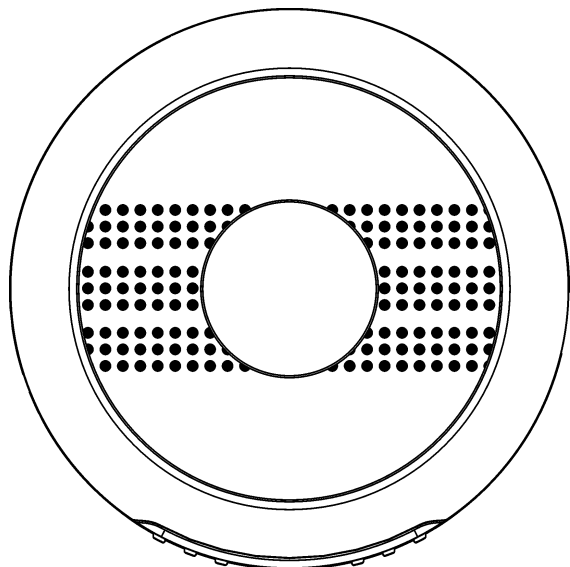


# SYLVANIA

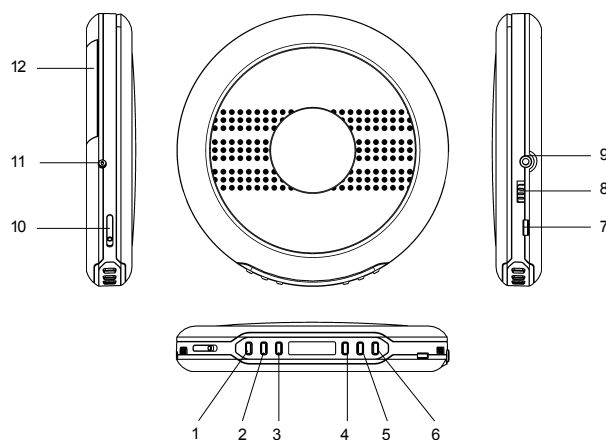
SCD 249

## PORTABLE COMPACT DISC PLAYER WITH SUPER BASS BOOST SYSTEM

LECTEUR DE DISQUE COMPACT PORTABLE  
AVEC SYSTÈME D'AMPLIFICATION DYNAMIQUE DES GRAVES



- INSTRUCTION MANUAL
- MODE D'EMPLOI



## ENGLISH

### LOCATION OF CONTROLS

- |                            |                                      |
|----------------------------|--------------------------------------|
| 1. PROG (PROGRAM)          | 7. VOLUME                            |
| 2. SKIP / SEARCH DOWN      | 8. B.B.S. BUTTON (BASS BOOST BUTTON) |
| 3. SKIP / SEARCH UP        | 9. HEADPHONE JACK                    |
| 4. PLAY / PAUSE (POWER ON) | 10. OPEN BUTTON                      |
| 5. STOP / OFF (POWER OFF)  | 11. DC JACK                          |
| 6. MODE                    | 12. BATTERY COMPARTMENT              |

### CAUTION

USE OF CONTROLS OR ADJUSTMENTS OR PERFORMANCE OF PROCEDURES OTHER THAN THOSE SPECIFIED HEREIN MAY RESULT IN HAZARDOUS RADIATION EXPOSURE. THIS SHOULD NOT BE ADJUSTED OR REPAIRED BY ANYONE EXCEPT QUALIFIED SERVICE PERSONNEL.

— 2 —

### PREPARATIONS BEFORE USING

#### Battery Installation

1. Open Battery Compartment cover.
2. Insert 2 batteries (LR6, "AA" size, or equivalent) in the correct polarity as indicated. (Batteries not included) (Heavy duty batteries are recommended.)
3. Close the cover properly.

#### AC Power Adaptor

1. Plug the DC output of the adaptor to the DC Jack.
2. Connect the adaptor (4.5V/500mA) to a power outlet. (Adaptor not included) Make sure the voltage is compatible.

### DISC PLAYING

This CD player is designed to play the 8cm and 12cm compact disc without using adaptor.

#### Getting Start

1. Insert the headphone/earphone plug to PHONE JACK.
2. Push the OPEN button to right, and then the door open, put a disc into the CD compartment with label side upward.
3. Push the disc gently around the centre area until it clicks so that the disc fits into the pivot. (To remove the disc: Pick up the disc, holding the edge, while pressing the pivot gently.)
4. Close the door and press the PLAY/PAUSE Button once.
5. The Display will show the total number of tracks of the disc, then begin to play the first track.

#### General Operation

- |                                    |   |
|------------------------------------|---|
| Play/Pause Buttons <b>▶   </b>     | — Press once to start playback in the original order.<br>Press again to stop the disc play temporarily. |
| Stop Button <b>■</b>               | — Press once to stop playback.<br>Press again to turn off power   |
| Skip / Search Buttons <b>◀◀ ▶▶</b> | — Press once to skip to next track <b>▶▶</b> or back to previous track <b>◀◀</b> .                      |
|                                    | — Press continuously to search forward <b>▶▶</b> or backward <b>◀◀</b> .                                |

#### Various Playing Modes

MODE Button — There are 3 kind of function:

##### A. Repeat Play

During PLAY mode

- Press the MODE button once to play single track repeatedly.
- The repeat indicator **↻ 1** will appear in the display.

During PLAY mode

- Press the MODE button twice to play the entire disc repeatedly.
- The repeat indicator **↻ ALL** will appear in the display.

**NOTE** - To cancel REPEAT simply press the MODE button until the repeat indicator disappears.

##### B. Intro Scan

In STOP mode

- Press the MODE button three times.
- The INTRO indicator will appear in the display.
- Press the PLAY button to play the first 10 seconds of each track on the disc.

**NOTE** - To cancel INTRO SCAN simply press the MODE button until the INTRO indicator disappears.

##### C. Random Play

In STOP mode

- Press the MODE button four times.
- The SHUF indicator will appear in the display.
- Press the PLAY button, all the tracks on a disc to be played in a random sequence.

**NOTE** - To cancel RANDOM PLAY simply press the MODE button until the SHUF indicator disappears.

#### Program Play

1. Press the PROG button when the unit is in the stop mode until PGM show on the display.
2. Press **▶▶** or **◀◀** to select the desired track.
3. Press the PROG button to enter the track into memory. The program numbers which will be incremented one step.
4. Repeat step 2 and 3 to program the order of more tracks can be programmed into memory.
5. Press **▶▶** to start the program play.
6. To erase the program, simply press the **■** STOP button to turn the power off.

### MAINTENANCE

#### Cleaning the Lens

If the lens becomes dusty, clean it with camera lens blower. Be careful not to scratch the surface of the lens.

#### Cleaning the Cabinet

From time to time, clean the cabinet with a soft dry cloth. For more stubborn stains, slightly moisten the cloth with water or a mild detergent solution. Never use benzene, alcohol or other solvents as they may damage the finish of the cabinet.

### SPECIFICATIONS

Output Power	: $\geq 20\text{MW}$ (32 $\Omega$ )
Freq. Response	: 100 ~ 20000 Hz
Power	: DC 4.5V external and size "AA" batteries, UM-3, HP-7, R6, 1.5V x 2
Dimensions	: 146mm(W) x 146mm(D) x 27mm(H)

— 3 —

— 4 —

\*\* For improvement purposes, specification and design are subject to change without notice. \*\*

## TROUBLE SHOOTING GUIDE

### Cleaning the Disc

When a disc becomes dirty, clean it with a cleaning cloth. Wipe the disc from the center out.

**Note** - Do not use solvents such as benzene, thinner, commercially available cleaners or anti-static spray intended for analogue discs.

\*\* Should you experience difficulties in the use of this player please refer to the following chart before contacting your dealer or the place of purchase.

Troubleshooting Guide	
Problem	Points to check
Player fails to function	<ul style="list-style-type: none"><li>• The disc may be inserted upside down.</li><li>• The disc not mounted correctly on the chuck.</li><li>• Dirty or a defective disc.</li><li>• Dirty pick up lens.</li><li>• Player lid not closed.</li><li>• Moisture condensation, allow the player to warm up to room temperature for 60 minutes.</li><li>• AC Power to an adaptor switched off.</li><li>• Auto power off has occurred, press PLAY button to restore power.</li><li>• Weak batteries.</li><li>• Hold switches at ON position, switch to OFF position.</li></ul>
No sound from Earphones	<ul style="list-style-type: none"><li>• Earphones' plug is not firmly inserted into the Phones socket.</li><li>• Earphones have been inserted into the line out socket.</li></ul>
No sound when played through an external amplifier	<ul style="list-style-type: none"><li>• Connection is incorrect.</li><li>• Power to an external amplifier not switched on.</li></ul>
Intermittent Sound	<ul style="list-style-type: none"><li>• Dirty or defective disc.</li><li>• Dirty pick up lens.</li><li>• The player is subject to excessive vibration or shock.</li><li>• Low battery power.</li><li>• Poor Earphone connection.</li></ul>

Instruction Manual (2 DIGITAL)

Version : English,FRENCH

Size : 98mm (W) x 137mm (H)

Date : 08-09-2003

Drawn By : PUN

PATH : CLIENT9900-1 \ SYLVANIA \ DM2516-1(0) \  
MANUAL \ DM2516-1(0).P65

## Free Manuals Download Website

<http://myh66.com>

<http://usermanuals.us>

<http://www.somanuals.com>

<http://www.4manuals.cc>

<http://www.manual-lib.com>

<http://www.404manual.com>

<http://www.luxmanual.com>

<http://aubethermostatmanual.com>

Golf course search by state

<http://golfingnear.com>

Email search by domain

<http://emailbydomain.com>

Auto manuals search

<http://auto.somanuals.com>

TV manuals search

<http://tv.somanuals.com>