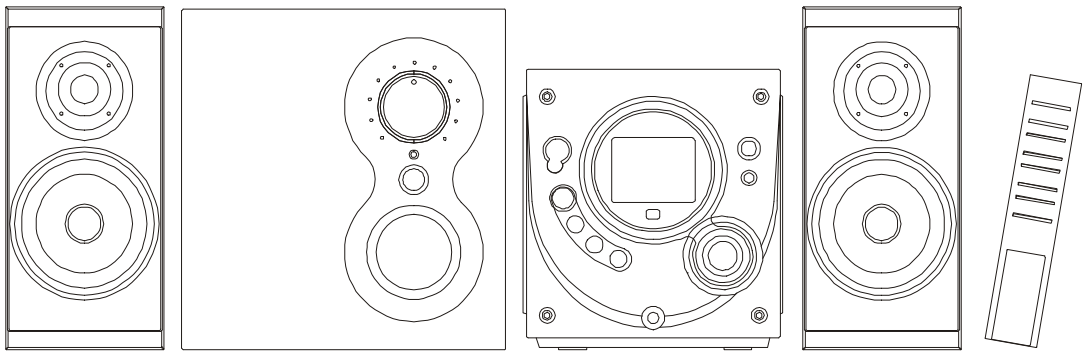


# **SYLVANIA**

## **STEREO MICRO HI-FI SYSTEM**

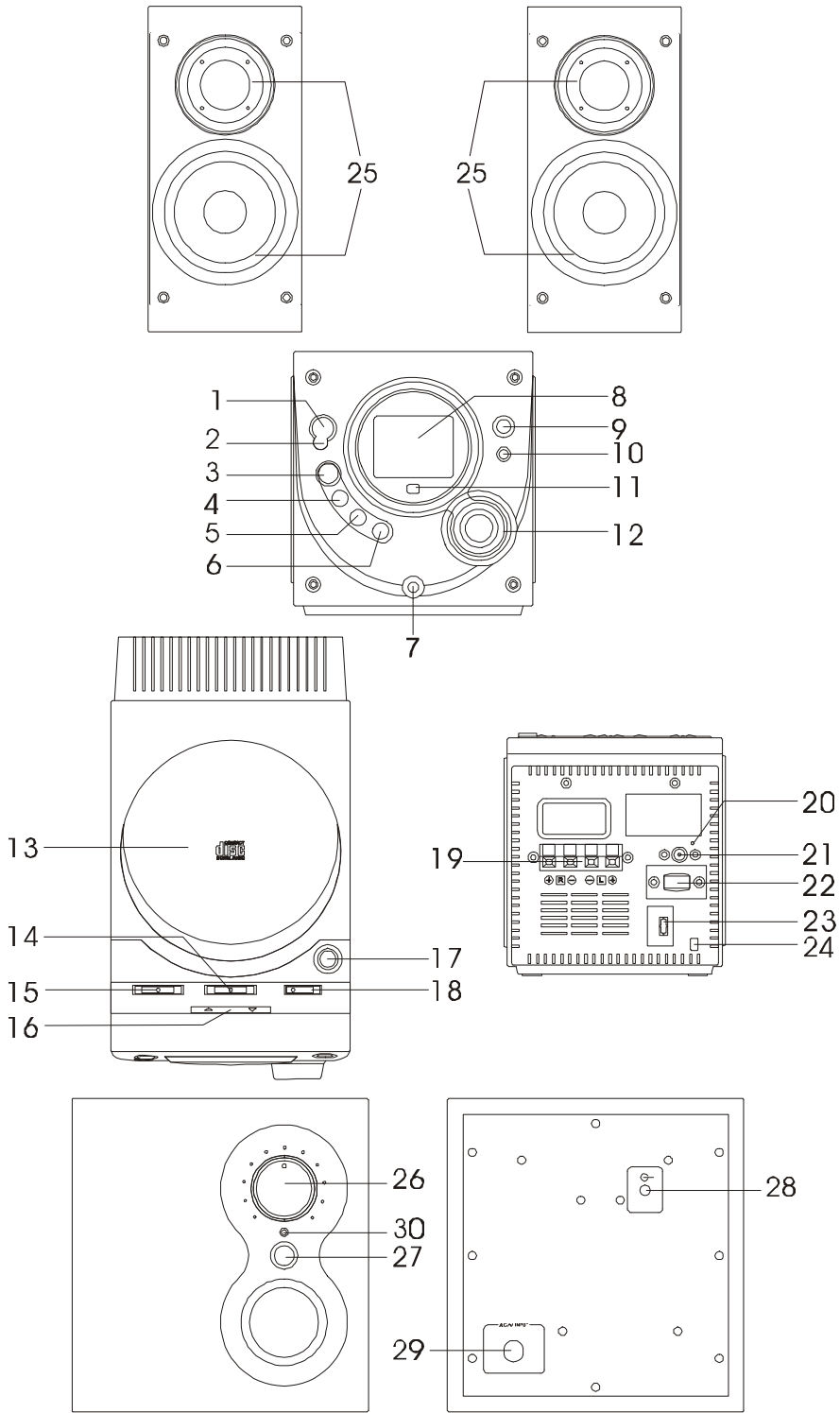
**MODEL NO.: SR-748**



### **INSTRUCTION MANUAL**





# MAIN UNIT SPEAKER & SUBWOOFER



# WARNING

TO PREVENT FIRE OR SHOCK HAZARD, DO NOT USE THIS PLUG WITH AN EXTENSION CORD, RECEPTACLE OR OTHER OUTLET UNLESS THE BLADES CAN BE FULLY INSERTED TO PREVENT BLADE EXPOSURE. TO PREVENT FIRE OR SHOCK HAZARD, DO NOT EXPOSE THIS APPLIANCE TO RAIN OR MOISTURE.

 <p>The lightning flash with arrow-head symbol, within an equilateral triangle is intended to alert the user to the presence of uninsulated 'dangerous voltage' within the product's enclosure that may be of sufficient magnitude to constitute a risk of electric shock to persons.</p>	<table border="1"><tr><td><b>WARNING</b></td></tr><tr><td>RISK OF ELECTRIC SHOCK DO NOT OPEN</td></tr></table> <p><b>CAUTION: TO REDUCE THE RISK OF ELECTRIC SHOCK DO NOT REMOVE COVER (OR BACK), NO USER SERVICEABLE PARTS INSIDE REFER SERVICING TO QUALIFIED SERVICE PERSONNEL.</b></p>	<b>WARNING</b>	RISK OF ELECTRIC SHOCK DO NOT OPEN	 <p>The exclamation point within an equilateral triangle is intended to alert the user to the presence of important operating and maintenance (servicing) instructions in the literature accompanying the appliance.</p>
<b>WARNING</b>				
RISK OF ELECTRIC SHOCK DO NOT OPEN				

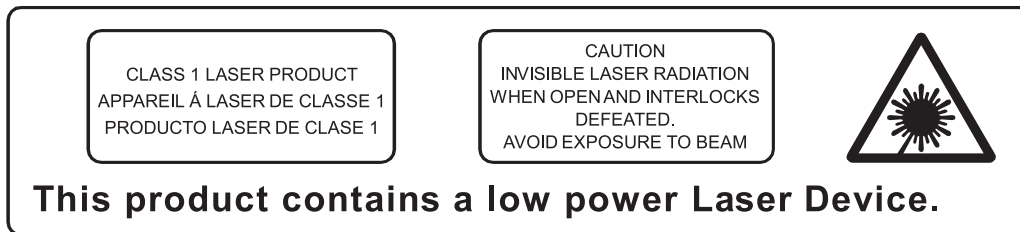
## IMPORTANT SAFETY INSTRUCTIONS

- 1.) Read these instructions.
- 2.) Keep these instructions.
- 3.) Heed all warnings.
- 4.) Follow all instructions.
- 5.) Do not use this apparatus near water.
- 6.) Clean only with dry cloth.
- 7.) Do not block any ventilation openings. Install in accordance with the manufacturer's instructions.
- 8.) Do not install near any heat sources such as radiators, heat registers, stoves, or other apparatus (including amplifiers) that produce heat.
- 9.) Do not defeat the safety purpose of the polarized or grounding-type plug. A polarized plug has two blades with one wider than the other. A grounding type plug has two blades and a third grounding prong. The wide blade or the third prong are provided for your safety. If the provided plug does not fit into your outlet, consult an electrician for replacement of the obsolete outlet.
- 10.) Protect the power cord from being walked on or pinched particularly at plugs, convenience receptacles, and the point where they exit from the apparatus.
- 11.) Only use attachments / accessories specified by the manufacturer.
- 12.) Unplug this apparatus during lightning storms or when unused for long periods of time.
- 13.) Refer all servicing to qualified service personnel. Servicing is required when the apparatus has been damaged in any way, such as power-supply cord or plug is damaged, liquid has been spilled or objects have fallen into the apparatus, the apparatus has been exposed to rain or moisture, does not operate normally, or has been dropped.
- 14.) This appliance shall not be exposed to dripping or splashing water and that no object filled with liquids such as vases shall be placed on the apparatus.
- 15.) Do not overload wall outlet. Use only power source as indicated.
- 16.) Use replacement parts as specified by the manufacturer.
- 17.) The product may be mounted to a wall only if recommended by the manufacturer.
- 18.) Upon completion of any service or repairs to this product, ask the service technician to perform safety checks.

## IMPORTANT NOTES

- Avoid installing this unit in places exposed to direct sunlight or close to heat radiating appliances such as electric heaters, on top of other stereo equipment that radiates heat, places lacking ventilation or dusty areas, places subject to constant vibration and/or humid or moist areas.
- Do not attempt to clean this unit with chemical solvents as this might damage the finish. Use a clean dry cloth.
- Operate controls and switches as described in the manual.
- Before turning on the power, make certain that the connecting cords and power cord are properly installed.
- Store your CDs in a cool area to avoid damage from heat.
- When moving the set, be sure to first disconnect the power cord and remove cords connected to other equipment.

### CLASS 1 LASER PRODUCT



### FCC INFORMATION

This equipment has been tested and found to comply with the limits for a Class B digital device, pursuant to Part 15 of the FCC Rules. These limits are designed to provide reasonable protection against harmful interference in a residential installation. This equipment generates, uses, and can radiate radio frequency energy and, if not installed and used in accordance with the instructions, may cause harmful interference to radio communications. However, there is no guarantee that interference will not occur in a particular installation. If this equipment does cause harmful interference to radio or television reception, which can be determined by turning the equipment off and on, the user is encouraged to try to correct the interference by one or more of the following measures:

- Reorient or relocate the receiving antenna.
- Increase the separation between the equipment and receiver.
- Connect the equipment into an outlet on a circuit different from that to which the receiver is connected.
- Consult the dealer or an experienced radio/TV technician for help.

This device complies with Part 15 of the FCC Rules. Operation is subject to the following two conditions:

- (1) This device may not cause harmful interference, and
- (2) This device must accept any interference received, including interference that may cause undesired operation.

---

To achieve the utmost in enjoyment and performance, please read this manual carefully before attempting to operate the unit in order to become familiar with its features, and assure you years of faithful, trouble free performance and listening pleasure.

### Important Notes

- \* Keep instructions the safety and operating instructions should be retained for future reference.
- \* Avoid installing the unit in locations described below:
  - Places exposed to direct sunlight or close to heat radiating appliances such as electric heaters.
  - On top of other stereo equipment that radiate too much heat.
  - Places lacking ventilation or dusty places.
  - Places subject to constant vibration.
  - Humid or moist places.
- \* Make sure not to obstruct the ventilation opening.
- \* Operate turning controls and switches as instructed in the manual.
- \* Before turning on the power for the first time, make certain the power cord is properly installed.
- \* Store your tapes or CD in a cool area to avoid damage from heat.

For safety reasons, do not remove any covers or attempt to gain access to the inside of the product. Refer any servicing to qualified personnel.

Do not attempt to remove any screws, or open the casing of the unit; there are no user serviceable parts inside, refer all servicing to qualified service personnel.



**CAUTION :** TO REDUCE THE RISK OF ELECTRIC SHOCK DO NOT REMOVE COVER(OR BACK), NO USER SERVICEABLE PARTS INSIDE, REFER SERVICING TO QUALIFIED SERVICE PERSONNEL.



### DANGEROUS VOLTAGE

Conductor dangerous voltage, that may be of sufficient magnitude to constitute a risk of electric shock to persons is present within this product's enclosure.



### ATTENTION

The owner's manual contains important operating and maintenance instructions, for your safety, it is necessary to refer to the manual.

**WARNING :** TO PREVENT FIRE OR SHOCK HAZARD, DO NOT EXPOSE THIS APPLIANCE TO DRIPPING OR SPLASHING.

### Note:

This unit will become warm when used for a long period of time. This is normal and does not indicate a problem with the unit.

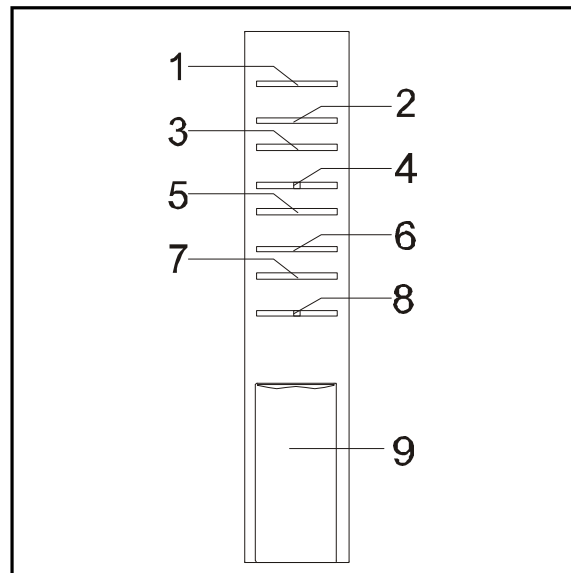
This CD player includes micro-processors which may malfunction as a result of external electrical interference or noise. If the CD player is not working properly, disconnect the power source and then reconnect it.

## FEATURES AND CONTROLS

1. SKIP / SEARCH UP BUTTON
2. SKIP / SEARCH DOWN BUTTON
3. PLAY / PAUSE BUTTON
4. STOP BUTTON
5. REPEAT BUTTON
6. PROGRAM BUTTON
7. PHONES JACK BUTTON
8. LCD DISPLAY WINDOW
9. POWER BUTTON
10. MUTE BUTTON
11. IR SENSOR
12. TUNING KNOB
13. CD DOOR
14. AM / FM / FM.ST SWITCH
15. CD / RADIO SWITCH
16. VOLUME UP / DOWN BUTTON
17. CD DOOR OPEN BUTTON
18. X-BASS ON / OFF SWITCH
19. SPEAKER TERMINALS
20. FM ANTENNA
21. SUBWOOFER LINE-OUT
22. AC POWER MAIN SWITCH
23. 110V / 220V DUAL VOLTAGE (OPTIONAL)
24. AC CORD
25. SPEAKER
26. SUBWOOFER VOLUME UP / DOWN BUTTON
27. SUBWOOFER POWER ON / OFF BUTTON
28. SUBWOOFER LINE-OUT JACK
29. DUAL VOLTAGE SWITCH
30. SUBWOOFER POWER STANDBY INDICATOR

## REMOTE CONTROL

1. POWER BUTTON
2. PLAY / PAUSE BUTTON
3. STOP BUTTON
4. SKIP / SEARCH DOWN / UP BUTTON
5. REPEAT BUTTON
6. RANDOM BUTTON
7. MUTE BUTTON
8. VOLUME DOWN / UP BUTTON
9. BATTERY DOOR



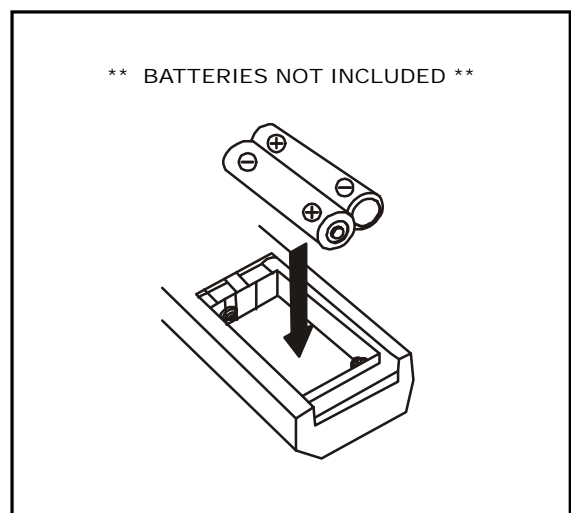
## PUTTING THE BATTERIES INTO THE REMOTE CONTROL UNIT

Press down of the compartment cover, and slide the cover off open the compartment.

Place the two (UM3), (AA), (R6) batteries in the remote control according to the polarity markings ("+" and "-") inside the compartment and on the batteries.

Place the cover over the compartment, press down lightly, and push it upward until it snaps on.

**NOTE :** Replace all batteries at the same time. Remove the batteries the remote control is not in use for long periods, don't mix normal batteries with rechargeable batteries, when the batteries become weak, remote control will be not functioned, replace with new batteries if above happened.



---

## INSTALLING THE SPEAKER WIRE TO THE SPEAKER TERMINALS

### 1. **Speakers Connection**

Extend the SPEAKER WIRES and connect them to the SPEAKER TERMINALS.

### 2. **Power Cord Connection**

Before using, connect the AC Power Cord to the AC outlet, then turn on the main switch of the unit.

## INSTALLING THE SUBWOOFER WIRE TO THE SBB LINE IN TERMINALS

### 1. **Subwoofer Connection**

Extend the SUBWOOFER WIRE and connect it to the SBB LINE IN TERMINAL.

### 2. **Power Cord Connection**

Before using, connect the AC Power Cord to the AC outlet, then turn on the main switch of the SUBWOOFER.

## OPERATING THE UNIT

When you first plug the unit into the AC outlet, the unit will be in standby mode. You can press the POWER button on the unit (or on the remote control) to switch the unit ON and OFF. Pull the AC plug out of the wall socket if you want to switch off completely.

## ADJUSTING THE SOUND

Press the volume +/- buttons to set the sound level. For increased bass at all volume levels, switch the BASS SWITCH on to boost the low frequency sound. To mute the sound, press MUTE button and the "POWER" indicator will flash. To resume the sound, press the MUTE button again or just press the volume +/- button to disable the MUTE function.

## LISTEN TO THE MUSIC BY USING HEADPHONE

A stereo headphone jack is provided for private listening. To listen to the unit with headphones (not included) insert the 3.5mm mini-stereo plug from the headphones into the PHONES jack on the front panel. The external speakers are automatically disconnected when headphones are in use.

## RADIO OPERATION

Set the FUNCTION switch to RADIO.


### **FM**

Select FM mode band selector switch. Turn the TUNING control to select the required station. The FM stereo indicator light will show a stereo broadcast is being received. Fully extend the FM antenna and adjust its direction for best FM reception.

### **AM**

Select AM on band selector switch. Turn the TUNING control to select the required station. For operation on AM the set control a built-in ferrite aerial which is directional. Therefore, the set should be positioned for the best signal strength.

### **FM STEREO RECEPTION**

For reception of a FM stereo broadcast station, set the AM / FM / FM ST. switch to FM ST. position. The "  " will indicate on the LCD display when a FM STEREO broadcast is being received.

### **FM ANTENNA**

FM antenna wire for better FM reception.

---

## LISTENING TO COMPACT DISC (CD)

The LCD indicator always shown the tracks of a disc or program which are still to be played. It works in all modes, in stop mode, all tracks of the disc or the program are shown.

### Playing The Entire Disc

1. Playback will start by pressing PLAY/PAUSE, the "▶" indicator then appears.  
Playback starts with the first track. The display shown the current track number and its elapsed time.
2. To interrupt playback, press PLAY/PAUSE. The "▶" indicator will flash.
3. To resume playback, press PLAY/PAUSE again.
4. To stop playback, press STOP.

### Selection A Different Track During Play

1. Press SKIP/SEARCH button on the unit (or remote), the required track number appears in the display.
2. Press PLAY/PAUSE button to starting playing. Starting again with the track that is currently playing.

### Starting Again With The Track That Is Currently Playing

1. Press SKIP F.R. once.
2. The track will be started again from the beginning.

### Stopping Play

1. Press STOP if you wish to stop play. The disc and track number which can be played will now appear in the display.
2. Open the CD door on the unit to remove the CD.

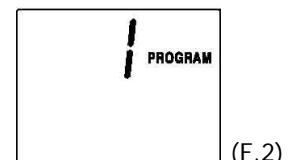
## PROGRAMMED PLAYBACK

Up to 20 tunes can be programmed for listening and played.

1. Press the PROG button.(F.1)
2. Select the desired track number using the SKIP/SEARCH button on the unit (or remote).(F.2)
3. Press the PROG button to memories the track selection.
4. Repeat steps 1 and 3 as to memories up to 20 tracks.
5. Press PLAY / PAUSE button, to play starts with the first track of the program.
6. To stop playing, press the STOP button.
7. Opening the door clears all programmes.



(F.1)



(F.2)

## RANDOM PLAY (for Remote Handset)

1. Press the RANDOM button once, and the "RANDOM" indicator will light up.
2. Press the PLAY / PAUSE button to start playing. The tracks will be played randomly.
3. To cancel random play, either press the STOP button twice or press the RANDOM button once again, until the "RANDOM" indicator disappeared.

## REPEAT PLAY

1. When playing CD, if repeat the same track only, press the REPEAT button once and the "REPEAT" indicator will light up and flash.
2. If you desire to repeat all, press REPEAT button twice and the "REPEAT" indicator will light up and not flash.
3. To cancel repeat play, press the STOP button twice until the repeat indicator disappeared.



---

## COMPACT DISC

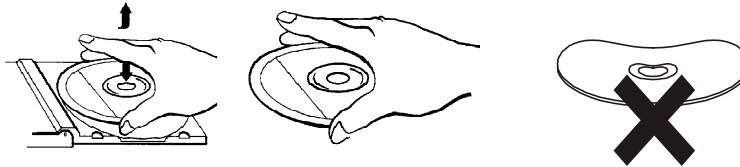
1. Always use compact discs bearing the mark as shown.



2. Notes on handling discs

Removing the disc from its storage case and loading it.

- \* Do not touch the reflective recorded surface.
- \* Do not stick paper or write anything on the surface.
- \* Do not bend the disc.



3. Storage

- \* Store the disc in its case.
- \* Do not expose discs to direct sunlight or high temperatures, high humidity or dusty places.

4. Cleaning a disc

- \* Should the disc become soiled, wipe off dust, dirt and fingerprints with a soft cloth.
- \* The disc should be cleaned from the center to the edge.

FROM THE CENTRE TO THE EDGE



CORRECT

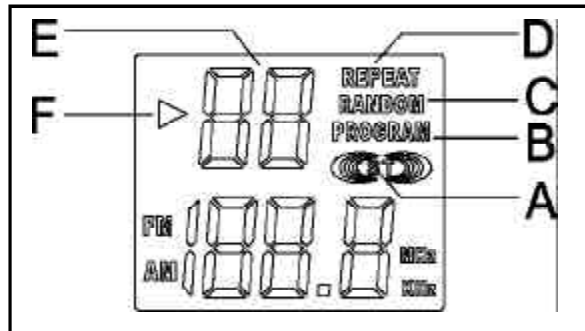


INCORRECT

- \* Never use benzene, thinners, record cleaner fluid or anti static spray.
- \* Be sure to close the CD door so the lens is not contaminated by dust.
- \* Do not touch the lens.

## CD DISPLAY WINDOW

- A. STEREO INDICATOR
- B. PROGRAM INDICATOR
- C. RANDOM INDICATOR
- D. REPEAT INDICATOR
- E. TRACK NUMBER INDICATOR
- F. PLAY INDICATOR



## SPECIFICATION

POWER SUPPLY :	AC 120V~ 60Hz
SUBWOOFER :	20WRMS
OUTPUT POWER :	4.5 WATTS x 2
UNIT DIMENSION :	135 (L) x 253 (W) x149 (H) mm
SPEAKER BOX DIMENSION :	90 (L) x 225 (W) x 190 (H) mm
N. W.:	4.2 kg

### RADIO SECTION

FREQUENCY RANGE :	FM 87.5 - 108 MHz
	AM 530 - 1710 kHz

### COMPACT DISC SECTION

OPTICAL PICKUP :	3 - BEAM LASER
FREQUENCY RESPONSE :	100Hz - 16kHz

**SPECIFICATION SUBJECT TO CHANGE WITHOUT FURTHER NOTICE.**

### Dripping warning :

" The product shall not be exposed to dripping or splashing and that no objects filled with liquids, such as vases, shall be placed on the product."

### Ventilation warning :

" The normal ventilation of the product shall not be impeded for intended use."

## Free Manuals Download Website

<http://myh66.com>

<http://usermanuals.us>

<http://www.somanuals.com>

<http://www.4manuals.cc>

<http://www.manual-lib.com>

<http://www.404manual.com>

<http://www.luxmanual.com>

<http://aubethermostatmanual.com>

Golf course search by state

<http://golfingnear.com>

Email search by domain

<http://emailbydomain.com>

Auto manuals search

<http://auto.somanuals.com>

TV manuals search

<http://tv.somanuals.com>