

SYLVANIA

**Micro System CD Player
with Clock Radio**

MODEL: SRCD5670



**INSTRUCTION MANUAL
Operating Instructions**

**READ THIS INSTRUCTION MANUAL BEFORE
CONNECTING OR OPERATING THIS
APPLIANCE. SAVE THIS INSTRUCTION
MANUAL FOR FUTURE REFERENCE.**

SAFETY INSTRUCTION



CAUTION
RISKS OF ELECTRIC
SHOCK
DO NOT OPEN



CAUTION: TO REDUCE THE RISK OF ELECTRIC SHOCK, DO NOT REMOVE COVER (OR BACK). NO USER-SERVICEABLE PARTS INSIDE. REFER SERVICING TO QUALIFIED SERVICE PERSONNEL.



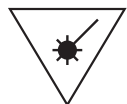
DANGEROUS VOLTAGE:

The lightning flash with arrowhead symbol, within an equilateral triangle is intended to alert the user to the presence of uninsulated dangerous voltage within the product's enclosure that may be of sufficient magnitude to constitute a risk of electric shock to persons.



ATTENTION:

The exclamation point within an equilateral triangle is intended to alert the user to the presence of important operating and maintenance (servicing) instructions in the literature accompanying the appliance.



DANGER:

Invisible and hazardous laser radiation when open and interlock failed or defeated. Avoid direct exposure to beam.

LASER SAFETY: This unit employs a laser. Only qualified service personnel should attempt to service this device due to possible eye injury.
CAUTION: USE OF CONTROLS, ADJUSTMENTS OR PERFORMANCE PROCEDURE HEREIN MAY RESULT IN HAZARDOUS RADIATION EXPOSURE.

SURGE PROTECTORS:
It is recommended to use a surge protector for AC connection. Lightning and power surges ARE NOT covered under warranty for this product.

FCC WARNING:
This equipment may generate or use radio frequency energy. Changes or modifications to this equipment may cause harmful interference unless the modifications are expressly approved in the instruction manual. The user could lose the authority to operate this equipment if an unauthorized change or modification is made.

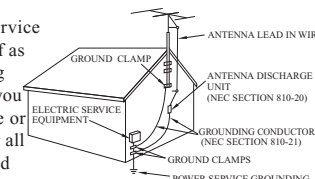
INFORMATION:
This equipment has been tested and found to comply with the limits for a Class B digital device, pursuant to Part 15 of the FCC Rules. These limits are designed to provide reasonable protection against harmful interference in a residential installation. This equipment generates, uses and can radiate radio frequency energy and, if not installed and used in accordance with the instructions, may cause harmful interference to radio communications. However, there is no guarantee that interference will not occur in a particular installation. If this equipment does cause harmful interference to radio or television reception, which can be determined by turning the equipment off and on, the user is encouraged to try to correct the interference by one or more of the following measures:

- Reorient or relocate the receiving antenna.
- Increase the separation between the equipment and receiver.
- Connect the equipment into an outlet on a circuit different from that to which the receiver is connected.
- Consult the dealer or an experienced radio/TV technician for help.

Before using the unit, be sure to read all operating instructions carefully. Please note that these are general precautions and may not pertain to your unit. For example, this unit may not have the capability to be connected to an outdoor antenna.

- 1. Read these instructions.**
All the safety and operating instructions should be read before the product is operated.
- 2. Keep these instructions.**
The safety and operating instructions should be retained for future reference.
- 3. Heed all warnings.**
All warnings on the product and in the operating instructions should be adhered to.
- 4. Follow all instructions.**
All operating and use instructions should be followed.
- 5. Do not use this apparatus near water.**
Do not use this product near water and moisture, for example: near a bathtub, washbowl, kitchen sink or laundry tub; in a wet basement; or near a swimming pool.
- 6. Clean only with dry cloth.**
Unplug this product from the wall outlet before cleaning. Do not use liquid cleaners or aerosol cleaners. Use a dry cloth for cleaning.
- 7. Do not block any ventilation openings. Install in accordance with the manufacturer's instructions.**
Slots and openings in the cabinet and in the back or bottom are provided for ventilation, to ensure reliable operation of the product and to protect it from overheating. These openings must not be blocked or covered. The openings should never be blocked by placing the product on a bed, sofa, rug or other similar surface. This product should never be placed near or over a radiator or heat source. This product should not be placed in a built-in installation such as a bookcase or rack unless proper ventilation is provided or the manufacturer's instructions have been adhered to.
- 8. Do not install near any heat sources such as radiators, heat registers, stoves, or other apparatus (including amplifiers) that produce heat.**
- 9. Do not defeat the safety purpose of the polarized or grounding-type plug. A polarized plug has two blades with one wider than the other. A grounding type plug has two blades and a third grounding prong. The wide blade or the third prong are provided for your safety. If the provided plug does not fit into your outlet, consult an electrician for replacement of the obsolete outlet.**
- 10. Protect the power cord from being walked on or pinched particularly at plugs, convenience receptacles, and the point where they exit from the apparatus.**
- 11. Only use attachments/accessories specified by the manufacturer.**
- 12. Use only with the cart, stand, tripod, portable cart warning (symbol provided by RETAC), bracket, or table specified by the manufacturer, or sold with the apparatus. When a cart is used, use caution when moving the cart/ apparatus combination to avoid injury from tip-over.**
An appliance and cart combination should be moved with care. Quick stops, excessive force and uneven surfaces may cause the appliance and cart combination to overturn.
- 13. Unplug this apparatus during lightning storms or when unused for long periods of time.** To protect your product from a lightning storm, or when it is left unattended and unused for long periods of time, unplug it from the wall outlet and disconnect the antenna or cable system. This will prevent damage to the product due to lightning and power-line surges.

- 14. Refer all servicing to qualified service personnel. Servicing is required when the apparatus has been damaged in any way, such as power-supply cord or plug is damaged, liquid has been spilled or objects have fallen into the apparatus, the apparatus has been exposed to rain or moisture does not operate normally, or has been dropped.**
- 15. Power source.**
This product should be operated only from the type of power source indicated on the marking label. If you are not sure of the type of power supply to your home, consult your appliance dealer or local power company. For products intended to operate from battery power, or other source, refer to the operation instructions.
- 16. Power lines.**
An outside antenna system should not be located in the vicinity of overhead power lines or other electric light or power circuits, or where it can fall into such power lines or circuits. When installing an outside antenna system, extreme care should be taken to keep from touching such power lines or circuits as contact with them might be fatal.
- 17. Overloading.**
Do not overload wall outlets and extension cords as this can result in a risk of fire or electric shock.
- 18. Object and liquid entry.**
Never push objects of any kind into this product through openings as they may touch dangerous voltage points or short out parts that could result in fire or electric shock. Never spill or spray any type of liquid on the product.
- 19. Outdoor antenna grounding.**
If an outside antenna is connected to the product, be sure the antenna system is grounded so as to provide some protection against voltage surges and built up static charges. Section 810 of the National Electric Code ANSI/NFPA 70 provides information with respect to proper to grounding of the mast and supporting structure, grounding of the lead-in wire to an antenna discharge product, size of grounding conductors, location of antenna-discharge product, connection to grounding electrodes and requirements for the grounding electrodes.
- 20. Service.**
Do not attempt to service this product yourself as opening or removing covers may expose you to dangerous voltage or other hazards. Refer all servicing to qualified service personnel.
- 21. Replacement parts.**
When replacement parts are required, be sure the service technician uses replacement parts specified by the manufacturer or those that have the same characteristics as the original parts. Unauthorized substitutions may result in fire or electric shock or other hazards.
- 22. Safety check.**
Upon completion of any service or repairs to this product, ask the service technician to perform safety checks to determine that the product is in proper operation condition.
- 23. Wall or ceiling mounting.**
The product should be mounted to a wall or ceiling only as recommended by the manufacturer.

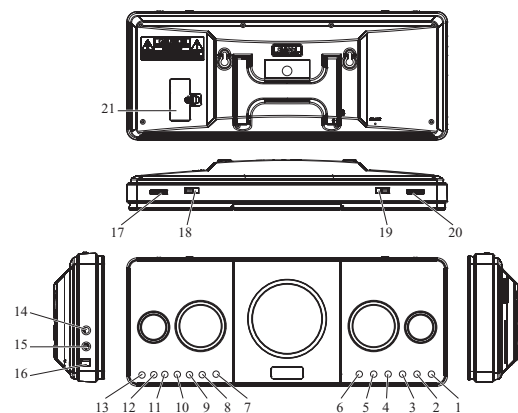


EXAMPLE OF ANTENNA GROUNDING AS PER

- 24. Damage requiring service.**
Unplug this product from the wall outlet and refer service to qualified service personnel under the following conditions.
 - a) When the power-supply cord or plug is damaged.
 - b) If liquid has been spilled or objects have fallen into the product.
 - c) If the product has been exposed to rain or water.
 - d) If the product does not operate normally by following the operating instructions.
Adjust only those controls that are covered by the operating instructions, as an adjustment of other controls may result in damage and will and require extensive work by a qualified technician to restore in the product to its normal operation.
 - e) If the product has been dropped or the cabinet has been damaged.
 - f) When the product exhibits a distinct change in performance-this indicates a need for service.
- 25. Note to CATV system installer.**
This reminder is provided to call the CATV system installer's attention to Article 820-40 of the NEC that provides guidelines for proper grounding and, in particular, specifies that the cable ground shall be connected to the grounding system of the building, as close to the point of cable entry as practical.

NOTE: Refer all servicing to qualified service personnel. Servicing is required when the unit has been damaged in any way such as the following: the power-supply cord or plug has been damaged, liquid has been spilled into the unit, the unit has been exposed to rain or moisture, the unit has been dropped or the unit does not operate normally.

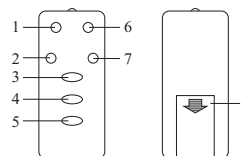
LOCATION OF CONTROLS



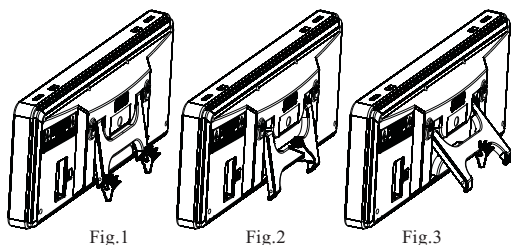
1. Power Button
2. AL. On/Off Button
3. Minute Button
4. Hour Button
5. Time Set Button
6. AL.Set Button
7. Play/Pause Button
8. Stop Button
9. Skip+ Button
10. Skip- Button
11. Repeat Button
12. Prog. Button
13. Eject Button
14. Aux in Jack
15. Phone Jack
16. DC Jack
17. Volume Control Knob
18. Function Switch (Buzz/CD/Radio/Aux)
19. Band Switch
20. Tuning Control Knob
21. Battery Compartment (for clock backup)

REMOTE CONTROL

1. Stop button
2. Skip/search backward button
3. Eject button
4. Program button
5. Repeat button
6. Play/Pause button
7. Skip/search forward button
8. Battery compartment (batteries not included)

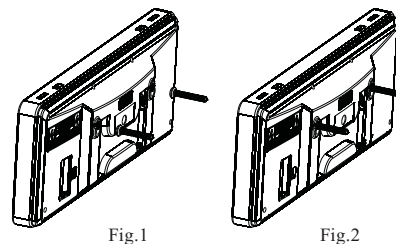


HOW TO USE THE STAND



1. Open the stand located at the back cabinet. (Fig.1)
2. Slide down the stand to the end. (Fig.2)
3. Open the stand again to the end and then the stand can support the unit well.(Fig.3)

WALL MOUNT



1. Drill two holes through Wall for mounting screws (not included) as indicated in Fig.1
2. Screw lower mount to wall,Choose appropriate mounting screws(not included) for wall material
3. Hang up the unit as indicated in fig.2 .

UNIT POWER SUPPLY

This unit is designed to operate on wither AC/DC adaptor.

Operation with AC/DC Adaptor

Insert the small plug of adaptor into the DC Jack.
Insert the AC/DC adaptor into any convenient having 120V~AC, 60Hz household outlet in vertical or horizontal direction.

CLOCK SETTING

1. Touch and hold Time Set Button to set the clock
2. Touch Hour Button or Minute Button respectively to set the correct time

ALARM TIME SETTING

1. Touch and hold AL. SET button to set the Alarm time
 2. Touch Hour Set Button or Min Set Button respectively.
 3. Touch the AL. ON/OFF button to turn on the Alarm Function. The alarm icon appears.
- Note.** To turn off the alarm, press the AL.ON/OFF button again.

WAKE UP ALARM (RADIO, BUZZER, CD, AUX)

- FOR RADIO ALARM**
1. Slide the RADIO/BUZZ/CD/AUX switch to "RADIO" position.
 2. Slide the AM/FM switch to FM or AM position
 3. Tune in to a desired station using the Tuning Control.
 4. Adjust the volume by rotating the VOLUME CONTROL KNOB
 5. The radio will sound at the set alarm time.

FOR CD ALARM:

1. Slide the RADIO/BUZZ/CD/AUX switch to "CD" position.
2. Adjust the volume by rotating the VOLUME CONTROL KNOB.
3. The CD will sound at the set alarm time playing the first track on the CD.
4. To deactivate the alarm (CD playing), press either the STOP/ADJ button or press the AL.ON/OFF button

FOR BUZZER ALARM:

1. Slide the RADIO/BUZZ/CD/AUX switch to "BUZZ" position.
2. The alarm buzzer will sound at the set alarm time.

FOR AUX ALARM:

1. Slide the RADIO/BUZZ/CD/AUX switch to "AUX" position.
2. The Aux will sound at the set alarm

LISTENING TO THE RADIO

1. Slide the RADIO/BUZZ/CD/AUX switch to "RADIO" position.
2. Press "Power" Button
3. Slide the AM/FM switch to FM or AM position
4. Turn Tuning Knob to tune in desired radio station.
5. Adjust the volume by the Volume Control Knob.

LISTENING TO THE CD

- PLAYING A CD**
1. Slide the RADIO/BUZZ/CD/AUX switch to "CD" position.
 2. Press "Power" Button.
 3. Touch the Eject Button to open the CD Door,
 4. Insert a CD with the label facing up.
 5. Touch the Eject Button to close the CD Door
 6. Press PLAY/PAUSE button to start CD playback from the first track.
 7. Press once more PLAY/PAUSE button to momentarily pause
 8. To stop the playback, Press STOP button.

SKIPPING TRACKS

Touch during play.
Backward-----SKIP -
Fast Forward-----SKIP +

SEARCHING TRACKS

Touch and hold during play
Backward----- SKIP -
Fast Forward----- SKIP +

PROGRAMMED PLAYBACK

- Up to 20 tracks can be programmed to play in any desired sequence.
1. Touch Program Button until "PROG." flashes in display.
 2. Press SKIP + Button or SKIP - Button to select a desired track to be memorized.
 3. Press Program Button to program the track.
 4. Repeat steps 2 and 3 to program tracks.
 5. Press PLAY/PAUSE button to start playing.
- To cancel program play, Press STOP button twice.

REPEAT PLAY

To Repeat Single Track
Press Repeat Button while the track you want to repeat is playing. The "RPT 1" will appear in display.
-----To repeat another track, press SKIP + Button or SKIP - Button.
-----To cancel repeat play, Press Repeat Button twice.

TO REPEAT ALL THE TRACKS

Press Repeat Button twice during play. The "RPT ALL" will appear in display.
-----All tracks will be played through in sequence and then the sequence will be repeated continuously.
-----To cancel repeat play, press Repeat Button once.

AUX INPUT JACK

1. Slide the Function Switch to AUX position.
2. Press "Power" Button.
3. Connect the AUX connect wire from the out jack of your Personal Player such as portable MP3 player to the AUX input jack.
4. Turn on your Personal Player to begin playing, adjust the volume to desire listening level.

HEADPHONE JACK

This unit will accept stereo headphones with a Ø 3.5mm plug. Before connecting the headphones set the volume to minimum level as not to damage your ears or the headphones. Connect the headphones to the headphones jack. The speakers will be automatically disconnected.
Warning: Prolonged exposure to high sound levels may permanently damage your hearing. You may not hear some warning sound while wearing these headphones.

TROUBLESHOOTING

Consult your local service technician if you are unable to find a solution by following these hints.

Symptom	Possible Cause	Solution
Radio		
Noise or sound is distorted on AM or FM broadcasts	Channel is not tuned properly for AM or FM	Fine tune the AM or FM broadcast station
	FM: The FM antenna wire is not aextended	Extend the FM antenna fully
	AM: The built-in ferrite bar antenna is not positioned correctly	Reposition/ rotate the unit until the best reception is obtained
	The station signal is too weak	Retune to another FM station
No sound in AM or FM	The unit is not in TUNER mode	Slide the FUNCTION switch to TUNER mode
	Volume is at the minimum position	Adjust the volume level
CD Player		
CD player does not play	The unit is not in CD mode	Slide the FUNCTION button CD mode
	CD is not placed or placed incorrectly	Load disc with unlabelled side facing downwards
CD skips while playing	Disc is dirty or scratched	Clean disc with cloth or use another disc
Touch function is not right	This touch operation is not right	This touch operation is right

SPECIFICATION

- Power Supply..... DC 9V 800mA
- Power Adaptor..... AC 120V ~ 60Hz Output: DC 9V 800mA
- Back up..... DC 3V (2 x 1.5V "AAA" size batteries not included)
- Radio Frequency Range... FM: 88 – 108 MHz
AM: 530 – 1700 KHz

Free Manuals Download Website

<http://myh66.com>

<http://usermanuals.us>

<http://www.somanuals.com>

<http://www.4manuals.cc>

<http://www.manual-lib.com>

<http://www.404manual.com>

<http://www.luxmanual.com>

<http://aubethermostatmanual.com>

Golf course search by state

<http://golfingnear.com>

Email search by domain

<http://emailbydomain.com>

Auto manuals search

<http://auto.somanuals.com>

TV manuals search

<http://tv.somanuals.com>