



SysKonnnect SK-98xx V2.0 Gigabit Ethernet Adapter

SysKonnnect SK-98xx V2.0 Gigabit Ethernet Adapter

User Manual

(v2.10 17 February, 2003)

Visit our web site: <http://www.syskonnnect.com>

Copyright © SysKonnnect GmbH, 2003. All rights reserved.

This manual refers to SysKonnnect SK-9821 V2.0 Gigabit Ethernet 10/100/1000Base-T Adapter and SK-9843 V2.0 Gigabit Ethernet 1000Base-SX Adapter. Contents are subject to change. Product and brand names are (registered) trademarks of their appropriate owners.

Please send your comments on this documentation to:

SysKonnnect GmbH
A Marvell®Company
Information Development
Siemensstraße 23
76275 Ettlingen / Germany
Fax: +49 7243 502 989
E-Mail: manual@syskonnnect.de

German and French versions of this manual are available on the SysKonnnect installation CDROM and on our web site.

Conventions

The following conventions apply in this manual.

Warnings and Notes



Used to indicate a potentially hazardous situation which, if not avoided, could result in death or serious injury. Example: dangerous tension.



Used to indicate a potentially hazardous situation which, if not avoided, may result in minor or moderate injury. Example: electrostatic discharge.



Used for additional information and advice.

Font Styles applied

Courier: Used to identify terminal input to be entered by the user and output to be issued by the system.

Examples: Enter `sk98diag`.

If the test was successful, the message `passed` is issued.

Italics: Used when new technical terms are introduced.

Example: The station is operated in *Repeat Mode*.

SMALL CAPS: Used to identify menu options to be selected by the user and buttons to be clicked by the user.

Examples: In the main menu, select EXIT.

Click NEXT.

Underline: Used to identify hyperlinks, which, if clicked by the user, jump to the designated link.

Example: Visit our web site: www.sysconnect.com.

Table of Contents

Conventions	5
Warnings and Notes	5
Font Styles applied	5
1 Getting started	11
Handling	11
Safety Instructions	11
2 Installation of the Network Adapter	13
3 Connection of the Network Adapter	15
Transmission Distances	15
Connection to the Network	15
4 Installation of the Driver Software	17
Windows	18
Windows NT 4.0	18
Windows 98 Second Edition	19
Windows Millennium Edition	19
Windows 2000	20
Windows XP	21
SysKonnnect Network Driver Installation Package for Windows 2000 and Windows XP	23
Linux	24
Sun Solaris	26
HP-UX	28
IBM AIX	29
Automatic installation on AIX 4.3.3, AIX 5.1, and AIX 5.2	30
Manual installation on AIX 4.3.3	30
Manual installation on AIX 5.1 and AIX 5.2	31
Novell NetWare	31
Installation on Novell NetWare 4.20	32
Installation on Novell NetWare 5 and 6	32
5 Features	35
Types of Adapters	35
Operating System Support	36
High Performance	36
Jumbo Frames	36
TCP, UDP and IP checksum calculation	36
Dynamic Interrupt Moderation	36
Promiscuous Mode / Multicast Support	36
Advanced Power Management / Wake on LAN	37
Reliability	37
Link Aggregation	37
Redundant Switch Failover	38
PCI Hot Plug	38
Parity	39
Sensors	39
User Diagnostics (DOS)	39
SysKonnnect Network Control for Windows 2000 and Windows XP	39
Virtual LAN (VLAN) support	41
Virtual Cable Tester™ (VCT)	42

6 Testing the Network Adapter	45
Diagnostics Program	45
Loopback Test for Fiber Adapters	45
Repeater Test for Copper Adapters	47
Failure of a Test	48
Additional Functions of the Diagnostics Program	49
Checking Other Displays and Data	49
Main Program	49
Reading Sensor Data	50
Reading Configuration Data	50
Reading VPD Data	51
Sample Usage of VPD Data/Asset Tag	52
7 Troubleshooting	55
Searching for errors	55
LED Displays	56
8 Important Information	57
Technical Support	57
Returning an Adapter for Repair	57
Additional Documentation and Updates	58
Technical Specifications	59
Appendix A. License and Warranty Information	61
The Americas, Asia, Australia, New Zealand, Pacific	61
Europe	62
Deutschland, Schweiz, Österreich, Liechtenstein	63
Appendix B. Compliance Statements	65
FCC Declaration of Conformity Compliance Information Statement - Class B	65
VCCI Statement (Japan)	65

Table of Figures

Figure 1: Insertion of the adapter into the computer	14
Figure 2: Connection of fiber-optic cables/plugs	16
Figure 3: Adapter Overview in “SysKonnnect Network Control”	41
Figure 4: Display after a VCT test	43
Figure 5: Setup for loopback testing	45
Figure 6: Typical screen display after a successful test	46
Figure 7: Typical error message from the diagnostics program	48
Figure 8: Diagnostics program, main menu	49
Figure 9: Display of configuration data	51
Figure 10: VPD Data menu	51
Figure 11: Display of VPD data	52
Figure 12: Screen showing updated asset tag	53
Figure 13: Location of the LEDs	56

1 Getting started

To install the network adapter, observe the following instructions.

Handling



Electrostatic discharge!

Electrostatic discharge may damage or destroy the network adapter.

To avoid damaging the network adapter:

- Switch off the computer and disconnect the power cord from the power outlet.
- Do not open the antistatic bag until you are ready to install the network adapter.
- We recommend to wear an antistatic wrist strap when installing the network adapter.
- Remove the computer cover and connect the wrist straps (electrically conductive) to the computer chassis.
- Do not connect the wrist strap to the ground terminal of the power supply. Faulty wiring could make this terminal live and potentially lethal.
- Hold the antistatic packaging of the network adapter against the bracket of an expansion slot on your computer for at least two seconds.
This reduces the static charge in the packaging and in your body.
- Do not touch any circuits on the network adapter or any of its port contacts.
- Do not place the network adapter on the computer cover or any other metal surface.
- Do not allow anyone else to touch the network adapter.
- Avoid unnecessary movement since this can increase electrostatic charge.
- Never use force when working with the network adapter or the PCI bus.
- If you need to place the network adapter somewhere after removing it from the antistatic bag, make sure that you place it on the antistatic bag and on a level surface.

Safety Instructions



Electrical current!

Electrical current from power, phone, and communications cables can be hazardous.

To avoid potential shock hazards:

- Do not carry out any installation, maintenance or (re)configuration work during a thunderstorm.
- Do not connect or disconnect any power cables during a thunderstorm.
- For installation in a Hot Plug system, observe the safety instructions specific to this system. Read the relevant documentation.

Electrical installations must comply with the safety regulations of the country in which they are operated.

For 1000Base-SX adapters observe the following:



Laser light!

Laser light from fiber-optic transmission cables and components can damage your eyes.

The laser components on the network adapter are Class 1 laser components. Class 1 lasers are considered incapable of producing damaging radiation levels during normal operation or maintenance and is, therefore, determined to be eye safe.

To avoid damaging your eyes and to continue safe operation in case of abnormal circumstances:

- Never look directly into the outlets of fiber-optic cables or fiber-optic transmission components with unprotected eyes!
- Never allow fiber-optic transmission paths to operate until all the connections have been made.
- Always fit protective plugs to any unused ports on the switch or the network adapter.



Radiation!

The use of controls or adjustments or performance of procedures other than those specified herein may result in hazardous radiation exposure.

2 *Installation of the Network Adapter*

The installation procedure in Hot Plug systems may differ from the following. For Hot Plug systems read the corresponding documentation. Have the computer manual ready and if necessary, a key and/or screwdriver to open the cover and remove the bracket.

To install the adapter in the computer, proceed as follows:

1. Switch off the computer in which the network adapter is to be installed.
2. Disconnect the power cord from the power outlet.
Observe the safety instructions (see page 11).
3. Open the computer cover as described in your computer manual.
You may need a screwdriver or similar tool to remove the screws from the cover.
If you are installing a network adapter in a tower computer, we recommend to put the computer on its side in order to be able to apply the correct force to insert the adapter into the PCI bus slot.
4. Locate a free PCI bus slot on the motherboard (or on the designated component respectively).
5. Consult the section in your computer manual that describes how to install expansion cards.



SysKconnect PCI adapters can be installed in (short) 32-bit or (long) 64-bit PCI/PCI-X bus slots at 33 MHz or 66 MHz. Best performance, however, is reached with a 64-bit/66 MHz bus.

6. Remove the bracket (if applicable) from the expansion slot.
Follow the instructions in your computer manual.
7. Remove the network adapter from the antistatic bag.
Follow the handling instructions on page 11.
8. Insert the network adapter into the PCI bus slot as described in your computer manual (also see figure 1 "Insertion of the adapter into the computer").
Make sure that the contacts of the network adapter are correctly aligned with the PCI bus slot on the motherboard (or on the designated component respectively).
9. Push the network adapter down vertically into the slot until it is firmly seated.
10. If available, tighten the locking screw on the fixing bracket until the adapter is firmly connected to the computer cover (or to the attachment provided for expansion cards).
11. Replace the computer cover.
12. Replace and tighten all screws.
13. Reconnect the power supply.
Observe the safety instructions (see page 11).

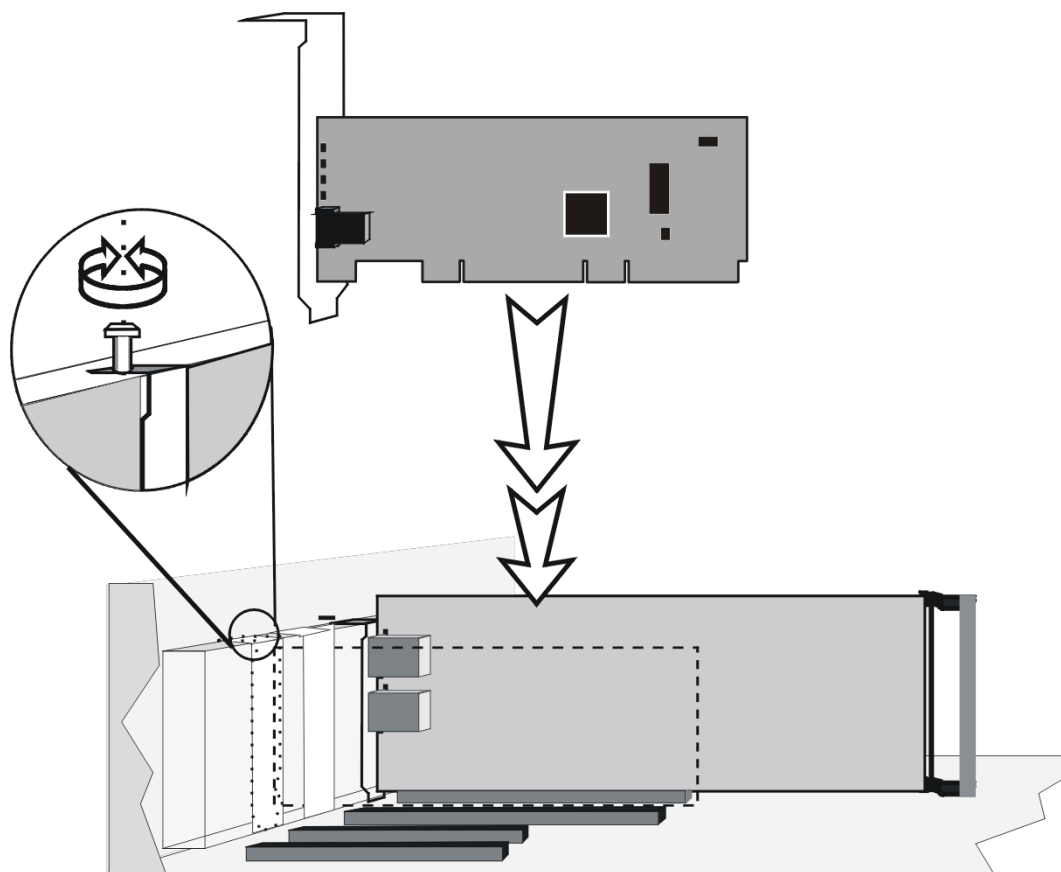


Figure 1. Insertion of the adapter into the computer

3 Connection of the Network Adapter

The physical connection of the network adapter to the network is described in this chapter. General instructions for driver installation are given in chapter 4 "Installation of the Driver Software".

Transmission Distances

Depending on the physical media (cable) different distances can be reached for transmission with the Gigabit Ethernet adapter:

Adapter Type	Physical Media	Maximum Distance
1000Base-SX (850 nm)	1000Base-SX 50.0 μ m multimode fiber-optic	550 m
	1000Base-SX 62.5 μ m multimode fiber-optic	275 m
10/100/ 1000Base-T	Category 5 unshielded twisted pair	100 m

Connection to the Network

Observe the safety instructions given on page 11. When hot plugging, additionally observe the safety instructions of the system provider!

The connection procedure of network adapters in Hot Plug systems may differ from the following. For Hot Plug systems read the corresponding documentation.

In order to connect the adapter to the data network, proceed as follows:

1. If necessary, configure the port on the switch to which the network adapter is to be connected (also see the switch manual).
2. If possible, disconnect the switch and the computer from the power supply.
3. Remove the protective plug (if available) from the switch port, which is to be used.
4. At one end of the cable connect the SC duplex or RJ-45 connector to the port on the switch.
5. Remove the protective plug (if available) from the port on the network adapter (fiber-optic types only).
6. At the other end of the cable connect the connector to the port on the network adapter. The port type (e.g. 1000Base-SX) on the network adapter and that on the switch must be identical.

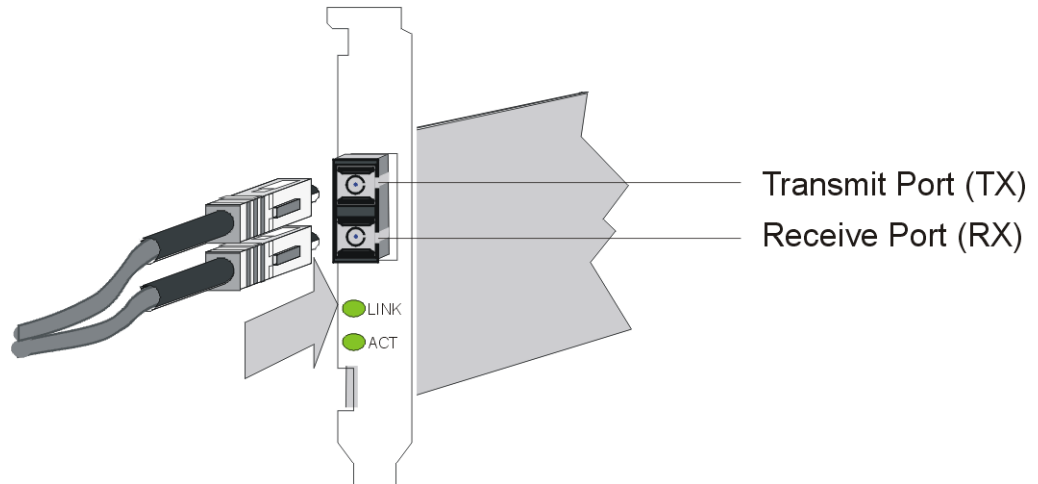


Figure 2. Connection of fiber-optic cables/plugs

7. Switch on the computer and the switch.
If no protocol driver has been loaded, go to chapter 4 "Installation of the Driver Software". After driver installation, return to step 8 of this list.
If a protocol driver has been loaded, continue with step 8.
8. Check the correct polarity with the green link LED on the network adapter.
If the LED is illuminated, the connection is established and active.
9. For fiber-optic SC Duplex connection: If the green link LED does not light, power off the computer and the switch.
10. Remove the SC duplex connector either from the computer (network adapter) or from the switch.
11. Reverse the positions of TX and RX and re-connect.
12. Repeat steps 7 and 8 from this list.
13. Mark the correct polarity on the connector or the cable.
If there is still no indication that a connection has been established, you will need to check the network adapter more closely (for details, refer to section "Diagnostics Program" on page 45).
If a connection to the network is established, the installation of the network adapter is complete. Keep this manual with your computer manual for future reference.



The network adapter will not be fully operational until suitable drivers have been loaded. See chapter 4 "Installation of the Driver Software" for details.

4 Installation of the Driver Software

The network drivers are located in the appropriate product directory on the enclosed installation CD-ROM. This directory is organized into a number of subdirectories for the various operating systems. The subdirectories contain the driver files and the corresponding readme files. The readme files are available as ASCII text and in HTML format. Any last-minute changes are documented in the "Release Notes" (if applicable) and on the driver site of the SysKconnect web site.

To install a driver, follow the instructions given below and in the corresponding readme files.



The installation procedures described below are only valid for SysKconnect SK-98xx V2.0 Gigabit Ethernet Adapters. For details on the installation of other SysKconnect adapters, refer to the corresponding readme files.

There are two possibilities to view the readme files:

- with an internet browser
- with a text editor

Use an internet browser

If you have an internet browser (or any other HTML viewer) installed on your computer, we recommend to use it for viewing the readme files.

To view the readme files with an internet browser, proceed as follows:

1. Insert the installation CD-ROM into your CD-ROM drive.
2. If the browser is not automatically launched, click START.HTM on the installation CD-ROM. The start page of the installation CD-ROM is displayed.
3. Click DRIVERS.
A list showing all available network technologies is displayed.
4. Select your preferred network technology, e.g. GIGABIT ETHERNET.
5. Select the appropriate product family, e.g. SK-98XX GIGABIT ETHERNET ADAPTERS.
A list showing all available network adapters of this product family is displayed.
6. Select your network adapter, e.g. SK-9821.
A list showing all available drivers for this adapter is displayed.
7. Click the operating system for which you want to install the driver, e.g. WINDOWS XP.
The readme file is opened. Here, you will find detailed instructions on how to install the driver.

Use a text editor

To view a text file, proceed as follows:

1. Insert the installation CD-ROM into your CD-ROM drive.
2. Go to the appropriate product directory, e.g. SK-982X.
A list of all available operating systems this network adapter supports is displayed.
3. Select the operating system for which you want to install the driver, e.g. SOLARIS > SPARC.
4. Open the corresponding text file, e.g. skge.txt.

Windows

SysKonnnect offers drivers for Windows 2000, Windows XP, Windows Me, Windows 98 SE, and Windows NT 4.0. Additionally, a value added package is available for Windows 2000 and Windows XP enabling Virtual LAN (VLAN) and link aggregation support. This package also includes a utility program for easy installation and configuration. For details, refer to section "SysKonnnect Network Driver Installation Package for Windows 2000 and Windows XP" and section "SysKonnnect Network Control for Windows 2000 and Windows XP".

Drivers downloaded from our web site are available in a packed format (.zip files). The downloaded file has to be unpacked before installation.

Windows NT 4.0

The NDIS 4.0 32-bit Miniport driver for the SysKonnnect SK-98xx family supports Windows NT 4.0. This driver does not support Windows NT 3.51 or below. It is recommended to install the latest Windows NT 4.0 Service Pack after successful installation of the driver.

To install the driver, proceed as follows:

1. After you have installed the adapter in your computer, boot Windows NT 4.0 (for details, see chapter 2 "Installation of the Network Adapter").
2. Select START > SETTINGS > CONTROL PANEL.
The window "Control Panel" is displayed.
3. Select NETWORK.
The window "Network" is displayed.
4. Select the tab ADAPTERS.
5. Click ADD....
6. Click HAVE DISK....
7. Depending on the type of installation medium used (CD-ROM, floppy disk, network drive), type the path to the driver, e.g. e:\SK-982x\Windows\Nt4, where "e" is the designation of the CD-ROM drive on your system.
8. Click OK.
The window "Select Network Adapter" is displayed.
9. Select the adapter for which the driver is to be installed.
10. Click OK.
The window "Card Setup" is displayed.
11. Configure the adapter (for details, refer to the corresponding readme file).
12. When you have finished the configuration, click Ok.
13. After successful installation of the driver, install the latest Windows NT 4.0 Service Pack.
14. Restart your system.

For more information, refer to the corresponding readme file.

Windows 98 Second Edition

SysKonnnect offers an NDIS 5.0 32-bit Miniport driver for the SysKonnnect SK-98xx family supporting Windows 98 Second Edition (Windows 98 SE). This driver does not support Windows NT 4.0 or below, Windows 2000, and Windows XP.

With PCI adapters, due to the plug & play facility of PCI, Windows 98 SE is able to find, identify, and configure an adapter automatically.

To install the driver, proceed as follows:

1. After you have installed the adapter in your computer, boot Windows 98 SE (for details see chapter 2 "Installation of the Network Adapter").
Windows 98 SE detects the SysKonnnect SK-98xx V2.0 Gigabit Ethernet adapter as "PCI Ethernet Controller" during the boot operation.
The window "Add New Hardware Wizard" is displayed.
2. Click NEXT.
The menu "What do you want Windows to do?" is displayed.
3. Select the check box SEARCH FOR THE BEST DRIVER FOR YOUR DEVICE (RECOMMENDED).
4. Click NEXT.
5. Select the source (CD-ROM, floppy disk, hard disk) from which the driver is to be installed.
6. Type the path to the driver, e.g. e:\SK-982x\Windows\Win98SE, where "e" is the designation of the CD-ROM drive on your system.
7. Click NEXT.
The window "Location of driver" is displayed.
8. Click NEXT.
The menu "Windows has finished installing the software that your new hardware device requires" is displayed.
9. Click FINISH.
10. Restart your system.

For more information, refer to the corresponding readme file.

Windows Millennium Edition

SysKonnnect offers an NDIS 5.0 32-bit Miniport driver for the SysKonnnect SK-98xx family supporting Windows Millennium Edition (Windows Me). This driver does not support Windows NT 4.0 or below, Windows 2000, and Windows XP.

With PCI adapters, due to the plug & play facility of PCI, Windows Me is able to find, identify, and configure an adapter automatically.

To install the driver, proceed as follows:

1. After you have installed the adapter in your computer, boot Windows Me (for details, see chapter 2 "Installation of the Network Adapter").
Windows Me detects the SysKonnnect SK-98xx V2.0 Gigabit Ethernet Adapter as "PCI Ethernet Controller" during the boot operation.
2. Select the check box SPECIFY THE LOCATION OF THE DRIVER (ADVANCED).
3. Click NEXT.
4. Select the check box SEARCH FOR THE BEST DRIVER FOR YOUR DEVICE (RECOMMENDED).
5. Select the source from which the driver is to be installed, e.g. REMOVABLE MEDIA (Floppy, CD-ROM).
6. Select the check box SPECIFY A LOCATION.

7. Type the path to the driver, e.g. e:\SK-982x\Windows\WinME, where "e" is the designation of the CD-ROM drive on your system.
8. Click NEXT.
The menu "Windows has found multiple software packages that should work for this device. What would you like to install?" is displayed.
9. If Windows Me has detected the adapter you have installed in your computer, select the check box THE UPDATED SOFTWARE (RECOMMENDED).
10. Click NEXT.
The window "Location of driver" is displayed.
11. Click NEXT to continue the installation.
The menu "Windows has finished installing the new hardware device" is displayed.
12. Click FINISH.
13. Restart your computer.

For more information, refer to the corresponding readme file.

Windows 2000

SysKonnnect offers an NDIS 5.0 32-bit Miniport driver for the SysKonnnect SK-98xx family supporting Windows 2000. SysKonnnect also offers the "Network Driver Installation Package for Windows 2000 and Windows XP". For details on this package, refer to section "SysKonnnect Network Driver Installation Package for Windows 2000 and Windows XP".

Install the driver

To install the driver, proceed as follows:

1. After you have installed the adapter in your computer, boot Windows 2000 (for details, see chapter 2 "Installation of the Network Adapter").
Windows 2000 detects the SysKonnnect SK-98xx V2.0 Gigabit Ethernet Adapter as "Ethernet Controller" during the boot operation.
The window „Found New Hardware Wizard“ is displayed.
2. Click NEXT.
In the same window, the menu „Install Hardware Device Drivers“ is displayed.
3. Select the check box SEARCH FOR A SUITABLE DRIVER FOR MY DEVICE (RECOMMENDED).
4. Click NEXT.
The menu "Locate Driver Files" is displayed.
5. Select the source from which the driver is to be installed (FLOPPY DISK DRIVES, CD-ROM DRIVES, or SPECIFY A LOCATION).
6. Click NEXT.
The menu "Driver Files Search Results" is displayed, listing the found driver and its location.
7. To install the driver, click NEXT.
In case the driver does not have a Microsoft Digital Signature yet, the window "Digital Signature Not Found" is displayed.
8. To continue the installation, click YES.
The window "Completing the Found New Hardware Wizard" is displayed.
9. Click FINISH to complete the installation.

Update the driver

To update the driver, proceed as follows:

1. On the desktop, right-click the MY COMPUTER icon.
2. Select MANAGE.
The window "Computer Management" is displayed.
3. Select DEVICE MANAGER from the list on the left side of the window.
4. On the right side of this window, select NETWORK ADAPTERS.
5. Right-click the adapter which is to be updated.
6. Select PROPERTIES.

7. Select the tab DRIVER.
8. Click UPDATE DRIVER...
The window "Upgrade Device Driver Wizard" is displayed.
9. Click NEXT.
In the same window, the menu "Install Hardware Device Drivers" is displayed.
10. Select the check box DISPLAY A LIST OF THE KNOWN DRIVERS FOR THIS DEVICE SO THAT I CAN CHOOSE A SPECIFIC DRIVER.
11. Click NEXT.
The menu "Hardware Type" is displayed.
12. Select NETWORK ADAPTER.
13. Click NEXT.
The menu "Select Network Adapter" is displayed.
14. Select the adapter for which the driver is to be installed.
15. Click HAVE DISK...
The window "Install from Disk" is displayed.
16. Type the path to the driver.
17. Click OK.
The menu "Select Network Adapter" is displayed again.
18. Select the adapter for which the driver is to be installed.
19. Click NEXT.
The menu "Start Device Driver Installation" is displayed.
20. To install the driver, click NEXT.
In case the driver does not have a Microsoft Digital Signature yet, the window "Digital Signature Not Found" is displayed.
21. To continue the installation, click YES.
The window "Upgrade Device Driver Wizard" is displayed.
The menu "Completing the Upgrade Device Driver Wizard" is displayed.
22. Click FINISH to complete the installation.



If the driver for one SysKonnnect SK-98xx adapter is updated, all SysKonnnect SK-98xx adapters installed in your system should be updated.

For more information, refer to the corresponding readme files.

Windows XP

SysKonnnect offers an NDIS 5.1 32-bit Miniport driver for the SysKonnnect SK-98xx family supporting Windows XP.

Install the driver

To install the driver, proceed as follows:

1. After you have installed the adapter in your computer, boot Windows XP (for details, see chapter 2 "Installation of the Network Adapter").
Windows XP detects the SysKonnnect SK-98xx V2.0 Gigabit Ethernet Adapter as "Ethernet Controller" during the boot operation.
The window "Found New Hardware Wizard" is displayed.
2. Select the check box INSTALL THE SOFTWARE AUTOMATICALLY (RECOMMENDED).
3. Click NEXT.
The menu "Please choose your search and installation options" is displayed.
4. Select the check box SEARCH FOR THE BEST DRIVER IN THESE LOCATIONS.
5. Select the check box INCLUDE THIS LOCATION IN THE SEARCH.
6. Type the path to the driver.
7. Click NEXT.

In case the adapter has not passed Windows Logo testing to verify its compatibility with Windows XP, the window "Hardware Installation" is displayed.

8. To continue the installation, click CONTINUE ANYWAY.

In the window "Found New Hardware Wizard", the menu "Completing the Found New Hardware Wizard" is displayed.

9. Click FINISH to complete the installation.

Update the driver

To update the driver, proceed as follows:

1. Click START.
2. Right-click MY COMPUTER.
3. Select MANAGE.
4. Select DEVICE MANAGER.
5. On the right side of this window, select NETWORK ADAPTERS.
6. Double-click the adapter which is to be updated.
7. Select the tab DRIVER.
8. Click UPDATE DRIVER....

The window "Hardware Update Wizard" is displayed.

9. Select the check box INSTALL FROM A LIST OR SPECIFIC LOCATION (ADVANCED).
10. Click NEXT.
11. Select the check box DON'T SEARCH. I WILL CHOOSE THE DRIVER TO INSTALL.
12. Click NEXT.

The menu "Please choose your search and installation options" is displayed.

13. Select the adapter for which the driver is to be installed.
14. Click HAVE DISK...

The window "Install From Disk" is displayed.

15. Type the path to the driver.
16. Click Ok.
17. Click NEXT.

In case the adapter has not passed Windows Logo testing to verify its compatibility with Windows XP, the window "Hardware Installation" is displayed.

18. To continue the installation, click CONTINUE ANYWAY.

The window "Confirm File Replace" is displayed.

19. Click YES.

In the window "Hardware Update Wizard", the menu "Completing the Hardware Update Wizard" is displayed.

20. Click FINISH to complete the installation.

For more information, refer to the corresponding readme file.

SysKonnnect Network Driver Installation Package for Windows 2000 and Windows XP

The "SysKonnnect Network Driver Installation Package" for the SysKonnnect SK-98xx family contains the NDIS 5.0 and 5.1 32-bit Miniport drivers, the Virtual LAN (VLAN) intermediate driver, the Link Aggregation (LAGG) intermediate driver, and the utility program "SysKonnnect Network Control". The package supports Windows 2000 and Windows XP. The installation process is identical for Windows 2000 and Windows XP. It is described for Windows 2000.

To install the package on Windows 2000, proceed as follows:

1. After you have installed the adapter in your computer, boot Windows 2000 (for details, see chapter 2 "Installation of the Network Adapter").
Windows 2000 detects the SysKonnnect SK-98xx V2.0 Gigabit Ethernet Adapter as "Ethernet Controller" during the boot operation.
The window "Found New Hardware Wizard" is displayed.
2. Click CANCEL to continue the package installation.
3. Go to the folder where the "SysKonnnect Network Driver Installation Package" (setupsknet.exe) is stored.
4. Double-click SETUPSKNET.EXE to start the installation of the package.
The window "Welcome to the SysKonnnect Network Installation Package Installation Wizard" is displayed.
5. Click NEXT to continue the installation.
The window "License Agreement" is displayed.
6. Select the check box I ACCEPT THE LICENSE AGREEMENT.
7. Click NEXT.
The window "Readme Information" is displayed.
8. Click NEXT.
The window "Destination Folder" is displayed.
9. Select a folder where the application is to be installed.
The default destination folder is D:\Program Files\SysKonnnect\. To install in a different folder, click BROWSE and select a different folder.
10. Click NEXT.
The window "Ready to install the application" is displayed.
11. Click NEXT to continue the installation.
The window "Updating System - Installation of updated drivers" is displayed.
12. Click NEXT to continue the installation.
In case the driver does not have a Microsoft Digital Signature yet, the window "Digital Signature Not Found" is displayed (in Windows XP, the window "Software Installation" is displayed).
13. To continue the installation, click YES (in Windows XP, click CONTINUE ANYWAY).
The window "Updating System - Scan for New Hardware" is displayed.
14. Click NEXT to continue the installation.
The menu "SysKonnnect Network Installation Package has been successfully installed" is displayed.
15. Click FINISH to exit the installation program.
16. If the system requests a reboot, restart your computer.
The "SysKonnnect Network Control" can now be started from the Control Panel window:
START > SETTINGS > CONTROL PANEL > SYSKONNECT NETWORK CONTROL (in Windows XP: START > CONTROL PANEL > SYSKONNECT NETWORK CONTROL.)

For more information, refer to the corresponding readme file.

Linux

The “sk98lin” driver for the SysKconnect SK-98xx family supports all Linux distributions. The installation procedure for the various Linux distributions differs. The driver will be integrated into the kernel, i.e. using the standard installation procedure of your distribution to install Ethernet adapters should cause no problems. For details on the installation of Ethernet adapters, refer to the distribution’s manual. The installation procedure described in this manual is a general description, which is valid for all distributions.

It is recommended to download the latest version of the driver from the SysKconnect web site www.syskconnect.com. If you have downloaded the latest driver, the Linux kernel has to be patched before the driver can be installed.

Patch the Linux kernel To patch the Linux kernel, proceed as follows:

1. Login as “root”.
2. Download the original Linux source code named linux-a.b.c.tar.gz into the directory /usr/src.
The linux kernel version has to match the version of the patch file.
3. Unpack the original Linux source code with the following command:

```
tar xvzf linux-a.b.c.tar.gz
```

After the sources have been installed, they can be found in a directory named /usr/src/linux-a.b.c or /usr/src/linux.
4. Usually, the directory /usr/src/linux is a symbolic link to the target kernel source tree but in some cases you may need to create it manually with the following command:

```
cd /usr/src  
ln -s linux-a.b.c linux
```
5. To start the kernel build process, go to the topmost directory in the kernel source tree with the following command:

```
cd /usr/src
```
6. Patch the kernel with the following command:

```
zcat /patch-location/sk98lin_a_b_c_patch.gz | patch -p0
```

For initial driver setup, the driver must be installed and then be started manually. After successful installation, the driver can be included into the system start. The driver can either be integrated into the kernel or be compiled as a module. Select the appropriate option during kernel configuration.

The installation procedure is described for installing the driver on x86 systems. In addition to installing the driver, standard development tools, e.g. “make”, “gcc”, etc. have to be installed.

Install the driver To use the driver as a module or integrate it into the kernel, proceed as follows:

1. After you have installed the adapter in your computer, boot your Linux system (for details, see chapter 2 "Installation of the Network Adapter").
2. Login as “root”.
3. Go to the directory /usr/src/linux.
4. Execute the command: `make menuconfig` for the console mode, or execute the command: `make xconfig` for the graphical mode.
The kernel configuration menu (Main Menu) is displayed.
5. Select NETWORK DEVICE SUPPORT.
6. Select ETHERNET (1000 MBit).
7. To integrate the driver permanently into the kernel, mark SYSKCONNECT SK-98XX SUPPORT with (*).
To compile the driver as a module, mark SYSKCONNECT SK-98XX SUPPORT with (M).
8. Select EXIT.

The Main Menu is displayed.

9. Select LOADABLE MODULE SUPPORT.
The menu "Loadable module support" is displayed.
10. Select ENABLE LOADABLE MODULE SUPPORT.
11. Select KERNEL MODULE LOADER.
12. Select EXIT.
13. Configure other options, e.g. SCSI, file systems, etc.
14. To quit the configuration, select EXIT.
15. When the message "Do you wish to save your new kernel configuration" is displayed, select YES.
Now build a new kernel by executing the following commands:
16. Execute the command: `make dep`.
17. Execute the command: `make clean bzImage`.
18. Execute the command: `make modules`.
19. Execute the command: `make modules_install`.
20. If you use "lilo" as a boot loader, execute the command:
`make bzlilo`.
If no errors occurred, the new kernel is installed in the "root" directory.
21. Go to the "root" directory by executing the command: `cd /`.
22. Copy the new kernel into your boot directory by executing the commands:
`cp vmlinuz /boot/<name of the new kernel>` and
`cp System.map /boot/`.
23. Edit the boot loader configuration file to boot the new kernel, e.g. "lilo.conf".
24. If you use "lilo" as a boot loader, execute the command: `lilo`.
25. Reboot your system with the new kernel.
26. If you use the driver as a module, continue with "Load the module".
If you integrated the driver into the kernel, continue with "Assign an IP address".

Load the module

If you use the driver as a module, the module has to be loaded manually.

To load the module manually, proceed as follows:

1. Execute the following command: `modprobe sk98lin`.
2. If the SysKconnect adapter is installed in your computer and you have a /proc file system, execute the command:
`ls /proc/net/sk98lin`.
This should produce an output containing a line with the following format:
`eth0 eth1 ...`
which indicates that your adapter has been found and initialized.
If several SysKconnect adapters are installed in your system, the adapters will be listed as "eth0", "eth1", "eth2", etc. The mapping is executed automatically.
The module installation message (displayed either in a system log file or on the console) outputs a line for each adapter found containing the corresponding "ethX".
3. Assign an IP address.

Assign an IP address

In order for the adapter to work, an IP address has to be assigned. For each adapter, repeat steps 1 and 2 below.

To assign an IP address, proceed as follows:

1. Select an IP address by assigning it to the respective adapter:
`ifconfig eth0 <ip-address>`.
With this command, the adapter is connected to the Ethernet. If your adapter is connected to the data network or another station, the green link LED is active after assigning the IP address. In addition, you will receive a status message on the console stating

“ethX: network connection up using port Y” and showing the selected connection parameters. Now your adapter should be fully operational.

- Execute `ping <other station>` to verify the connection to other computers on your network.



If you are in doubt about the IP addresses, ask your network administrator for assistance.

For more information, refer to the corresponding readme file.

Sun Solaris

The “SKGESol” driver package supports the SysKonnnect SK-98xx family on Solaris 7 and higher. Both SPARC and x86 systems (Solaris 9 does not support x86) are supported by the respective driver version. For all supported Solaris SPARC versions, there is also a 64-bit version.

There are two tools for installing the driver package:

- “pkgadd”, which runs from the command line
- “admintool”, which uses a GUI

The following description of the driver installation is based on an installation on Solaris SPARC in 32-bit mode. It is valid for all Sun Solaris systems.

In order to perform the installation, you need “root” access.

Driver packages downloaded from our web site are available in a compressed format (.tar.Z files). The package has to be uncompressed before installation.

Uncompress the driver

To uncompress the downloaded driver package, proceed as follows:

- Go to the directory where the compressed driver package is located, e.g. `/usr/SKGE/skgesol_sparcv6.00.tar.Z` for the SPARC Edition.
- Uncompress the file with the following command:

```
uncompress skgesol_sparcv6.00.tar.Z
```

The result is the file “skgesol_sparcv6.00.tar”.
- Untar this file with the following command:

```
tar -xvf skgesol_sparcv6.00.tar
```

The result is the subdirectory “SKGESol” containing the driver package and the readme files “skge.html” and “skge.txt”.
The driver package is now ready to be installed.

Install the driver with “pkgadd”

To install the driver using “pkgadd”, proceed as follows:

- After you have installed the adapter in your computer, boot your Sun Solaris system (for details, see chapter 2 “Installation of the Network Adapter”).
- Go to the directory where the subdirectory “SKGESol” is located.
- Execute “pkgadd”:

```
pkgadd -d . SKGESol
```

A shell window is displayed asking whether you want to configure IP interfaces during installation or not.
- If yes, type `y`.
If no, type `n`.
- Press <Enter>.

If you have typed *y* in step 4, continue with step 6.

If you have typed *n* in step 4, only the driver will be loaded and all interfaces have to be configured manually. For details, refer to the corresponding readme file.

6. Enter the following values for every interface you want to configure as the system requests them:
 - the new interface's name (e.g. host),
 - the IP address (e.g. 192.9.121.59), and
 - the netmask (e.g. 255.255.255.0).

Once you have entered all information, the message "Are these settings OK (y/n)?" is displayed.

7. If all settings are OK, type *y*.

8. Press <Enter>.

The message "Do you have more SysKconnect Gigabit Ethernet interface adapters installed (y/n)?" is displayed.

9. If yes, type *y*.

If no, type *n*.

10. Press <Enter>

If you have typed *y* in step 9, repeat steps 6 to 8.

If you have typed *n*, continue with step 11.

11. When the message "Do you want to continue with the installation of <SKGEsol> [y, n, ?]" is displayed, type *y*.

The driver package is installed.

"pkgadd" will prompt you to reboot after successful installation, but this may be ignored.

Install the driver with "admintool"

To install the driver using "admintool", proceed as follows:

1. After you have installed the adapter in your computer, boot your Sun Solaris system (for details, see chapter 2 "Installation of the Network Adapter").

2. Start "admintool".

The window "Admintool: Users" is displayed.

3. Select BROWSE > SOFTWARE.

The window "Admintool: Software", listing all available software, is displayed.

4. Select EDIT > ADD.

The dialog box "Admintool: Set Source Media" is displayed.

5. Select the location of the "SKGEsol" subdirectory.

6. Click OK.

In the displayed window, the left panel shows the available software packages.

7. Select SYSKCONNECT SK-98XX FAMILY.

8. Click ADD.

The shell window "Admintool: Add Software" is displayed asking whether you want to configure IP interfaces during installation or not.

9. If yes, type *y*.

If no, type *n*.

10. Press <Enter>.

If you have typed *y* in step 9, continue with step 11.

If you have typed *n* in step 9, only the driver will be loaded and you have to configure all interfaces manually. For details, refer to the corresponding readme file.

11. Enter the following values for every interface you want to configure as the system requests them:

- the new interface's name (e.g. host),
- the IP address (e.g. 192.9.121.59), and
- the netmask (e.g. 255.255.255.0).

Once you have entered all information, the message “Are these settings OK (y/n)?” is displayed.

12. If all settings are OK, type *y*.
13. Press <Enter>.

The message “Do you have more SysKonnnect Gigabit Ethernet interface adapters installed (y/n)?” is displayed.
14. If yes, type *y*.
If no, type *n*.
15. Press <Enter>.

If you have typed *y* in step 14, repeat steps 11 to 13.
If you have typed *n*, continue with step 16.
16. When the message “Do you want to continue with the installation of <SKGEsol> [y, n, ?]” is displayed, type *y*.

The driver package is installed.
“Admintool” will prompt you to reboot after successful installation, but this may be ignored.

For more information, refer to the corresponding readme file.

HP-UX

The driver supports the SysKonnnect SK-98xx family on HP-UX 11 systems. The driver package for HP-UX can be either installed using the administration/installation GUI or a shell command.

To perform the following tasks, you need “root” access.

Drivers downloaded from our web site are available in a packed format (.tar.gz files). The downloaded package has to be unpacked before installation.

Unpack the driver

To unpack the downloaded driver package, proceed as follows:

1. Go to the directory where the packed driver package “<package file>.tar.gz” is located.
2. Unpack the file with the following command:


```
gunzip <package file>.tar.gz
```

The unpacked file has the format “<package file>.tar”.
3. Untar this file with the following command:


```
tar -xf <package file>.tar
```

The result is the file “<package file>.depot” and the readme file in “.txt” and “.html” format.
The driver package is now ready to be installed.

Use the GUI

You can either use “sam” or “swinstall”. “sam” also calls “swinstall”, i.e. the installation is identical (from step 3 onwards). In the following, the installation with “sam” is described.

To install the driver package, proceed as follows:

1. After you have installed the adapter in your computer, boot the HP-UX system (for details, see chapter 2 "Installation of the Network Adapter").
2. Start “sam”.
3. In “sam”, select SOFTWARE MANAGEMENT > INSTALL SOFTWARE TO LOCAL HOST.
4. Specify the SOURCE DEPOT TYPE by selecting LOCAL DIRECTORY.
5. Specify the SOURCE HOST NAME by entering the <host name>, e.g. hpdev.
6. Specify the SOURCE DEPOT PATH by typing the full path to the package file and the name of the package file,
e.g. usr/tmp/skge_HPUX11.00_64b_v6.00.depot.
7. Specify the SOFTWARE FILTERS by entering None.
8. Confirm with OK.

9. Select SKGE.
10. Select ACTIONS > INSTALL (ANALYSIS).
11. When the analysis is finished, confirm with Ok.
12. Click YES.
The following message will be displayed: "The system will be rebooted as soon as Installation is complete. Do you still wish to start Installation?".
13. Confirm with YES.
14. After the installation is completed, click DONE.
15. Click Ok to reboot.
The driver has been installed and the network adapter can now be configured.

Use the command line To install the driver from the command line, proceed as follows:

1. After you have installed the adapter in your computer, boot the HP-UX system (for details, see chapter 2 "Installation of the Network Adapter").
2. Execute the following command from a shell:
`swinstall -s <package file> -x autoreboot=true skge`
The package file must include the full path to the package.
3. Press <Enter>.
The system will install the package and then reboot.

For more information, refer to the corresponding readme file.

IBM AIX

The drivers support the SysKonnnect SK-98xx family on AIX 4.3.3, AIX 5.1, and AIX 5.2 operating systems. For correct driver access, the corresponding Ethernet protocol interface must be installed for TCP/IP configuration. The drivers can not be installed on machines with less than 256 MB memory. We recommend to install the drivers on machines offering at least 512 MB memory.

There are two possibilities to install the driver packages on IBM AIX:

- Automatic installation with "smitty" and the configuration manager
- Manual installation with "smitty"

The installation follows the general guidelines of IBM AIX 4.3 and 5.1/5.2 operating systems for software package installation of third party device drivers.

Driver packages downloaded from our web site are available in a compressed format (.Z files). The downloaded package has to be uncompressed before installation.

Uncompress the driver

To uncompress the downloaded driver package, proceed as follows:

1. Go to the directory where the compressed driver package <filename>.pck.Z is located, e.g. sk98a4x3p.pck.Z for AIX 4.3.3.
2. Uncompress the file with the following command:
`uncompress <filename>.pck.Z`
The uncompressed driver package has the format <filename>.pck and is ready for installation.

Install from CD-ROM on AIX 4.3.3

If the driver is to be installed from CD-ROM on an AIX 4.3.3 operating system, the following steps have to be executed prior to the driver installation:

1. Boot AIX 4.3.3.
2. Login as "root".
3. Insert the SysKonnnect installation CD-ROM into your CD-ROM drive.

4. Copy the driver file <filename>.pck to any directory on your AIX 4.3.3 operating system with the following command:

```
cp <cd-rom path>/<filename>.pck /tmp/<filename>.pck
```

Automatic installation on AIX 4.3.3, AIX 5.1, and AIX 5.2

The following description of the installation process refers to "smitty" executed from the console login. The automatic installation on AIX 4.3.3, AIX 5.1, and AIX 5.2 is identical.

To install the driver automatically, proceed as follows:

1. After you have installed the adapter in the computer, boot the corresponding AIX operating system (for details, see chapter 2 "Installation of the Network Adapter").
2. Login as "root".
3. Start "smitty" and the configuration manager by executing

```
smitty cfgmgr
```

The menu "Install/Configure Devices Added After IPL" is displayed.
4. For AIX 5.1/5.2: Type the path to the driver, e.g. /tmp/<filename>.pck, or to install the driver from CD-ROM, press <F4> and select /DEV/CD0.
 For AIX 4.3.3: Type the path to the driver, e.g. /tmp/<filename>.pck.
5. Press <Enter>.

The automatic installation process starts. When finished, the network device driver is loaded automatically.

6. When the installation process has been finished successfully, check that the network device driver is available for further network configuration:

```
lsdev -C | grep SysKonnnect
```

Executing this command displays a list of available network devices similar to the following:

```
ent1 Available 04-03 SysKonnnect SK-9821 Gigabit Ethernet Adapter
ent2 Available 04-02 SysKonnnect SK-9843 Gigabit Ethernet Adapter
```

For further network configuration, refer to the system manual pages for the corresponding Ethernet network protocol (en0, en1 ...).

The manual installation for operating systems AIX 4.3.3 and AIX 5.1/AIX 5.2 differs. Both procedures are described in the two following sections.

Manual installation on AIX 4.3.3

To install the driver manually on AIX 4.3.3, proceed as follows:

1. After you have installed the adapter in the computer, boot AIX 4.3.3 (for details, see chapter 2 "Installation of the Network Adapter").
2. Login as "root".
3. Start "smitty" by executing `smitty`.
4. Select SOFTWARE INSTALLATION AND MAINTENANCE.
5. Select INSTALL AND UPDATE SOFTWARE.
6. Select INSTALL AND UPDATE FROM LATEST AVAILABLE SOFTWARE.
7. Type the path to the driver, e.g. /tmp/<filename>.pck.
8. Press <Enter>.
9. To view the contents of the install package in the menu "Install and Update from Latest Available Software", select SOFTWARE TO INSTALL with <F4>.
 The menu "Software to install" is displayed.
10. Select the driver to be installed with <F7>, or select DEVICES.PCI with <F7> for all packages.
11. Press <Enter>.

The menu "Install and Update from Latest Available Software" is displayed.

12. Press <Enter>.

The message "Are you sure?" is displayed.

13. Press <Enter> to start the installation process.

14. Once the installation has been completed, start the configuration manager "cfgmgr" from the command line by entering `cfgmgr`.

This command executes a search for installed adapters and loads the corresponding drivers.

For more information, refer to the corresponding readme file.

Manual installation on AIX 5.1 and AIX 5.2

To install the driver manually on AIX 5.1 or AIX 5.2, proceed as follows:

1. After you have installed the adapter in the computer, boot AIX 5.1 or AIX 5.2 (for details, see chapter 2 "Installation of the Network Adapter").
2. Login as "root".
3. Start "smitty" by executing `smitty`.
4. Select SOFTWARE INSTALLATION AND MAINTENANCE.
5. Select INSTALL AND UPDATE SOFTWARE.
6. Select INSTALL SOFTWARE.
7. Type the full path to the driver, e.g. `/tmp/<filename>.pck`, or to install the driver from CD-ROM, press <F4> and select /DEV/CD0.
8. Press <Enter>.
9. To view the contents of the install package in the menu "Install Software", select SOFTWARE TO INSTALL with <F4>.

The menu "Software to Install" is displayed.

10. Select the driver to be installed with <F7>, or select DEVICES.PCI with <F7> for all packages.

11. Press <Enter>.

The menu "Install Software" is displayed.

12. Press <Enter> to install the driver.

The message "Are you sure?" is displayed.

13. Press <Enter> to start the installation process.

14. Once the installation has been completed, start the configuration manager "cfgmgr" from the command line by entering `cfgmgr`.

This command executes a search for installed adapters and loads the corresponding drivers.

For more information, refer to the corresponding readme file.

Novell NetWare

The driver is a 32-bit ODI HSM Novell NetWare server driver for the SysKconnect SK-98xx family. The driver supports NetWare 4.20, NetWare 5.0 and 5.1, and NetWare 6.0.



The setting for MINIMUM PACKET RECEIVE BUFFERS in the startup.ncf must be increased to at least 120 per adapter (e.g. for three adapters you should add "Set Minimum Packet Receive Buffers = 360" to startup.ncf). On SMP systems, you may have to multiply this number with the number of active processors.

To perform the installation, you must have access to the server console.

Drivers downloaded from our web site are available in a packed format (.zip files). The downloaded file has to be unpacked before installation.

Installation on Novell NetWare 4.20

To install the network driver on Novell NetWare 4.20, proceed as follows:

1. After you have installed the adapter in your computer, boot NetWare 4.20 (for details, see chapter 2 "Installation of the Network Adapter").
2. On the console, execute the following command: `load install`.
3. Select DRIVER OPTIONS (LOAD/UNLOAD DISK AND NETWORK DRIVERS).
The menu "Driver Options" is displayed.
4. Select CONFIGURE NETWORK DRIVERS.
The menu "Additional Driver Actions" is displayed.
5. Select DISCOVER AND LOAD ADDITIONAL DRIVERS.
The system detects the SysKconnect adapter as "PCI Lan Controller 1148.4320....".
6. To get a list of available drivers, press <Enter>.
The menu "Select a driver" is displayed.
7. To install an unlisted driver, press <Insert> (the SysKconnect driver is not listed).
8. To specify the path to the driver, press <F3>.
The window "Specify a directory path" is displayed.
9. Type the path to the driver.
If you are installing from CD-ROM, the menu "Select an action" is displayed. Here, select CONTINUE AND ACCESS THE CD-ROM.
The menu "Select a driver to install" is displayed.
10. Select the driver for your network adapter.
The message "Do you want to copy driver <driver name>.LAN?" is displayed.
11. To copy the driver to the server, select YES.
If an older version of a SysKconnect driver is installed on the system, the messages "Save existing file SYS:SYSTEM\<driver name>.LAN?" and "Save existing file SYS:SYSTEM\<driver name>.LDI?" are displayed.
12. To continue, select the desired options (YES or NO).
The menu "Board SK-98NW_1 (Driver <driver name>) Actions" is displayed.
13. Select SELECT MODIFY DRIVER PARAMETERS/PROTOCOLS.
14. Configure the protocols to be used.
15. Configure the parameters, e.g. "slot number".
16. After the parameters have been configured, select SAVE PARAMETERS AND LOAD DRIVER.
The driver is loaded.
Once the driver has been installed, the adapter parameters or bindings can be changed in the autoexec.nfc file using the "Install" tool.

For more information, refer to the corresponding readme file.

Installation on Novell NetWare 5 and 6

The installation procedure for NetWare 5 and 6 is identical.

To install the network driver on Novell NetWare 5 or 6, proceed as follows:

1. After you have installed the adapter in your computer, boot NetWare 5 or 6 (for details, see chapter 2 "Installation of the Network Adapter").
NetWare detects the new adapter and tries to install a driver.
2. To get a list of available drivers, press <Enter>.
The menu "Select a driver" is displayed.
3. To install an unlisted driver, press <Insert> (the SysKconnect driver is not listed).
4. To specify the path to the driver, press <F3>.
The window "Specify a directory path" is displayed.

5. Type the path to the driver.
If you are installing from CD-ROM, the menu "Select an action" is displayed. Here, select CONTINUE AND ACCESS THE CD-ROM.
The menu "Select a driver to install" is displayed.
6. Select the driver for your network adapter.
The message "Do you want to copy driver <driver name>.LAN?" is displayed.
7. To copy the driver to the server, select YES.
If an older version of a SysKconnect driver is installed on the system, the messages "Save existing file SYS:SYSTEM\<driver name>.LAN?" and "Save existing file SYS:SYSTEM\<driver name>.LDI?" are displayed.
8. To continue, select the desired options (YES or NO).
The menu "Board SK-98NW_1 (Driver <driver name>) Actions" is displayed.
9. Select SELECT MODIFY DRIVER PARAMETERS/PROTOCOLS.
10. Configure the protocols to be used.
11. Configure the parameters, e.g. "slot number".
12. After the parameters have been configured, select SAVE PARAMETERS AND LOAD DRIVER.
The driver is loaded.
Once the driver has been installed, the adapter parameters or bindings can be changed in the autoexec.nfc file using the "Nwconfig" tool.

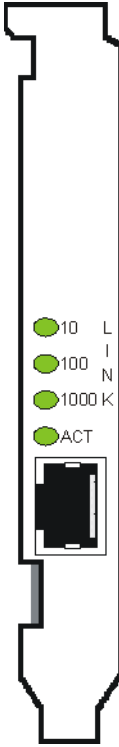

For more information, refer to the corresponding readme file.

5 Features

The SysKonnnect SK-98xx V2.0 Gigabit Ethernet Adapters define a series of network interfaces and constitute a follow-up model of the SK-98xx Gigabit Ethernet Server Adapters. Currently, two versions of SysKonnnect SK-98xx V2.0 Gigabit Ethernet Adapters are available. Both versions are single link network interfaces. At the moment, SysKonnnect offers one fiber single link version with SC duplex connector and a copper version, which supports 1000Base-T, 100Base-T, and 10Base-T with an RJ-45 connector.

Types of Adapters

The following table lists the adapters with their corresponding cables and connectors.

	SysKonnnect SK-9821 V2.0 Gigabit Ethernet 10/100/ 1000Base-T	SysKonnnect SK-9843 V2.0 Gigabit Ethernet 1000Base-SX
LAN interface	10/100/1000Base-T	1000Base-SX
Ports	Single link	Single link
Connector	RJ-45	SC duplex
Media	Copper	Fiber
Wave Length	-	850nm
Type	Cat5	Multi-mode
Bracket		

The type of port on the network adapter must be identical with that on the switch.

Operating System Support

The drivers for the SysKonnnect SK-98xx V2.0 Gigabit Ethernet Adapters support the following operating systems:

- Windows NT 4.0, Windows 98 Second Edition, Windows Millennium Edition, Windows 2000, and Windows XP
- Linux kernel 2.2.x and 2.4.x
- Novell NetWare 4.20 or higher, Novell NetWare 5 and 6
- Sun Solaris 7, 8, and 9 on SPARC systems as well as Solaris 7 and 8 on X86 systems
- IBM AIX 4.3.3, AIX 5.1, and AIX 5.2
- HP-UX 11.00 (PA-RISC 32/64-bit), HP-UX 11.11 (PA-RISC 64-bit), and HP-UX 11.20 (IA-64)

High Performance

The SysKonnnect SK-98xx V2.0 Gigabit Ethernet Adapters are high performance and highly reliable adapters. Best performance is reached with a 64-bit/66 MHz bus. In full-duplex mode, wire speed can be achieved.

Jumbo Frames

The SysKonnnect SK-98xx V2.0 Gigabit Ethernet Adapters support 9 KB Jumbo frames. They are tested according to the prevailing standard and switches on the market.

TCP, UDP and IP checksum calculation

The adapter supports the calculation of TCP, UDP, and IP checksums. These calculations are integrated in the hardware of the Gigabit Ethernet adapters. The checksums are calculated without time loss by the MAC controller for both the receive and the transmit path. This improves the overall performance of the system and shifts these CPU-intensive tasks away from the host CPU.

Dynamic Interrupt Moderation

If the network is running at gigabit speeds and small packets are being transferred, there may in extreme cases be more than 100,000 interrupts per second. To reduce the load on the CPU, the Gigabit Ethernet adapters can use *interrupt moderation* to group these interrupts so that several data packets can be handled per interrupt.

For more information, refer to the White Paper "SK-NET GE Gigabit Ethernet Server Adapter", which can be found on the installation CD-ROM and on our web site.

Promiscuous Mode / Multicast Support

The SysKonnnect SK-98xx V2.0 Gigabit Ethernet Adapter supports *promiscuous mode* for analyzers.

The adapters support multicast for special applications, which use multicast addresses. In addition, two unicast addresses are supported by the hardware. By default, the promiscuous mode is turned off.

Link aggregation provides the following important benefits:

- Higher link availability
- Increased link capacity
- Improvements are obtained using existing hardware (no upgrading to higher-capacity link technology is necessary)

Demanding applications running in high-performance environments like servers in enterprises, web servers, and intranet servers gain particularly from the high-bandwidth and duplex capabilities of link aggregation.

All SysKconnect Gigabit Ethernet adapters support link aggregation according to the IEEE standard 802.3ad. At the moment, SysKconnect provides a link aggregation driver for Windows 2000 and Windows XP. The drivers for Linux are able to support link aggregation according to the IEEE standard 802.3ad by installing third party open source modules. For details, refer to the corresponding readme file. In the future, link aggregation support according to IEEE 802.3ad will be implemented in SysKconnect drivers for other operating systems such as Linux, Sun Solaris, HP-UX, and IBM AIX. For driver updates, refer to our web site:

<http://www.syskconnect.com>

For more information on link aggregation, refer to the white paper “Link Aggregation according to IEEE 802.3ad”, which can be found on the SysKconnect installation CD-ROM and on our web site.

Redundant Switch Failover

Beyond the features required for link aggregation in the IEEE 802.3ad standard, SysKconnect drivers support an additional failover feature, the so-called *Redundant Switch Failover* (RSF). If a switch fails completely, RSF can move the link to a different switch which then takes over the traffic.

At the moment, this feature is implemented in the driver package for Windows 2000 and Windows XP but will be available for other operating systems in the future. The standard requires that all links of a link aggregation group (team) are connected to the same partner (usually a switch supporting 802.3ad). With SysKconnect’s link aggregation driver, one team (group of logical links) can comprise several aggregators (sub-group beneath team level). If a team has several aggregators, which are connected to separate switches, the failover feature is utilized. Data is transferred via one aggregator, and is, if this aggregator fails, automatically switched over to another aggregator in the same team.

For more information on RSF, refer to the white paper “Link Aggregation according to IEEE 802.3ad”, which can be found on the SysKconnect installation CD-ROM and on our web site.

PCI Hot Plug

As a member of the PCI Special Interest Group, SysKconnect participated in the standardization of the insertion and removal of PCI computer cards during normal server operation. Like all SysKconnect PCI cards, the Gigabit Ethernet adapters comply with the Hot Plug PCI standard. This technology increases the availability of the server(s) used.

Hot Plug enables the replacement of failed devices in a running system.

The various tabs contain trees showing the currently installed adapters and their configuration:

- The “Adapter” tab displays the network adapters available in your system with their corresponding ports. It shows the ports, which have been configured as VLANs, for RLMT and those, which have been aggregated into a team.
This tab only serves as an overview. For configuration of the adapter, select one of the other tabs.
- The “Virtual LAN” tab lists all configured virtual LANs along with the corresponding ports and the ports, which may be bound by VLANs.
In this tab, the user can add, remove, and configure VLANs and set VLAN specific parameters.
- The “Team” tab shows all links or ports which may be aggregated in a team or have already been aggregated to form a team.
In this tab, the user can add, remove, rename, and configure teams.
- The “RLMT” tab offers the possibility to configure dual link adapters for *Redundant Link Management Technology* (RLMT). RLMT monitors the status of both ports. If the link of the active port fails, RLMT automatically switches to the standby link and the connection is maintained.
In this tab, the user can add and remove RLMT to/from the ports and set RLMT specific parameters.
- The “Protocol” tab shows all entities (port, VLAN, RLMT, Team) and the protocols, which have been bound to these entities.
- The “Power Management” tab shows the current power management settings of all installed adapters.
- The “Statistics” tab lists statistic values, e.g. Transmit Packet OK (XMIT OK), etc.
- The “Sensors” tab shows the values of the voltage and temperature sensors.
- The “Specifications” tab lists fixed values during operating time, e.g. Hardware Revision, Software version, Max. Frame Size, etc.
- The tab “VCT” (Virtual Cable Tester™) offers the possibility to examine the quality and characteristics of the attached cables. The VCT technology is only available for SysKonnnect SK-9821 V2.0 Adapters.
- The “Support” tab provides information on how to reach the SysKonnnect Technical Support.

When a component in the tree is selected, the corresponding parameters are displayed.

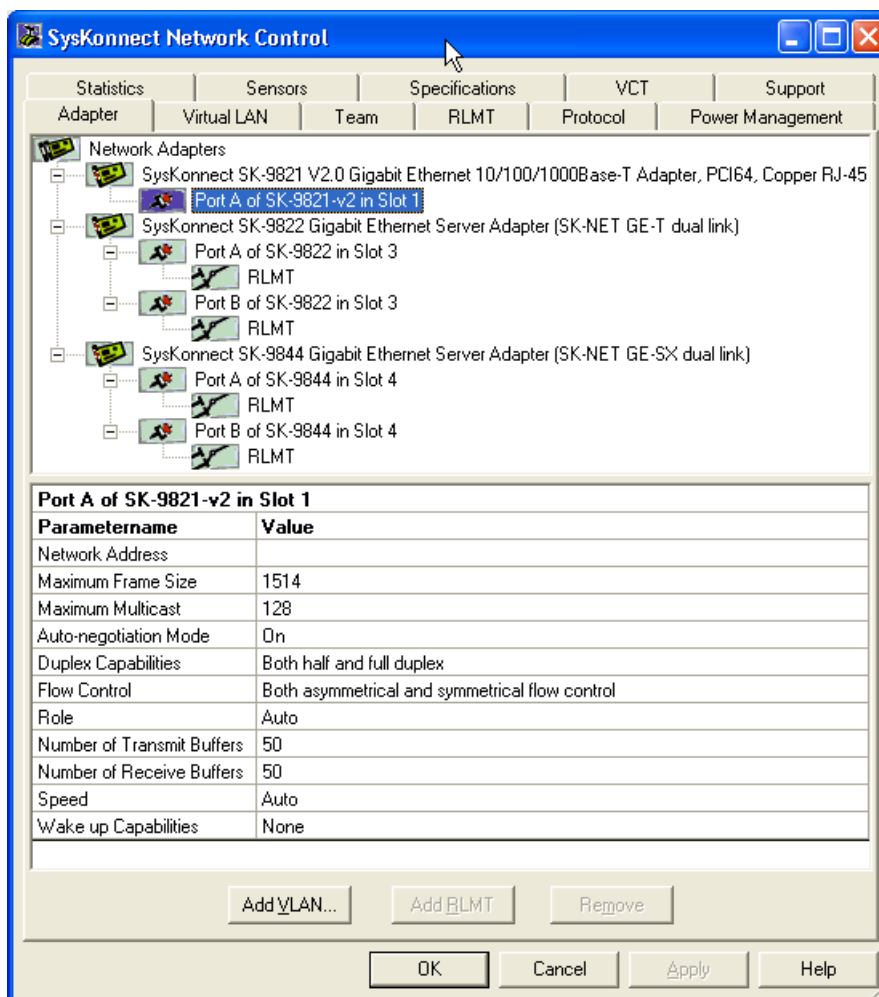


Figure 3. Adapter Overview in “SysKconnect Network Control”

For more information on the “SysKconnect Network Control”, refer to the online help available for this program (click the HELP button when the program is running).

Virtual LAN (VLAN) support

A Virtual LAN is a group of network devices that belong to the same network segment, regardless of the physical network structure. A logical network structure based on business requirements is possible. With virtual networks, physical location no longer specifies the network a user is assigned to: user clients with similar networking requirements can be united in one network group, or VLAN. This VLAN can be established to meet a wide variety of organizational or technical needs. All members of a department can, for example, be gathered into a network group, even if they are distributed over several buildings. Colleagues working on the same project can be united in a common VLAN, even if they belong to different departments in different buildings or even different locations. Other network groups can be made invisible to these users. Using Virtual LANs can improve network performance, limit broadcast storms, minimize security problems and ease the management task.

By means of frame tagging, SysKonnnect SK-98xx V2.0 Gigabit Ethernet Adapters can support up to 64 IP address assignments in a single network connection. Thus, multiple VLANs can be configured for one port. Stations can be accessed from systems in multiple IP sub nets without traversing routers. Additionally, multiple application VLANs can be defined to isolate traffic for performance and security purposes. For this reason, the server can be physically connected to a single switch port but still belong to several VLANs. The Gigabit Ethernet adapter can receive tagged packets and is able to tag outgoing packets. The switch the adapter is connected to must support VLAN tagging according to IEEE 802.1q.

For several operating systems, SysKonnnect offers drivers that support VLAN tagging and thus can be applied for VLAN servers and terminal units.

For more information on Virtual LANs, refer to the White Paper "Virtual Networks", which can be found on the installation CD-ROM under "White Papers" or on our web site under "Technology". Also see the corresponding readme files for the respective drivers.

Virtual Cable Tester™ (VCT)

The VCT technology utilizes Time Domain Reflectometry (TDR) technology to remotely diagnose the quality and characteristics of the attached cables. Using this technology it is possible to detect and report potential cabling issues such as cable opens, cable shorts or any impedance mismatches in the cable and accurately report - within one meter - the distance to the fault. The VCT technology enables the IT manager or the end user to quickly identify the failing mechanism and isolate the source of the problem.

The VCT feature is only available for SysKonnnect SK-9821 V2.0 Gigabit Ethernet 10/100/1000Base-T Adapters. If the port of a SysKonnnect SK-9821 V2.0 Gigabit Ethernet Adapter is selected in the VCT tab of the SysKonnnect Network Control, a table is displayed, which lists the cable pairs, the status of the corresponding cable pair, the distance to the fault (length), and the status of the test (see figure 4). If at the selected adapter a link is up, DSP (Digital Signal Processor) is activated, which reports the speed of the connection and the length of the cable (only if link is at Gigabit speed). VCT cannot be started if the link is active.

The following states of a cable pair are possible after VCT has been executed:

- `Normal cable`
The cable pair is connected correctly.
- `Short cable`
Two or more cable pairs are short-circuited together. VCT reports the distance to the short-circuit in meters.
- `Open cable`
Lack of continuity between the pins at each end of the twisted-pair cable, i.e. the cable pair is not connected correctly. VCT reports the distance to the open location in meters.
- `Test failed`
The test of the cable pairs was not successful.
- `Impedance mismatch`
The impedance on the cable pair is not correct. Possible reasons for impedance mismatch:
 - The cable pair is not connected properly.
 - The cable pair is damaged.
 - The connector is faulty.VCT reports the distance to the impedance mismatch in meters.

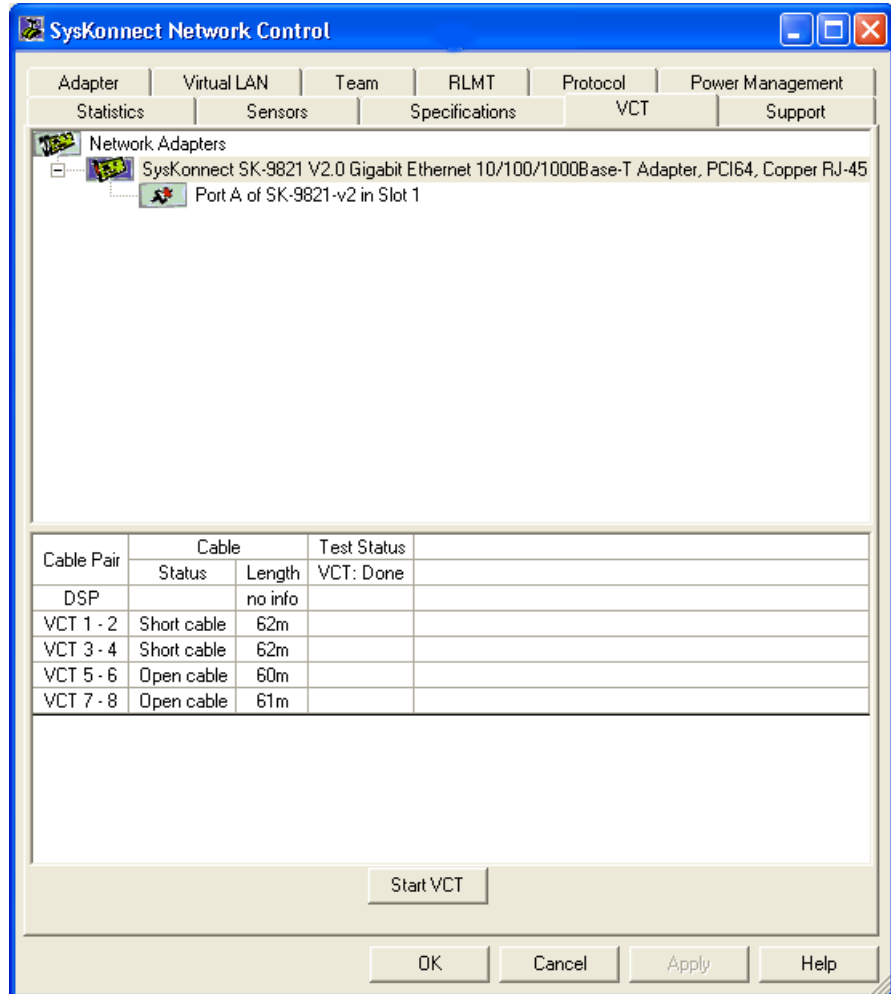


Figure 4. Display after a VCT test

6 Testing the Network Adapter

Diagnostics Program

The network adapter can be tested with the supplied diagnostics program (running on DOS). The diagnostics program runs offline, i.e. normal operation of the network adapter can not be maintained. During testing the link of the tested port will be down, i.e. no data can be transferred. The following tests are available:

- Simple test without loopback:
This test covers all components but not the port (socket including components for transmitting/receiving the data signals).
- Comprehensive port test with loopback:
All components are tested, including the port.



The tests do not run in a Windows NT DOS box.

Loopback Test for Fiber Adapters

To perform the loopback test on fiber adapters, you will need a loopback connector (see figure 5 "Setup for loopback testing").

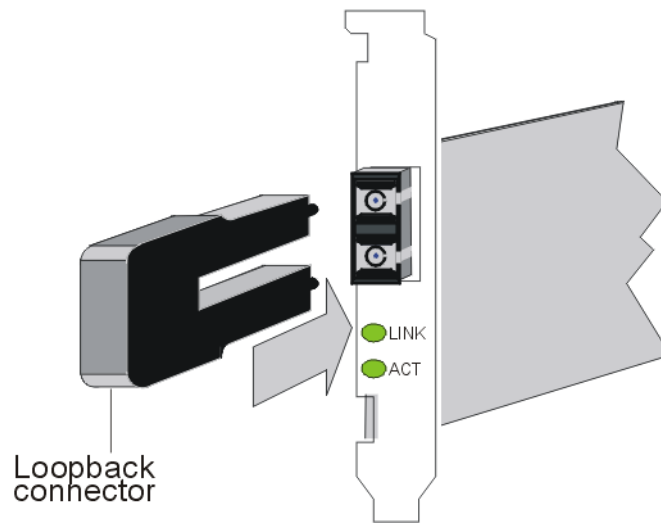


Figure 5. Setup for loopback testing



Observe the safety instructions given in section "Safety Instructions".

To test the adapter, proceed as follows:

1. Switch off the computer.
2. If the computer is still connected to the data network, unplug the data cable from the network adapter's port.
3. Connect the network adapter as follows:
 - For the simple test: Insert the protective plugs into the ports.
 - For the loopback test: Insert the loopback connector into the port.
4. Boot to DOS.
Wait until the operating system is loaded and the DOS prompt is displayed.
5. Insert the installation CD-ROM into the CD-ROM drive.
6. Go to the appropriate product directory.
7. Type `sk98diag`.
8. Press <Enter>.
9. From the main menu of the diagnostics program, select one of the following:
 - DIAGNOSTICS for the simple test (no loopback)
 - LOOPB. WRAP PLUG for the loopback test or
 - LOOPB. PORT TO PORT for the port-to-port test (only with dual link adapters).

The various components will now be tested; this will take between one and two minutes. If the test was successful, the following window (or similar) will be displayed:

```

Diagnostics v6.00 (20020718)           Free Mem. 110 kB           00:00:00:29
SK-9821 U2.0 Gigabit Ethernet 10/100/1000 Base-T Adapter
Output none                           UDS not installed

Main menu
-----
Exit
Diagnostics
Loopb. Wrap Plug
Repeater Mode
Show Configuration
Show Sensors
Flash PROM ...
UPD Data ...

Board register check ..... passed
On board timer check ..... passed
On board memory check ..... passed
DMA engine check ..... passed
LAN Interface check ..... passed
Bus throughput tests ..... passed
*** All tests passed successfully ***

Measuring DMA speed:
DMA speed : 99.430 MB/s
*** DMA speed measured successfully ***
Press any key to continue ...

```

Figure 6. Typical screen display after a successful test

You can follow the progress of the test in the right-hand window. Each test is displayed as it is being performed (e.g. BOARD REGISTER CHECK).

If the test is successful, the word `passed` is issued at the end of the line and the next test is started. If there is a problem, the word `failed` is issued.

If errors are reported, follow the instructions that are displayed.

10. Check the configuration and, if necessary, repeat the test (see section "Failure of a Test").
11. To continue testing, press any key.
12. To quit the diagnostics program, select EXIT in the main menu.
13. Remove the loopback connector from the port.
14. (Re)connect the ports to the data network



If the adapter is not connected immediately to the data network, insert the protective plug for safety reasons (otherwise laser light may be emitted) and as a protection against dust and dirt.

Repeater Test for Copper Adapters

For the SK-982x adapter series the test via wrap plug is not available. However, loopback testing may be carried out by connecting the adapter to another adapter installed in a second computer running in repeater mode (further known as the “repeater computer”). The computer in which the adapter is installed, which is to be tested, is called “test computer”.

To carry out the test, proceed as follows:

1. Install a copper adapter in the “repeater computer”.
2. Boot the “repeater computer” to DOS.
Wait until the operating system is loaded and the DOS prompt is displayed.
3. Insert the installation CD-ROM into the CD-ROM drive.
4. Go to the product directory.
5. Type `sk98diag`.
6. Press <Enter>.
7. From the main menu of the diagnostics program, select REPEATER MODE.
8. Select the port which is to be tested, e.g. A (for single link adapters, only A is available).
9. Press <Enter>.
The window “Repeater Mode Port A” is displayed.
10. Install a copper adapter in the “test computer”.
11. Connect the adapter in the “repeater computer” to the adapter in the “test computer”. Use a category 5 cable with RJ-45 plugs.
12. Boot the “test computer” to DOS.
Wait until the operating system is loaded and the DOS prompt is displayed.
13. Insert the installation CD-ROM into the CD-ROM drive.
14. Go to the product directory.
15. Type `sk98diag`.
16. Press <Enter>.
17. From the main menu of the diagnostics program, select LOOPB. WRAP PLUG.
18. Press <Enter>.
When the test was successful, the message “All tests passed successfully” is displayed.
When the test fails, the message “failed” is displayed. The further procedure is described in section “Failure of a Test”.
19. Press any key to continue.
20. On the “test computer”, quit the diagnostics program with EXIT.
21. On the “repeater computer”, quit the diagnostics program with EXIT.

Failure of a Test

```

Diagnostics v6.00 (20020718)           Free Mem. 110 kB           00:00:01:30
SK-9821 U2.0 Gigabit Ethernet 10/100/1000 Base-T Adapter
Output none                           UDS not installed

Board register check ..... passed
On board timer check ..... passed
On board memory check ..... passed
DMA engine check ..... passed
LAN Interface check ..... passed
Bus throughput tests ..... failed

Please check that a wrap plug is installed
Press any key to continue

```

Figure 7. Typical error message from the diagnostics program

For a test to be completed successfully, each of the following conditions must be met:

- The network adapter operates correctly.
- The network adapter is cabled correctly for the test or is equipped with the correct connectors.
- The network adapter has been installed correctly in the computer.

The message `failed` does not necessarily imply that the network adapter is faulty.

If the message `failed` is issued, proceed as follows:

1. Follow the instructions that are displayed in the window below the list of tests.
2. Make sure that the adapter is inserted correctly and the ports are connected properly (connectors are firmly seated, the correct end of the cable is connected).

If it is necessary to install the network adapter again, proceed as follows:

1. Switch off the computer.
Observe the safety and handling instructions (see page 11).
2. Remove the computer cover.
Follow the instructions in the computer manual.
You may need a screwdriver to loosen the screws from the cover.
3. Make sure the network adapter is properly seated in the PCI bus slot on the motherboard.
4. If not, do not remove the network adapter completely but raise it sufficiently to withdraw it from the PCI bus slot.
5. Carefully realign the bus connector on the network adapter with the PCI bus slot.
6. Press the network adapter until it is firmly seated in the slot.
7. Return to step 7 of the loopback test and to step 5 of the repeater test ("Type `sk98diag`").
8. Repeat the test.
If the defect persists, contact your vendor. If you wish to return faulty material directly to SysKconnect, follow the instructions given in section "Returning an Adapter for Repair".
9. To quit the diagnostics program, select EXIT in the main menu.
10. If necessary, remove the loopback connector from the port.
11. (Re)connect the ports to the data network.

Additional Functions of the Diagnostics Program

Checking Other Displays and Data

In addition to performing the three network adapter tests, the diagnostics program can also read out network adapter-specific data that may be useful for pinpointing the causes of failure.

You can

- read sensor data,
- read configuration data,
- read and write VPD data,
- read and write Flash EPROM data.

Main Program

To start the main program, proceed as follows:

1. Boot to DOS.
Wait for the prompt.
2. Insert the installation CD-ROM into the CD-ROM drive of the computer in which the network adapter is installed.
3. Type the letter of your CD-ROM drive (e.g. D:)
4. Go to the appropriate product directory.
5. Type `sk98diag`.
6. Press <Enter>.

The main menu will be displayed:

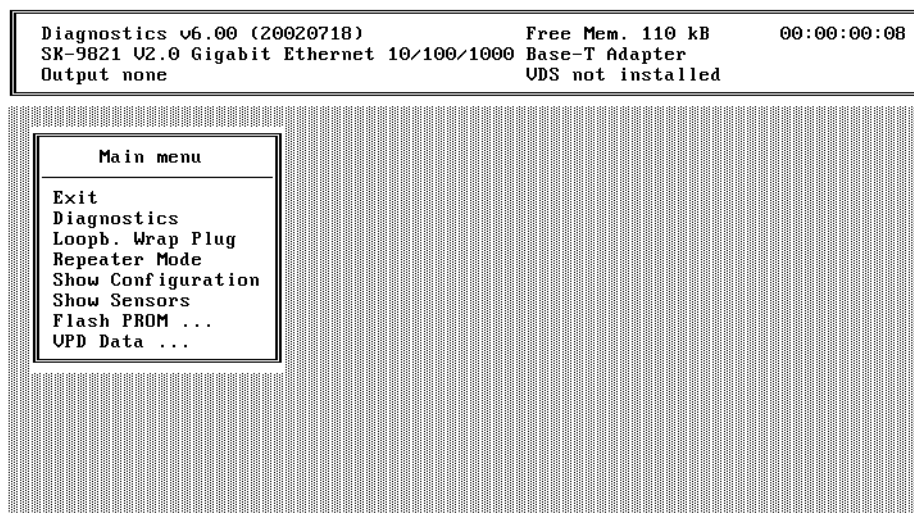


Figure 8. Diagnostics program, main menu

7. Select the appropriate item from the menu (see figure 8).
8. To quit the program, select EXIT in the main menu.
This option is automatically offered for selection if you did not select a menu item previously.

Reading Sensor Data

To read sensor data, proceed as follows:

1. Start the main program (see page 49).
2. Select SHOW SENSORS in the main menu.

A separate window will be displayed for the following sensor data:

- Temperature of the board
- Voltage on the PCI card
- Voltage on the PCI I/O lines
- Other supply voltages

In the main menu, SHOW SENSORS changes to HIDE SENSORS.

3. You can close the window by selecting HIDE SENSORS in the main menu.
Other windows may be opened while this window is still open, e.g. the window displaying the configuration data.

Reading Configuration Data

To read configuration data, proceed as follows:

1. Start the main program (see page 49).
2. Select SHOW CONFIGURATION in the main menu.

A separate window will be displayed showing:

- Device code (Device)
- Various vendor codes (Vendor)
- Interrupt no. (IRQ)
- Cache Line Size (CLS)
- Latency (Lat.)
- RAM size (RAM)
- PCI slot index and size (Slot and Slot size)
- PCI bus clock (clk)
- MAC address (MAC Addr)
- Port type (PMD-Type)
- Connector (connector)
- Hardware revision (HW Rev)
- Chip ID (Chip Id)

In the main menu, SHOW CONFIGURATION changes to HIDE CONFIGURATION.

3. You can close the window by selecting HIDE CONFIGURATION in the main menu.
Other windows may be displayed while this window is still open, e.g. the window displaying the sensor data.

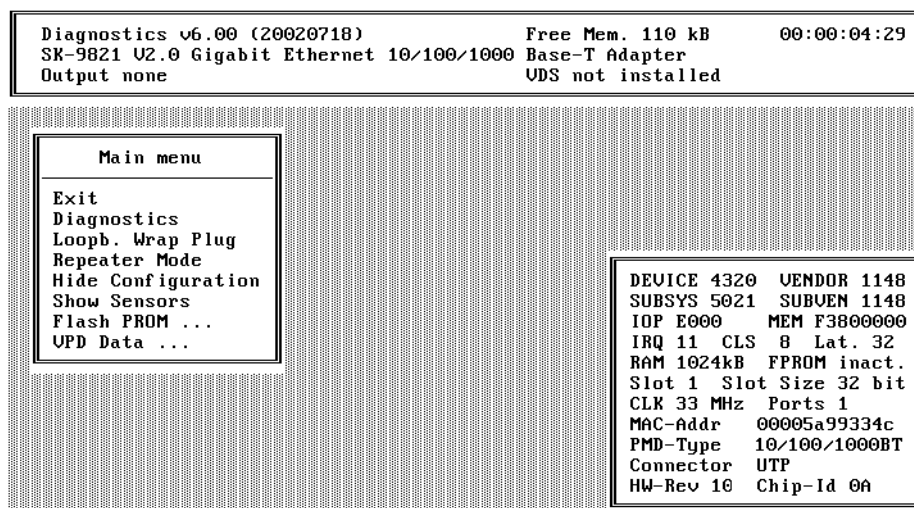


Figure 9. Display of configuration data

Reading VPD Data

To read VPD data (*Vital Product Data*), proceed as follows:

1. Start the main program (see page 49).
2. Select VPD DATA in the main menu.

A submenu with the following options will be displayed:

- EXIT (return to the main menu)
- DISPLAY VPD DATA
- CLEAR ERROR LOGS
- ADD/MODIFY VPD DATA (you can enter user-defined data and keywords here)
- DELETE VPD KEYWORDS

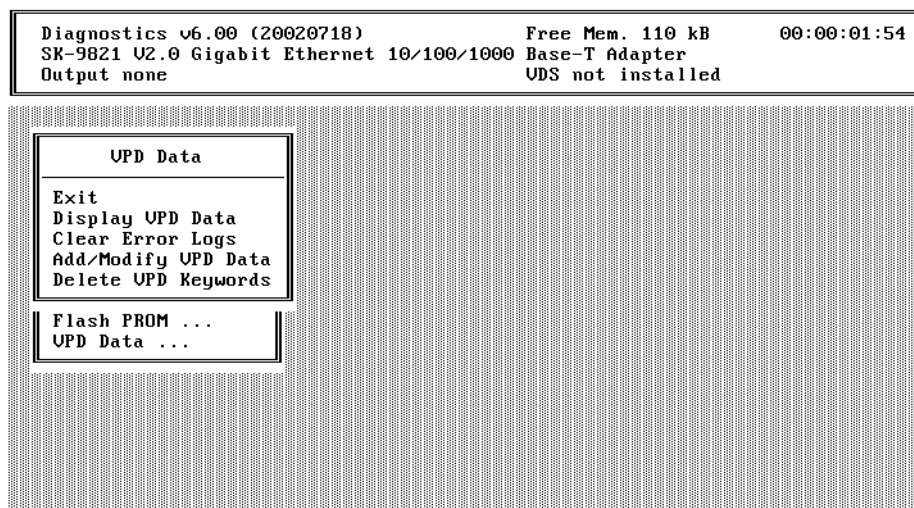


Figure 10. VPD Data menu

3. Select the desired option
or
Return to the main menu by selecting EXIT (default option).

Sample Usage of VPD Data/Asset Tag

Example

You want to store the inventory number of the network interface adapter (123-45) in the asset tag.

To store the inventory number, proceed as follows:

1. Look at all the VPD data to determine the code for the asset tag.
2. Start the main program (see page 49).
3. Select VPD DATA > DISPLAY VPD DATA.

The following screen is displayed:

```

Diagnostics v6.00 (20020718)           Free Mem. 110 kB           00:00:00:12
SK-9821 U2.0 Gigabit Ethernet 10/100/1000 Base-T Adapter
Output none                           UDS not installed

Display VPD Data: <Enter> to exit

Product Name:
SK-9821 U2.0 Gigabit Ethernet 10/100/1000 Base-T Adapter

VPD Read Only Area:                   0 bytes unused
Board Part Number (PN): SK-9821 U2.0
Engineering Level (EC): Rev. 1.0
Manufacturer ID (MN): SysKonnnect
Serial Number (SN): CAA10L999334C
Extended Capabil. (CP): 0x01, 0x10, 0x03cc

VPD Read/Write Area:                  121 bytes available
Asset Tag ID (YA): < Keyword not present >
First Error Log (UF): < Keyword not present >
Last Error Log (UL): < Keyword not present >

```

Figure 11. Display of VPD data

The keyword codes are shown in brackets. Here, the code is YA.

4. To return to the VPD DATA menu, press <Esc>.
5. Now select ADD > MODIFY VPD DATA.
A dialog window will be displayed.
6. Enter the code YA.
7. Press <Enter>.
A further dialog window will be displayed.
8. Enter the inventory number: Invent. No. 123-45
9. Press <Enter>.
10. To return to the VPD DATA menu, press <Esc>.
You can now check the entry.
11. Go to DISPLAY VPD DATA again.

After modifying the asset tag your screen should display the following:

```
Diagnostics v6.00 (20020718)           Free Mem. 110 kB           00:00:01:08
SK-9821 V2.0 Gigabit Ethernet 10/100/1000 Base-T Adapter
Output none                           VDS not installed

Display UPD Data: <Enter> to exit

Product Name:
SK-9821 V2.0 Gigabit Ethernet 10/100/1000 Base-T Adapter

UPD Read Only Area:           0 bytes unused
Board Part Number (PN): SK-9821 V2.0
Engineering Level (EC): Rev. 1.0
Manufacturer ID (MN): SysKconnect
Serial Number (SN): CAA10L999334C
Extended Capabil. (CP): 0x01, 0x10, 0x03cc

UPD Read/Write Area:         100 bytes available
Asset Tag ID (YA): Invent. No. 123-45
First Error Log (UF): < Keyword not present >
Last Error Log (UL): < Keyword not present >
```

Figure 12. Screen showing updated asset tag

For more information on the diagnostics program, refer to the readme file.

To open the readme file, proceed as follows:

1. Insert the installation CD-ROM into your CD-ROM drive.
2. On the start page of the CD-ROM, click DRIVERS.
3. Select GIGABIT ETHERNET.
4. Select SK-98XX GIGABIT ETHERNET ADAPTERS.
A window showing all Gigabit Ethernet network adapters is displayed.
5. Select your network adapter, e.g. SK-9821.
6. Click ADAPTER DIAGNOSTICS.
The readme file for the diagnostics program is displayed.

7 Troubleshooting

Searching for errors

Problem	What to do
Another expansion card fails to work after the network adapter has been installed	<p>Make sure all cables are connected to the correct expansion cards.</p> <p>Make sure the expansion cards are correctly inserted and check if any internal connections in the computer have been disengaged or were damaged during the installation of the network adapter.</p> <p>Check for resource conflicts in the computer. Check PCI configuration and resource allocation.</p>
The computer does not detect the network adapter	<p>Make sure the adapter is properly seated in the computer.</p> <p>Try installing the adapter in a different bus master compatible PCI slot.</p>
The network adapter fails during normal operation	<p>Load or install the driver again.</p>
Loopback test is successful (see page 45) but link LED does not light (no connection)	<p>Remove the SC duplex connector, reverse the positions of RX and TX, and insert it again.</p> <p>Check the connections and try another switch port if necessary.</p> <p>Is switch configuration 1000 Mbit/s set?</p> <p>Is the network driver loaded?</p> <p>Is the maximum transmission distance exceeded (see table on page 15)?</p>
LEDs for transmit/receive data packets (TX/RX) are not illuminated	<p>Make sure the network driver is loaded.</p> <p>Is there any network overload?</p> <p>Is switch configuration 1000 Mbit/s set?</p> <p>Is the maximum transmission distance exceeded (see table on page 15)?</p> <p>If you have any other SysKonnnect adapter installed, compare your setup with this adapter.</p>

If the problem persists, you can analyze the status of the network adapter with the aid of the LEDs and the diagnostics program.

LED Displays

Once the driver has been installed, the adapter is operational. The current status is indicated by the LEDs.

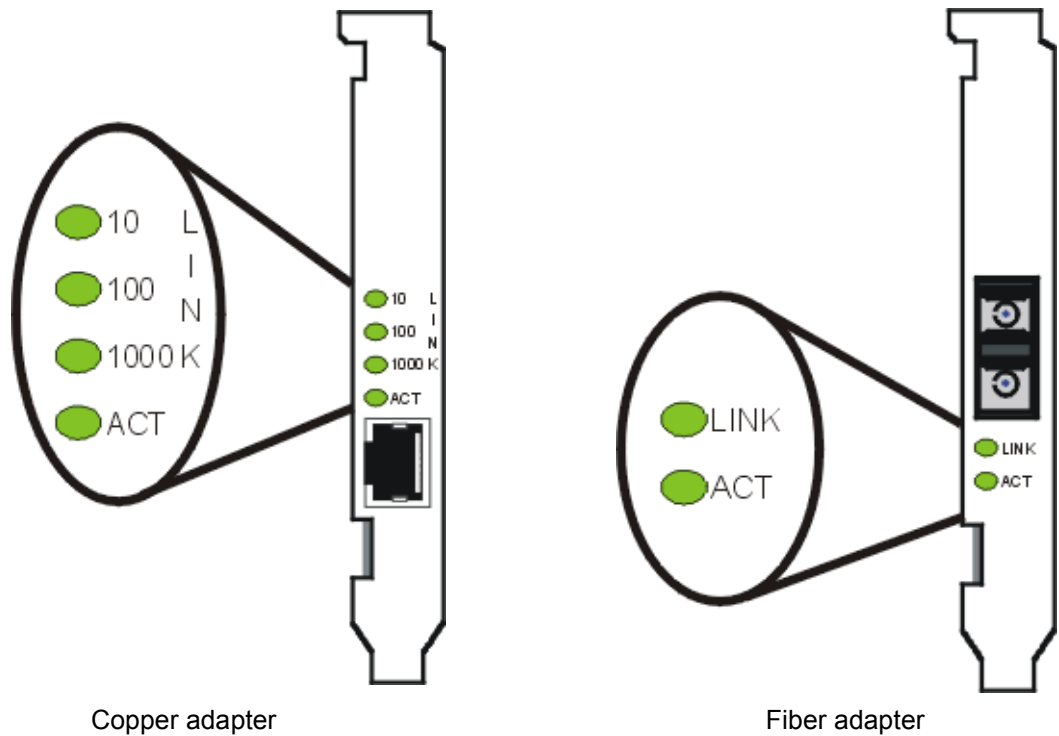


Figure 13. Location of the LEDs

The LEDs for the copper adapter have the following meaning:

Marking on bracket	Color	Status	Description
10	green	ON/OFF	Link up/down, speed 10 Mbit/s
100	green	ON/OFF	Link up/down, speed 100 Mbit/s
1000	green	ON/OFF	Link up/down, speed 1000 Mbit/s
ACT	green	ON/OFF	Receiving/Transmitting / Not Receiving / Not Transmitting

The LEDs for the fiber adapter have the following meaning:

Marking on bracket	Color	Status	Description
LINK	green	ON/OFF	Link up/down, speed 1000 Mbit/s
ACT	green	ON/OFF	Receiving/Transmitting / Not Receiving / Not Transmitting

8 Important Information

Technical Support

If you encounter any problems, read the relevant sections of the manual and the readme files on the CD-ROM. If you cannot solve your problems, consult our technical support.

If you contact our technical support engineers, have the following information ready:

- adapter type
- driver version
- operating system
- configuration of your computer
- type of cabling

Our support team can be reached as follows:

	North/South America, Pacific Rim	Europe
Office hours	24 hours support via paging service	Mon-Thu 8:00 AM - 6:00 PM Fri 8:00 AM - 03:30 PM (CET)
Phone	+1 866 782 2507 (toll free in the USA) +1 408 222 0666 (toll number for international callers) +1 408 787 5395 (pager)	+49 7243 502 330
Fax	+1 408 752 9029	+49 7243 502 364
WWW	http://www.syskonnnect.com	http://www.syskonnnect.com
E-mail	support@syskonnnect.com	support@syskonnnect.de
Address	SysKonnnect, Inc. A Marvell@Company 700 First Avenue Sunnyvale, CA 94089 USA	SysKonnnect GmbH A Marvell@Company Siemensstr. 23 D-76275 Ettlingen Germany

Calls received outside office hours in Europe are serviced by an answering machine and will be dealt with as soon as possible.

Returning an Adapter for Repair

If you want to return a faulty product to SysKonnnect, follow these steps:

1. Contact us by phone, fax, or e-mail.

	North/South America, Pacific Rim	European and other countries
Phone	+1 866 782 2507 (toll free) +1 408 222 0666 (toll number)	+49 7243 502 476
Fax	+1 408 752 9029	+49 7243 502 364
E-mail	support@syskonnnect.com	rma@syskonnnect.de

We will send you an RMA (Return Material Authorization) form by fax or e-mail.

2. Complete the form.

3. Return the form to us.
We will send you a unique reference number and inform you if the product is still under warranty.
4. Send us the faulty product packed in an antistatic bag, with a copy of the completed form enclosed in its original packaging (or comparable packaging).
5. Write the reference number issued by SysKonnnect clearly visible on the outer packaging.



SysKonnnect cannot accept any returned product without an RMA number on the outer packaging. The warranty does not apply to products that have been damaged by electrostatic discharge or inadequate packaging.

Additional Documentation and Updates

On the installation CD-ROM additional information is available, i.e. about other SysKonnnect products or other language versions of this manual.

To view a document on the CD-ROM, proceed as follows:

1. Insert the installation CD-ROM into your CD-ROM drive.
2. On the start page of the CD-ROM, click DOCUMENTATION.
A list with the available manuals is displayed.
3. Click the appropriate document.
The PDF file is displayed.

SysKonnnect maintains a site on the World Wide Web where you can find the latest information on our product range and our customer support services. The latest drivers are also provided on the SysKonnnect web site.

To download the latest drivers from our web site, proceed as follows:

1. Visit our web site: <http://www.syskonnnect.com>.
2. Click the button DRIVER LIBRARY.
The latest drivers, sorted by product groups, can be found here.
3. Click the appropriate network technology, e.g. GIGABIT ETHERNET.
4. Select the product family, e.g. SK-98XX GIGABIT ETHERNET ADAPTER.
The available drivers for this product family are displayed.
5. Click the appropriate driver.
6. Click the diskette symbol to download the driver.

Technical Specifications

Network interface standard	IEEE 802.3z, IEEE 802.3ab, IEEE 802.3x, IEEE 802.1p, IEEE 802.1q, IEEE 802.3, IEEE 802.3u, IEEE 802.3ac, IEEE 802.3ad
Supported buses	32- and 64-bit PCI/PCI-X slots with clock speeds from 16 MHz (PCI 33) to 66 MHz (PCI 66)
Bus width	64-bit; supports 32-bit operation in 32-bit PCI slot
RAM	128 KB RAM on-chip buffer
Flash EPROM	128 KB
Serial EEPROM	Maximum size: 2 KB EEPROM contains VPD
Power management	Advanced Power Management according to PCI Bus Power Management Interface Specification, Revision 1.1 or later and Network Device Class Power Management Reference Specification V2.0
Safety standards	Europe: EN60950 – IEC 60950 – VDE 0805 USA/Canada: cULus listed accessory (UL 60950, CSA C22.2) International: CB certification
Safety standard Transceiver	USA: Transceiver complies with U.S. 21CFR, 1040.10, 1040.11
Approved use	SK-98xx V2.0 adapters are intended for use with UL-listed Personal Computers
EMC standards	Europe: EN55022; IEC – CISPR-22 Class B EN 55024 USA: FCC, CFR 47 Part 15, Declaration of Conformity, Class B
Power consumption	SysKonnnect SK-9821 V2.0 Gigabit Ethernet 10/100/1000Base-T, RJ-45: @ + 5V / VCC_I/O: max. 7.5W @ +3.3V(aux)/+5V: max. 375mA SysKonnnect SK-9843 V2.0 Gigabit Ethernet 1000Base-SX, SC: @ + 5V / VCC_I/O: max. 7.5W
Measures (max.)	167.7mm x 64.41mm
Temperature range	Operation: 0°C to +50°C Storage: -20°C to +70°C
Relative humidity	Operation: 30% to 80% non-condensing Storage: 10% to 95% non-condensing
Warranty	5 years

Appendix A. License and Warranty Information

The Americas, Asia, Australia, New Zealand, Pacific

Dear Customer,

if you acquired your SysKconnect product in the UNITED STATES, CANADA or any other country in the AMERICAS, ASIA, AUSTRALIA, NEW ZEALAND, PACIFIC, the following license and purchase agreement applies to you.

This is a legal agreement between you, the end user and SysKconnect Incorporation, a California U.S.A. Incorporation (SysKconnect Inc.).

SysKconnect Inc. License and Purchase Agreement

By opening the sealed disk package and taking possession of the hardware, you are agreeing to be bound by the terms of this Agreement. If you do not agree to the terms of this Agreement, promptly return the unopened and unused disk package and hardware with the accompanying items (including all written materials and other accessories) to the place of purchase for a full refund.

Grant of Software License

This SysKconnect Inc. License Agreement (License) permits you to use one copy of the SysKconnect Inc. software product acquired with this License ("SOFTWARE") on any single computer, provided the SOFTWARE is in use on only one computer at any time. If you have multiple Licenses for the SOFTWARE, then at any time, you may have as many copies of the SOFTWARE in use as you have Licenses. The SOFTWARE is "in use" on a computer when it is loaded into the temporary memory (i.e. RAM) or installed into the permanent memory (e.g. hard disk or other storage device) of that computer, except that a copy installed on a network server for the sole purpose of distribution to other computers is not "in use". If the anticipated number of users of the SOFTWARE will exceed the number of applicable Licenses, then you must have a reasonable mechanism or process in place to assure that the number of persons using the SOFTWARE concurrently does not exceed the number of Licenses. If the SOFTWARE is permanently installed on the hard disk or other storage device of a computer (other than a network server) and one person uses that computer more than 80% of the time it is in use, then that person may also use the SOFTWARE on a portable or home computer.

Copyright

The SOFTWARE is owned by SysKconnect Inc. or its suppliers and is protected against copying by copyright laws, international treaty provisions and other national laws.

If the SOFTWARE is not copy protected you may either make one copy of the SOFTWARE solely for backup or archival purposes, or transfer the SOFTWARE to a single hard disk provided you keep the original solely for backup or archival purposes.

You may not copy the Product Manual(s) or written materials accompanying the SOFTWARE or HARDWARE.

Other Restrictions

You may not rent or lease the SOFTWARE or HARDWARE, but you may transfer your rights under this SysKconnect Inc. License and Purchase Agreement on a permanent basis provided you transfer all copies of the SOFTWARE and all written materials, and the recipient agrees to the terms of this Agreement. You may not reverse engineer, decompile or disassemble the SOFTWARE. Any transfer must include the most recent update and all prior versions.

Hardware

SysKconnect Inc. warrants, that the hardware will be delivered free from defect and in working condition. SysKconnect Inc. does not assume liability for nor warrant damage to the hardware after delivery. SysKconnect also does not warrant total applicability for specific applications or customer Network environments.

Limited Warranty for Hardware and Software

Limited Warranty

SysKconnect Inc. warrants that the SOFTWARE will perform substantially in accordance with the accompanying Product Manual(s) for a period of 90 days from the date of receipt.

SysKconnect warrants

that NETWORK INTERFACE CARDS will be free from defects in materials and workmanship under normal use and service for a period of 5 years from the date of receipt, that NETWORK INFRASTRUCTURE COMPONENTS (e.g., hubs, switches, concentrators) will be free from defects in materials and workmanship under normal use and service for a period of 2 years from the date of receipt, and other HARDWARE for a period of 6 months from the date of receipt respectively.

This warranty is given by SysKconnect Inc. as producer of the PRODUCT; possible legal warranty or liability claims against the dealer, whom you have acquired your SOFTWARE or HARDWARE product from, shall neither be replaced by nor limited through this warranty.

Customer Remedies

SysKconnect's entire liability and your exclusive remedy shall be, at SysKconnect's option, either return of the price paid, or repair or replacement of the SOFTWARE or HARDWARE that does not meet SysKconnect's Limited Warranty and which is returned to SysKconnect Inc. with a copy of your receipt. This Limited Warranty is void if failure of the SOFTWARE or HARDWARE has resulted from accident, abuse, or misapplication. Any replacement SOFTWARE will be warranted by SysKconnect Inc. only for the remainder of the original warranty period or 30 days, whichever is longer. Any replacement HARDWARE will be warranted for the remainder of the original warranty period or 6 months, whichever is longer.

No other Warranties

SysKonnct Inc. disclaims all other warranties or liabilities with respect to the SOFTWARE, the HARDWARE, the accompanying Product Manual(s) and other written materials and any other accessories.

No Liability for Consequential Damages

SysKonnct Inc. does not warrant the software and hardware for a specific application, nor does SysKonnct Inc. accept any consequential damages due to the use of the hardware or software. SysKonnct Inc. and its suppliers shall not be liable for any other damages whatsoever (including, without limitation, damages for loss of business profits, business interruption, loss of business information or data, property loss or other financial loss), arising out of the use of or the inability to use this SysKonnct Inc. product, even if SysKonnct Inc. has been advised of the possibility of such damages. In any case, SysKonnct's entire liability shall be limited to the amount actually paid by you for the product.

Other

This agreement is governed by the procedural and substantive laws of the State California, U.S.A. UN Trade Laws shall not be applicable in any case.

Should individual stipulations of this Agreement be or become invalid, this invalid stipulation shall be replaced by a stipulation, which is as close as possible to the invalid stipulation.

Should you have any questions concerning this Agreement, or if you desire to contact SysKonnct Inc. for any reason, please use the address information enclosed in this product or write to: SysKonnct Inc., A Marvell@Company, 700 First Avenue, Sunnyvale, CA 94089.

U.S. Government Use

Use, duplication, or disclosure by the United States Government is subject to restrictions as set forth in FAR § 52.227-14 (June 1987) Alternate III(g)(3) (June 1987), FAR § 52.227-19 (June 1987), or DFARS § 52.227-7013 (c)(1)(!!) (June 1988), as applicable. Contractor / Manufacturer is SysKonnct, Inc., A Marvell@Company, 700 First Avenue, Sunnyvale, CA 94089.

Europe

Dear Customer,

if you acquired your SysKonnct product in EUROPE, the following license and purchase agreement applies to you: This is a legal agreement between you, the end user and SysKonnct GmbH, incorporated in Ettlingen/Federal Republic of Germany.

SysKonnct License and Purchase Agreement

By opening the sealed disk package and taking possession of the hardware, you are agreeing to be bound by the terms of this Agreement. If you do not agree to the terms of this Agreement, promptly return the unopened and unused disk package and hardware with the accompanying items (including all written materials and other accessories) to the place of purchase for a full refund.

Grant of Software License

This SysKonnct License Agreement (License) permits you to use one copy of the SysKonnct software product acquired with this License ("SOFTWARE") on any single computer, provided the SOFTWARE is in use on only one computer at any time. If you have multiple Licenses for the SOFTWARE, then at any time, you may have as many copies of the SOFTWARE in use as you have Licenses. The SOFTWARE is "in use" on a computer when it is loaded into the temporary memory (i.e. RAM) or installed into the permanent memory (e.g. hard disk or other storage device) of that computer, except that a copy installed on a network server for the sole purpose of distribution to other computers is not "in use". If the anticipated number of users of the SOFTWARE will exceed the number of applicable Licenses, then you must have a reasonable mechanism or process in place to assure that the number of persons using the SOFTWARE concurrently does not exceed the number of Licenses. If the SOFTWARE is permanently installed on the hard disk or other storage device of a computer (other than a network server) and one person uses that computer more than 80% of the time it is in use, then that person may also use the SOFTWARE on a portable or home computer.

Copyright

The SOFTWARE is owned by SysKonnct or its suppliers and is protected against copying by copyright laws, international treaty provisions and other national laws.

If the SOFTWARE is not copy protected you may either make one copy of the SOFTWARE solely for backup or archival purposes, or transfer the SOFTWARE to a single hard disk provided you keep the original solely for backup or archival purposes.

You may not copy the Product Manual(s) or written materials accompanying the SOFTWARE or HARDWARE.

Other Restrictions

You may not rent or lease the SOFTWARE or HARDWARE, but you may transfer your rights under this SysKonnct License and Purchase Agreement on a permanent basis provided you transfer all copies of the SOFTWARE and all written materials, and the recipient agrees to the terms of this Agreement. You may not reverse engineer, decompile or disassemble the SOFTWARE. Any transfer must include the most recent update and all prior versions.

Hardware

The risk passes to you, the end user, upon taking possession (hand over) of the HARDWARE. Total qualities were not warranted.

Limited Warranty for Hardware and Software

Limited Warranty

SysKonnct warrants that the SOFTWARE will perform substantially in accordance with the accompanying Product Manual(s) for a period of 90 days from the date of receipt if you have created the required technical preconditions.

SysKconnect warrants that NETWORK INTERFACE CARDS will be free from defects in materials and workmanship under normal use and service for a period of 5 years from the date of receipt, that NETWORK INFRASTRUCTURE COMPONENTS (e.g., hubs, switches, concentrators) will be free from defects in materials and workmanship under normal use and service for a period of 2 years from the date of receipt, and other HARDWARE for a period of 6 months from the date of receipt respectively.

Any implied warranties on the SOFTWARE are limited to 90 days, to 5 years on the NETWORK INTERFACE CARDS, to 2 years on the NETWORK INFRASTRUCTURE COMPONENTS and to 6 months on all other hardware. This warranty is given by SysKconnect as producer of the PRODUCT; possible legal warranty or liability claims against the dealer, whom you have acquired your SOFTWARE or HARDWARE product from, shall neither be replaced by nor limited through this warranty.

Customer Remedies

SysKconnect's entire liability and your exclusive remedy shall be, at SysKconnect's option, either

return of the price paid, or repair or replacement of the SOFTWARE or HARDWARE that does not meet SysKconnect's Limited Warranty and which is returned to SysKconnect with a copy of your receipt. This Limited Warranty is void if failure of the SOFTWARE or HARDWARE has resulted from accident, abuse, or misapplication. Any replacement SOFTWARE will be warranted by SysKconnect only for the remainder of the original warranty period or 30 days, whichever is longer. Any replacement HARDWARE will be warranted for the remainder of the original warranty period or 6 months, whichever is longer.

No other Warranties

SysKconnect disclaims all other warranties or liabilities with respect to the SOFTWARE, the HARDWARE, the accompanying Product Manual(s) and other written materials and any other accessories.

No Liability for Consequential Damages

SysKconnect does not warrant the software and Hardware for a specific application, nor does SysKconnect accept any consequential damages due to the use of the hardware or software. SysKconnect and its suppliers shall not be liable for any other damages whatsoever (including, without limitation, damages for loss of business profits, business interruption, loss of business information or data, property loss or other pecuniary loss), arising out of the use of or the inability to use this SysKconnect product, even if SysKconnect has been advised of the possibility of such damages. In any case, SysKconnect's entire liability shall be limited to the amount actually paid by you for the product.

Other

This agreement is governed by the procedural and substantive laws of the Federal Republic of Germany. UN Trade Laws shall not be applicable in any case. Place of litigation is Karlsruhe, FRG, as far as this can be agreed upon operatively in this way.

Should individual stipulations of this Agreement be or become invalid, this invalid stipulation shall be replaced by a stipulation, which is as close as possible to the invalid stipulation.

Should you have any questions concerning this Agreement, or if you desire to contact SysKconnect for any reason, please use the address information enclosed in this product or write to: SysKconnect GmbH, Siemensstrasse 23, D-76275 Ettlingen.

Deutschland, Schweiz, Österreich, Liechtenstein

Verehrte Kundin, verehrter Kunde

wenn Sie Ihr SysKconnect Produkt in DEUTSCHLAND, in der SCHWEIZ, in ÖSTERREICH oder in LIECHTENSTEIN erworben haben, gilt für Sie der folgende Lizenz- und Kaufvertrag. Dies ist ein rechtsgültiger Vertrag zwischen Ihnen, dem Endanwender, und der SysKconnect GmbH mit Sitz in Ettlingen/Bundesrepublik Deutschland.

SysKconnect Lizenz- und Kaufvertrag

Durch Öffnen der versiegelten Diskettenpackung und durch die Inbesitznahme der Hardware erklären Sie sich an die Bestimmungen der nachfolgenden Vereinbarung gebunden. Wenn Sie mit den Bestimmungen dieses Vertrages nicht einverstanden sind, geben Sie bitte die Diskettenpackung und die Hardware ungeöffnet und unbenutzt mit den Begleitgegenständen (einschließlich aller schriftlichen Unterlagen und dem sonstigen Zubehör) unverzüglich gegen volle Rückerstattung des Preises an die Stelle zurück, von der Sie sie bezogen haben.

Einräumung einer Software-Lizenz

Diese SysKconnect Lizenzvereinbarung (Lizenz) gibt Ihnen die Berechtigung, eine Kopie des SysKconnect Software Produktes, das mit dieser Lizenz (Software) erworben wurde, auf einem Einzelcomputer unter der Voraussetzung benutzen, dass die Software zu jeder beliebigen Zeit auf nur einem einzigen Computer verwendet wird. Wenn Sie Mehrfachlizenzen für die Software erworben haben, dürfen Sie immer nur höchstens so viele Kopien in Benutzung haben, wie Sie Lizenzen besitzen. Die Software ist auf einem Computer "in Benutzung", wenn Sie in den Zwischenspeicher (d.h., RAM) geladen oder in einem Permanentenspeicher (z.B. einer Festplatte oder einer anderen Speichervorrichtung) dieses Computers gespeichert ist, mit der Ausnahme, dass eine Kopie, die auf einem Netzserver zu dem alleinigen Zweck der Verteilung an andere Computer installiert ist, nicht "in Benutzung" ist. Wenn die voraussichtliche Zahl der Benutzer der Software die Zahl der erworbenen Lizenzen übersteigt, müssen Sie angemessene Mechanismen oder Verfahren bereithalten, um sicherzustellen, dass die Zahl der Personen, die die Software gleichzeitig benutzen, nicht die Zahl der Lizenzen übersteigt. Wenn die Software permanent auf einer Festplatte oder einer anderen Speichervorrichtung eines Computers, der kein Netzserver ist, installiert wird und eine einzige Person diesen Computer zu mehr als 80 % der Zeit benutzt, die er in Benutzung ist, darf diese eine Person die Software auch auf einem tragbaren Computer oder einem Heimcomputer benutzen.

Urheberrecht

Die Software ist Eigentum von SysKconnect oder deren Lieferanten und ist durch Urheberrechtsgesetze, internationale Verträge und andere nationale Rechtsvorschriften gegen Kopieren geschützt.

Wenn die Software nicht mit einem technischen Schutz gegen Kopieren ausgestattet ist, dürfen Sie entweder eine einzige Kopie der Software ausschließlich für Sicherungs- oder Archivierungszwecken machen die Software auf eine einzige Festplatte übertragen, sofern Sie das Original ausschließlich zu Sicherungs- und Archivierungszwecken aufbewahren.

Sie dürfen weder die Handbücher des Produktes noch anderes schriftliches Begleitmaterial zur Software oder Hardware kopieren.

Weitere Beschränkungen

Sie dürfen die Software oder Hardware weder vermieten noch verleihen, aber Sie dürfen die Rechte aus diesem SysKconnect Lizenz- und Kaufvertrag auf Dauer auf einen anderen übertragen, vorausgesetzt, dass Sie alle Kopien der Software und das gesamte schriftliche Begleitmaterial übertragen und der Empfänger sich mit den Bestimmungen dieses Vertrages einverstanden erklärt. Zurückentwickeln (Reverse Engineering), Dekompilieren und Entassemblieren der Software sind nicht gestattet. Eine Übertragung muß die letzte aktuelle Version (Update) und alle früheren Versionen umfassen.

Hardware

Mit der Inbesitznahme (Übergabe) dieser Hardware geht die Gefahr auf Sie, den Endanwender über. Eigenschaften wurden nicht zugesichert.

Beschränkte Garantie für Hardware und Software

Beschränkte Garantie

SysKconnect garantiert für einen Zeitraum von 90 Tagen ab Empfangsdatum, dass die Software, soweit die technischen Voraussetzungen hierfür von Ihnen geschaffen wurden, im wesentlichen gemäß der begleitenden Dokumentation arbeitet. SysKconnect garantiert für

Netzwerkadapterkarten für einen Zeitraum von 5 Jahren,

Infrastrukturkomponenten (z.B. Konzentratoren, Hubs, Switches) für einen Zeitraum von 2 Jahren und die sonstige Hardware für einen Zeitraum von 6 Monaten ab Empfangsdatum, dass die gelieferte Hardware bei normaler Benutzung und Wartung frei von Material- oder Verarbeitungsfehlern ist. Die Garantie ist bezüglich der Software auf 90 Tage, bezüglich der Netzwerkadapter auf 5 Jahre für Infrastrukturkomponenten auf 2 Jahre und bezüglich der sonstigen Hardware auf 6 Monate beschränkt. Diese Garantie wird von SysKconnect als Hersteller des Produktes übernommen; etwaige gesetzliche Gewährleistungs- oder Haftungsansprüche gegen den Händler, von dem Sie Ihr Exemplar der Software oder Hardware bezogen haben, werden hierdurch weder ersetzt noch beschränkt.

Appendix B. Compliance Statements

FCC Declaration of Conformity Compliance Information Statement - Class B

NOTE: This equipment has been tested and found to comply with the limits for a "Class B" digital device, pursuant to Part 15 of the FCC rules. These limits are designed to provide reasonable protection against harmful interference in a residential installation. This equipment generates, uses and can radiate radio frequency energy and, if not installed and used in strict accordance with the instructions, may cause harmful interference to radio communications. However, there is no guarantee that interference will not occur in a particular installation. If this equipment does cause harmful interference to radio or television reception, which can be determined by turning the equipment off and on, the user is encouraged to try to correct the interference by one or more of the following measures:

Reorient or relocate the receiving antenna.

Increase the separation between equipment and the receiver.

Connect the equipment into an outlet on a circuit different from that to which the receiver is connected.

Consult the dealer or an experienced radio/TV technician for help.

The user may find the following booklet, prepared by the Federal Communications Commission, helpful:

"How to Identify and Resolve Radio-TV Interference Problems".

This booklet is available from the U.S. Government Printing Office, Washington, DC 20402 Stock Number 004-000-00345-4.

SysKconnect is not responsible for any radio or television interference caused by unauthorized modifications of this equipment or the substitution or attachment of connecting cables and equipment other than those specified by SysKconnect. The correction of interference caused by such unauthorized modification, substitution or attachment will be responsibility of the user.

VCCI Statement (Japan)

この装置は、情報処理装置等電波障害自主規制協議会（VCCI）の基準に基づくクラスB情報技術装置です。この装置は、家庭環境で使用することを目的としていますが、この装置がラジオやテレビジョン受信機に近接して使用されると、受信障害を引き起こすことがあります。

取扱説明書に従って正しい取り扱いをして下さい。



Headquarters

SysKonnct GmbH
A Marvell@Company
Siemensstrasse 23
D-76275 Ettlingen

Germany

Phone: + 49 7243 502 100
Support: + 49 7243 502 330
Fax: + 49 7243 502 989

E-mail: sales@syskonnct.de

Americas, Canada,
and Pacific Rim

SysKonnct, Inc.
A Marvell@Company
700 First Avenue
Sunnyvale, CA 94089

USA

Sales: + 1 800 716 3334
+ 1 408 222 0809
Support: + 1 866 782 2507
+ 1 408 222 0666
Fax: + 1 408 752 9040

E-mail: info@syskonnct.com

Europe, Middle East,
and Africa

SysKonnct Ltd.
A Marvell@Company
55 Henley Drive
Frimley Green, Camberley
Surrey, Gu16 6NF

United Kingdom

Phone: + 44 1 252 836 467
Fax: + 44 1 252 836 537

E-mail: sales-uk@syskonnct.de

Visit our web site
www.syskonnct.com

Free Manuals Download Website

<http://myh66.com>

<http://usermanuals.us>

<http://www.somanuals.com>

<http://www.4manuals.cc>

<http://www.manual-lib.com>

<http://www.404manual.com>

<http://www.luxmanual.com>

<http://aubethermostatmanual.com>

Golf course search by state

<http://golfingnear.com>

Email search by domain

<http://emailbydomain.com>

Auto manuals search

<http://auto.somanuals.com>

TV manuals search

<http://tv.somanuals.com>