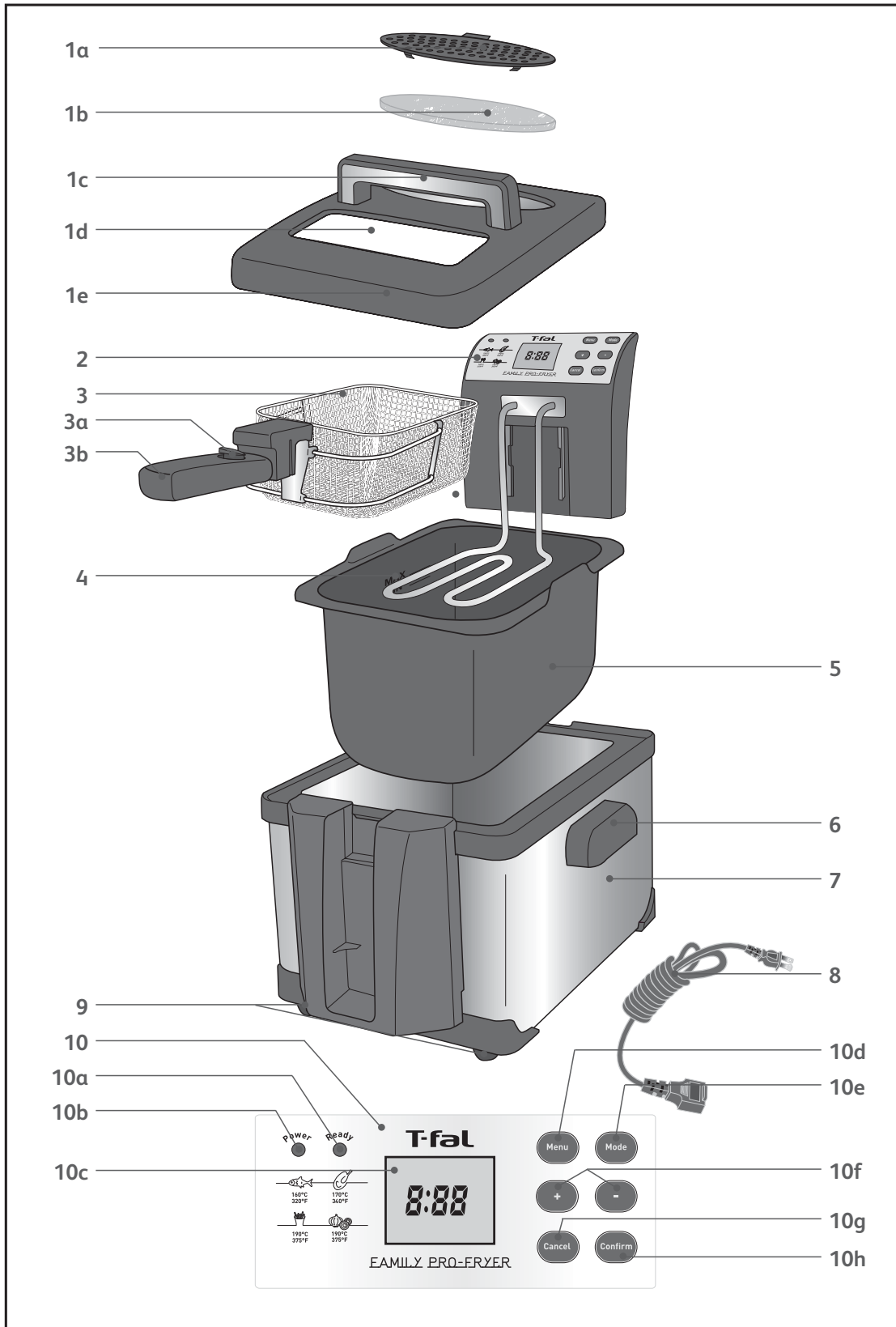


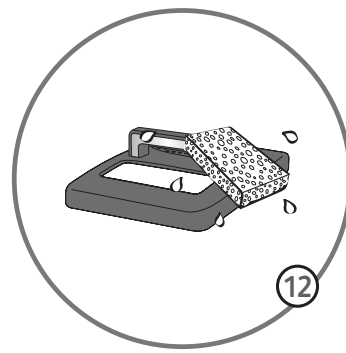
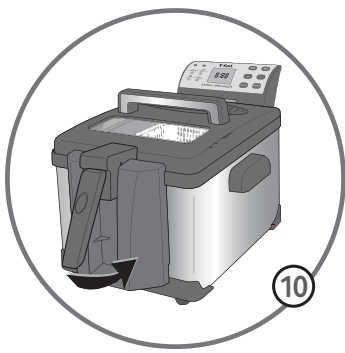
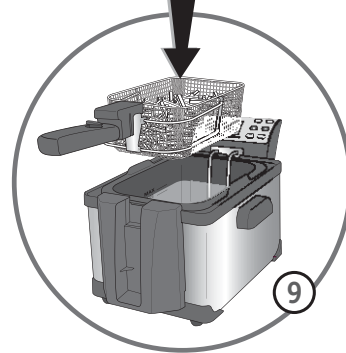
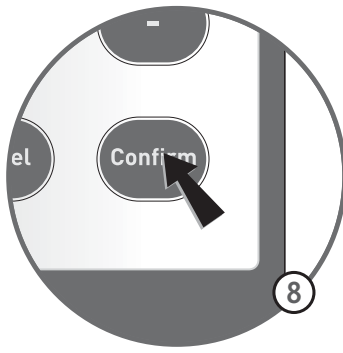
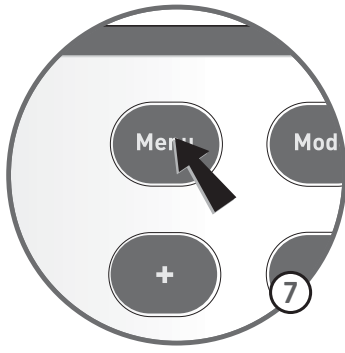
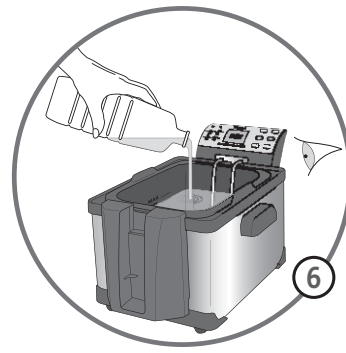
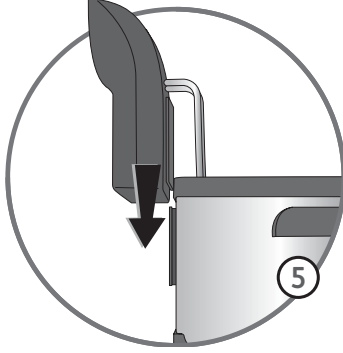
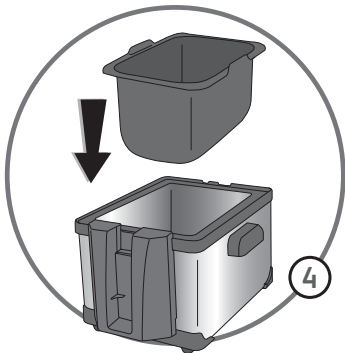
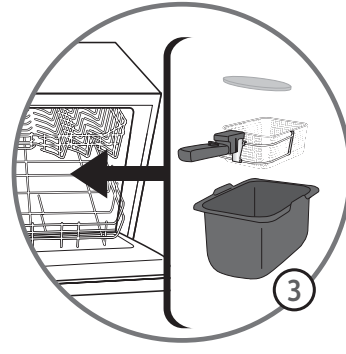
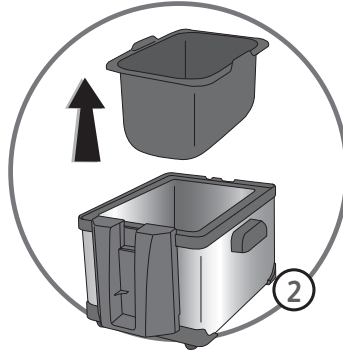
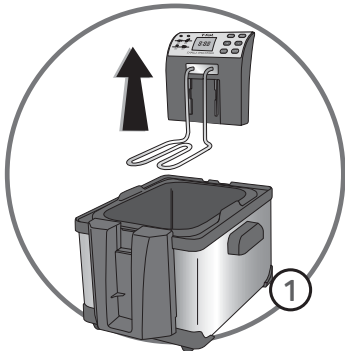
T-fal®

FAMILY PRO-FRYER



www.t-fal.com





IMPORTANT SAFEGUARDS

When using electrical appliances, basic safety precautions should always be followed, including the following:

- 1 Read all instructions before using.
- 2 Before use, check that the voltage power corresponds to the one shown on the appliance nameplate.
- 3 Only connect the appliance to electrical sockets which have a minimum load of 15A. If the sockets and the plug on the appliance should prove incompatible, get a professionally qualified technician to replace the socket with a more suitable one.
- 4 Do not touch hot surfaces. Use handles or knobs.
- 5 To protect against electric shock, do not immerse cord, plug and fryer in water or other liquid.
- 6 Close supervision is necessary when any appliance is used by or near children.
- 7 Unplug from outlet when not in use and before cleaning. Allow to cool before putting on or taking off parts and before cleaning the appliance.
- 8 Do not operate any appliance with a damaged cord or plug or after the appliance malfunctions, or has been damaged in any manner. Return appliance to the nearest authorized service facility for examination.
- 9 The use of accessories not recommended by the appliance manufacturer may cause injuries.
- 10 Do not use outdoors.
- 11 Do not let cord hang over edge of table or counter or touch hot surfaces.
- 12 Do not place on or near a hot gas or electric burner or a heated oven.
- 13 Extreme caution must be used when moving fryer containing hot oil or other hot liquids.
- 14 Always attach plug to appliance first, then plug cord into the wall outlet. To turn off the fryer, press the CANCEL button, then remove plug from wall outlet.
- 15 Do not use appliance for other than intended use.
- 16 Be sure handles are properly assembled to fryer basket and locked in place.

17 **SAVE THESE INSTRUCTIONS. FOR HOUSEHOLD USE ONLY**

- 18 To ensure safe operation, oversized foods must not be inserted into the appliance.
- 19 Ensure that the lid and tank are completely dry after washing and before use.
- 20 Never immerse the fryer basket into the hot oil - or drain it - without the fryer lid in place.
- 21 The oil level must always be between the Min. and Max. markings.
- 22 Do not overload the basket. For safety reasons never exceed the maximum quantity.
- 23 Never operate your fryer without any oil or fat.
- 24 The cooking times are given as guidelines only.
- 25 The oil must be filtered regularly and changed after 8 to 12 uses.
- 26 Do not mix different types of fat or oils.
- 27 If you use solid vegetable shortening, cut it into pieces and melt it over low heat in a separate pot beforehand, then slowly pour it into the deep fryer pot. Never pour shortening directly into the deep fryer pot or basket, as this will lead to deterioration of the appliance.
- 28 If the fryer has a removable pot, never remove it while the deep fryer is on.
- 29 If you have any problems, contact the authorized after-sales service or the internet address www.t-fal.com.

Polarization instructions

If this appliance has a polarized plug (one blade is wider than the other), it is to reduce the risk of electric shock. This plug is intended to fit into a polarized outlet only one way. If the plug does not fit fully into the outlet, reverse the plug. If it still does not fit, contact a qualified electrician. Do not attempt to modify the plug in any way.

Short Cord instructions

Do not use with an extension cord ; a short power supply cord is provided to reduce the risks resulting from being tangled in, or tripping over, a long cord.

The cord is equipped with a detachable magnetic connector. The magnetic connector should be attached directly to the fryer. **THIS SHOULD BE DONE PRIOR TO PLUGGING THE CORD INTO THE WALL OUTLET.**

Protection of the environment

Your appliance contains valuable materials which can be recovered or recycled.

When you decide to replace your appliance, leave it at a local civic waste collection point.

Component description

- | | |
|--|---|
| <ol style="list-style-type: none"> 1. Lid <ol style="list-style-type: none"> a. Filter cover b. Permanent filter c. Handle d. Viewing window e. Lid 2. Removable control unit with heating element 3. Frying basket <ol style="list-style-type: none"> a. Handle unlocking button b. Basket handle with raising & lowering positions 4. Min. and Max. oil level markings 5. Removable bowl | <ol style="list-style-type: none"> 6. Safety carrying handles 7. Housing 8. Removable power supply cord 9. Feet 10. Electronic panel <ol style="list-style-type: none"> a. Temperature ready light b. Power light c. LCD screen d. Menu button e. Mode button f. + and - buttons g. Cancel button h. Confirm button |
|--|---|

Preparation

Before using for the first time

- The fryer can be completely dismantled.
- Remove the lid and clean it with a damp cloth. Dry thoroughly.
- Lift the basket handle horizontally until you hear a “click” as it locks.
- Remove the basket, the control unit and the bowl - fig.1 and fig.2.
- Clean the frying basket and the bowl with a sponge and soapy water or put them in the dishwasher - fig.3.
- Clean the control unit and the heating element with a damp cloth.
- Dry all components thoroughly.
- Place the bowl and the heating element in position - fig.4 and fig.5.

Do not immerse the removable control unit with the heating element in water.

Never wash the lid in the dishwasher.

Make sure that the control unit is correctly positioned, otherwise the fryer cannot function.

Filling the bowl

Never use different types of oil at the same time, as this may cause the oil to overflow.

The oil level must always be kept between the min/max markers. Check the level each time before frying, and add some of the same type of oil if necessary.

- Fill the bowl with oil.
- The oil level should always be between the MIN and MAX level of the bowl - fig.6. Do not exceed the maximum fill line as boiling oil may overflow during frying and can cause severe burns.frying and can cause severe burns.
- For best results, we recommend vegetable oil.
- If you use solid vegetable shortening, cut it into small pieces and melt it in a separate pan. Pour the melted shortening into the fryer bowl.
- Never melt the shortening on the heating element or in the frying basket.

		Oil	Solid vegetable fat
3 Liters	Min.	10 cups / 2.5 l	4.95 lb / 2250g
	Max.	12 cups / 3 l	5.95 lb / 2700 g
4 Liters	Min.	14 cups / 3.5 l	6.95 lb / 3150 g
	Max.	16 cups / 4 l	7.95 lb / 3600 g

Preheating

- After the bowl has been filled with oil, put the lid on the fryer and plug in the appliance without the frying basket. The control unit beeps and the power indicator light begins to flash. The control unit is in standby; it does not heat. The LCD screen shows the default setting, which is French fries, with a temperature of 375 °F and a cooking time of 10 minutes.
- Select the menu :
Press the MENU button - fig.7 on the control unit to select the corresponding MENU setting according to the food you want to fry.
There are four pre-set menu settings as shown in the table below.

Place the fryer:
 - on a steady surface
 - out of the reach of children
 - away from water or heat sources.

COOKING MENUS		
Food	Cooking Time	Temperature
French Fries	10 minutes	375°F
Chicken	15 minutes	340°F
Onion Rings	5 minutes	375°F
Fish	7 minutes	320°F

You can move from one menu setting to another by pressing the MENU button repeatedly.

After having chosen the appropriate MENU setting, you can confirm both the pre-set temperature and time by pressing the CONFIRM button - fig.8. The power light will switch on and the fryer will begin to heat.

- You can also change the default setting as follows:
- Change the default setting:
- Press the MODE button. The thermometer icon and the temperature will flash. Press the + or – button to set the desired temperature. The temperature is adjustable from 140°F to 383°F in 1°F increments. If you press the + or – button continuously, the scrolling will be faster.
- Press the MODE button again, the clock icon and the time will flash. Set the desired time by pressing the + or – button. The time is adjustable from 0 to 99 minutes in 30 seconds increments. If you press the + or – button continuously, the scrolling will be faster.

After the desired temperature and time have been set, press the CONFIRM button.

The power light will switch on and the fryer will begin to heat.

- You can fry other types of food than the ones which are pre-programmed by modifying the temperature and the time of any of the menus.
- Temperature and time follow-up:
At the beginning of the preheating, the LCD screen shows the current (before heating) temperature of the oil. It then will increase until it reaches the set temperature. In this way, you can monitor the oil as it reaches the desired temperature.

Never operate your fryer without any oil or fat in the bowl.

If you set the time to 0 and confirm this setting, the heating element will begin to heat and continue heating during 30 minutes or until you turn it off by pressing the CANCEL button.

After having pressed the CONFIRM button, only the + and - buttons will still work. In case of mistake and to start the selection again, press the CANCEL button.

Loading the basket

Cut food into like-sized pieces so that they cook evenly. Avoid using pieces that are too thick. Shake frozen food to remove excess pieces of ice away from the deep fryer.

4

- Remove excess water, ice or frost from food.
- Fill the basket before placing it in the deep fryer - fig.9. Do not overfill the basket.
Reduce the quantities for frozen foods.
- Remove the lid.

For crispier frozen fries, wash them in cold water and dry them carefully.

- Place the frying basket on the edge of the bowl and leave the handle in the horizontal position.
- Put the lid back on the fryer.

Cooking

Lowering the basket

- When the oil has reached the correct temperature, the ready light (green) comes on and the control unit beeps.
- Press the handle unlocking button and fold the handle very slowly into its housing to lower the basket into the oil - fig.10. Plunging the basket too rapidly in the oil may cause it to overflow.
- Press the CONFIRM button. The timer will start to count down.
- You can modify the cooking time during the cooking by pressing the + or – buttons.
- During cooking, it is normal for the temperature light to go on and off.

For your security, if no food is put into the oil after the ready light has come on, the control unit will turn off the appliance after 30 minutes.

Regardless of the recipe, food must be dried thoroughly before frying. This will prevent the oil from splattering and/or overflowing and will extend the life of the oil.

At the end of cooking time

When the fryer is in use, some parts will be extremely hot and can cause severe burns. Steam coming from the filter is also extremely hot - fig.11. Only touch the knobs and handles of the fryer for your safety.

For crispy fried food, remove the lid as soon as you have finished cooking to prevent steaming.

- Frying is complete when:
 - The timer sounds, indicating the cooking time has elapsed and the food is the desired color and texture.
- If you wish to continue cooking after the time has elapsed, add some cooking time by pressing the + button. The timer starts to count down.
- At the end of cooking time, switch off the fryer by pressing the CANCEL button.
- Lift the handle horizontally to raise the basket until you hear a "click" as it locks. Allow excess oil to drain by letting the basket remain on the hook for a moment.
- Remove the lid.
- Remove the basket.
- Serve the food.
- Put the lid on the fryer when it is not in use.
- To use a second time, correct the oil level if necessary, then follow the instructions from the beginning.

Switching off the deep fryer

- When you have finished frying, unplug the deep fryer.
- Allow the oil to cool completely in the fryer (approx. 3 hours).
- Only move the fryer using the carrying handles.

Never move the fryer while the oil or fat is still hot.

Table of cooking times

For best results and to prevent overflowing, use the traditional French method of frying homemade French fries:

- first cycle at 340°F/170°C*
- let them rest until they are slightly cooled
- second cycle at 375°F/190°C*.

- The following cooking times are a guide only. They may vary depending on the size of the food, the amount of food, individual preferences, and the voltage.
- Cooking tip: To prevent food from sticking together, do not use the basket when cooking battered foods or doughnuts.

* time will be based on size

FRESH FOOD	Quantity	°C	⌚
French fries * (maximum capacity 3 L)	800 g / 10 cups / 1.8 lb	170°C/340°F 190°C/375°F	+/- 8 - 10 min. +/- 6 - 8 min.
French fries * (maximum capacity 4 L)	1 kg / 12 cups / 2.2 lb	170°C/340°F 190°C/375°F	+/- 9 - 11 min. +/- 7 - 9 min.
French fries (optimal quantity 3 L)	400 g / 5 cups / 0.9 lb	190°C/375°F	+/- 5 - 8 min.
French fries (optimal quantity 4 L)	500 g / 6 cups / 1.1 lb	190°C/375°F	+/- 8 - 10 min.
Fried chicken (leg portion)	4 pieces	180°C/356°F	+/- 15 - 17 min.
Fried mushrooms	300 g / 3.5 cups / 0.7 lb	150°C/302°F	+/- 6 - 8 min.
Onions rings	300 g / 3.5 cups / 0.7 lb	170°C/340°F	+/- 4 - 5 min.
Breaded fish fillets	2 pieces	170°C/340°F	+/- 6 - 8 min.
Fried calamari	500 g / 6 cups / 1.1 lb	170°C/340°F	+/- 5 - 6 min.
Fried shrimp	500 g / 6 cups / 1.1 lb	170°C/340°F	+/- 5 - 6 min.
Apple fritters	4 pieces	170°C/340°F	+/- 5 - 6 min.

* in 2 cycles

FROZEN FOOD	Quantity	°C	⌚
French fries (maximum capacity 3 L)	600 g / 7 cups / 1.3 lb	190°C/375°F	+/- 8 - 10 min.
French fries (maximum capacity 4 L)	750 g / 9 cups / 1.65 lb	190°C/375°F	+/- 10 - 12 min.
French fries (optimal quantity 3 L)	300 g / 3.5 cups / 0.7 lb	190°C/375°F	+/- 5 - 7 min.
French fries (optimal quantity 4 L)	375 g / 4.5 cups / 0.8 lb	190°C/375°F	+/- 5 - 7 min.
Fried chicken (leg portion)	4 pieces	190°C/375°F	+/- 14 - 15 min.
Chicken nuggets (3L)	1 kg / 12 cups / 2.2 lb	190°C/375°F	+/- 6 - 9 min.
Chicken nuggets (4L)	1,2 kg / 14 cups / 2.6 lb	190°C/375°F	+/- 6 - 9 min.
Fried mushrooms	300 g / 3.5 cups / 0.7 lb	190°C/375°F	+/- 5 - 6 min.
Onions rings	300 g / 3.5 cups / 0.7 lb	190°C/375°F	+/- 3 - 5 min.
Battered cod fillets	2 pieces	190°C/375°F	+/- 6 - 7 min.
Fish fingers	5 pieces	190°C/375°F	+/- 5 - 7 min.
Fried calamari	500 g / 6 cups / 1.1 lb	190°C/375°F	+/- 4 - 5 min.
Fried shrimp	500 g / 6 cups / 1.1 lb	190°C/375°F	+/- 4 - 5 min.

Cleaning

Filtering the oil

- You may store the oil or fat in the fryer or in a separate airtight container.
- Do not pour used oil into the sink. Leave it to cool and throw it away with the household waste – according to the local community regulations.
- Crumbs that break away from food tend to burn and alter the quality of the oil more rapidly. Over time, this increases the risk of the oil's catching fire. For this reason, filter the oil regularly.

We recommend changing the oil after a maximum of 8 to 12 uses.

Cleaning the fryer

Never immerse the control unit with the heating element in water and never wash it under running water.

Never wash the lid in the dishwasher.

Do not store your deep fryer outside.

- Remove the control unit and heating element and clean both parts with a damp cloth or sponge.
- Clean the lid using a sponge and soapy water. Rinse and dry carefully - fig.12.
- The filter in the lid can be cleaned. Remove the filter cover, then the filter.
- The bowl, the frying basket, the housing and the filter are dishwasher safe or can be immersed in soapy water.
- Ensure that all components are dry before placing them back inside the fryer.
- The lid is fitted with a permanent metallic filter. This filter does not need to be replaced.

If your fryer does not work properly

PROBLEMS AND POSSIBLE CAUSES	SOLUTIONS
The LCD screen of the fryer is not lighting	
The appliance is not plugged in.	Plug-in the appliance.
The fryer is not heating	
The CONFIRM button on control panel has not been pressed.	Press the CONFIRM button after having chosen the cooking menu.
The control unit returned to standby mode after 30 minutes as the unit was not operated or as no food was put in the oil after the READY light was on.	Press the CONFIRM button after having chosen the cooking menu for the second time.
Timer does not count down after the ready light turns on	
The CONFIRM button has not been pressed on control panel to start the timer.	Press the CONFIRM button when lowering the basket into the oil.
Oil overflows	
The Max. marker for filling the bowl has been exceeded.	Check the oil level (Max.), and remove the excess.
The frying basket has been overfilled with food.	Check that the basket is not too full.
Food is wet or contains too much water (frozen food).	Remove any ice and dry the food thoroughly. Lower the basket slowly.
Different types of oil/fat have been mixed.	Empty and clean the bowl. Refill the bowl with one type of oil.
Emits unpleasant smells	
The fat/oil has deteriorated.	Replace the frying oil (after 12 uses max., more frequently depending on the oil).
The fat/oil is unsuitable.	Use a good quality blended vegetable oil.
Vision through the viewing window is not clear	
The window is not cleaned often enough or is not cleaned the right way.	To ensure good visibility, clean the viewing window by wiping it with soap and water. Allow the window to dry at room temperature or dry with a clean cotton cloth. Clean as often as necessary.
Food does not become golden, and remains soft.	
Food is moist and contains too much water (frozen food).	Remove as much ice from the frozen food as possible before frying.
Pieces are too thick and contain water.	Experiment by lengthening the cooking time or by slicing food smaller and thinner.
Too much food is being cooked at the same time and the cooking oil is not at the right temperature.	Fry food in small quantities (especially when frozen).
The temperature of the frying oil may not be high enough.	Check to see that the thermostat is set to the recommended temperature. If so, experiment with a slightly higher temperature, monitoring cooking carefully to avoid burning.
French Fries stick together	
Unwashed food immersed in hot oil.	Wash potatoes well and dry them thoroughly.

If you have any product problems, please contact our Consumer Service Department for expert help and advice:

- in the US 1800 395 8325
- in Canada 1800 418 3325

Consult our web site: www.t-fal.com or www.t-fal.ca.

Any repairs must only be carried out by an Approved Service Center with the manufacturer's own replacement parts.

WARRANTY CANADA AND USA

One year limited warranty

T-Fal warrants this product to be free from defects in material and workmanship for a period of one year. Should any defect be discovered within one year of date of purchase, the following should be used in claiming warranty:

In Canada

- 1) Take your appliance to the nearest authorized T-Fal Service Center, along with proof of purchase.
- 2) T-Fal agrees to repair or replace the defective part or product at no charge, provided that the product is returned with all shipping charges prepaid to:

T-Fal
A division of Groupe SEB Canada Inc.
455 Finchdene Square
Scarborough, Ontario M1X 1B7

accompanied by proof of purchase and a letter detailing the nature of the defect. Be certain that the appliance is wrapped carefully when shipping. The T-Fal Customer Service Department should be contacted by mail or by phone at 1 800.418.3325 or by email at info@t-fal.ca, in case the defect can be corrected without returning the product.

In USA

Do not return the product to the retailer from whom it was purchased, or to T-Fal Corp.

- T-Fal Corp. agrees to repair or replace the defective part or product at no charge, provided that the product is returned with all shipping charges prepaid to your local authorized Service Center, accompanied by proof of purchase and a letter detailing the nature of the defect. Make sure that the product is wrapped carefully when shipping. The T-Fal Customer Service Center should be contacted by telephone (1-800-395-8325) prior to any action, since it may be possible to correct the problem without returning the unit.
- This warranty does not apply to any unit that has been tampered with, or to damages incurred through negligence in use, faulty packing or mishandling in transit by any common carrier.
- Repairs not covered by this warranty will be performed at current costs for parts and labor, plus return shipping charges.

This warranty gives you specific legal rights, and you may also have other rights which vary from state to state.

Canada (1-800-418-3325) or www.t-fal.ca
United States (1-800-395-8325) or www.t-fal.com

PRÉCAUTIONS IMPORTANTES

Lorsque vous utilisez des appareils électriques, veillez à prendre quelques précautions élémentaires en matière de sécurité et en particulier les suivantes :

- 1 Lisez entièrement ce mode d'emploi.
- 2 Avant l'utilisation, assurez-vous que la tension d'alimentation de votre appareil correspond bien à celle de votre installation électrique (voir l'étiquette signalétique collée à l'arrière de l'appareil : elle indique sa tension nominale: ex: 120V).
- 3 Assurez-vous que l'ampérage indiqué sur votre compteur électrique et sur votre disjoncteur est au minimum de 15 Ampères. Si la prise de l'appareil ne rentre pas dans votre prise de courant, faites appel à un électricien professionnel afin de remplacer la prise.
- 4 Ne touchez pas aux surfaces chaudes. Utilisez les poignées.
- 5 Pour vous protéger d'un choc électrique, n'immergez pas le cordon d'alimentation, les prises de courant ou l'appareil dans l'eau ni dans aucun autre liquide.
- 6 Une surveillance étroite est nécessaire lorsque tout appareil électrique est utilisé par des enfants ou à leur portée.
- 7 Débranchez l'appareil après usage et avant de le nettoyer. Laissez-le refroidir avant d'installer ou d'enlever les accessoires ou de le nettoyer.
- 8 N'utilisez aucun appareil électrique avec un cordon d'alimentation ou une prise endommagés, quand l'appareil fonctionne mal ou s'il a été endommagé de quelque manière que ce soit. Retournez les appareils défectueux à un centre de service.
- 9 L'usage de certains accessoires non recommandés par le fabricant pourrait occasionner des blessures.
- 10 N'utilisez pas l'appareil à l'extérieur.
- 11 Ne laissez pas le cordon d'alimentation pendre le long d'une table. Ceci pourrait engendrer de graves accidents. Ne le laissez pas au contact de surfaces chaudes.
- 12 Ne placez jamais l'appareil sur ou près d'un brûleur à gaz, d'une plaque électrique ou d'un four chaud.
- 13 Fixez toujours la prise à l'appareil en premier, puis dans la prise de courant. Pour arrêter l'appareil, appuyez sur la touche CANCEL, puis débranchez-le.
- 14 N'utilisez cet appareil que pour l'usage pour lequel il a été conçu.
- 15 Soyez très prudent quand vous déplacez une friteuse contenant de l'huile chaude ou autre liquide chaud.
- 16 Assurez-vous que la poignée est correctement fixée au panier et solidement en place.

17 GARDEZ PRÉCIEUSEMENT CES INSTRUCTIONS. POUR USAGE DOMESTIQUE SEULEMENT

- 18 Pour une utilisation en toute sécurité, n'introduisez pas d'aliments trop volumineux dans l'appareil.
- 19 Après le nettoyage, assurez-vous que le couvercle et la cuve sont complètement secs avant de les utiliser.
- 20 Lorsque l'appareil est en fonctionnement, n'immergez ou ne relevez jamais le panier si le couvercle n'est pas positionné sur la friteuse.
- 21 Respectez les quantités Min. et Max. d'huile.
- 22 Ne surchargez pas votre panier, respectez les quantités limites sécuritaires.
- 23 Ne branchez jamais votre friteuse vide (sans matière grasse).
- 24 Les temps de cuisson sont donnés à titre indicatif.
- 25 La matière grasse doit être filtrée régulièrement et changée toutes les 8 à 12 utilisations.
- 26 Ne mélangez pas plusieurs sortes de matières grasses.
- 27 Si vous utilisez une matière grasse solide, coupez-la en morceaux et faites-la fondre à feux doux dans un récipient à part, puis versez-la lentement dans la cuve. Ne mettez jamais la matière grasse solide directement dans la cuve ou le panier, car ceci pourrait abîmer l'appareil.
- 28 Si votre appareil est doté d'une cuve amovible, ne la retirez jamais lorsque votre friteuse est en fonctionnement.
- 29 Pour tout problème, contactez notre service après-vente ou allez à l'adresse Internet www.t-fal.com.

Instructions pour la polarisation

Si votre appareil est équipé d'une fiche polarisée (une lame est plus large que l'autre), ceci a pour but de réduire les risques de chocs électriques. Cette fiche ne se branche que dans un sens. Si la fiche ne rentre pas correctement dans la prise murale, mettez-la dans l'autre sens. Si elle ne rentre toujours pas, contactez un électricien. Ne modifiez en aucune façon la prise.

Instructions concernant le cordon d'alimentation

N'utilisez pas de rallonge; le produit est fourni avec un cordon d'alimentation court afin d'éviter que celui-ci ne s'emmêle ou que l'on trébuche dessus.

Le cordon d'alimentation est équipé d'un connecteur magnétique amovible. Ce connecteur doit être relié directement à la friteuse. CECI DOIT ÊTRE FAIT AVANT DE BRANCHER LE CORDON DANS LA PRISE MURALE.

Protection de l'environnement

L'emballage de votre produit est composé de matériaux recyclables. Ne le jetez pas dans votre poubelle habituelle, mais apportez-le plutôt dans un centre de collecte sélective de votre région. Les centres de services après-vente autorisés vous reprendront votre appareil usagé afin de procéder à sa destruction dans le respect des règles de l'environnement, sinon apportez-le au point de collecte spécialisé prévu à cet effet.

Description des composants

- | | |
|---|---|
| <ol style="list-style-type: none"> 1. Éléments du couvercle <ol style="list-style-type: none"> a. Bouchon de filtre b. Filtre permanent c. Poignée d. Hublot e. Couvercle 2. Boîtier de contrôle amovible avec élément chauffant 3. Panier <ol style="list-style-type: none"> a. Bouton de déverrouillage de la poignée du panier b. Poignée pour monter et descendre le panier 4. Repères Min. et Max. du remplissage de cuve 5. Cuve amovible | <ol style="list-style-type: none"> 6. Poignées 7. Boîtier 8. Cordon d'alimentation amovible 9. Pieds antidérapants 10. Panneau électronique <ol style="list-style-type: none"> a. Voyant lumineux de température b. Voyant de mise sous tension c. Ecran LCD d. Touche MENU e. Touche MODE f. Touches + et - g. Touche CANCEL h. Touche CONFIRM |
|---|---|

Préparation

Avant la première utilisation

- La friteuse peut être complètement démontée.
- Enlevez le couvercle, nettoyez-le à l'aide d'un linge humide, puis séchez-le.
- Relevez la poignée du panier à l'horizontale jusqu'à ce que vous entendiez le "clac" de verrouillage.
- Retirez le panier, le boîtier de contrôle et la cuve - fig.1 et fig.2.
- Nettoyez le panier et la cuve amovible avec une éponge et de l'eau savonneuse ou dans un lave-vaisselle - fig.3.
- Nettoyez le boîtier de contrôle et l'élément chauffant avec un linge humide.
- Séchez soigneusement tous les composants.
- Mettez la cuve et le boîtier de contrôle en place - fig.4 et fig.5.

Ne plongez jamais le boîtier de contrôle et l'élément chauffant dans l'eau.

Ne mettez jamais le couvercle au lave-vaisselle. Assurez-vous que le boîtier de contrôle est placé correctement sinon la friteuse ne fonctionnera pas.

Remplissage de la cuve

Ne mélangez jamais différentes sortes de matières grasses, car cela pourrait causer des débordements.

Le niveau de matière grasse doit toujours se situer entre les repères Min. et Max. de la cuve. Vérifiez avant chaque cuisson et ajoutez, au besoin, le même type de matière grasse.

- Remplissez la cuve de matière grasse.
- Le niveau de matière grasse doit toujours se situer entre les repères MIN et MAX de la cuve - fig.6. Ne remplissez jamais la cuve au-delà du niveau maximum, car cela pourrait causer un débordement et des brûlures graves.
- Pour obtenir les meilleurs résultats possibles, une huile végétale est recommandée (ex. : tournesol, arachide...).
- Si vous utilisez une matière grasse solide, coupez-la en morceaux et faites-la fondre à part pour ensuite la verser dans la cuve.
- Ne faites jamais fondre la matière grasse solide sur l'élément chauffant ou dans le panier.

		Huile	Matière grasse solide
3 Litres	Min.	10 tasses / 2.5 l	4.95 lb / 2250g
	Max.	12 tasses / 3 l	5.95 lb / 2700 g
4 Litres	Min.	14 tasses / 3.5 l	6.95 lb / 3150 g
	Max.	16 tasses / 4 l	7.95 lb / 3600 g

Préchauffage

- Après avoir rempli la cuve avec de l'huile, posez le couvercle et branchez votre friteuse sans le panier.
- Le boîtier de contrôle émet un signal sonore et le voyant de mise sous tension se met à clignoter. Le boîtier de contrôle est alors en veille et l'élément ne chauffe pas. L'écran LCD indique le menu par défaut, c'est-à-dire le menu "Frites", avec une T° de 375 °F et un temps de cuisson de 10 minutes.
- Sélectionner le menu :
Appuyez sur la touche MENU - fig.7 du boîtier de contrôle pour sélectionner le menu correspondant aux aliments à frire.
Il existe 4 menus préprogrammés (Cf tableau ci-dessous).

Placez la friteuse :
 - sur un plan stable,
 - hors de portée des enfants,
 - éloignée de toutes sources d'éclaboussures ou de chaleur.
Ne branchez jamais la friteuse quand elle est vide (sans matière grasse).

MENUS PREPROGRAMMES		
Aliments	Temps de cuisson	Température
Frites	10 minutes	375°F
Poulet	15 minutes	340°F
Rondelles d'oignon	5 minutes	375°F
Poisson	7 minutes	320°F

- Vous pouvez passer d'un menu à l'autre en appuyant à plusieurs reprises sur la touche MENU.
- Après avoir choisi le menu approprié, vous pouvez confirmer à la fois la température et le temps de cuisson préprogrammés en appuyant sur la touche CONFIRM - fig. 8.
- Le voyant de mise sous tension s'allume alors et la friteuse commence à chauffer.
- Vous pouvez également modifier la température et le temps de cuisson du menu, en procédant comme suit :
Modification du menu préprogrammé :
- Appuyez sur la touche MODE. Le symbole du thermomètre et la température clignotent. Appuyez sur les touches + ou - pour atteindre la température souhaitée. La température est réglable de 140 °F à 383 °F (de 1°F en 1°F). Le défilement s'accélère lorsque vous appuyez de façon continue sur la touche + ou -.
- Appuyez sur la touche MODE une seconde fois, le symbole de la minuterie et le temps de cuisson clignotent. Réglez le temps de cuisson en appuyant sur la touche + ou -. Le temps de cuisson est réglable de 0 à 99 min (par tranches de 30 secondes). Le défilement s'accélère lorsque vous appuyez de façon continue sur le bouton + ou -.
- Après avoir réglé la température et le temps de cuisson désirés, appuyez sur la touche CONFIRM.
- Le voyant de mise sous tension s'allume et la friteuse commence à chauffer. Suivi de la température et du temps de cuisson :
- Au début du préchauffage, l'écran LCD indique la température ambiante de l'huile. Celle-ci augmente par la suite jusqu'à ce qu'elle atteigne la température choisie. Vous pouvez ainsi surveiller la température de l'huile au fur et à mesure qu'elle monte

Vous pouvez faire frire d'autres aliments que ceux des menus préprogrammés en modifiant la température et le temps de cuisson de l'un des menus.
Si vous réglez le temps de cuisson à 0 et confirmez ce temps, la friteuse chauffera pendant 30 minutes. Pour l'arrêter avant que le temps ne soit écoulé, appuyez sur la touche CANCEL.
Après avoir appuyé sur la touche CONFIRM, seules les touches + et - pour modifier le temps de cuisson fonctionnent encore. En cas d'erreur et pour recommencer la sélection, appuyez sur la touche CANCEL.

Remplissage du panier

- Asséchez les aliments pour enlever l'excès d'eau ou de glace.
- Remplissez le panier avant de le placer dans la friteuse. - fig.9. Ne surchargez pas le panier. Réduisez les quantités pour les surgelés.
- Enlevez le couvercle.
- Mettez le panier en place sur le bord de la cuve et laissez la poignée en position horizontale
- Remplacez le couvercle sur votre friteuse.

Coupez les aliments de la même taille afin qu'ils cuisent de façon homogène. Évitez les morceaux trop épais. Secouez bien les aliments surgelés pour détacher les morceaux de glace avant de mettre les aliments dans la friteuse. Pour obtenir des frites surgelées plus croustillantes, lavez-les sous l'eau froide et séchez-les soigneusement.

Cuisson

Immersion du panier

- Lorsque l'huile a atteint la bonne température, le voyant lumineux s'allume et le boîtier de contrôle émet un signal sonore.
- Appuyez sur le bouton de déverrouillage du panier et rabattez lentement et complètement la poignée dans son logement - fig.10. Le fait de descendre le panier trop vite pourrait causer des débordements.
- Appuyez sur la touche CONFIRM. Le décompte du temps de cuisson commence. Vous pouvez modifier ce temps en cours de cuisson, en appuyant sur les touches + ou -.
- En cours de cuisson, il est normal que le voyant de température s'allume et s'éteigne.

Pour votre sécurité, si aucun aliment n'est plongé dans l'huile une fois le voyant allumé, le boîtier de contrôle arrêtera la friteuse au bout de 30 minutes. Peu importe la recette, pour éviter les débordements et prolonger la durée de vie de l'huile, essuyez soigneusement les aliments avant de les faire cuire.

À la fin de la cuisson

Ne touchez pas l'appareil pendant son fonctionnement. Certaines parties très chaudes pourraient causer de sérieuses brûlures. La vapeur qui sort du couvercle est brûlante - fig.11. Ne touchez qu'aux boutons et aux poignées de la friteuse. Le minuteur indique la fin de la cuisson et arrête automatiquement l'appareil. Pour obtenir des fritures bien croustillantes, ouvrez immédiatement le couvercle à la fin de la cuisson pour laisser s'échapper la vapeur.

- La cuisson est terminée lorsque la minuterie émet un signal sonore, indiquant que le temps de cuisson est écoulé et que les aliments ont atteint la couleur et la texture désirées.
- Si vous souhaitez prolonger la cuisson une fois le temps écoulé, rajoutez du temps de cuisson en appuyant sur la touche +. Le décompte se déclenche.
- À la fin du temps de cuisson, arrêtez la friteuse en appuyant sur la touche CANCEL.
- Pour remonter le panier, relevez la poignée à l'horizontale jusqu'à ce que vous entendiez le "clac" de verrouillage. Laissez le panier dans cette position un moment pour égoutter les aliments.
- Retirez le couvercle.
- Retirez le panier.
- Servez.
- Refermez le couvercle lorsque la friteuse n'est pas utilisée.
- Pour une 2e cuisson, ajoutez de l'huile au besoin, puis suivez les instructions depuis le début.

Mise hors tension de l'appareil

- Une fois la friture terminée, débranchez l'appareil.
- Laissez refroidir complètement la friteuse et la matière grasse (3 heures).
- Pour déplacer la friteuse, utilisez les poignées.

Ne déplacez jamais votre friteuse lorsque l'huile est chaude.

Tableau de cuisson

Pour obtenir les meilleurs résultats possibles et éviter les débordements lors de la cuisson des frites fraîches, la cuisson traditionnelle en deux bains est recommandée :

- premier, à 340°F/170°C
- laissez-les refroidir un peu
- second, à 375°F/190°C

* le temps de cuisson dépend de la quantité.

- Les temps de cuisson sont donnés à titre indicatif. Ils peuvent varier en fonction des quantités, du goût de chacun, de l'épaisseur des aliments, du voltage, etc.
- Conseil de cuisson : Lorsque vous faites frire des aliments panés ou des beignets, retirez le panier afin d'empêcher que les aliments n'y adhèrent.

ALIMENTS FRAIS	Quantité	°C	⌚
Frites * (capacité maximum 3 L)	800 g / 10 tasses / 1.8 lb	170°C/340°F 190°C/375°F	+/- 8 - 10 min. +/- 6 - 8 min.
Frites * (capacité maximum 4 L)	1 kg / 12 tasses / 2.2 lb	170°C/340°F 190°C/375°F	+/- 9 - 11 min. +/- 7 - 9 min.
Frites (quantité optimale 3 L)	400 g / 5 tasses / 0.9 lb	190°C/375°F	+/- 5 - 8 min.
Frites (quantité optimale 4 L)	500 g / 6 tasses / 1.1 lb	190°C/375°F	+/- 8 - 10 min.
Pilon de poulets	4 morceaux	180°C/356°F	+/- 15 - 17 min.
Champignons	300 g / 3.5 tasses / 0.7 lb	150°C/302°F	+/- 6 - 8 min.
Oignons	300 g / 3.5 tasses / 0.7 lb	170°C/340°F	+/- 4 - 5 min.
Filets de poisson panés	2 morceaux	170°C/340°F	+/- 6 - 8 min.
Calamars	500 g / 6 tasses / 1.1 lb	170°C/340°F	+/- 5 - 6 min.
Crevettes	500 g / 6 tasses / 1.1 lb	170°C/340°F	+/- 5 - 6 min.
Pommes	4 morceaux	170°C/340°F	+/- 5 - 6 min.

* en 2 bains

ALIMENTS SURGELES	Quantité	°C	⌚
Frites (capacité maximum 3 L)	600 g / 7 tasses / 1.3 lb	190°C/375°F	+/- 8 - 10 min.
Frites (capacité maximum 4 L)	750 g / 9 tasses / 1.65 lb	190°C/375°F	+/- 10 - 12 min.
Frites (quantité optimale 3 L)	300 g / 3.5 tasses / 0.7 lb	190°C/375°F	+/- 5 - 7 min.
Frites (quantité optimale 4 L)	375 g / 4.5 tasses / 0.8 lb	190°C/375°F	+/- 5 - 7 min.
Pilon de poulets	4 morceaux	190°C/375°F	+/- 14 - 15 min.
Pépites de poulets (3L)	1 kg / 12 tasses / 2.2 lb	190°C/375°F	+/- 6 - 9 min.
Pépites de poulets (4L)	1,2 kg / 14 tasses / 2.6 lb	190°C/375°F	+/- 6 - 9 min.
Champignons	300 g / 3.5 tasses / 0.7 lb	190°C/375°F	+/- 5 - 6 min.
Oignons	300 g / 3.5 tasses / 0.7 lb	190°C/375°F	+/- 3 - 5 min.
Filets de poisson panés	2 morceaux	190°C/375°F	+/- 6 - 7 min.
Bâtonnets de poisson	5 morceaux	190°C/375°F	+/- 5 - 7 min.
Calamars	500 g / 6 tasses / 1.1 lb	190°C/375°F	+/- 4 - 5 min.
Crevettes	500 g / 6 tasses / 1.1 lb	190°C/375°F	+/- 4 - 5 min.

Nettoyage

Filtrage de l'huile

- Vous pouvez conserver l'huile dans votre friteuse ou la mettre dans un récipient à part.
- Ne versez jamais la matière grasse usagée dans l'évier. Laissez-la refroidir puis jetez-la avec les ordures ménagères, conformément aux réglementations locales.
- Les débris qui se détachent des aliments ont tendance à brûler et entraînent une altération plus rapide du corps gras, et à la longue des risques de feu. Pour cette raison, l'huile doit être filtrée régulièrement.

Changez l'huile au moins toutes les 8 à 12 utilisations.

Nettoyage de la friteuse

Ne plongez jamais le boîtier de contrôle et l'élément chauffant dans l'eau, ne les passez pas sous le robinet.

Ne mettez jamais le couvercle au lave-vaisselle. Ne rangez pas votre friteuse à l'extérieur.

- Enlevez le boîtier de contrôle et l'élément chauffant et nettoyez-les avec un linge humide ou une éponge.
- Nettoyez le couvercle de la friteuse avec une éponge et de l'eau savonneuse. Rincez et séchez soigneusement - fig.12.
- Vous pouvez laver le filtre permanent situé dans le couvercle. Enlevez le bouchon de filtre et retirez le filtre.
- Mettez le panier, la cuve amovible, le boîtier et le filtre au lave-vaisselle ou nettoyez-les avec une éponge et de l'eau savonneuse.
- Séchez bien tous les composants avant de les remettre en place.
- Votre friteuse est équipée d'un filtre métallique permanent, il n'est pas nécessaire de le changer.

Si votre friteuse ne fonctionne pas bien

PROBLÈMES ET CAUSES POSSIBLES	SOLUTIONS
L'écran LCD n'est pas allumé	
L'appareil n'est pas branché.	Branchez l'appareil.
La friteuse ne chauffe pas	
La touche CONFIRM sur le panneau électronique n'a pas été enfoncée.	Appuyez sur la touche CONFIRM après avoir sélectionné le menu de cuisson.
Le boîtier de contrôle s'est remis en veille au bout de 30 minutes, car aucun aliment n'a été plongé dans le bain d'huile une fois le voyant READY allumé.	Appuyez sur la touche CONFIRM après avoir sélectionné le menu de cuisson une nouvelle fois.
Le voyant READY est allumé mais la minuterie ne se déclenche pas	
La touche CONFIRM sur le panneau électronique n'a pas été enfoncée pour démarrer le décompte.	Appuyez sur la touche CONFIRM lorsque vous descendez le panier dans l'huile.
L'huile déborde	
Le repère Max de remplissage de la cuve a été dépassé.	Vérifiez le niveau de l'huile et enlevez le surplus.
Le panier est surchargé.	Enlevez le surplus d'aliments.
Les aliments sont humides ou contiennent trop d'eau (ex. surgelés).	Retirez la glace et séchez bien les aliments. Descendez très lentement le panier.
Mélange d'huiles et/ou de graisses différentes.	Jetez la matière grasse et nettoyez la cuve. Remplissez avec une seule nature de matière grasse.
Dégagement de mauvaises odeurs	
La matière grasse est dégradée.	Renouvelez l'huile de friture (après 12 utilisations max.).
La matière grasse n'est pas appropriée.	Utilisez une matière grasse végétale pour obtenir une friture de bonne qualité.
La visibilité à travers le hublot est mauvaise	
Trop de cuissons sans nettoyage du hublot ou nettoyage avec un chiffon non approprié.	Pour une bonne visibilité, nettoyez le hublot avec de l'eau savonneuse. Laissez sécher le hublot à l'air ambiant ou essuyez-le avec un linge propre en coton. Nettoyez-le aussi souvent qu'il le faut.
Les aliments ne dorent pas et restent mous	
Les aliments sont humides ou contiennent trop d'eau (surgelés).	Retirez la glace des surgelés et séchez bien les aliments.
Ils sont trop épais et contiennent de l'eau.	À titre d'essai, prolongez le temps de cuisson. Coupez les aliments plus finement.
Trop d'aliments sont cuits à la fois et le bain de cuisson n'est pas à la bonne température.	Attendez que le voyant de température devienne vert. Faites frire les aliments en petites quantités (surtout les surgelés).
La température de l'huile peut être insuffisante	Réglez le thermostat à la température conseillée. S'il y est déjà, augmentez légèrement la température en surveillant la cuisson pour éviter que les aliments ne brûlent.
Les frites collent	
Les frites fraîches n'ont pas été lavées avant d'être plongées dans l'huile.	Lavez et séchez soigneusement les frites fraîches avant la cuisson.

Si vous avez des problèmes au moment de son utilisation, veuillez, en premier lieu, joindre notre service à la clientèle pour obtenir de l'aide et des conseils professionnels :

- aux É.-U. 1800 395 8325,
- au Canada 1800 418 3325

Consultez notre site Web à l'adresse : www.t-fal.com ou www.t-fal.ca

Toute intervention doit être effectuée uniquement par le Service à la clientèle avec des pièces détachées d'origine.

GARANTIE

Garantie limitée d'un an :

T-FAL garantit ce produit contre tout défaut de fabrication pendant un an à partir de la date d'achat. Si vous découvrez un défaut pendant cette période d'un an, suivre les indications ci-dessous pour utiliser la garantie :

Au Canada

- 1) Apportez votre appareil au Centre de service après-vente autorisé le plus proche avec la preuve d'achat.
- 2) T-Fal s'engage à réparer ou remplacer les pièces défectueuses ou le produit sans frais à condition que le produit soit retourné avec tous les frais d'envoi prépayés à :

T-FAL
Division du Groupe SEB Canada Inc.
455 Finchdene Square
Scarborough, Ontario M1X 1B7

accompagné de la preuve d'achat et d'une lettre décrivant la nature du défaut. Bien emballer le produit lors de l'envoi. Le service après-vente de T-FAL doit être joint par la poste, par téléphone au 1 800-418-3325 ou par courrier électronique à l'adresse info@t-fal.ca avant toute démarche, au cas où il serait possible de corriger le défaut sans que vous n'ayez à retourner le produit.

Aux États-Unis

N'envoyez pas le produit chez le détaillant où il a été acheté ni à T-FAL Corp. T-FAL Corp. accepte de réparer ou de remplacer gratuitement la pièce ou le produit défectueux, sous réserve que le produit soit renvoyé tous frais d'expédition payés à votre Centre de service autorisé local, accompagné de la preuve d'achat et d'une lettre détaillant la nature du défaut.

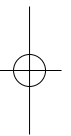
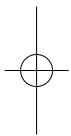
Assurez-vous que le produit est soigneusement emballé lorsque vous l'expédiez. Le service à la clientèle T-FAL doit être joint par téléphone (1-800-395-8325) avant une toute démarche au cas où il serait possible de corriger le défaut sans que vous n'ayez à retourner le produit.

La présente garantie ne s'applique pas si l'appareil a été modifié ni si des dommages sont survenus du fait d'une négligence au moment de l'utilisation, d'un mauvais emballage ou d'une mauvaise manutention au cours du transport par un transporteur..

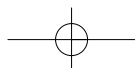
Les réparations non couvertes par la présente garantie seront effectuées au prix courant des pièces et de la main-d'œuvre, plus les frais d'expédition pour le retour. La présente garantie confère les droits spécifiques légaux et vous pouvez également bénéficier d'autres droits qui varient d'un État à l'autre.

**Attention : Toute intervention doit être effectuée uniquement par un Centre de service autorisé T-Fal avec des pièces détachées d'origine.
Réparer un appareil soi-même peut être dangereux.**

Si le problème persiste ou pour tout autre problème, appelez le Service à la clientèle T-FAL :
au Canada (1-800-418-3325) ou www.t-fal.ca
aux États-Unis (1-800-395-8325) ou www.t-fal.com



S.A.S. SEB SELONGEY CEDEX • RC. DIJON B 302 412 226 • REF. 5082225



Free Manuals Download Website

<http://myh66.com>

<http://usermanuals.us>

<http://www.somanuals.com>

<http://www.4manuals.cc>

<http://www.manual-lib.com>

<http://www.404manual.com>

<http://www.luxmanual.com>

<http://aubethermostatmanual.com>

Golf course search by state

<http://golfingnear.com>

Email search by domain

<http://emailbydomain.com>

Auto manuals search

<http://auto.somanuals.com>

TV manuals search

<http://tv.somanuals.com>