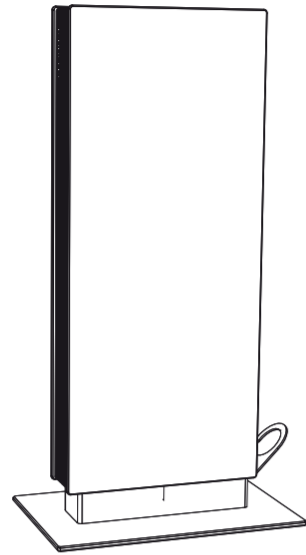


Using the unit out of the box



Put it on the desktop, connect cables as shown to the far right and it is ready to use.

CAUTION! Never place the unit as shown without the base mounted!

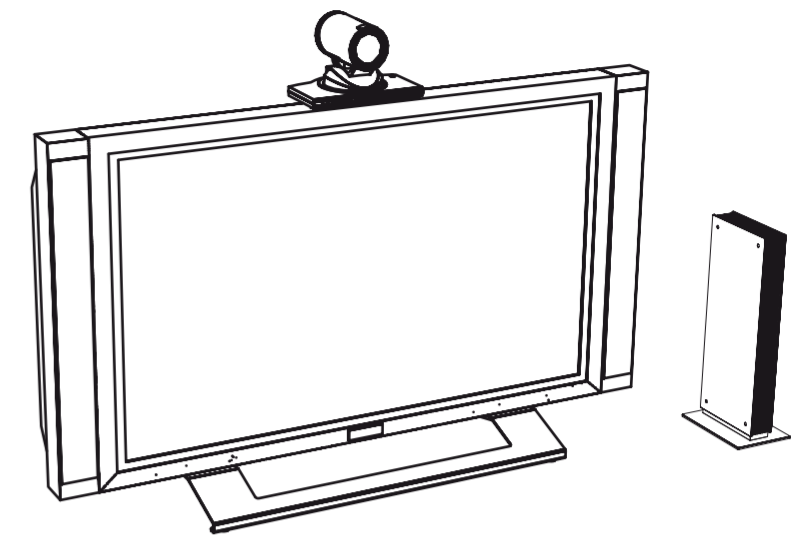
TIP

If the menu is not already present, press the OK/Menu key on the remote control to open the menu. Navigate in the menu with arrow keys and OK.



This box contains:

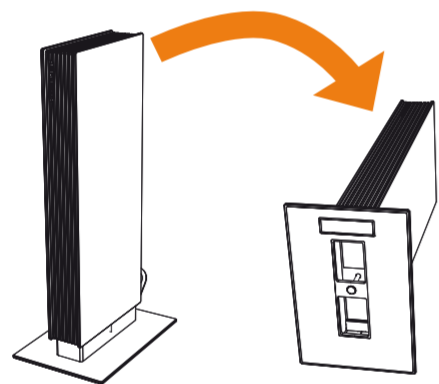
- TANDBERG Edge unit
- TANDBERG Precision HD camera
- Edge unit wall mounting bracket
- Precision HD camera bracket
- Screwdriver (PH2)
- Rubber feet and plug
- Microphone and microphone cable
- HD camera cables, 2 m & 5 m
- LAN cable
- ISDN cables
- DVI-I to DVI-I cable (for monitor connection)
- DVI-I to VGA adapter
- S-Video cable
- RCA to RCA cable
- DVI-I to VGA cable with mini-jack to stereo RCA Audio cable (for PC connection)
- Audio cable, RCA to 2xRCA
- 2xRCA to stereo mini-jack adapter
- Cable sleeve
- Cable ties
- Power supply with cables
- TANDBERG Remote Control and batteries
- User Guide on CD
- Registration card



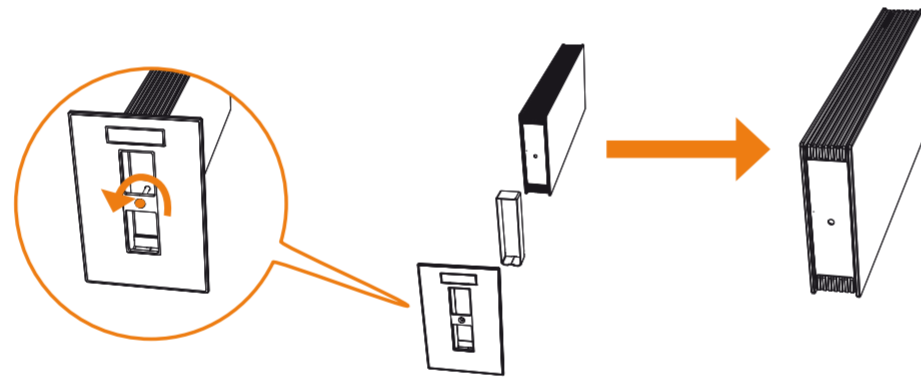
TANDBERG

Placing the unit on a shelf

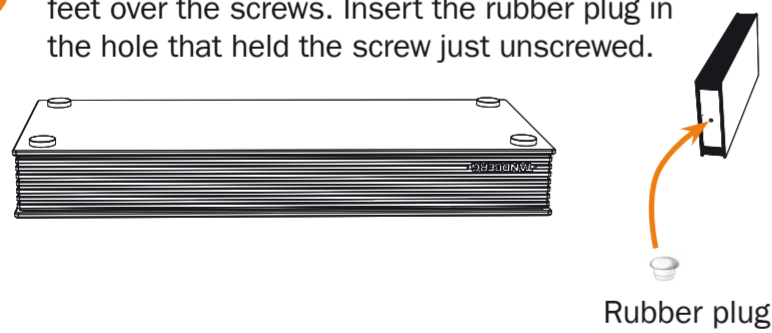
1 Put the Edge codec on its back.



2 Unscrew the base, using the enclosed screwdriver.

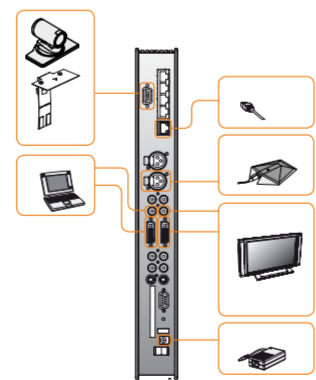


3 Turn the unit upside down and mount the rubber feet over the screws. Insert the rubber plug in the hole that held the screw just unscrewed.

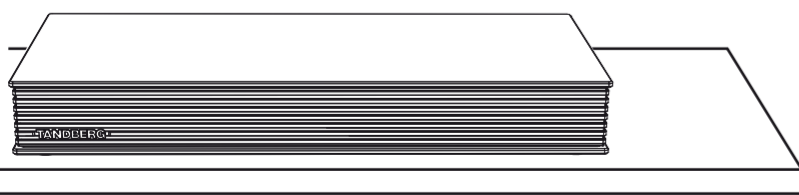


Rubber plug

4 Connect cables as shown to the right.



5 Place the unit on the shelf.

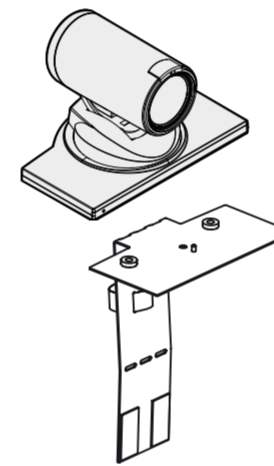


CAUTION! Do not screw the screw back in if the base has been removed and the bracket is not to be used. Doing so may damage the codec's interior and will void the warranty. Use the enclosed rubber plug instead.

Please read the user documentation for further details.

TANDBERG Precision HD Camera

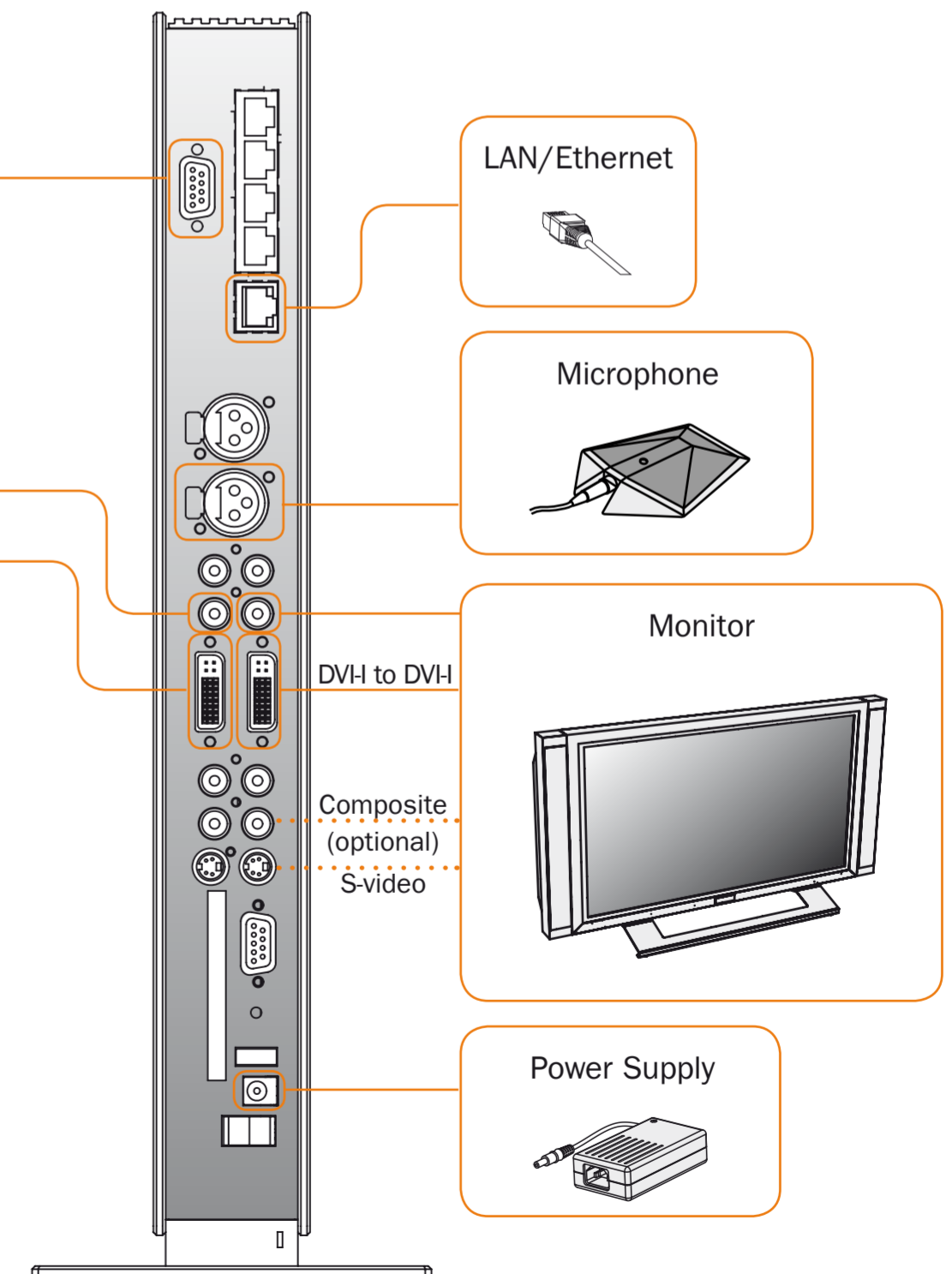
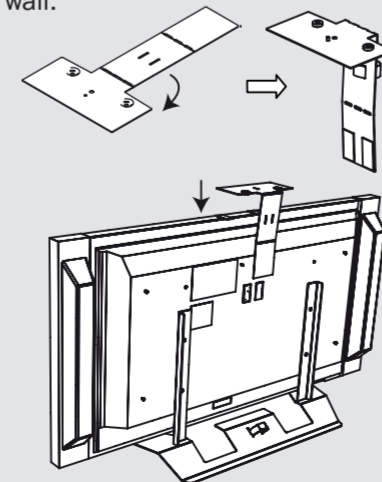
The Camera must be installed properly by aligning the camera on the fixing bolt and the magnets on the camera bracket.*



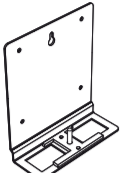




PC



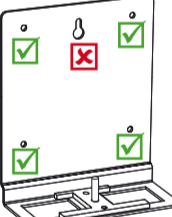
* Installation of the camera bracket with the TANDBERG Flat Panel Display Option. A wall mounted screen must have minimum 140 mm distance from the front of the screen to the wall.



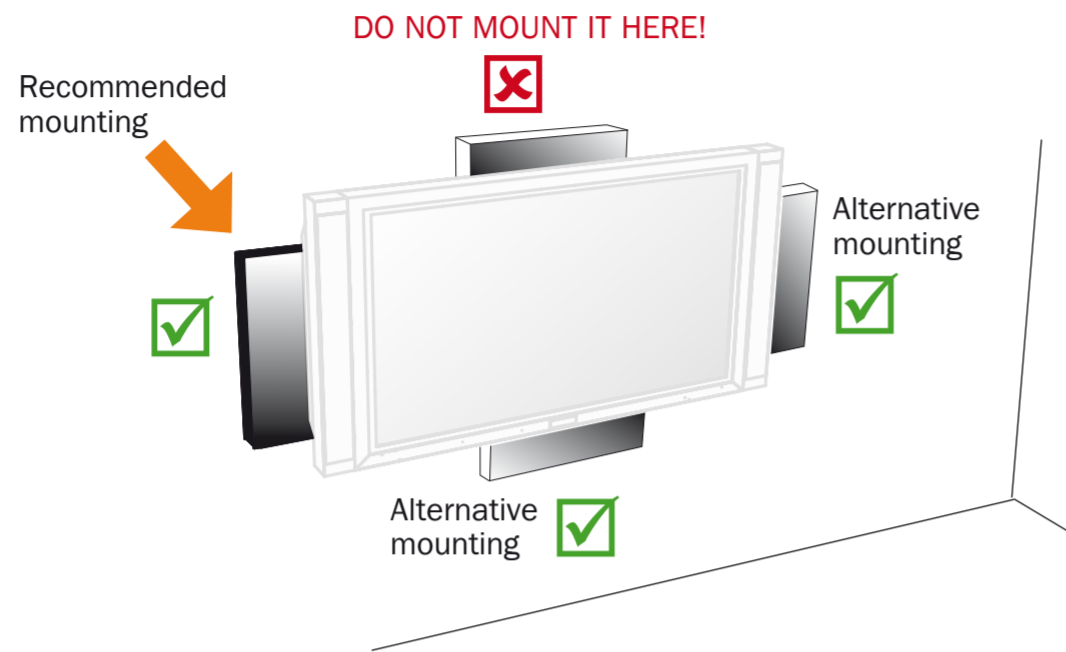
Equipment needed:

-  Bracket with screw (included).
-  Screwdriver to remove the base and mount the bracket (included).
-  Hose (sleeve) to accommodate the cables between the codec and the monitor and camera (included).
-  Suitable screws (at least 4x15) to mount bracket on wall (not included). Each screw must be able to sustain at least 10kg when bracket is mounted.
-  Screwdriver to mount bracket on wall (not included).

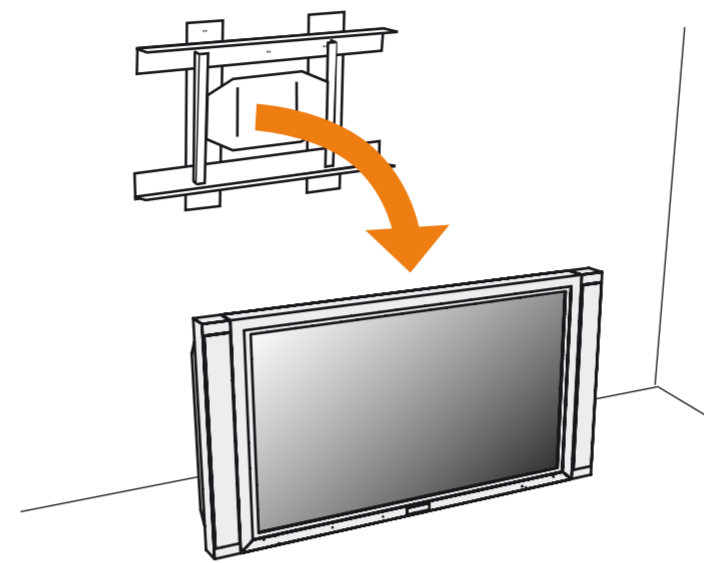
Caution!

-  Use screws in all four holes for mounting. Do not rely on the center hole alone.

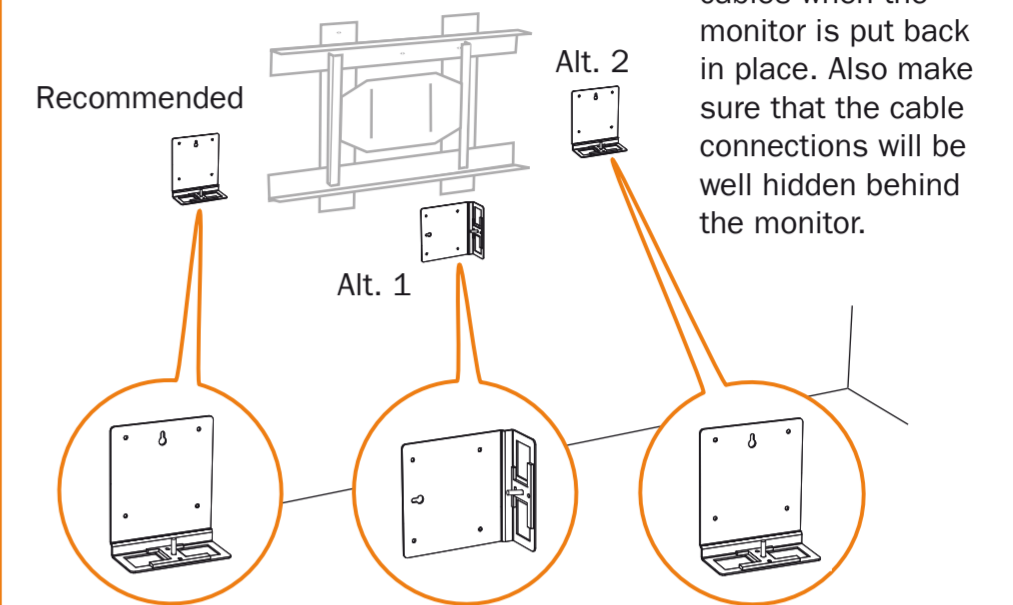
1 Decide where to mount the Edge codec.



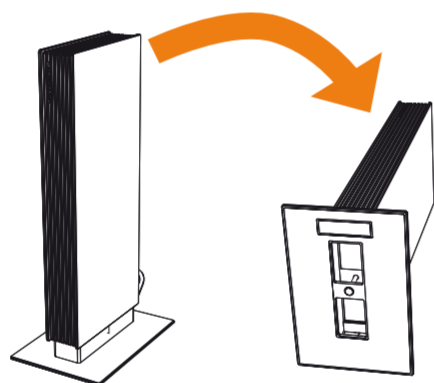
2 Remove the monitor.



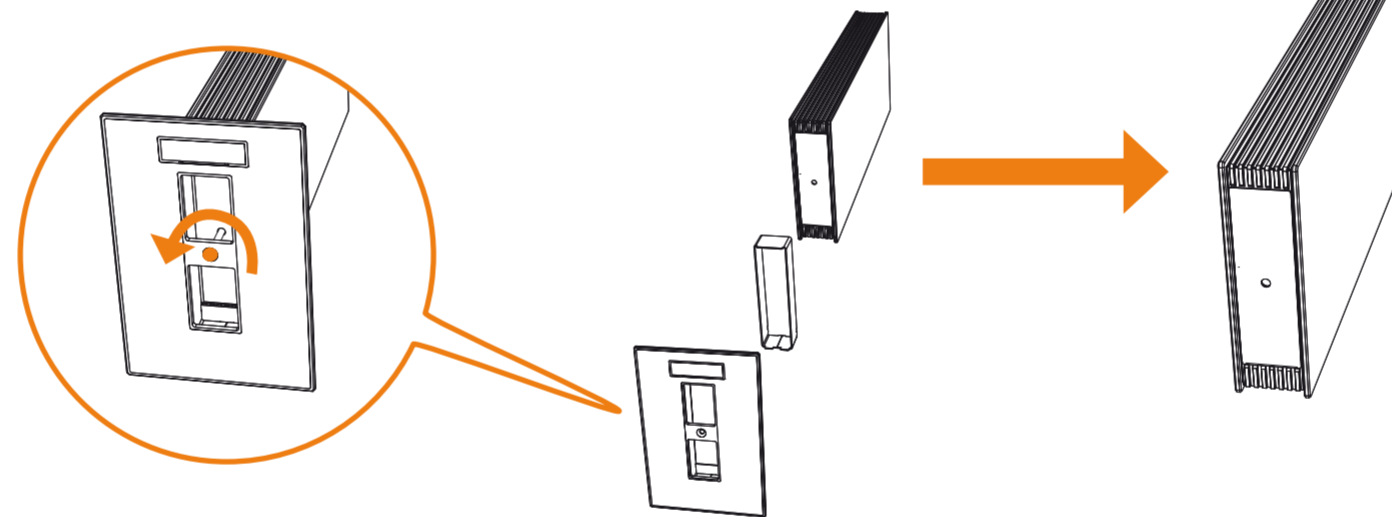
3 Mount the bracket on the wall.



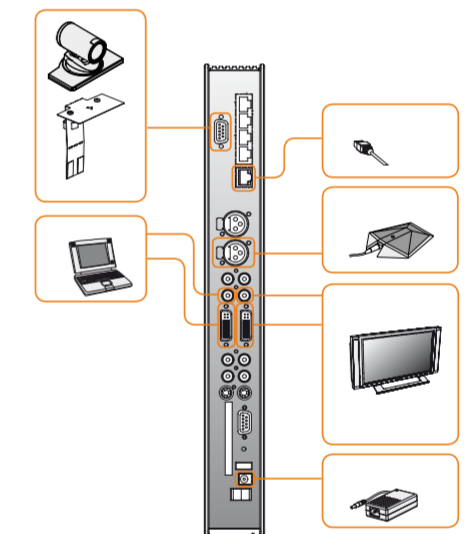
4 Put the Edge codec on its back.



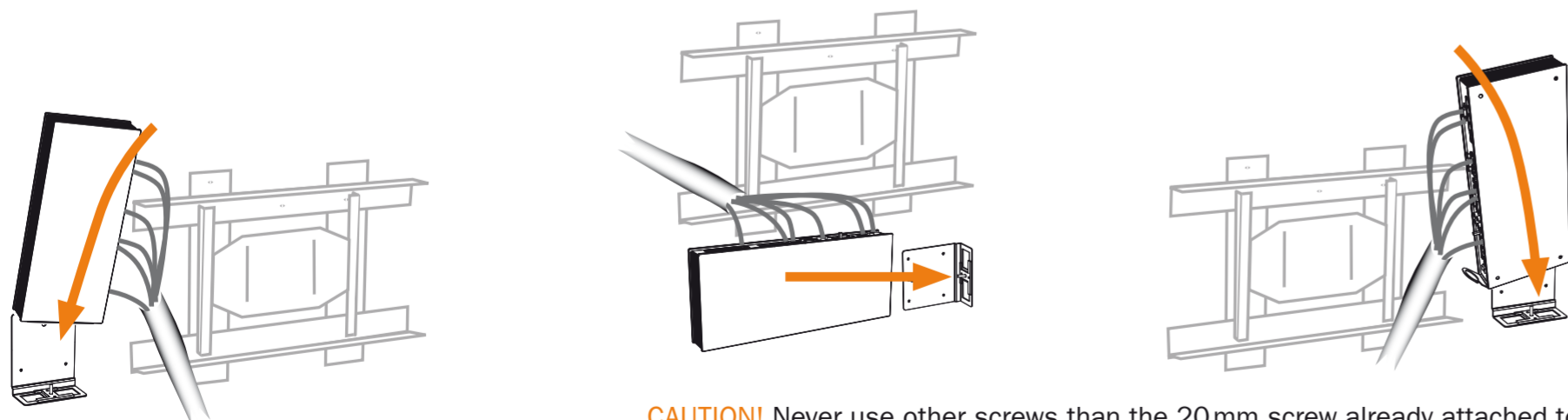
5 Unscrew the base using the enclosed screwdriver.



6 Connect cables as shown overleaf.

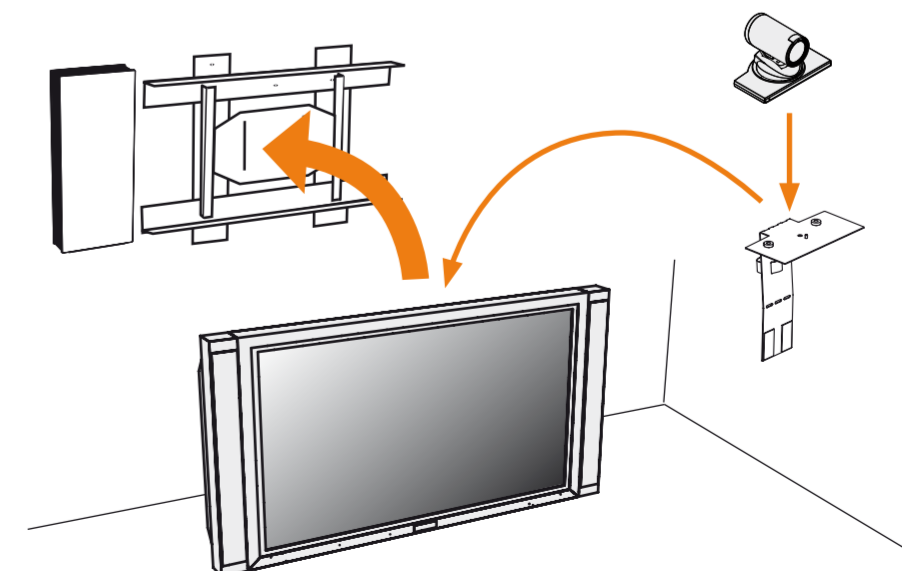


7 Mount the Edge codec (with all the cables connected) onto the bracket using the screw of the wall bracket.



CAUTION! Never use other screws than the 20mm screw already attached to the wall bracket. Do not remove this screw. Using other screws may damage the codec's interior and will void the warranty.

8 Mount the monitor and camera (see instructions overleaf) back in place.



Free Manuals Download Website

<http://myh66.com>

<http://usermanuals.us>

<http://www.somanuals.com>

<http://www.4manuals.cc>

<http://www.manual-lib.com>

<http://www.404manual.com>

<http://www.luxmanual.com>

<http://aubethermostatmanual.com>

Golf course search by state

<http://golfingnear.com>

Email search by domain

<http://emailbydomain.com>

Auto manuals search

<http://auto.somanuals.com>

TV manuals search

<http://tv.somanuals.com>