

Tanaka

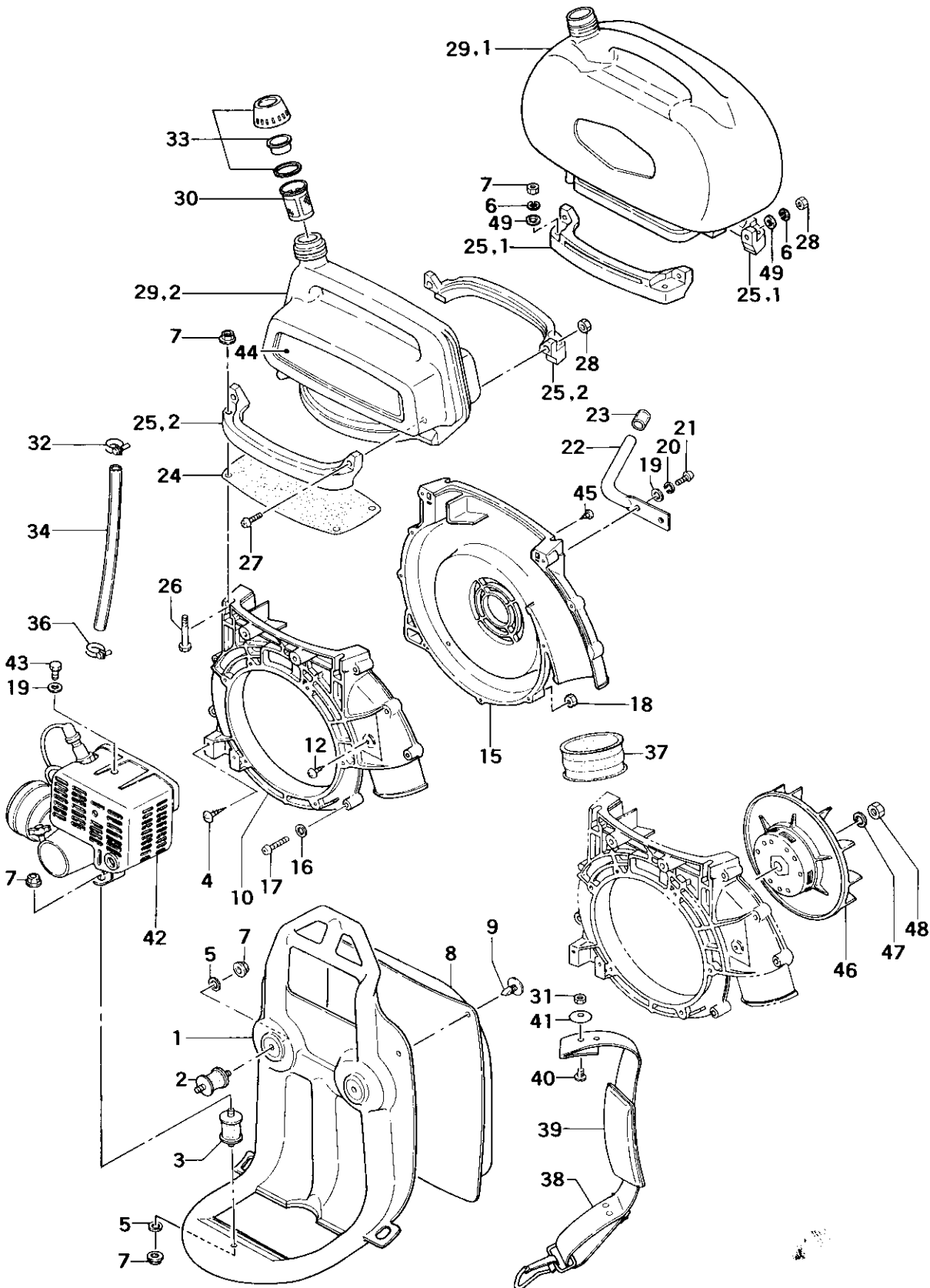
Parts Catalog

Power Blower

Model: TBL-300

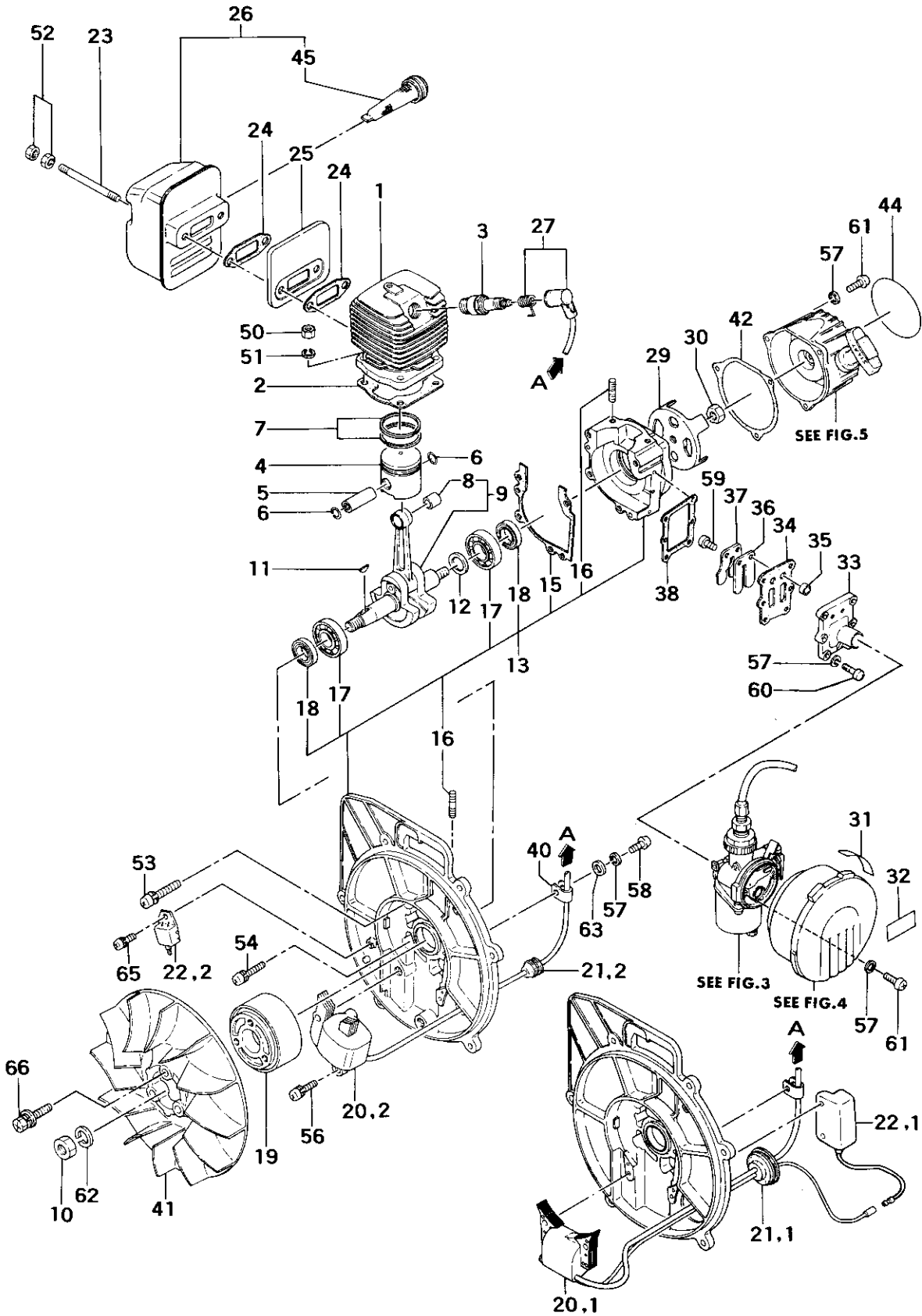
All Units Before Ser. # E068190

FIG.1 MAIN BODY



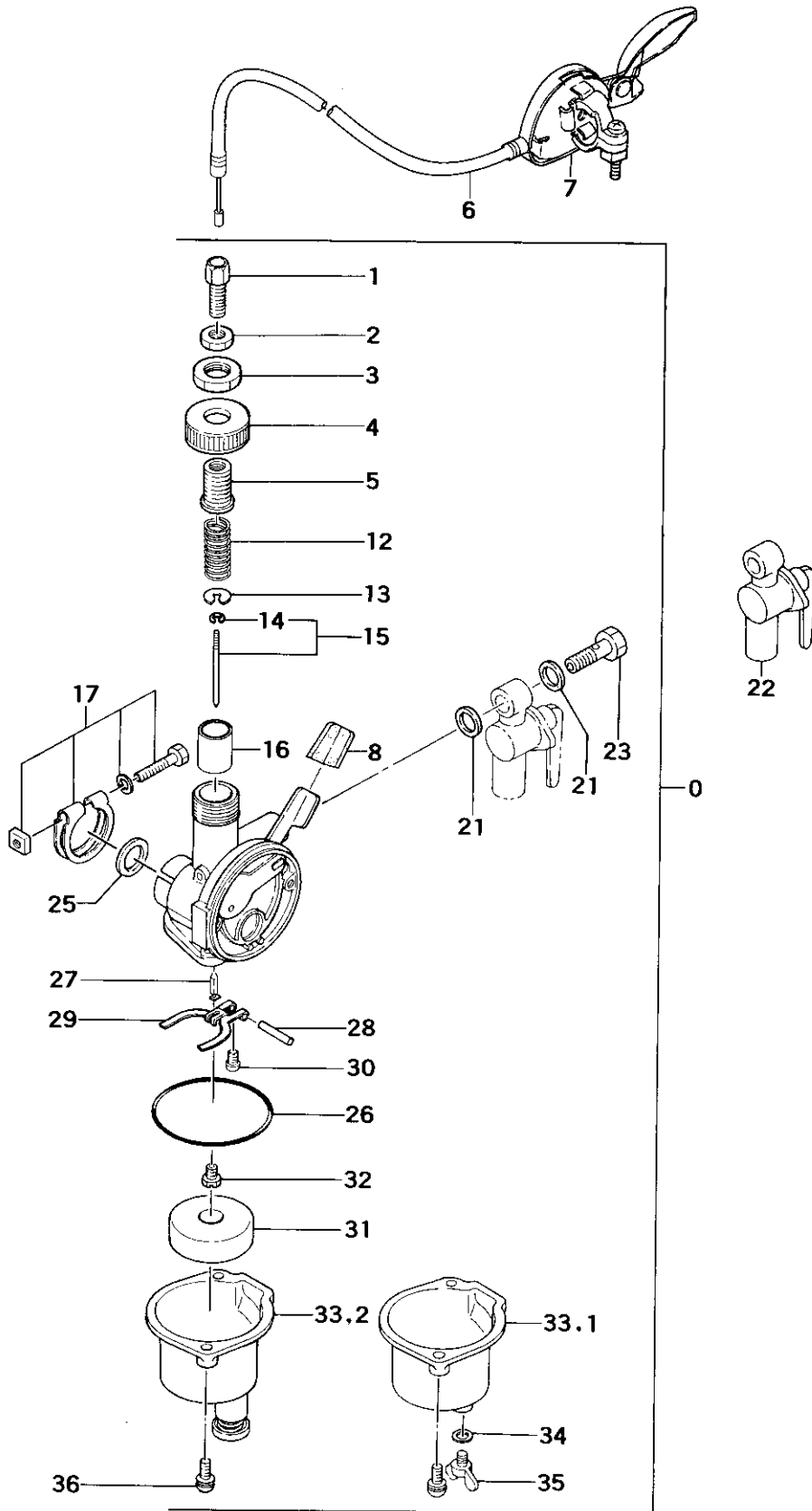
REFERENCE NUMBER	PRODUCTION PART NUMBER	PART NAME	QUANTITY	SERIAL NUMBER	SPARE PART NUMBER
FIG.1 MAIN BODY					
1-001	020-31305-210	KNAPSACK FRAME	1		020 0041 3
1-002	030-31305-200	BUFFER	2		030 0040 7
1-003	031-31305-200	BUFFER	1		031 0380 1
1-004	993-11050-081	TAPPING SCREW 5X8	2		993 1009 7
1-005	027-31305-200	WASHER 6.5X18X1T	3		027 0070 4
1-006	992-10060-012	S.WASHER 6	4	-B134613	992 1019 7
1-007	029-31307-200	FLANGE NUT 6	8		029 0110 9
1-008	021-31305-210	CUSHION PAD/ORANGE	1		021 0051 7
1-009	024-31305-200	FASTENER	4		024 0090 7
1-010	010-31305-200	FAN CASE E	1	-0090990	010 0200 9
1-010	010-31305-210	FAN CASE E	1	0090991-	010 0201 8
1-012	993-11050-800	TAPPING SCREW 5X8	3		993 1001 5
1-015	011-31305-200	FAN CASE S	1	-0090990	011 0050 5
1-015	011-31305-210	FAN CASE S	1	0090991-	011 0051 4
1-016	992-01050-001	WASHER 5	10		992 0034 7
1-017	990-11050-351	SCREW 5X35	10		990 1090 8
1-018	991-01050-011	HEX. NUT 5	8		991 0015 5
1-019	992-01050-001	WASHER 5	11		992 0034 7
1-020	992-10050-012	S.WASHER 5	2		992 1012 4
1-021	990-11050-151	SCREW 5X15	8		990 1069 8
1-022	015-31305-210	LEVER BRACKET	1		015 0171 9
1-023	700-15019-025	VINYL PIPE 15X19X25L	1		700 2240 9
1-024	593-31305-200	OIL SEAT GASKET	1		593 0290 2
1-025,1	592-31305-200	TANK BRACKET /ORANGE	2	-0090990	592 0930 4
1-025,2	592-31305-210	TANK BRACKET /ORANGE	2	0090991-	592 0931 3
1-026	992-02006-801	BOLT 6X50X30	4		992 0073 6
1-027	990-11060-351	SCREW 6X35	2		990 1149 7
1-028	991-01060-012	NUT 6	2		991 0023 4
1-029,1	591-31305-210	FUEL TANK	1	-0090990	591 1371 5
1-029,2	591-31307-220	FUEL TANK	1	0090991-	591 1472 7
1-030	603-31305-200	FUEL STRAINER	1		603 0300 6
1-031	991-01060-011	HEX. NUT 6	2		991 0022 5
1-032	607-31407-200	WIRE CLAMP 17	1	0090991-	607 0550 5
1-033	600-31305-900	TANK CAP ASS'Y	1		600 0210 9
1-034	700-08012-370	VINYL PIPE 8X12X370L	1		700 1430 9
1-036	607-31305-200	WIRE CLAMP 12	2	-0090990	607 0470 6
1-036	607-31305-200	WIRE CLAMP 12	1	0090991-	607 0470 6
1-037	100-31305-200	PIPE BAND	1		100 0370 9
1-038	022-31305-210	KNAPSACK BAND	2		022 0041 7
1-039	023-31305-210	SHOULDER PAD /ORANGE	2		023 0041 4
1-040	025-31305-200	S.BOLT	2		025 0030 2
1-041	026-31305-200	WASHER 6X23X1.6T	2		026 0030 9
1-042	738-31305-210	MUFFLER PROTECTOR	1		738 0921 2
1-043	992-02005-121	BOLT 5X12	1		992 0077 2
1-044	929-05008-201	SYMBOL MARK	1	-B134613	929 0060 0
1-044	929-05008-210	SYMBOL MARK	1	B134614-	929 0061 9
1-045	993-11050-081	TAPPING SCREW 5X8	2		993 1009 7
1-046	155-20737-801	FAN	1	-B134613	155 0390 3
1-047	992-10100-012	S.WASHER 10	1	-B134613	992 1031 9
1-048	991-11100-011	NUT 10	1	-B134613	991 1008 4
1-049	992-01060-011	WASHER 6	4	-B134613	992 0040 8

FIG.2 ENGINE



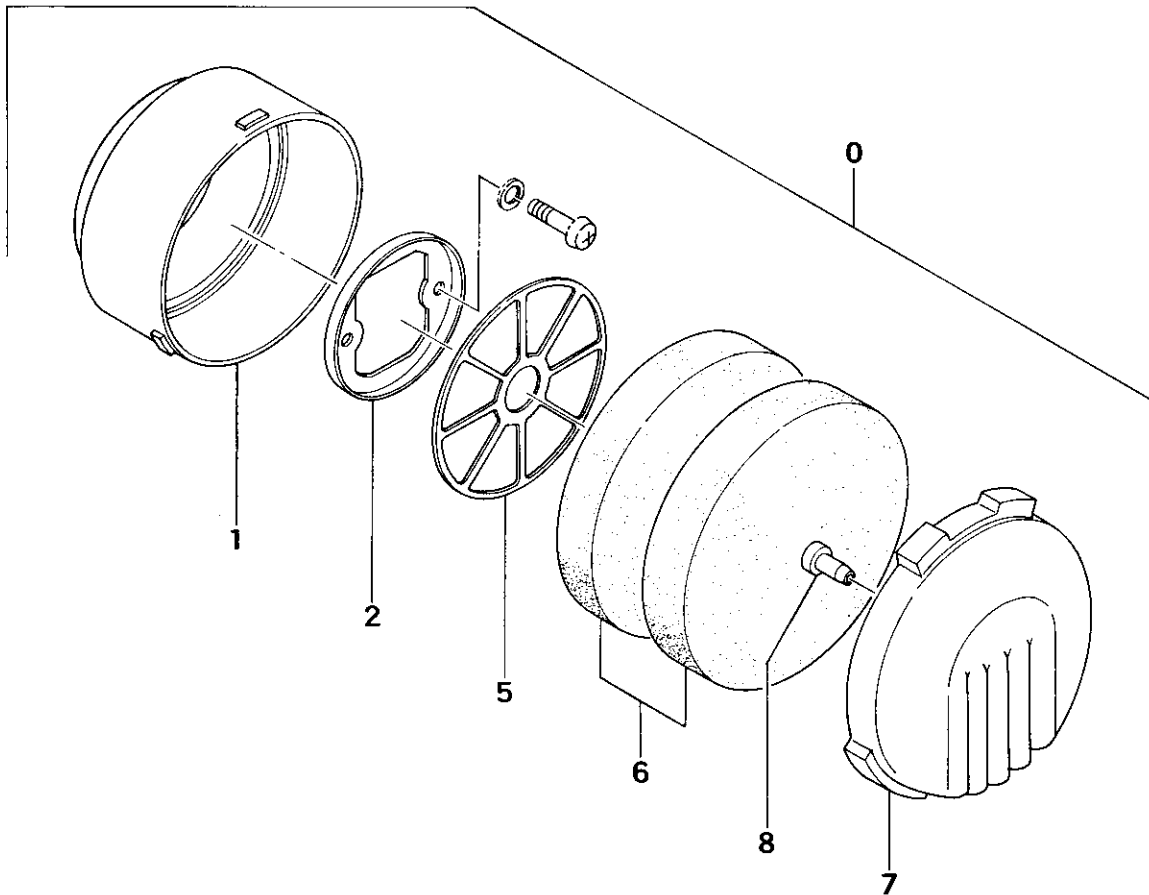
REFERENCE NUMBER	PRODUCTION PART NUMBER	PART NAME	QUANTITY	SERIAL NUMBER	SPARE PART NUMBER
FIG.2 ENGINE					
2-001	002-01225-203	CYLINDER	1		002 0200 0
2-002	017-01000-204	CYLINDER GASKET	1		017 0030 3
2-003	018-11401-200	SPARK PLUG B-7S	1		018 0240 3
2-004	031-01400-204	PISTON 36	1		031 0083 9
2-005	037-01400-200	PISTON PIN	1		037 0030 9
2-006	039-00000-201	PISTON PIN CIRCLIP	2		039 0000 2
2-007	041-01000-201	PISTON RING	2		041 0020 3
2-008	999-62091-325	NEEDLE BEARING F-910	1		999 6207 2
2-009	046-01225-810	CRANK SHAFT COMP.	1	-B134613	046 0241 7
2-009	046-01235-800	CRANK SHAFT COMP.	1	B134614-	046 0250 5
2-010	991-11100-011	NUT 10	1	B134614-	991 1008 4
2-011	068-02000-200	WOOD-RUFF KEY 3X13X5	1		068 0040 2
2-012	071-02007-200	CRANK SHAFT SHIM 0.05	V		071 0040 6
2-013	072-01225-900	CRANK CASE ASS'Y	1	-B134613	072 0330 5
2-013	072-01225-910	CRANK CASE ASS'Y	1	B134614-	072 0331 4
2-015	090-01225-201	CRANK CASE GASKET	1		090 0040 5
2-016	100-10000-200	STUD BOLT 6X24	4		100 0110 1
2-017	999-61620-200	BALL BEARING #6202	2		999 6139 8
2-018	999-66152-511	OIL SEAL VE 15X25X7	2		999 6624 1
2-019	155-21801-800	MAGNET ROTOR COMP.	1	B134614-	155 0650 4
2-020,1	167-21504-810	IGNITION COIL COMP.	1	-B134613	167 0521 6
2-020,2	167-21801-800	IGNITION COIL COMP.	1	B134614-	167 0650 1
2-021,1	202-01225-200	SECONDARY CORD GROMMET	1	-B134613	202 0040 4
2-021,2	202-02501-202	SECONDARY CORD GROMMET	1	B134614-	202 0060 8
2-022,1	159-21404-870	IGNITOR TTI-40	1	-B134613	159 0401 0
2-022,2	159-21800-800	I.C. UNIT	1	B134614-	159 0450 6
2-023	100-12119-200	STUD BOLT 6X70	2		100 0260 9
2-024	737-01225-210	MUFFLER GASKET	2		737 0111 4
2-025	133-01225-202	HEAT SHIELD	1		133 0101 3
2-026	705-01238-900	MUFFLER ASS'Y	1		705 1040 9
2-027	157-04000-900	SPARK PLUG CAP ASS'Y	1		157 0050 0
2-029	774-01225-200	STARTER PULLEY	1		774 0070 5
2-030	991-11080-013	NUT 8	1		991 1005 7
2-031	908-02005-200	CHOKE MARK	1		908 0030 6
2-032	907-02506-200	CLEANER MARK	1		907 0110 8
2-033	390-01225-200	REED VALVE	1		390 0160 5
2-034	397-01202-201	REED VALVE SEAT	1		397 0040 7
2-035	399-01000-200	REED VALVE COLLAR AS-3	2		399 0020 7
2-035	399-01000-210	REED VALVE COLLAR BS-3	2		399 0021 6
2-035	399-01000-220	REED VALVE COLLAR CS-3	2		399 0022 5
2-035	399-01000-230	REED VALVE COLLAR DS-3	2		399 0023 4
2-036	394-01202-201	REED VALVE A	1		394 0020 2
2-037	395-01225-200	REED HOLDER	1		395 0030 6
2-038	398-01000-202	REED VALVE SEAT GASKET	1		398 0010 3
2-040	198-00701-201	CORD CLAMP	1		198 0050 9
2-041	127-01235-200	FAN	1	B134614-	127 0000 6
2-042	810-01225-201	RECOIL STARTER GASKET A	1		810 0010 8
2-044	906-01227-201	NAME PLATE	1	-B134613	906 0450 8
2-044	906-01238-210	NAME PLATE TBL-300	1	B134614-	906 0461 4
2-045	732-04001-800	SPARK ARRESTER COMP. USA	1	D090991-	732 0080 6
2-050	991-01060-013	NUT 6	4		991 0024 3
2-051	992-10060-012	S.WASHER 6	4		992 1019 7
2-052	991-01060-013	NUT 6	4		991 0024 3
2-053	990-14060-401	SCREW 6X40/S	2		990 1203 8

FIG.3 CARBURETOR



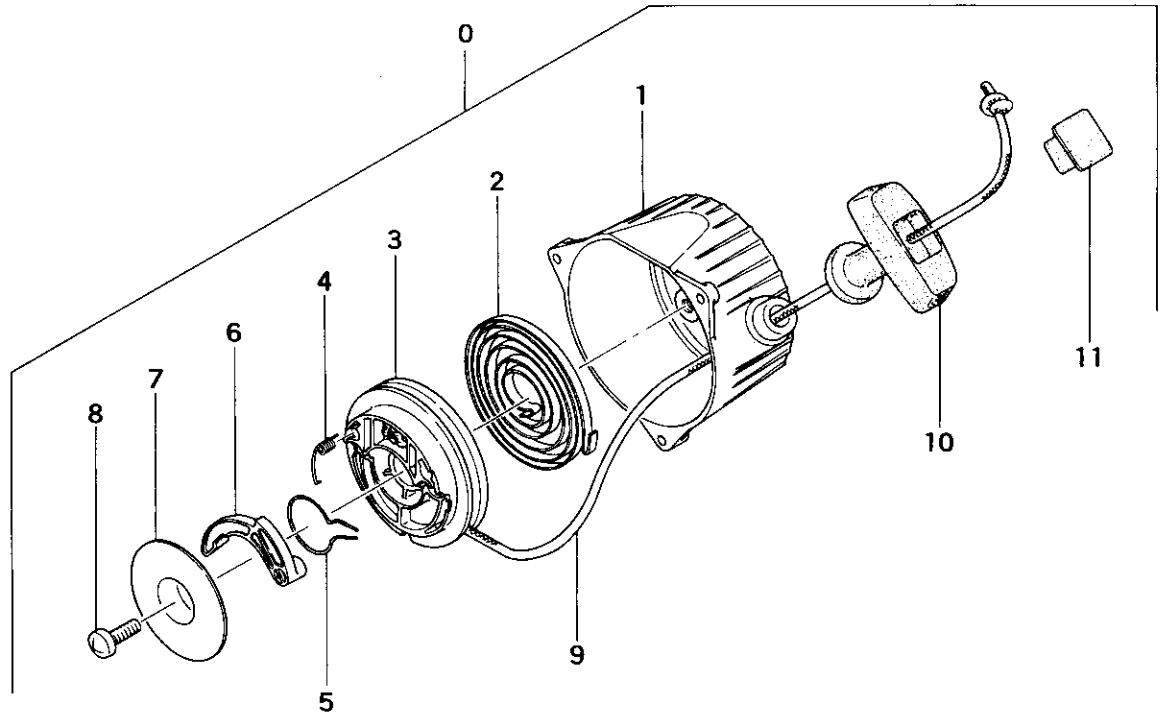
REFERENCE NUMBER	PRODUCTION NUMBER	PART NAME	QUANTITY	SERIAL NUMBER	SPARE PART NUMBER
FIG.3 CARBURETOR					
3-000	455-22905-941	CARBURETOR ASS*Y	1		455 1655 1
3-001	894-01226-200	THROTTLE WIRE ADJUSTER	1		894 0000 3
3-002	991-01060-013	NUT 6	1		991 0024 3
3-003	991-11100-013	NUT 10	1		991 1009 3
3-004	595-22901-200	BODY CAP	1		595 0430 0
3-005	468-22901-202	STOP SCREW	1		468 0000 8
3-006	885-01226-901	THROTTLE WIRE ASS*Y	1		885 0881 6
3-007	870-01228-900	THROTTLE LEVER ASS*Y	1		870 0240 3
3-008	532-22901-200	CHOKE LEVER CAP	1		532 0020 2
3-012	594-22602-200	THROTTLE VALVE SPRING	1		594 0150 8
3-013	619-22602-200	THROTTLE SPRING RECEIVER	1		619 0170 4
3-014	593-22909-200	JET NEEDLE CLIP	1		593 0260 1
3-015	592-22901-200	JET NEEDLE	1	-8134613	592 0820 4
3-015	592-22905-200	JET NEEDLE	1	8134614-	592 0960 5
3-016	591-22902-200	THROTTLE VALVE	1		591 1230 5
3-017	561-22900-900	BODY BAND ASS*Y	1		561 0170 2
3-021	500-22905-200	FUFL INLET GASKET	2		500 0410 4
3-022	592-00750-900	PET-COCK ASS*Y	1		592 0060 8
3-023	501-22900-200	FUEL INLET BOLT	1		501 0070 1
3-025	570-22900-200	CARBURETOR GASKET	1		570 0030 7
3-026	607-22900-200	CHAMBER GASKET	1		607 0440 5
3-027	603-22900-800	NEEDLE VALVE	1		603 0250 8
3-028	605-22900-200	FLOAT ARM PIN	1		605 0190 7
3-029	628-22900-200	FLOAT ARM	1		628 0570 2
3-030	990-11040-061	SCREW 4X6	1		990 1025 4
3-031	604-22900-200	FLOAT	1		604 0200 0
3-032	599-22908-200	MAIN JET	1		599 0590 3
3-033,1	606-22900-200	FLOAT CHAMBER	1	-8134613	606 0300 7
3-033,2	606-22901-900	FLOAT CHAMBER ASS*Y	1	8134614-	606 0340 5
3-034	629-22900-200	DRAIN GASKET	1	-8134613	629 0270 0
3-035	990-60004-061	WING BOLT 4X6	1	-8134613	990 6000 0
3-036	994-34040-121	SCREW 4X12/S	2		994 3034 8

FIG.4 AIR CLEANER



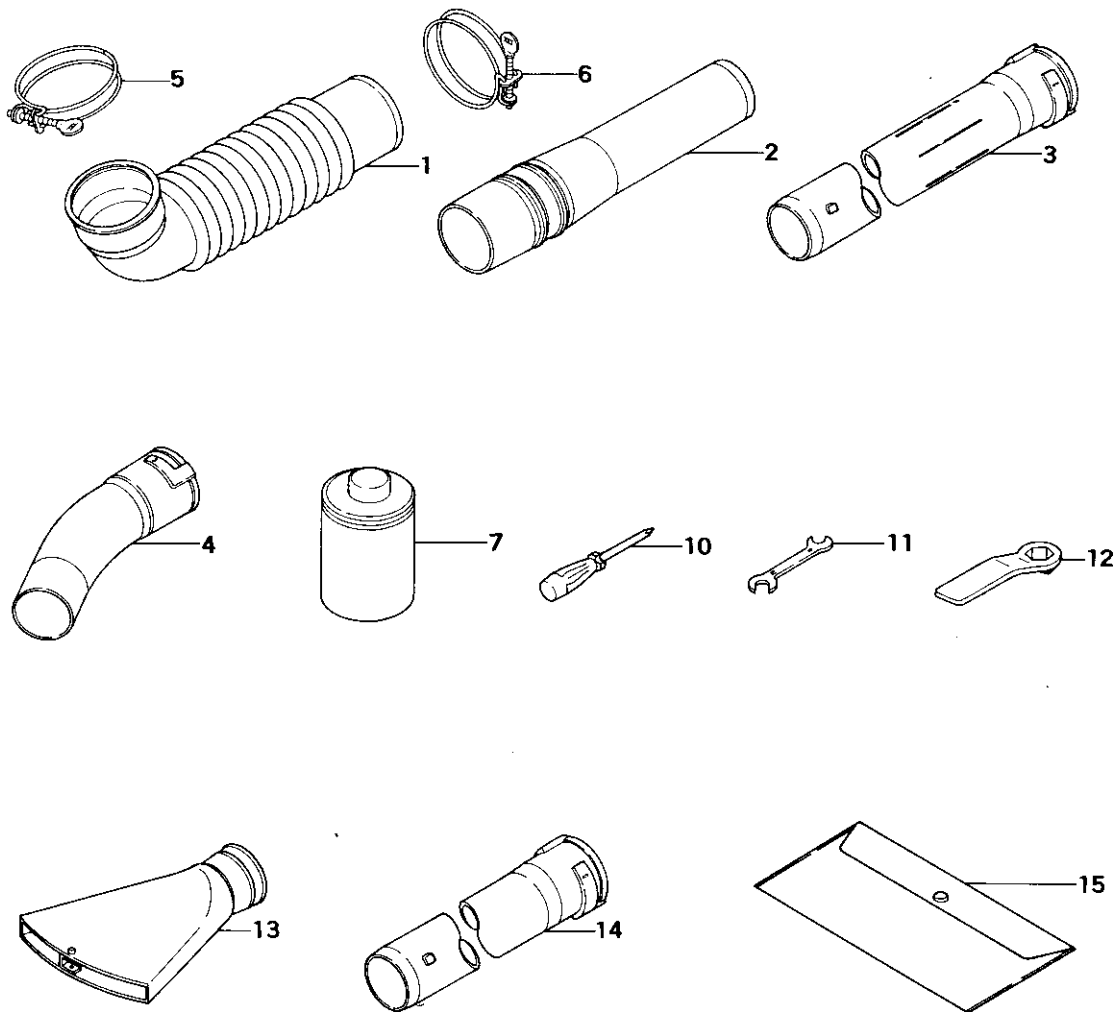
REFERENCE NUMBER	PRODUCTION PART NUMBER	PART NAME	QUANTITY	SERIAL NUMBER	SPARE PART NUMBER
FIG.4 AIR CLEANER					
4-000	410-01225-910	AIR CLEANER ASS*Y	1		410 0261 4
4-001	423-01201-201	CLEANER BODY	1		423 0121 7
4-002	425-03000-200	CLEANER HOLDER A	1		425 0100 8
4-005	426-01225-201	CLEANER RETAINER B	1		426 0060 4
4-006	444-01225-200	ELEMENT A	2		444 0050 9
4-007	424-01202-210	CLEANER CAP	1		424 0131 1
4-008	203-01225-201	GROMMET	1		203 0021 6

FIG.5 RECOIL STARTER



REFERENCE NUMBER	PRODUCTION PART NUMBER	PART NAME	QUANTITY	SERIAL NUMBER	SPARE PART NUMBER
FIG.5 RECOIL STARTER					
5-000	756-01250-902	RECOIL STARTER ASS'Y	1		756 0262 0
5-001	772-01250-201	RECOIL STARTER BODY	1		772 0321 4
5-002	779-01250-200	RECOIL SPRING	1		779 0050 6
5-003	769-01250-200	STARTER ROPE REEL	1		769 0000 8
5-004	832-01250-200	RETURN SPRING	1		832 0000 1
5-005	836-01250-200	FRICTION SPRING	1		836 0000 9
5-006	788-01250-200	STARTER PAWL	1		788 0030 8
5-007	837-01250-200	FRICTION PLATE	1		837 0000 6
5-008	990-15050-121	SCREW 5X12	1		990 1200 1
5-009	783-01250-200	ROPE	1		783 0040 0
5-010	785-01250-201	STARTER HANDLE	1		785 0041 3
5-011	835-01250-201	HANDLE CAP	1		835 0000 2

FIG.6 ACCESSORIES



REFERENCE NUMBER	PRODUCTION PART NUMBER	PART NAME	QUANTITY	SERIAL NUMBER	SPARE PART NUMBER
FIG.6 ACCESSORIES					
6-001	101-31305-210	FLEXIBLE PIPE	1		101 0021 1
6-002	102-31305-200	SWIVEL PIPE	1		102 0040 3
6-003	103-31307-200	STRAIGHT PIPE L	1	C106197-	103 0070 1
6-004	104-31305-200	BENT PIPE	1		104 0010 8
6-005	110-31305-200	WIRE CLAMP 85	1		110 0090 7
6-006	111-31305-200	WIRE CLAMP 78	1		111 0010 8
6-007	870-31305-200	FUEL MIXING BOTTLE	1		870 0340 6
6-010	860-31305-200	SCREW DRIVER	1		860 0010 3
6-011	801-20000-200	SPANNER 8X10	1		801 0060 7
6-012	850-31305-200	WRENCH 21	1		850 0040 1
6-013	273-31307-200	FAN HEAD	1		273 0090 7
6-014	103-31305-200	STRAIGHT PIPE S	2	-C106196	103 0010 9
6-014	103-31305-200	STRAIGHT PIPE S	1	C109167-	103 0010 9
6-015	940-31305-200	TOOL BAG	1		940 0090 4

Free Manuals Download Website

<http://myh66.com>

<http://usermanuals.us>

<http://www.somanuals.com>

<http://www.4manuals.cc>

<http://www.manual-lib.com>

<http://www.404manual.com>

<http://www.luxmanual.com>

<http://aubethermostatmanual.com>

Golf course search by state

<http://golfingnear.com>

Email search by domain

<http://emailbydomain.com>

Auto manuals search

<http://auto.somanuals.com>

TV manuals search

<http://tv.somanuals.com>