

# **Tanaka** Illustrated Parts Manual

Model Number:

**TBL-7600/R**  
**BACKPACK BLOWER**

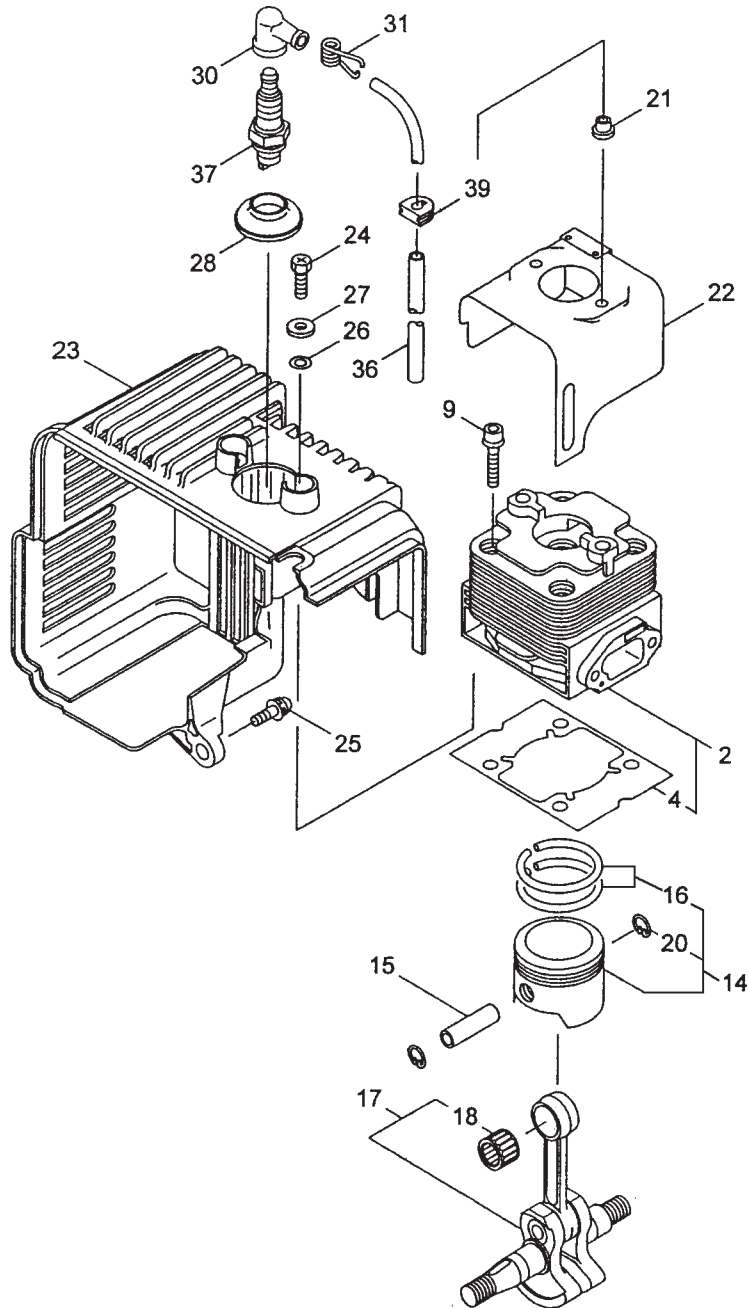
P/N 32769  
Rev 000  
Date 5-4-07



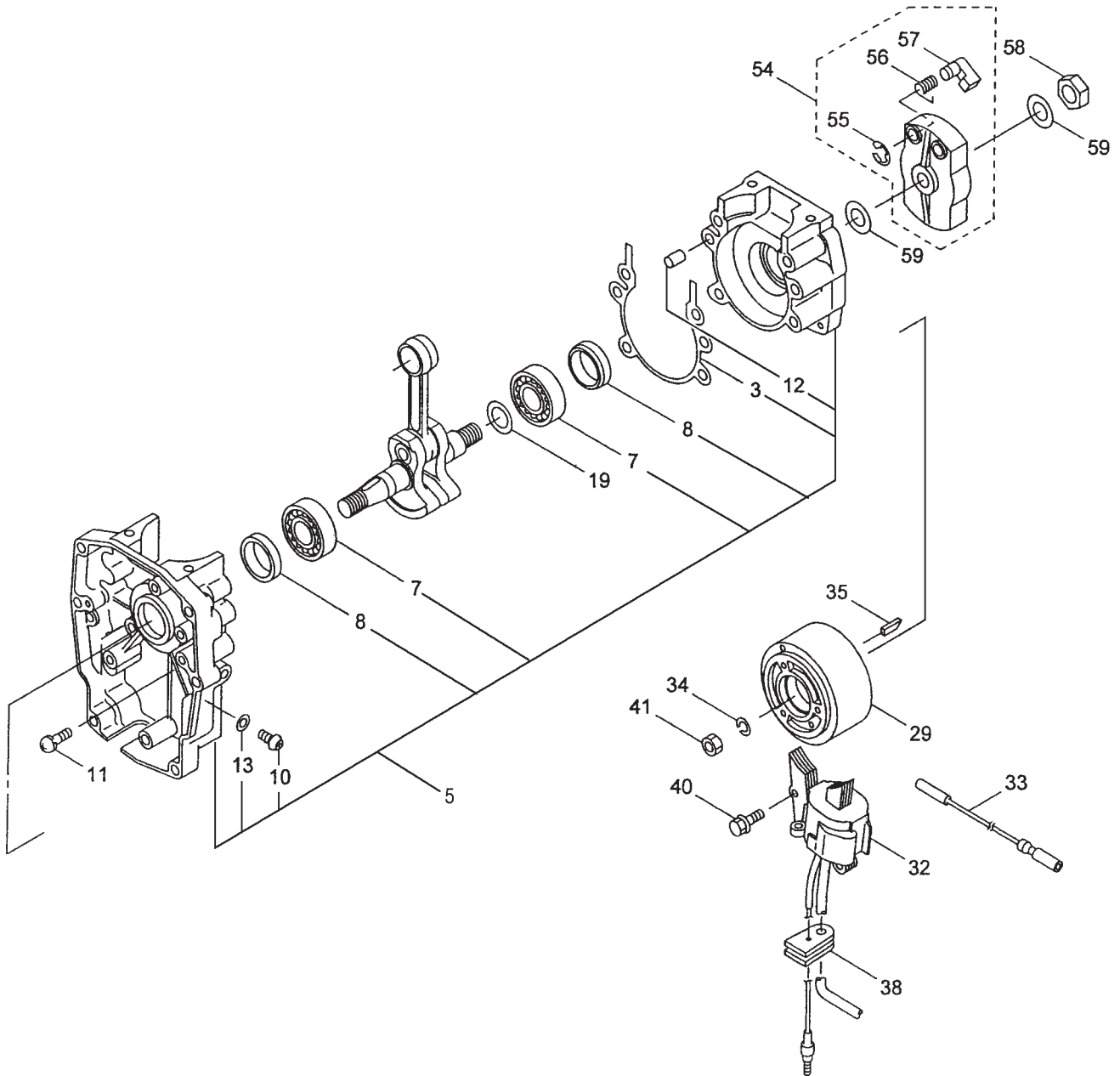
Nikko Tanaka Engineering U.S.A.,Ltd. • 1028 4<sup>th</sup> Street SW, Bldg B • Auburn, WA 98001 • Phone: (253) 333-1200 • Fax: (253) 333-1212

[www.tanakapowerequipment.com](http://www.tanakapowerequipment.com)

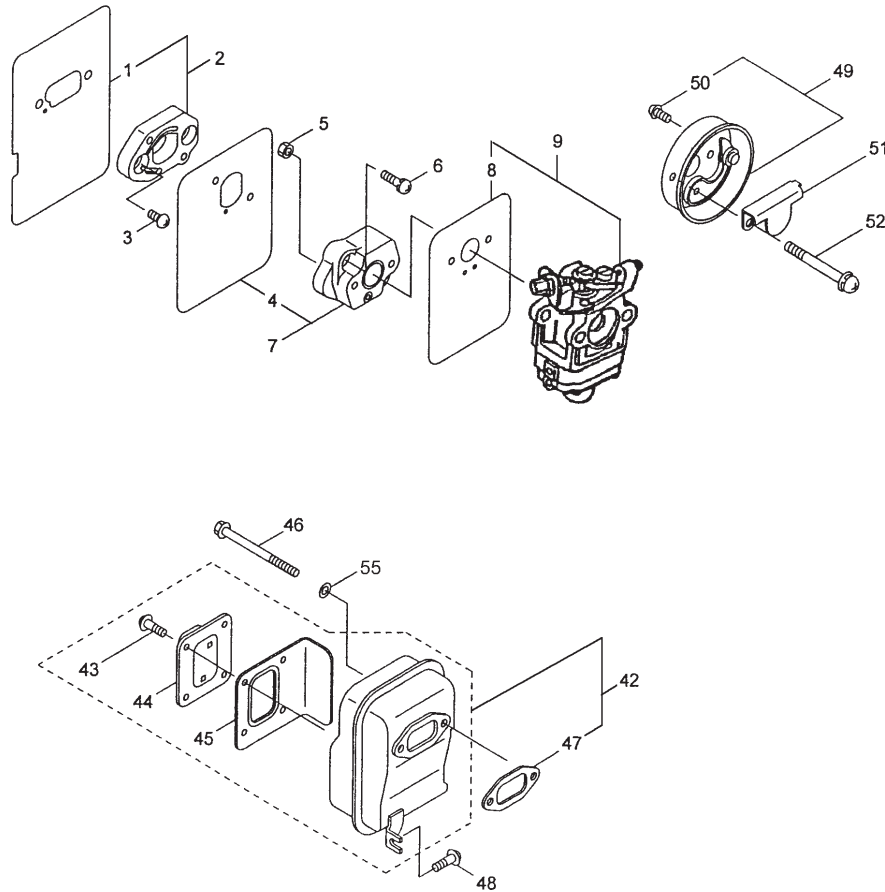
[custsvc@nikko-tanaka-usa.com](mailto:custsvc@nikko-tanaka-usa.com)



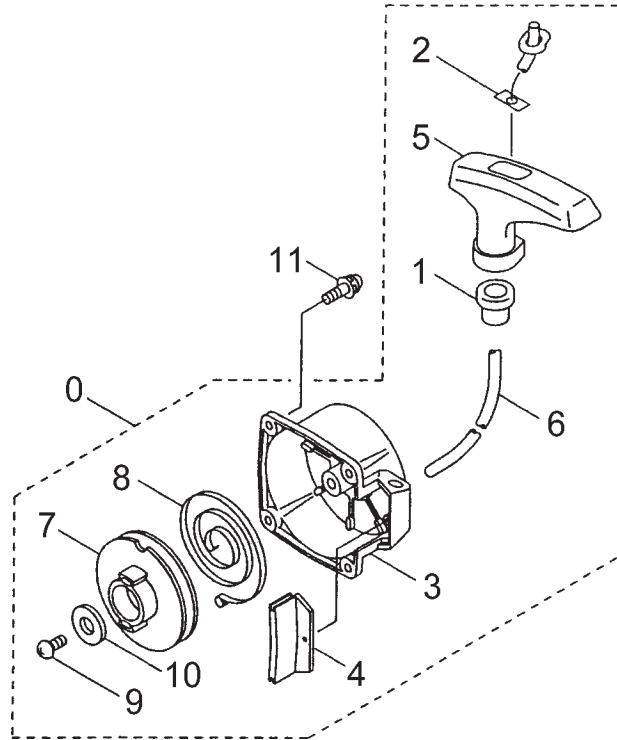
ITEM	PART NUMBER	DESCRIPTION	QTY	COMMENTS	
1-2	0011600090	CYLINDER SET	1	Includes gasket	
1-4	0171600020	GASKET,CYLINDER	1		
1-9	8131600020	BOLT	4		
1-14	0301600090	PISTON SET	1		Includes rings & circlips
1-15	0371600020	PISTON PIN	1		
1-16	0411600090	RING,PISTON SET	1		
1-17	0461600080	CRANKSHAFT	1		
1-18	8001600020	BEARING,NEEDLE	1		
1-20	0391600020	CIRCLIP	2		
1-21	0601600020	SPACER	2		
1-22	0161600020	COVER,CYLINDER	1		
1-23	7381600080	PROTECTOR,MUFFLER	1		
1-24	8121600020	BOLT	2		
1-25	8111600020	SCREW	1		
1-26	8311600020	WASHER	2		
1-27	8301600020	WASHER,A	2		
1-28	7381600020	COVER,PLUG	1		
1-30	2511600020	CAP,SPARK PLUG	1		
1-31	2521600020	TERMINAL,SPARK PLUG	1		
1-36	8411600020	TUBE,PROTECTION	1		
1-37	0181271020	PLUG,SPARK	1		
1-39	2021600020	GROMMET,B	1		



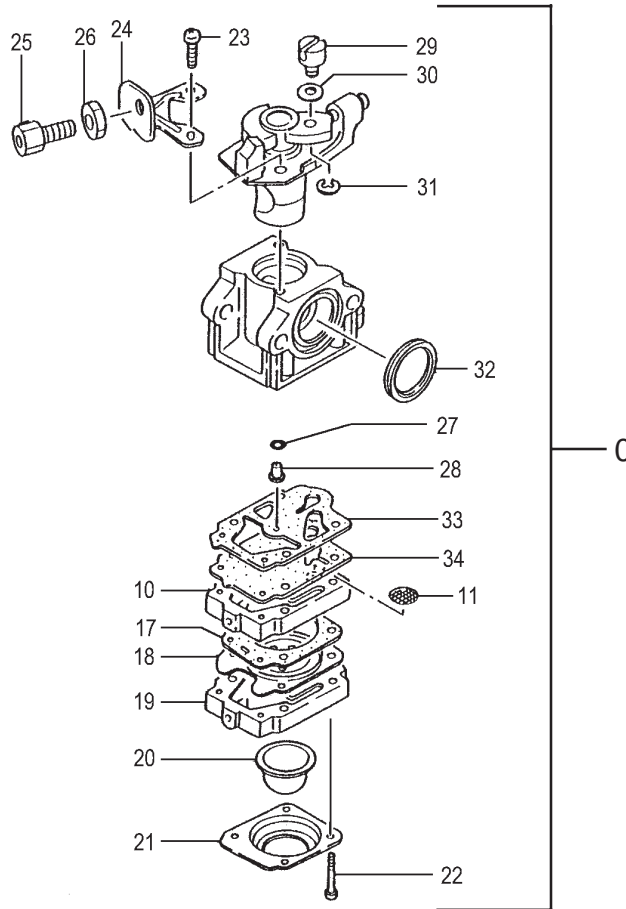
ITEM	PART NUMBER	DESCRIPTION	QTY	COMMENTS
2-3	0901600020	GASKET,CRANKCASE	1	
2-5	0721600090	CRANKCASE	1	
2-7	8011600020	BEARING,BALL	2	
2-8	0441600020	SEAL,OIL	2	
2-10	8061600020	SCREW,A	1	
2-11	8141600020	SCREW	4	
2-12	8401600020	KNOCK PIN	2	
2-13	8201600020	PACKING	1	
2-19	8021600020	SHIM,CRANKSHAFT	V	
2-19	8031600020	SHIM,CRANKSHAFT	V	
2-19	8041600020	SHIM,CRANKSHAFT	V	
2-19	8051600020	SHIM,CRANKSHAFT	V	
2-29	1551600080	MAGNETO	1	
2-32	1671600080	COIL,IGNITION	1	
2-33	8421600020	WIRE	1	
2-34	8431600020	WASHER,S	1	
2-35	0681600020	KEY,WOODRUFF	1	
2-38	2031600020	GROMMET,A	1	
2-40	8151600020	BOLT	2	
2-41	8291600020	NUT	1	
2-54	7981600090	PULLEY ASSY,STARTER	1	
2-55	2581600020	RING,STOP	1	
2-56	7661600020	SPRING,STARTER PAWL	1	
2-57	7651600020	PAWL,STARTER	1	
2-58	0321600020	NUT,SPECIAL	1	
2-59	8321600020	WASHER,C	2	



ITEM	PART NUMBER	DESCRIPTION	QTY	COMMENTS
3-1	8181600020	GASKET,MANIFOLD	1	
3-2	8191600090	INTAKE MANIFOLD SET	1	
3-3	8171600020	SCREW	2	
3-4	4031600020	GASKET,INSULATOR	1	
3-5	8281600020	NUTS	2	
3-6	8261600020	BOLT	2	
3-7	4041600090	INSULATOR,SET	1	
3-8	4021600020	GASKET,CARBURETOR	1	
3-9	4551600090	CARBURETOR SET	1	Includes gasket
3-42	7041600090	MUFFLER SET	1	
3-43	8101600020	SCREW	4	
3-44	7321600020	ARRESTER,SPARK	1	
3-45	7511600020	GASKET,TAIL PIPE	1	
3-46	8261600020	BOLT	2	
3-47	7371600020	GASKET,MUFFLER	1	
3-48	8271600020	SCREWS	1	
3-49	4361600020	BASE,CLEANER	1	
3-50	8081600020	SCREW	1	
3-51	4761600020	BOARD,CHECK	1	
3-52	8091600020	SCREW	2	
3-55	8351600020	WASHER	2	

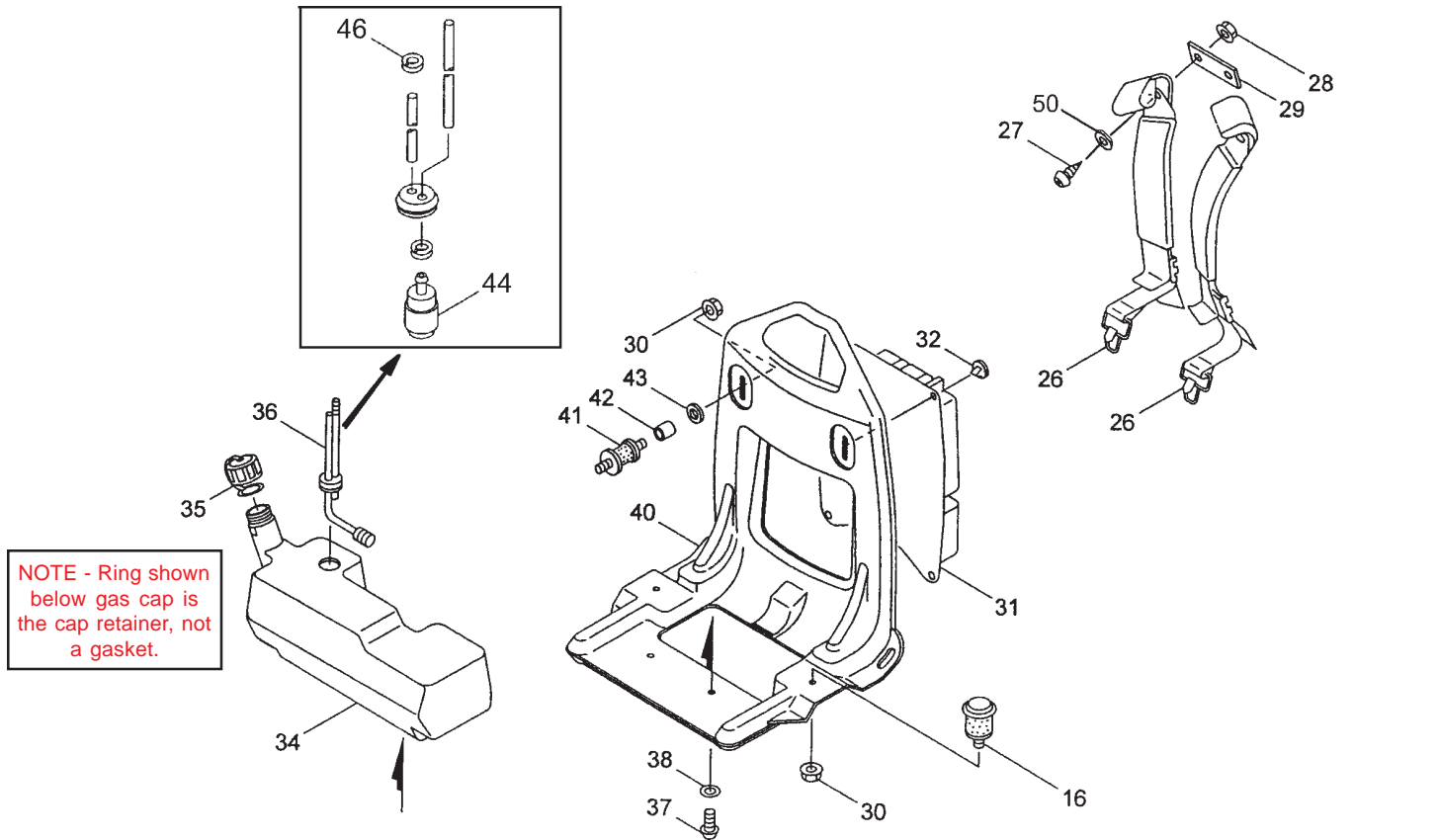


ITEM	PART NUMBER	DESCRIPTION	QTY	COMMENTS
4-0	7621600090	STARTER ASSY	1	
4-1	7801600020	GUIDE, ROPE	1	
4-2	8331600020	STOP, ROPE	1	
4-3	7621600020	STARTER BODY	1	
4-4	7631600020	PLATE, RECOIL	1	
4-5	7851600020	HANDLE, STARTER	1	
4-6	7831600020	ROPE, STARTER	1	
4-7	7691600020	REEL, STARTER ROPE	1	
4-8	7791600020	SPRING, STARTER	1	
4-9	8071600020	SCREW, SET	1	
4-10	8341600020	WASHER, E	1	
4-11	8161600020	SCREW	4	

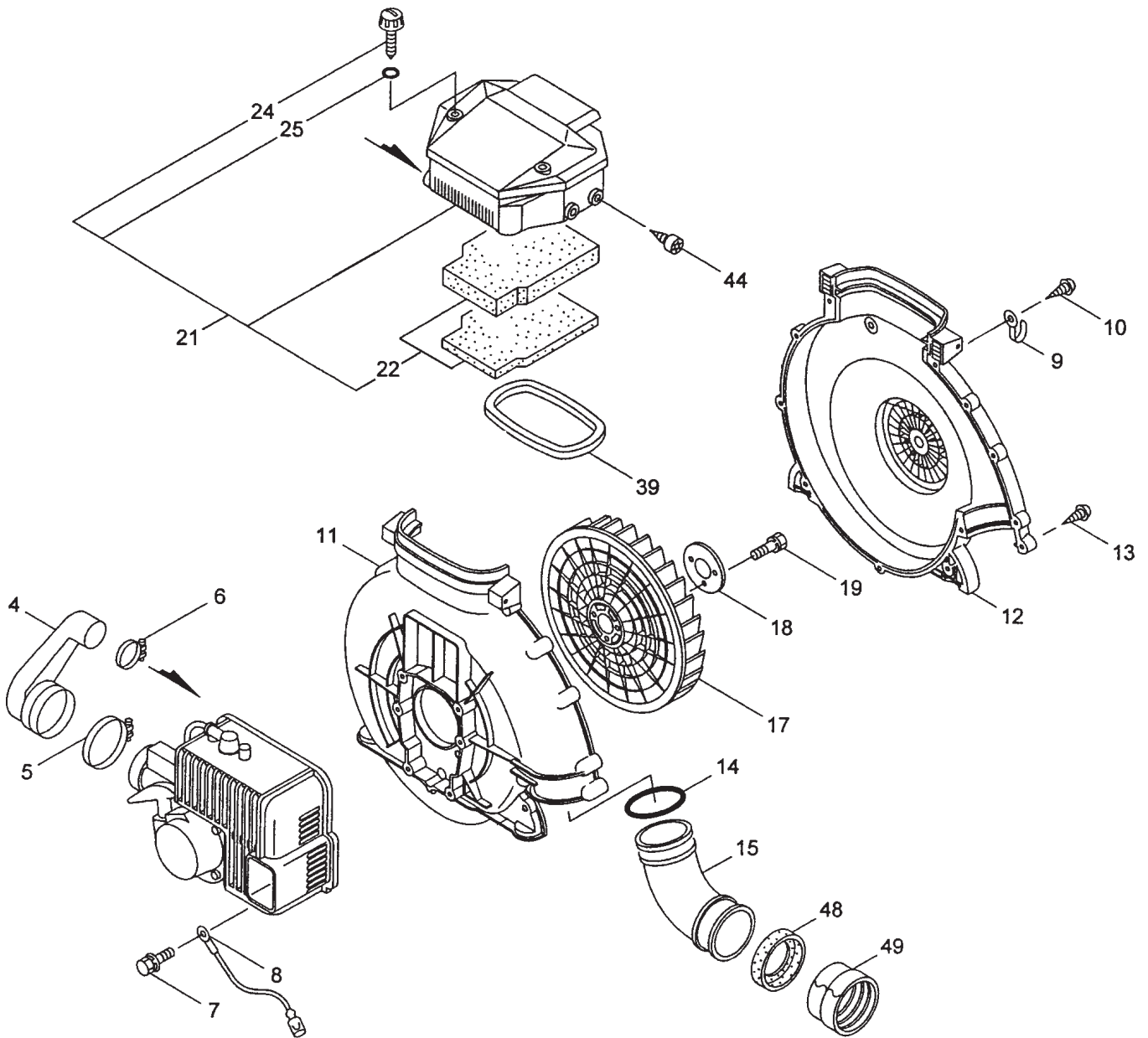


ITEM	PART NUMBER	DESCRIPTION	QTY	COMMENTS
5-0	4551600090	CARBURETOR SET	1	Includes gasket
5-10	5752515380	BODY,PUMP	1	
5-11	57825007200	SCREEN,INLET	1	
5-17	4752515320	GASKET,DIAPHRAGM	1	
5-18	47425001800	DIAPHRAGM,METERING	1	
5-19	4422515180	PUMP,PRIMING	1	
5-20	44725108200	BULB,PRIMING	1	
5-21	4762515120	COVER,DIAPHRAGM	1	
5-22	5482515120	SCREW,SET	4	
5-23	51425100200	SCREW,THROTTLE SET	2	
5-24	54425164200	STAY,ADJUST,CABLE	1	
5-25	61425137200	ADJUSTER,CABLE	1	
5-26	99101060013	NUT,6	1	
5-27	55025100200	O-RING	1	
5-28	5992527920	JET,MAIN #52	1	
5-29	53925120200	SWIVEL	1	
5-30	5492516520	WASHER,THRUST	1	
5-31	48925100200	RING,STOP	1	
5-32	4310634C200	GASKET,CLEANER	1	
5-33	57725100200	GASKET,PUMP	1	
5-34	57625100200	DIAPHRAGM,PUMP	1	
	65025124900	KIT,CARB REPAIR	1	



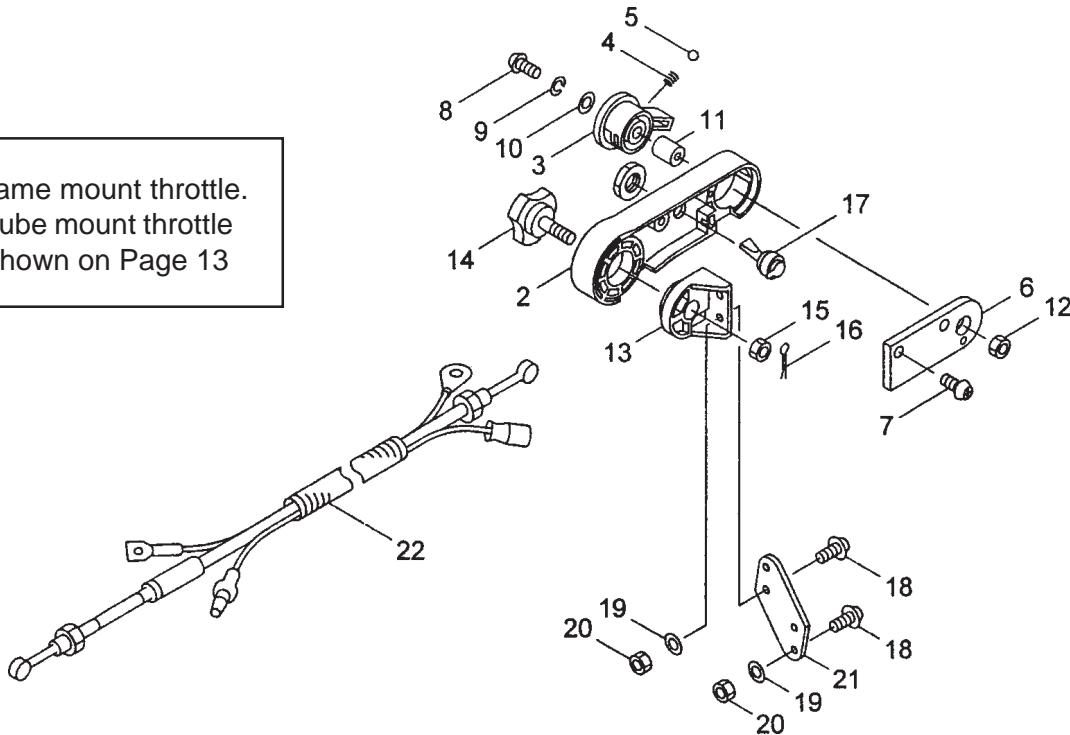


ITEM	PART NUMBER	DESCRIPTION	QTY	COMMENTS
6-16	0303190020	CUSION,RUBBER,BOTTOM	2	
6-26	0193131980	BAND	2	
6-27	8123190020	SCREW,G,M6x16	2	
6-28	83531900200	NUT,F.M6	2	
6-29	0163190020	STAY,BAND	1	
6-30	0293131320	NUT,SPECIAL	4	
6-31	0213190020	PAD,CUSHION	1	
6-32	0463190020	FASTENER	4	
6-34	5913190080	TANK,FUEL	1	
6-35	5953190090	CAP,TANK	1	
6-36	2233190090	PIPE,FUEL ASSY	1	
6-37	8153190020	SCREW,J,M5x14	2	
6-38	8303190020	WASHER,A	2	
6-40	0203190080	FRAME	1	
6-41	03031307200	BUFFER	2	
6-42	0603190020	COLLAR	2	
6-43	8313190020	WASHER PACKING	2	
6-44	67531900900	FILTER,FUEL ASSY	1	
N/A	N/A	GROMMET,RETURN	1	Order #36 Fuel Pipe Assy
6-46	6803190020	CLIP	2	
N/A	N/A	PIPE,FUEL A	1	Order #36 Fuel Pipe Assy
N/A	N/A	PIPE,FUEL B	1	Order #36 Fuel Pipe Assy
6-50	0263190020	WASHER,CAP	2	

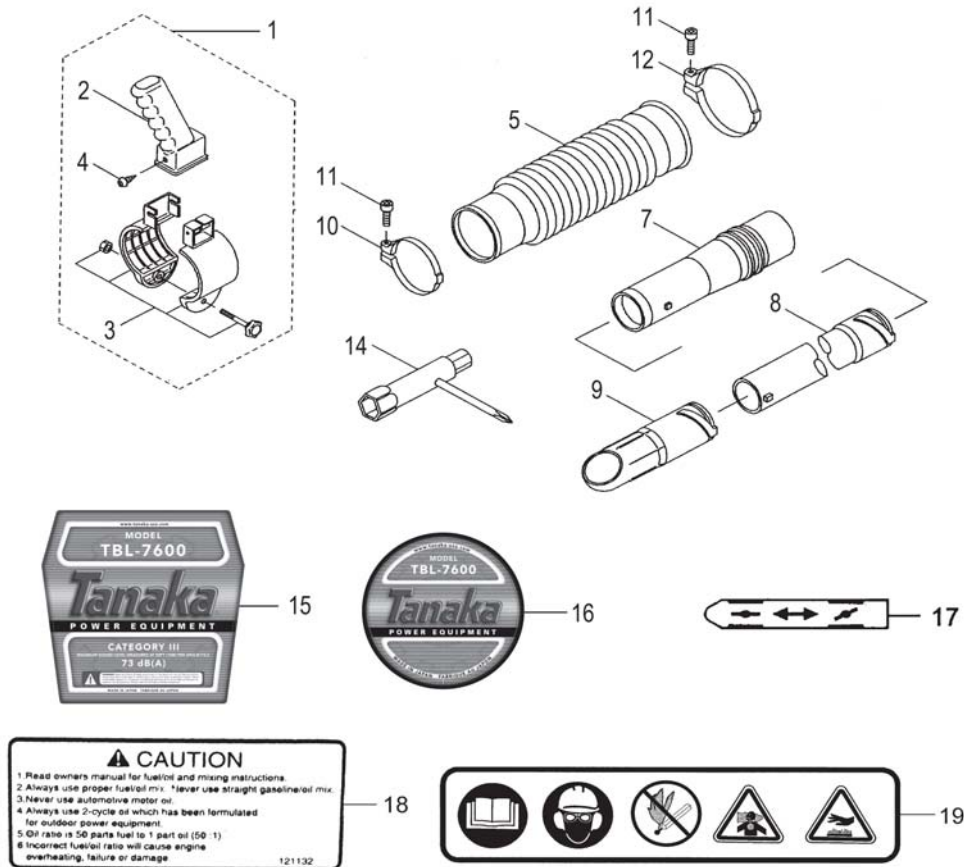


ITEM	PART NUMBER	DESCRIPTION	QTY	COMMENTS
7-4	4373190020	TUBE,CLEANER	1	
7-5	7703190020	CLAMP,A	1	
7-6	7713190020	CLAMP,B	1	
7-7	8103190020	BOLT,E,M6x30	6	
7-8	1781600020	WIRE,GROUND	1	
7-9	1103190020	CLAMP,WIRE	1	
7-10	8133190020	SCREW,TAPPING	1	
7-11	0103190080	CASE,FAN E	1	
7-12	0113190080	CASE,FAN S	1	
7-13	8113190020	SCREW,TAPPING	2	
7-14	2313190020	RING-O,#85	1	
7-15	2703190020	PIPE,ELBOW	1	
7-17	1273190020	FAN	1	
7-18	0273190020	PLATE,SPECIAL	1	
7-19	8143190020	BOLT,I,M6x40	3	
7-21	4233190090	AIR CLEANER ASSY	1	
7-22	4443190090	ELEMENT ASSY	1	
7-24	8613190020	KNOB,AIR FILTER	2	
7-25	2253190020	PACKING,RUBBER	2	
7-39	5933190020	PACKING	1	
7-44	8163190020	SCREW,TAPPING	4	
7-48	2353190020	BAND,RUBBER	1	
7-49	3173190020	JOINT COLLAR	1	

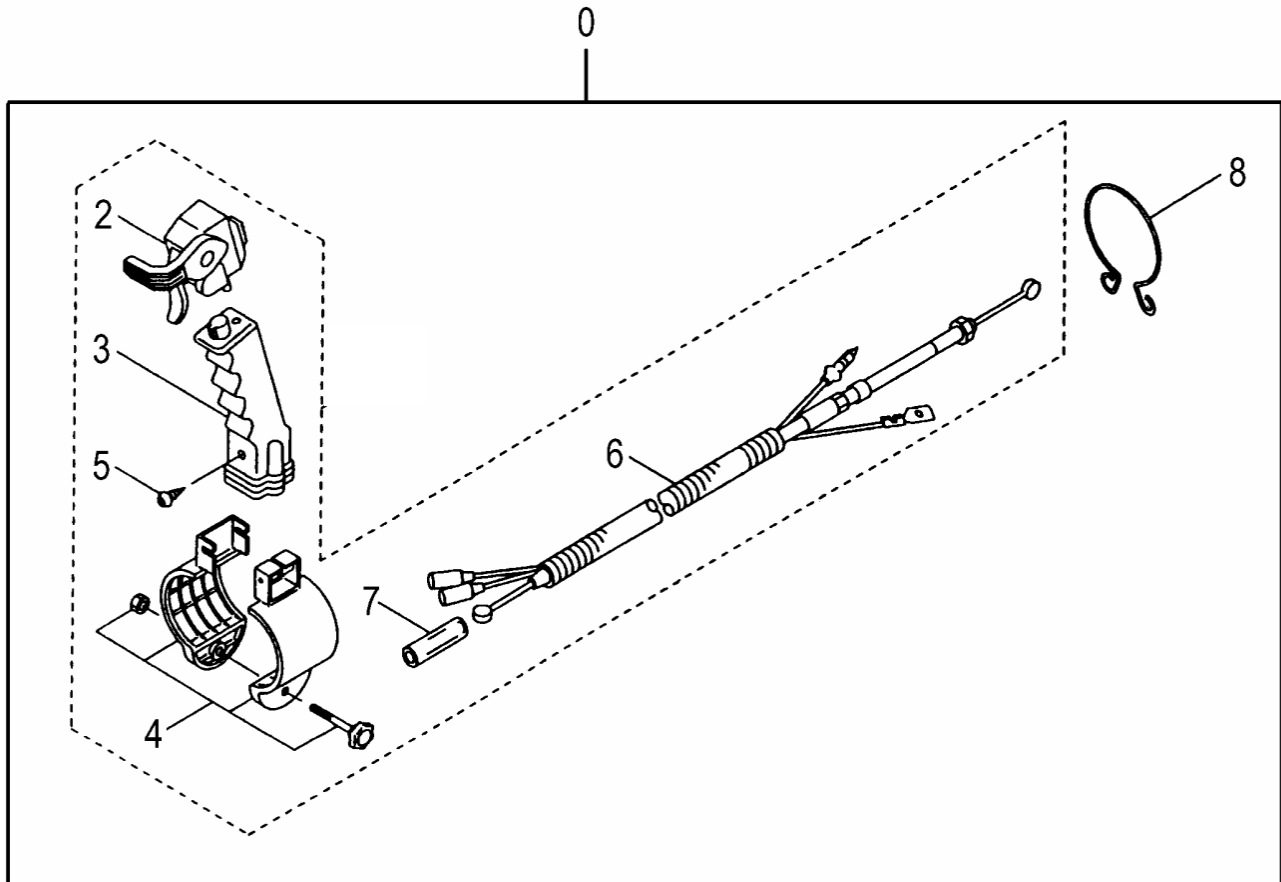
Frame mount throttle.  
Tube mount throttle  
shown on Page 13



ITEM	PART NUMBER	DESCRIPTION	QTY	COMMENTS
8-2	25031310200	ARM,THROTTLE LEVER	1	
8-3	26331310200	LEVER,THROTTLE	1	
8-4	33331310200	SPRING,THROTTLE LEVER	1	
8-5	33431310200	BALL,STEEL 5/32	1	
8-6	24731310200	COVER,THROTTLE LEVER ARM	1	
8-7	99311041012	SCREW,TAPPING,4X10	2	
8-8	99011060251	SCREW,6X25	1	
8-9	99210060012	WASHER,S,6	1	
8-10	99200060011	WASHER,SMALL,6	1	
8-11	25631310200	COLLAR	1	
8-12	99101060011	NUT,6	1	
8-13	0403131320	BRACKET,THROTTLE LEVER	1	
8-14	3353131380	KNOB	1	
8-15	99178080010	NUT,8	1	
8-16	99290200150	PIN,SPLIT	1	
8-17	16201300900	SWITCH,STOP	1	
8-18	99011060201	SCREW,6X20	4	
8-19	99201060011	WASHER,6	4	
8-20	99178060010	NUT,LOCK,6	4	
8-21	0173190020	BRACKET STAY	1	
8-22	8853190080	WIRE,THROTTLE	1	



ITEM	PART NUMBER	DESCRIPTION	QTY	COMMENTS
9-1	2483190090	HANDLE GRIP ASSY	1	
9-2	2483190020	HANDLE GRIP	1	
9-3	2623190090	GRIP BAND ASSY	1	
9-4	8093190020	SCREW,TAPPING	2	
9-5	1023190020	PIPE,FLEXIBLE	1	
9-7	1013190020	PIPE,SWIVEL	1	
9-8	1033190020	PIPE,STRAIGHT	1	
9-9	1053190020	PIPE,BLOW	1	
9-10	1003190020	BAND,HOSE,#82	1	
9-11	99011050251	SCREW,5X25	2	
9-12	2673190020	BAND,HOSE #100	1	
9-14	8292000080	SPANNER,COMBI,13X19	1	
9-15	9063190020	DECAL,MODEL TBL-7600	1	
9-16	9293190020	DECAL,SYMBOL	1	
9-17	9083190020	DECAL,CHOKE	1	
9-18	9093190020	DECAL,CAUTION	1	
9-19	9193190020	DECAL,CAUTION A	1	



Tube mount throttle.  
Frame mount throttle  
shown on Page 11.

ITEM	PART NUMBER	DESCRIPTION	QTY	COMMENTS
10-0	32839	THROTTLE KIT,TBL-7600	1	
10-2	0133190090	THROTTLE LEVER	1	
10-3	2483131720	GRIP,THROTTLE	1	
10-4	2623190090	GRIP BAND ASSY	1	
10-5	99311051811	SCREW,TAPPING,5x18	2	
10-6	8873190080	THROTTLE WIRE HARNESS	1	
10-7	2833190020	TUBE	1	
10-8	2293190020	CLAMP	1	

## Free Manuals Download Website

<http://myh66.com>

<http://usermanuals.us>

<http://www.somanuals.com>

<http://www.4manuals.cc>

<http://www.manual-lib.com>

<http://www.404manual.com>

<http://www.luxmanual.com>

<http://aubethermostatmanual.com>

Golf course search by state

<http://golfingnear.com>

Email search by domain

<http://emailbydomain.com>

Auto manuals search

<http://auto.somanuals.com>

TV manuals search

<http://tv.somanuals.com>