

Tanaka

Parts Catalog

Blower / Vac

Model: THB-2400

Part # 27274 3-26-97

THB-2400

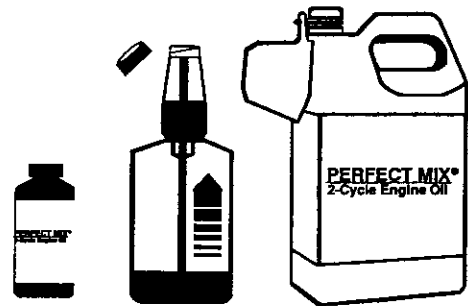
OPTIONS AND ACCESSORIES

MANUALS / CATALOGS

27274	Owner's Manual
27293	Parts Catalog

VACUUM ATTACHMENT
part no. 301400 (Fig. 3)

PERFECT MIX® 2-Cycle Engine Oil



700109 2.8 oz. Bottle, 1 Gallon Size (24*)
700108 16 oz. Self-measuring Bottle (24*)
700110 1 Gallon Jug Commercial Size (6*)
* Case Quantity

SPECIAL TOOLS

215432	Pressure Test Tool	111124	T-27 Torx Drive 3.5"
217720	Torx Drive Set	323330	Ignition Tester
222785	T-25 Torx Drive 3.5	91424	Tachometer
009-29323-500	Piston Pin Remover		

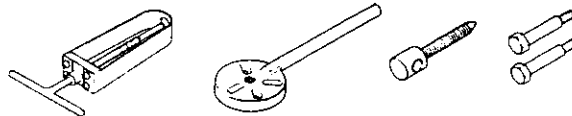


FIGURE 1

POWERHEAD ASSEMBLY

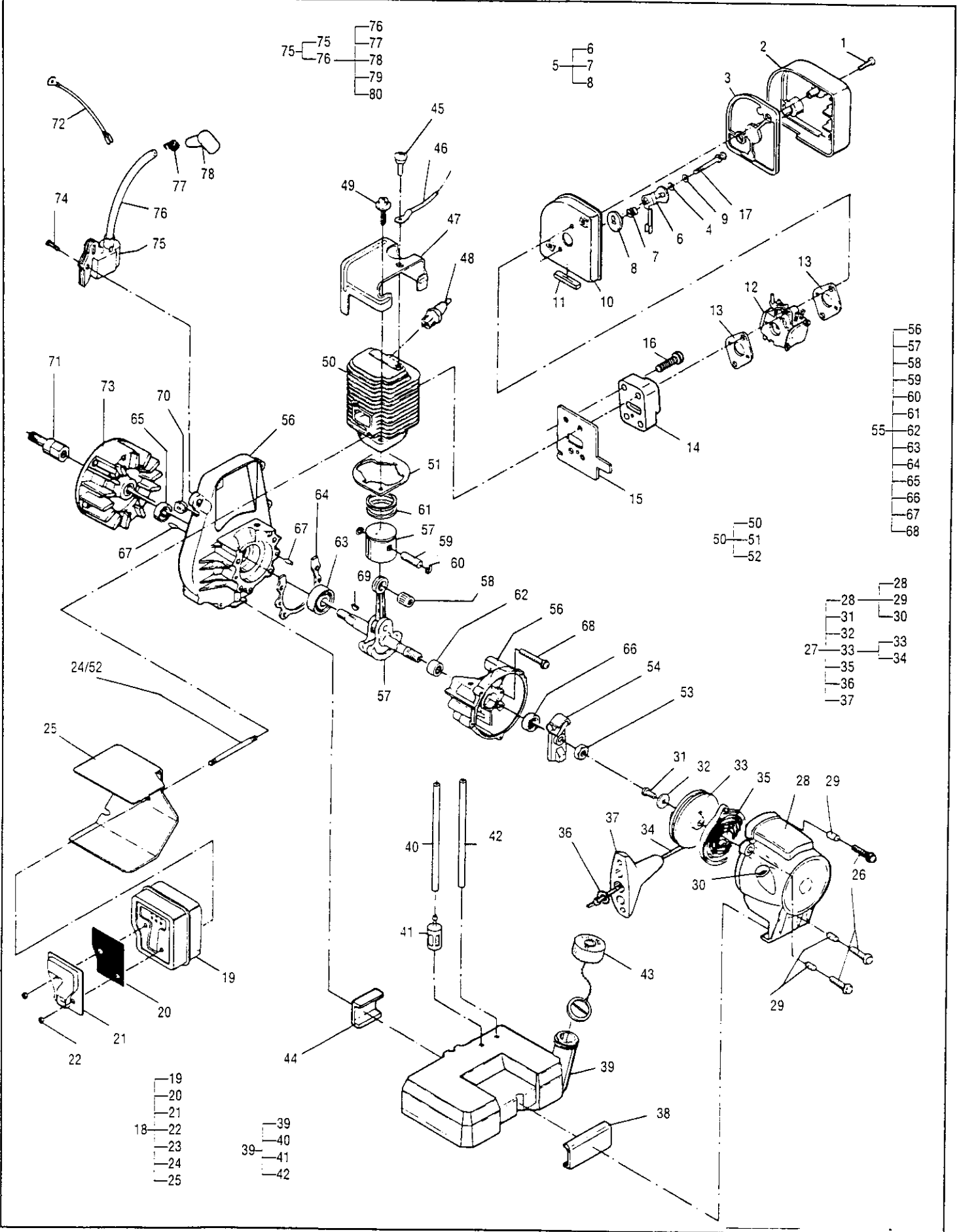


FIGURE 1

THB-2400 PARTS LISTING

REF.	PART NO.	PART DESCRIPTION	Q	C	S	SERIAL NO	REMARKS
1	217669	SCREW,M4X25	2		C		
2	215988	COVER,AIR CLEANER	1		D		
3	217376	FILTER,AIR	1		D		
4	215993	SPACER	1		D		
5	223730	KIT,CHOKE,ASS'Y	1		D		
7	219016	SPRING,SHUTTER	1		C		
8	219076-01	SHUTTER,CHOKE PLATE	1		C		
9	216591	WASHER	1		C		
10	216108	CLEANER,AIR	1		D		
11	215992	GROMMET	1		D		
12	323704-04	CARBURTOR	1		C		See fig. 4
13	224148	GASKET,CARBURETOR	2		C		
14	323323-01	INSULATOR,CARBURETOR	1		C		
15	323592	INSULATOR,GASKET	1		C		
16	217669	SCREW,M4X25	2		C		
17	111063	SCREW,M5x.8x21.5	2		C		
18	300631-01	KIT,MUFFLER	1		C		
19	301833-01	MUFFLER	1		C		
20	322018	SCREEN,SPARK ARRESTOR	1		C		
21	322019	PLATE,DEFLECTOR	1		C		
22	235642	NUT	2		C		
23	222480	STUD,MUFFLER	2		D		
24	323419	STUD,MUFFLER	2		C		
25	323759	SHIELD,MUFFLER	1		C		
26	216022	SCREW,M4X21.4	3		C		
27	301355	STARTER,ASS'Y	1		C		
28	301356	HOUSING,STARTER	1		C		
29	219585	SPACER,STARTER HOUSING	3		C		
31	222800	SCREW,M4X9.5	1		D		
32	216590	WASHER,FLAT M4	1		C		
33	301252	DRUM,ROPE,ASS'Y	1		C		
34	216093	ROPE,STARTER	1		D		
35	300474	SPRING STARTER	1		C		
36	218941	WASHER,NYLON	1		D		
37	216792	HANDLE,STARTER	1		D		
38	217382	CUSHION,TANK	1		C		
39	219901	TANK,FUEL	1		C		
40	225162	PIPE,FUEL	1		B		
41	300869	FILTER,FUEL	1		B		

* Indicates the part is included in a kit or assembly and is not available individually. Q=Quan. used
C=Interchangeability S=Stocking code: A-Fast moving B=Med. fast C=Med. move D=Slow move
E=N.L.A. F=Superseded or replaced by a new part

FIGURE 1 cont.

THB-2400 PARTS LISTING

REF.	PART NO.	PART DESCRIPTION	Q	C	S	SERIAL NO.	REMARKS
42	219897	HOSE,FUEL RETURN	1		C		
43	301376	KIT,FUEL CAP/DECAL	1		A		
44	217390	CUSHION,TANK	1		C		
45	213178	SCREW,M5X8.5	1		D		
46	218649	WIRE,GROUND	1		D		
47	218586	COVER,CYLINDER	1		C		
48	322208	PLUG,SPARK	1		C		
49	217320	SCREW,M6X18	2		D		
50	225059-02	GASKET,CYLINDER KIT	1		C		
51	323716	GASKET,CYLINDER	1		B		
52	323419	STUD,MUFFLER	2		C		
53	216583	NUT,HEX	1		C		
54	225037	PAWL,STARTER,ASS'Y	1		C		
55	302150	KIT,CRANK CASE,SHAFT,PISTON	1		D		
56	302026	CRANKCASE,ASS'Y	1		C		
58	323930	BEARING,NEEDLE	1		D		
59	223589	PIN,WRIST	1		C		
60	111026	RING,SNAP	2		D		
61	323678-00	RING,PISTON	2		C		
62	213282	BEARING,ROLLER	1		C		
63	216143	BEARING,BALL	1		C		
64	215545	GASKET,CRANKCASE	1		D		
65	83859	SEAL,OIL	1		C		
66	216500	SEAL	1		C		
67	213191	PIN	4		D		
68	216027	SCREW,M5X28.5	4		C		
69	102164	KEY,FLYWHEEL	1		C		
70	215541	GROMMET	1		D		
71	218654	SHAFT,EXTENSION	1		C		
72	219383	WIRE,SWITCH ASS'Y	1		C		
73	222308	FLYWHEEL	1		C		
74	216022	SCREW,M4X21.4	2		C		
75	302138	IGNITION,ASS'Y	1		C		
76	223884	KIT,SPARK PLUG WIRE	1		C		
77	102556	CONNECTOR	1		C		
78	95266	BOOT	1		C		

* Indicates the part is included in a kit or assembly and is not available individually. Q=Quan. used
C=Interchangeability S=Stocking code: A-Fast moving B=Med. fast C=Med. move D=Slow move
E=N.L.A. F=Superceded or replaced by a new part

FIGURE 2

GENERAL ASSEMBLY

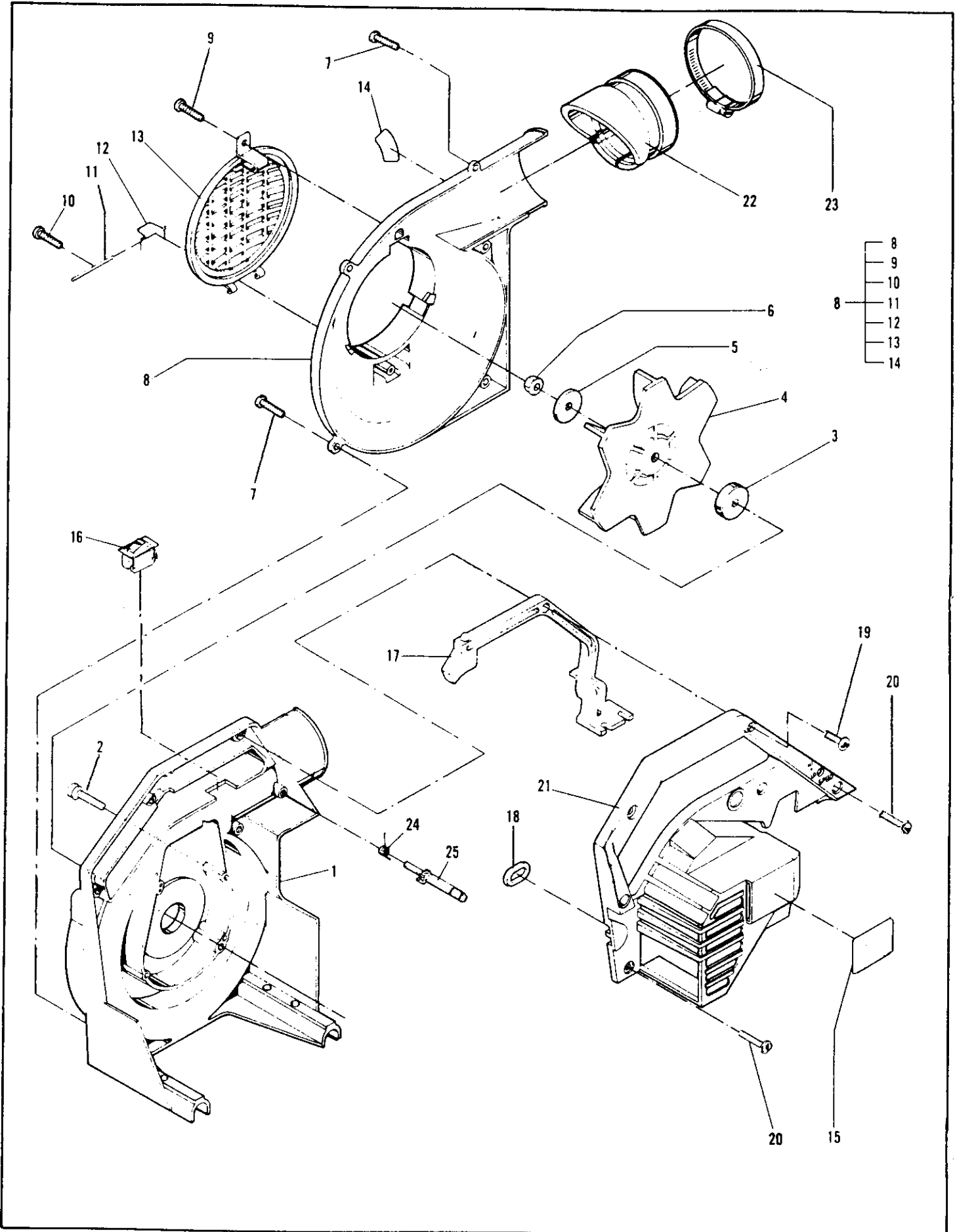


FIGURE 2

THB-2400 PARTS LISTING

REF.	PART NO.	PART DESCRIPTION	Q	C	S	SERIAL NO	REMARKS
1	322916	HOUSING,INNER,IMPELLER	1		C		
2	216022	SCREW,M4X21.4	4		C		
3	218655	DISC,DRIVE	1		C		
4	218518	IMPELLER	1		C		
5	218656	WASHER	1		C		
6	213169	NUT	1		C		
7	218644	SCREW	5		C		
8	301358	HOUSING,OUTER	1		C		
9	216389	SCREW	1		C		
10	218643	SCREW	1		C		
11	218538	PIN,COVER	1		C		
12	218539	SPRING,COVER	1		C		
13	218939	COVER,INLET	1		C		
14	46704-56	DECAL,WARNING	1		D		
15	46704-55	DECAL,WARNING	1		D		
16	223241	SWITCH,STOP	1		C		
17	219189	LEVER,THROTTLE	1		C		
18	218667	LINK,HARNESS	2		C		
19	219954	SCREW	1		C		
20	218644	SCREW	5		C		
21	219946	SHROUD,ENGINE	1		C		
22	219174	ADAPTER,TUBE	1		C		
23	219172	CLAMP,HOSE	1		C		
24	219187	SPRING,LOCK,THROTTLE	1		C		
25	219188	ACTIVATOR,LOCK,THROTTLE	1		C		

* Indicates the part is included in a kit or assembly and is not available individually. Q=Quan. used
C=Interchangeability S=Stocking code: A-Fast moving B=Med. fast C=Med. move D=Slow move
E=N.L.A. F=Superseded or replaced by a new part

ACCESSORIES

FIGURE 3

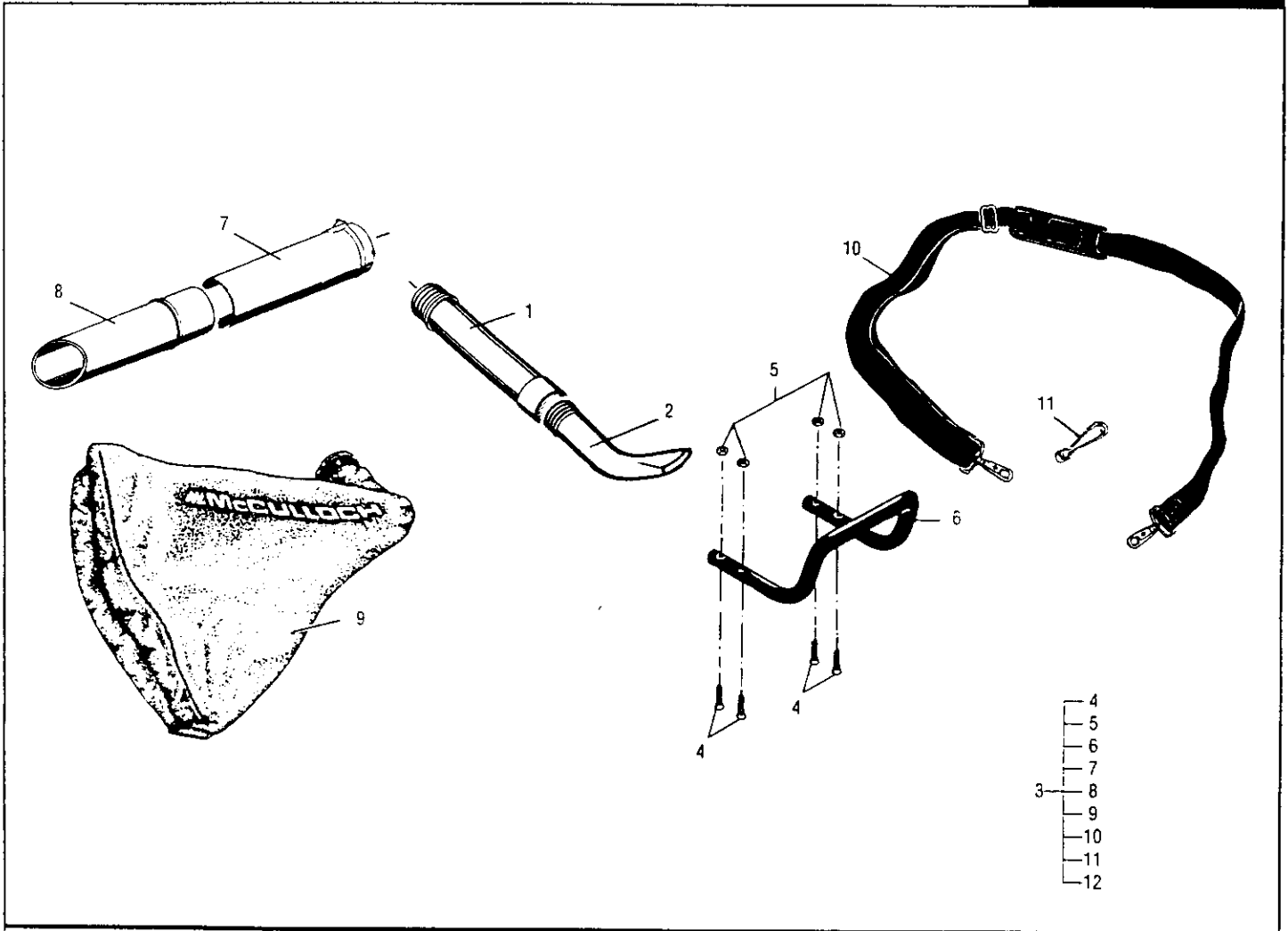


FIGURE 3

THB-2400 PARTS LISTING

REF.	PART NO.	PART DESCRIPTION	Q	C	S	SERIAL NO	REMARKS
1	219173-01	TUBE,BLOWER	1		C		
2	218841	NOZZLE	1		C		
3	301400	VAC KIT/THB-2100	1		A		
4	217937	SCREW	4		C		
5	105367	NUT,HX,10-24	4		C		
6	223800	FRAME,REAR	1		C		
7	223798	TUBE,SUCTION	1		C		
8	223799	TUBE,OUTER	1		C		
9	323155	BAG,ASS'Y	1		C		
10	218666	HARNESS	1		C		
11	218938	HOOK,SNAP	1		C		

FIGURE 4

CARBURETOR ASSEMBLY

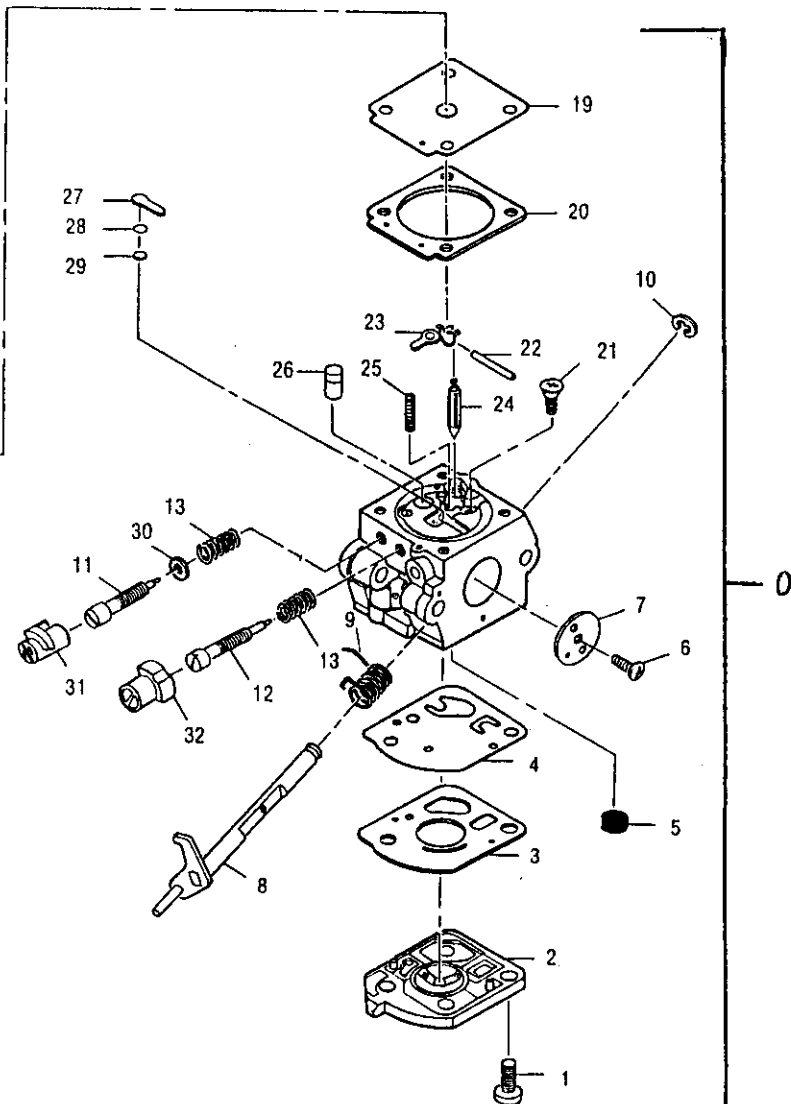
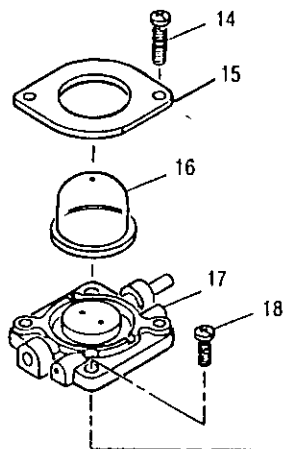


FIGURE 4

THB-2400 PARTS LISTING

REF.	PART NO.	PART DESCRIPTION	Q	C	S	SERIAL NO.	REMARKS
ALL	323704-04	CARBURETOR, ASS'Y	1		C		
1	~~~	SCREW, PUMP COVER	2				
2	~~~	COVER, PUMP	1				
3	~~~	(1)(2) GASKET, PUMP	1				(1) Carb. Repair Kit 300466
4	~~~	(1)(2) DIAPHRAGM, PUMP	1				
5	~~~	(1) STRAINER	1				(2) Carb. Gasket/Diaphragm Kit 300472
6	~~~	SCREW, THROTTLE VALVE	1				
7	~~~	VALVE, THROTTLE	1				
8	~~~	SHAFT ASS'Y, THROTTLE	1				
9	~~~	SPRING, THROTTLE	1				
10	~~~	"E" RING, THROTTLE	1				
11	~~~	(1) SCREW, HIGH SPEED	1				
12	~~~	(1) SCREW, LOW SPEED	1				
13	~~~	SPRING, ADJUSTER SCREW	2				
14	~~~	SCREW, METERING COVER	2				
15	~~~	RETAINER, PRIMER	1				
16	223756	BULB, PRIMER	1		C		
17	~~~	BASE ASS'Y, PRIMER	1				
18	~~~	SCREW, BASE ASS'Y	2				
19	~~~	(1)(2) DIAPHRAGM, ASS'Y, METER	1				
20	~~~	(1)(2) GASKET, METER. CHAMBER	1				
21	~~~	SCREW, PIN RETAINING	1				
22	~~~	(1) PIN, METERING LEVER	1				
23	~~~	(1) LEVER, METERING	1				
24	~~~	(1) VALVE, INLET NEEDLE	1				
25	~~~	(1) SPRING, METERING LEVER	1				
26	~~~	(1) NOZZLE ASS'Y CK. VALVE	1				
27	~~~	(1) PLUG, WELCH	1				
28	~~~	RETAINER, CHECK VALVE	1				
29	~~~	VALVE, CHECK	1				
30	~~~						
31	323603	LIMITER CAP, HIGH	1		C		
32	323604	LIMITER CAP, LOW	1		C		

(1) (2) Indicates the part is included in a kit or assembly and is not available individually. Q=Quan. used
 C=Interchangeability S=Stocking code: A=Fast moving B=Med. fast move C=Med. move D=slow move E=N.L.A.
 F=Superseded or replaced by a new part.

Free Manuals Download Website

<http://myh66.com>

<http://usermanuals.us>

<http://www.somanuals.com>

<http://www.4manuals.cc>

<http://www.manual-lib.com>

<http://www.404manual.com>

<http://www.luxmanual.com>

<http://aubethermostatmanual.com>

Golf course search by state

<http://golfingnear.com>

Email search by domain

<http://emailbydomain.com>

Auto manuals search

<http://auto.somanuals.com>

TV manuals search

<http://tv.somanuals.com>