

# **SPARE PARTS CATALOGUE**

## **BRUSH CUTTER**

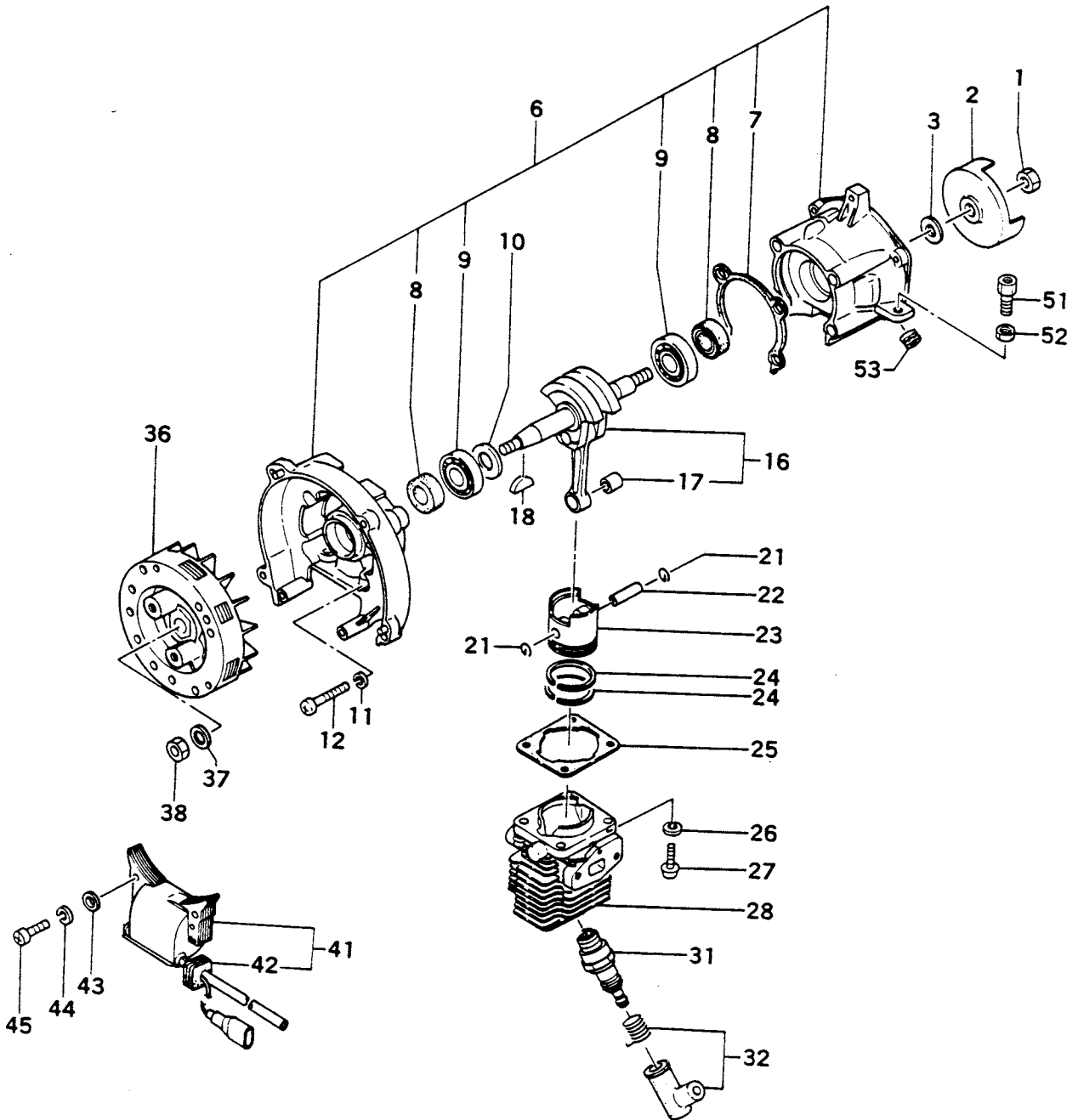
MODEL

**ST-1600**



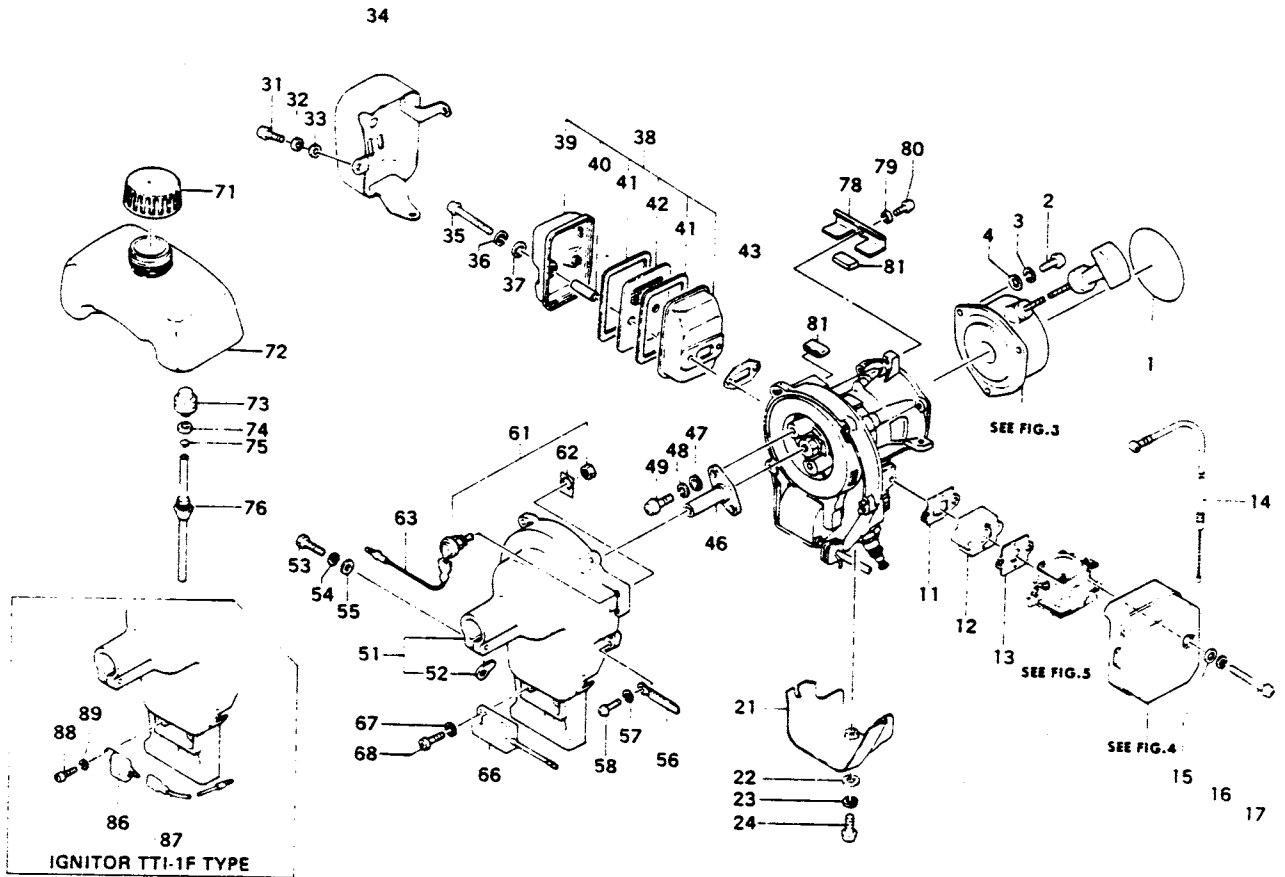
6C10 **(US)**

# FIG.1 ENGINE



REF. NBR	PART NBR	PART NAME	QTY	SERIAL NBR	REMARKS
<b>FIG.1 ENGINE</b>					
1-001	991-16080-003	NUT 8/L.H THREAD	1		
1-002	798-06094-200	STARTER PULLEY	1		
1-003	359-10112-203	CLUTCH WASHER B	1		
1-006	072-06020-900	CRANK CASE ASS'Y	1		
1-007	090-06000-202	CRANK CASE GASKET	1		
1-008	999-66122-266	OIL SEAL 12227	2		
1-009	999-61600-100	BALL BEARING #6001	2		
1-010	330-00200-210	GEAR SHAFT SHIM 0.10	V		
1-010	330-00200-220	GEAR SHAFT SHIM 0.15	V		
1-010	330-00200-230	GEAR SHAFT SHIM 0.20	V		
1-010	330-00200-240	GEAR SHAFT SHIM 0.30	V		
1-011	992-10050-012	S.WASHER 5	4		
1-012	990-11050-301	SCREW 5X30	4		
1-016	046-0605A-810	CRANK SHAFT COMP.	1		
1-017	999-62071-127	NEEDLE BEARING F-79	1		
1-018	068-10100-200	WOOD-RUFF KEY 3X13X4.5	1		
1-021	039-08100-200	CIR CLIP	2		
1-022	037-08100-200	PISTON PIN	1		
1-023	031-0622U-200	PISTON	1		
1-024	041-06100-200	PISTON RING	2		
1-025	017-06100-200	CYLINDER GASKET	1		
1-026	992-10050-012	S.WASHER 5	4		
1-027	990-11050-161	SCREW 5X16	4		
1-028	002-0602K-801	CYLINDER COMP.	1		
1-031	018-00502-200	SPARK PLUG BH6A	1		
1-032	157-04000-900	SPARK PLUG CAP ASS'Y	1		
1-036	155-21702-800	MAGNETO ROTOR COMP.	1		
1-037	065-00000-200	FLYWHEEL WASHER	1		
1-038	327-00201-200	NUT 7/L.H THREAD	1		
1-041	167-20745-801	IGNITION COIL COMP.	1		
1-042	203-10000-200	PRIMARY CORD GROMMET	1		
1-043	992-00040-011	SMALL WASHER 4	2		
1-044	992-10040-012	S.WASHER 4	2		
1-045	990-11040-181	SCREW 4X18	2		
1-051	894-01401-201	OUTER RECEIVER	1		
1-052	991-01060-013	NUT 6	1		
1-053	203-06000-200	PRIMARY CORD GROMMET	1		

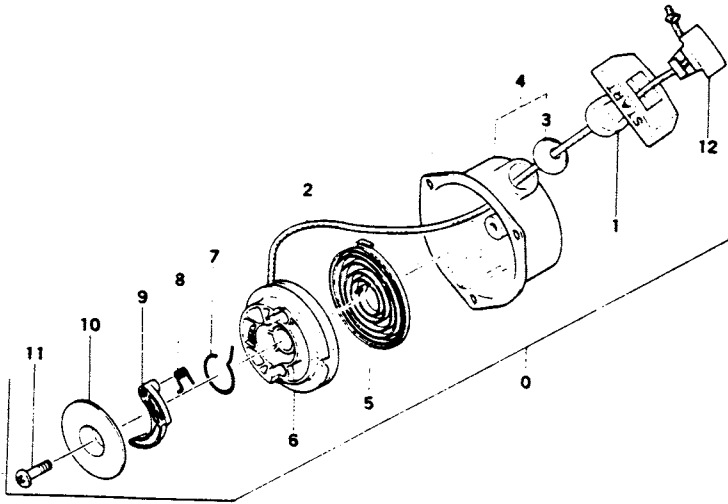
# FIG.2 ENGINE COMPONENTS



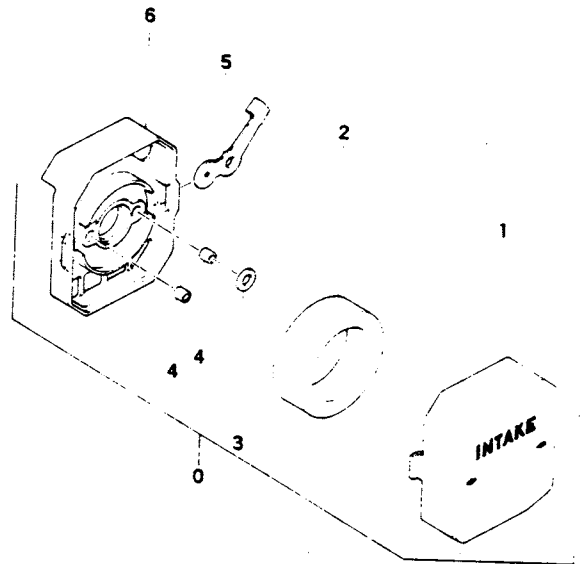
REF. NBR	PART NBR	PART NAME	QTY	SERIAL NBR	REMARKS
<b>FIG.2 ENGINE COMPONENTS</b>					
2-001	906-0622U-200	NAME PLATE	1		
2-002	990-11050-141	SCREW 5X14	3		
2-003	992-10050-012	S. WASHER 5	3		
2-004	992-00050-011	SMALL WASHER 5	3		
2-011	403-06020-200	INLET MANIFOLD GASKET	1		
2-012	404-06020-202	INSULATOR	1		
2-013	402-06020-200	CARBURETOR GASKET	1		
2-014	885-0602R-800	THROTTLE WIRE COMP.	1		
2-015	992-00050-011	SMALL WASHER 5	2		
2-016	992-10050-012	S. WASHER 5	2		
2-017	990-11050-701	SCREW 5X70	2		
2-021	016-06000-800	CYLINDER SHROUD COMP.	1		
2-022	992-00050-011	SMALL WASHER 5	1		
2-023	992-10050-012	S. WASHER 5	1		
2-024	990-11050-161	SCREW 5X16	1		
2-031	990-11040-101	SCREW 4X10	2		
2-032	992-10040-012	S. WASHER 4	2		
2-033	992-00040-011	SMALL WASHER 4	2		

REF. NBR	PART NBR	PART NAME	QTY	SERIAL NBR	REMARKS
2-034	738-06000-801	MUFFLER PROTECTOR COMP.	1		
2-035	990-11050-451	SCREW 5X45	2		
2-036	992-10050-012	S.WASHER 5	2		
2-037	992-00050-011	SMALL WASHER 5	2		
2-038	706-0602B-900	MUFFLER ASS'Y W/ARRESTER	1		
2-039	717-0602B-200	MUFFLER BODY B	1		
2-040	740-0602B-201	MUFFLER COLLAR	2		
2-041	739-0602B-200	MUFFLER COUPLING GASKET	2		
2-042	722-0602B-800	MUFFLER PARTITIVE PLATE COMP.	1		
2-043	737-06100-200	MUFFLER GASKET	1		
2-046	318-0622U-800	ADAPTOR COMP.	1		
2-047	992-01060-011	WASHER 6	2		
2-048	992-10060-012	S.WASHER 6	2		
2-049	990-11060-181	SCREW 6X18	2		
2-051	112-0622U-900	FAN CASE ASS'Y	1		
2-052	324-33900-200	GEAR CASE WASHER	1		
2-053	990-23050-206	H.T. BOLT 5X20	1		
2-054	992-10050-012	S.WASHER 5	1		
2-055	992-00050-011	SMALL WASHER 5	1		
2-056	198-01046-900	CORD CLAMP ASS'Y	1		
2-057	992-10050-012	S.WASHER 5	4		
2-058	990-11050-161	SCREW 5X16	4		
2-061	162-01300-900	STOP SWITCH ASS'Y	1		
2-062	183-01300-200	SWITCH NAME PLATE	1		
2-063	178-0622U-800	STOP CORD COMP.	1		
2-066	159-21401-871	IGNITOR TTI-1E	1		
2-067	992-10040-012	S.WASHER 4	2		
2-068	990-11040-161	SCREW 4X16	2		
2-071	595-0062A-901	TANK CAP ASS'Y	1		
2-072	591-0622U-200	TANK	1		
2-073	675-06020-900	PUMP FILTER BODY ASS'Y	1		
2-074	992-01050-011	WASHER 5	1		
2-075	680-00731-201	CLIP	1		
2-076	223-0622U-900	FUEL PIPE ASS'Y	1		
2-078	653-06000-200	FUEL TANK BRACKET	1		
2-079	992-10050-012	S.WASHER 5	1		
2-080	990-11050-121	SCREW 5X12	1		
2-081	655-06100-200	FUEL TANK CUSHION RUBBER	4		
2-086	159-21401-872	TRANSISTER BREAKER COMP.	1		
2-087	173-01620-800	PRIMARY CORD COMP.	1		
2-088	990-11040-081	SCREW 4X8	1		
2-089	992-10040-012	S.WASHER 4	1		

# FIG.3 RECOIL STARTER

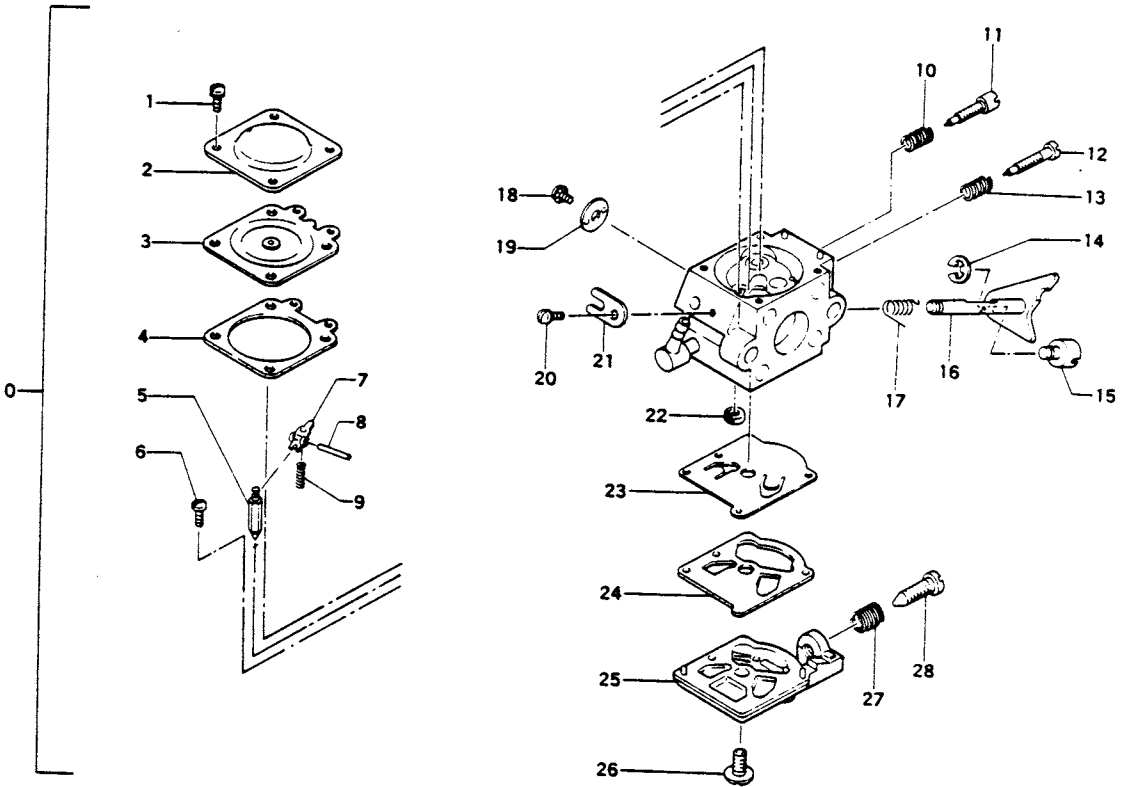


# FIG.4 AIR CLEANER



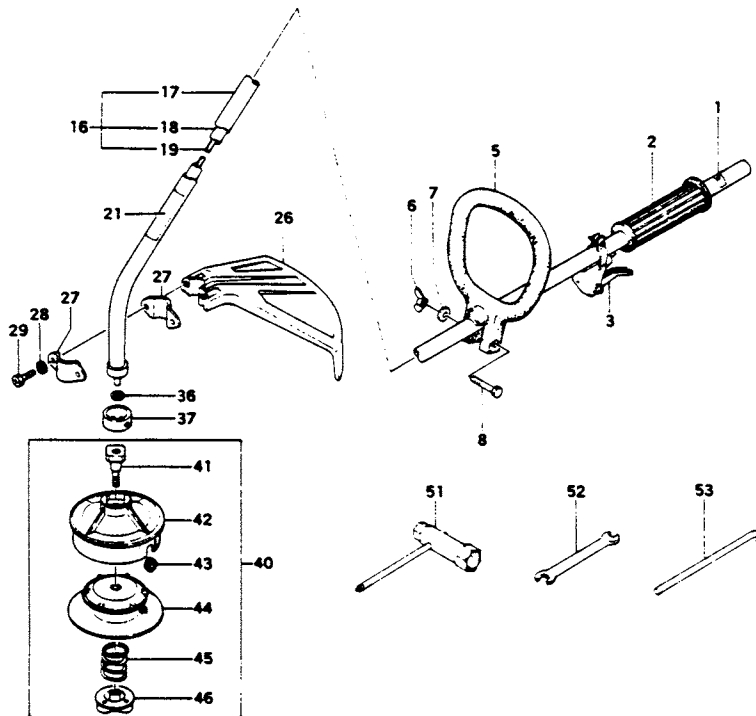
REF. NBR	PART NBR	PART NAME	QTY	SERIAL NBR	REMARKS
<b>FIG.3 RECOIL STARTER</b>					
3-000	762-0602K-901	RECOIL STARTER BODY ASS'Y	1		
3-001	785-06097-200	STARTER HANDLE	1		
3-002	783-06092-200	ROPE 3.5X890L	1		
3-003	782-0602K-200	ROPE GUIDE	1		
3-004	772-0601R-800	RECOIL STARTER BODY COMP.	1		
3-005	779-01250-200	RECOIL SPRING	1		
3-006	769-06092-200	STARTER ROPE REEL	1		
3-007	836-06092-200	FRICTION SPRING	1		
3-008	832-06092-200	RETURN SPRING	1		
3-009	788-06092-200	STARTER PAWL	1		
3-010	837-06092-200	FRICTION PLATE	1		
3-011	990-15050-126	SCREW 5X12	1		
3-012	795-0602K-200	STARTER HANDLE CAP	1		
<b>FIG.4 AIR CLEANER</b>					
4-000	410-0602D-901	AIR CLEANER ASS'Y	1		
4-001	424-0602K-201	AIR CLEANER CAP	1		
4-002	446-0602K-200	CLEANER ELEMENT	1		
4-003	453-0602K-200	SPACER	1		
4-004	470-0602K-200	COLLAR	1		
4-005	528-0602D-200	CHOKE PLATE, W/2MM HOLE	2		
4-006	423-0602K-210	CLEANER BODY	1		

# FIG.5 CARBURETOR



REF. NBR	PART NBR	PART NAME	QTY	SERIAL NBR	REMARKS
<b>FIG.5 CARBURETOR</b>					
5-000	455-25034-900	CARBURETOR ASS'Y	1		
5-001	548-25012-200	SET SCREW	4		
5-002	478-25004-200	DIAPHRAGM COVER	1		
5-003	474-25001-800	METERING DIAPHRAGM COMP.	1		
5-004	475-25001-200	DIAPHRAGM GASKET	1		
5-005	603-25001-200	NEEDLE VALVE	1		
5-006	548-25001-200	HINGE PIN SET SCREW	1		
5-007	473-25001-200	VALVE HINGE	1		
5-008	605-25001-200	HINGE PIN	1		
5-009	477-25003-200	VALVE SPRING	1		
5-010	623-25001-200	HIGH/LOW ADJUST SPRING	1		
5-011	481-25034-200	LOW ADJUST SCREW	1		
5-012	480-25008-200	HIGH ADJUST SCREW	1		
5-013	485-25003-200	HIGH ADJUST SPRING	1		
5-014	489-25008-200	STOP RING	1		
5-015	539-25008-200	SWIVEL	1		
5-016	464-25008-800	THROTTLE SHAFT COMP.	1		
5-017	486-25009-200	THROTTLE SPRING	1		
5-018	467-25003-200	SHUTTER SCREW	1		
5-019	488-25008-200	THROTTLE VALVE	1		
5-020	548-25012-200	SET SCREW	1		
5-021	557-25006-200	THROTTLE SHAFT CLIP	1		
5-022	578-25007-200	INLET SCREEN	1		
5-023	576-25008-200	PUMP DIAPHRAGM	1		
5-024	577-25006-200	PUMP GASKET	1		
5-025	575-25006-200	PUMP BODY	1		
5-026	514-25001-200	SET SCREW	1		
5-027	463-25006-200	IDLE ADJUST SPRING	1		
5-028	482-25006-200	IDLE ADJUST SCREW	1		

# FIG.6 DRIVE SHAFT & HANDLE TOOLS & OPTIONAL PARTS



REF. NBR	PART NBR	PART NAME	QTY	SERIAL NBR	REMARKS
<b>FIG.6 DRIVE SHAFT &amp; HANDLE</b>					
6-001	923-33700-200	LEVEL MARK	1		
6-002	504-33700-201	SHAFT GRIP	1		
6-003	870-33703-900	THROTTLE LEVER ASS'Y	1		
6-005	500-33700-203	HANDLE	1		
6-006	991-61060-011	WING NUT 6	1		
6-007	359-02103-200	CLUTCH WASHER B	1		
6-008	990-21060-501	BOLT 6X50	1		
6-016	341-33005-910	DRIVE SHAFT PIPE ASS'Y	1		
6-017	341-33005-810	DRIVE SHAFT PIPE COMP.	1		
6-018	350-33005-800	FLEXIBLE LINER COMP.	1		
6-019	344-33005-211	FLEXIBLE SHAFT	1		
6-021	929-33710-200	SYMBOL MARK	1		
6-026	441-33006-800	SAFETY GUARD	1		
6-027	442-33006-200	GUARD BRACKET	2		
6-028	992-10060-012	S. WASHER 6	2		
6-029	990-23060-151	BOLT 6X15 W/PLUS	2		
6-036	780-33005-200	SPECIAL WASHER	1		
6-037	370-33005-210	CUTTER CASE COVER	1		
6-040	NH -160	NYLON CUTTING H			
6-041	160-1	ADAPTOR			
6-042	160-2	BODY			
6-043	160-3	OUTLET			
6-044	160-4	REEL			
6-045	160-5	SPRING			
6-046	160-7	KNOB			
<b>TOOLS &amp; OPTIONAL PARTS</b>					
6-051	829-20000-800	COMBI. BOX SPANNER 13X19 ,PLUS	1		
6-052	801-20000-200	SPANNER 8X10	1		
6-053	752-33005-200	LOCK HANDLE	1		



## Free Manuals Download Website

<http://myh66.com>

<http://usermanuals.us>

<http://www.somanuals.com>

<http://www.4manuals.cc>

<http://www.manual-lib.com>

<http://www.404manual.com>

<http://www.luxmanual.com>

<http://aubethermostatmanual.com>

Golf course search by state

<http://golfingnear.com>

Email search by domain

<http://emailbydomain.com>

Auto manuals search

<http://auto.somanuals.com>

TV manuals search

<http://tv.somanuals.com>