

***Tanaka***

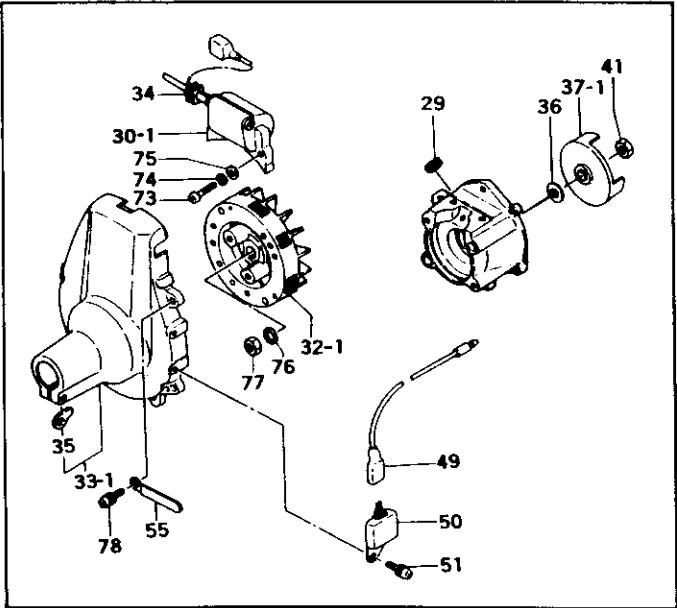
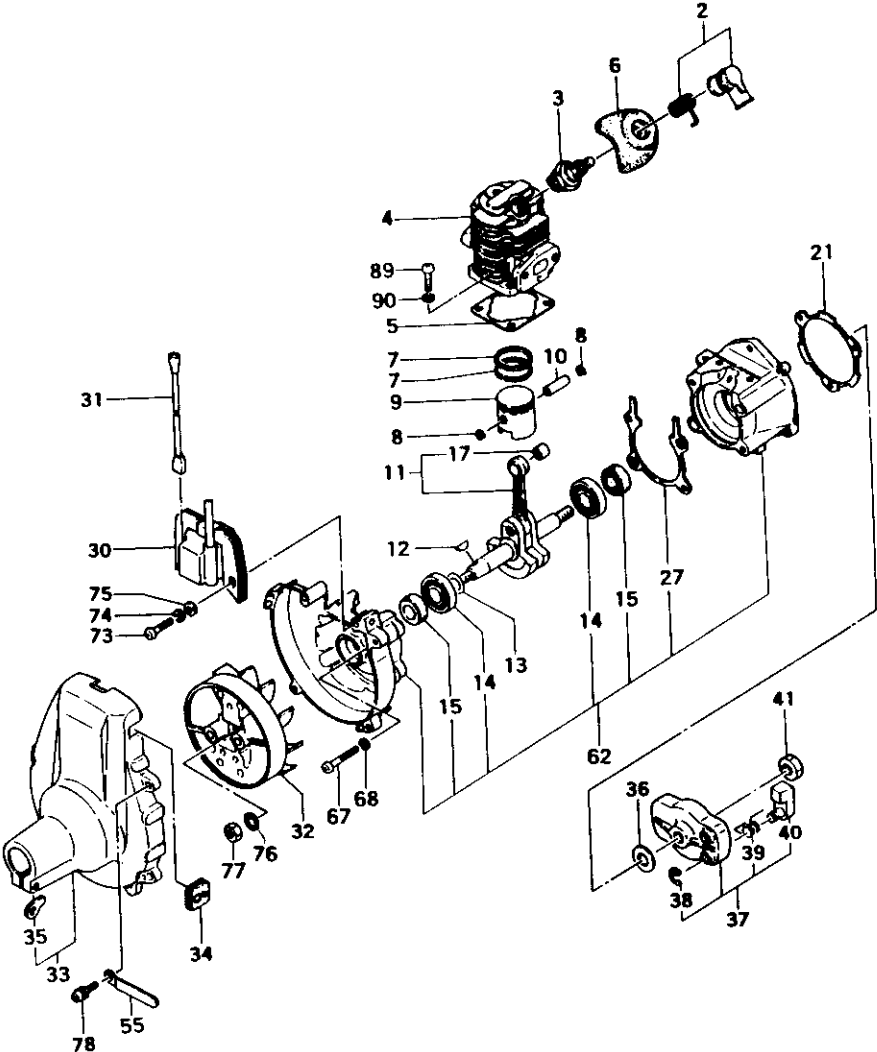
**Parts Catalog**

**Trimmer/Brushcutter**

**Model: TBC-210**

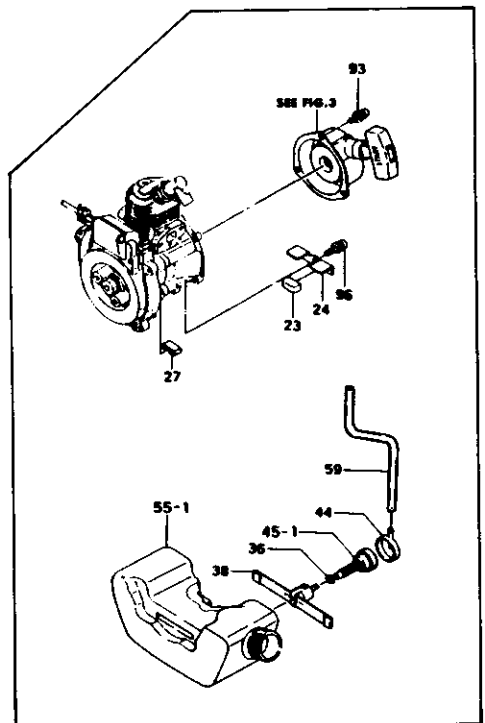
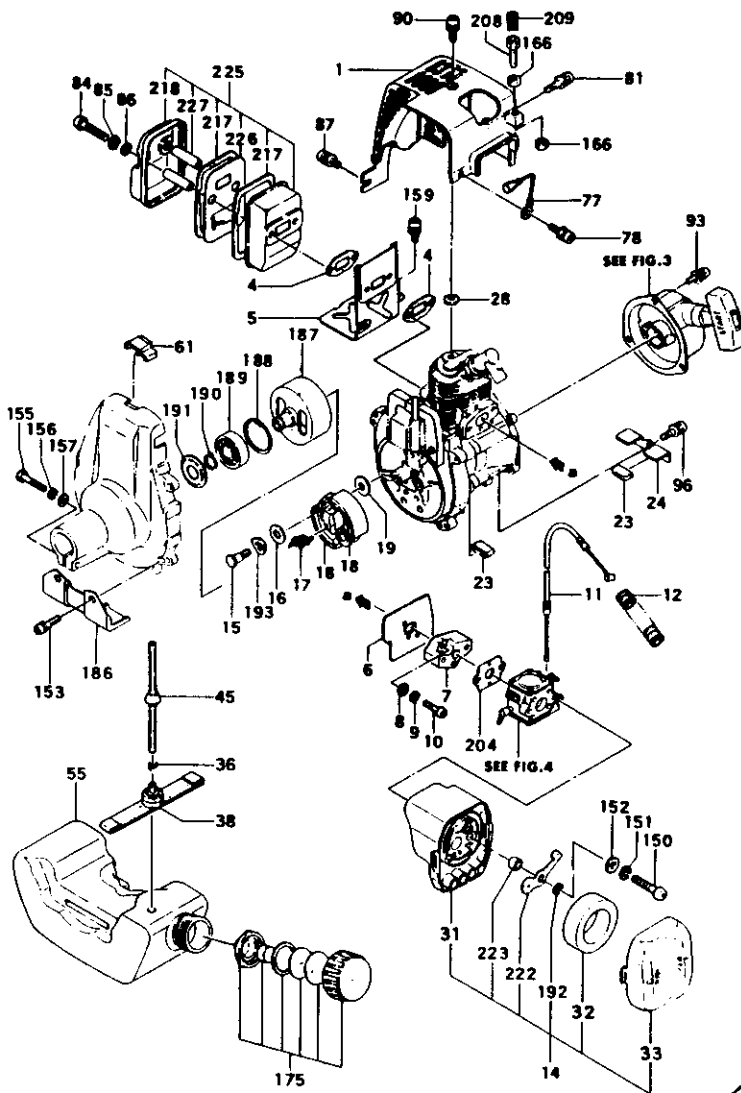
**Units Prior To Serial No. G 199639**

# FIG. 1 ENGINE



REF. NBR	PART NBR	PART NAME	QTY	SERIAL NBR	REMARKS
1-002	157-11668-900	SPARK PLUG CAP ASS'Y	1		
1-003	018-01805-200	SPARK PLUG CJ8	1		
1-004	002-0609A-200	CYLINDER	1		
1-005	017-06091-201	CYLINDER GASKET	1		
1-006	255-0630G-210	SPARK PLUG RUBBER COVER	1		
1-007	041-00000-200	PISTON RING	2		
1-008	039-06100-200	CIR CLIP	2		
1-009	031-06097-201	PISTON	1	R -G001000	
1-009	031-06320-200	PISTON	1	G001001-	
1-010	037-06097-200	PISTON PIN	1		
1-011	046-06091-800	CRANK SHAFT COMP.	1	-G001000	
1-011	046-06091-801	CRANK SHAFT COMP.	1	N G001001-	
1-012	068-10100-200	WOOD-RUFF KEY 3X13X4.5	1		
1-013	330-00200-210	GEAR SHAFT SHIM 0.10	V		
1-013	330-00200-220	GEAR SHAFT SHIM 0.15	V		
1-013	330-00200-230	GEAR SHAFT SHIM 0.20	V		
1-013	330-00200-240	GEAR SHAFT SHIM 0.30	V		
1-014	999-81600-100	BALL BEARING #6001. 28MM/OD	2		
1-015	999-86122-266	OIL SEAL 12227	2		
1-017	999-82071-127	NEEDLE BEARING F-79	1		
1-021	810-06091-200	RECOIL STARTER GASKET	1		
1-027	090-06000-202	CRANK CASE GASKET	1		
1-029	203-06000-200	PRIMARY CORD GROMMET	1	D G141091-	
1-030, 1	167-20757-801	IGNITION COIL COMP.	1	-G001000	
1-030	167-20508-800	IGNITION COIL COMP.	1	N G001001-	
1-031	178-06090-800	STOP CORD COMP.	1	N G001001-	
1-032, 1	155-21702-800	MAGNETO ROTOR COMP.	1	-G001000	
1-032	155-20511-800	MAGNETO ROTOR COMP.	1	N G001001-	
1-033, 1	112-0609A-900	FAN CASE ASS'Y	1	-G001000	
1-033	112-0609A-910	FAN CASE ASS'Y	1	N G001001-	
1-034	203-10000-200	PRIMARY CORD GROMMET	1	M	
1-034	203-0604A-202	GROMMET	1		
1-035	324-33410-201	GEAR CASE WASHER	1		
1-036	359-10112-203	CLUTCH WASHER B	1		
1-037, 1	798-06094-200	STARTER PULLEY	1	-G001000	
1-037	798-06320-900	STARTER PULLEY ASS'Y	1	N G001001-	
1-038	993-55005-000	STOP RING 5	1	N G001001-	
1-039	790-06320-200	STARTER PAWL SPRING	1	N G001001-	
1-040	788-0162V-200	STARTER PAWL	1	N G001001-	
1-041	991-16080-003	NUT 8 (L.H. THREAD)	1		
1-049	173-01620-800	IGNITOR LEAD WIRE COMP., R110M	1	D G001001-	
1-050	159-21401-872	IGNITOR COMP. TTI-1F	1	D G001001-	
1-051	994-14040-082	SCREW 4X8/S	1	D G001001-	
1-055	198-01046-200	CORD CLAMP	1	I -G001000	
1-055	198-05015-800	CORD CLAMP COMP.	1	G001001-	
1-062	072-06092-900	CRANK CASE ASS'Y	1	-G001000	
1-062	072-0609A-900	CRANK CASE ASS'Y	1	N G001001-	
1-067	990-11050-301	SCREW 5X30	4		
1-068	992-10050-012	S. WASHER 5	4		
1-073	990-11040-181	SCREW 4X18	2	-G001000	
1-073	990-11050-201	SCREW 5X20	2	M G001001-	
1-074	992-10040-012	S. WASHER 4	2	-G001000	
1-074	992-10050-012	S. WASHER 5	2	N G001001-	
1-075	992-00040-011	SMALL WASHER 4	2	-G001000	
1-075	992-00050-011	SMALL WASHER 5	2	N G001001-	
1-076	065-00000-200	FLYWHEEL WASHER	1		
1-077	327-00201-201	NUT 7 (L. H. THREAD)	1		
1-078	994-14050-162	SCREW 5X16/S	4		
1-089	990-11050-181	SCREW 5X18	4	-G001000	
1-089	990-11050-201	SCREW 5X20	4	N G001001-	
1-090	992-10050-012	S. WASHER 5	4		

# FIG.2 ENGINE COMPONENTS

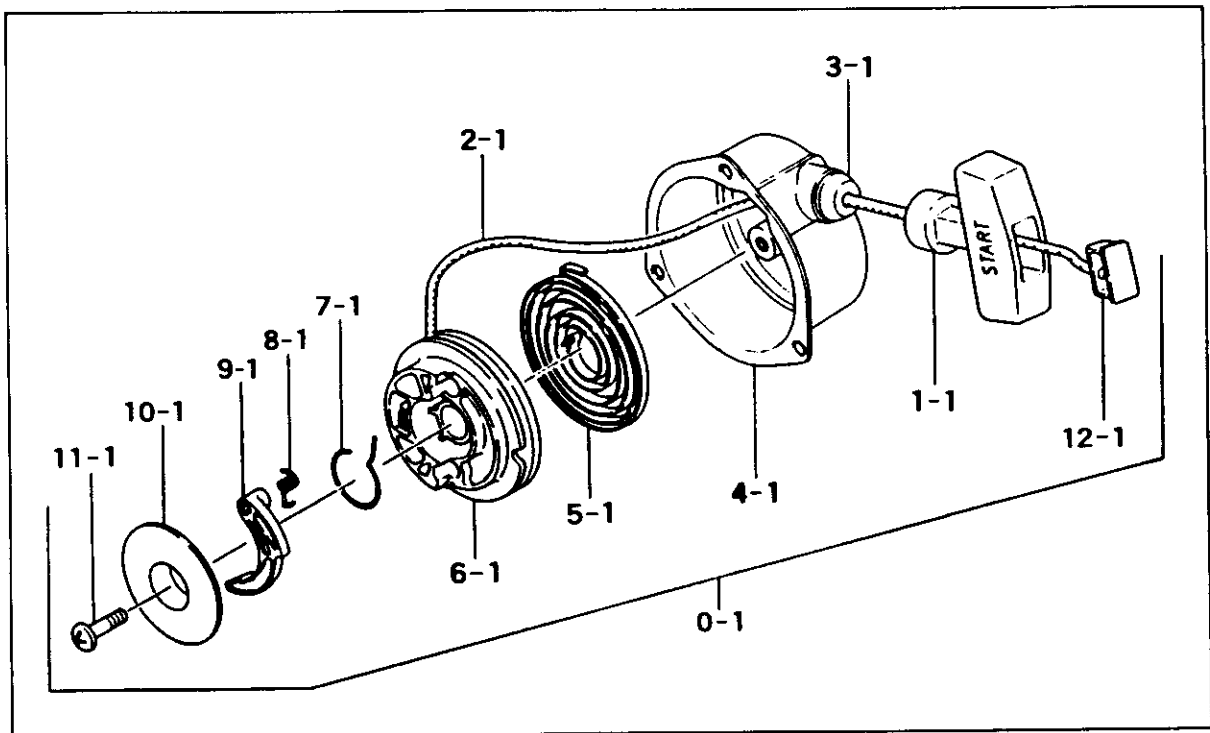
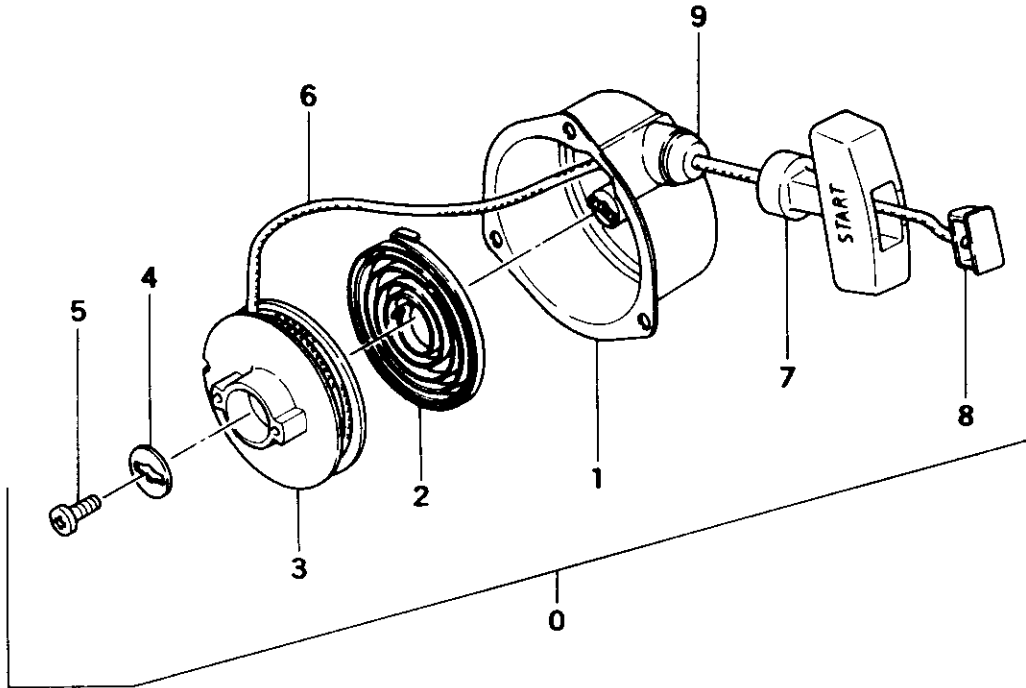


REF. NBR	PART NBR	PART NAME	QTY	UNIT	SERIAL NBR	REMARKS
2-001	738-0608C-200	MUFFLER PROTECTOR	1	R	-G001000	
2-001	738-0608C-201	MUFFLER PROTECTOR	1		G001001-	
2-004	737-06100-210	MUFFLER GASKET	2			
2-005	133-0604A-203	HEAT SHIELD	1			
2-006	403-0609A-200	INLET MANIFOLD GASKET	1			
2-007	404-0609A-200	CARBURETOR INSULATOR	1			
2-008	992-00050-012	WASHER 5	2			
2-009	992-10050-012	S.WASHER 5	2			
2-010	990-11050-222	SCREW 5X22	2			
2-011	885-0609A-800	THROTTLE WIRE COMP.	1			
2-012	164-10014-400	PROTECTION TUBE 10X144L	1	I	-F176279	
2-012	164-07016-500	PROTECTION TUBE 7X165L	1		F176280-	
2-014	410-0609A-900	CLEANER ASS'Y	1			
2-015	357-00601-200	STEP BOLT	2			
2-016	348-0602R-200	CLUTCH PLATE A	2			
2-017	342-0605A-201	CLUTCH SPRING	1			
2-018	290-00501-802	CLUTCH SHOE COMP.	2			
2-019	359-02103-200	CLUTCH WASHER B	2			
2-023	655-06100-200	FUEL TANK CUSHION RUBBER	2		-G001000	
2-023	655-06100-200	FUEL TANK CUSHION RUBBER	4		G001001-	
2-024	653-06000-200	FUEL TANK BRACKET	1			
2-027	655-01551-200	FUEL TANK CUSHION RUBBER B	2	D	G001001-	
2-028	102-01300-200	INSULATOR	1			
2-031	423-06092-204	CLEANER BODY	1			
2-032	446-0602V-200	CLEANER ELEMENT	1			
2-033	424-06092-202	CLEANER CAP	1			
2-036	680-04019-210	CLIP 7	1		-G001000	
2-036	680-00731-201	CLIP	1	N	G001001-	
2-038	675-0608A-900	PUMP FILTER BODY ASS'Y	1			
2-044	500-33202-205	RUBBER PIPE CAP	1	D	G001001-	
2-045, 1	678-00601-201	RUBBER PIPE	1		-G001000	
2-045	223-0162B-900	FUEL PIPE ASS'Y	1	N	G001001-	
2-055, 1	591-0608A-203	TANK	1		-G001000	
2-055	591-0609A-200	FUEL TANK	1	N	G001001-	
2-059	700-03005-130	FUEL PIPE 3X5X130	1	D	G001001-	
2-061	130-00610-202	FAN CASE PLUG	1			
2-077	178-0609A-800	STOP CORD COMP.	1			
2-078	994-15040-122	SCREW 4X12/PS	1			
2-081	994-15050-102	SCREW 5X10/PS	1			
2-084	990-11050-451	SCREW 5X45	2			
2-085	992-10050-012	S.WASHER 5	2			
2-086	992-01050-011	WASHER 5	2			
2-087	994-15050-122	SCREW 5X12/PS	1			
2-090	994-16050-122	SCREW 5X12/VS	1			
2-093	994-16050-162	SCREW 5X16/VS	3			
2-096	994-15050-142	SCREW 5X14/PS	1			
2-150	990-11050-502	SCREW 5X50	2			
2-151	992-10050-012	S.WASHER 5	2			
2-152	992-01050-011	WASHER 5	2			
2-153	994-14050-102	SCREW 5X10/S	2			
2-155	990-23050-206	H.T. BOLT 5X20	1			
2-156	992-10050-062	S.WASHER 5	1			
2-157	992-00050-061	SMALL WASHER 5	1			
2-159	994-15040-122	SCREW 4X12/PS	1			
2-166	991-01060-013	NUT 6	2			
2-175	595-0062A-901	TANK CAP ASS'Y	1			
2-186	941-06092-200	STAND	1			
2-187	289-06020-801	CLUTCH SHAFT COMP.	1			
2-188	993-51032-002	STOP RING C-32 IN	1			
2-189	999-61620-101	BALL BEARING #6201ZZ, 32MM/OD	1			
2-190	993-50012-002	STOP RING C-12 EX	1			
2-191	801-0604A-201	STEP WASHER	1			
2-192	992-04080-031	WAVE WASHER 8	1			

- To be cont'd -

REF. NBR	PART NBR	PART NAME	QTY	SERIAL NBR	REMARKS
2-193	992-05080-030	BEND WASHER 8	2		
2-204	402-06020-200	CARBURETOR GASKET	1		
2-208	894-01226-200	THROTTLE WIRE ADJUSTER	1		
2-209	892-06092-200	TOP SPRING	1		
2-217	739-0602B-200	MUFFLER COUPLING GASKET	2		
2-218	717-0608A-200	MUFFLER BODY B	1		
2-222	528-0602V-202	CHOKE VALVE	1		
2-223	470-0602N-200	CLEANER COLLAR	2		
2-225	706-0608A-910	MUFFLER ASS'Y	1		
2-226	722-0608A-800	MUFFLER PARTITION PLATE COMP.	1		
2-227	740-0602B-201	MUFFLER COLLAR	2		

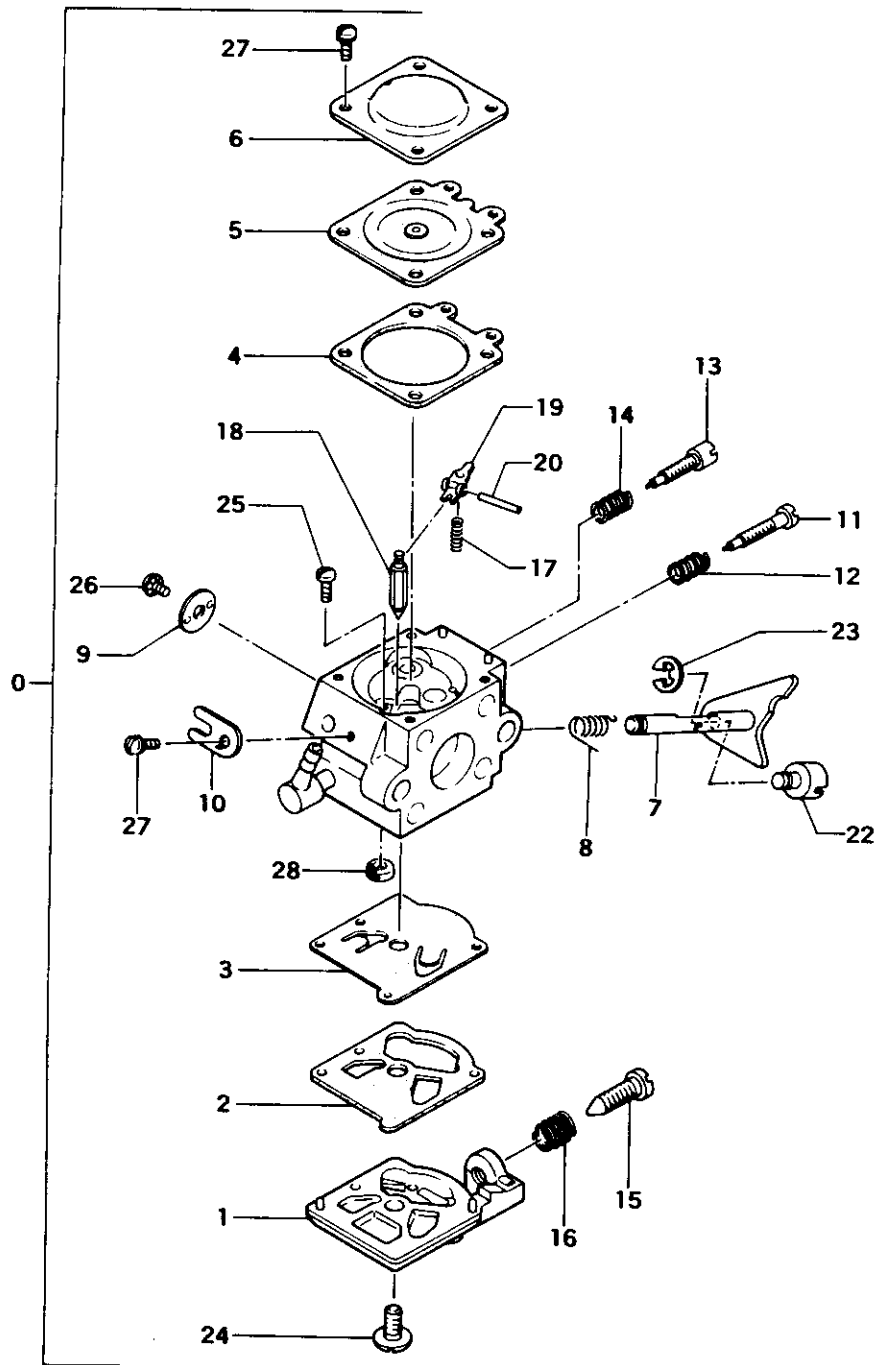
# FIG.3 RECOIL STARTER



REF. NBR	PART NBR	PART NAME	QTY	SERIAL NBR	REMARKS
3-000.1	762-06092-901	RECOIL STARTER BODY ASS'Y	1	-G001000	
3-000	762-0609A-900	RECOIL STARTER BODY ASS'Y	1	G001001-	
3-001.1	785-06097-200	STARTER HANDLE	1		
3-002.1	783-06092-200	ROPE 3.5X890L	1		
3-003.1	782-06097-200	ROPE GUIDE	1		
3-004.1	772-06092-200	RECOIL STARTER BODY	1		
3-005.1	779-01250-200	RECOIL SPRING	1		
3-006.1	769-06092-200	STARTER ROPE REEL	1		
3-007.1	836-06092-200	FRICTION SPRING	1		
3-008.1	832-06092-200	RETURN SPRING	1		
3-009.1	788-06092-200	STARTER PAWL	1		
3-010.1	837-06092-200	FRICTION PLATE	1		
3-011.1	990-15050-121	SCREW 5X12	1		
3-012.1	795-0602K-200	STARTER HANDLE CAP	1		
3-001	772-06092-200	RECOIL STARTER BODY	1		
3-002	779-0136U-200	RECOIL SPRING	1		
3-003	774-0162V-200	STARTER ROPE REEL	1		
3-004	801-0162V-200	ROPE REEL WASHER	1		
3-005	990-15050-126	SCREW 5X12	1		
3-006	783-06092-200	ROPE 3.5X890L	1		
3-007	785-06097-200	STARTER HANDLE	1		
3-008	795-0602K-200	STARTER HANDLE CAP	1		
3-009	782-06097-200	ROPE GUIDE	1		

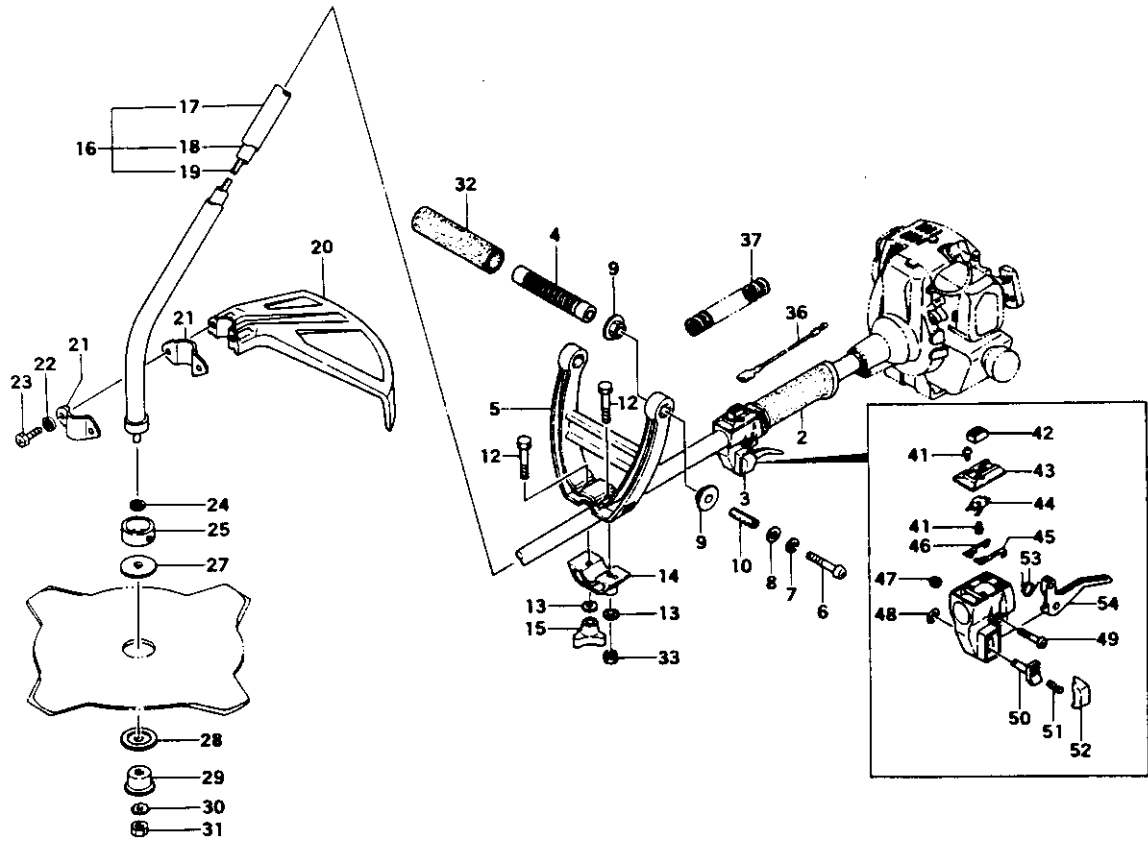


# FIG.4 CARBURETOR



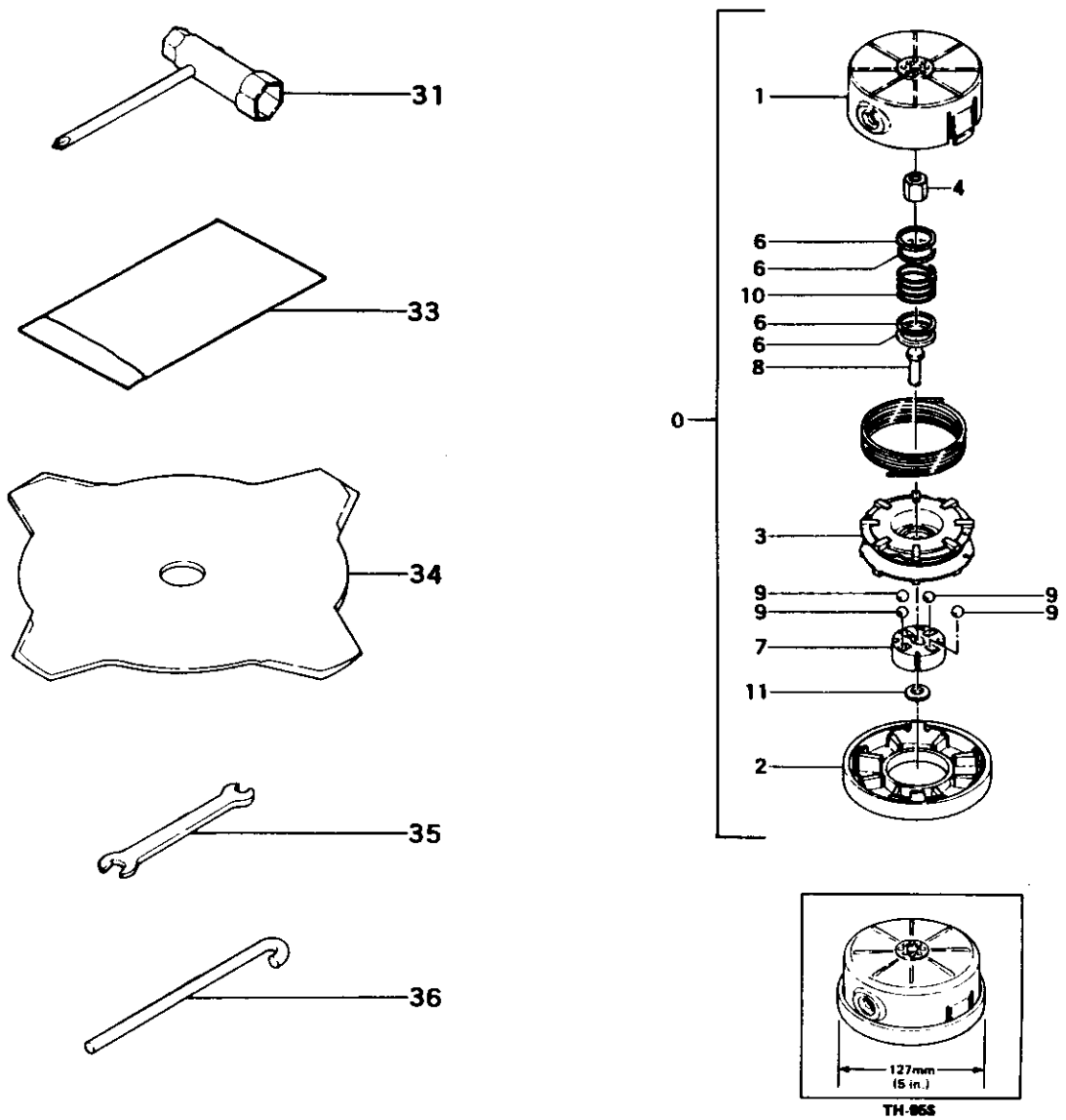
REF. NBR	PART NBR	PART NAME	QTY	SERIAL NBR	REMARKS
4-000	455-25039-900	CARBURETOR ASS'Y WA-195A	1		
4-001	575-25013-200	PUMP BODY	1		
4-002	577-25007-200	PUMP GASKET	1		
4-003	576-25006-200	PUMP DIAPHRAGM	1		
4-004	475-25001-200	DIAPHRAGM GASKET	1		
4-005	474-25001-800	METERING DIAPHRAGM COMP.	1		
4-006	476-25004-200	DIAPHRAGM COVER	1		
4-007	464-25006-800	THROTTLE SHAFT COMP.	1		
4-008	486-25008-200	THROTTLE SPRING	1		
4-009	488-25006-200	THROTTLE VALVE	1	-G001000	
4-009	488-25039-200	THROTTLE VALVE	1	N G001001-	
4-010	557-25006-200	THROTTLE SHAFT CLIP	1		
4-011	460-25023-200	HIGH ADJUST SCREW	1		
4-012	485-25003-200	HIGH ADJUST SPRING	1		
4-013	461-25039-200	LOW ADJUST SCREW	1		
4-014	623-25001-200	HIGH/LOW ADJUST SPRING	1		
4-015	462-25006-200	IDLE ADJUST SCREW	1		
4-016	463-25006-200	IDLE ADJUST SPRING	1		
4-017	477-25013-200	VALVE SPRING	1		
4-018	603-25001-200	NEEDLE VALVE	1		
4-019	473-25001-200	VALVE HINGE	1		
4-020	605-25001-200	HINGE PIN	1		
4-022	539-25008-200	SWIVEL	1		
4-023	489-25008-200	STOP RING	1		
4-024	514-25001-200	SET SCREW	1		
4-025	546-25001-200	HINGE PIN SET SCREW	1		
4-026	467-25003-200	SHUTTER SCREW	1		
4-027	548-25012-200	SET SCREW	5		
4-028	578-25007-200	INLET SCREEN	1		

# FIG.5 DRIVE SHAFT & HANDLE



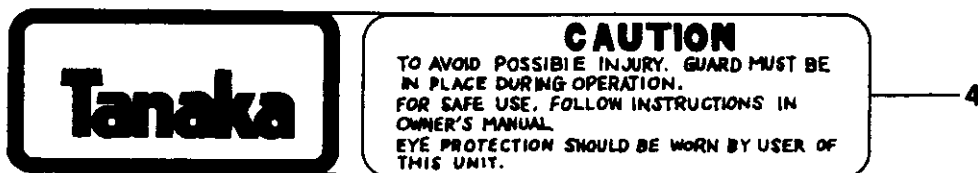
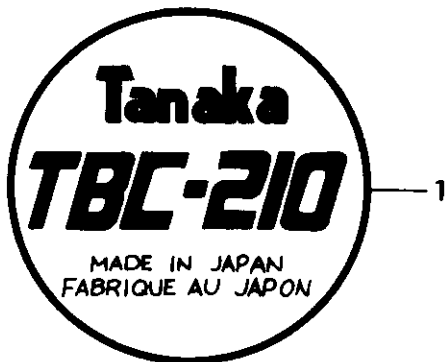
REF. NBR	PART NBR	PART NAME	QTY	SERIAL NBR	REMARKS
5-002	504-37400-200	SHAFT GRIP	1		
5-003	870-37400-900	THROTTLE LEVER ASS'Y	1		
5-004	490-37400-800	HANDLE INNER COMP.	1		
5-005	500-37400-200	HANDLE	1		
5-006	990-11060-554	SCREW 6X55	2		
5-007	992-10060-062	S.WASHER 6	2		
5-008	761-37400-200	WASHER A 2.3	2		
5-009	319-37400-200	CUSHION RUBBER	4		
5-010	513-37400-200	HANDLE HOLDER	2		
5-012	990-21060-504	HEX. BOLT 6X50	2		
5-013	359-02103-200	CLUTCH WASHER B	2		
5-014	506-37400-200	HANDLE BRACKET A	1		
5-015	512-33700-800	HANDLE KNOB COMP.	1		
5-016	341-37400-900	DRIVE SHAFT PIPE ASS'Y	1		
5-017	341-37400-800	DRIVE SHAFT PIPE COMP.	1		
5-018	350-37400-800	FLEXIBLE LINER COMP.	1		
5-019	344-37400-200	FLEXIBLE SHAFT	1		
5-020	441-37400-800	SAFETY GUARD COMP.	1		
5-021	442-37400-200	GUARD BRACKET	2		
5-022	992-10060-062	S.WASHER 6	2		
5-023	990-23060-154	HEX. BOLT 6X15 W/PLUS	2		
5-024	760-33005-200	SPECIAL WASHER	1		
5-025	370-37400-200	CUTTER CASE COVER	1		
5-027	310-33005-200	CUTTER HOLDER	1		
5-028	311-33005-200	CUTTER HOLDER CAP	1		
5-029	316-33005-200	BOLT PROTECTION COVER	1		
5-030	992-29080-000	TOOTHED LOCK WASHER 8 L/H	1		
5-031	991-06080-001	NUT 8/L.H.THREAD	1		
5-032	503-37400-200	HANDLE GRIP	1		
5-033	991-01060-041	HEX. NUT 6	1		
5-036	178-33005-800	STOP CORD COMP.	2		
5-037	164-10012-600	PROTECTION TUBE 10X126L	1		
5-041	993-42030-081	TAPPING SCREW 3X8	3		
5-042	162-37101-200	STOP SWITCH	1		
5-043	259-37101-200	STOP SWITCH BASE	1		
5-044	262-37101-200	STOP SWITCH SPRING	1		
5-045	177-37101-200	EARTH TERMINAL B	1		
5-046	176-37101-200	EARTH TERMINAL A	1		
5-047	991-86050-000	SELF-LOCK NUT 5	1		
5-048	993-55060-001	STOP RING 6	1		
5-049	994-31050-251	SCREW 5X25	1		
5-050	853-37101-200	LOCK BUTTON SHAFT	1		
5-051	958-37101-200	LOCK BUTTON SPRING	1		
5-052	956-37101-200	LOCK BUTTON	1		
5-053	832-37101-200	RETURN SPRING	1		
5-054	880-37101-200	THROTTLE ARM	1		

# FIG.6 TOOLS & NYLON HEAD



REF. NBR	PART NBR	PART NAME	QTY	SERIAL NBR	REMARKS
6-000	783-33004-902	NYLON HEAD ASS'Y (TH-95S)	1		
6-001	786-33004-801	CUTTING BODY COMP.	1		
6-002	789-33004-201	BODY CAP	1		
6-003	787-33004-202	CORD REEL	1		
6-004	315-33004-200	DRIVE NUT L/H GOLD	1		
6-006	792-33004-200	REEL WASHER	4		
6-007	790-33004-200	REEL SLIDER	1		
6-008	791-33004-200	REEL SLIDER HOOK	1		
6-009	673-35600-200	STEEL BALL 5/16"	4		
6-010	793-33972-200	REEL SPRING (ORANGE)	1		
6-011	358-02103-200	WASHER	1		
6-031	829-20000-800	COMBI. BOX SPANNER 13X19 ,PLUS	1		
6-033	948-39907-200	TOOL BAG	1		
6-034	802-33410-200	4 TOOTHED BLADE, 230	1	D G198864-	
6-035	801-20000-200	SPANNER 8X10	1		
6-036	752-33005-200	LOCK HANDLE	1		

**FIG.7 MARKS**



REF. NBR	PART NBR	PART NAME	QTY	SERIAL NBR	REMARKS
7-001	906-0609A-200	NAME PLATE	1		
7-002	929-0608A-201	SYMBOL MARK	1		
7-003	923-37400-200	LEVEL MARK	1		
7-004	929-33006-201	SYMBOL MARK	1		

## Free Manuals Download Website

<http://myh66.com>

<http://usermanuals.us>

<http://www.somanuals.com>

<http://www.4manuals.cc>

<http://www.manual-lib.com>

<http://www.404manual.com>

<http://www.luxmanual.com>

<http://aubethermostatmanual.com>

Golf course search by state

<http://golfingnear.com>

Email search by domain

<http://emailbydomain.com>

Auto manuals search

<http://auto.somanuals.com>

TV manuals search

<http://tv.somanuals.com>