

Tanaka

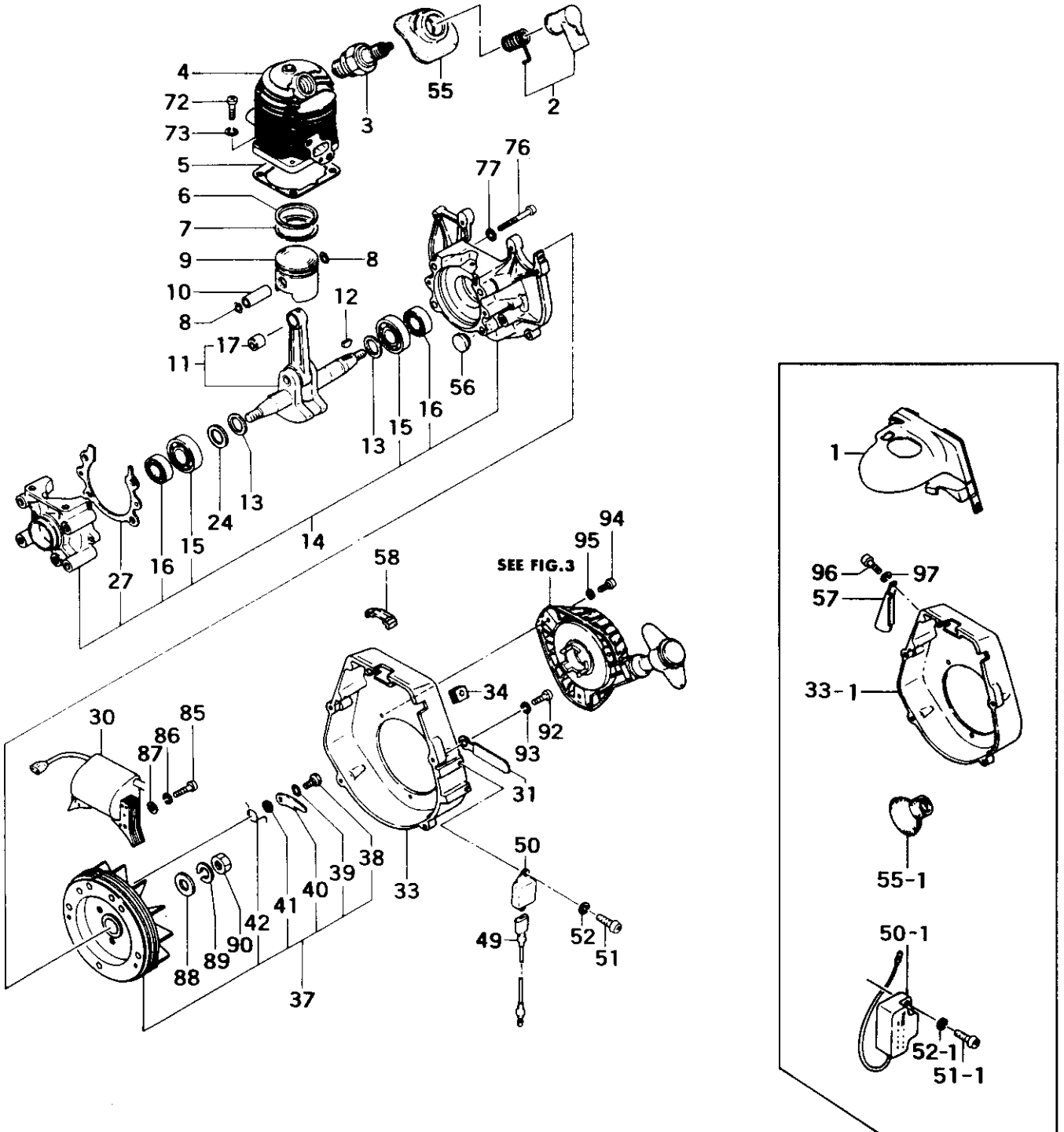
Parts Catalog

Brushcutter

Model: TBC-232

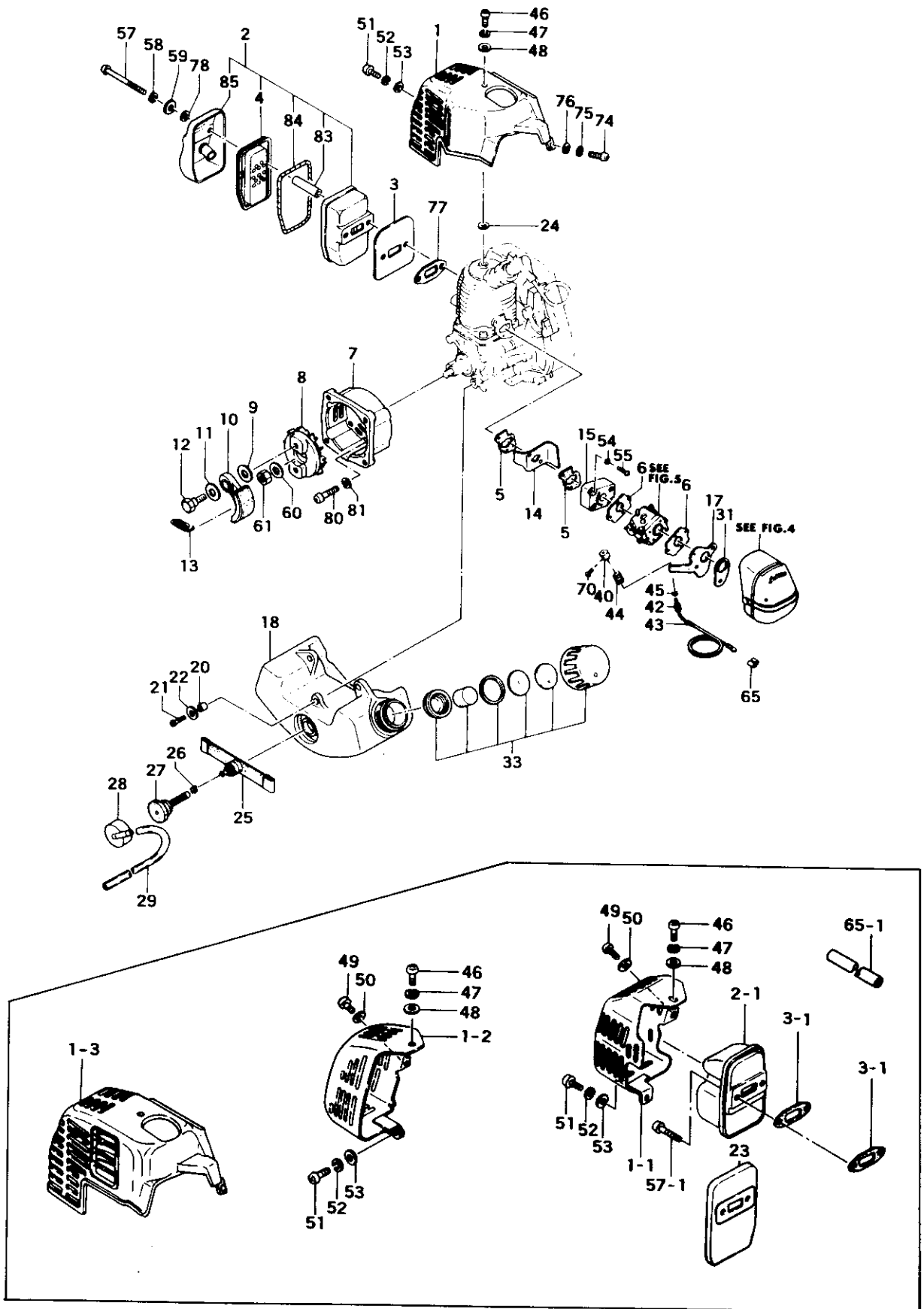
All Units Prior To Serial Number F 066200

FIG.1 ENGINE



REF. NBR	PART NBR	PART NAME	QTY	SERIAL NBR	REMARKS
1-001	016-00601-800	CYLINDER SHROUD COMP.	1	D B217733-	
1-002	157-04000-900	SPARK PLUG CAP ASS'Y	1		
1-003	018-00502-200	SPARK PLUG BM6A	1		
1-004	002-00600-800	CYLINDER COMP.	1	-A292224	
1-004	002-0062T-800	CYLINDER COMP.	1	P A292225-	
1-005	017-00601-203	CYLINDER GASKET	1		
1-006	040-00601-200	PISTON RING/TOP	1		
1-007	041-00601-200	PISTON RING	1		
1-008	039-00601-200	PISTON PIN CIRCLIP	2		
1-009	031-00601-202	PISTON	1		
1-010	037-00601-200	PISTON PIN	1		
1-011	046-00700-803	CRANK SHAFT COMP.	1		
1-012	068-10100-200	WOOD-RUFF KEY 3X13X4.5	1		
1-013	070-00601-201	CRANK SHAFT WASHER 12.2X18	2		
1-014	072-00601-900	CRANK CASE ASS'Y	1		
1-015	999-61600-100	BALL BEARING #6001, 28MM/OD	2		
1-016	999-66122-266	OIL SEAL 12227	2		
1-017	999-62081-225	NEEDLE BEARING F-810	1		
1-024	330-00200-210	GEAR SHAFT SHIM 0.10	V		
1-024	330-00200-220	GEAR SHAFT SHIM 0.15	V		
1-024	330-00200-230	GEAR SHAFT SHIM 0.20	V		
1-024	330-00200-240	GEAR SHAFT SHIM 0.30	V		
1-027	090-00601-205	CRANK CASE GASKET	1		
1-030	167-20738-800	IGNITION COIL COMP.	1	-C002860	
1-030	167-20763-800	IGNITION COIL COMP.	1	P C002861-	
1-031	198-00701-201	CORD CLAMP	1	R -A292224	
1-031	198-11600-800	CORD CLAMP COMP.	1	A292225-	
1-033, 1	112-00700-201	FAN CASE	1	-B227782	
1-033	112-00750-201	FAN CASE	1	N B227783-	
1-034	203-10000-200	PRIMARY CORD GROMMET	1	R -C002860	
1-034	203-0604A-202	GROMMET	1	C002861-	
1-037	155-21700-900	MAGNETO ROTOR ASS'Y	1		
1-038	793-10200-201	STEP BOLT	2		
1-039	822-00601-200	STARTER PAWL SHIM 0.6T	2		
1-040	788-00601-203	STARTER PAWL	2		
1-041	786-00601-200	STARTER PAWL WASHER	2		
1-042	790-00601-203	STARTER PAWL SPRING	2		
1-049	173-01620-800	IGNITOR LEAD WIRE COMP., R110M	1	N E177156-	
1-050, 1	159-21401-871	IGNITOR COMP. TTI-1E	1	-E177155	
1-050	159-21401-872	IGNITOR COMP. TTI-1F	1	N E177156-	
1-051, 1	990-11040-141	SCREW 4X14	2	-E177155	
1-051	990-11040-081	SCREW 4X8	1	N E177156-	
1-052, 1	992-10040-012	S. WASHER 4	2	-E177155	
1-052	992-10040-012	S. WASHER 4	1	E177156-	
1-055, 1	255-0062A-200	SPARK PLUG RUBBER COVER	1	R -E072390	
1-055	255-0608A-200	SPARK PLUG RUBBER COVER	1	E072391-	
1-056	599-00601-200	GROMMET	1		
1-057	132-00601-200	FLASH PAN	1	D B227783-	
1-058	130-00610-201	FAN CASE PLUG	1	R -C073105	
1-058	130-00610-202	FAN CASE PLUG	1	C073106-	
1-072	990-11050-161	SCREW 5X16	4		
1-073	992-10050-012	S. WASHER 5	4	N A292225-	
1-076	990-11050-251	SCREW 5X25	4		
1-077	992-10050-012	S. WASHER 5	4		
1-085	990-11040-181	SCREW 4X18	2		
1-086	992-10040-012	S. WASHER 4	2		
1-087	992-00040-011	SMALL WASHER 4	2		
1-088	065-00000-200	FLYWHEEL WASHER	1		
1-089	992-10070-012	S. WASHER 7	1		
1-090	066-00601-200	FLYWHEEL NUT	1		
1-092	990-11040-181	SCREW 4X18	4		
1-093	992-10040-012	S. WASHER 4	4		
1-094	990-11040-101	SCREW 4X10	3		
1-095	992-10040-012	S. WASHER 4	3		
1-096	990-11040-101	SCREW 4X10	1	D B227783-	
1-097	992-10040-012	S. WASHER 4	1	D B227783-	

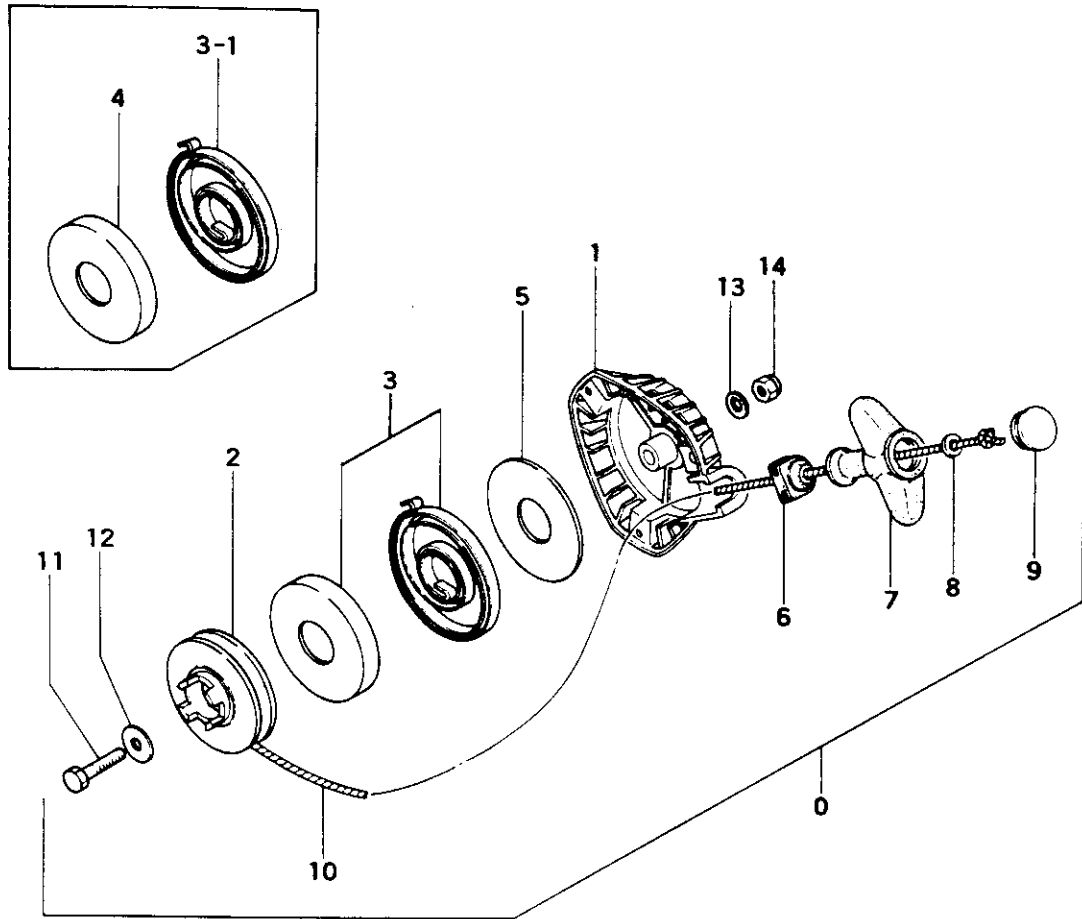
FIG.2 ENGINE COMPONENTS



REF. NBR	PART NBR	PART NAME	QTY	SERIAL NBR	REMARKS
2-001.1	738-00700-210	MUFFLER PROTECTOR	1	-A292224	
2-001.2	738-00752-200	MUFFLER PROTECTOR	1	N -B217732	
2-001.3	738-00768-200	MUFFLER PROTECTOR	1	N -C002100	
2-001.3	738-00768-200	MUFFLER PROTECTOR	1	R -C002100	
2-001.3	738-00768-201	MUFFLER PROTECTOR	1	R -C155400	
2-001.3	738-00768-210	MUFFLER PROTECTOR	1	R -E072390	
2-001	738-00768-220	MUFFLER PROTECTOR	1	E072391-	
2-002.1	706-00700-820	MUFFLER COMP.	1	-A292224	
2-002	705-00741-900	MUFFLER ASS'Y	1	N -B217732	
2-002	705-00741-900	MUFFLER ASS'Y	1	R -B217732	
2-002	705-00741-901	MUFFLER ASS'Y	1	R -B239787	
2-002	705-00741-902	MUFFLER ASS'Y	1	R -C002860	
2-002	705-00741-903	MUFFLER ASS'Y	1	C002861-	
2-003.1	737-00531-201	MUFFLER GASKET	2	-B217732	
2-003	737-00741-200	MUFFLER GASKET	1	N B217733-	
2-004	722-00741-800	MUFFLER PLATE COMP.	1	N A292225-	
2-004	722-00741-800	MUFFLER PLATE COMP.	1	R -B217732	
2-004	722-00763-800	MUFFLER PARTITIVE PLATE	1	R -C155400	
2-004	722-00763-810	MUFFLER PARTITIVE PLATE	1	M	
2-004	722-00741-801	MUFFLER PLATE COMP.	1	C155401-	
2-005	403-00601-202	INLET MANIFOLD GASKET	2		
2-006	402-00601-202	CARBURETOR GASKET	2		
2-007	333-0062N-200	CLUTCH CASE FIXING BASE	1	I -C155400	
2-007	333-0062N-201	CLUTCH CASE FIXING BASE	1	I -D216100	
2-007	333-0062N-202	CLUTCH CASE FIXING BASE	1	D216101-	
2-008	347-0061B-800	CLUTCH FLANGE	1	I -A292224	
2-008	347-0061B-801	CLUTCH FLANGE COMP.	1	A292225-	
2-009	359-02103-200	CLUTCH WASHER B	2		
2-010	290-00501-802	CLUTCH SHOE COMP.	2		
2-011	358-02103-200	WASHER	2		
2-012	357-00601-200	STEP BOLT	2		
2-013	342-00501-204	CLUTCH SPRING	1		
2-014	132-0062V-200	FLASH PAN	1	I -B217732	
2-014	132-0062V-201	FLASH PAN	1	B217733-	
2-015	404-0142A-801	CARBURETOR INSULATOR COMP.	1		
2-017	436-0062V-250	AIR CLEANER BASE	1	R -C073704	
2-017	436-0062V-251	AIR CLEANER BASE	1	C073705-	
2-018	591-00601-200	TANK	1	R -A292224	
2-018	591-00763-200	TANK	1	A292225-	
2-020	659-00801-200	COLLAR	3		
2-021	990-11050-161	SCREW 5X16	3		
2-022	992-01050-011	WASHER 5	3		
2-023	133-00610-201	HEAT SHIELD	1	-A292224	
2-023	133-00741-200	HEAT SHIELD	1	N A292225-	
2-023	133-00741-200	HEAT SHIELD	1	D B217733-	
2-024	102-01300-200	INSULATOR	1	N B217733-	
2-025	675-04001-900	PUMP FILTER BODY ASS'Y	1		
2-026	680-04019-210	CLIP 7	1		
2-027	678-00601-201	RUBBER PIPE	1		
2-028	500-33202-205	RUBBER PIPE CAP	1		
2-029	700-03005-190	FUEL PIPE 3X5X190	1		
2-031	431-00601-201	CLEANER GASKET	1		
2-033	595-0062A-910	TANK CAP ASS'Y, ORANGE	1	M	
2-033	595-0062A-901	TANK CAP ASS'Y	1		
2-040	228-0062V-201	METAL	1		
2-042	894-01401-201	OUTER RECEIVER	1		
2-043	885-0062M-820	THROTTLE WIRE COMP.	1	-A292224	
2-043	885-00741-810	THROTTLE WIRE COMP.	1	N A292225-	
2-044	688-11501-200	RETURN SPRING	1		
2-045	991-01060-013	NUT 6	1		
2-046	990-11050-141	SCREW 5X14	1		
2-047	992-10050-012	S.WASHER 5	1		
2-048	992-01050-011	WASHER 5	1		

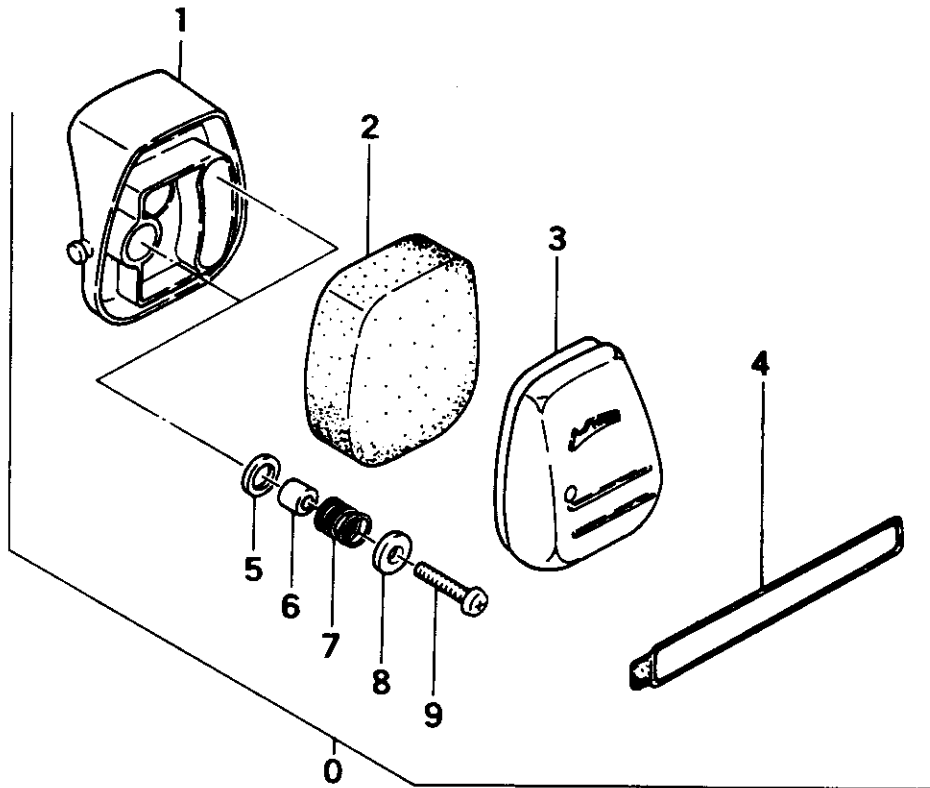
REF. NBR	PART NBR	PART NAME	QTY	SERIAL NBR	REMARKS
2-040	990-11040-101	SCREW 4X10	1 D	B217733-	
2-050	992-01040-011	WASHER 4	1 D	B217733-	
2-051	990-11040-121	SCREW 4X12	1 N	B217733-	
2-052	992-10040-012	S. WASHER 4	1 N	B217733-	
2-053	992-01040-011	WASHER 4	1 N	B217733-	
2-054	992-10050-012	S. WASHER 5	2		
2-055	990-11050-241	SCREW 5X24	2		
2-057, 1	990-70050-251	SCREW 5X25	2	-A292224	
2-057	990-11050-601	SCREW 5X60	2 N	A292225-	
2-058	992-10050-012	S. WASHER 5	2 N	A292225-	
2-059	992-01050-011	WASHER 5	2 N	A292225-	
2-060	065-00000-200	FLYWHEEL WASHER	1		
2-061	066-00000-200	FLYWHEEL NUT 12	1		
2-065, 1	264-0063R-210	STOP CORD PROTECT TUBE	1	-A292224	
2-065	778-36100-200	CORD CLAMP	1 N	A292225-	
2-070	990-11040-061	SCREW 4X6	1		
2-074	990-11040-121	SCREW 4X12	1		
2-075	992-10040-012	S. WASHER 4	1		
2-076	992-01040-011	WASHER 4	1		
2-077	737-00531-201	MUFFLER GASKET	1 N	B217733-	
2-078	751-0062W-200	MUFFLER S. GASKET	2 N	A292225-	
2-080	990-11050-161	SCREW 5X16	4		
2-081	992-10050-012	S. WASHER 5	4		
2-083	740-0062W-200	MUFFLER COLLAR	2 N	A292225-	
2-084	723-0062W-200	ASBESTOS THREAD	1 N	A292225-	
2-085	717-00741-800	MUFFLER BODY B COMP.	1 N	A292225-	
2-085	717-00741-800	MUFFLER BODY B COMP.	1 R	-C002860	
2-085	717-00741-801	MUFFLER BODY B COMP.	1	C002861-	

FIG.3 RECOIL STARTER



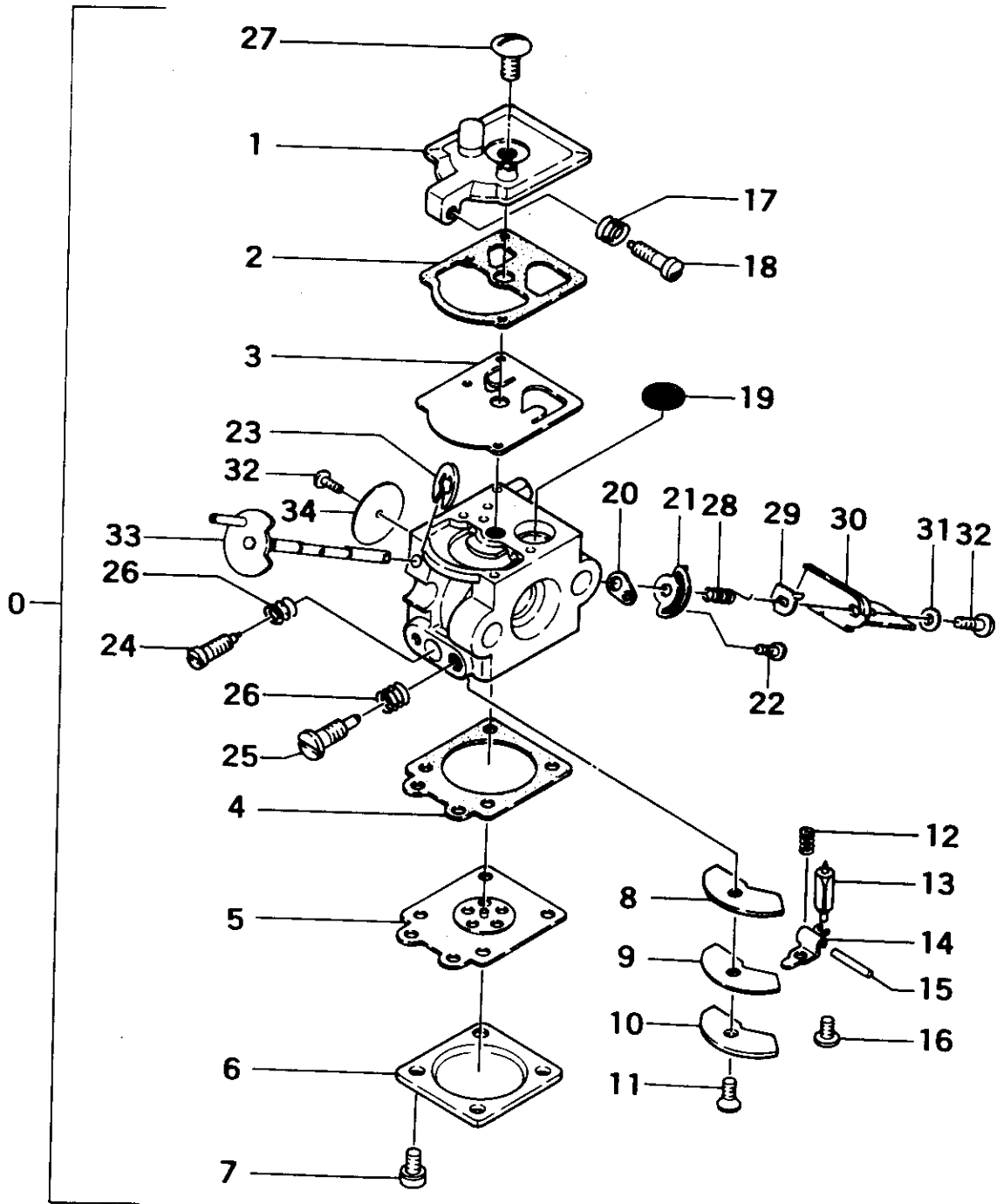
REF. NBR	PART NBR	PART NAME	QTY	SERIAL NBR	REMARKS
3-000	756-00601-912	RECOIL STARTER ASS'Y	1	R -B217732	
3-000	756-00601-920	RECOIL STARTER ASS'Y	1	B217733-	
3-001	772-00601-800	RECOIL STARTER BODY COMP.	1	R -B217732	
3-001	772-00601-820	RECOIL STARTER BODY COMP.	1	R -D060503	
3-001	772-00601-821	RECOIL STARTER BODY COMP.	1	D060504-	
3-002	774-00601-806	STARTER ROPE REEL COMP.	1		
3-003.1	779-00601-204	RECOIL SPRING	1	R -E258775	
3-003	778-00600-900	RECOIL SPRING CASE ASS'Y	1	E258776-	
3-004	778-0141Y-202	RECOIL SPRING CASE	1	D E258776-	
3-005	778-00601-201	RECOIL SPRING CASE COVER	1		
3-006	780-00601-201	ROPE GUIDE	1		
3-007	785-10207-201	STARTER HANDLE	1		
3-008	992-01040-011	WASHER 4	1		
3-009	833-10207-200	STARTER HANDLE CAP	1		
3-010	783-00601-202	STARTER ROPE 3.5X900	1	R -C002860	
3-010	783-00601-210	ROPE	1	C002861-	
3-011	990-21050-251	BOLT 5X25	1		
3-012	992-08050-006	SPECIAL WASHER 5	1		
3-013	992-20050-000	INNER TOOTHED WASHER 5	1		
3-014	991-43050-026	CAP NUT 5	1		

FIG.4 AIR CLEANER



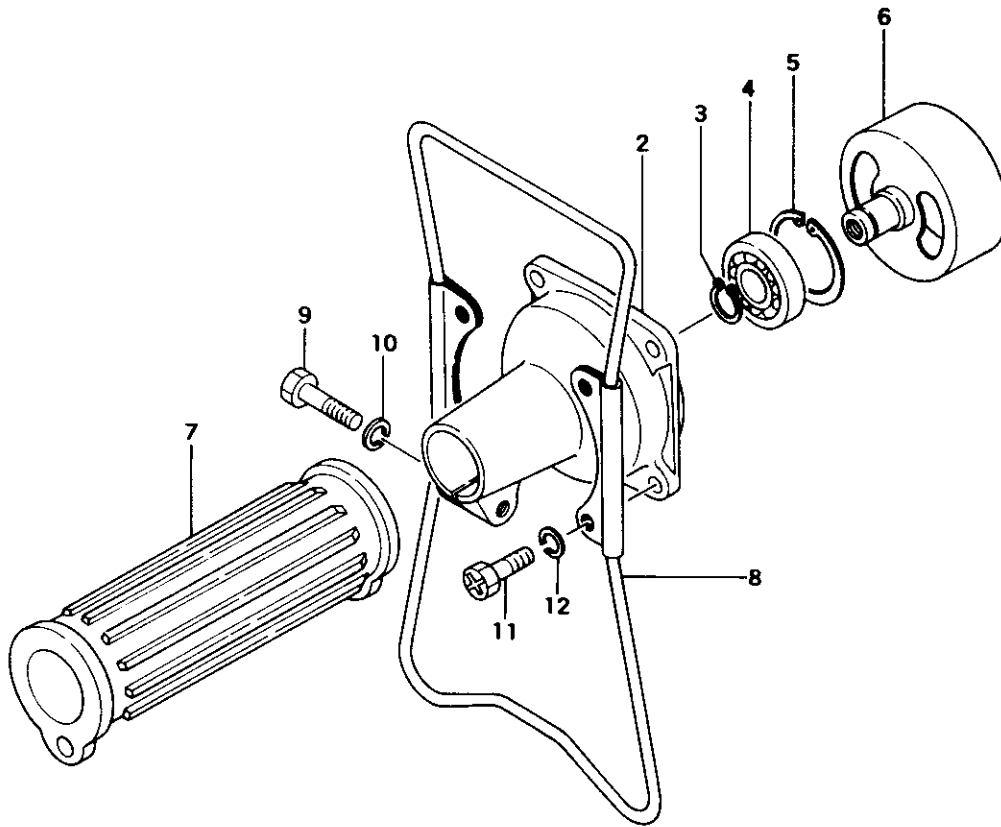
REF. NBR	PART NBR	PART NAME	QTY	SERIAL NBR	REMARKS
4-000	410-0062A-901	AIR CLEANER ASS'Y	1		
4-001	423-00601-203	AIR CLEANER BODY	1		
4-002	444-00801-201	CLEANER ELEMENT A	1		
4-003	424-00801-202	CLEANER COVER	1		
4-004	466-0062A-200	CLEANER BAND	1		
4-005	182-00601-200	SPECIAL WASHER/CLEANER	2		
4-006	454-00601-202	CLEANER FIXING METAL	2		
4-007	432-00601-200	CLEANER SPRING	2		
4-008	992-01050-011	WASHER 5	2		
4-009	990-11050-501	SCREW 5X50	2		
4-009	990-11050-551	SCREW 5X55	2		

FIG.5 CARBURETOR



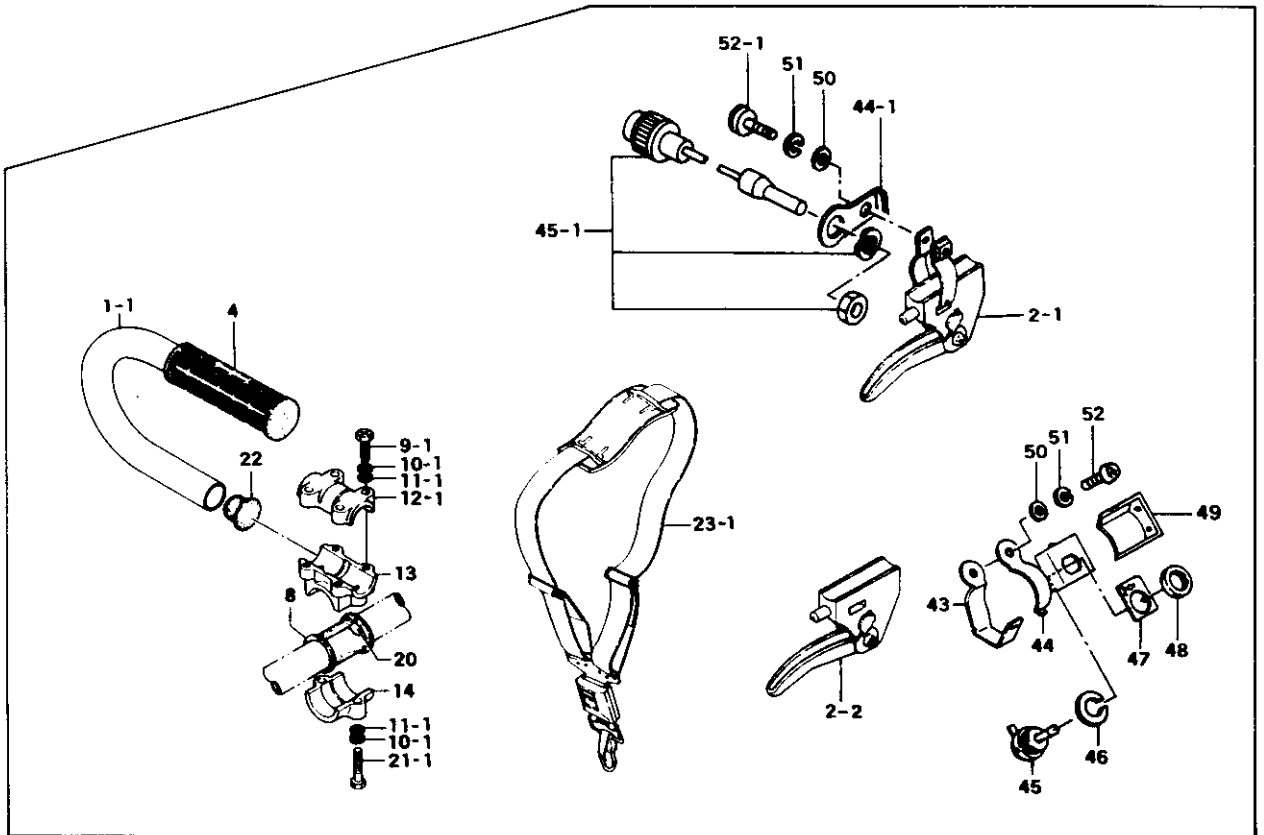
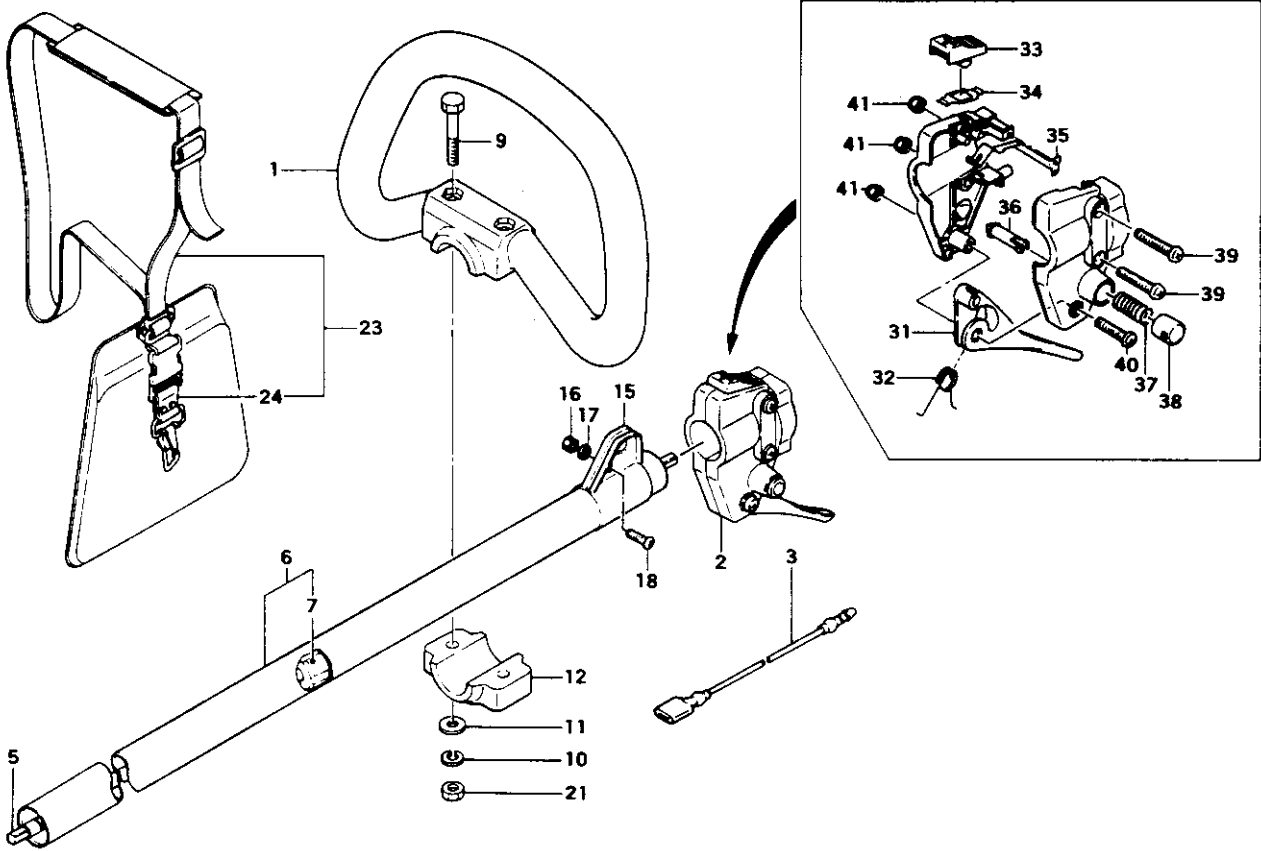
REF. NBR	PART NBR	PART NAME	QTY	SERIAL NBR	REMARKS
5-000	455-25004-902	CARBURETOR ASS'Y	1	I -C155400	
5-000	455-25020-900	CARBURETOR ASS'Y	1	I -D105985	
5-000	455-25020-901	CARBURETOR ASS'Y	1	D105986-	
5-001	575-25001-200	PUMP BODY	1		
5-002	577-25001-200	PUMP GASKET	1		
5-003	576-25001-200	PUMP DIAPHRAGM	1		
5-004	475-25001-200	DIAPHRAGM GASKET	1		
5-005	474-25001-800	METERING DIAPHRAGM COMP.	1		
5-006	476-25001-200	DIAPHRAGM CASE	1	M	
5-006	476-25006-200	DIAPHRAGM COVER	1	M	
5-006	476-25004-200	DIAPHRAGM COVER	1		
5-007	990-11030-081	SCREW 3X8	4	M	
5-007	548-25004-200	SCREW 3X8	4	M	
5-007	548-25005-200	SET SCREW	4	M	
5-007	548-25014-201	SET SCREW	4	M	
5-007	548-25012-200	SET SCREW	4		
5-008	522-25001-200	CIRCUIT PLATE GASKET	1		
5-009	521-25001-200	CIRCUIT CHECK VALVE DIAPHRAGM	1		
5-010	523-25001-200	CIRCUIT PLATE	1		
5-011	524-25001-200	CIRCUIT PLATE SCREW	1		
5-012	477-25001-200	VALVE SPRING	1		
5-013	603-25001-200	NEEDLE VALVE	1		
5-014	473-25001-200	VALVE HINGE	1		
5-015	605-25001-200	HINGE PIN	1		
5-016	546-25001-200	HINGE PIN SET SCREW	1		
5-017	463-25001-200	IDLE ADJUST SPRING	1	M	
5-017	463-25008-200	IDLE ADJUST SPRING	1		
5-018	462-25001-200	IDLE ADJUST SCREW	1	M	
5-018	462-25008-200	IDLE ADJUST SCREW	1		
5-019	578-25001-200	INLET SCREEN	1		
5-020	516-25004-201	GOVERNOR CONTROL PLATE	1	M	
5-020	505-25004-200	GOVERNOR CONTROL PLATE	1		
5-021	841-25004-201	CONTROL LEVER	1	M	
5-021	507-25004-200	CONTROL LEVER	1		
5-022	548-25004-200	SCREW 3X8	1		
5-023	489-25001-200	STOP RING	1	M	
5-023	489-25004-200	STOP RING	1		
5-024	461-25001-200	SLOW ADJUST SCREW	1		
5-025	460-25001-200	MAIN JET SCREW	1		
5-026	623-25001-200	HIGH/LOW ADJUST SPRING	2		
5-027	514-25001-200	SET SCREW	1		
5-028	874-25004-200	CONTROL LEVER SPRING	1	M	
5-028	486-25004-200	CONTROL LEVER SPRING	1		
5-029	490-25004-200	GOVERNOR SPRING LEVER	1		
5-030	141-25004-201	GOVERNOR LEVER	1	M	
5-030	630-25004-201	GOVERNOR LEVER	1		
5-031	631-25004-201	SPECIAL WASHER	1	M	
5-031	549-25004-200	SPECIAL WASHER	1		
5-032	366-25004-200	GOVERNOR SPECIAL SCREW	1	M	
5-032	467-25003-200	SHUTTER SCREW	2		
5-033	464-25004-800	THROTTLE SHAFT COMP.	1		
5-034	488-25012-200	THROTTLE VALVE	1	M	
5-034	488-25001-200	THROTTLE VALVE	1		

FIG.6 CLUTCH CASE



REF. NBR	PART NBR	PART NAME	QTY	SERIAL NBR	REMARKS
6-002	331-33410-206	CLUTCH HOUSING	1	-A292224	
6-002	331-33410-207	CLUTCH CASE	1	A292225-	
6-003	993-50012-002	STOP RING C-12 EX	1		
6-004	999-61620-104	BALL BEARING #6201DD, 32MM/OD	1		
6-005	993-51032-002	STOP RING C-32 IN	1		
6-006	332-33410-804	CLUTCH DRUM COMP.	1		
6-007	504-33412-200	SHAFT GRIP	1		
6-008	742-33410-800	STAND COMP.	1		
6-009	990-21060-251	BOLT 6X25	1		
6-010	992-10060-012	S.WASHER 6	1		
6-011	990-23060-221	BOLT 6X22 W/PLUS	4		
6-012	992-10060-012	S.WASHER 6	4		

FIG.7 HANDLE

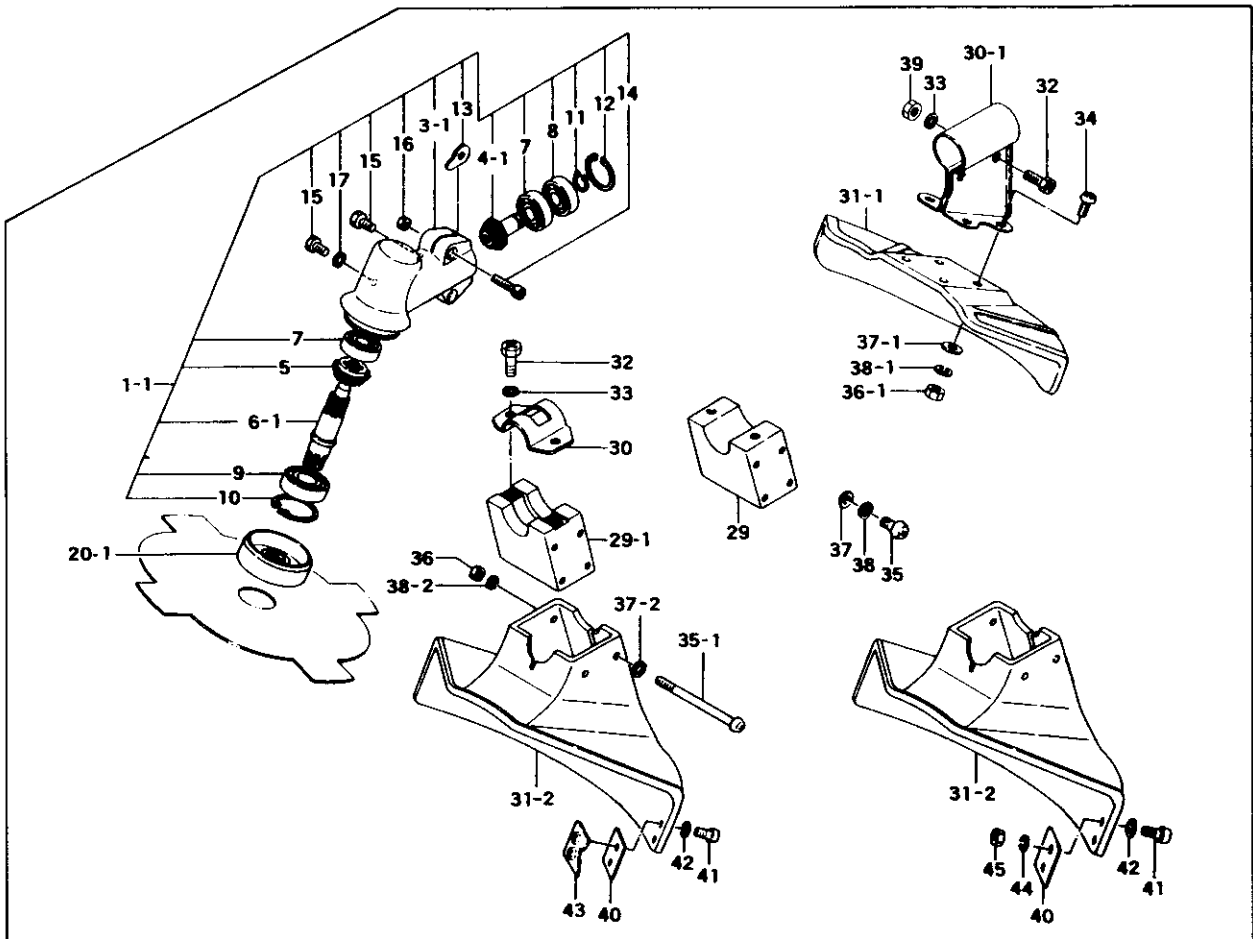
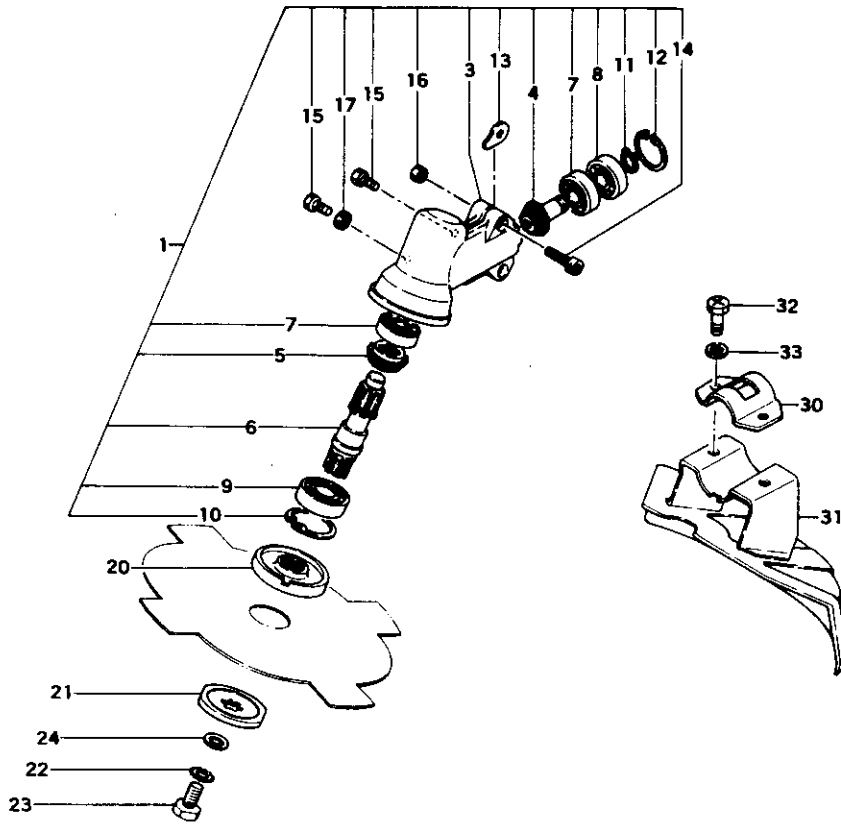


REF. NBR	PART NBR	PART NAME	QTY	SERIAL NBR	REMARKS
7-001,1	498-33410-201	SINGLE HANDLE	1	-A292224	
7-001	500-33564-210	HANDLE 26	1	N -B217732	
7-001	500-33560-200	HANDLE	1	N B217733-	
7-002,1	870-0063S-900	THROTTLE LEVER ASS'Y	1	-A292224	
7-002,1	870-00741-900	THROTTLE LEVER ASS'Y	1	N -C155400	
7-002,2	870-0062M-900	THROTTLE LEVER ASS'Y	1	N -D132744	
7-002	870-33564-900	THROTTLE LEVER ASS'Y	1	R -E177155	
7-002	870-33564-901	THROTTLE LEVER ASS'Y	1	E177156-	
7-003	178-01553-800	STOP CORD COMP. 970L	1	-A292224	
7-003	178-00741-800	STOP CODE COMP. 630L	1	N -C155400	
7-003	178-0072B-800	STOP CORD COMP.	1	N -D132744	
7-003	178-33564-800	STOP CORD COMP.	1	N D132745-	
7-004	503-33411-200	HANDLE GRIP	1	D A292225-	
7-005	343-33411-202	DRIVE SHAFT	1		
7-006	341-33560-800	DRIVE SHAFT PIPE COMP.	1	R -D105984	
7-006	341-33560-801	DRIVE SHAFT PIPE COMP.	1	D105985-	
7-007	347-33411-900	BUSH ASS'Y	5	-A292224	
7-007	347-33411-912	BUSHING ASS'Y	5	P A292225-	
7-008	510-33411-201	CUSHION RUBBER	1	D A292225-	
7-009,1	990-23060-221	BOLT 6X22 W/PLUS	4	-A292224	
7-009	990-21060-451	BOLT 6X45	2	N A292225-	
7-010,1	992-10060-012	S.WASHER 6	6	-A292224	
7-010	992-10060-012	S.WASHER 6	2	A292225-	
7-011,1	992-01060-011	WASHER 6	6	-A292224	
7-011	992-01060-011	WASHER 6	2	A292225-	
7-012,1	506-33411-200	HANDLE BRACKET A	1	-A292224	
7-012	506-33564-200	BRACKET A	1	N -B217732	
7-012	506-33560-200	HANDLE BRACKET A	1	N B217733-	
7-013	507-33411-200	HANDLE BRACKET B	1	I -A163433	
7-013	507-33411-201	HANDLE BRACKET B	1	D A292225-	
7-014	508-33411-200	HANDLE BRACKET C. SILVER	1	D A292225-	
7-015	335-33410-200	LIFTING METAL	1		
7-016	991-01050-011	HEX. NUT 5	1		
7-017	992-10050-012	S.WASHER 5	1		
7-018	990-11050-161	SCREW 5X16	1		
7-020	176-33410-200	EARTH TERMINAL	1	D A292225-	
7-021,1	990-21060-301	BOLT 6X30	2	-A292224	
7-021	991-01060-011	NUT 6	2	N A292225-	
7-022	497-33410-200	SINGLE HANDLE CAP	1	D A292225-	
7-023,1	746-33562-910	SHOULDER BELT ASS'Y, S/ONE T.	1	R -C002860	
7-023	746-33564-900	SHOULDER BELT ASSY,KOREAN MAKE	1	C002861	
7-024	748-33564-900	HOOK ASS'Y	1	N C002861-	
7-031	880-33564-200	THROTTLE ARM	1	N D132745-	
7-032	832-33564-200	RETURN SPRING	1	N D132745-	
7-033	162-33564-200	STOP SWITCH	1	N D132745-	
7-033	162-33564-200	STOP SWITCH	1	-E177155	
7-033	162-33564-210	STOP SWITCH	1	N E177156-	
7-034	262-33564-200	STOP SWITCH SPRING	1	N D132745-	
7-035	176-33564-200	EARTH TERMINAL	1	N D132745-	
7-036	956-33564-200	LOCK BUTTON A	1	N D132745-	
7-037	958-33564-200	LOCK BUTTON SPRING	1	N D132745-	
7-038	957-33564-200	LOCK BUTTON B	1	N D132745-	
7-039	990-11050-301	SCREW 5X30	2	N D132745-	
7-040	994-31050-251	SCREW 5X25	1	N D132745-	
7-041	991-86050-000	SELF-LOCK NUT 5	3	N D132745-	
7-043	883-33564-800	THROTTLE LEVER BAND COMP.	1	N C155401-	
7-043	883-33564-800	THROTTLE LEVER BAND COMP.	1	D D132745-	
7-044,1	640-0062M-200	STOP BUTTON BRACKET	1	-C155400	
7-044	640-33905-200	STOP BUTTON BRACKET	1	N C155401-	
7-044	640-33905-200	STOP BUTTON BRACKET	1	D D132745-	
7-045,1	170-01004-801	STOP BUTTON COMP.	1	-C155400	
7-045	170-00741-800	STOP BUTTON COMP.	1	N C155401-	
7-045	170-00741-800	STOP BUTTON COMP.	1	D D132745-	

- To be cont'd -

REF. NBR	PART NBR	PART NAME	QTY	SERIAL NBR	REMARKS
7-046	181-01004-200	SPECIAL S.WASHER	1 N	C155401-	
7-046	181-01004-200	SPECIAL S.WASHER	1 D	D132745-	
7-047	183-01300-200	SWITCH NAME PLATE	1 N	C155401-	
7-047	183-01300-200	SWITCH NAME PLATE	1 D	D132745-	
7-048	180-01004-200	STOP BUTTON FIXING NUT	1 N	C155401-	
7-048	180-01004-200	STOP BUTTON FIXING NUT	1 D	D132745-	
7-049	168-33905-201	STOP BUTTON COVER	1 N	C155401-	
7-049	168-33905-201	STOP BUTTON COVER	1 D	D132745-	
7-050	992-01050-011	WASHER 5	1 N	A292225-	
7-050	992-01050-011	WASHER 5	1 D	D132745-	
7-051	992-10050-012	S.WASHER 5	1 N	A292225-	
7-051	992-10050-012	S.WASHER 5	1 D	D132745-	
7-052, 1	990-11050-241	SCREW 5X24	1 N	A292225-	
7-052, 1	990-11050-241	SCREW 5X24	1	-C155400	
7-052	990-11050-141	SCREW 5X14	1 N	C155401-	
7-052	990-11050-141	SCREW 5X14	1 D	D132745-	

FIG.8 GEAR CASE

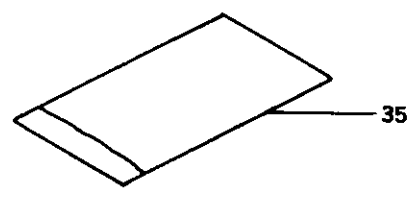
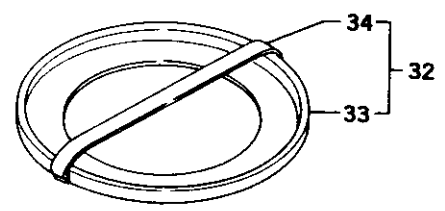
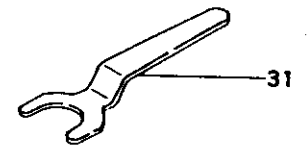
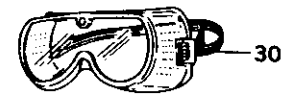
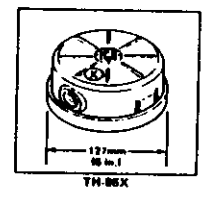
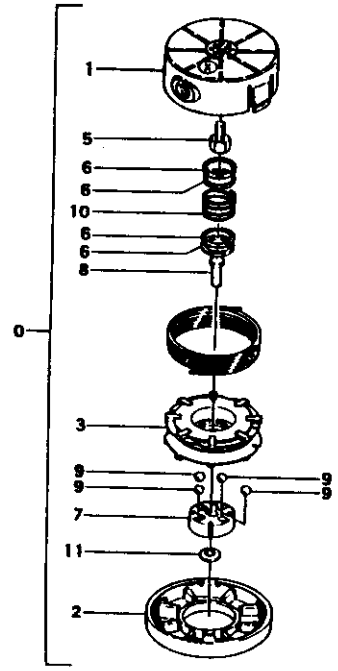
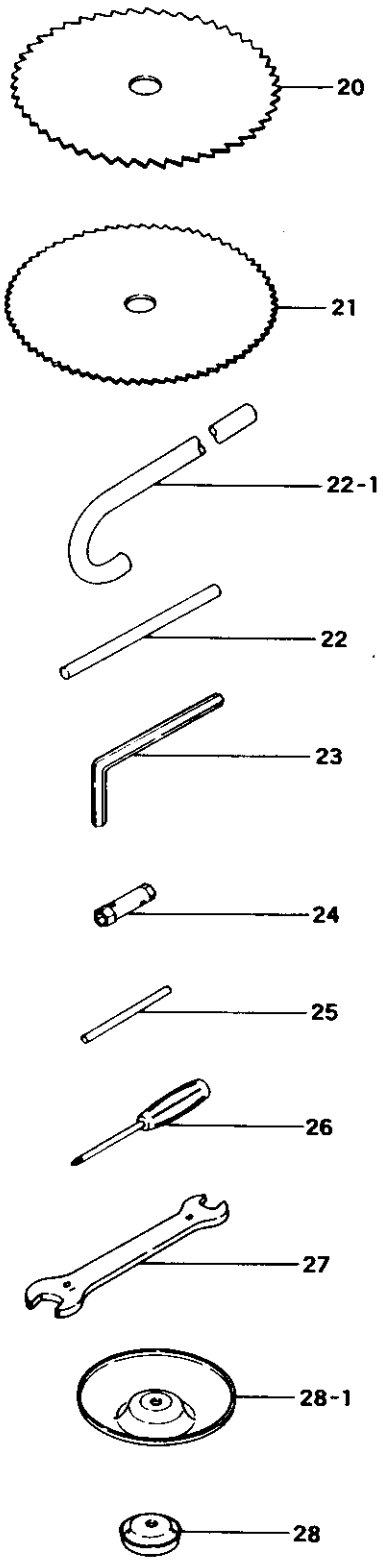


REF. NBR	PART NBR	PART NAME	QTY	SERIAL NBR	REMARKS
8-001,1	300-33411-900	GEAR CASE ASS'Y	1	-D168255	
8-001,1	300-33411-910	GEAR CASE ASS'Y	1	M -D216100	
8-001,1	300-33411-910	GEAR CASE ASS'Y	1	R -D216100	
8-001	300-37000-910	GEAR CASE ASS'Y	1	R -E177155	
8-001	300-37000-911	GEAR CASE ASS'Y	1	E177156-	
8-003,1	300-33410-200	GEAR CASE	1	R -A118167	
8-003,1	300-33410-201	GEAR CASE	1	-D168255	
8-003	300-33410-210	GEAR CASE	1	M -E177155	
8-003	300-33410-210	GEAR CASE	1	R -E177155	
8-003	300-33410-211	GEAR CASE	1	E177156-	
8-004,1	302-33411-200	PINION	1	R -D216100	
8-004	302-37000-200	PINION	1	D216101-	
8-005	301-33411-200	GEAR	1		
8-006,1	304-33411-201	GEAR SHAFT	1	R -D216100	
8-006	304-37000-200	GEAR SHAFT	1	D216101-	
8-007	999-61600-000	BALL BEARING #6000, 26MM/OD	2		
8-008	999-61600-004	BALL BEARING #6000DD, 26MM/OD	1		
8-009	999-61600-204	BALL BEARING #6002DD, 32MM/OD	1		
8-010	993-51032-002	STOP RING C-32 IN	1		
8-011	993-50010-002	STOP RING C-10 EX	1		
8-012	993-51026-002	STOP RING C-26 IN	1		
8-013	324-33410-201	GEAR CASE WASHER	2		
8-014	990-51050-203	HEX. HOLE BOLT 5X20	2		
8-015	990-23060-121	BOLT 6X12 W/PLUS	2		
8-016	991-01050-011	HEX. NUT 5	2		
8-017	317-33411-201	OILING GASKET	1		
8-020,1	310-33410-201	CUTTER HOLDER	1	R -C183862	
8-020,1	310-33410-202	CUTTER HOLDER	1	-D168255	
8-020	310-33524-201	CUTTER HOLDER	1	M D168256-	
8-021	331-33411-201	CLUTCH HOUSING	1	M	
8-021	311-33411-201	CUTTER HOLDER CAP	1		
8-022	992-29080-000	TOOTHED LOCK WASHER 8 L/H	1		
8-023	312-33411-200	CUTTER FIXING BOLT/L.H.T.	1		
8-024	992-01080-011	WASHER 8	1		
8-029,1	445-33671-200	SAFETY GUARD HOLDER	1	M C155401-	
8-029,1	445-33671-200	SAFETY GUARD HOLDER	1	-C216679	
8-029	445-33578-200	SAFETY GUARD HOLDER	1	M C216680-	
8-029	445-33578-200	SAFETY GUARD HOLDER	1	D D168256-	
8-030,1	442-33410-200	SAFETY GUARD BRACKET	1	-C155400	
8-030	442-33671-200	SAFETY GUARD BRACKET	1	M -D216100	
8-030	442-33671-200	SAFETY GUARD BRACKET	1	R -D216100	
8-030	442-33671-201	SAFETY GUARD BRACKET	1	D216101-	
8-031,1	441-33700-210	SAFETY GUARD	1	R -B217732	
8-031,1	441-33700-220	SAFETY GUARD	1	-C155400	
8-031,2	441-33671-200	SAFETY GUARD	1	M -C185791	
8-031,2	441-33671-200	SAFETY GUARD	1	R -C185791	
8-031,2	441-33671-210	SAFETY GUARD	1	R -D105985	
8-031,2	441-33671-220	SAFETY GUARD	1	-D168255	
8-031	441-37003-800	SAFETY GUARD COMP., METAL	1	M -E177155	
8-031	441-37003-800	SAFETY GUARD COMP., METAL	1	R -E177155	
8-031	441-37003-801	SAFETY GUARD COMP., METAL	1	E177156-	
8-032	990-23060-151	BOLT 6X15 W/PLUS	2		
8-033	992-10060-012	S.WASHER 6	2		
8-034	990-11050-121	SCREW 5X12	4	R -B217732	
8-034	990-11050-151	SCREW 5X15	4	D C155401-	
8-035,1	990-11050-701	SCREW 5X70	2	M	
8-035,1	990-11050-751	SCREW 5X75	2	N C155401-	
8-035,1	990-11050-751	SCREW 5X75	2	-C216679	
8-035	990-11050-161	SCREW 5X16	4	N C216680-	
8-035	990-11050-161	SCREW 5X16	4	D D168256-	
8-036,1	991-01050-011	HEX. NUT 5	4	-C155400	
8-036	991-01050-011	HEX. NUT 5	2	C155401-	
8-036	991-01050-011	HEX. NUT 5	2	D C216680-	

- To be cont'd -

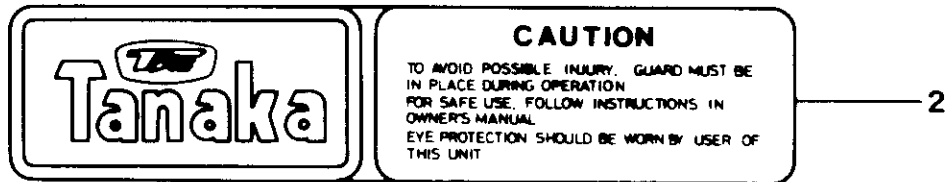
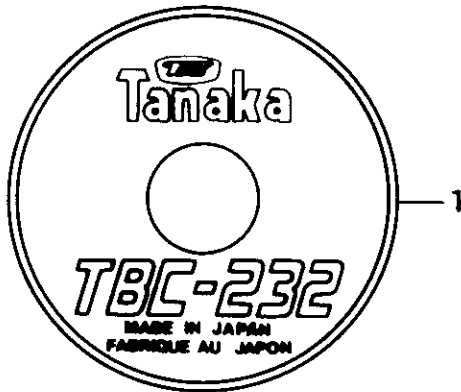
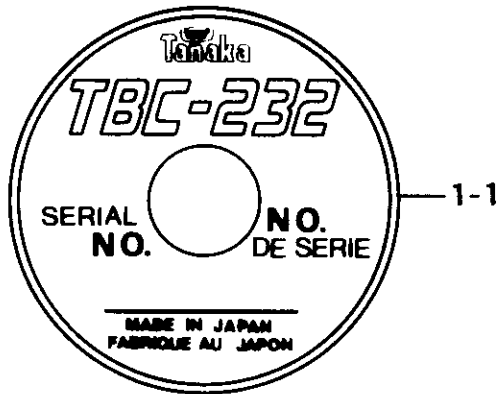
REF. NBR	PART NBR	PART NAME	QTY	SERIAL NBR	REMARKS
8-037.1	992-01050-011	WASHER 5	4	-C155400	
8-037.2	992-01050-011	WASHER 5	2	-C216679	
8-037	992-01050-011	WASHER 5	4 D	D168256-	
8-038.1	992-10050-012	S.WASHER 5	4	-C155400	
8-038.2	992-10050-012	S.WASHER 5	2	-C216679	
8-038	992-10050-012	S.WASHER 5	4 D	D168256-	
8-039	991-01060-011	NUT 6	2 D	C155401-	
8-040	800-33005-201	CORD CUTTER BLADE	1 N	C155401-	
8-040	800-33005-201	CORD CUTTER BLADE	1 D	D168256-	
8-041	990-11040-161	SCREW 4X16	2	-C155400	
8-041	990-11040-121	SCREW 4X12	2 N	C155401-	
8-041	990-11040-121	SCREW 4X12	2 D	D168256-	
8-042	992-01040-011	WASHER 4	2 N	C155401-	
8-042	992-01040-011	WASHER 4	2 D	D168256-	
8-043	799-33005-200	BLADE GUIDE	1 N	C177473-	
8-043	799-33005-200	BLADE GUIDE	1 D	D168256-	
8-044	992-10040-012	S.WASHER 4	2 N	C155401-	
8-044	992-10040-012	S.WASHER 4	2 D	C177473-	
8-045	991-01040-011	HEX. NUT 4	2 N	C155401-	
8-045	991-01040-011	HEX. NUT 4	2 D	C177473-	

FIG.9 TOOLS & NYLON HEAD



REF. NBR	PART NBR	PART NAME	QTY	SERIAL NBR	REMARKS
9-000	783-33440-901	NYLON HEAD ASS'Y (TH-95X)	1		
9-001	786-33004-801	CUTTING BODY COMP.	1		
9-002	789-33004-201	BODY CAP	1		
9-003	787-33004-202	CORD REEL	1		
9-005	314-33670-200	8X1.25 L/H BOLT (GOLD)	1		
9-006	792-33004-200	REEL WASHER	4		
9-007	790-33004-200	REEL SLIDER	1		
9-008	791-33004-200	REEL SLIDER HOOK	1		
9-009	673-35600-200	STEEL BALL 5/16"	4		
9-010	793-33440-200	REEL SPRING (GOLD)	1		
9-011	358-02103-200	WASHER	1		
9-020	803-33410-200	BLADE 48 TEETH 230	1	D A292225-	
9-021	809-33441-200	BLADE 80 TEETH 230	1	D D168256-	
9-022, 1	752-33564-201	CUTTER HOLDER STOPPER	1	-D168255	
9-022	752-33900-200	LOCKING BAR	1	N D168256-	
9-023	813-20000-200	HEX. WRENCH 4	1		
9-024	826-20000-200	BOX SPANNER 17X19	1		
9-025	951-20000-200	HANDLE 8X120	1		
9-026	862-20000-200	PLUS DRIVER 4	1		
9-027	801-20000-200	SPANNER 8X10	1		
9-028, 1	308-33410-200	PROTECTION COVER B	1	-A292224	
9-028	316-33410-200	BOLT PROTECTION COVER	1	N A292225-	
9-030	540-33671-900	GOGGLE ASS'Y	1	N D168256-	
9-031	809-20000-202	SPANNER 41	1	D D101637-	
9-032	615-33411-900	CUTTER COVER ASS'Y	1		
9-033	615-33411-200	CUTTER COVER	1		
9-034	616-33411-200	CUTTER COVER BAND	1		
9-035	948-32310-200	TOOL BAG	1		

FIG.10 MARKS



REF. NBR	PART NBR	PART NAME	QTY	SERIAL NBR	REMARKS
10-001,1	906-33494-210	NAME PLATE TBC-232	1 R	-C155400	
10-001	906-33494-220	NAME PLATE	1	C155401-	
10-002,1	915-33480-200	TAS MARK	1 R	-A283774	
10-002,2	929-33800-200	SYMBOL MARK	1 R	-A292224	
10-002,2	929-33800-201	SYMBOL MARK	1	-C002860	
10-002	929-33576-200	SYMBOL MARK	1 N	C002861-	

Free Manuals Download Website

<http://myh66.com>

<http://usermanuals.us>

<http://www.somanuals.com>

<http://www.4manuals.cc>

<http://www.manual-lib.com>

<http://www.404manual.com>

<http://www.luxmanual.com>

<http://aubethermostatmanual.com>

Golf course search by state

<http://golfingnear.com>

Email search by domain

<http://emailbydomain.com>

Auto manuals search

<http://auto.somanuals.com>

TV manuals search

<http://tv.somanuals.com>