

Tanaka

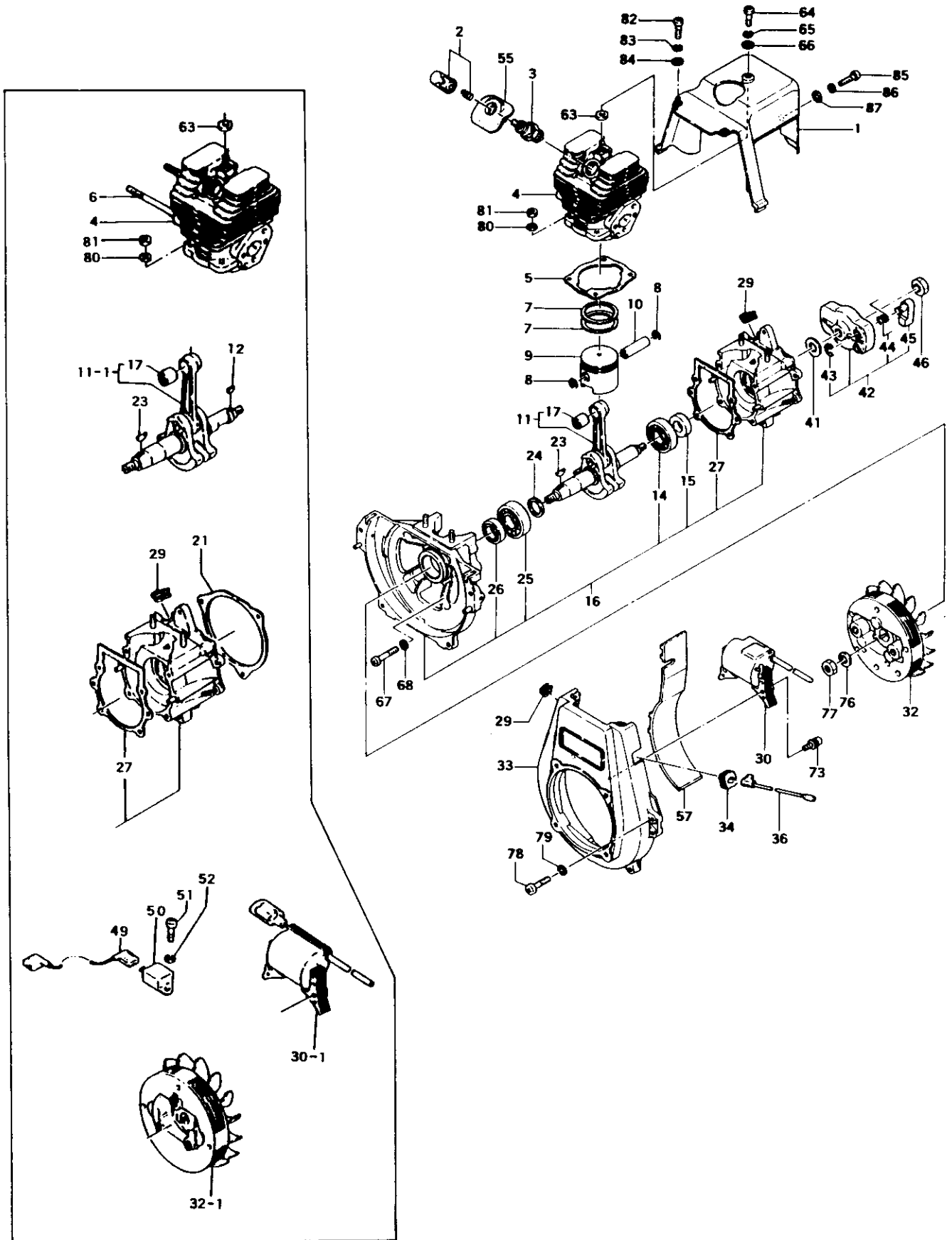
Parts Catalog

Brush Cutter

Model: TBC-325

Serial No. -J010650

FIG.1 ENGINE

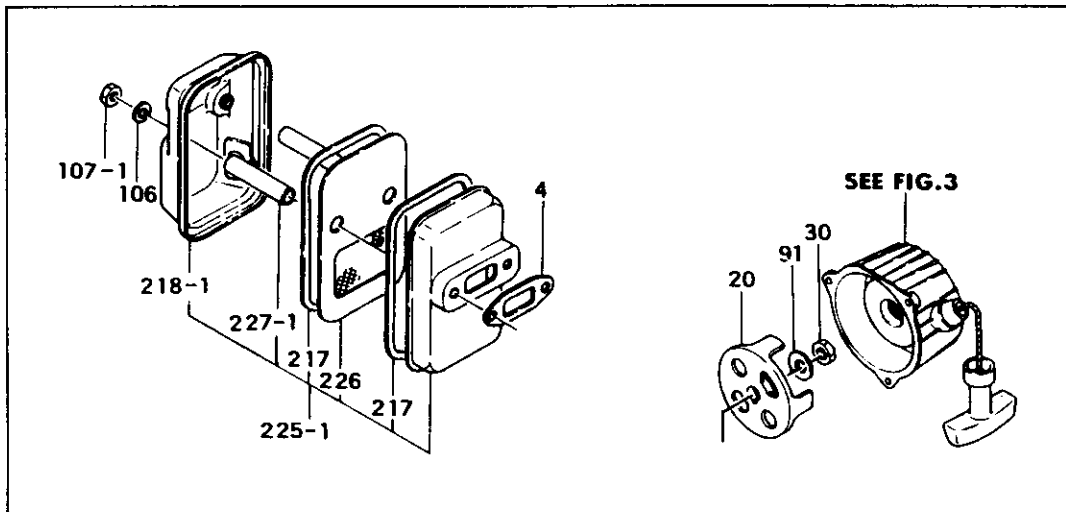
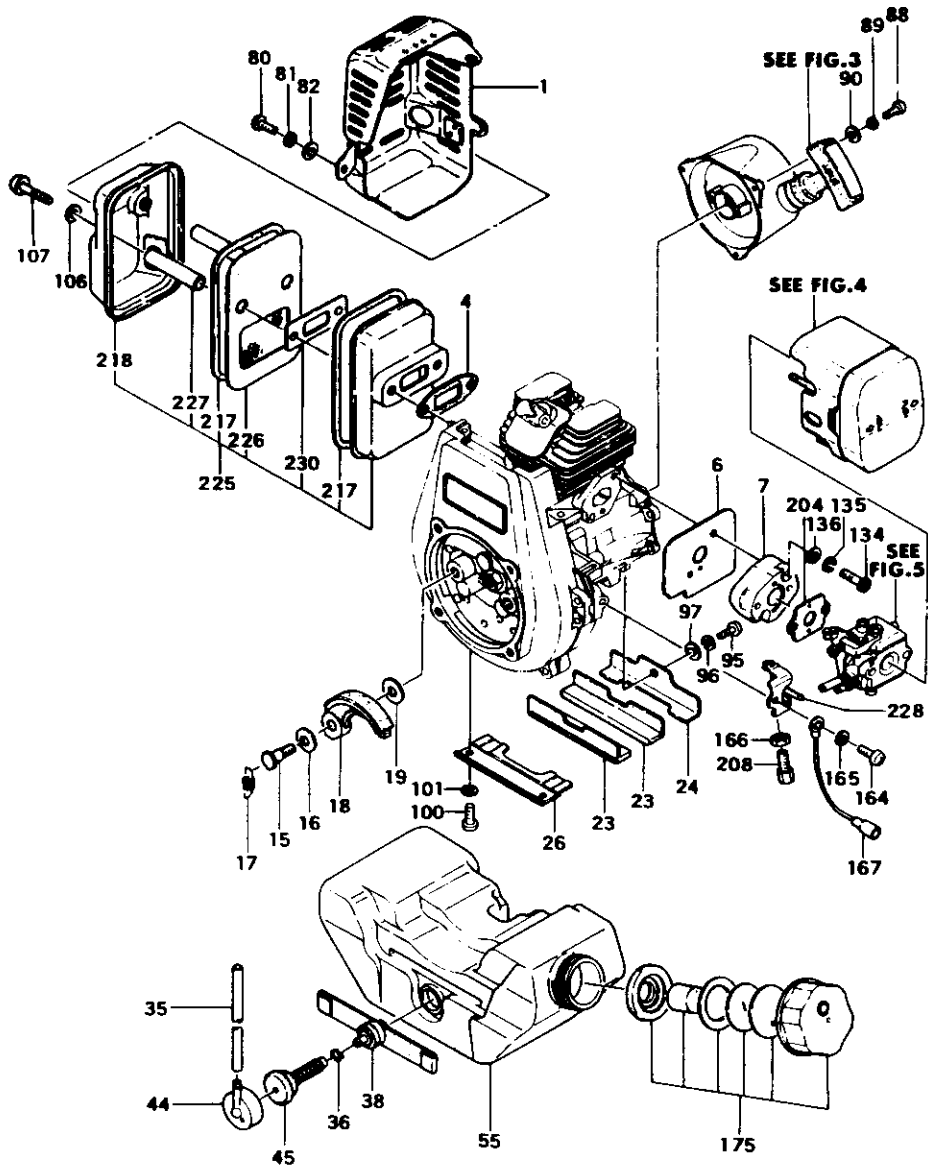


REF. NBR	PART NBR	PART NAME	QTY	SERIAL NBR	REMARKS
1-001	016-01300-210	CYLINDER SHROUD	1		
1-002	157-01570-900	SPARK PLUG CAP ASS'Y	1	-J010350	
1-002	157-04000-800	SPARK PLUG CAP ASS'Y	1	P J010351-	
1-003	018-02233-200	SPARK PLUG CJ6	1	-J010350	
1-003	018-11600-200	SPARK PLUG BM-7A	1	P J010351-	
1-004	002-01320-800	CYLINDER COMP.	1	-G226750	
1-004	002-01320-212	CYLINDER	1	N G226751-	
1-005	017-01300-210	CYLINDER GASKET	1		
1-006	100-01300-202	STUD BOLT 6X69	2	D G226751-	
1-007	041-01000-201	PISTON RING	2		
1-008	039-00000-201	PISTON PIN CIRCLIP	2		
1-009	031-01400-204	PISTON 36	1		
1-010	037-01400-200	PISTON PIN	1		
1-011, 1	046-01300-821	CRANK SHAFT COMP.	1	-G026900	
1-011	046-0136U-800	CRANK SHAFT COMP.	1	N -J010350	
1-011	046-0136U-801	CRANK SHAFT COMP.	1	P J010351-	
1-012	068-00300-200	WOOD-RUFF KEY 3X10X3.7	1	D G026901-	
1-014	999-61600-200	BALL BEARING #6002. 32MM/OD	1		
1-015	999-66122-266	OIL SEAL 12227	1		
1-016	072-01370-901	CRANK CASE ASS'Y	1		
1-017	999-62091-325	NEEDLE BEARING F-910	1		
1-021	810-01225-201	RECOIL STARTER GASKET A	1	D G026901-	
1-023	068-10100-200	WOOD-RUFF KEY 3X13X4.5	1		
1-024	071-02007-200	CRANK SHAFT SHIM 0.05	V		
1-024	071-02007-210	CRANK SHAFT SHIM 0.10	V		
1-024	071-02007-220	CRANK SHAFT SHIM 0.15	V		
1-024	071-02007-230	CRANK SHAFT SHIM 0.20	V		
1-024	071-02007-240	CRANK SHAFT SHIM 0.30	V		
1-025	999-61620-200	BALL BEARING #6202. 35MM/OD	1		
1-026	999-66152-500	OIL SEAL 15257	1		
1-027	090-01300-202	CRANK CASE GASKET	1		
1-029	203-06000-200	PRIMARY CORD GROMMET	2		
1-030, 1	167-20761-800	IGNITION COIL COMP.	1	-G026900	
1-030, 1	167-20770-800	IGNITION COIL COMP.	1	N -G226750	
1-030	167-21851-800	IGNITION COIL COMP.	1	N -J010350	
1-030	167-21951-800	IGNITION COIL COMP.	1	P J010351-	
1-032, 1	155-21703-802	MAGNETO ROTOR COMP.	1	-G026900	
1-032	155-21727-800	MAGNETO ROTOR COMP.	1	N -G226750	
1-032	155-21727-800	MAGNETO ROTOR COMP.	1	I -G226750	
1-032	155-21727-801	MAGNETO ROTOR COMP.	1	G226751-	
1-033	112-01360-212	FAN CASE	1	-G226750	
1-033	112-01360-220	FAN CASE	1	N G226751-	
1-034	203-0604A-202	GROMMET	1		
1-036	178-0137R-800	STOP CORD COMP.	1		
1-041	359-10112-203	CLUTCH WASHER B	1	N G026901-	
1-042	798-0162V-900	STARTER PULLEY ASS'Y	1	N G026901-	
1-043	993-55005-000	STOP RING 5	1	N G026901-	
1-043	993-55005-000	STOP RING 5	1	I -G226750	
1-043	993-55050-000	STOP RING 5	1	G226751-	
1-044	790-0162V-200	STARTER PAWL SPRING	1	N G026901-	
1-045	788-0162V-200	STARTER PAWL	1	N G026901-	
1-046	991-01080-011	HEX. NUT 8	1	N G026901-	
1-049	173-06400-800	IGNITOR LEAD WIRE COMP., R73M	1	D G226751-	
1-050	159-21401-872	IGNITOR COMP. TTI-1F	1	D G226751-	
1-051	990-11040-081	SCREW 4X8	1	D G226751-	
1-052	992-10040-012	S. WASHER 4	1	D G226751-	
1-055	255-01300-200	SPARK PLUG RUBBER COVER	1		
1-057	132-01300-200	FLASH PAN	1		
1-063	102-01300-200	INSULATOR	1		
1-064	990-11050-181	SCREW 5X18	1		
1-065	992-10050-012	S. WASHER 5	1		
1-066	992-01050-011	WASHER 5	1		
1-067	990-11050-251	SCREW 5X25	4		

- To be cont'd -

REF. NBR	PART NBR	PART NAME	QTY	SERIAL NBR	REMARKS
1-068	992-10050-012	S.WASHER 5	4		
1-073	994-16040-226	SCREW 4X22/VS	2		
1-076	992-01080-011	WASHER 8	1		
1-077	981-01080-011	NUT 8	1		
1-078	990-11050-181	SCREW 5X18	4		
1-079	992-10050-012	S.WASHER 5	4		
1-080	992-10050-012	S.WASHER 5	4		
1-081	991-01050-011	HEX. NUT 5	4		
1-082	990-11040-121	SCREW 4X12	2		
1-083	992-10040-012	S.WASHER 4	2		
1-084	992-01040-011	WASHER 4	2		
1-085	990-11050-121	SCREW 5X12	1		
1-086	992-10050-012	S.WASHER 5	1		
1-087	992-01050-011	WASHER 5	1		

FIG.2 ENGINE COMPONENTS

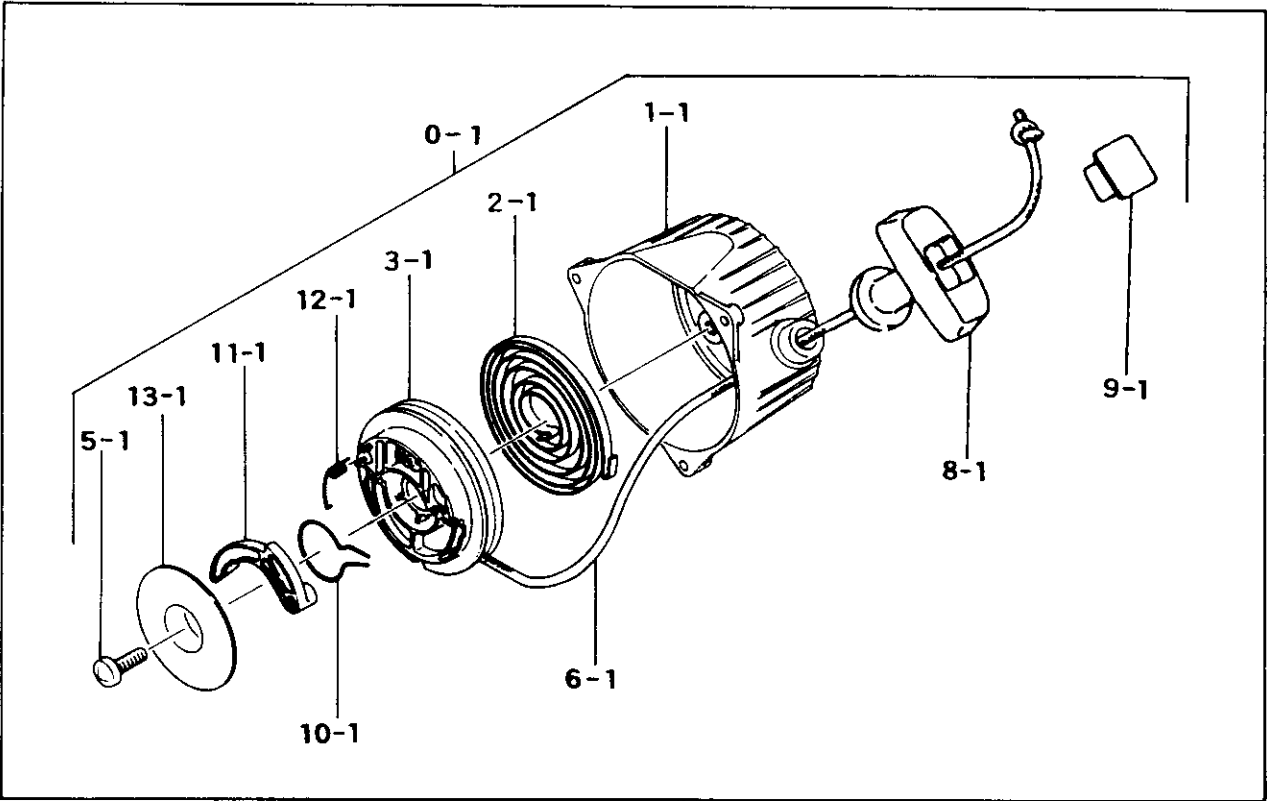
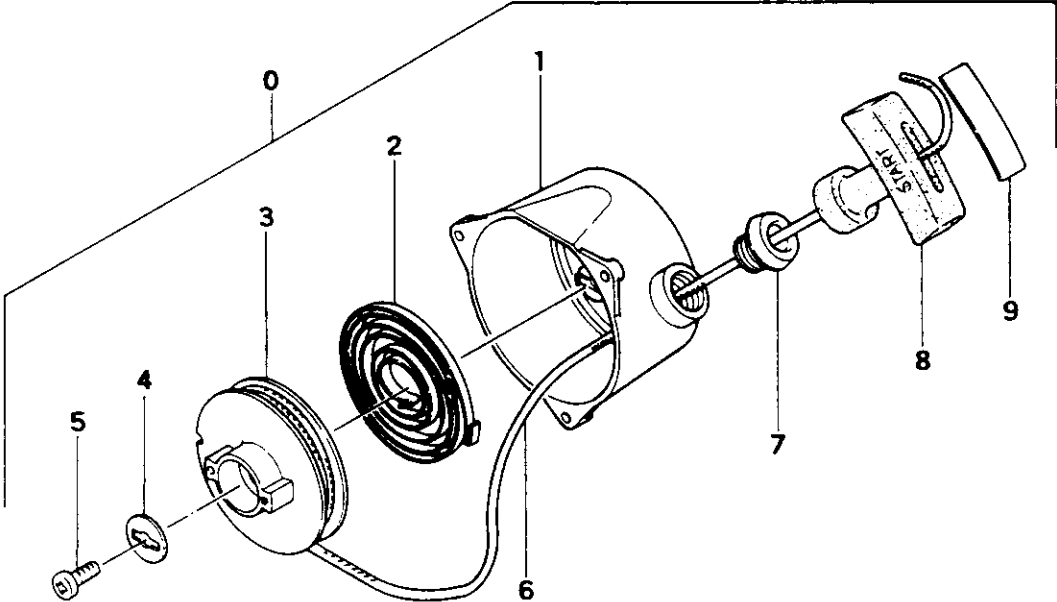


REF. NBR	PART NBR	PART NAME	QTY		SERIAL NBR	REMARKS
2-001	738-01320-801	MUFFLER PROTECTOR COMP.	1	M		
2-001	738-01320-800	MUFFLER PROTECTOR COMP.	1			
2-004	737-01225-210	MUFFLER GASKET	1			
2-006	403-01320-200	INLET MANIFOLD GASKET	1			
2-007	404-01320-200	CARBURETOR INSULATOR	1		-J010350	
2-007	404-01320-201	CARBURETOR INSULATOR	1	M		
2-007	404-01320-202	CARBURETOR INSULATOR	1	M	J010351-	
2-015	357-02110-202	CLUTCH STEP BOLT	3		-G026900	
2-015	357-0136U-200	CLUTCH STEP BOLT	2	M	G026901-	
2-016	358-02103-200	WASHER	3		-G026900	
2-016	358-10112-200	CLUTCH WASHER A	2	M	G026901-	
2-017	342-01515-200	CLUTH SPRING	3		-G026900	
2-017	342-0136U-200	CLUTCH SPRING	1	M	G026901-	
2-018	290-02110-802	CLUTCH ARM COMP.	3		-G026900	
2-018	290-0136U-800	CLUTCH SHOE COMP.	2	M	G026901-	
2-019	359-02103-200	CLUTCH WASHER B	3		-G026900	
2-019	359-10112-203	CLUTCH WASHER B	2	M	G026901-	
2-020	774-01250-200	STARTER PULLEY	1	D	G026901-	
2-023	655-01300-200	FUEL TANK CUSHION RUBBER	2			
2-024	653-01300-201	FUEL TANK BRACKET	1			
2-026	654-01320-200	FUEL TANK BRACKET B	1			
2-030	066-00601-200	FLYWHEEL NUT	1	D	G026901-	
2-035	700-03005-210	FUEL PIPE	1			
2-036	680-04019-210	CLIP 7	1			
2-038	675-01320-900	PUMP FILTER BODY ASS'Y	1	R	-G226750	
2-038	675-0608A-900	PUMP FILTER BODY ASS'Y	1		G226751-	
2-044	500-33202-205	RUBBER PIPE CAP	1			
2-045	678-00601-201	RUBBER PIPE	1			
2-055	591-0132R-200	TANK	1			
2-080	990-11040-101	SCREW 4X10	2			
2-081	992-10040-012	S.WASHER 4	2			
2-082	992-01040-011	WASHER 4	2			
2-088	990-11040-121	SCREW 4X12	3		-G226750	
2-088	990-11040-141	SCREW 4X14	3	P	-J010350	
2-088	990-11040-161	SCREW 4X16	3	P	J010351-	
2-089	992-10040-012	S.WASHER 4	3			
2-090	992-00040-011	SMALL WASHER 4	3			
2-091	065-00000-200	FLYWHEEL WASHER	1	D	G026901-	
2-095	990-11060-141	SCREW 6X14	1			
2-096	992-10080-012	S.WASHER 6	1			
2-097	992-01060-011	WASHER 6	1			
2-100	990-11050-121	SCREW 5X12	2			
2-101	992-10050-012	S.WASHER 5	2			
2-106	992-01060-061	WASHER 6	2	M		
2-106	992-01060-011	WASHER 6	2			
2-107.1	991-74060-010	U-NUT 6	2		-G226750	
2-107	990-53060-603	HEX. HOLE BUTTON SCREW 6X60	2	M	G226751-	
2-134	990-11050-241	SCREW 5X24	2		-J010350	
2-134	990-11050-221	SCREW 5X22	2	M	J010351-	
2-135	992-10050-012	S.WASHER 5	2			
2-136	992-00050-011	SMALL WASHER 5	2			
2-164	990-11050-121	SCREW 5X12	1			
2-165	992-10050-012	S.WASHER 5	1			
2-166	991-01060-013	NUT 6	1			
2-167	179-0162R-800	STOP CORD COMP. B . 79L	1			
2-175	595-01320-900	TANK CAP ASS'Y	1			
2-204	402-00601-202	CARBURETOR GASKET	1			
2-208	894-01401-201	OUTER RECEIVER	1			
2-217	739-01320-201	MUFFLER GASKET	2			
2-218.1	717-01320-801	MUFFLER BODY B COMP.	1		-J010350	
2-218	717-01320-802	MUFFLER BODY B COMP.	1	P	J010351-	
2-225.1	706-01320-901	MUFFLER ASS'Y	1		-J010350	
2-225	706-01320-902	MUFFLER ASS'Y	1	P	J010351-	

- To be cont'd -

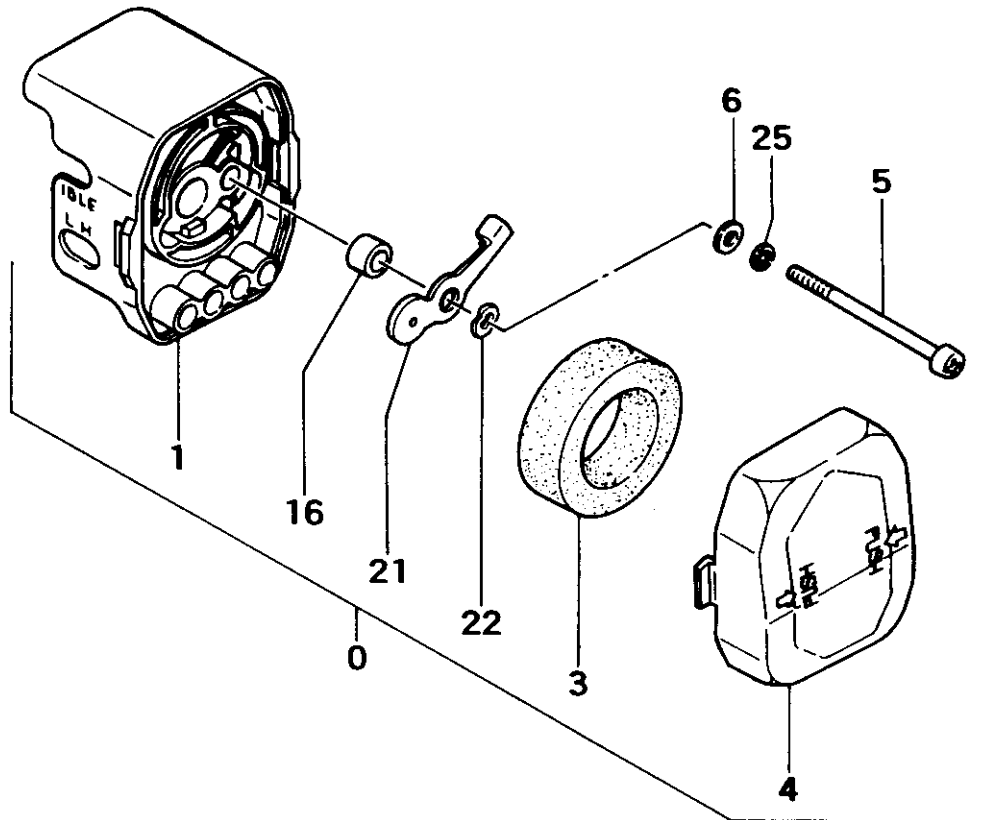
REF. NBR	PART NBR	PART NAME	QTY	SERIAL NBR	REMARKS
2-226	722-01320-801	MUFFLER PARTITION COMP.	1		
2-227, 1	740-01320-200	MUFFLER COLLAR	2	-J010350	
2-227	740-0136G-200	MUFFLER COLLAR	2	N J010351-	
2-228	878-01320-200	THROTTLE WIRE HOLDING METAL	1		
2-230	718-0136S-200	MUFFLER FLANGE	1	N J010351-	

FIG.3 RECOIL STARTER



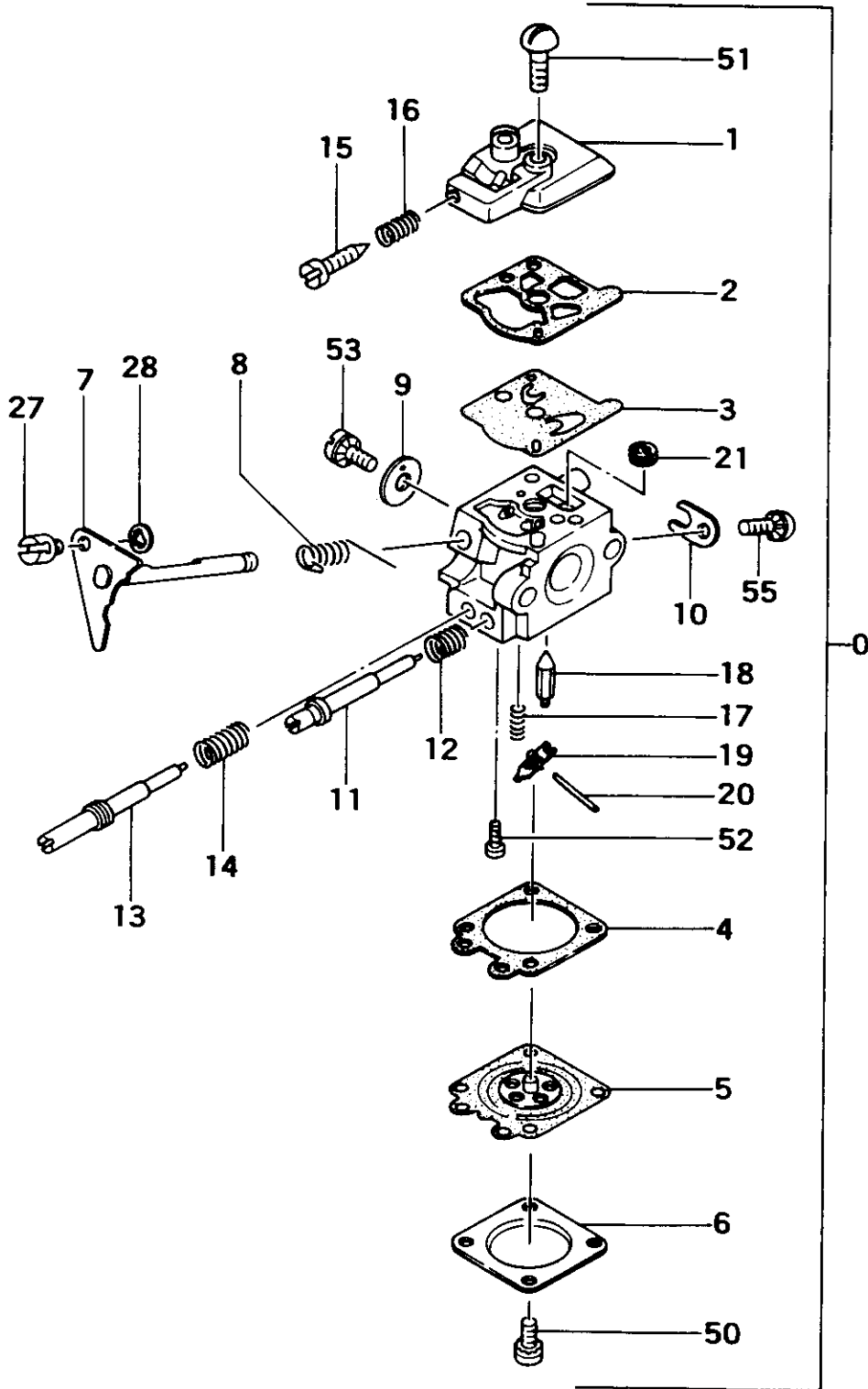
REF. NBR	PART NBR	PART NAME	QTY	SERIAL NBR	REMARKS
3-000.1	762-01250-900	RECOIL STARTER BODY ASS'Y	1	-G026900	
3-000	762-0136U-900	RECOIL STARTER BODY ASS'Y	1	M -J010350	
3-000	762-0136U-901	RECOIL STARTER BODY ASS'Y	1	P J010351-	
3-001.1	772-01250-201	RECOIL STARTER BODY	1		
3-002.1	779-01250-200	RECOIL SPRING	1		
3-003.1	769-01250-200	STARTER ROPE REEL	1		
3-005.1	990-15050-121	SCREW 5X12	1		
3-006.1	783-01250-200	ROPE	1		
3-008.1	785-01620-200	STARTER HANDLE	1		
3-009.1	795-01620-200	HANDLE KNOB SEAL	1		
3-010.1	836-06092-200	FRICTION SPRING	1		
3-011.1	788-01250-200	STARTER PAWL	1		
3-012.1	832-01250-200	RETURN SPRING	1		
3-013.1	837-01250-200	FRICTION PLATE	1		
3-001	772-0136U-200	RECOIL STARTER BODY	1	-J010350	
3-001	772-0136U-201	RECOIL STARTER BODY	1	P J010351-	
3-002	779-0136U-200	RECOIL SPRING	1		
3-003	774-0162V-200	STARTER ROPE REEL	1		
3-004	801-0162V-200	ROPE REEL WASHER	1		
3-005	990-15050-126	SCREW 5X12	1		
3-006	783-0136U-200	ROPE	1		
3-007	782-06097-200	ROPE GUIDE	1		
3-008	785-01620-200	STARTER HANDLE	1		
3-009	795-01620-200	HANDLE KNOB SEAL	1		

FIG.4 AIR CLEANER



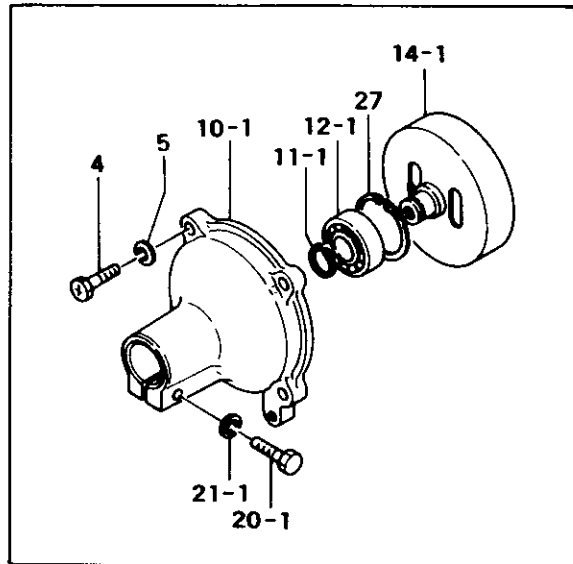
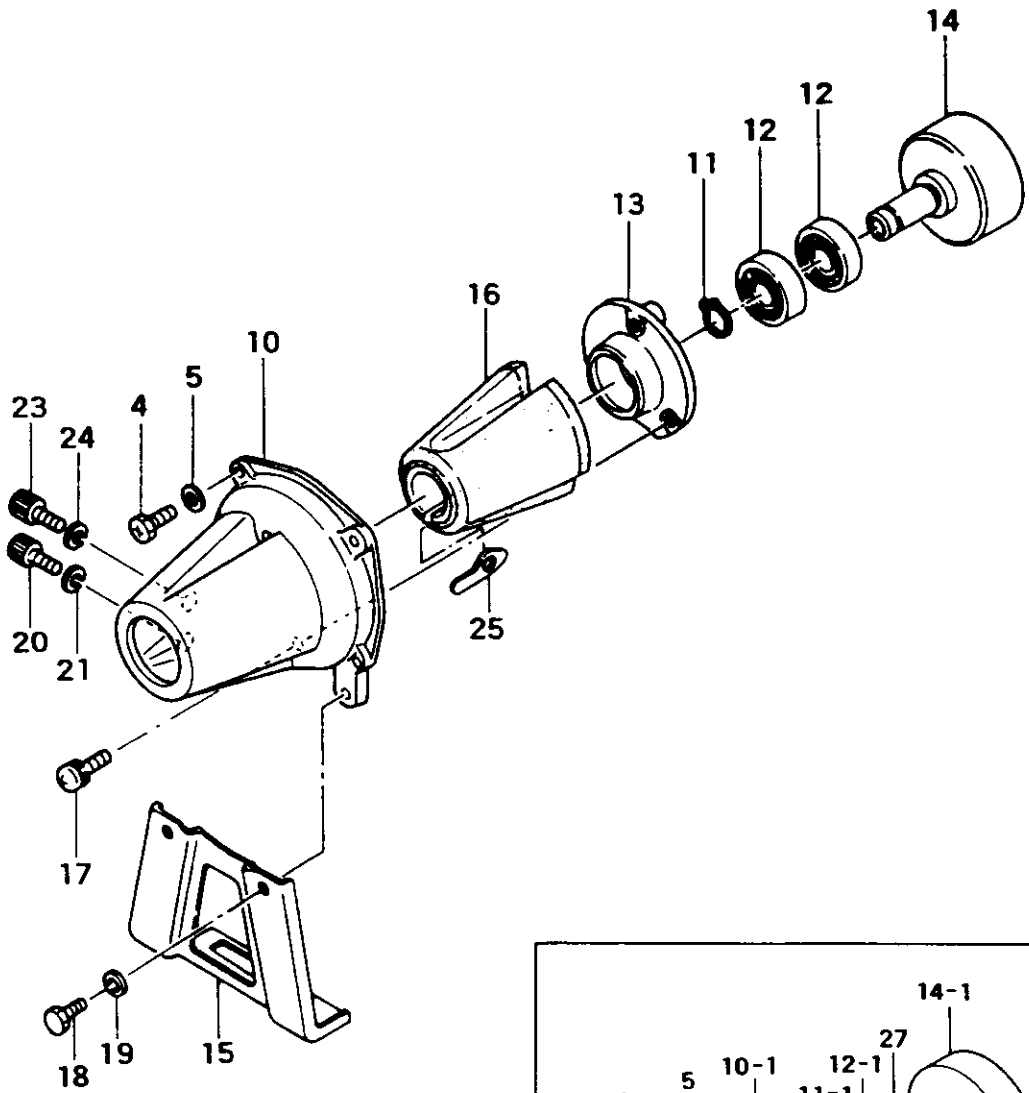
REF. NBR	PART NBR	PART NAME	QTY	SERIAL NBR	REMARKS
4-000	410-0137R-901	CLEANER ASS'Y	1		
4-001	423-0137R-203	CLEANER BODY	1		
4-003	446-0602V-200	CLEANER ELEMENT	1		
4-004	424-0137R-200	CLEANER CAP	1		
4-005	990-11050-571	SCREW 5X57	2		
4-006	992-01050-011	WASHER 5	2		
4-016	470-0602N-200	CLEANER COLLAR	2		
4-021	528-0602V-202	CHOKE VALVE	1		
4-022	992-04080-031	WAVE WASHER 8	1		
4-025	992-10050-012	S. WASHER 5	2		

FIG.5 CARBURETOR



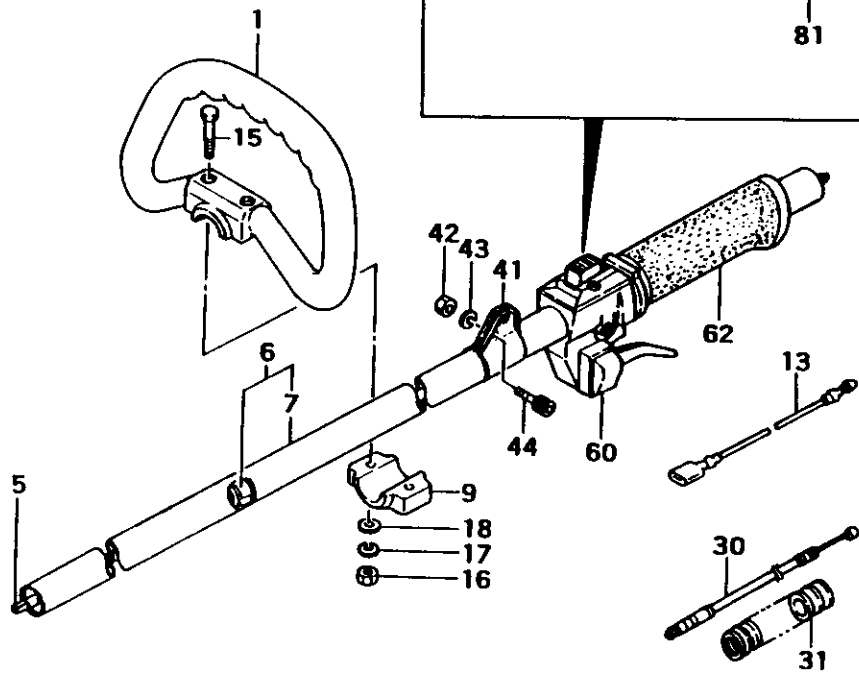
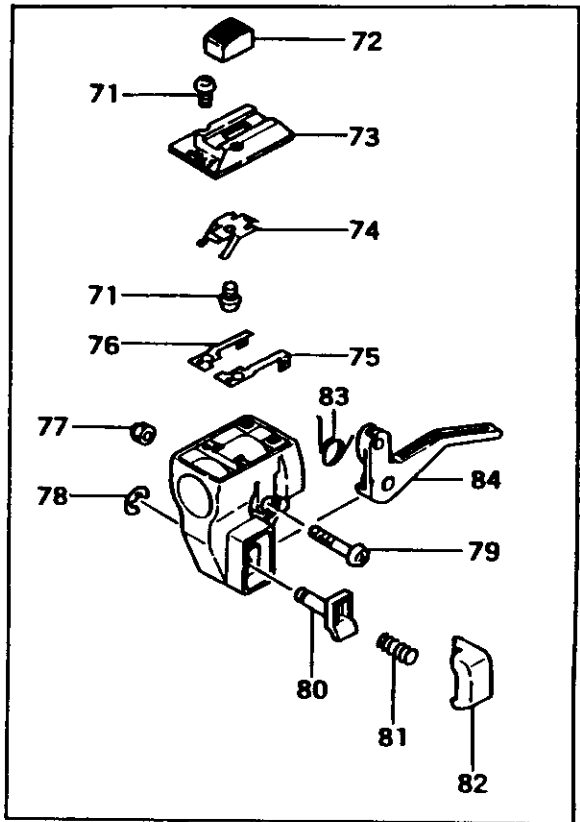
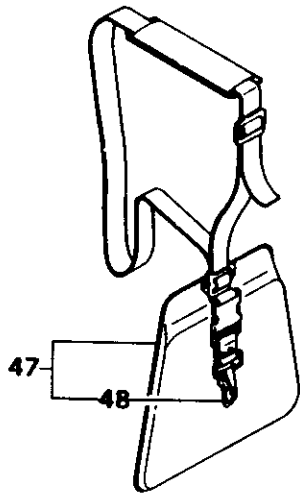
REF. NBR	PART NBR	PART NAME	QTY	SERIAL NBR	REMARKS
5-000	455-25010-802	CARBURETOR ASS'Y	1	-J010350	
5-000	455-25010-910	CARBURETOR ASS'Y	1	J010351-	
5-001	575-25010-200	PUMP BODY	1		
5-002	577-25007-200	PUMP GASKET	1		
5-003	576-25006-200	PUMP DIAPHRAGM	1		
5-004	475-25001-200	DIAPHRAGM GASKET	1		
5-005	474-25001-800	METERING DIAPHRAGM COMP.	1		
5-006	476-25004-200	DIAPHRAGM COVER	1		
5-007	464-25010-800	THROTTLE SHAFT COMP.	1		
5-008	486-25009-200	THROTTLE SPRING	1		
5-009	488-25008-200	THROTTLE VALVE	1	-J010350	
5-009	488-25027-200	THROTTLE VALVE	1	J010351-	
5-010	557-25006-200	THROTTLE SHAFT CLIP	1		
5-011	460-25010-210	HIGH ADJUST SCREW	1		
5-012	485-25003-200	HIGH ADJUST SPRING	1		
5-013	461-25010-200	LOW ADJUST SCREW	1		
5-014	623-25001-200	HIGH/LOW ADJUST SPRING	1		
5-015	462-25006-200	IDLE ADJUST SCREW	1		
5-016	463-25006-200	IDLE ADJUST SPRING	1		
5-017	477-25007-200	VALVE SPRING	1	-J010350	
5-017	477-25013-200	VALVE SPRING	1	J010351-	
5-018	603-25001-200	NEEDLE VALVE	1		
5-019	473-25001-200	VALVE HINGE	1		
5-020	605-25001-200	HINGE PIN	1		
5-021	578-25007-200	INLET SCREEN	1		
5-027	539-25008-200	SWIVEL	1		
5-028	489-25008-200	STOP RING	1		
5-050	548-25012-200	SET SCREW	4		
5-051	514-25001-200	SET SCREW	1		
5-052	546-25001-200	HINGE PIN SET SCREW	1		
5-053	467-25003-200	SHUTTER SCREW	1		
5-055	548-25012-200	SET SCREW	1		

FIG.6 CLUTCH CASE



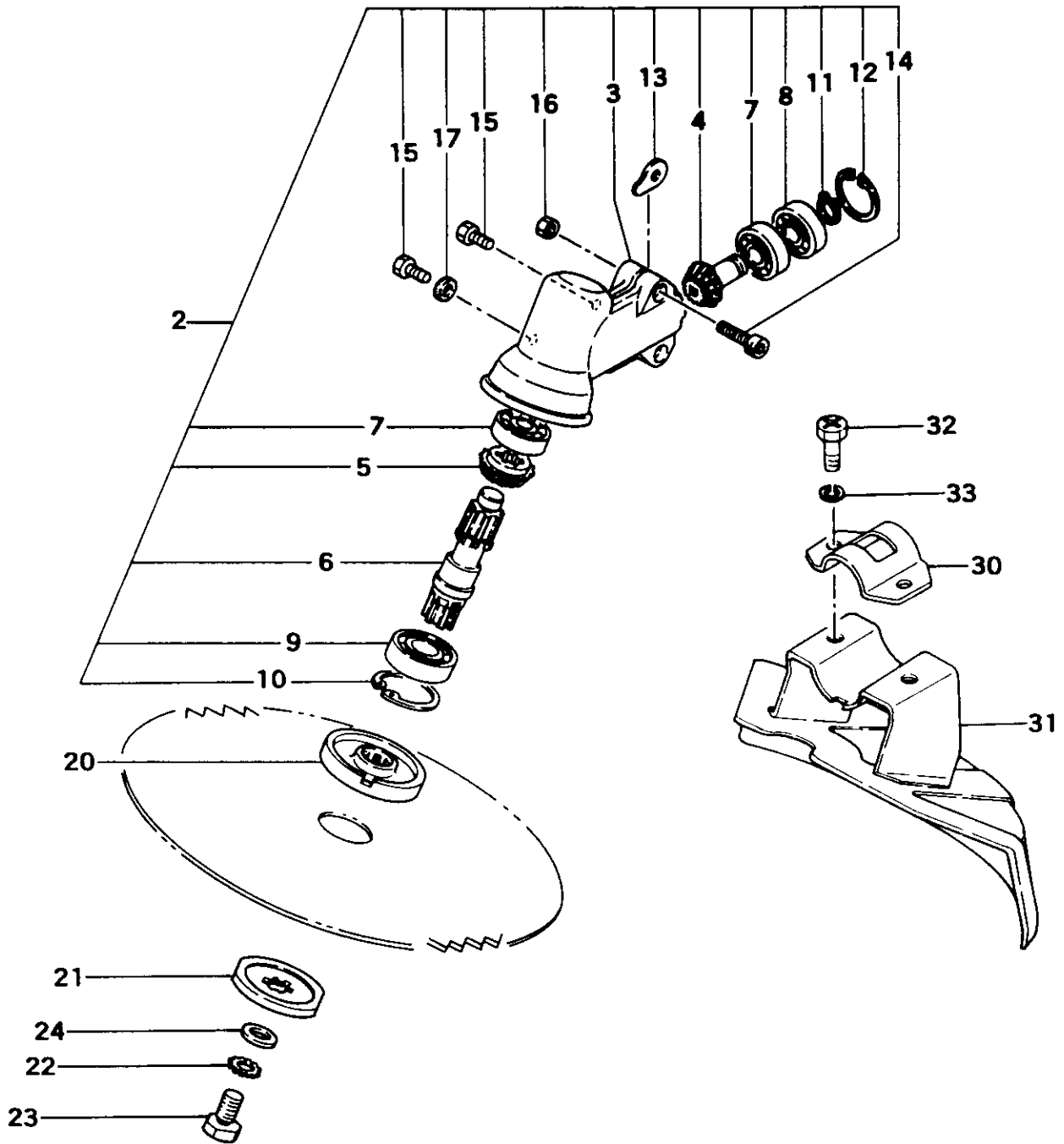
REF. NBR	PART NBR	PART NAME	QTY	SERIAL NBR	REMARKS
6-004	990-23060-221	BOLT 6X22 W/PLUS	4		
6-005	992-10060-012	S.WASHER 6	4		
6-010.1	331-33680-201	CLUTCH CASE	1	-J010350	
6-010	331-33684-200	CLUTCH CASE	1	N J010351-	
6-011.1	993-50015-002	STOP RING C-15 EX	1	-J010350	
6-011	993-50012-002	STOP RING C-12 EX	1	N J010351-	
6-012.1	999-61620-201	BALL BEARING #6202ZZ, 35MM/OD	1	-J010350	
6-012	999-61600-103	BALL BEARING 6001D, 28MM/OD	2	N J010351-	
6-013	374-0631A-200	CLUTCH FLANGE	1	N J010351-	
6-014.1	332-33680-801	CLUTCH DRUM COMP.	1	-J010350	
6-014	289-01370-801	CLUTCH DRUM COMP.	1	N J010351-	
6-015	739-33681-200	STAND	1		
6-016	599-0165A-801	CUSHION RUBBER COMP.	1	N J010351-	
6-017	994-14050-122	SCREW 5X12/S	3	N J010351-	
6-018	990-21050-101	BOLT 5X10	2		
6-019	992-10050-012	S.WASHER 5	2		
6-020.1	990-21060-251	BOLT 6X25	1	-J010350	
6-020	990-51050-203	HEX. HOLE BOLT 5X20	1	N J010351-	
6-021.1	992-10060-012	S.WASHER 6	1	-J010350	
6-021	992-10050-062	S.WASHER 5	1	N J010351-	
6-023	990-51050-103	HEX. HOLE BOLT 5X10	1	N J010351-	
6-024	992-10050-062	S.WASHER 5	1	N J010351-	
6-025	249-0165A-200	SPACER	1	N J010351-	
6-027	993-51035-002	STOP RING C-35 IN	1	D J010351-	

FIG.7 HANDLE



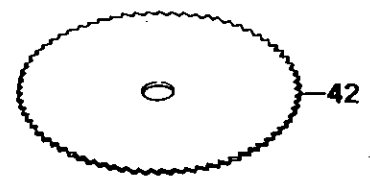
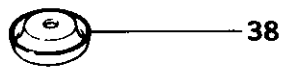
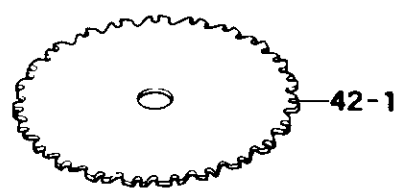
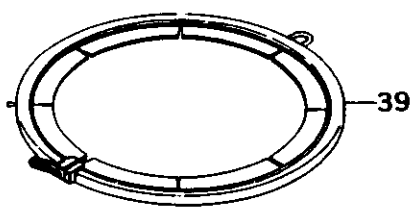
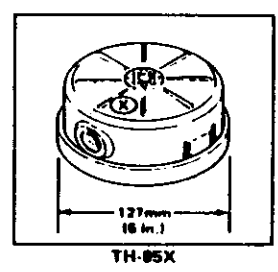
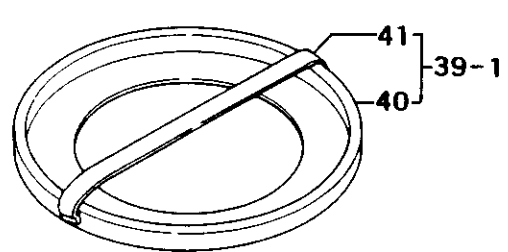
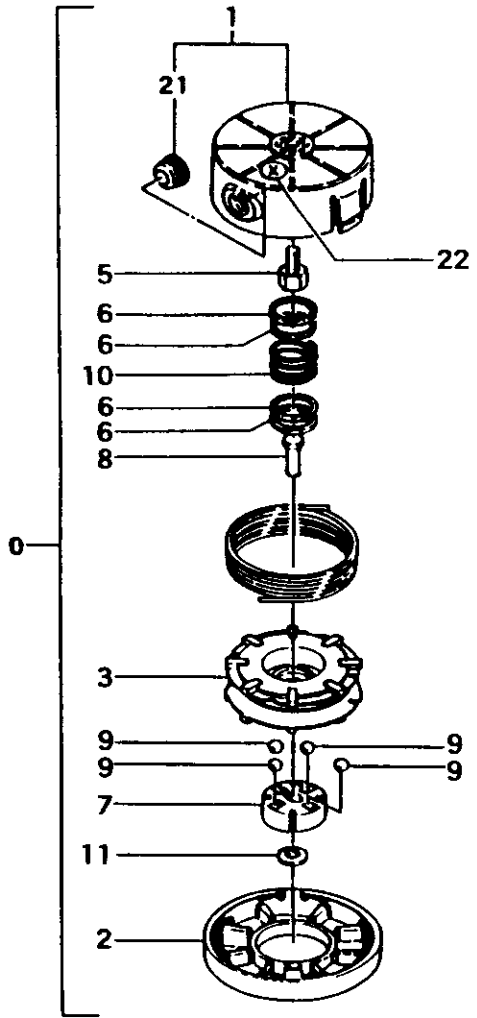
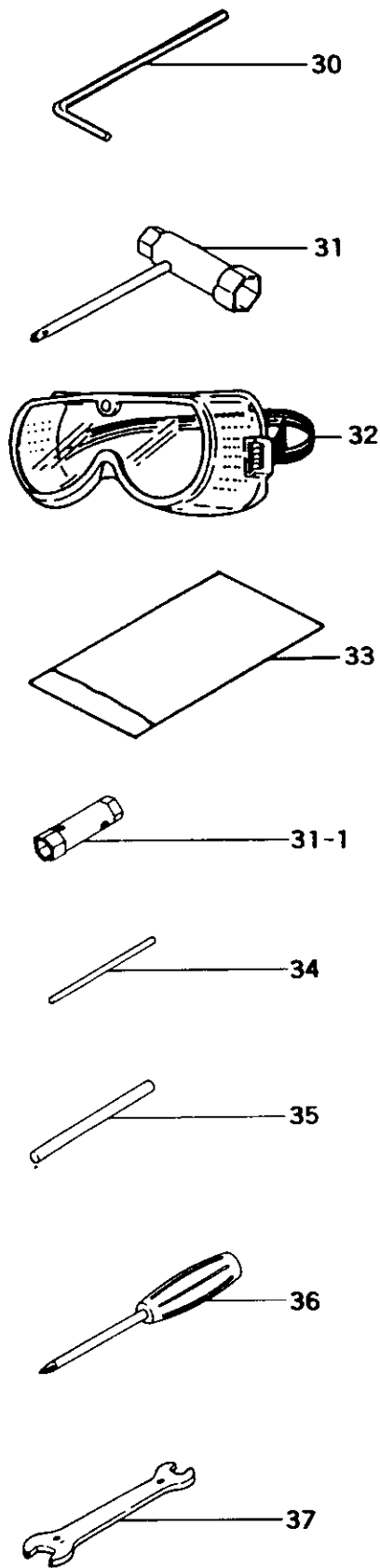
REF. NBR	PART NBR	PART NAME	QTY	SERIAL NBR	REMARKS
7-001	500-33560-200	HANDLE	1		
7-005	343-33411-202	DRIVE SHAFT	1		
7-006	341-33564-800	DRIVE SHAFT PIPE COMP.	1	-J010350	
7-006	341-33685-800	DRIVE SHAFT PIPE COMP.	1	M J010351-	
7-007	347-33411-912	BUSHING ASS'Y	5		
7-009	506-33560-200	HANDLE BRACKET A	1		
7-013	178-33005-800	STOP CORD COMP.	2		
7-015	990-21060-451	BOLT 6X45	2		
7-016	991-01060-011	NUT 6	2		
7-017	992-10060-012	S.WASHER 6	2		
7-018	992-01060-011	WASHER 6	2		
7-030	885-0137M-802	THROTTLE WIRE COMP.	1		
7-031	164-10016-800	PROTECTION TUBE 10X168L	1		
7-041	335-33682-200	LIFTING METAL	1		
7-042	991-01050-011	HEX. NUT 5	1	I -J010350	
7-042	991-01050-041	NUT 5	1	J010351-	
7-043	992-10050-012	S.WASHER 5	1	I -J010350	
7-043	992-10050-062	S.WASHER 5	1	J010351-	
7-044	990-51050-163	HEX. HOLE BOLT 5X16	1		
7-047	746-33564-900	SHOULDER BELT ASSY.KOREAN MAKE	1		
7-048	748-33564-900	HOOK ASS'Y	1		
7-060	870-37003-900	THROTTLE LEVER ASS'Y	1		
7-062	504-37003-200	SHAFT GRIP	1		
7-071	993-42030-081	TAPPING SCREW 3X8	3		
7-072	162-37101-200	STOP SWITCH	1		
7-073	259-37101-200	STOP SWITCH BASE	1		
7-074	262-37101-200	STOP SWITCH SPRING	1		
7-075	177-37101-200	EARTH TERMINAL B	1		
7-076	176-37101-200	EARTH TERMINAL A	1		
7-077	991-86050-000	SELF-LOCK NUT 5	1		
7-078	993-55060-001	STOP RING 6	1		
7-079	994-31050-251	SCREW 5X25	1		
7-080	853-37101-200	LOCK BUTTON SHAFT	1		
7-081	958-37101-200	LOCK BUTTON SPRING	1		
7-082	956-37101-200	LOCK BUTTON	1		
7-083	832-37101-200	RETURN SPRING	1		
7-084	880-37101-200	THROTTLE ARM	1		

FIG.8 GEAR CASE



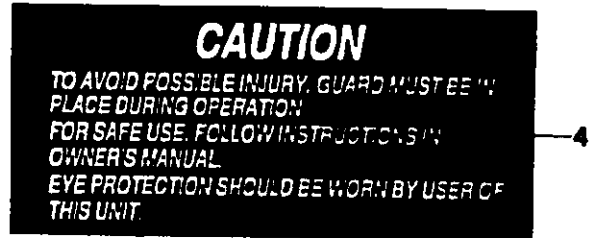
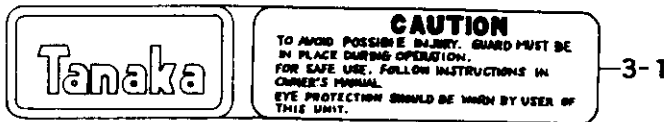
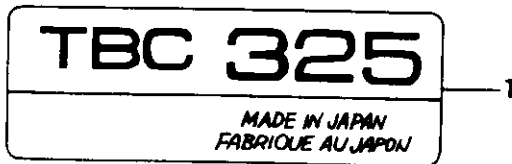
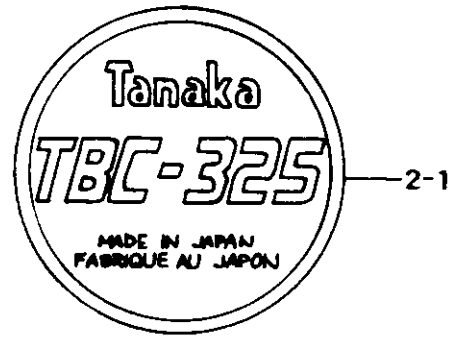
REF. NBR	PART NBR	PART NAME	QTY	SERIAL NBR	REMARKS
8-002	300-37000-911	GEAR CASE ASS'Y	1	-J010350	
8-002	300-37000-920	GEAR CASE ASS'Y	1	J010351-	
8-003	300-33410-211	GEAR CASE	1	-J010350	
8-003	300-33410-220	GEAR CASE	1	J010351-	
8-004	302-37000-200	PINION	1		
8-005	301-33411-200	GEAR	1		
8-006	304-37000-200	GEAR SHAFT	1		
8-007	999-61600-000	BALL BEARING #6000, 26MM/OD	2		
8-008	999-61600-003	BALL BEARING 6000D, 26MM/OD	1		
8-009	999-61600-203	BALL BEARING 6002D, 32MM/OD	1		
8-010	993-51032-002	STOP RING C-32 IN	1		
8-011	993-50010-002	STOP RING C-10 EX	1		
8-012	993-51026-002	STOP RING C-26 IN	1		
8-013	324-33410-201	GEAR CASE WASHER	2		
8-014	990-51050-203	HEX. HOLE BOLT 5X20	2		
8-015	990-23060-121	BOLT 6X12 W/PLUS	2		
8-016	991-01050-011	HEX. NUT 5	2		
8-017	317-33411-201	OILING GASKET	1		
8-020	310-33524-201	CUTTER HOLDER	1	R -J010350	
8-020	310-33524-202	CUTTER HOLDER	1	J010351-	
8-021	311-33411-201	CUTTER HOLDER CAP	1		
8-022	992-29080-000	TOOTHED LOCK WASHER 8 L/H	1		
8-023	312-33411-200	CUTTER FIXING BOLT/L.H.T.	1		
8-024	992-01080-011	WASHER 8	1		
8-030	442-33671-201	SAFETY GUARD BRACKET	1		
8-031	441-37003-801	SAFETY GUARD COMP., METAL	1	R -J010350	
8-031	441-37003-802	SAFETY GUARD COMP., METAL	1	J010351-	
8-032	990-23060-151	BOLT 6X15 W/PLUS	2		
8-033	992-10060-012	S.WASHER 6	2		

FIG.9 TOOLS & NYLON HEAD



REF. NBR	PART NBR	PART NAME	QTY	SERIAL NBR	REMARKS
9-000	783-33440-901	NYLON HEAD ASS'Y (TH-95X)	1	-H102680	
9-000	783-33440-902	NYLON HEAD ASS'Y (TH-95X)	1	H102681-	
9-001	786-33004-801	CUTTING BODY COMP.	1	-H102680	
9-001	786-33004-900	CUTTING BODY ASS'Y	1	H102681-	
9-002	789-33004-201	BODY CAP	1		
9-003	787-33004-202	CORD REEL	1		
9-005	314-33670-200	8X1.25 L/H BOLT (GOLD)	1		
9-006	792-33004-200	REEL WASHER	4		
9-007	790-33004-200	REEL SLIDER	1		
9-008	791-33004-200	REEL SLIDER HOOK	1		
9-009	673-35600-200	STEEL BALL 5/16"	4		
9-010	793-33440-200	REEL SPRING (GOLD)	1		
9-011	358-02103-200	WASHER	1		
9-021	788-33071-200	CORD GUIDE	2	N H102681-	
9-022	926-33440-200	IDENTIFICATION MARK. X	1		
9-030	813-20000-200	HEX. WRENCH 4	1		
9-031, 1	826-20000-200	BOX SPANNER 17X19	1	R -J010350	
9-031	826-20000-800	COMBI BOX WRENCH 17X19	1	J010351-	
9-032	540-33671-900	GOGGLE ASS'Y	1		
9-033	948-39907-200	TOOL BAG	1		
9-034	752-33900-200	LOCKING BAR	1	D J010351-	
9-035	951-20000-200	HANDLE 8X120	1	D J010351-	
9-036	862-20000-200	PLUS DRIVER 4	1	D J010351-	
9-037	801-20000-200	SPANNER 8X10	1		
9-038	316-33410-200	BOLT PROTECTION COVER	1		
9-039, 1	615-33411-900	CUTTER COVER ASS'Y	1	-J010350	
9-039	615-37304-200	CUTTER COVER	1	P J010351-	
9-040	615-33411-200	CUTTER COVER	1	D J010351-	
9-041	616-33411-200	CUTTER COVER BAND	1	D J010351-	
9-042, 1	812-33682-200	SAW BLADE 225X22T	1	-J010350	
9-042	809-33682-200	STEEL BLADE, 80X255	1	N J010351-	

FIG.10 MARKS



REF. NBR	PART NBR	PART NAME	QTY	SERIAL NBR	REMARKS
10-001.1	929-0137R-201	SYMBOL MARK	1	-J010350	
10-001	906-33682-200	NAME PLATE	1 N	J010351-	
10-002.1	906-43670-230	NAME PLATE	1	-J010350	
10-002	950-37900-200	PROFORCE MARK A	1 N	J010351-	
10-003.1	929-33576-201	SYMBOL MARK	1	-J010350	
10-003	951-37301-200	PROFORCE MARK B	1 N	J010351-	
10-004	919-37701-200	CAUTION MARK	1 N	J010351-	

Free Manuals Download Website

<http://myh66.com>

<http://usermanuals.us>

<http://www.somanuals.com>

<http://www.4manuals.cc>

<http://www.manual-lib.com>

<http://www.404manual.com>

<http://www.luxmanual.com>

<http://aubethermostatmanual.com>

Golf course search by state

<http://golfingnear.com>

Email search by domain

<http://emailbydomain.com>

Auto manuals search

<http://auto.somanuals.com>

TV manuals search

<http://tv.somanuals.com>