

Tanaka Illustrated Parts Manual

Model Number:

TBC-355B

BRUSHCUTTER, 34cc

P/N 39885

Rev 000

Date 5-17-05

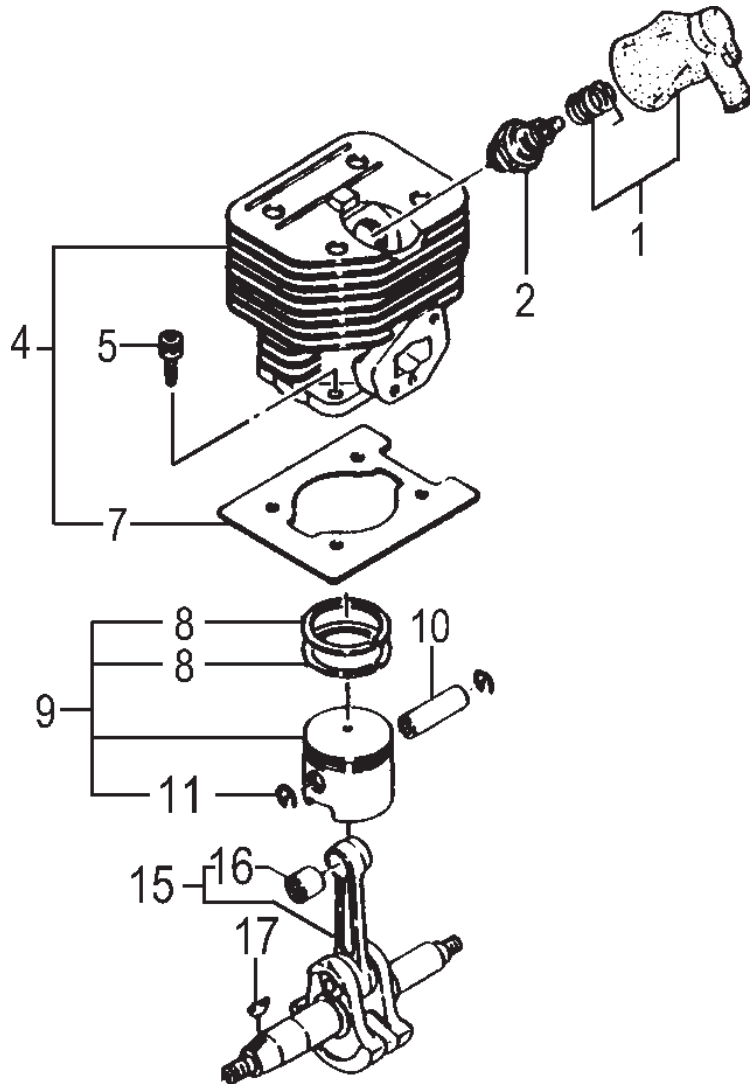


Supplier To The Outdoor Power Equipment Industry

ISM, Inc. • 1028 4th Street SW • Auburn, WA 98001 • Phone: (253) 333-1200 • Fax: (253) 333-1212

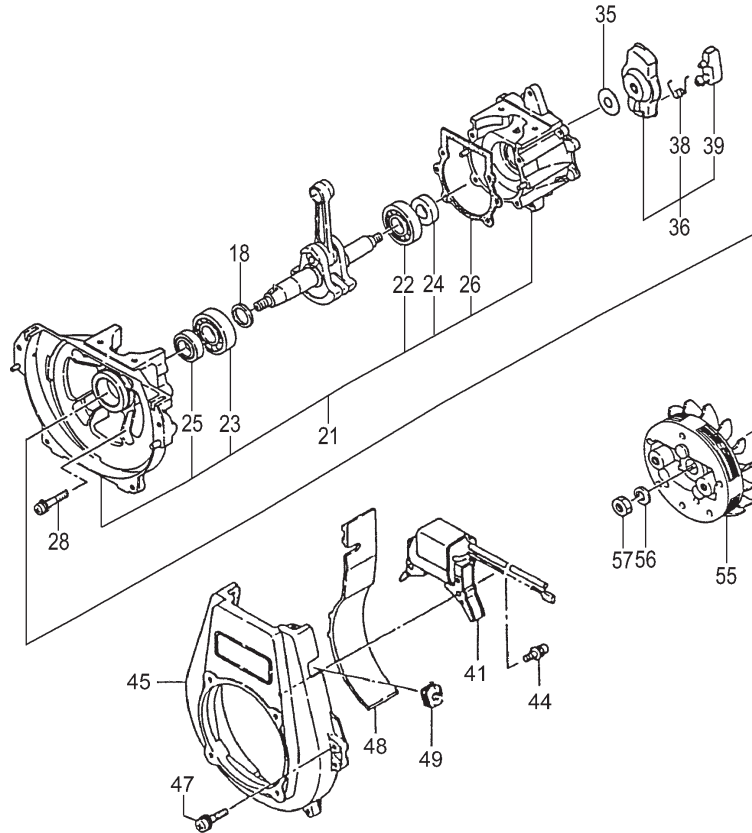
www.tanaka-usa.com

custsvc@tanaka-ism.com

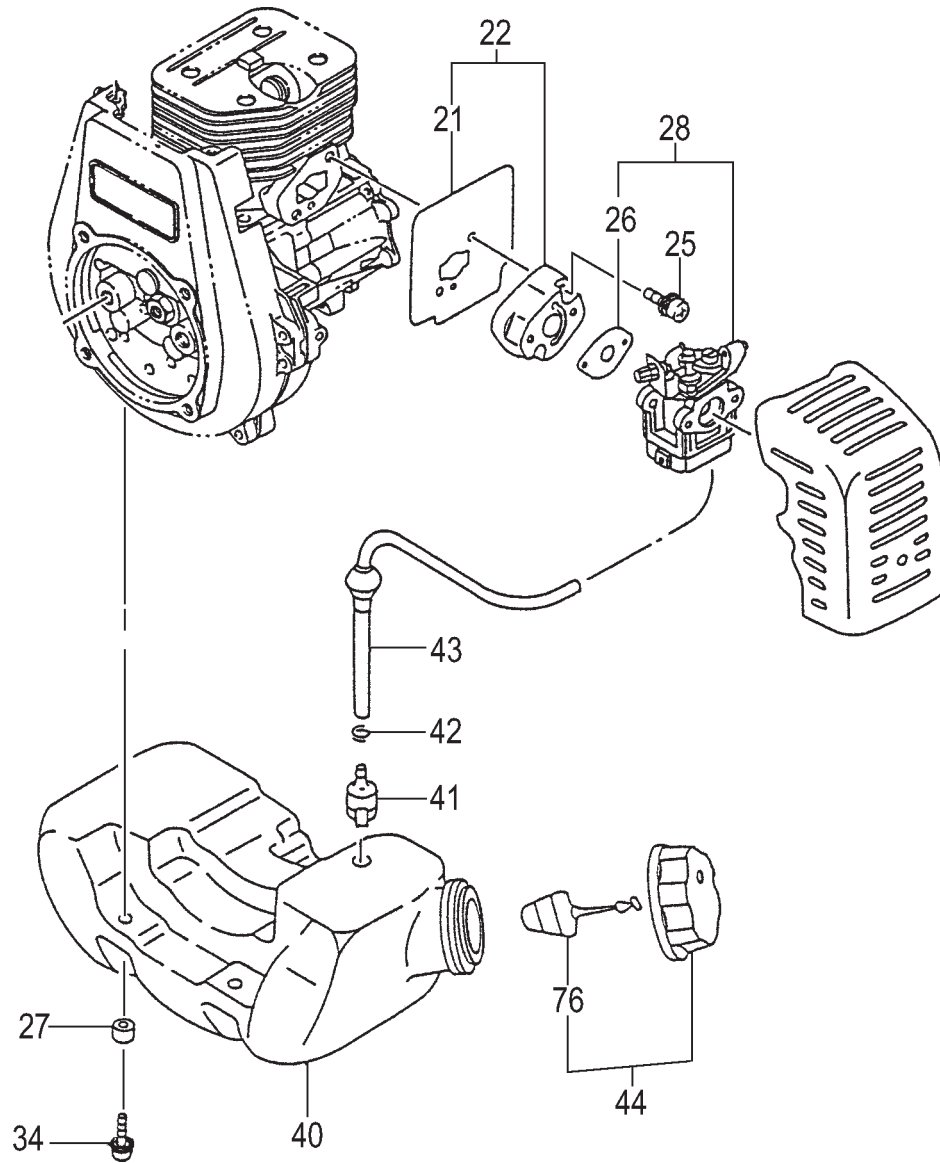


ITEM	PART NUMBER	DESCRIPTION	QTY	COMMENTS
1-1	1570097A900	CAP, SPARK PLUG, ASS'Y	1	
1-2	01802233200	SPARK PLUG	1	
1-4	0010143C90	CYLINDER SET	1	Includes gasket
1-5	99461050184	BOLT, HEX, 5X18, S	4	
1-7	01701380200	GASKET, CYLINDER	1	
1-8	04104000200	RING, PISTON	2	
1-9	0300143C90	PISTON SET	1	Includes piston rings and circlips
1-10	03701400200	PIN, PISTON	1	
1-11	03900000201	CIRCLIP, PISTON PIN	2	
1-15	0460135082	CRANKSHAFT	1	
1-16	99962091325	BEARING, NEEDLE, F-910	1	
1-17	06810100200	KEY, WOODRUFF, 3X13X4.5	1	

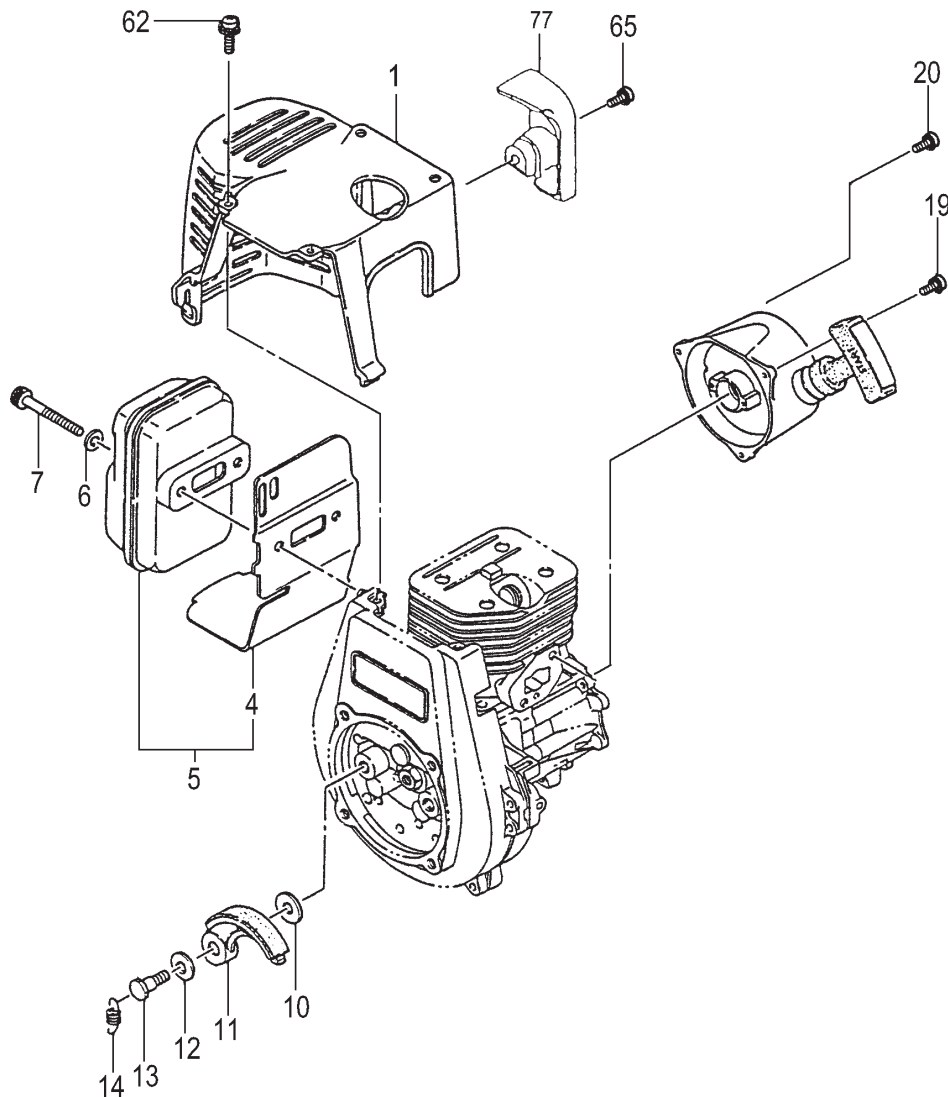
CRANKCASE & FLYWHEEL • FIGURE 2



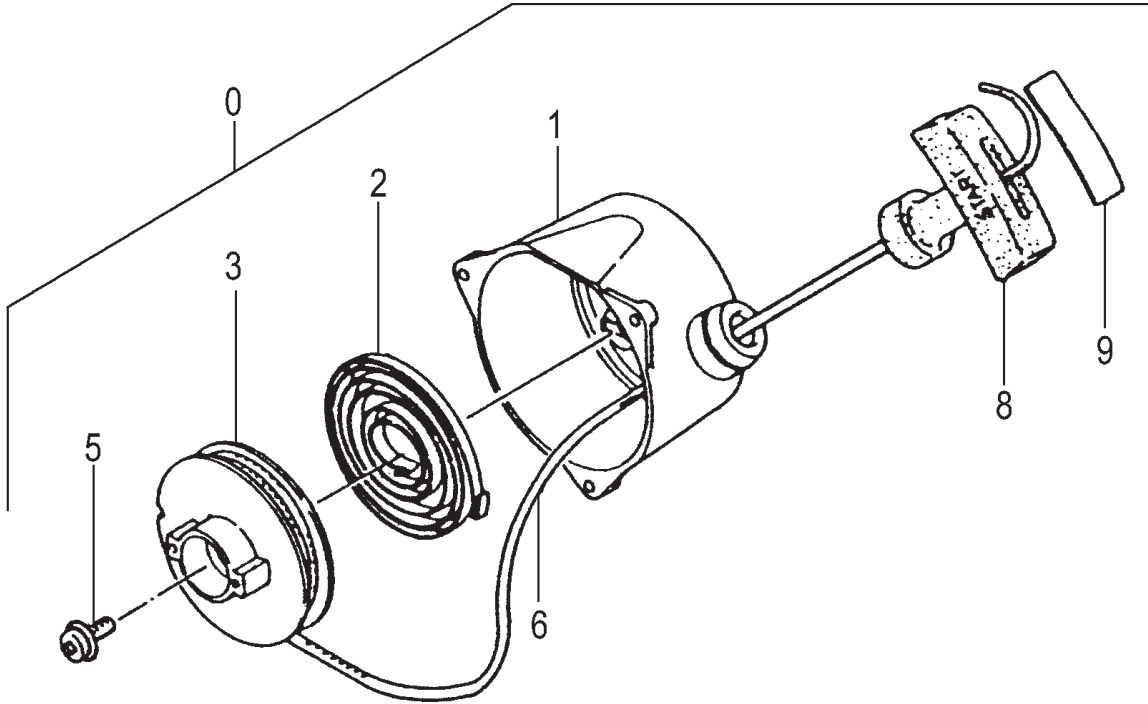
ITEM	PART NUMBER	DESCRIPTION	QTY	COMMENTS
2-18	07102007200	SHIM,15.2X20X.05	1	
2-18	07102007210	SHIM,15.2X20X.10	1	
2-18	07102007220	SHIM,15.2X20X.15	1	
2-18	07111600230	SHIM,0.20	1	
2-18	07111600240	SHIM,0.30	1	
2-21	0720130A91	CRANKCASE ASSY	1	Includes gasket, seals and bearings
2-22	99961600200	BEARING,BALL,#6002	1	
2-23	99961620200	BEARING,BALL,#6202	1	
2-24	99966122240	SEAL,OIL	1	
2-25	99966152564	SEAL,OIL,UD15257	1	
2-26	09001380200	GASKET,CRANKCASE	1	
2-28	99461050254	BOLT,HEX HOLE,5X25S	4	
2-35	35910112203	WASHER,CLUTCH B	1	
2-36	7980166R90	PULLEY,STARTER,ASS'Y	1	
2-38	7900162V200	SPRING,PAWL,STARTER	1	
2-39	7880138A20	PAWL,STARTER	1	
2-41	1672196080	COIL,IGNITION	1	
2-44	99416040226	SCREW,WS,4X22	2	
2-45	1120144221	CASE,FAN,TBC-355B	1	
2-47	99414050181	SCREW,S,5X18	4	
2-48	13201300200	PAN,FLASH	1	
2-49	2030604A202	GROMMET	1	
2-55	1552173380	ROTOR,MAGNETO	1	
2-56	99201080011	WASHER,8	1	
2-57	99101080011	NUT,8	1	



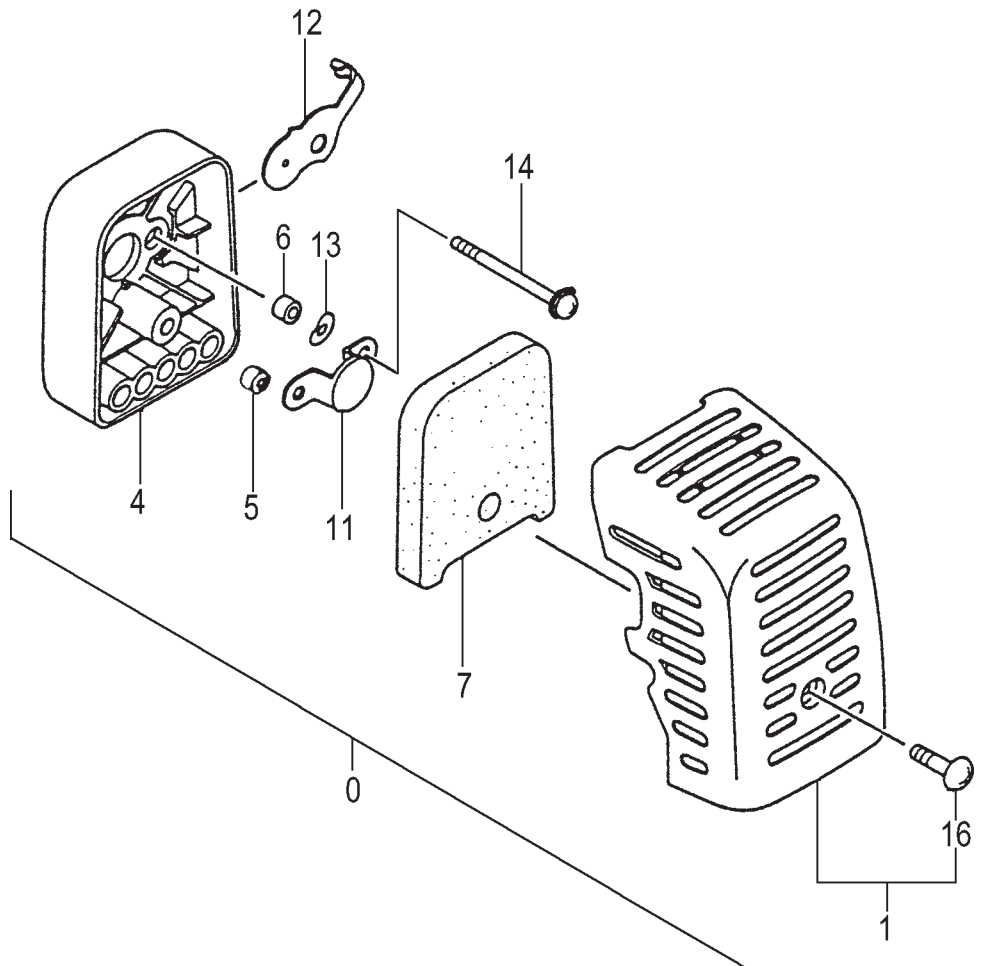
ITEM	PART NUMBER	DESCRIPTION	QTY	COMMENTS
3-21	4030143C21	GASKET,INLET MANIFOLD	1	
3-22	4040143C90	INSULATOR,SET	1	Includes gasket
3-25	99416050221	SCREW,5X22/WS	2	
3-26	4020602K21	GASKET,CARBURETOR	1	
3-27	65900801200	COLLAR	3	
3-28	4550143C90	CARBURETOR SET	1	Includes gasket
3-34	99415050185	SCREW,5X18	3	
3-40	5910130A20	TANK,WHITE,TC-355	1	
3-41	67501630900	FILTER,FUEL	1	
3-42	68000731201	CLIP 6.3	1	
3-43	2230622U900	PIPE,FUEL,ASS'Y	1	
3-44	5950144D90	CAP,TANK,BLACK	1	
3-76	62632810200	CHAIN,TANK CAP	1	



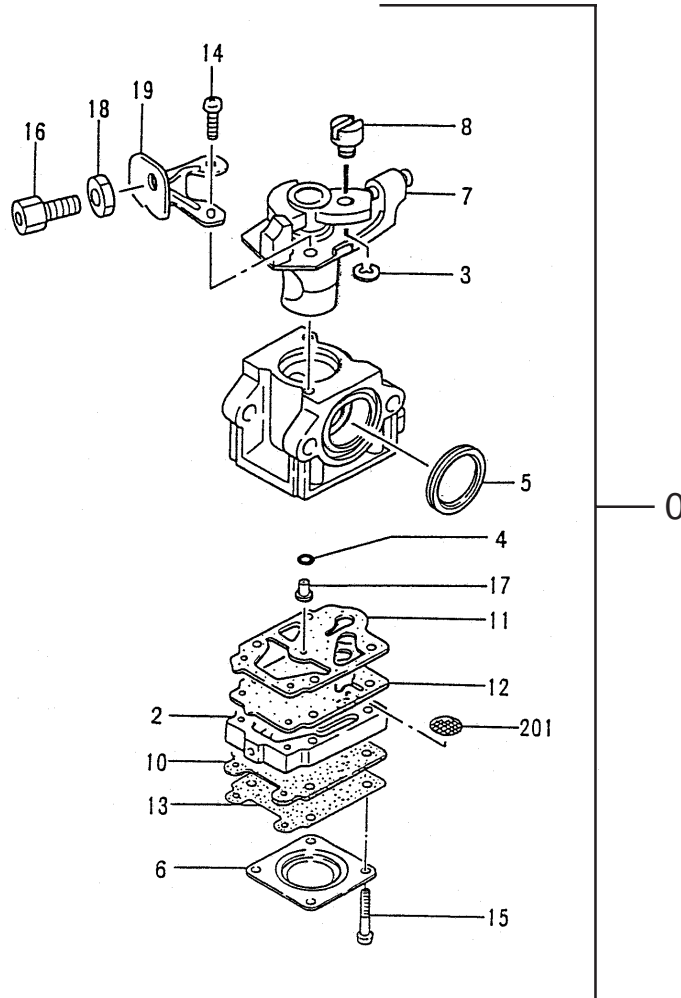
ITEM	PART NUMBER	DESCRIPTION	QTY	COMMENTS
4-1	7380138021	PROTECTOR,MUFFLER	1	
4-4	1330138021	SHIELD,HEAT	1	
4-5	7040143C90	MUFFLER SET	1	Includes gasket
4-6	99201060011	WASHER,6	2	
4-7	99053060603	BOLT,HEX,6X60	2	
4-10	35910112203	WASHER,CLUTCH B	2	
4-11	2900138A80	SHOE,CLUTCH	2	
4-12	35810112201	WASHER,CLUTCH	2	
4-13	3570136U200	BOLT,STEP,CLUTCH	2	
4-14	3420138A20	SPRING,CLUTCH	1	
4-19	99416040161	SCREW,4x16,WS	2	
4-20	99416040251	SCREW,4X25/WS	1	
4-62	99415040121	SCREW,PS,4X12	2	
4-65	99415050251	SCREW,5X25PS	1	
4-77	1320130A20	DEFLECTOR,AIR	1	



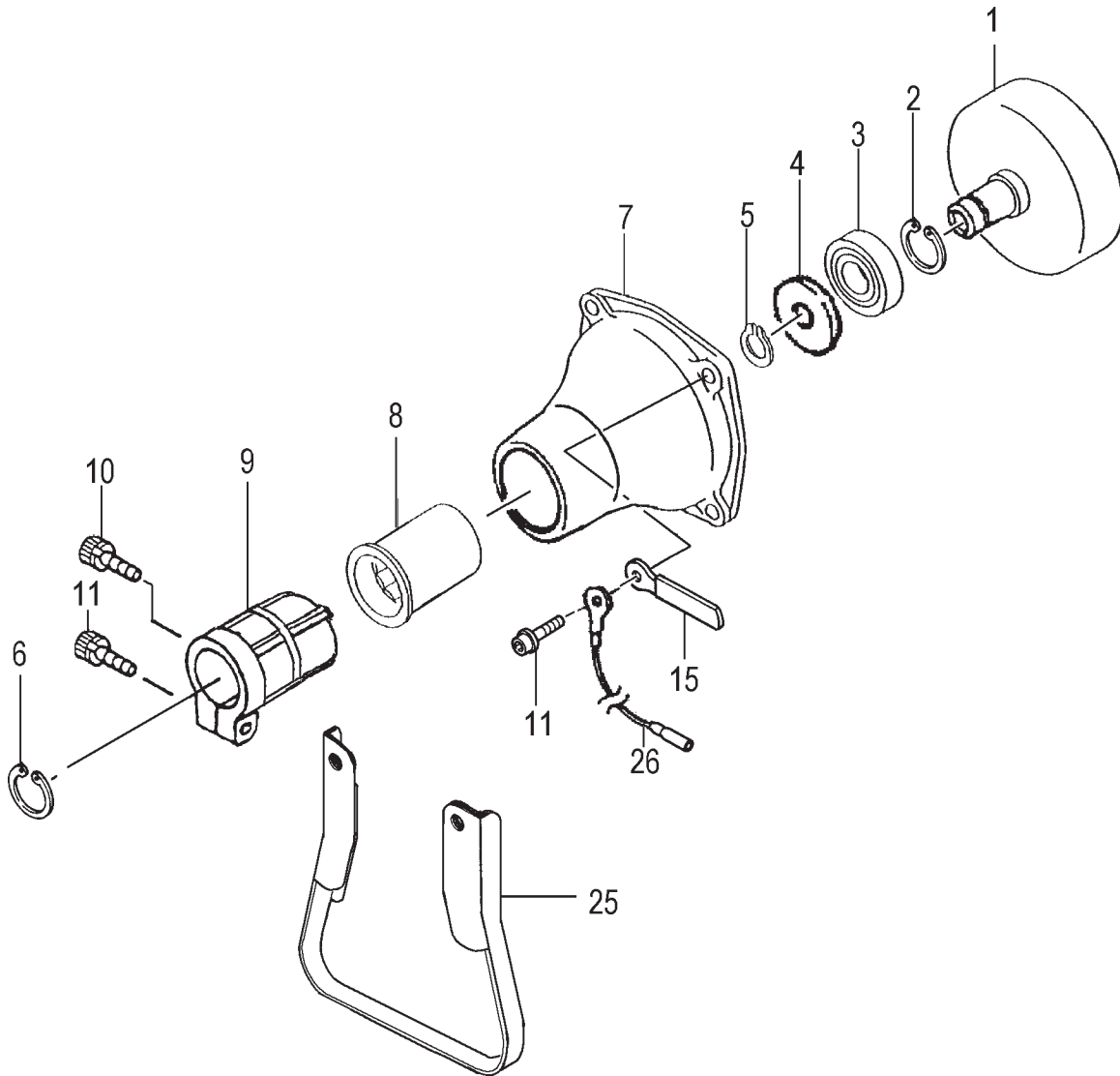
ITEM	PART NUMBER	DESCRIPTION	QTY	COMMENTS
5-0	7620136U901	STARTER,RECOIL ASS'Y	1	
5-1	7720136U80	BODY,STARTER	1	
5-2	7790136U200	SPRING,RECOIL	1	
5-3	7740162V200	REEL,STARTER ROPE	1	
5-5	8390201020	SCREW,SET	1	
5-6	7830136U200	ROPE,STARTER	1	
5-8	78501620200	HANDLE,STARTER	1	
5-9	79501620200	SEAL,HANDLE KNOB	1	



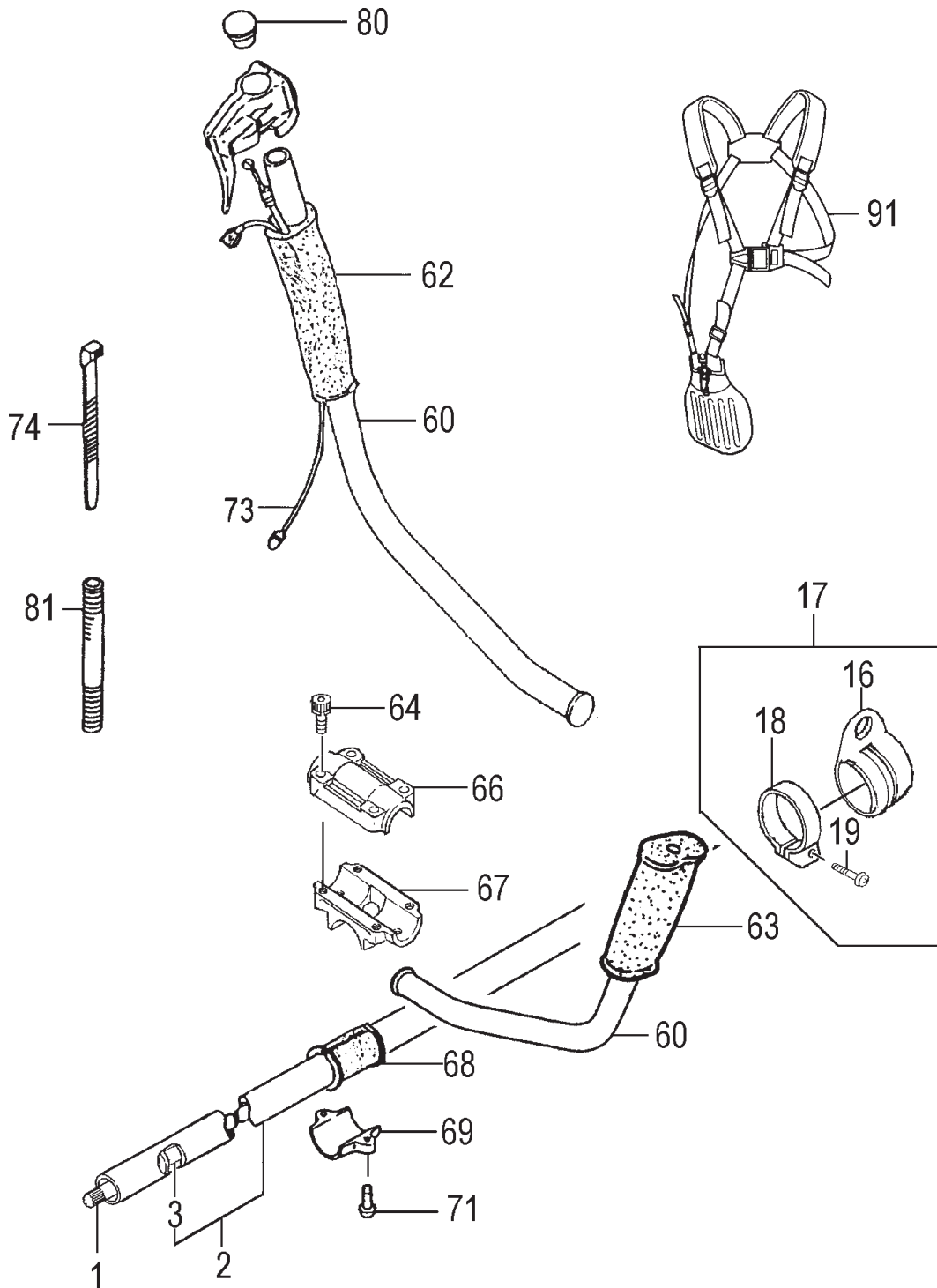
ITEM	PART NUMBER	DESCRIPTION	QTY	COMMENTS
6-0	4100138A93	CLEANER ASSY	1	
6-1	4520138091	COVER,CLEANER,ASSY	1	
6-4	4230138082	BODY,CLEANER	1	
6-5	4530637C200	COLLAR	1	
6-6	4700138020	COLLAR	1	
6-7	4460138021	FILTER,AIR	2	
6-11	47601700200	BOARD,BLOW OVER CHECK	1	
6-12	5280138021	VALVE,CHOKE	1	
6-13	99204080030	WASHER,8	1	
6-14	99414050571	SCREW,5X57,S	2	
6-16	3800637C200	BOLT,CLEANER COVER	1	



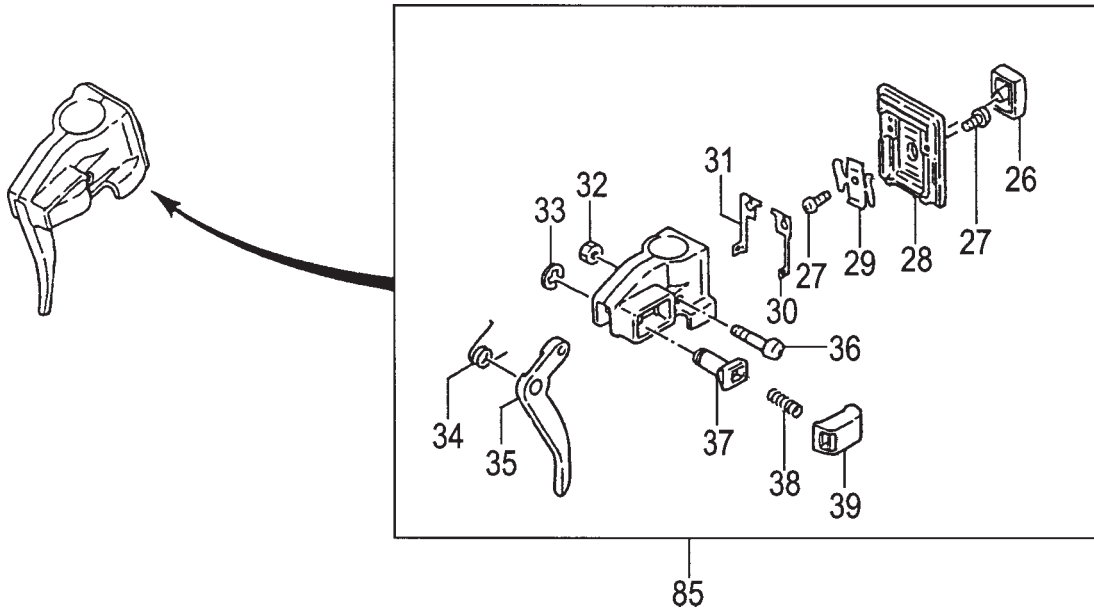
ITEM	PART NUMBER	DESCRIPTION	QTY	COMMENTS
7-0	4550143C90	CARBURETOR SET	1	Includes gasket
7-2	5752515280	BODY,PUMP	1	
7-3	48925100200	RING,STOP	1	
7-4	55025100200	O-RING	1	
7-5	4310634C200	GASKET,CLEANER	1	
7-6	47625004200	COVER,DIAPHRAGM	1	
7-7	48825120900	VALVE,THROTTLE	1	
7-8	53925120200	SWIVEL	1	
7-10	~ ~ ~	GASKET,DIAPHRAGM	1	~ Contained in Carb Repair Kit
7-11	~ ~ ~	GASKET,PUMP	1	P/N 650-25140-900
7-12	~ ~ ~	DIAPHRAGM,PUMP	1	(not available individually)
7-13	~ ~ ~	DIAPHRAGM,METERING	1	
7-14	51425100200	SCREW,THROTTLE SET	2	
7-15	54825101200	SCREW,SET	4	
7-16	61425137200	ADJUSTER,CABLE	1	
7-17	5992000W430	JET,MAIN,#43	1	
7-18	99101060013	NUT,6	1	
7-19	54425120200	STAY,ADJUST,CABLE	1	
7-201	57825007200	SCREEN,INLET	1	



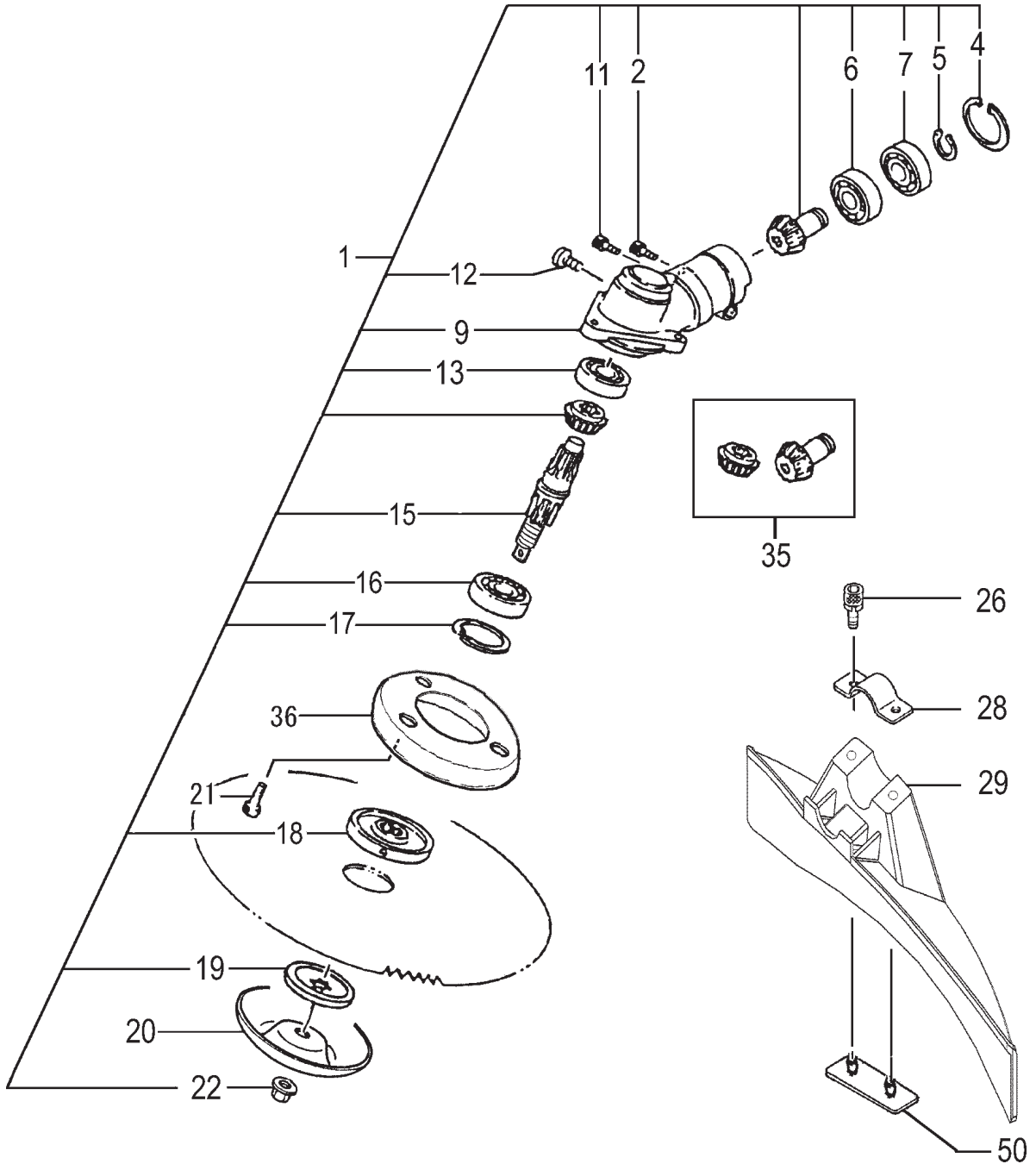
ITEM	PART NUMBER	DESCRIPTION	QTY	COMMENTS
8-1	2893749180	SHAFT,CLUTCH	1	
8-2	99351032002	RING,STOP,C-32 IN	1	
8-3	99961600201	BEARING,BALL,#6002ZZ	1	
8-4	3303749120	WASHER	1	
8-5	99350015002	RING,STOP,C-15 EX	1	
8-6	99353045002	RING,STOP,C-15,OUTER	1	
8-7	3313749120	CASE,CLUTCH	1	
8-8	5993749120	CUSHION	1	
8-9	3603749120	HOLDER,PIPE	1	
8-10	99436050101	SCREW,5X10WS	1	
8-11	99461060304	BOLT,HEX,6x30/S	5	
8-15	19805015800	CLAMP,CORD	1	
8-25	7393749120	STAND	1	
8-26	2743749180	CORD	1	



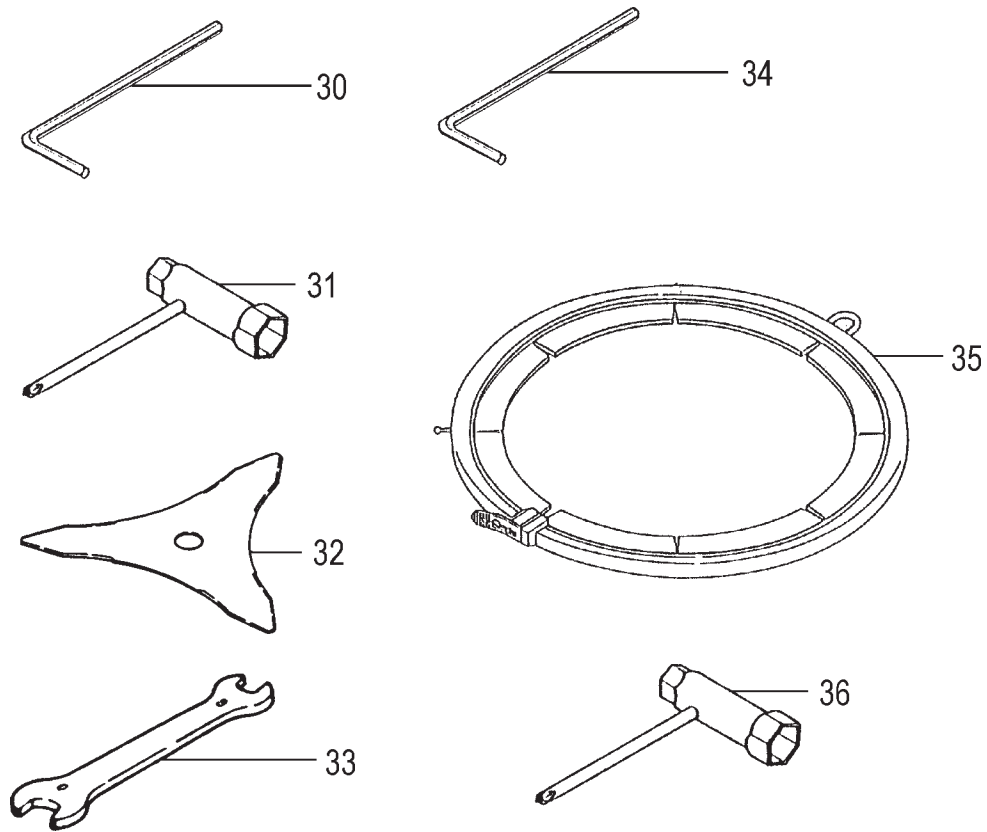
ITEM	PART NUMBER	DESCRIPTION	QTY	COMMENTS
9-1	3433749120	SHAFT,DRIVE	1	
9-2	3413749180	PIPE,DRIVE SHAFT	1	
9-3	3473749190	BUSHING	5	
9-16	3353836080	HANGER	1	
9-17	3353825390	RING,STRAP	1	
9-18	3373836080	HANGER BRACKET	1	
9-19	99416050252	SCREW,5X25WS	1	
9-60	5003749120	HANDLE,L & R	1	
9-62	5033754020	GRIP,RIGHT	1	
9-63	1653759020	GRIP,HANDLE	1	
9-64	99461050254	BOLT,HEX HOLE,5X25S	4	
9-66	5063844720	BRACKET,HANDLE,A	1	
9-67	5073844720	BRACKET,HANDLE,B	1	
9-68	5103749120	CUSHION	1	
9-69	5083844720	BRACKET,HANDLE,C	1	
9-71	99461050304	BOLT,HEX,5X30S	2	
9-73	17837108800	CORD,STOP	1	
9-74	1983385120	CLAMP,WIRE	2	
9-79	8853780580	WIRE,THROTTLE	1	
9-80	4993722520	GROMMET,PIPE	1	
9-81	1641007001	TUBE,PROTECTION,10x700	1	
9-91	746291	SHOULDER HARNESS ASSY	1	



ITEM	PART NUMBER	DESCRIPTION	QTY	COMMENTS
10-26	1623710120	SWITCH,STOP	1	
10-27	99342030081	SCREW,TAPPING,3X8	3	
10-28	25937101200	BASE,STOP SWITCH	1	
10-29	26237101200	SPRING,STOP SWITCH	1	
10-30	17737101200	TERMINAL,EARTH B	1	
10-31	17637101200	TERMINAL,EARTH A	1	
10-32	99186050000	NUT,LOCK,5	1	
10-33	99355060001	RING,STOP,6	1	
10-34	83237101200	SPRING,RETURN	1	
10-35	88037101200	LEVER,THROTTLE	1	
10-36	99431050251	SCREW,S.,5X25	1	
10-37	85337101200	SHAFT,LOCK BUTTON	1	
10-38	95837101200	SPRING,LOCK,BUTTON	1	
10-39	95637101200	BUTTON,LOCK	1	
10-85	87037101900	LEVER,THROTTLE ASS'Y	1	



ITEM	PART NUMBER	DESCRIPTION	QTY	COMMENTS
11-1	3003749190	GEAR CASE ASSY	1	
11-2	99422060301	BOLT,6x30PS	1	
11-4	99351026002	RING,STOP,IN,C-26	1	
11-5	99350010002	RING,STOP,C-10 EX	1	
11-6	99961600000	BEARING,BALL,#6000	1	
11-7	99961600002	BEARING,BALL,#6000Z	1	
11-9	3003749120	GEAR CASE	1	
11-11	99415050121	SCREW,5X12/PS	1	
11-12	99021060080	BOLT,6x8	1	
11-13	99961629000	BEARING,BALL,#629	1	
11-15	3043330M20	SHAFT,GEAR	1	
11-16	99961620104	BEARING,BALL,#6201DD	1	
11-17	99351032002	RING,STOP,C-32 IN	1	
11-18	3103330M20	HOLDER,CUTTER	1	
11-19	3113330M20	CAP,CUTTER HOLDER	1	
11-20	3083330M20	COVER,PROTECTION	1	
11-21	99424050101	BOLT,5x10S	1	
11-22	3133330M20	FIXING NUT	1	
11-26	99481060254	SCREW,HEX HOLE 6X25	2	
11-28	4423825320	BRACKET,COVER	1	
11-29	4413825320	GUARD,SAFETY	1	
11-35	3013749100	GEAR-PINION SET	1	
11-36	3033330M20	COVER,GEAR CASE	1	
11-50	4453825320	HOLDER,SAFETY GUARD	1	



ITEM	PART NUMBER	DESCRIPTION	QTY	COMMENTS
12-30	8132901460	WRENCH,HEX 14	1	
12-31	8292000080	SPANNER,COMBI,13X19	1	
12-32	8103749120	BLADE,10x3 TOOTH	1	
12-33	8012937491	SPANNER,8x10	1	
12-34	8142937491	WRENCH,HEX,5	1	
12-35	6153749120	COVER,CUTTER	1	
12-36	8262937491	WRENCH,COMBI,17x19	1	



ITEM	PART NUMBER	DESCRIPTION	QTY	COMMENTS
13-1	9060143J20	DECAL,TBC-355B	1	
13-2	92337400200	DECAL	1	

Free Manuals Download Website

<http://myh66.com>

<http://usermanuals.us>

<http://www.somanuals.com>

<http://www.4manuals.cc>

<http://www.manual-lib.com>

<http://www.404manual.com>

<http://www.luxmanual.com>

<http://aubethermostatmanual.com>

Golf course search by state

<http://golfingnear.com>

Email search by domain

<http://emailbydomain.com>

Auto manuals search

<http://auto.somanuals.com>

TV manuals search

<http://tv.somanuals.com>