

Tanaka[®]

Parts Catalog



Brush Cutter

Model: TBC-4110

Part # 27121 12-15-96

TBC-4110

OPTIONS AND ACCESSORIES

NYLON LINE



- 746157 .105, Box, 50 ft.
- 746161 .105, 1/2 lb. Box, 110 ft
- 746162 .130, 1/2 lb. Box, 75ft.
- 746166 .105, 1 lb. Box, 235 ft.
- 746167 .130, 1 lb. Box, 150 ft.
- 746170 .105, 3 lb. spool, 705 ft.
- 746171 .130, 3 lb. spool, 450 ft.
- 746174 .105, 5 lb. spool, 1175 ft.
- 746175 .130, 5 lb. spool, 750 ft.

SEMI-AUTO HEAD



746153 PNH-180

Parts List

ET-1201	Body
ET-1206	Cap
ET-1225	Adapter
ET-1205	Spool
ET-1207	Eyelet
ET-1208	Spring
ET-1209	Bump Disk

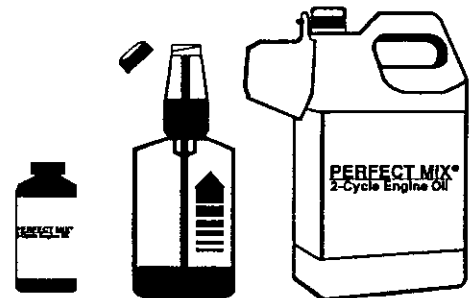
ALUMINUM MANUAL HEAD



PCH-100
(746180)

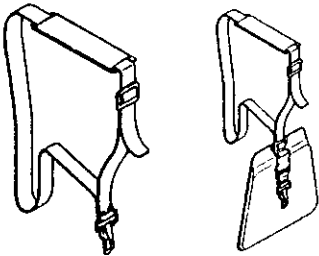
PCH-300
(746190)

PERFECT MIX® 2-Cycle Engine Oil



- 700109 2.8 oz. Bottle, 1 Gallon Size (24")
- 700108 16 oz. Self-measuring Bottle (24")
- 700110 1 Gallon Jug Commercial Size (6")
- * Case Quantity

SHOULDER STRAPS



PSS-175

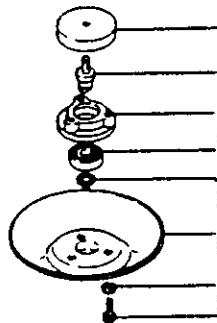
SS-250

BLADES



- 746105 Weed Blade, 10"X4T
- 746106 Weed Blade, 10"X8T
- 746108 Saw Blade, 10"X80T
- 746192 Carbide Blade, 9"X36T

BLADE SAFETY DISK



BSD-100

BSD-100 Parts List

- 603-33411-200 Cover, disk
- 604-33411-204 Bolt, disk fixing
- 602-33411-201 Metal, disk
- 999-66100-203 Bearing, ball
- 993-50015-002 Ring, stop
- 601-33411-201 Disk, safety
- 992-10060-012 Washer,s, 6mm
- 990-21060-151 Bolt, 6x15mm

MANUALS / CATALOGS

- 27117 Owner's Manual
- 27121 Parts Catalog

SPECIAL TOOLS

- | | | | |
|---------------|--------------------|---------------|-----------------|
| 006-29326-000 | Flywheel Remover | 020-29371-140 | Coil gap gauge |
| 009-29326-000 | Piston Pin Remover | 001-29000-000 | Tachometer |
| 015-29371-000 | Gear Shaft Remover | 070-2000W-500 | Pressure Tester |
| 016-29371-000 | Pinion Remover | 070-2000W-501 | Carb. Tool Kit |



FIG. 1 ENGINE

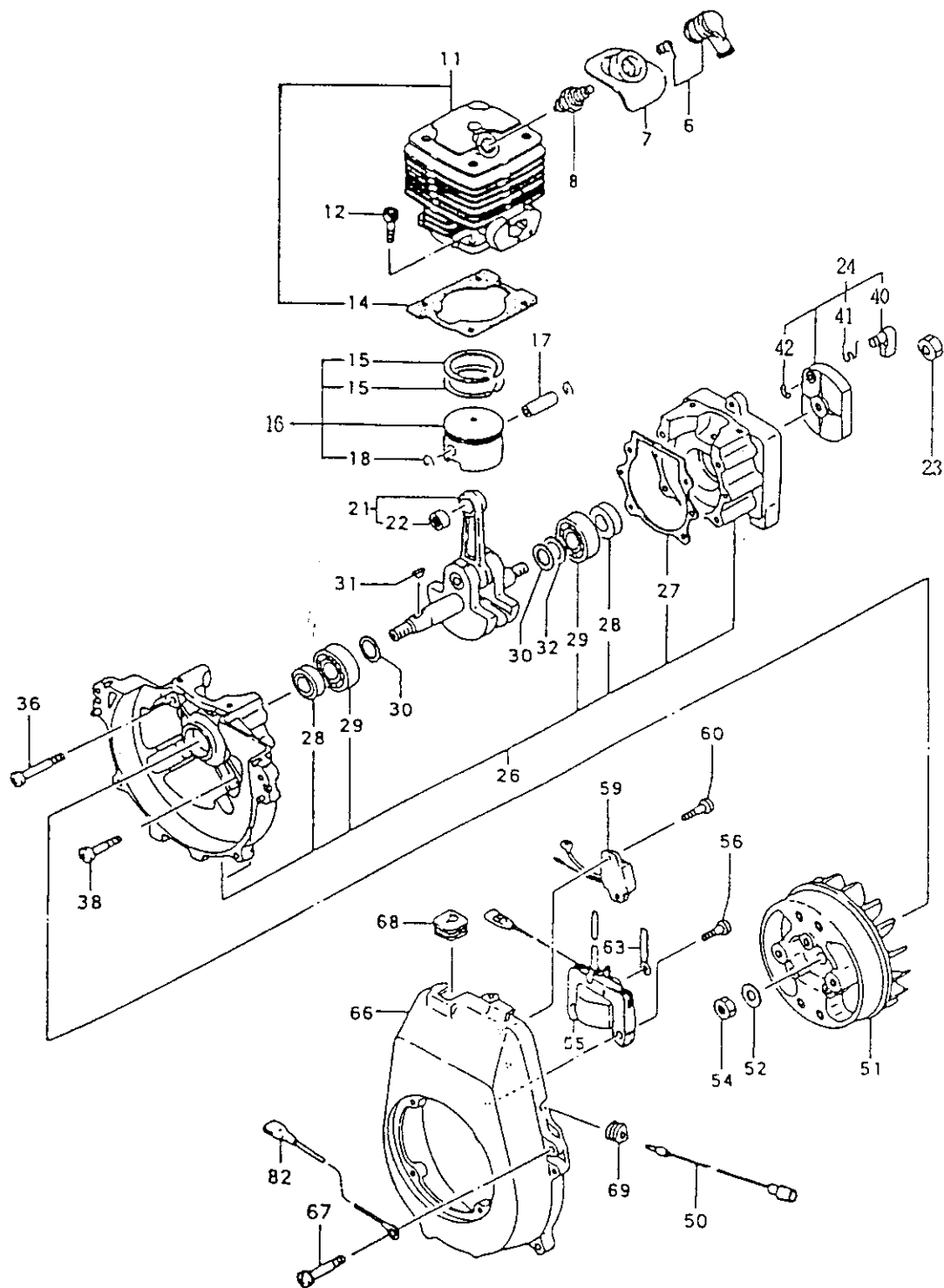


FIGURE 1

TBC-4110 PARTS LISTING

REF.	PART NO.	PART DESCRIPTION	Q	C	S	SERIAL NO.	REMARKS
6	157-11666-900	CAP,SPARK PLUG ASS'Y	1		C		
7	255-04200-200	COVER,SPARK PLUG,RUBBER	1		C		
8	018-01805-200	PLUG,SPARK	1		B		
11	001-0423Z-90	CYLINDER,TBC-4110	1		B		
12	994-61050-184	BOLT,HEX,5X18,S	4		C		
14	017-04230-20	GASKET,CYLINDER	1		C		
15	041-04050-200	RING,PISTON	2		A		
16	030-0423Z-90	PISTON SET	1		A		
17	037-01000-20	PIN,PISTON	1		D		
18	039-05004-200	CIRCLIP,PISTON PIN	2		B		
21	046-04200-80	CRANKSHAFT	1		D		
22	999-62101-004	BEARING,NEEDLE,F1010B	1		B		
23	991-11100-013	NUT,10	1		C		
24	798-04220-90	PAWL,STARTER ASS'Y	1		B		
26	072-04203-90	CRANKCASE,ASSY	1		D		Includes bearings, seals & gasket
27	090-04200-210	GASKET,CRANKCASE	1		D		
28	999-66152-511	SEAL,OIL,#VE15X25X7	2		A		
29	999-61620-200	BEARING,BALL,#6202	2		B		
30	070-02401-201	WASHER,CRANKSHAFT 15X22	2		D		
31	068-02000-200	KEY,WOODRUFF,3X13X5	1		D		
32	071-02007-200	SHIM,15.2X20X.05	1		D		
32	071-02007-210	SHIM,15.2X20X.10	1		D		Shims are "as needed" to obtain correct c/s side clearance.
32	071-02007-220	SHIM,15.2X20X.15	1		D		
32	071-11600-230	SHIM,16X21X.20	1		D		
32	071-11600-240	SHIM,16X21X.30	1		D		
36	994-14060-451	SCREW 6x45/S	2		D		
38	994-14060-301	SCREW,6X30/S	2		D		
40	788-0162V-20	PAWL,STARTER	1		C		
41	790-0162V-200	SPRING,PAWL,STARTER	1		D		
42	993-55050-000	RING,STOP,5	1		D		
50	178-0423Q-80	WIRE,GROUND	1		C		
51	155-20520-80	ROTOR,MAGNETO	1		D		
52	992-00100-011	WASHER,10	1		D		
54	991-11100-011	NUT,10	1		C		
55	167-20505-80	COIL,IGNITION	1		C		
56	994-14050-181	SCREW,S,5X18	3		D		
58	992-00050-011	WASHER,SMALL,5	3		C		
59	159-20505-800	IGNITOR	1		C		
60	994-15050-141	SCREW,5X14/PS	2		D		

* Indicates the part is included in a kit or assembly and is not available individually. Q=Quan. used C=Interchangeability S=Stocking code: A-Fast moving B=Med. fast C=Med. move D=Slow move E=N.L.A. F=Superceded or replaced by a new part

FIGURE 1 cont.

TBC-4110 PARTS LISTING

REF.	PART NO.	PART DESCRIPTION	Q	C	S	SERIAL NO.	REMARKS
63	198-05015-800	CLAMP,CORD	1		C		
66	112-04230-20	CASE,FAN	1		D		
67	994-14060-202	SCREW,6X20S	4		D		
68	203-0604A-202	GROMMET	1		B		
69	203-06000-200	GROMMET,PRIMARY CORD	1		C		
82	274-04037-800	CORD,EARTH	1		D		

* Indicates the part is included in a kit or assembly and is not available individually. Q=Quan. used
 C=Interchangeability S=Stocking code: A-Fast moving B=Med. fast C=Med. move D=Slow move
 E=N.L.A. F=Superceded or replaced by a new part

FIG. 2 ENGINE COMPONENTS

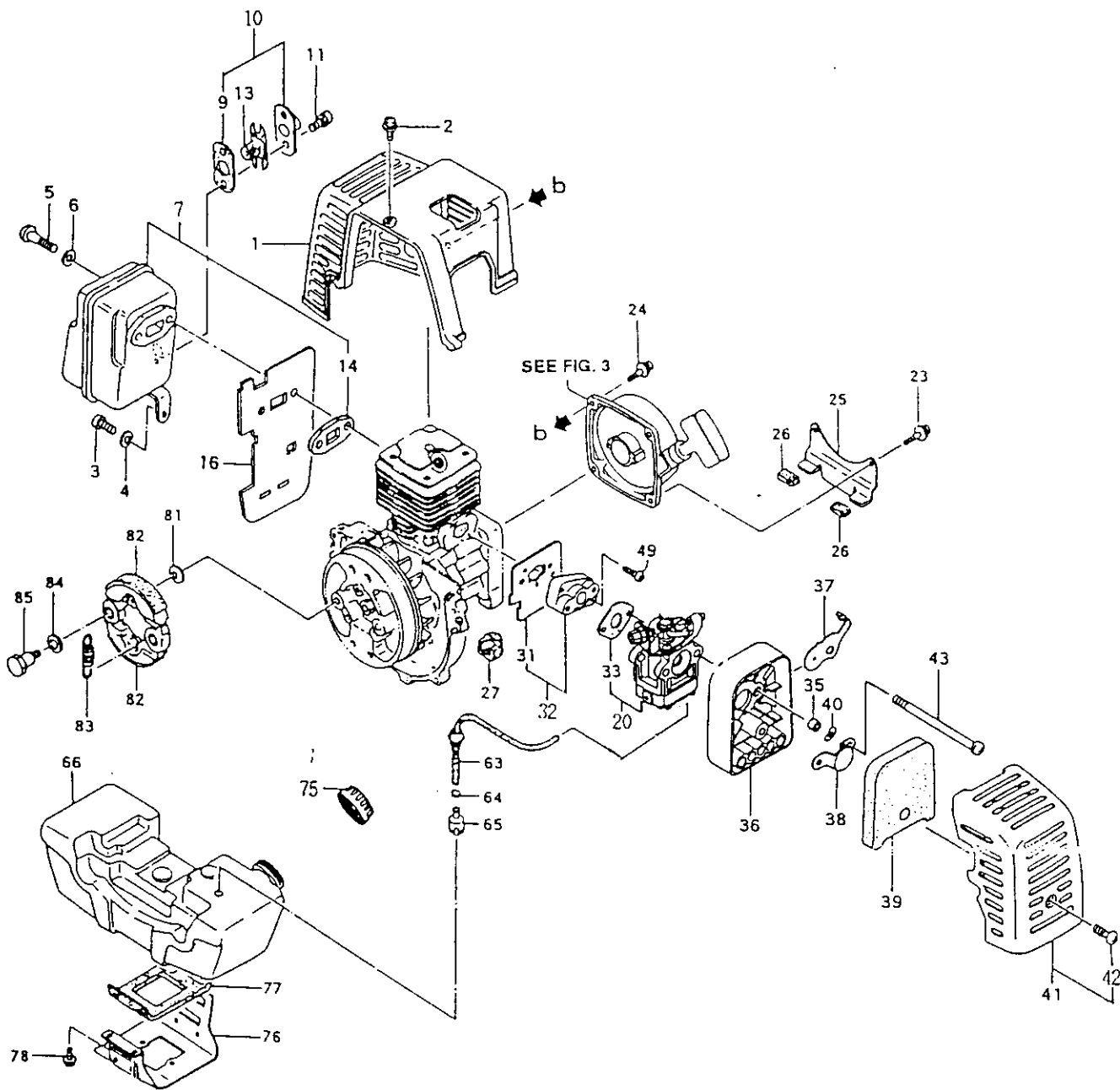


FIGURE 2

TBC-4110 PARTS LISTING

REF.	PART NO.	PART DESCRIPTION	Q	C	S	SERIAL NO	REMARKS
1	738-04230-200	PROTECTOR,MUFFLER	1		D		
2	994-15050-122	SCREW,5X12/PS	1		C		
3	994-13050-121	SCREW 5x12/P	1		C		
5	990-53060-653	SCREW,HEX,6X65	2		B		
6	992-01060-011	WASHER,6	2		A		
7	704-0423Z-90	MUFFLER	1		C		
9	751-04200-201	GASKET,MUFFLER	1		C		
10	721-0423Z-90	PIPE,TAIL	1		A		
11	994-14040-081	SCREW,4X8	2		D		
13	732-0631A-200	ARRESTER,SPARK	1		C		
14	737-04230-200	GASKET,MUFFLER	1		D		
16	133-04230-20	SHIELD,HEAT	1		C		
20	455-47141-90	CARBURETOR,TBC-4110	1		B		
23	994-15050-182	SCREW,5X18/PS	2		C		
24	994-15050-252	SCREW,PS,5X25	2		D		
25	653-04200-200	BRACKET,TANK	1		D		
26	655-06100-200	CUSHION,TANK	2		A		
27	655-04200-200	CUSHION,FUEL TANK	2		C		
31	403-04230-200	GASKET,INTAKE	1		D		
32	404-0423Z-90	INSULATOR,CARB	1		B		
33	402-0602K-21	GASKET,CARBURETOR	1		B		
34	453-0637C-200	COLLAR	1		C		
35	470-0602N-200	COLLAR,CLEANER	1		C		
36	423-01380-81	BODY,AIR CLEANER	1		D		
37	528-01380-20	VALVE,CHOKE	1		D		
38	476-01700-200	BOARD,BLOW OVER CHECK	1		D		
39	446-01380-20	ELEMENT,CLEANER	1		A		
40	992-04080-030	WASHER,8	1		C		
41	452-01380-90	COVER,CLEANER ASSY	1		C		
42	380-0637C-200	BOLT,CLEANER	1		B		
43	994-14050-571	SCREW,5X57,S	2		C		
49	994-16050-241	SCREW 5x24WS	2		C		
63	223-01251-901	PIPE,FUEL,3X5X230	1		C		
64	680-00731-201	CLIP 6.3	1		B		
65	675-01630-900	FILTER,FUEL	1		A		
66	591-04230-200	TANK,FUEL	1		D		
75	595-0423Q-90	CAP,TANK	1		A		
76	603-04201-200	BAND,HOLDING,TANK	1		C		
77	652-04201-200	CUSHION	1		C		

* Indicates the part is included in a kit or assembly and is not available individually. Q=Quan. used
C=Interchangeability S=Stocking code: A-Fast moving B=Med. fast C=Med. move D=Slow move
E=N.L.A. F=Superseded or replaced by a new part

FIGURE 2 cont.

TBC-4110 PARTS LISTING

REF.	PART NO.	PART DESCRIPTION	Q	C	S	SERIAL NO	REMARKS
78	994-15050-162	SCREW,5X16/PS	2		C		
81	359-10112-203	WASHER,CLUTCH B	2		A		
82	290-04200-80	SHOE,CLUTCH	2		B		
83	342-04200-200	SPRING,CLUTCH	1		B		
84	358-10112-201	WASHER,CLUTCH	2		A		
85	357-04201-200	BOLT,CLUTCH STEP	2		B		

* Indicates the part is included in a kit or assembly and is not available individually. Q=Quan. used
 C=Interchangeability S=Stocking code: A-Fast moving B=Med. fast C=Med. move D=Slow move
 E=N.L.A. F=Superceded or replaced by a new part

FIG. 3 RECOIL STARTER

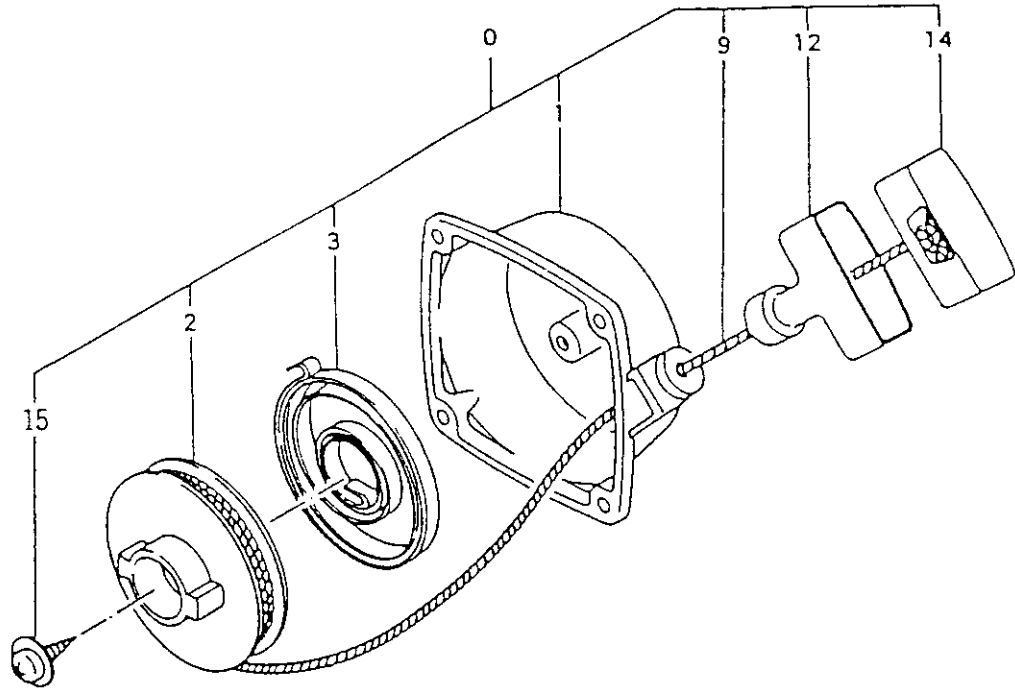


FIGURE 3

TBC-4110 PARTS LISTING

REF.	PART NO.	PART DESCRIPTION	Q	C	S	SERIAL NO.	REMARKS
0	762-04220-90	STARTER,RECOIL ASS'Y	1		C		
1	772-04220-80	BODY,RECOIL STARTER	1		C		
2	769-04220-20	REEL,STARTER ROPE	1		B		
3	779-04220-20	SPRING,RECOIL	1		B		
9	783-04220-20	ROPE,STARTER	1		A		
12	835-04220-20	CAP,HANDLE	1		B		
14	785-04220-20	HANDLE,STARTER	1		C		
15	839-04220-20	SCREW,SET	1		A		

FIG.4 CARBURETOR

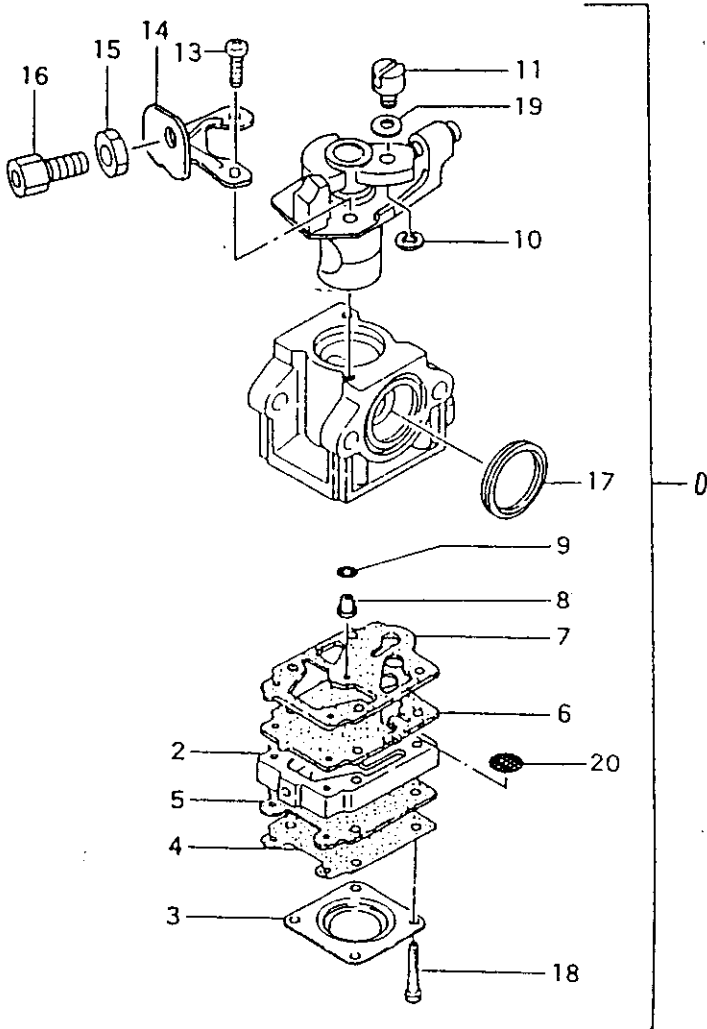


FIGURE 4

TBC-4110 PARTS LISTING

REF.	PART NO.	PART DESCRIPTION	Q	C	S	SERIAL NO.	REMARKS
0	455-47141-90	CARBURETOR,TBC-4110	1		C		
2	575-25152-80	BODY,PUMP	1		C		
3	476-25004-200	COVER,DIAPHRAGM	1		D		
4	~~~	*DIAPHRAGM,METERING	1		B		* Contained in Carb. Repair Kit 650-25124-900 (Not available individually)
5	~~~	*GASKET,DIAPHRAGM .78mm	1		D		
6	~~~	*DIAPHRAGM,PUMP	1		B		
7	~~~	*GASKET,PUMP	1		B		
8	599-2000W-47	JET,MAIN # 47	1		A		
9	550-25100-200	O-RING	1		A		
10	489-25100-200	RING,STOP	1		D		
11	539-25120-200	SWIVEL	1		D		
13	514-25100-200	SCREW,THROTTLE SET	2		D		
14	544-25164-200	STAY,ADJUST,CABLE	1		C		
15	991-01060-013	NUT,6	1		B		
16	614-25137-200	ADJUSTER,CABLE	1		D		
17	431-0634C-200	PACKING,CLEANER	1		C		
18	548-25101-200	SCREW,SET	4		D		
19	549-25165-20	WASHER,THRUST	1		D		
20	~~~	*SCREEN,INLET	1		C		

* Indicates the part is included in a kit or assembly and is not available individually. Q=Quan. used
 C=Interchangeability S=Stocking code: A-Fast moving B=Med. fast C=Med. move D=Slow move
 E=N.L.A. F=Superseded or replaced by a new part

FIG.5 CLUTCH CASE

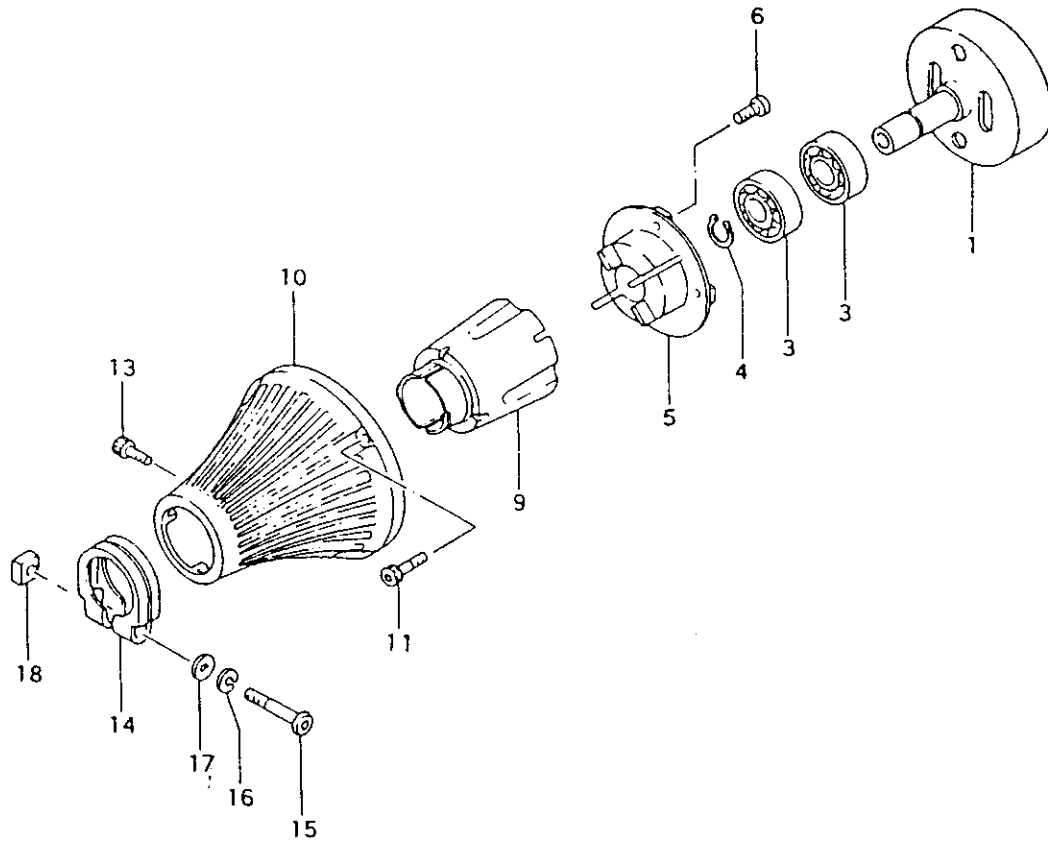


FIGURE 5

TBC-4110 PARTS LISTING

REF.	PART NO.	PART DESCRIPTION	Q	C	S	SERIAL NO.	REMARKS
1	289-04205-801	SHAFT,CLUTCH	1		C		
3	999-61620-202	BEARING,BALL,#6202Z	2		C		
4	993-50015-002	RING,STOP,C-15 EX	1		C		
5	347-04201-20	FLANGE,CLUTCH	1		B		
6	994-14050-161	SCREW,5X16/S	4		C		
9	599-04201-80	CUSHION	1		C		
10	331-04201-200	CASE,CLUTCH	1		D		
11	994-61050-124	BOLT,HEX,5X12S	4		A		
13	990-51050-103	BOLT,HEX.HOLE,5X10	1		A		
14	282-04201-200	HOLDER,PIPE	1		D		
15	990-53060-453	BOLT,HEX,6X45	1		C		
16	992-10060-062	WASHER,S,6	1		A		
17	992-01060-061	WASHER,6	1		D		
18	991-91060-061	NUT,SQUARE,6	1		C		

FIG.6 HANDLE

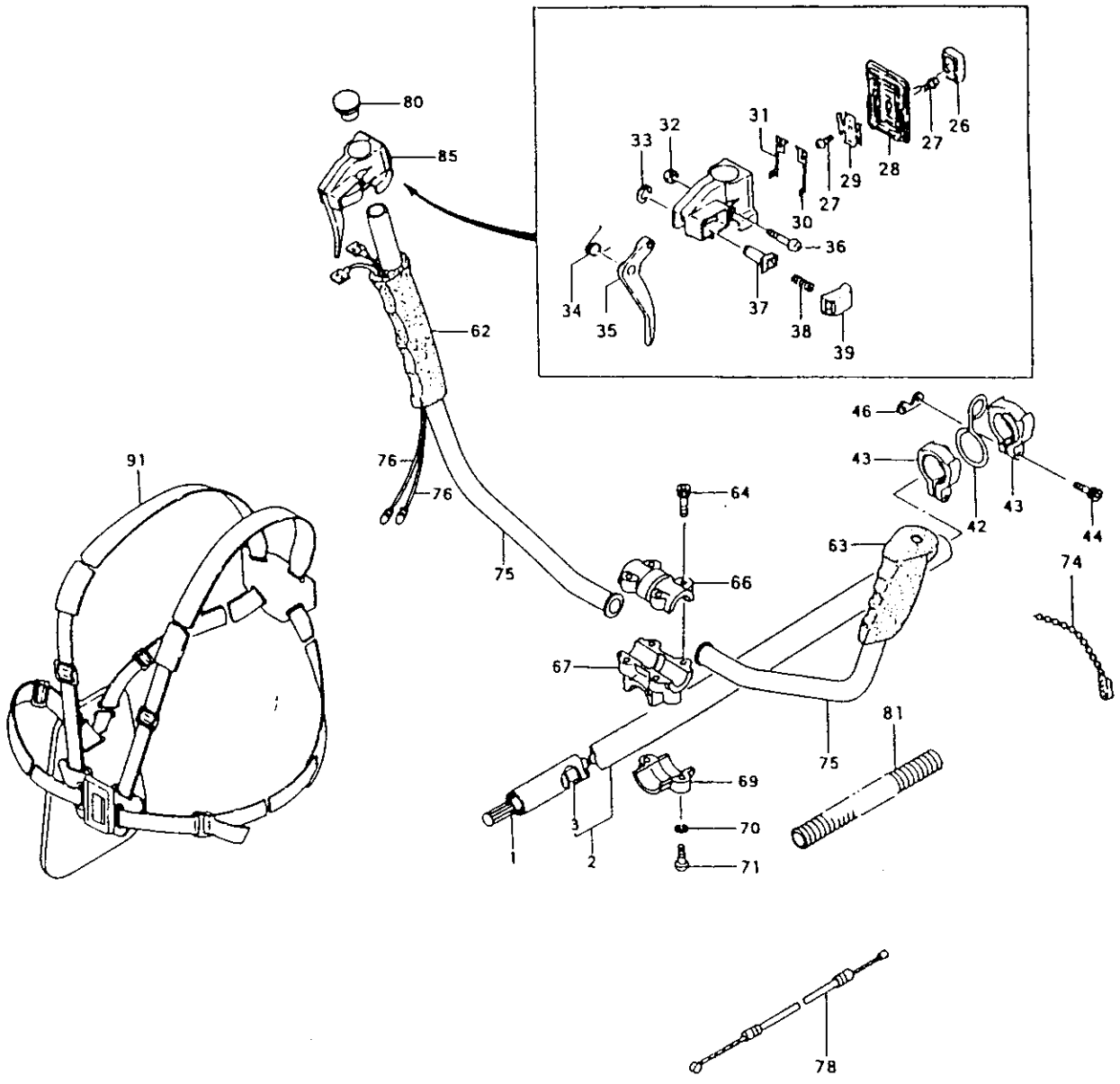


FIGURE 6

TBC-4110 PARTS LISTING

REF.	PART NO.	PART DESCRIPTION	Q	C	S	SERIAL NO.	REMARKS
1	343-37121-20	SHAFT,DRIVE	1		D		
2	341-37101-80	PIPE,DRIVE SHAFT	1		C		
3	347-37100-90	BUSHING ASS'Y	5		D		
26	162-37101-200	SWITCH,STOP	1		B		
27	993-42030-081	SCREW, TAPPING, 3X8	3		D		
28	259-37101-200	BASE,STOP SWITCH	1		C		
29	262-37101-200	SPRING,STOP SWITCH	1		D		
30	177-37101-200	TERMINAL,EARTH B	1		A		
31	176-37101-200	TERMINAL,EARTH A	1		A		
32	991-86050-000	NUT,LOCK,5	1		D		
33	993-55060-001	RING,STOP,6	1		D		
34	832-37101-200	SPRING,RETURN	1		C		
35	880-37101-200	LEVER,THROTTLE	1		B		
36	994-31050-251	SCREW,S.,5X25	1		C		
37	853-37101-200	SHAFT,LOCK BUTTON	1		D		
38	958-37101-200	SPRING,LOCK,BUTTON	1		D		
39	956-37101-200	BUTTON,LOCK	1		D		
42	335-37121-20	BRACKET,STRAP	1		D		
43	334-37121-200	COLLAR,LIFTING METAL	2		D		
44	994-62050-304	BOLT,HEX HOLE 5x30.P	2		D		
46	315-37304-200	NUT,SPECIAL	1		D		
62	503-37113-200	GRIP,HANDLE R	1		D		
63	165-33130-200	GRIP,HANDLE A	1		C		
64	994-61050-254	BOLT,HEX HOLE,5X25S	4		C		
66	506-37121-20	BRACKET,HANDLE,B	1		C		
67	507-37121-20	BRACKET,HANDLE,B	1		D		
69	508-33411-20	BRACKET,HANDLE,C	1		D		
70	992-10060-062	WASHER,S,6	2		A		
71	990-53060-253	BOLT,HEX,6X25	2		C		
74	460-33111-900	CLAMP	3		B		
75	500-33691-200	HANDLE	2		C		
76	178-33691-80	WIRE,STOP	2		C		
78	885-37258-80	WIRE,THROTTLE	1		C		
80	499-37100-200	GROMMET,PIPE	1		C		
81	164-10083-00	TUBE,PROTECTION 10x30mm	1		D		
85	870-37101-900	LEVER,THROTTLE ASS'Y	1		B		
91	SS--400	STRAP,SHOULDER	1		B		

* Indicates the part is included in a kit or assembly and is not available individually. Q=Quan. used
C=Interchangeability S=Stocking code: A-Fast moving B=Med. fast C=Med. move D=Slow move
E=N.L.A. F=Superseded or replaced by a new part

FIG.7 GEAR CASE

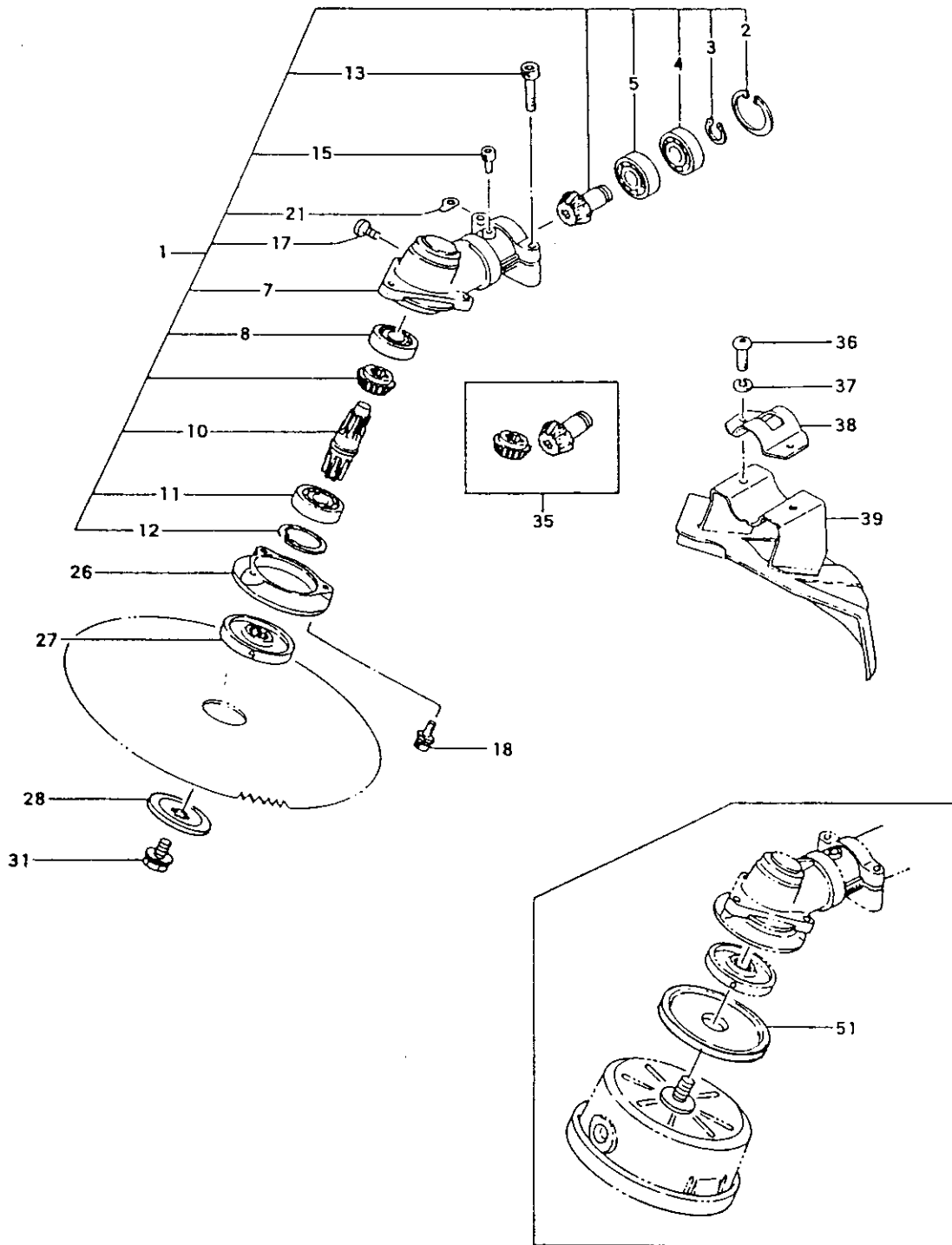


FIGURE 7

TBC-4110 PARTS LISTING

REF.	PART NO.	PART DESCRIPTION	Q	C	S	SERIAL NO.	REMARKS
1	300-33392-92	CASE,GEAR,ASS'Y	1		D		
2	993-51028-002	RING,STOP,IN,C-28	1		C		
3	993-50012-002	RING,STOP,C-12 EX	1		A		
4	999-61600-102	BEARING,BALL,#6001Z	1		B		
5	999-61600-100	BEARING,BALL,#6001	1		B		
7	300-33392-21	CASE,GEAR	1		C		
8	999-61600-000	BEARING,BALL,#6000	1		C		
10	304-37100-21	SHAFT,GEAR	1		A		
11	999-61620-303	BEARING,BALL,#6203D	1		A		
12	993-51040-002	RING,STOP,C40	1		C		
13	994-61050-254	BOLT,HEX HOLE,5X25S	2		C		
15	994-61050-124	BOLT,HEX,5X12S	1		C		
17	994-23080-100	BOLT,HEAD 8x10	1		D		
18	994-16050-162	SCREW,5X16/WS	3		D		
21	324-37110-200	WASHER,GEAR CASE	2		D		
26	307-37100-81	COVER, PROTECTION	1		C		
27	310-37100-21	HOLDER,CUTTER	1		C		
28	311-33386-20	CAP,CUTTER HOLDER	1		C		
31	312-33386-20	BOLT, FIXING, L.H.	1		C		
35	301-37100-00	SET,GEAR/PINION	1		D		
36	990-53060-153	BOLT,HEX,6X15	2		B		
37	992-10060-062	WASHER,S,6	2		A		
38	442-37121-20	BRACKET,COVER 30 DIA	1		C		
39	441-37100-80	GUARD,SAFETY	1		C		
51	307-33670-20	PROTECTOR,WINDING	1		C		

* Indicates the part is included in a kit or assembly and is not available individually. Q=Quan. used
 C=Interchangeability S=Stocking code: A-Fast moving B=Med. fast C=Med. move D=Slow move
 E=N.L.A. F=Superseded or replaced by a new part

FIG.8 TOOLS & NYLON HEAD

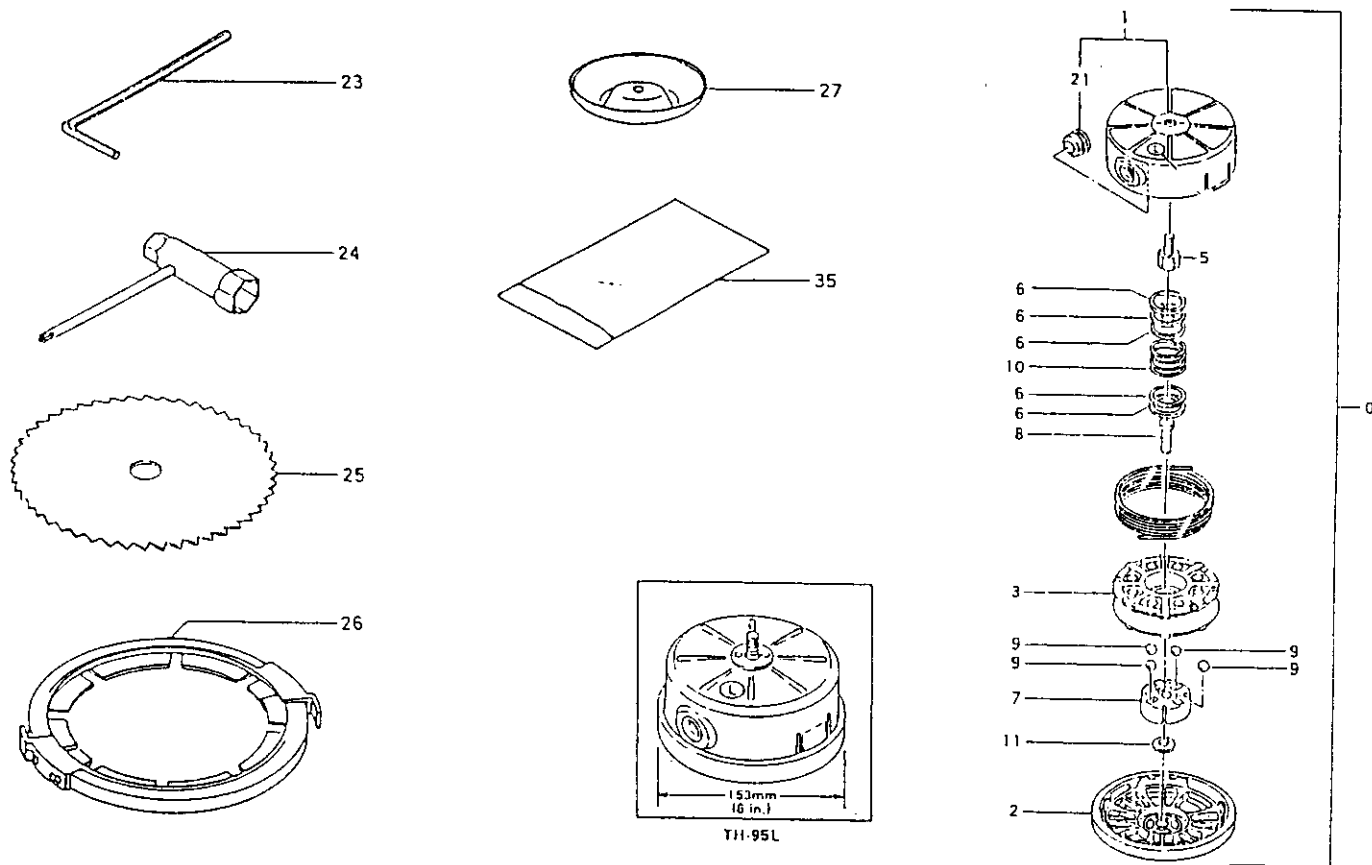


FIGURE 8

TBC-4110 PARTS LISTING

REF.	PART NO.	PART DESCRIPTION	Q	C	S	SERIAL NO.	REMARKS
0	783-33670-93	IR487/AUTO HEAD (L)	1		B		
1	786-33670-92	BODY,CUTTING	1		C		
2	789-33670-23	CAP,BODY	1		B		
3	787-33670-210	REEL,(L)	1		B		
5	314-33670-20	BOLT,8X1.25 LH GOLD	1		A		
6	792-33004-200	WASHER,REEL	5		A		
7	790-33004-200	SLIDER,REEL	1		A		
8	791-33004-200	HOOK,REEL SLIDER	1		A		
9	673-35600-20	BALL,STEEL	4		A		
10	793-33910-20	SPRING,REEL	1		A		
11	358-02103-200	WASHER,CLUTCH A	1		A		
21	788-33670-21	EYELET	1		C		
23	813-20000-200	WRENCH,HEX,4	1		D		
24	826-20000-80	SPANNER,COMBI,17X19	1		C		
25	746108	BLADE,10X80,1R489,(PSB-180)	1				Optional
26	BP-100	PROTECTOR,BLADE,9/10"	2				Optional
27	308-33410-200	COVER,PROTECTION,B	1		D		
35	948-39907-200	BAG,TOOL	1		D		

FIG. 9 DECALS

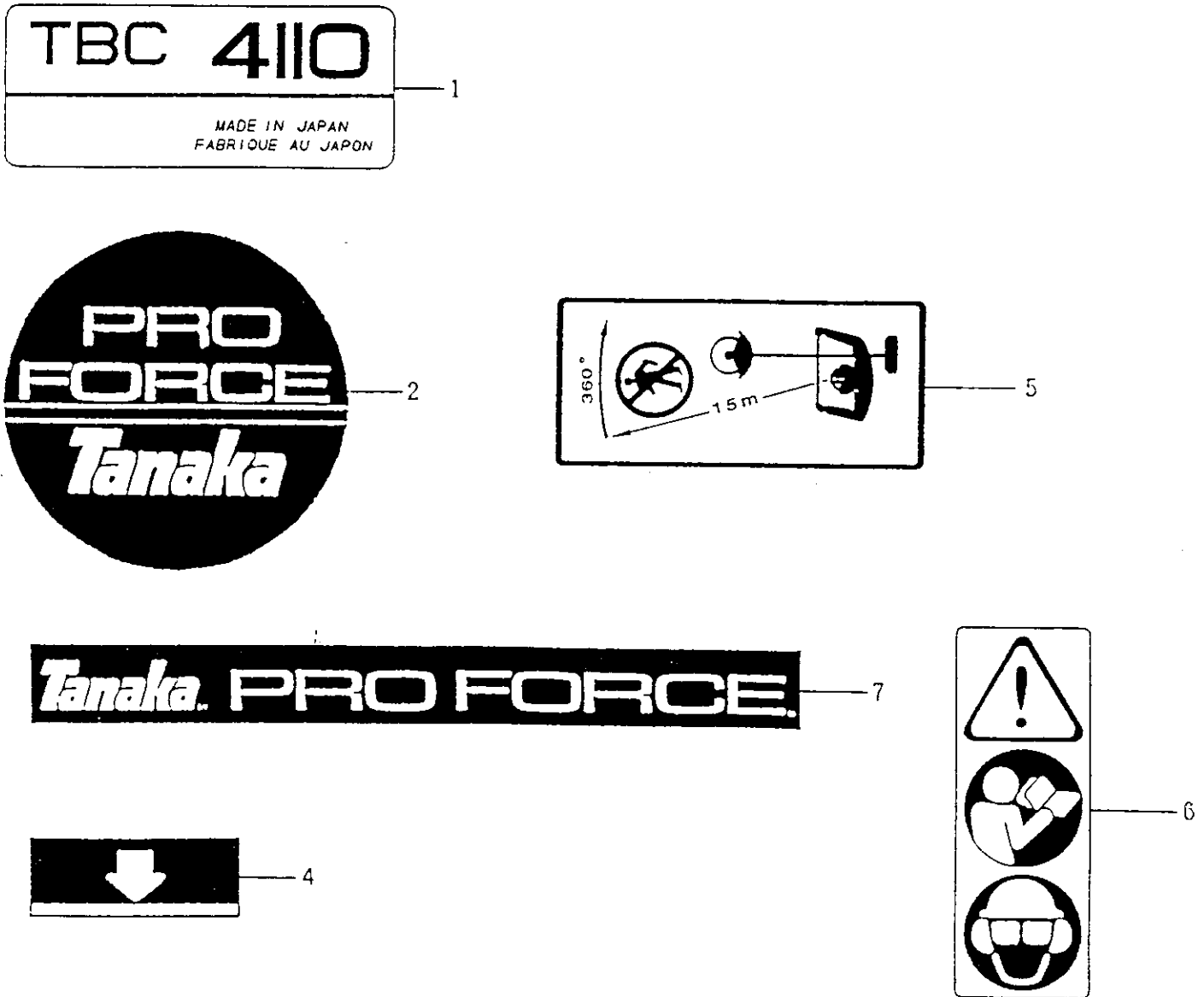


FIGURE 9

TBC-4110 PARTS LISTING

REF.	PART NO.	PART DESCRIPTION	Q	C	S	SERIAL NO	REMARKS
1	906-47141-20	DECAL,TBC-4110	1		D		
2	950-31310-200	DECAL,PRO-FORCE A	1		D		
4	923-33700-20	DECAL,LEVEL	1		D		
5	919-37286-20	DECAL,CAUTION	1		B		
6	920-32466-20	DECAL	1		D		
7	951-31310-200	DECAL,PRO-FORCE B	1		D		

Free Manuals Download Website

<http://myh66.com>

<http://usermanuals.us>

<http://www.somanuals.com>

<http://www.4manuals.cc>

<http://www.manual-lib.com>

<http://www.404manual.com>

<http://www.luxmanual.com>

<http://aubethermostatmanual.com>

Golf course search by state

<http://golfingnear.com>

Email search by domain

<http://emailbydomain.com>

Auto manuals search

<http://auto.somanuals.com>

TV manuals search

<http://tv.somanuals.com>