

Tanaka[®]

Parts Catalog

Chain Saw

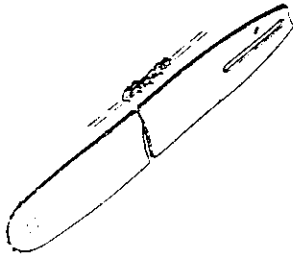
Model: ECS-351

Part # 11536 8-26-97

ECS-351

OPTIONS AND ACCESSORIES

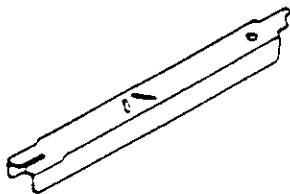
BARS & CHAINS



- 12 In. Chain 91SG045X
- 14 In. Chain 91SG052X
- 16 In. Chain 91SG057X

- 12 In. Bar 120SDEA041
- 14 In. Bar 140SDEA041
- 16 In. Bar 160SDEA041

- 12in. Bar/Chain Kit 844001
- 14in. Bar/Chain Kit 844002
- 16in. Bar/Chain Kit 844004



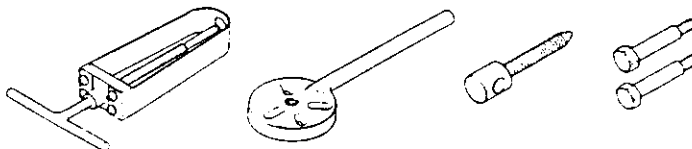
DEPTH GAUGE CDG-600

MANUALS & CATALOGS

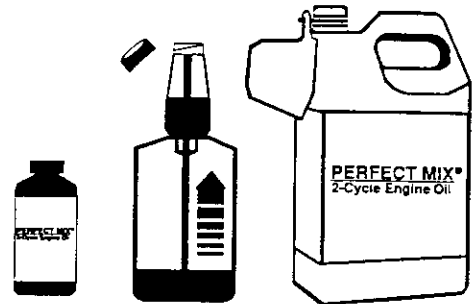
- | | |
|---------------|----------------|
| 18782 | Owner's Manual |
| 976-42367-205 | Safety Manual |
| 11536 | Parts Catalog |

SPECIAL TOOLS

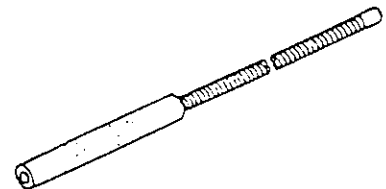
- | | | | |
|---------------|---------------------|---------------|-----------------|
| 006-29326-000 | Flywheel Remover | 890-32600-200 | Clutch Remover |
| 009-29326-000 | Piston Pin Remover | 001-29000-000 | Tachometer |
| 898-20000-900 | Screw Gear Remover | 070-2000W-500 | Pressure Tester |
| 002-29323-501 | Screw Gear Inserter | 070-2000W-501 | Carb. Tool Kit |



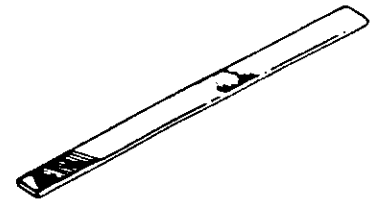
PERFECT MIX® 2-Cycle Engine Oil



- 700109 2.8 oz. Bottle, 1 Gallon Size (24*)
 - 700108 16 oz. Self-measuring Bottle (24*)
 - 700110 1 Gallon Jug Commercial Size (6*)
- * Case Quantity



FILE ASS'Y 5/32 CSF-532



FLAT FILE 8" CSF-800

FIG.1 ENGINE

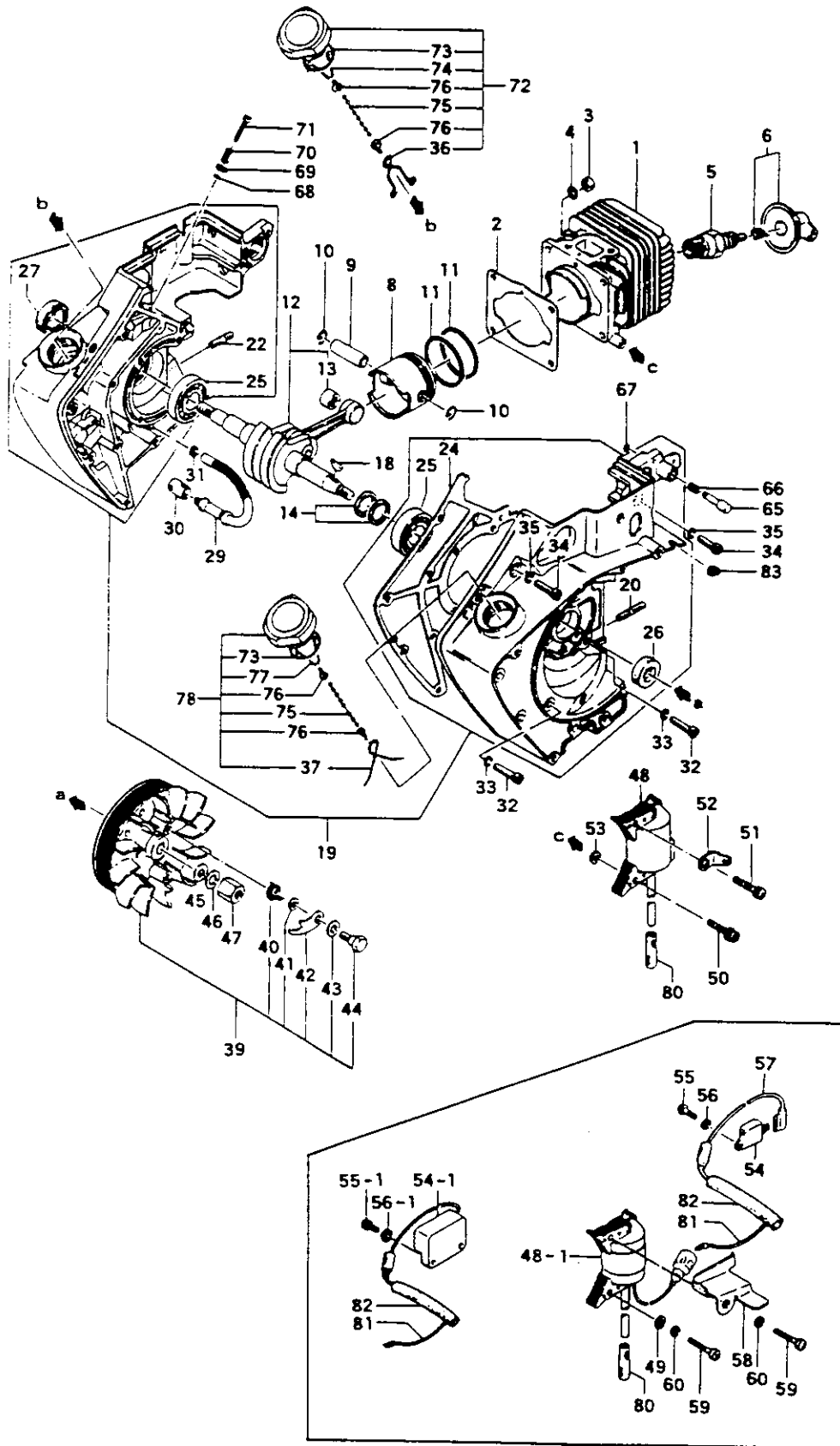


FIGURE 1

ECS-351 PARTS LISTING

REF.	PART NO.	PART DESCRIPTION	Q	C	S	SERIAL NO.	REMARKS
1	002-01800-211	CYLINDER	1		D	~F187020	
1	002-0180A-211	CYLINDER	1		D	F187021~	
2	017-01800-200	GASKET,CYLINDER	1		D		
3	991-01050-011	NUT,5	4		A		
4	992-10050-012	WASHER,S,5	4		A		
5	018-01805-200	PLUG,SPARK	1		B		
6	157-01850-900	CAP,SPARK PLUG ASS'Y	1		D		
8	031-01800-200	PISTON	1		D		
9	037-01400-200	PIN,PISTON	1		C		
10	039-00000-201	CIRCLIP,PISTON PIN	2		A		
11	041-04000-200	RING,PISTON	2		B		
12	046-01800-800	CRANKSHAFT	1		D		
13	999-62091-325	BEARING,NEEDLE,F-910	1		D		
14	071-02007-200	SHIM,15.2X20X.05	V		D		Shims are "as needed" to obtain correct c/s side clearance.
14	071-02007-210	SHIM,15.2X20X.10	V		D		
14	071-02007-220	SHIM,15.2X20X.15	V		D		
14	071-11600-230	SHIM,16X21X.20	V		D		
18	068-10100-200	KEY,WOODRUFF,3X13X4.5	1		C		
19	072-01800-902	CRANKCASE,ASS'Y	1		D	~F097142	Includes bearings and seals
19	072-01850-901	CRANKCASE,ASS'Y	1		D	F097143~	Includes bearings and seals
20	100-00501-200	BOLT,STUD,5X26	2		D		
22	100-00100-201	BOLT,STUD,5X21	2		D		
24	090-01800-203	GASKET,CRANKCASE	1		D		
25	999-61620-200	BEARING,BALL,#6202	2		B		
26	999-66122-240	SEAL,OIL,#12227	1		A		
27	999-66152-511	SEAL,OIL,#VE15X25X7	1		A		
29	505-32350-203	PIPE,OIL,B	1		D		
30	510-32350-200	NET,FILTER	1		D		
31	680-00803-202	CLIP	1		D		
32	990-51050-253	BOLT,HEX,5X25	10		B		
33	992-10050-012	WASHER,S,5	10		A		
34	990-51050-223	BOLT,HEX,5X22	2		C		
35	992-10050-012	WASHER,S,5	2		A		
36	641-32350-202	HOOK,OIL TANK CAP	1		D		
37	596-35100-202	HOOK,TANK CAP	1		D		
39	155-21704-911	ROTOR,MAGNETO ASS'Y	1		D		
40	790-01800-200	SPRING,STARTER PAWL	2		D		
41	786-00601-200	WASHER,RECOIL STARTER	2		D		
42	788-00601-203	PAWL,STARTER	1		A		

* Indicates the part is included in a kit or assembly and is not available individually. Q=Quan. used
C=Interchangeability S=Stocking code: A=Fast moving B=Med. fast C=Med. move D=Slow move
E=N.L.A. F=Superseded or replaced by a new part

FIGURE 1 cont.

ECS-351 PARTS LISTING

REF.	PART NO.	PART DESCRIPTION	Q	C	S	SERIAL NO.	REMARKS
43	822-00601-200	SHIM,7X11.8X.60	2		C		
44	793-10200-202	BOLT,STEP	2		C		
45	065-00000-200	WASHER,FLYWHEEL	1		D		
46	992-10070-012	WASHER,S,7	1		D		
47	066-01800-200	NUT,FLYWHEEL	1		D		
48-1	167-20763-800	COIL,IGNITION	1		C	-F097142	
48	167-21951-800	COIL,IGNITION	1		C	F097143~	
49	992-00040-011	WASHER,4	1		B		
50	994-16040-226	SCREW,WS,4X22	1		D		
51	994-16040-226	SCREW,WS,4X22	1		D		
52	205-11600-201	TAB,TERMINAL	1		D		
53	182-0186A-201	WASHER,SPECIAL	1		D		
54-1	159-21401-870	IGNITOR,TTI-ID	1		B	-F097142	
54	159-21401-872	IGNITOR,TTI-1F	1		A	F097143~	
55-1	990-11040-161	SCREW,4X16	2		A	-E104940	
55	990-11040-081	SCREW,4X8	1		C	E104941~	
56	992-10040-012	WASHER,S,4	2		C		
57	173-0162R-800	WIRE,IGNITOR LEAD	1		C		
58	198-01800-230	CLAMP,CORD	1		D		
59	990-11040-181	SCREW,4X18	2		D		
60	992-10040-012	WASHER,S,4	2		D		
65	064-32300-201	PIN,PUSH	1		D		
66	066-32300-201	SPRING,STOPPER	1		D		
67	993-55030-002	RING,STOP	1		C		
68	999-67003-000	O-RING,P3	1		C		
69	992-01040-011	WASHER,4	1		C		
70	502-32302-200	SPRING,ADJUSTER	1		E		
71	501-32350-201	ADJUSTER,PUMP,OIL	1		D		
72	624-32350-901	CAP,OIL TANK,ASS'Y	1		D		
73	999-67022-000	O-RING,P22	2		D		
74	634-32350-200	HOOK,TANK CAP,A	1		D		
75	626-32350-201	CHAIN,TANK CAP	2		D		
76	627-32350-201	END,BALL CHAIN	4		D		
77	596-32377-210	HOOK,TANK CAP	1		D		
78	635-32377-901	CAP,TANK,ASS'Y	1		D		
80	755-32050-200	TUBE,CORD	1		D		
81	178-00601-810	CORD,STOP	1		D	-C189752	
81	173-00700-800	CORD,PRIMARY	1		D	C189753~	
82	203-01800-200	CORD,GROMMET	1		D		
83	203-06000-200	GROMMET,PRIMARY CORD	2		C		

* Indicates the part is included in a kit or assembly and is not available individually. Q=Quan. used
C=Interchangeability S=Stocking code: A-Fast moving B=Med. fast C=Med. move D=Slow move
E=N.L.A. F=Superseded or replaced by a new part

FIG.2 CLUTCH & MUFFLER

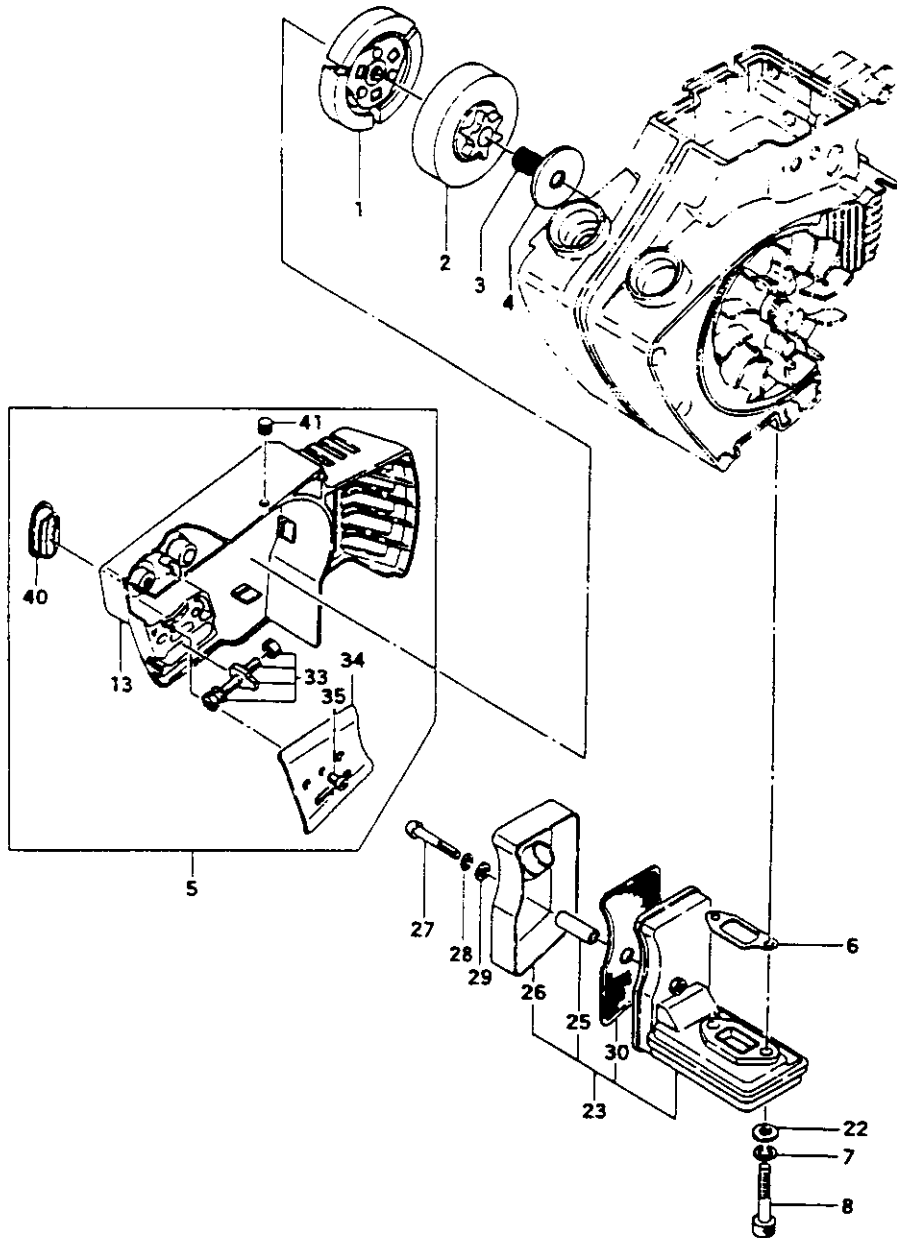


FIGURE 2

ECS-351 PARTS LISTING

REF.	PART NO.	PART DESCRIPTION	Q	C	S	SERIAL NO.	REMARKS
1	287-01801-801	CLUTCH	1		D		
2	310-01801-801	HOUSING,CLUTCH,3/8"	1		B		
3	999-62101-301	BEARING,NEEDLE,101310	1		B		
4	358-01800-201	WASHER,CLUTCH	1		D		
5	040-3236A-900	CASE,SIDE ASS'Y	1		D		
6	737-01800-200	GASKET,MUFFLER	1		C		
7	992-10060-012	WASHER,S,6	2		A		
8	990-51060-353	BOLT,HEX.HOLE,6X35	2		C		
13	040-3236A-230	CASE,SIDE	1		D		
22	992-01060-011	WASHER,6	2		A		
23	705-01802-930	MUFFLER,ASS'Y	1		D		
25	740-01802-200	COLLAR,MUFFLER	1		D		
26	717-01800-820	BODY,MUFFLER,B	1		D		
27	990-11050-351	SCREW,5X35	1		B		
28	992-10050-012	WASHER,S,5	1		A		
29	992-00050-011	WASHER,SMALL,5	1		C		
30	732-01802-201	PLATE,PARTITION	1		D		
33	116-32382-900	BOLT,TENSION,CHAIN,ASS'Y	1		B		
34	462-32350-210	PLATE,B	1		D		
35	990-11040-061	SCREW,4X6	1		C		
40	052-3236A-200	GROMMET	1		D		
41	130-00206-202	PLUG	1		D		

* Indicates the part is included in a kit or assembly and is not available individually. Q=Quan. used
C=Interchangeability S=Stocking code: A=Fast moving B=Med. fast C=Med. move D=Slow move
E=N.L.A. F=Superseded or replaced by a new part

FIG.3 CARBURETOR & CLEANER

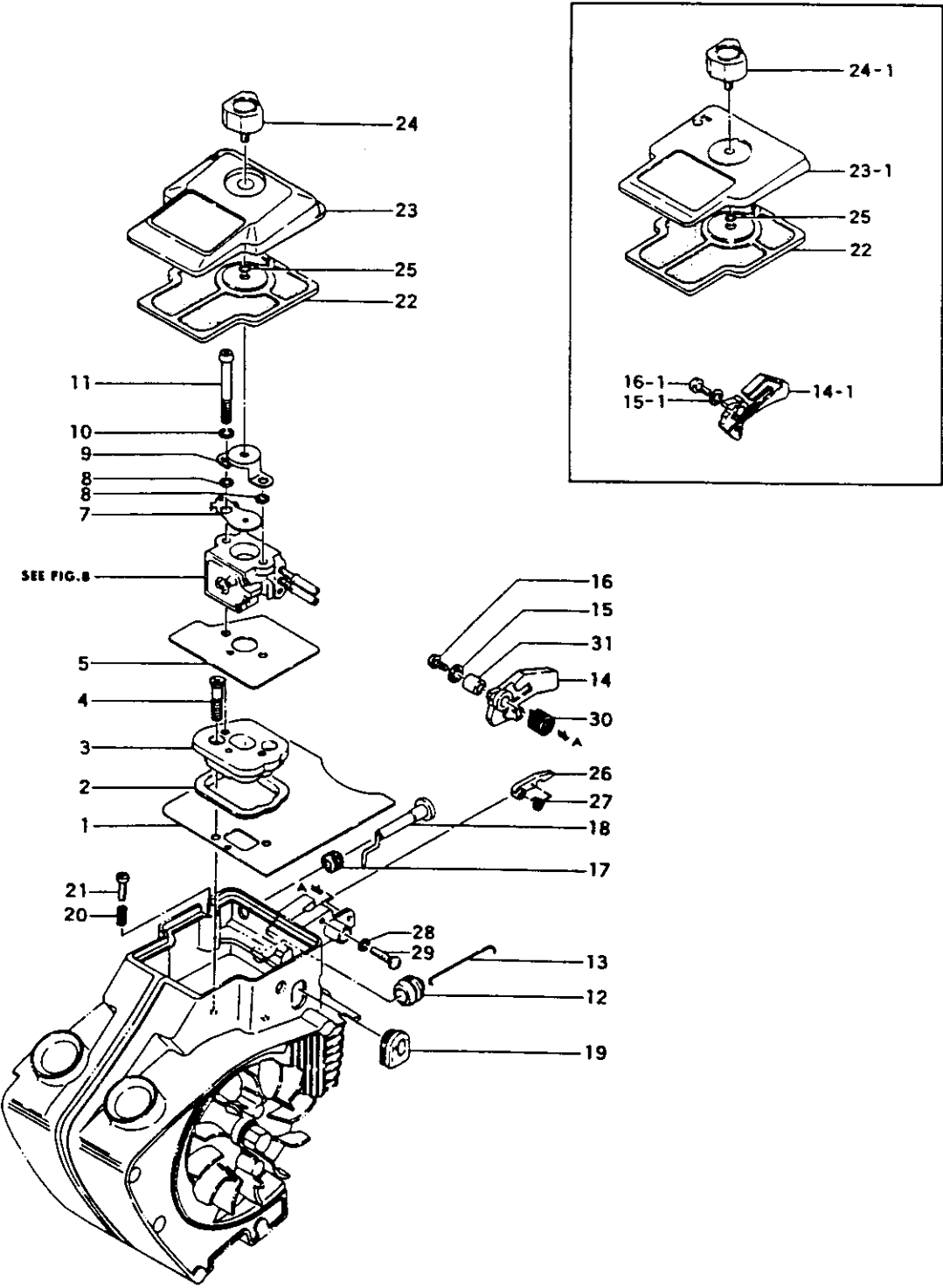


FIGURE 3

ECS-351 PARTS LISTING

REF.	PART NO.	PART DESCRIPTION	Q	C	S	SERIAL NO.	REMARKS
1	133-01850-201	SHIELD,HEAT	1		D		
2	409-01800-210	RUBBER,INSULATOR,CARB	1		D		
3	404-01800-203	INSULATOR,CARBURETOR	1		D		
4	990-12050-251	SCREW,FH,5X25	2		D		
5	402-01850-200	GASKET,CARBURETOR	1		D		
7	700-32350-211	VALVE,CHOKE	1		D		
8	708-32350-200	SHIM,5.2X8X.80	2		C		
9	476-01800-200	BOARD,BLOW OVER CHECK	1		C		
10	992-10050-012	WASHER,S,5	2		A		
11	990-11050-451	SCREW,5X45	2		C		
12	491-32350-201	GUIDE,THROTTLE	1		D		
13	490-32350-210	ROD,THROTTLE	1		D	~F097142	
13	490-32050-201	ROD,THROTTLE	1		D	F097143~	
14-1	060-32350-211	LEVER,THROTTLE	1		C	~F097142	
14	060-32050-214	LEVER,THROTTLE	1		D	F097143~	
15-1	992-01030-011	WASHER,3	1		C	~F098142	
15	513-32057-200	WASHER	1		D	F098143~	
16-1	990-11030-121	SCREW,3X12	1		B	~F097142	
16	990-11030-141	SCREW,3X14	1		D	F097143~	
17	202-01003-201	GROMMET,SECONDARY CORD	1		C		
18	704-32350-800	BUTTON,CHOKE	1		D		
19	190-32314-200	CAP,ADJUSTER	1		D		
20	845-11107-201	SPRING,CONTROL LEVER,RK-11	1		D		
21	990-06040-181	SCREW,4X18 F.F.H.	1		D		
22	420-01800-801	ELEMENT,CLEANER	1		B		
23-1	051-32350-202	COVER,CLEANER	1		D	~F097142	
23	051-32050-210	COVER,CLEANER	1		C	F097143~	
24-1	156-32350-801	CAP,CLEANER	1		D	~F097142	
24	156-32050-810	CAP,CLEANER	1		D	F097143~	
25	999-67003-000	O-RING,P3	1		C		
26	259-32350-202	LOCK,THROTTLE LEVER	1		D		
27	261-32350-201	SPRING,THROTTLE LOCK	1		D		
28	992-10040-012	WASHER,S,4	1		D		
29	990-11040-201	SCREW,4X20	1		C		
30	061-32057-200	SPRING,THROTTLE LEVER	1		D		
31	511-32050-200	COLLAR	1		C	F097143~	

* Indicates the part is included in a kit or assembly and is not available individually. Q=Quan. used
C=Interchangeability S=Stocking code: A=Fast moving B=Med. fast C=Med. move D=Slow move
E=N.L.A. F=Superseded or replaced by a new part

FIG.4 RECOIL STARTER

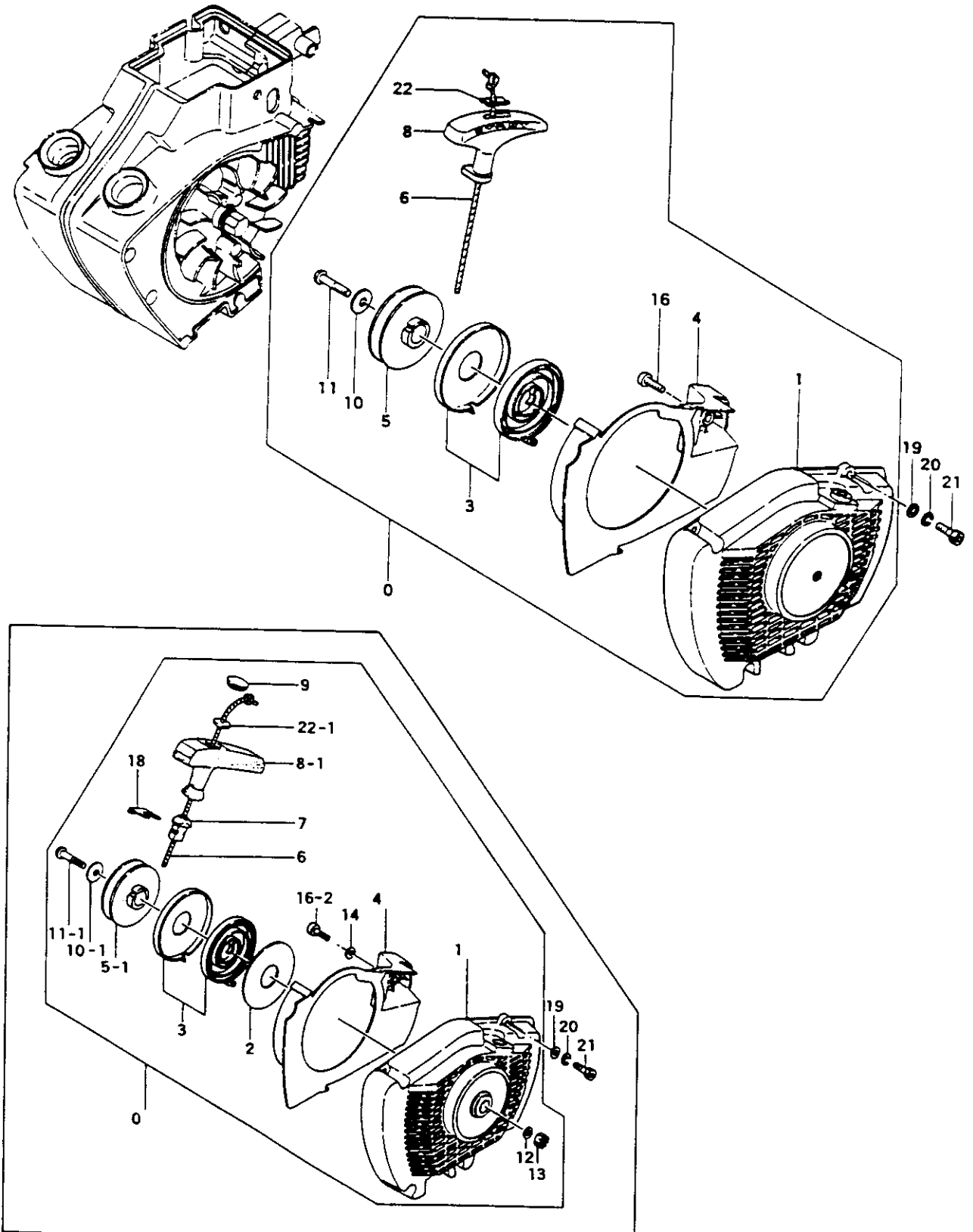


FIGURE 4

ECS-351 PARTS LISTING

REF.	PART NO.	PART DESCRIPTION	Q	C	S	SERIAL NO.	REMARKS
0	756-3236A-900	STARTER,RECOIL ASS'Y	1		D		
1	112-0181A-800	CASE,FAN	1		D		
2	778-00601-201	CASE,RECOIL SPRING	1		C	-D209450	
2	827-04060-210	COVER,SPRING CASE	1		D	D209451~	
3	778-00601-900	SPRING,RECOIL,ASS'Y	1		B		
4	145-01850-203	COVER	1		D		
5-1	774-00601-806	PULLEY,STARTER	1		A	-F097142	
5	774-04063-800	REEL,STARTER ROPE	1		D	F097143~	
6	783-04063-200	ROPE,STARTER	1		D		
7	780-11600-201	GUIDE,ROPE	1		B	F097143~	
8-1	785-11600-202	HANDLE,STARTER	1		D	-F097142	
8	785-04063-200	HANDLE,STARTER	1		D	F097143~	
9	833-10207-200	CAP,STARTER HANDLE	1		C		
10-1	992-08050-006	WASHER,5	1		C	-F097142	
10	992-08050-006	WASHER,5	1		C	F097143~	
11-1	990-11050-251	SCREW,5X25	1		D	-F097142	
11	990-15050-121	SCREW,5X12	1		D	F097143~	
12	992-20050-000	WASHER,INNER TOOTHED	1		C		
13	991-20050-011	NUT,HEX.SLOTTED	1		D		
14	992-00050-011	WASHER,SMALL,5	1		C		
16-2	990-11050-201	SCREW,MX20	1		D	-F097142	
16	990-18050-181	SCREW,5X18	1		D	F097143~	
18	781-11600-200	CLIP,ROPE GUIDE	1		C		
19	992-00050-011	WASHER,SMALL,5	4		C		
20	992-10050-012	WASHER,S,5	4		A		
21	990-51050-153	BOLT,HEX.HOLE,5X15	4		C		
22-1	795-11600-200	STOPPER,ROPE	1		C	-F097142	
22	795-04063-200	STOPPER,ROPE	1		D	F097143~	

* Indicates the part is included in a kit or assembly and is not available individually. Q=Quan. used
C=Interchangeability S=Stocking code: A=Fast moving B=Med. fast C=Med. move D=Slow move
E=N.L.A. F=Superseded or replaced by a new part.
www.manualslib.com. All Manuals Search And Download.

FIG.5 REAR HANDLE

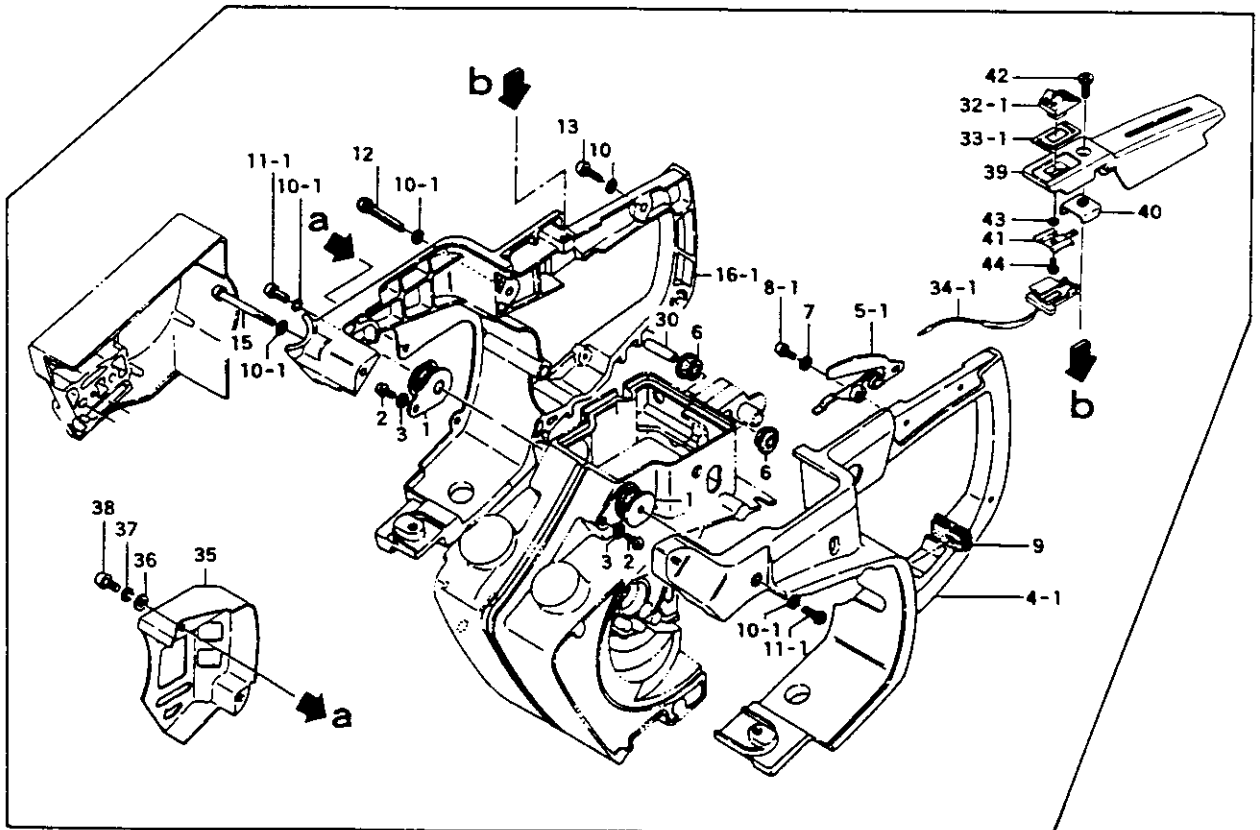
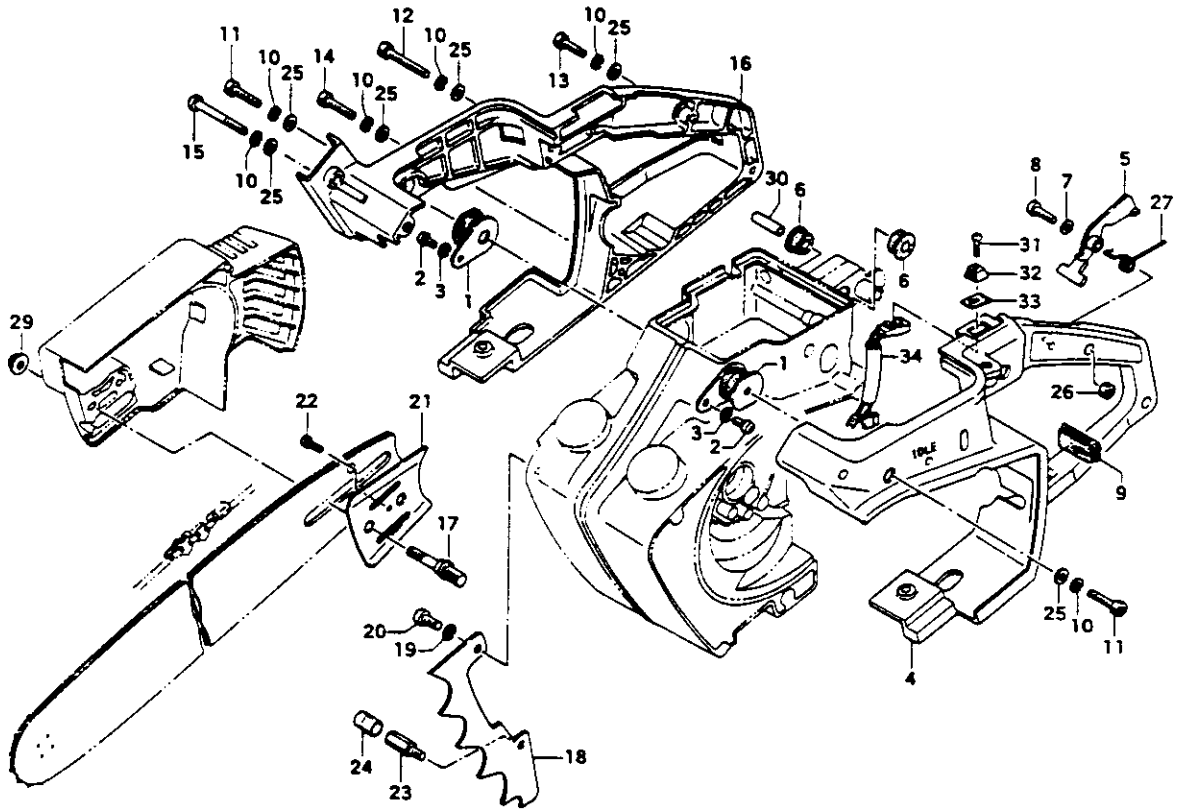


FIGURE 5

ECS-351 PARTS LISTING

REF.	PART NO.	PART DESCRIPTION	Q	C	S	SERIAL NO	REMARKS
1	222-32350-801	DAMPER, SIDE	2		C		
2	990-11050-121	SCREW, 5X12	2		A		
3	992-10050-012	WASHER, S, 5	2		A		
4-1	010-32353-201	HANDLE, REAR, A	1		D	~F144001	
4	010-3236A-801	HANDLE, REAR, A	1		D	F144002~	
5-1	257-32350-212	LEVER, SAFETY	1		D	~F097142	
5	257-32050-202	LEVER, SAFETY	1		D	F097143~	
6	250-32350-201	DAMPER, SAFETY	2		D		
7	992-01030-011	WASHER, 3	1		C		
8-1	990-11030-101	SCREW, 3X10	1		A	~F097142	
8	990-11030-081	SCREW, 3X8	1		D	F097143~	
9	202-01800-202	GROMMET, SECONDARY CORD	1		D		
10	992-10050-012	WASHER, S, 5	7		A		
11-1	990-11050-151	SCREW, 5X15	2		C	~D124640	
11	990-51050-153	BOLT, HEX. HOLE, 5X15	2		C	D124641~	
12	990-51050-403	BOLT, HEX, 5X40	1		D		
13	990-51050-203	BOLT, HEX. HOLE, 5X20	2		C		
14	990-51050-303	BOLT, HEX, 5X30	1		D		
15	990-11050-451	SCREW, 5X45	1		C		
16-1	011-32371-202	HANDLE, REAR, B	1		D	~F144001	
16	011-3236A-801	HANDLE, REAR B	1		D	F144002~	
17	101-32350-200	BOLT, STUD, BAR/CHAIN	2		B		
18	CBS-350	SPIKE, BUCKING	1		D		
19	992-10050-012	WASHER, S, 5	1		A		
20	990-11050-121	SCREW, 5X12	1		A		
21	461-32350-210	PLATE, GUIDE A	1		D		
22	990-11040-061	SCREW, 4X6	1		C		
23	125-32060-210	CATCHER, CHAIN	1		D		
24	700-01012-018	PIPE, FUEL, 10X12X18	1		D		
25	992-00050-011	WASHER, SMALL, 5	7		C		
26	991-78050-010	NUT, LOCK 5	4		C		
27	258-32050-200	SPRING, SAFETY	1		D		
29	121-32350-200	NUT, CLAMP, BAR	2		B		
30	251-32350-200	COLLAR, SAFETY DAMPER	1		C	~F144001	
30	251-3236A-200	COLLAR, SAFETY DAMPER	1		D	F144002~	
31	990-11030-101	SCREW, 3X10	1		A		
32-1	258-04015-202	BUTTON, STOP	1		D	~F097142	
32	173-00700-800	CORD, PRIMARY	1		D	F097143~	
33-1	925-32350-200	DECAL, ON-OFF/CAUTION	1		C	~F097142	

* Indicates the part is included in a kit or assembly and is not available individually. Q=Quan. used
C=Interchangeability S=Stocking code: A=Fast moving B=Med. fast C=Med. move D=Slow move
E=N.L.A. F=Superseded or replaced by a new part

ECS-351 PARTS LISTING

REF.	PART NO.	PART DESCRIPTION	Q	C	S	SERIAL NO.	REMARKS
33	925-32600-200	DECAL,STOP BUTTON	1		D	F097143~	
34-1	178-01800-804	CORD,STOP	1		D	~F097142	
34	170-04064-800	BUTTON,STOP	1		D	F097143~	
35	738-32371-200	PROTECTOR,MUFFLER	1		D		
36	992-00050-011	WASHER,SMALL,5	2		C		
37	992-10050-012	WASHER,S,5	2		A		
38	990-11050-101	SCREW,5X10	2		B		
39	226-32350-202	GRIP,HANDLE B	1		D		
40	272-04015-204	TERMINAL,GROUND	1		D		
41	261-01800-201	TERMINAL,STOP BUTTON	1		D		
42	990-12050-151	SCREW,FH,5X15	1		C	~F097142	
42	990-15050-121	SCREW,5X12	1		D	F097143~	
43	992-00040-011	WASHER,4	1		B		
44	990-11040-061	SCREW,4X6	1		C		

* Indicates the part is included in a kit or assembly and is not available individually. Q=Quan. used
C=Interchangeability S=Stocking code: A-Fast moving B=Med. fast C=Med. move D=Slow move
E=N.L.A. F=Superseded or replaced by a new part

FIG.6 HANDLE

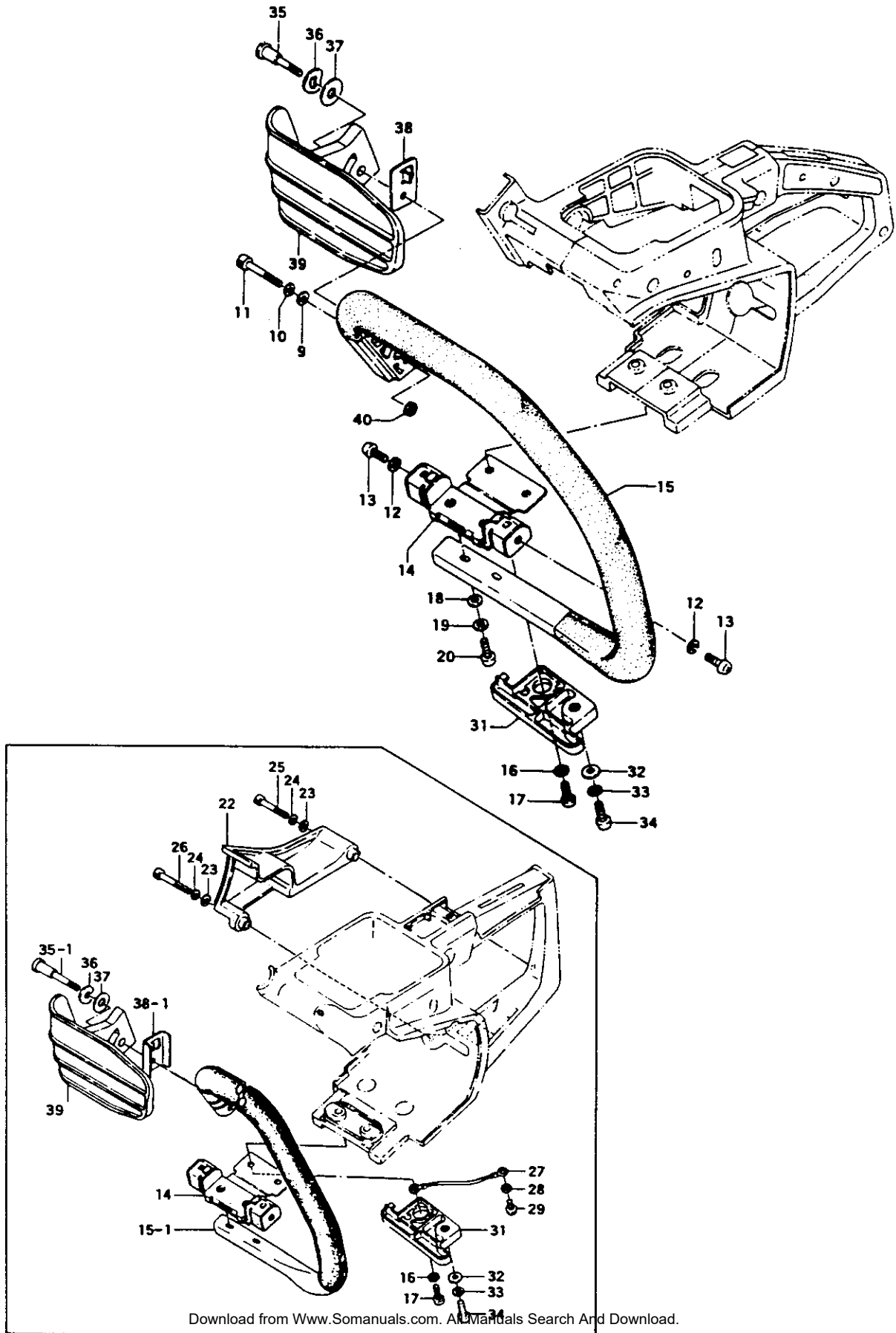


FIGURE 6

ECS-351 PARTS LISTING

REF.	PART NO.	PART DESCRIPTION	Q	C	S	SERIAL NO.	REMARKS
9	992-00050-011	WASHER,SMALL,5	2		C		
10	992-10050-012	WASHER,S,5	2		A		
11	990-51050-253	BOLT,HEX,5X25	2		B		
12	992-10050-012	WASHER,S,5	2		A		
13	990-11050-121	SCREW,5X12	2		A		
14	219-32350-804	DAMPER,FRONT	1		C		
15-1	209-32371-800	HANDLE,FRONT	1		D	~F144001	
15	209-3236A-800	HANDLE,FRONT	1		D	F144002~	
16	992-10050-012	WASHER,S,5	1		A		
17	990-11050-121	SCREW,5X12	1		A		
18	992-01050-011	WASHER,5	2		A		
19	992-10050-012	WASHER,S,5	2		A		
20	990-11050-161	SCREW,5X16	2		B		
22	800-32350-802	GUARD,HAND,REAR	1		D	F097143~	
23	992-00050-011	WASHER,SMALL,5	2		C		
24	992-10050-012	WASHER,S,5	2		A		
25	990-51050-303	BOLT,HEX,5X30	1		D		
26	990-51050-403	BOLT,HEX,5X40	1		D		
27	274-01800-800	CORD,GROUND	1		C		
28	992-10050-012	WASHER,S,5	1		A		
29	990-11050-101	SCREW,5X10	1		B		
31	797-32050-800	COVER,EARTH CORD	1		D		
32	99201050011	WASHER,5	1		A		
33	992-10050-012	WASHER,S,5	1		A		
34	990-11050-161	SCREW,5X16	1		B		
35-1	855-32356-200	BOLT,SPECIAL	1		D	~F097142	
35	855-3236A-200	BOLT,SPECIAL	1		D	F097143~	
36	992-05080-030	WASHER,8	1		C		
37	359-10112-203	WASHER,CLUTCH B	1		A		
38-1	216-32356-201	METAL,HANDLE	1		D	~F097142	
38	216-3236A-200	HOLDER,HANDLE	1		D	F097143~	
39	805-32356-211	GUARD,FRONT HAND	1		D		
40	991-78050-010	NUT,LOCK 5	1		C		

* Indicates the part is included in a kit or assembly and is not available individually. Q=Quan. used
C=Interchangeability S=Stocking code: A=Fast moving B=Med. fast C=Med. move D=Slow move
E=N.L.A. F=Superseded or replaced by a new part

FIG.7 OIL PUMP

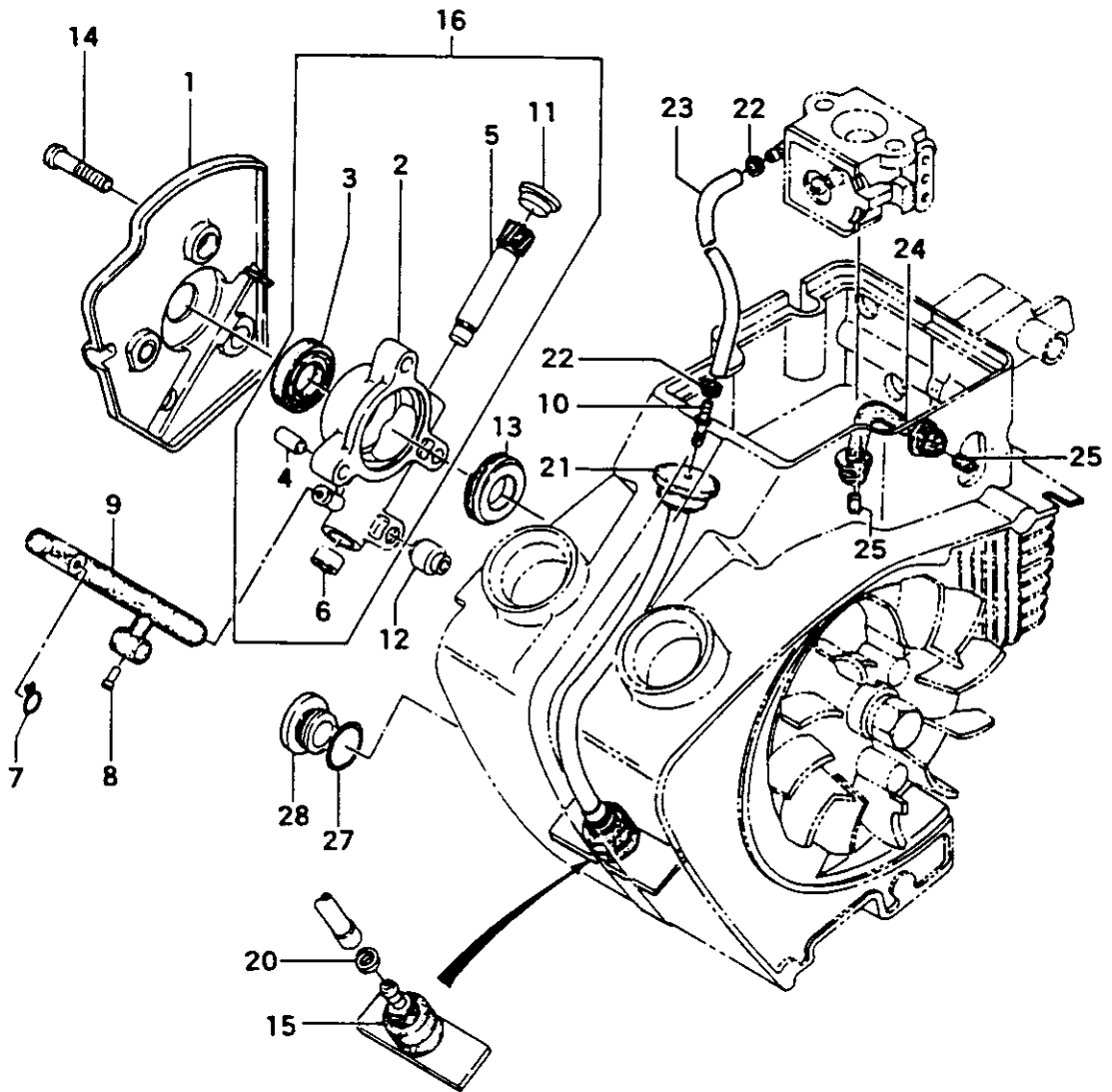


FIGURE 7

ECS-351 PARTS LISTING

REF.	PART NO.	PART DESCRIPTION	Q	C	S	SERIAL NO.	REMARKS
1	097-32350-801	COVER,OIL PUMP	1		D		
2	088-32350-800	CASE,OIL PUMP	1		D		
3	999-66132-420	SEAL,OIL,#AC13246	1		D		
4	999-05040-800	PIN,KNOCK,4X8	1		D		
5	085-32350-201	GEAR,PUMP	1		D		
6	086-32350-211	GROMMET,A	1		D		
7	680-03113-200	CLIP,7.5	1		D		
8	516-32350-201	JET,OIL	1		D		
9	515-32350-201	PIPE,OIL,A	1		D		
10	497-32350-200	JOINT,PIPE	1		C		
11	053-32500-201	GROMMET,B	1		D		
12	622-00604-201	PIPE,AIR	1		D	~F097142	
12	428-32350-200	RUBBER,JOINT	1		D	F097143-	
13	084-32350-200	GEAR,SCREW	1		D		
14	990-11050-221	SCREW,5X22	3		B		
15	675-01801-901	FILTER,FUEL	1		C		
16	088-32350-901	CASE,OIL PUMP,ASS'Y	1		D		
20	680-04019-210	CLIP,7	1		B		
21	678-32350-200	PIPE,SUCTION,RUBBER	1		D		
22	680-00206-200	CLIP,5.5	2		C		
23	700-13005-055	PIPE,FUEL,3X5X55	1		D		
24	565-01800-202	PIPE,OIL,VENT	1		D		
25	56701800200	SPONGE,AIR VENT	2		E		
27	999-67012-500	O-RING,P12.5	1		D		
28	525-32350-201	CAP,OIL LEVEL	1		D		

* Indicates the part is included in a kit or assembly and is not available individually. Q=Quan. used
C=Interchangeability S=Stocking code: A=Fast moving B=Med. fast C=Med. move D=Slow move
E=N.L.A. F=Superseded or replaced by a new part

FIG.8 CARBURETOR

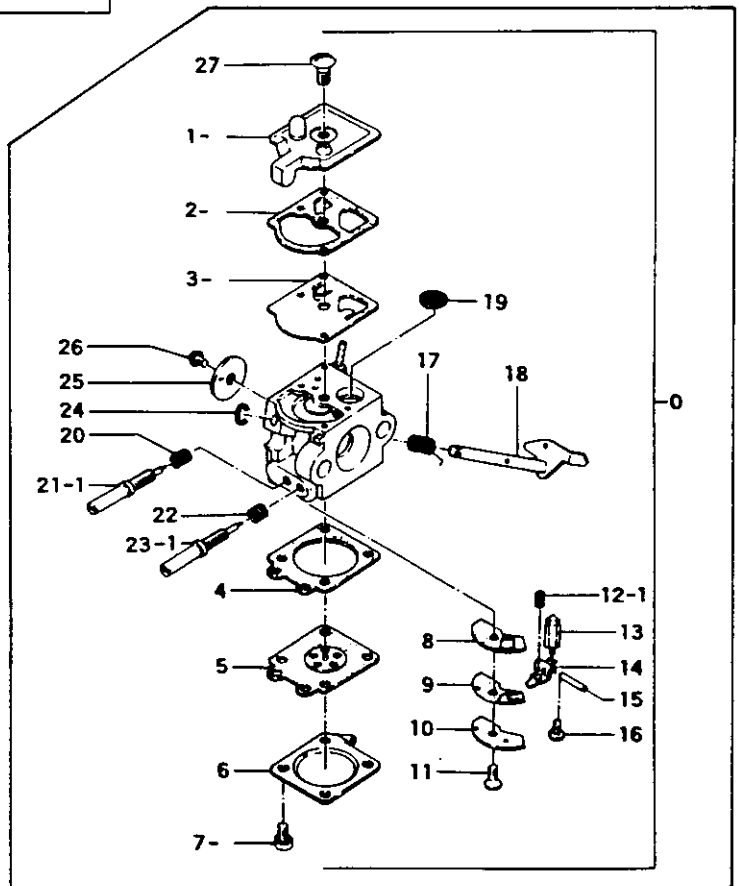
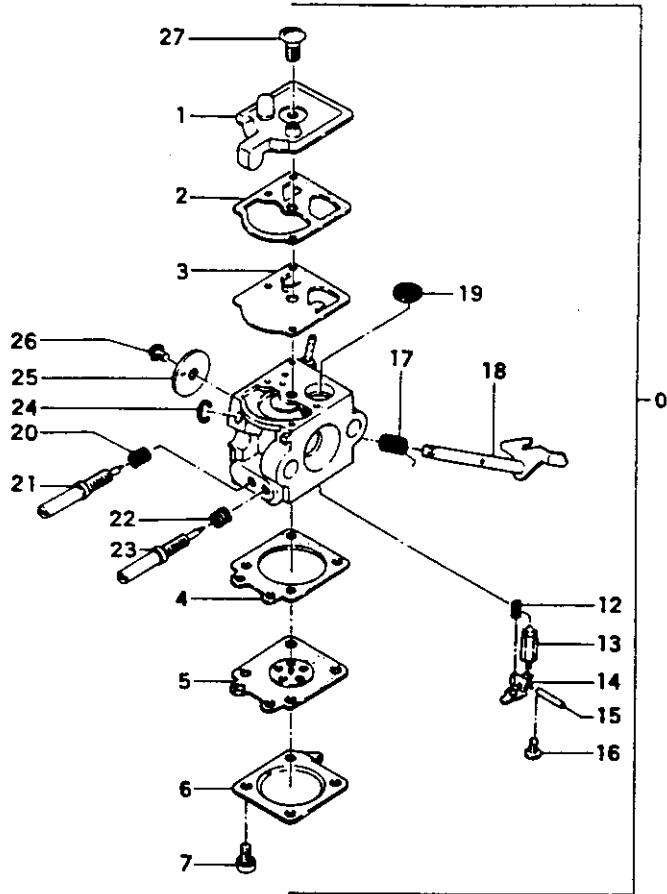


FIGURE 8

ECS-351 PARTS LISTING

REF.	PART NO.	PART DESCRIPTION	Q	C	S	SERIAL NO.	REMARKS
0	455-25024-900	CARBURETOR,ASS'Y	1		D		
1	575-25024-200	BODY,PUMP	1		D		
2	---	*GASKET,PUMP	1		D		
3	---	*DIAPHRAGM,PUMP	1		C		
4	---	*GASKET,DIAPHRAGM	1		A		
5	---	*DIAPHRAGM,METERING	1		A		
6	476-25003-200	COVER,DIAPHRAGM	1		D		* Contained in Carb. Repair Kit 650-25001-910 (Not available individually)
7	548-25012-200	SCREW,SET	4		D		
8	---	*GASKET,CIRCUIT PLATE	1		D		
9	---	*DIAPHRAGM,CHECK VALVE	1		D		
10	523-25001-200	PLATE,CIRCUIT	1		D		
11	524-25001-200	SCREW,CIRCUIT PLATE	1		D		
12-1	477-25003-200	SPRING,VALVE	1		D	-D209450	
12	477-25007-200	SPRING,VALVE	1		D	D209451~	
13	603-25001-200	VALVE,NEEDLE	1		C		
14	---	*HINGE,VALVE	1		C		
15	---	*PIN,FLOAT	1		D		
16	546-25001-200	SCREW,SET,HINGE PIN	1		D		
17	486-25005-200	SPRING,THROTTLE	1		D		
18	464-25003-801	SHAFT,THROTTLE	1		D		
19	---	*SCREEN,INLET	1		C		
20	623-25001-200	SPRING,ADJUST,LOW	1		D		
21-1	46125005200	SCREW,SLOW,ADJUST	1		D	-D209450	
21	461-25016-200	SCREW,LOW ADJUST	1		D	D209451~	
22	485-25003-200	SPRING,ADJUST,HIGH	1		D		
23-1	460-25003-200	SCREW,MAIN ADJUST	1		D	-D209450	
23	460-25016-200	SCREW,HIGH ADJUST	1		D	D209450~	
24	489-25004-200	RING,STOP	1		D		
25	488-25001-200	VALVE,THROTTLE	1		C		
26	467-25003-200	SCREW,SHUTTER	1		C		
27	514-25001-200	SCREW,SET	1		D		

* Indicates the part is included in a kit or assembly and is not available individually. Q=Quan. used
C=Interchangeability S=Stocking code: A=Fast moving B=Med. fast C=Med. move D=Slow move
E=N.L.A. F=Superseded or replaced by a new part

FIG.9 TOOLS

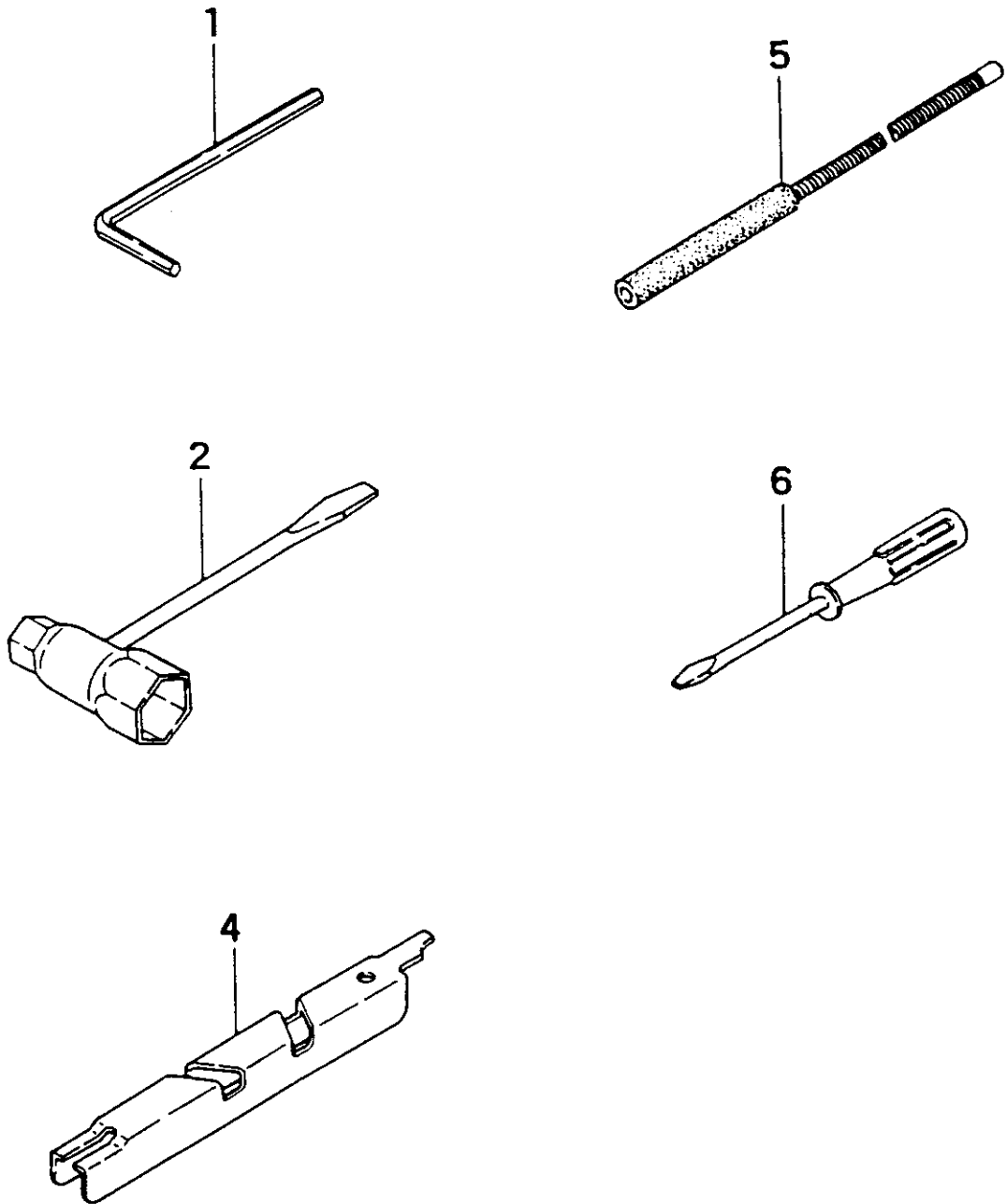


FIGURE 9

ECS-351 PARTS LISTING

REF.	PART NO.	PART DESCRIPTION	Q	C	S	SERIAL NO.	REMARKS
1	813-20000-200	WRENCH,HEX,4	1		D		
2	013-29325-400	SPANNER,BOX,10X19	1		C		
4	CDG-300	GUAGE,DEPTH	1		D		
5	CSF-532	FILE,ROUND,5/32"	1		D		
6	864-20000-210	SCREW DRIVER,STRAIGHT	1		D		

FIG.10 MARKS

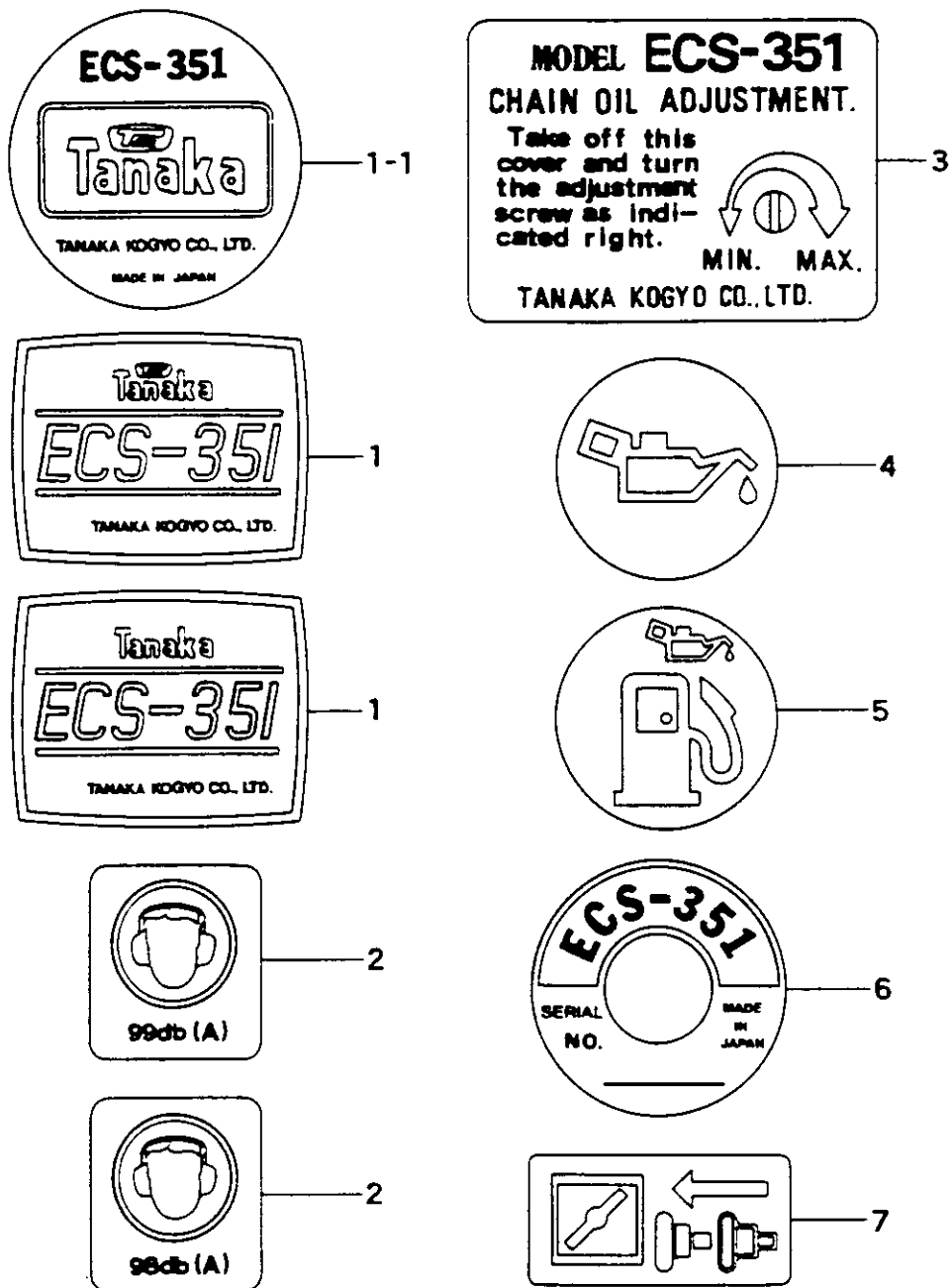


FIGURE 10

ECS-351 PARTS LISTING

REF.	PART NO.	PART DESCRIPTION	Q	C	S	SERIAL NO.	REMARKS
10-1-1	906-32382-200	DECAL	1		D	-F144001	
10-1	906-3236A-201	DECAL	1		D	F144002~	
10-2	931-32378-200	DECAL,CAUTION,HEARING	1		D		
10-3	912-32382-210	DECAL,CLEANER	1		D		
10-4	921-32350-201	DECAL,CAUTION,OIL	1		D		
10-5	920-32600-210	DECAL,FUEL	1		D		
10-6	915-32382-200	DECAL,STARTER	1		D		
10-7	913-32377-200	DECAL,CHOKE	1		D		

Free Manuals Download Website

<http://myh66.com>

<http://usermanuals.us>

<http://www.somanuals.com>

<http://www.4manuals.cc>

<http://www.manual-lib.com>

<http://www.404manual.com>

<http://www.luxmanual.com>

<http://aubethermostatmanual.com>

Golf course search by state

<http://golfingnear.com>

Email search by domain

<http://emailbydomain.com>

Auto manuals search

<http://auto.somanuals.com>

TV manuals search

<http://tv.somanuals.com>