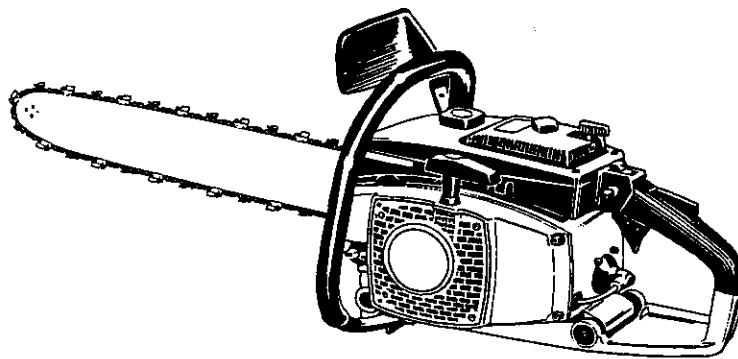


Tanaka

Parts Catalog



ECS-655

Chain Saw

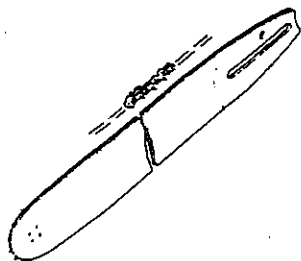
Model: ECS-650/655

Part # 11776 01-15-99

ECS-655

OPTIONS AND ACCESSORIES

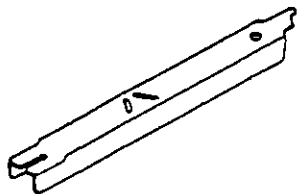
BARS & CHAINS



16 In. Chain 72SG060X
 20 In. Chain 72SG070X
 24 In. Chain 72SG081X

16 In. Bar 160PXDD176
 20 In. Bar 200PXDD176
 24 In. Bar 240RNDD176

16 In. Bar/Chain Kit 844005
 20 In. Bar/Chain Kit 844006
 24 In. Bar/Chain Kit 844007

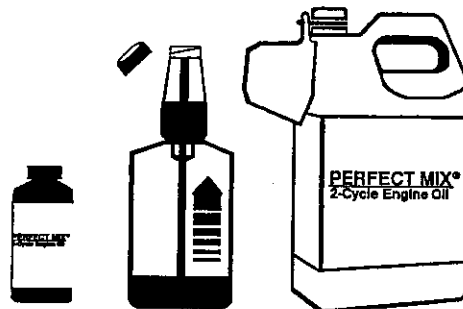


DEPTH GAUGE CDG-600

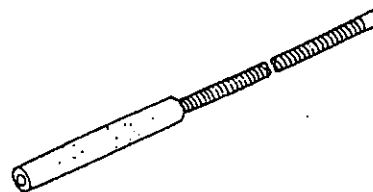
MANUALS & CATALOGS

34765	Owner's Manual
22206	Safety Manual
11792	Parts Catalog

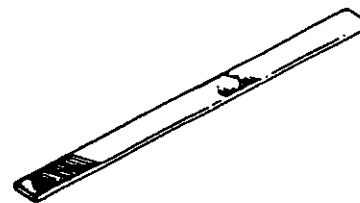
PERFECT MIX® 2-Cycle Engine Oil



700109 2.8 oz. Bottle, 1 Gallon Size (24*)
 700108 16 oz. Self-measuring Bottle (24*)
 700110 1 Gallon Jug Commercial Size (6*)
 * Case Quantity



FILE ASS'Y 5/32 CSF-732



FLAT FILE 8" CSF-800

SPECIAL TOOLS

006-29326-000	Flywheel Remover	001-29000-000	Tachometer
009-29111-080	Piston Pin Remover	070-2000W-500	Pressure Tester
890-32600-200	Clutch Remover	070-2000W-501	Carb. Tool Kit

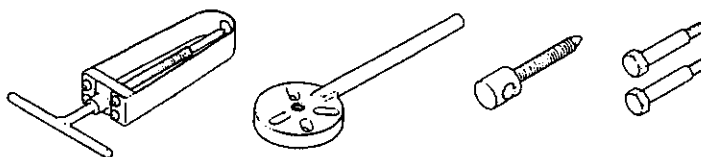


FIGURE 1

ECS-655 PARTS LISTING

REF.	PART NO.	PART DESCRIPTION	Q	C	S	SERIAL NO	REMARKS
1	072-11650-901	CRANKCASE,ASS'Y	1		D	~E055570	Includes bearings, seals & gasket
1	072-11650-911	CRANKCASE,ASS'Y	1		D	E055571~	Includes bearings, seals & gasket
2	999-61620-206	BEARING,BALL,#6202a12	2		C		
3	999-66122-240	SEAL,OIL,12227	1		A		
4	999-66253-512	SEAL,OIL,#25356	1		C		
5	090-11650-200	GASKET,CRANKCASE	1		C		
6-1	505-32600-201	PIPE,OIL,B	1		D	~C189252	
6	505-32600-211	PIPE,OIL,B	1		C	C189253~	
7-1	487-32600-200	OIL,FILTER	1		D	~C189252	
7	486-32530-800	BODY,OIL FILTER	1		D	C189253~	
8-1	046-11650-822	CRANKSHAFT	1		D	~J082070	
8	046-11650-822	CRANKSHAFT	1		D	~K102600	
8	046-11650-850	CRANKSHAFT	1		D	K102601~	
9-1	999-62121-631	BEARING,NEEDLE	1		C	~K102600	
9	999-62121-639	BEARING,NEEDLE,KTV12162	1		C	K102601~	
10	680-04019-210	CLIP,7	1		B	C189253~	
11	036-11666-200	COLLAR,PISTON PIN	2		C	K102601~	
13	071-11600-230	SHIM,16X21X.20	V		D		Shims are "as needed" to obtain correct c/s side clearance.
13	071-11600-240	SHIM,16X21X.30	V		D		
15	068-10100-200	KEY,WOODRUFF,3X13X4.5	1		C		
16	031-11650-212	PISTON	1		C		
17	037-12000-200	PIN,PISTON,12X38.3	1		C		
18	039-12000-201	CIRCLIP,PISTON PIN	2		C		
19	041-11650-220	RING,PISTON	2		B		
20	017-11650-200	GASKET,CYLINDER	1		B		
21	002-11650-210	CYLINDER	1		C		
22	018-11610-21	PLUG,SPARK	1		C		
23-1	155-20752-902	ROTOR,MAGNETO ASS'Y	1		C	~N007370	
23	155-21738-80	ROTOR,MAGNETO	1		C	N007371~	
24	786-00601-200	WASHER,RECOIL STARTER	2		D	~E156100	
24	786-11620-200	WASHER,STARTER	2		C	E156101~	
25	790-11600-200	SPRING,STARTER PAWL	2		B	~N007370	
26	788-11600-210	PAWL,STARTER	2		C	~N007370	
27	793-10200-202	BOLT,STEP	2		C	~N007370	
28	066-00601-200	NUT,FLYWHEEL	1		D		
29	065-00000-200	WASHER,FLYWHEEL	1		D		
30	167-21509-802	COIL,IGNITION	1		C		
31-1	159-21401-870	IGNITOR,TTI-ID	1		B	~E055570	
31	159-21411-870	IGNITOR,TTI-6D	1		C	E055571~	

* Indicates the part is included in a kit or assembly and is not available individually. Q=Quan. used
C=Interchangeability S=Stocking code: A-Fast moving B=Med. fast C=Med. move D=Slow move
E=N.L.A. F=Superseded or replaced by a new part

REF.	PART NO.	PART DESCRIPTION	Q	C	S	SERIAL NO	REMARKS
32	198-05015-800	CLAMP,CORD	1		C		
33	203-04015-202	GROMMET,PRIMARY CORD	1		C		
34	173-11600-800	CORD,PRIMARY	1		C		
35	157-01570-900	CAP,SPARK PLUG,ASS'Y	1		C		
36	198-11600-200	CLAMP,CORD	1		D		
37	755-32600-200	TUBE,CORD INSULATOR	1		D		
38	255-11650-200	COVER,SPARK PLUG	1		D		
39	992-10070-012	WASHER,S,7	1		D		
51	990-51050-303	BOLT,HEX,5X30	8		D		
52-1	990-51050-203	BOLT,HEX.HOLE,5X20	4		C	~M068795	
52	994-61050-205	BOLT,HEX,5X20	4		C	M068796~	
53	990-11040-181	SCREW,4X18	2		D	~G182170	
53	990-11040-221	SCREW,4X22	2		B	G182171~	
54	992-10040-012	WASHER,S,4	2		B		
55	992-00040-011	WASHER,4	2		B		
56	990-11040-161	SCREW,4X16	2		A		
57	992-10040-012	WASHER,S,4	2		B		
61	992-10050-012	WASHER,S,5	V		A		

* Indicates the part is included in a kit or assembly and is not available individually. Q=Quan. used
 C=Interchangeability S=Stocking code: A-Fast moving B=Med. fast C=Med. move D=Slow move
 E=N.L.A. F=Superceded or replaced by a new part

FIG.2 CLUTCH, BRAKE & MUFFLER

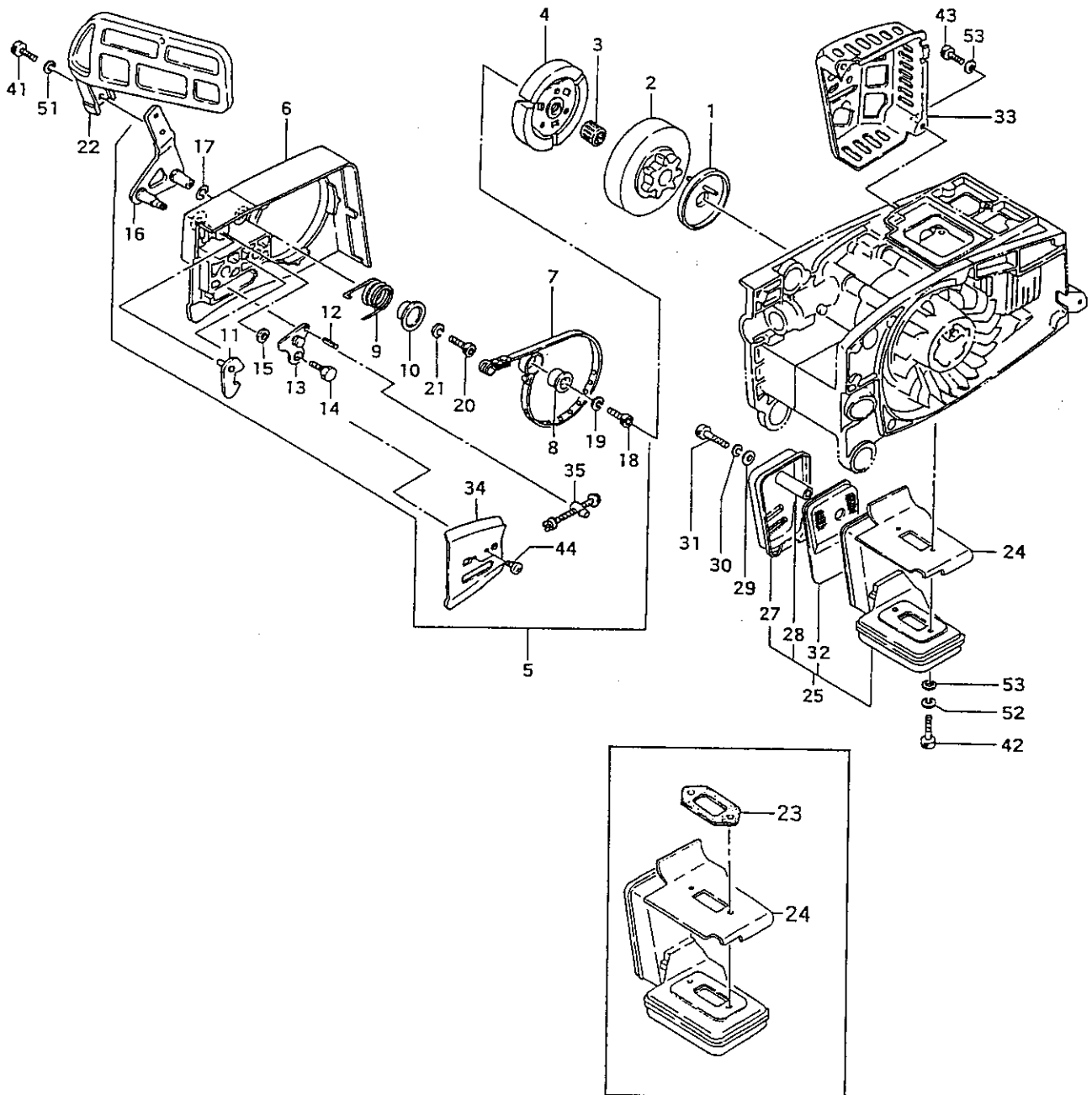


FIGURE 2

ECS-655 PARTS LISTING

REF.	PART NO.	PART DESCRIPTION	Q	C	S	SERIAL NO	REMARKS
1	321-32600-803	WASHER,SPROCKET	1		D		
2	310-11600-801	HOUSING,CLUTCH	1		B		
3	999-62121-505	BEARING,NEEDLE	1		C		
4	287-11600-801	CLUTCH	1		D		
5	040-32600-911	CASE,SIDE,ASS'Y	1		D		
6	040-32600-210	CASE,SIDE	1		C		
7	378-32600-802	BAND,BRAKE	1		C		
8	381-32600-200	BAND,BRAKE,METAL	1		D		
9	374-32600-210	SPRING,BRAKE	1		D		
10	368-32600-200	WASHER,BRAKE SHAFT	1		D		
11	360-32600-800	PLATE,BRAKE RESET	1		D		
12	993-24005-120	PIN,SPRING	1		D		
13	373-32600-801	ARM,BRAKE	1		D		
14	382-32600-200	BOLT,STEP,A	1		D		
15	871-32600-200	WASHER,SPECIAL,B	1		D		
16	361-32600-801	LEVER,BRAKE	1		D		
17	034-31200-250	SHIM,8.2X12.5X.50	1		D		
18	990-51050-123	BOLT,HEX,5X12	1		C		
19	992-10050-012	WASHER,S,5	1		A		
20	990-51050-103	BOLT,HEX.HOLE,5X10	1		C		
21	992-10050-012	WASHER,S,5	1		A		
22	380-32600-803	HANDLE,BRAKE	1		D		
23	737-11600-210	GASKET,MUFFLER	2		D	-C189252	
24	744-11600-21	SHIELD,HEAT	1		C		
25	705-11653-910	MUFFLER,ASS'Y	1		D		
27	717-11653-201	BODY,MUFFLER B	1		D		
28	740-11603-210	COLLAR,MUFFLER CLAMP 30	1		D		
29	368-32350-200	WASHER,BRAKE SHAFT	1		C		
30	992-10050-012	WASHER,S,5	1		A		
31	990-51050-453	BOLT,HEX,5X45	1		C		
32	732-11603-201	PLATE,PARTITION	1		D		
33	738-11600-203	PROTECTOR,MUFFLER	1		C		
34	462-32600-201	PLATE,GUIDE B	1		D		
35	116-32600-901	BOLT,CHAIN TENSION,ASS'Y	1		C		
41	990-51050-103	BOLT,HEX.HOLE,5X10	2		C		
42	990-51050-453	BOLT,HEX,5X45	2		C	-D275496	
42	990-51050-353	BOLT,HEX.HOLE,5X35	2		C	D275497~	
43	990-51050-103	BOLT,HEX.HOLE,5X10	1		C		

* Indicates the part is included in a kit or assembly and is not available individually. Q=Quan. used
C=Interchangeability S=Stocking code: A=Fast moving B=Med. fast C=Med. move D=Slow move
E=N.L.A. F=Superseded or replaced by a new part

ECS-655 PARTS LISTING

REF.	PART NO.	PART DESCRIPTION	Q	C	S	SERIAL NO.	REMARKS
44	990-11030-061	SCREW,3X6	2		D		
51	992-10050-012	WASHER,S,5	2		A		
52	992-10050-062	WASHER,S,5	2		D		
53	992-00050-061	WASHER,SMALL,5	3		D		

* Indicates the part is included in a kit or assembly and is not available individually. Q=Quan. used
 C=Interchangeability S=Stocking code: A-Fast moving B=Med. fast C=Med. move D=Slow move
 E=N.L.A. F=Superceded or replaced by a new part

FIG.3 CLEANER & CARBURETOR

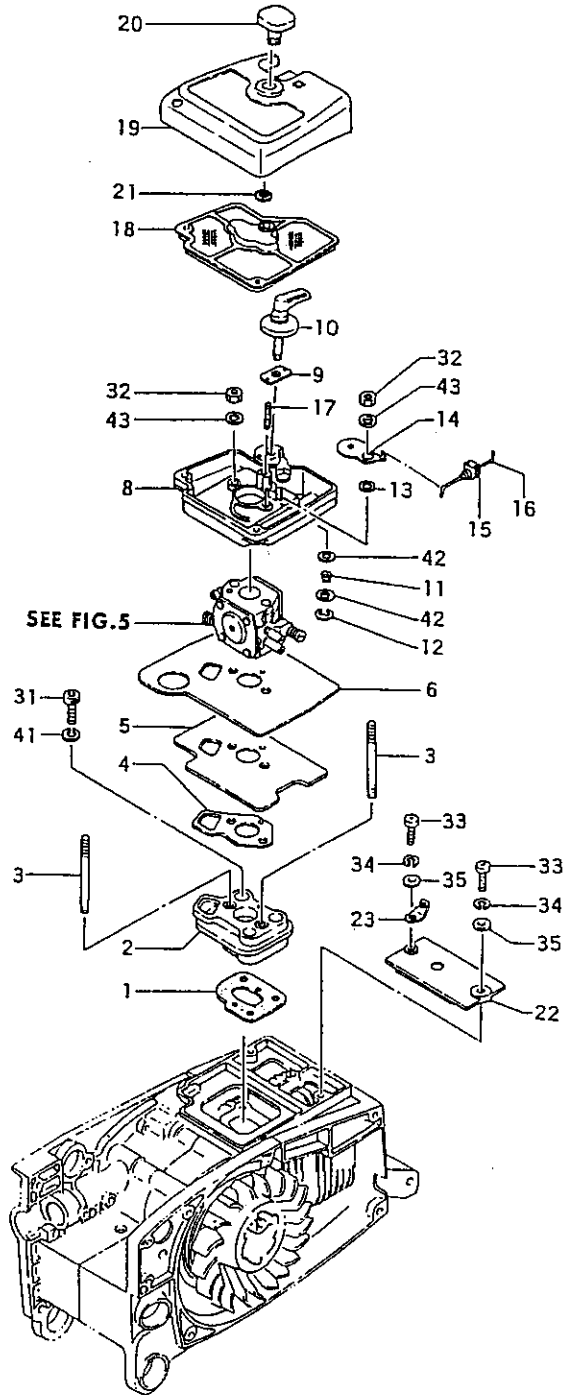


FIGURE 3

ECS-655 PARTS LISTING

REF.	PART NO.	PART DESCRIPTION	Q	C	S	SERIAL NO	REMARKS
1	403-11650-201	GASKET,INLET MANIFOLD	1		C		
2	404-11650-810	INSULATOR,CARBURETOR	1		C	-M068925	
2	404-11660-80	INSULATOR,CARBURETOR	1		D	M068926~	
3	100-11622-200	STUD,5X60	2		C		
4	402-11653-200	GASKET,CARBURETOR	1		D		
5	133-11650-200	SHIELD,HEAT	1		C		
6	402-11658-200	GASKET,CARBURETOR	1		C		
8	423-11600-204	BODY,AIR CLEANER	1		D		
9	710-32600-201	PLATE,SET,CHOKE	1		D		
10	704-32650-800	BUTTON,CHOKE	1		D		
11	308-36100-201	SPRING,ADJUSTER A	1		C		
12	993-55040-001	RING,STOP	1		D		
13	708-32350-200	SHIM,5.2X8X.80	1		C		
14	700-32600-211	VALVE,CHOKE	1		D		
15	707-32600-200	HOLDER,CHOKE ROD	1		D		
16	706-32600-210	ROD,CHOKE	1		D		
17	100-11601-201	BOLT,STUD,4X21	1		D		
18	420-11600-810	ELEMENT,CLEANER	1		B		
19	051-32610-220	COVER,CLEANER	1		C		
20	175-32600-810	KNOB,CLEANER	1		C		
21	993-52009-002	RING,STOP,S-9 EX	1		C		
22	188-32600-210	PLATE,SHUTTER	1		D		
23	205-11600-201	TAB,TERMINAL	1		D		
31	990-51050-223	BOLT,HEX,5X22	3		C	-M068925	
31	990-51050-253	BOLT,HEX,5X25	3		B	M068926~	
32	991-78050-010	NUT,LOCK 5	2		C		
33	990-11040-121	SCREW,4X12	2		B		
34	992-10040-012	WASHER,S,4	2		B		
35	992-00040-011	WASHER,4	2		B		
41	992-10050-062	WASHER,S,5	3		D		
42	992-00060-011	WASHER,SMALL,6	2		C		
43	992-01050-011	WASHER,5	2		A		

* Indicates the part is included in a kit or assembly and is not available individually. Q=Quan. used
C=Interchangeability S=Stocking code: A=Fast moving B=Med. fast C=Med. move D=Slow move
E=N.L.A. F=Superceded or replaced by a new part

FIG.4 RECOIL STARTER

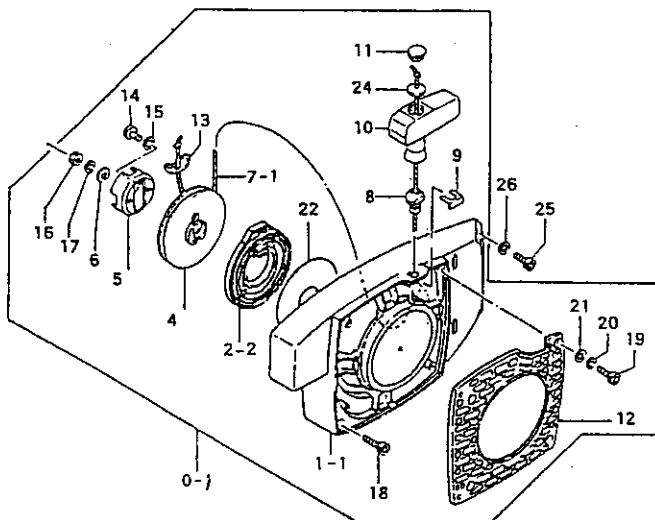
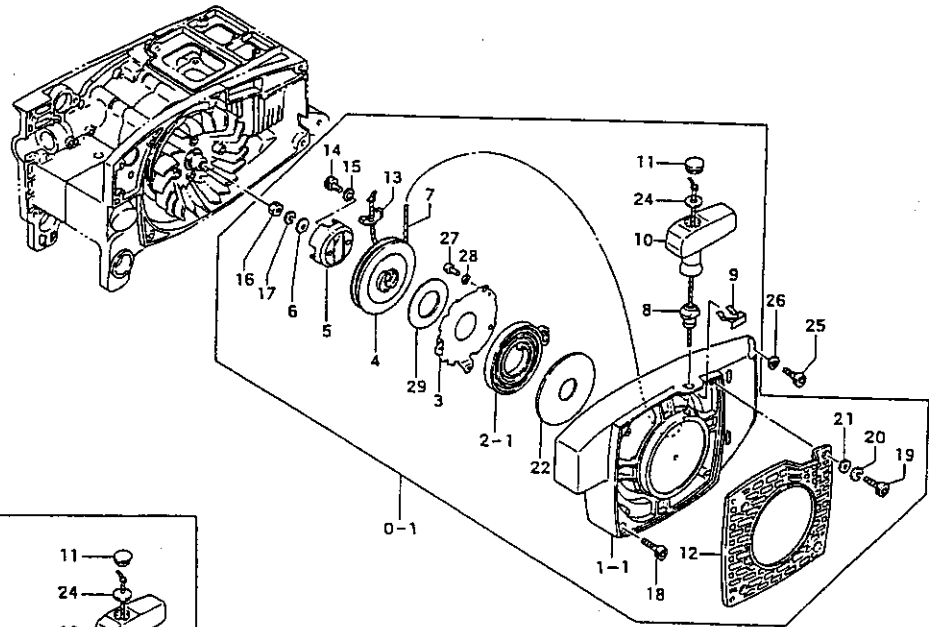
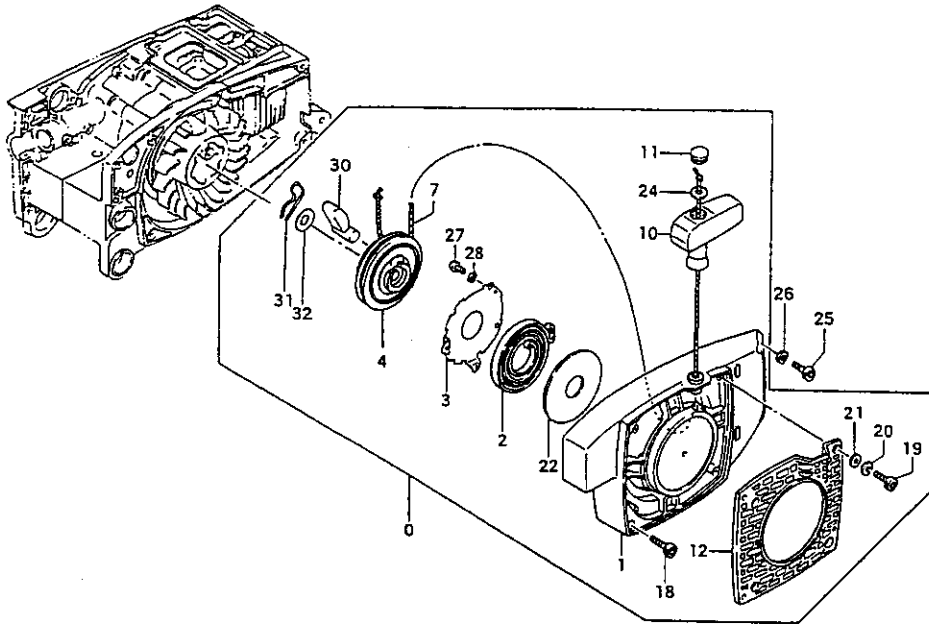


FIGURE 4

ECS-655 PARTS LISTING

REF.	PART NO.	PART DESCRIPTION	Q	C	S	SERIAL NO	REMARKS
0-1	756-11622-900	STARTER,RECOIL ASS'Y	1		C	~N007370	
0	756-11622-91	STARTER,RECOIL ASS'Y	1		C	N007371~	
1-1	112-11600-805	CASE,FAN	1		D	~N007370	
1-1	112-11622-80	CASE,FAN	1		C	N007371~	
2-2	778-11600-911	CASE,RECOIL SPRING,ASS'Y	1		C	~G182170	
2-1	779-11620-20	SPRING,RECOIL	1		B	M068796~	
3	778-11622-200	PANEL,STARTER	1		D	F135301~	
4	774-11600-820	PULLEY,STARTER	1		C	~N007370	
5	773-11600-201	PULLEY,SHAFT/OUTER	1		C		
6	182-11600-200	WASHER,SPECIAL	1		C		
7	783-11622-20	R-B 7831162120 ROPE	1		F		
8	780-11600-201	GUIDE,ROPE	1		C		
9	781-11600-200	CLIP,ROPE GUIDE	1		D	~M130823	
9	781-11621-20	CLIP,ROPE GUIDE	1		D	~N007370	
10	785-11600-202	HANDLE,STARTER	1		D		
11	833-10207-200	CAP,STARTER HANDLE	1		D		
12	805-32650-201	PLATE,DAMPER	1		D		
13	782-11600-21	RECEIVER,ROPE	1		D		
14	990-51040-103	BOLT,HEX.HOLE,4X10	2		A		
15	992-10040-012	WASHER,S,4	2		A		
16	991-01050-013	NUT,5	1		C		
17	992-10050-012	WASHER,S,5	1		A		
18	990-51050-223	BOLT,HEX,5X22	2		C		
19	990-51040-123	BOLT,HEX.HOLE,4X12	4		C		
20	992-10040-012	WASHER,S,4	4		A		
21	992-00040-011	WASHER,4	4		B		
22	827-11660-200	PLATE,RECOIL SPRING	1		C		
24	795-11600-200	STOPPER,ROPE	1		D		
25	990-51050-153	BOLT,HEX.HOLE,5X15	2		C		
26	992-00050-011	WASHER,SMALL,5	2		B		
27	990-11030-061	SCREW,3X6	3		C		
28	992-10030-012	WASHER,S.,3	3		C		
29	801-11622-200	WASHER,PULLEY	1		D		
1	112-11622-80	CASE,FAN	1		C	N007371~	New style recoil starter system (Ref 0)
2	779-11620-20	SPRING,RECOIL	1		B	"	Can be fitted to older units if the
3	778-11622-200	PANEL,STARTER	1		D	"	Mag. rotor 155-21738-80 is fitted
4	774-11620-20	PULLEY,STARTER	1		C	"	(see fig. 1)
7	783-11621-200	ROPE,STARTER	1		D	"	
10	785-11600-202	HANDLE,STARTER	1		D	"	

* Indicates the part is included in a kit or assembly and is not available individually. Q=Quan. used
C=Interchangeability S=Stocking code: A=Fast moving B=Med. fast C=Med. move D=Slow move
E=N.L.A. F=Superceded or replaced by a new part

FIGURE 4 cont.

ECS-655 PARTS LISTING

REF.	PART NO.	PART DESCRIPTION	Q	C	S	SERIAL NO.	REMARKS
11	833-10207-200	CAP,STARTER HANDLE	1		C		
12	805-32650-201	PLATE,DAMPER	1		C		
18	990-51050-223	BOLT,HEX,5X22	2		C		
19	990-51040-123	BOLT,HEX.HOLE,4X12	4		C		
20	992-10040-012	WASHER,S,4	4		A		
21	992-00040-011	WASHER,4	4		B		
22	827-11660-200	PLATE,RECOIL SPRING	1		C		
24	795-11600-200	STOPPER,ROPE	1		D		
25	990-51050-153	BOLT,HEX.HOLE,5X15	2		C		
26	992-00050-011	WASHER,SMALL,5	2		B		
27	990-11030-061	SCREW,3X6	3		C		
28	992-10030-012	WASHER,S.,3	3		C		
30	788-11620-20	PAWL,STARTER	1		C		
31	836-11620-20	SPRING,FRICITION	1		C		
32	034-31200-250	SHIM,8.2X12.5X.50	1		D		

* Indicates the part is included in a kit or assembly and is not available individually. Q=Quan. used
 C=Interchangeability S=Stocking code: A-Fast moving B=Med. fast C=Med. move D=Slow move
 E=N.L.A. F=Superceded or replaced by a new part

FIG.5 CARBURETOR

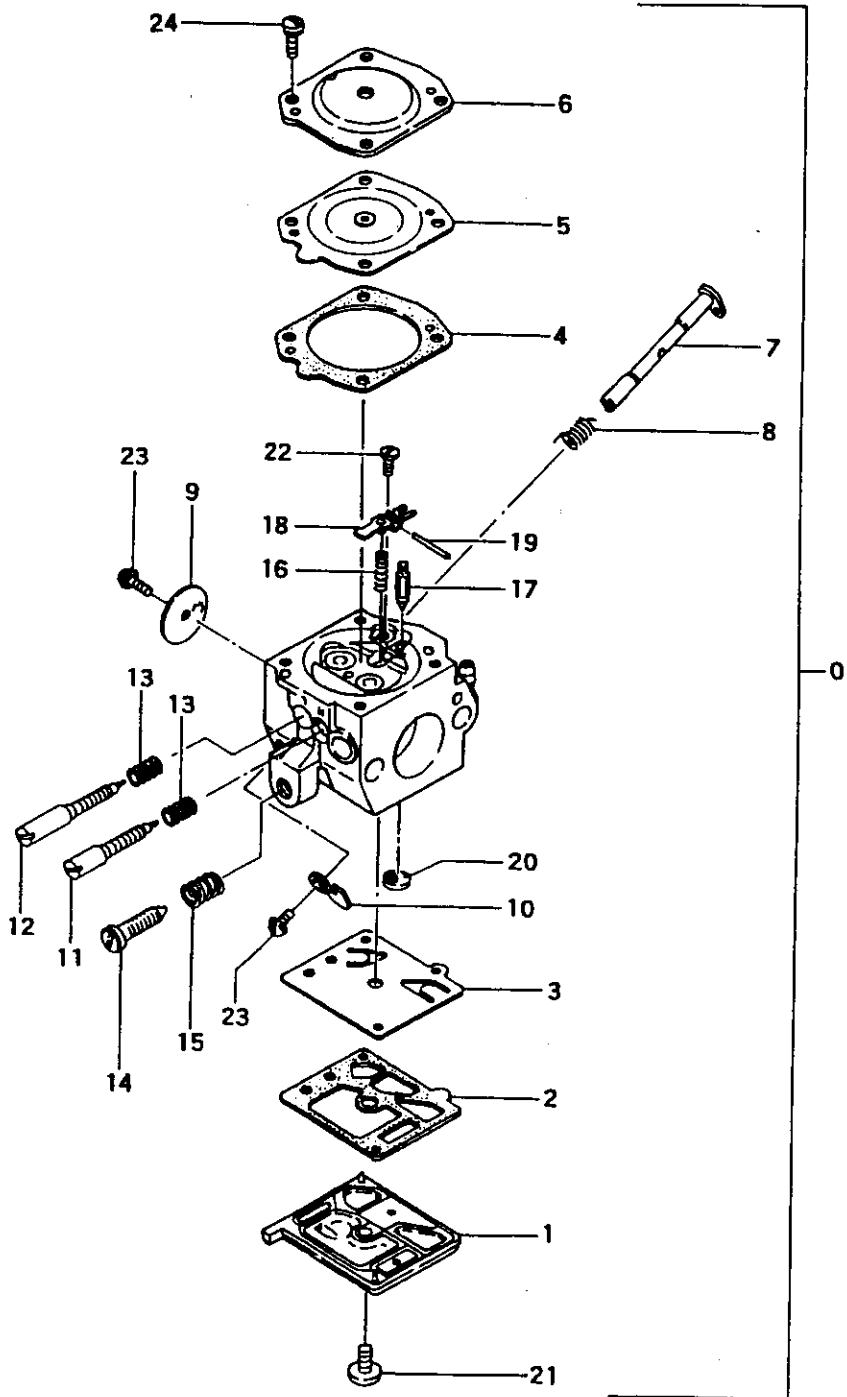


FIGURE 5

ECS-655 PARTS LISTING

REF.	PART NO.	PART DESCRIPTION	Q	C	S	SERIAL NO	REMARKS
0	455-25012-902	CARBURETOR,ASS'Y	1		C	~M068925	
0	455-25036-90	CARBURETOR,ASS'Y	1		D	M068926~	
1	575-25012-200	BODY,PUMP	1		D		
2	----	*GASKET,PUMP	1		C		
3	----	*DIAPHRAGM,PUMP	1		C		
4	----	*GASKET,DIAPHRAGM	1		C		* Contained in Carb. Repair Kit 650-25012-910
5	----	*DIAPHRAGM,METERING	1		C		Not available individually
6	476-25012-201	COVER,DIAPHRAGM	1		D		
7	464-25012-800	SHAFT,THROTTLE	1		D		
8	486-25012-200	SPRING,THROTTLE	1		D		
9	488-25001-200	VALVE,THROTTLE	1		C		
10	559-25012-200	PLATE,STOP	1		D		
11	460-25012-201	SCREW,HIGH ADJUST	1		D	~D055565	
11	460-25012-210	SCREW,HIGH ADJUST	1		D	~M068925	
11	460-25036-20	SCREW,HIGH ADJUST	1		D	M068926~	
12	461-25012-201	SCREW,LOW ADJUST	1		D	~D055565	
12	461-25012-210	SCREW,LOW ADJUST	1		D	~M068925	
12	461-25036-20	SCREW,LOW ADJUST	1		D	M068926~	
13	623-25001-200	SPRING,ADJUST,LOW	2		D		
14	462-25016-200	SCREW,IDLE ADJUST	1		D		
15	463-25012-200	SPRING,IDLE ADJUST	1		D		
16	477-25012-200	SPRING,VALVE	1		D		
17	----	*VALVE,NEEDLE	1		C		
18	----	*LEVER,CONTROL	1		D		
19	----	*PIN,FLOAT	1		D		
20	----	*SCREEN,INLET	1		C		
21	514-25012-200	SET,SCREW	1		D		
22	546-25001-200	SCREW,SET,HINGE PIN	1		D		
23	467-25003-200	SCREW,SHUTTER	2		C		
24	548-25012-200	SCREW,SET	4		D		

* Indicates the part is included in a kit or assembly and is not available individually. Q=Quan. used
C=Interchangeability S=Stocking code: A=Fast moving B=Med. fast C=Med. move D=Slow move
E=N.L.A. F=Superseded or replaced by a new part

FIG.6 REAR HANDLE

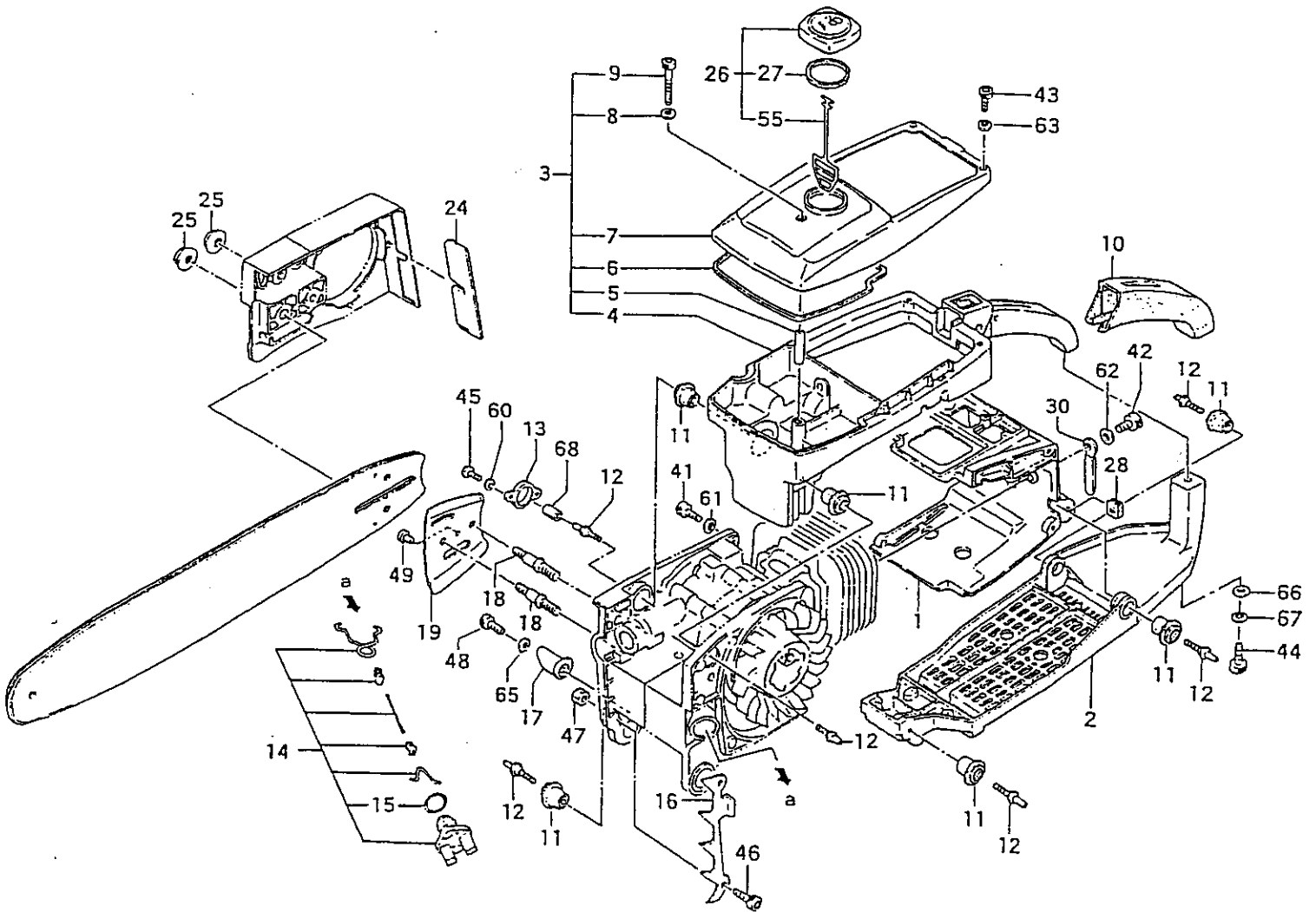


FIGURE 6

ECS-655 PARTS LISTING

REF.	PART NO.	PART DESCRIPTION	Q	C	S	SERIAL NO	REMARKS
1	016-11600-211	COVER,CYLINDER	1		D	-C189252	
1	016-11600-212	COVER,CYLINDER	1		D	C189253~	
2	002-32600-21	BASE,ENGINE	1		C		
3	010-32600-910	HANDLE,REAR,A	1		D		
4	010-32600-211	HANDLE,REAR,A	1		C		
5	096-11600-200	COLLAR	1		D		
6	605-32600-201	GASKET,TANK	1		C		
7	600-32600-203	COVER,TANK	1		D		
8	317-11401-200	GASKET,GROMMET	1		D		
9	990-51050-453	BOLT,HEX,5X45	1		C		
10	227-32600-212	GRIP,REAR HANDLE	1		D		
11	219-32600-821	DAMPER,FRONT	6		C		
12	295-32600-202	BOLT,DAMPER A	6		D		
13	224-32600-200	CAP,DAMPER	1		D		
14	642-32650-901	CAP,OIL ASS'Y	1		C		
15	999-67020-000	O-RING,P20	1		C		
16	CBS--650-	SPIKE,BUCKING	1		D		
17	125-32600-201	CATCHER,CHAIN	1		D		
18	101-32600-20	BOLT,STUD,BAR/CHAIN	2		C		
19	461-32600-202	PLATE,GUIDE A	1		D		
24	325-32600-201	PLATE,CHAIN PROTECTOR	1		C		
25	121-32600-200	NUT,CLAMP,BAR	2		C		
26	635-32615-910	CAP,FUEL TANK ASS'Y	1		C		
27	642-11600-200	GASKET,TANK CAP	1		C		
28	203-0604A-202	GROMMET	1		C		
30	198-05015-800	CLAMP,CORD	1		C		
41	990-51050-153	BOLT,HEX.HOLE,5X15	2		C		
42	990-51050-153	BOLT,HEX.HOLE,5X15	2		C		
43	990-51040-103	BOLT,HEX.HOLE,4X10	2		A		
44	990-51050-203	BOLT,HEX.HOLE,5X20	1		C		
45	990-11040-081	SCREW,4X8	2		C		
46	990-51050-123	BOLT,HEX,5X12	2		C		
47	991-78050-010	NUT,LOCK 5	2		C		
48	990-51050-183	BOLT,HEX,5X18	1		D		
49	990-11040-081	SCREW,4X8	1		C		
55	626-32810-200	CHAIN,TANK CAP	1		D		
60	992-00040-011	WASHER,4	2		B		
61	992-00050-011	WASHER,SMALL,5	2		C		
62	992-00050-011	WASHER,SMALL,5	2		C		

* Indicates the part is included in a kit or assembly and is not available individually. Q=Quan. used
C=Interchangeability S=Stocking code: A-Fast moving B=Med. fast C=Med. move D=Slow move
E=N.L.A. F=Superseded or replaced by a new part

FIGURE 6 cont.

ECS-655 PARTS LISTING

REF.	PART NO.	PART DESCRIPTION	Q	C	S	SERIAL NO.	REMARKS
63	992-00040-011	WASHER,4	2		B		
65	992-00050-011	WASHER,SMALL,5	1		C		
66	992-00050-011	WASHER,SMALL,5	1		C		
67	992-10050-012	WASHER,S,5	1		A		
68	700-15008-014	PIPE,FUEL,5X8X14	1		C		

* Indicates the part is included in a kit or assembly and is not available individually. Q=Quan. used
 C=Interchangeability S=Stocking code: A-Fast moving B=Med. fast C=Med. move D=Slow move
 E=N.L.A. F=Superceded or replaced by a new part

FIG.7 OIL PUMP & HANDLE

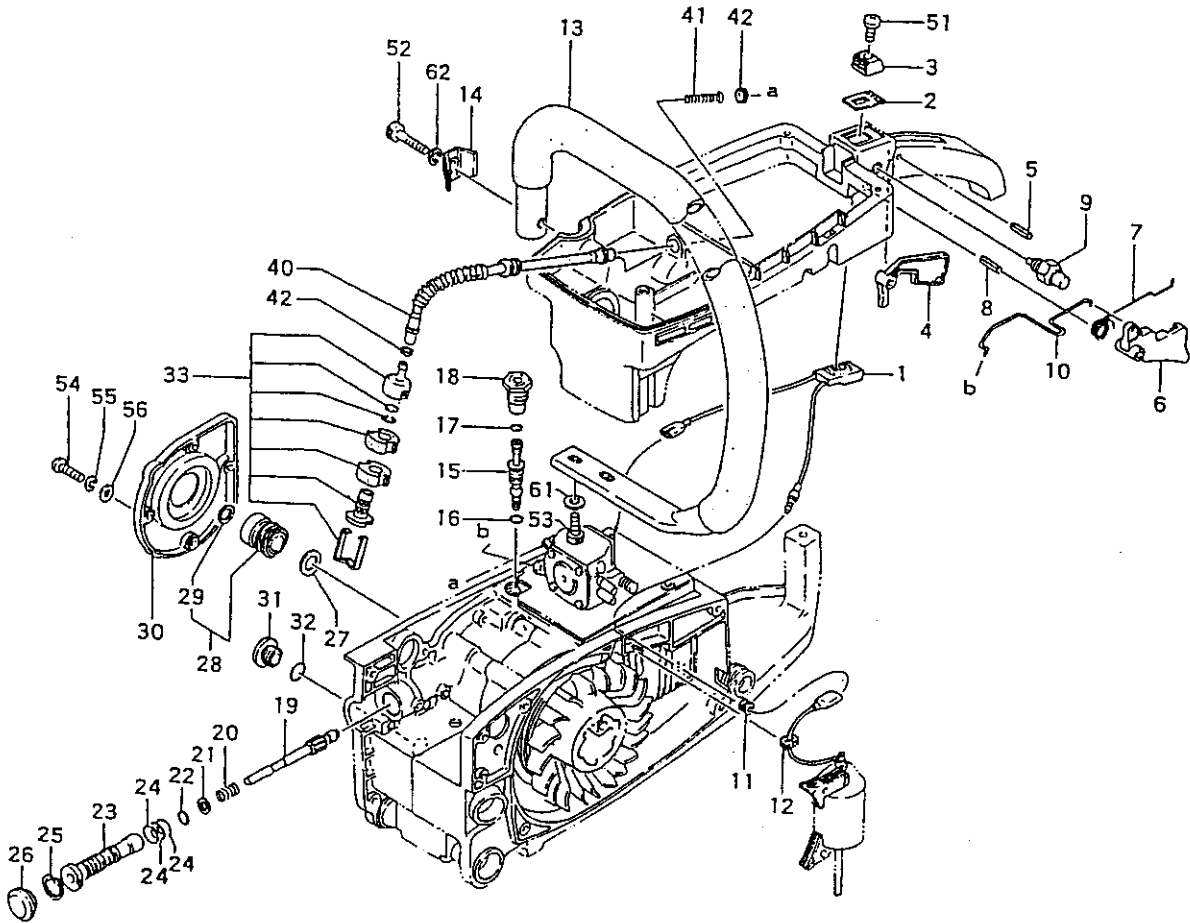


FIGURE 7

ECS-655 PARTS LISTING

REF.	PART NO.	PART DESCRIPTION	Q	C	S	SERIAL NO	REMARKS
1	170-11600-802	BUTTON,STOP	1		C		
2	925-32600-200	DECAL,STOP BUTTON	1		D		
3	258-11650-20	BUTTON,STOP	1		C		
4	257-32600-201	LEVER,SAFETY	1		D		
5	993-24004-180	PIN,SPRING	1		D		
6	060-32600-211	LEVER,THROTTLE	1		D		
7	061-32600-201	SPRING,THROTTLE LEVER	1		D		
8	993-26005-254	PIN,SPRING,5X25	1		D		
9	064-33225-800	PIN,PUSH	1		C		
10	490-32650-201	ROD,THROTTLE	1		B		
11	203-04015-202	GROMMET,PRIMARY CORD	1		C		
12	203-06000-200	GROMMET,PRIMARY CORD	1		C	~C189252	
12	203-11660-200	GROMMET,PRIMARY CORD	1		D	C189253~	
13	209-32650-800	HANDLE,FRONT	1		D		
14	211-32600-200	SUPPORT,FRONT HANDLE	1		D		
15	501-32600-210	ADJUSTER,OIL PUMP	1		D		
16	999-67006-000	O-RING,P-6	1		D		
17	999-67005-012	O-RING,S-5	1		D		
18	503-32600-200	CAP,OIL PUMP ADJUSTER	1		D		
19	085-32600-210	GEAR,PUMP	1		D		
20	099-32600-202	SPRING,GEAR,PUMP	1		D		
21	870-32600-200	WASHER,SPECIAL,A	1		D		
22	999-67006-012	O-RING,S-6	1		C		
23	071-32600-800	CYLINDER,OIL PUMP	1		D		
24	999-67009-012	O-RING,S-9	3		C		
25	993-51016-002	RING,STOP,16	1		D		
26	052-32500-200	GROMMET,RUBBER A	1		D		
27	430-32600-200	WASHER,THRUST	1		D		
28	084-32600-903	GEAR,SCREW,ASS'Y	1		D		
29	999-66121-626	SEAL,OIL,#12163	1		D		
30	097-32600-210	COVER,OIL PUMP	1		D		
31	525-32350-201	CAP,OIL LEVEL	1		D		
31	525-32530-200	CAP,OIL	1		D		
32	999-67012-500	O-RING,P12.5	1		D		
32	999-67020-000	O-RING,P20	1		C		
33	675-01630-900	FILTER,FUEL	1		A		
40	678-11650-201	PIPE,RUBBER	1		B		
41	512-11600-200	COIL,PROTECTION	1		D		
42	680-04019-210	CLIP,7	2		B		

* Indicates the part is included in a kit or assembly and is not available individually. Q=Quan. used
C=Interchangeability S=Stocking code: A=Fast moving B=Med. fast C=Med. move D=Slow move
E=N.L.A. F=Superseded or replaced by a new part

FIGURE 7 cont.

ECS-655 PARTS LISTING

REF.	PART NO.	PART DESCRIPTION	Q	C	S	SERIAL NO.	REMARKS
51	990-11030-101	SCREW,3X10	1		B		
52	990-51080-353	BOLT,HEX.HOLE,8X35	1		D		
53	990-51050-183	BOLT,HEX,5X18	2		D	~C189252	
53	990-51050-153	BOLT,HEX.HOLE,5X15	2		C	C189253~	
54	990-11040-101	SCREW,4X10	4		A		
55	992-10040-012	WASHER,S,4	4		B		
56	992-00040-011	WASHER,4	4		B		
61	992-01050-011	WASHER,5	2		A		
62	992-10080-012	WASHER,S,8	1		B		

* Indicates the part is included in a kit or assembly and is not available individually. Q=Quan. used
 C=Interchangeability S=Stocking code: A-Fast moving B=Med. fast C=Med. move D=Slow move
 E=N.L.A. F=Superceded or replaced by a new part

FIG. 8 TOOLS

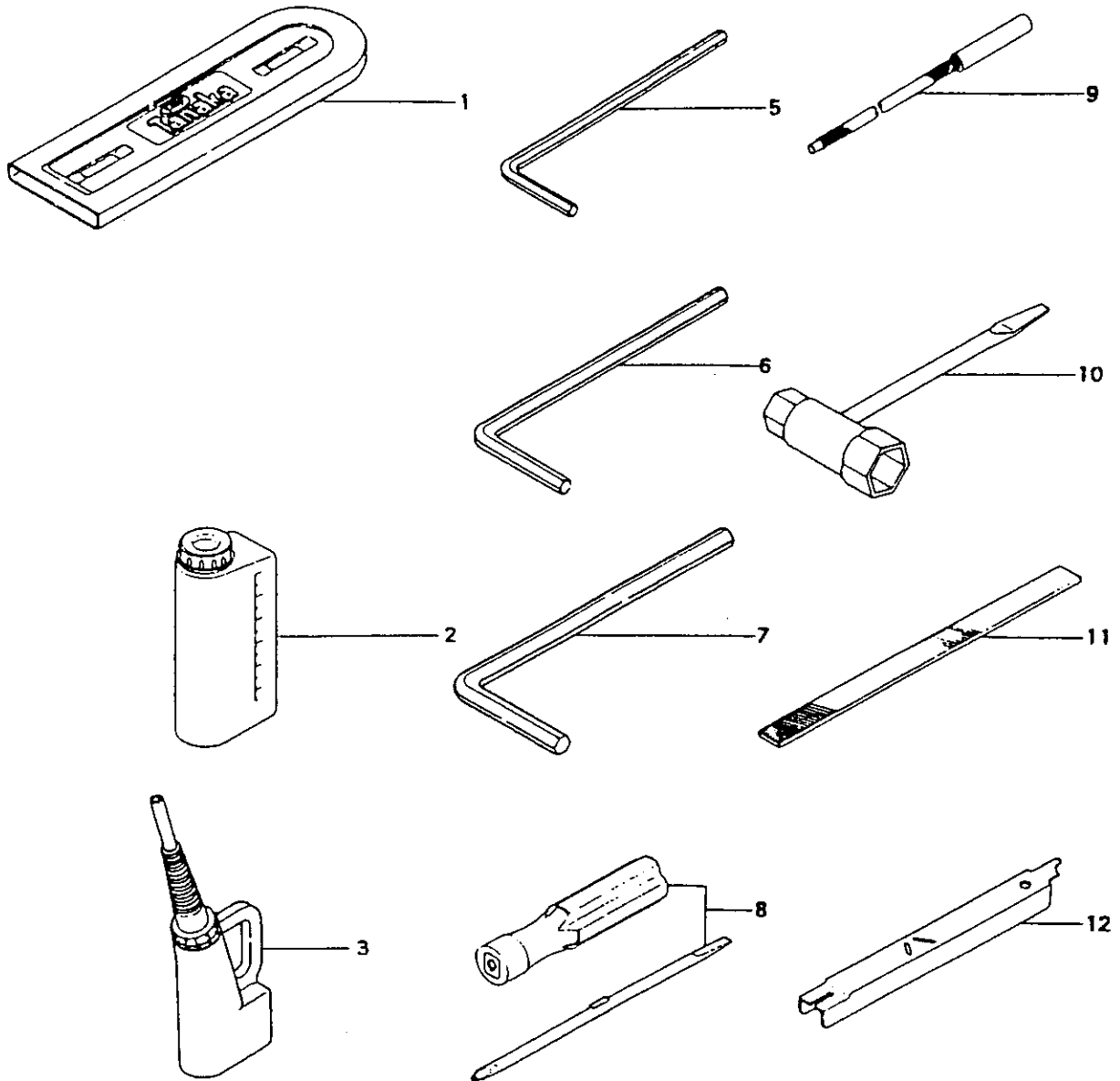


FIGURE 8

ECS-655 PARTS LISTING

REF.	PART NO.	PART DESCRIPTION	Q	C	S	SERIAL NO.	REMARKS
1	BCC-200	COVER,BAR/CHAIN,20"	1		D		
2	872-20000-201	CANISTER,FUEL PREMIX	1		D		
3	872-29040-900	BOTTLE,FUEL MIXING	1		E		
5	812-20000-200	WRENCH,HEX,3	1		D		
6	813-20000-200	WRENCH,HEX,4	1		D		
7	815-20000-200	SPANNER,6,HEX/BAR	1		D		
8	901-32600-900	DRIVER,ASS'Y	1		D		
9	CSF-316	FILE,ROUND,3/16"	1		D		
10	883-32600-200	SPANNER,COMBO	1		D		
11	CSF-800	FILE,FLAT,8"	1		D		
12	CDG-600	GUAGE,DEPTH	1		D		

FIG.9 MARKS

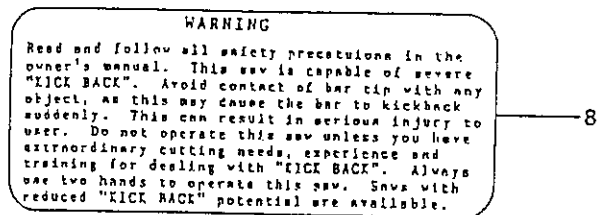
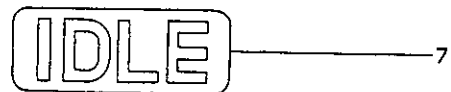
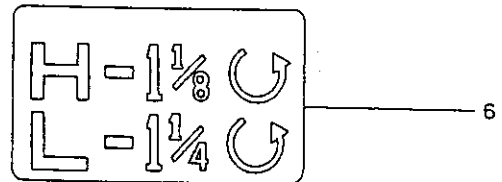
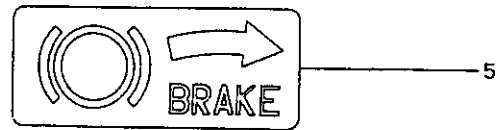
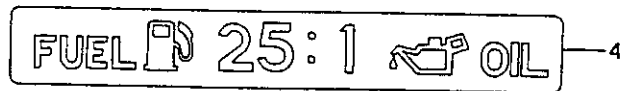
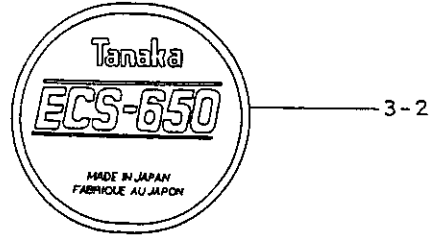
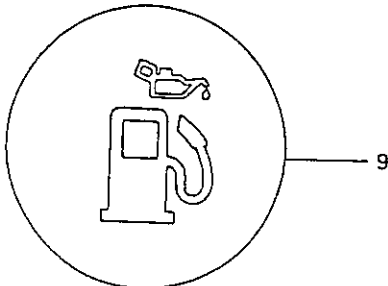
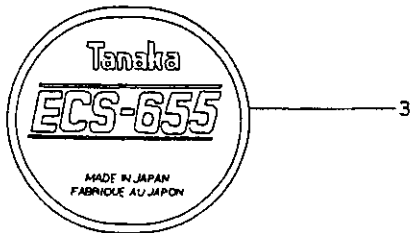
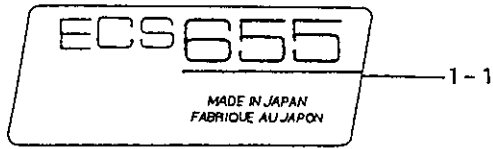
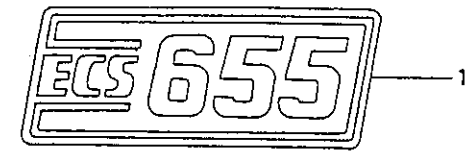


FIGURE 9

ECS-655 PARTS LISTING

REF.	PART NO.	PART DESCRIPTION	Q	C	S	SERIAL NO	REMARKS
1-2	906-32650-200	DECAL	1		D	~K102600	
1-1	906-32653-201	DECAL	1		D	~P050120	
1	906-32656-20	DECAL	1		D	P050121~	
2	929-11650-201	DECAL	1		D	~K102600	
2-1	929-11653-200	DECAL	1		D	~P050120	
3-2	915-32650-202	DECAL,STARTER	1		D	~K102600	
3-1	950-32603-200	DECAL,PRO-FORCE A	1		D	~P050120	
3	91532656201	DECAL,STARTER	1		D	P050121~	
4	935-32600-200	DECAL	1		D		
5	93732600200	DECAL	1		D		
6	91032650230	DECAL,CAUTION,CARBURETOR	1		D		
7	91132365200	DECAL,IDLE	1		D		
8	907-32653-200	DECAL,CAUTION	1		D		
9	920-32650-201	DECAL,FUEL	1		E		

* Indicates the part is included in a kit or assembly and is not available individually. Q=Quan. used
 C=Interchangeability S=Stocking code: A=Fast moving B=Med. fast C=Med. move D=Slow move
 E=N.L.A. F=Superceded or replaced by a new part

Free Manuals Download Website

<http://myh66.com>

<http://usermanuals.us>

<http://www.somanuals.com>

<http://www.4manuals.cc>

<http://www.manual-lib.com>

<http://www.404manual.com>

<http://www.luxmanual.com>

<http://aubethermostatmanual.com>

Golf course search by state

<http://golfingnear.com>

Email search by domain

<http://emailbydomain.com>

Auto manuals search

<http://auto.somanuals.com>

TV manuals search

<http://tv.somanuals.com>