

Tanaka Illustrated Parts Manual

Model Number:

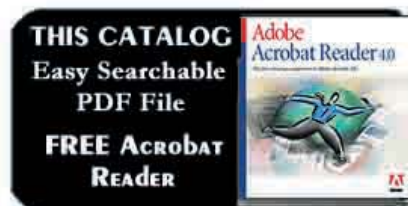
THT-210S

21cc, 26" HEDGETRIMMER

P/N 32804

Rev 000

Date 10-24-07

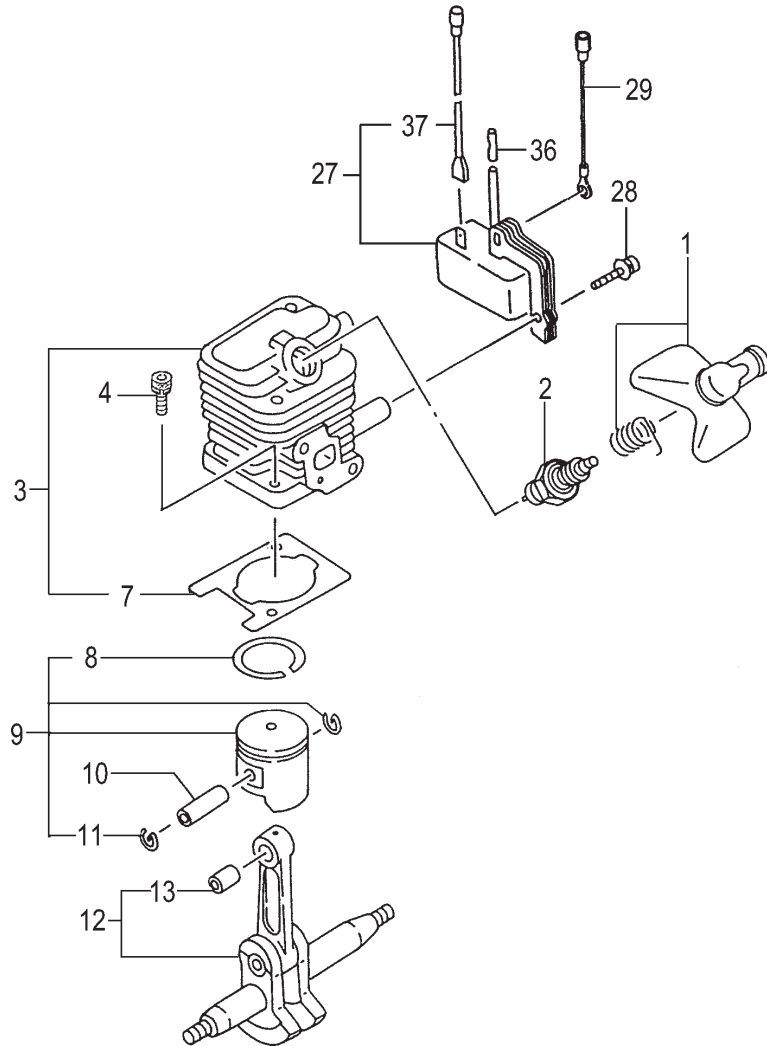


Nikko Tanaka Engineering U.S.A.,Ltd. • 1028 4th Street SW, Bldg B • Auburn, WA 98001 • Phone: (253) 333-1200 • Fax: (253) 333-1212

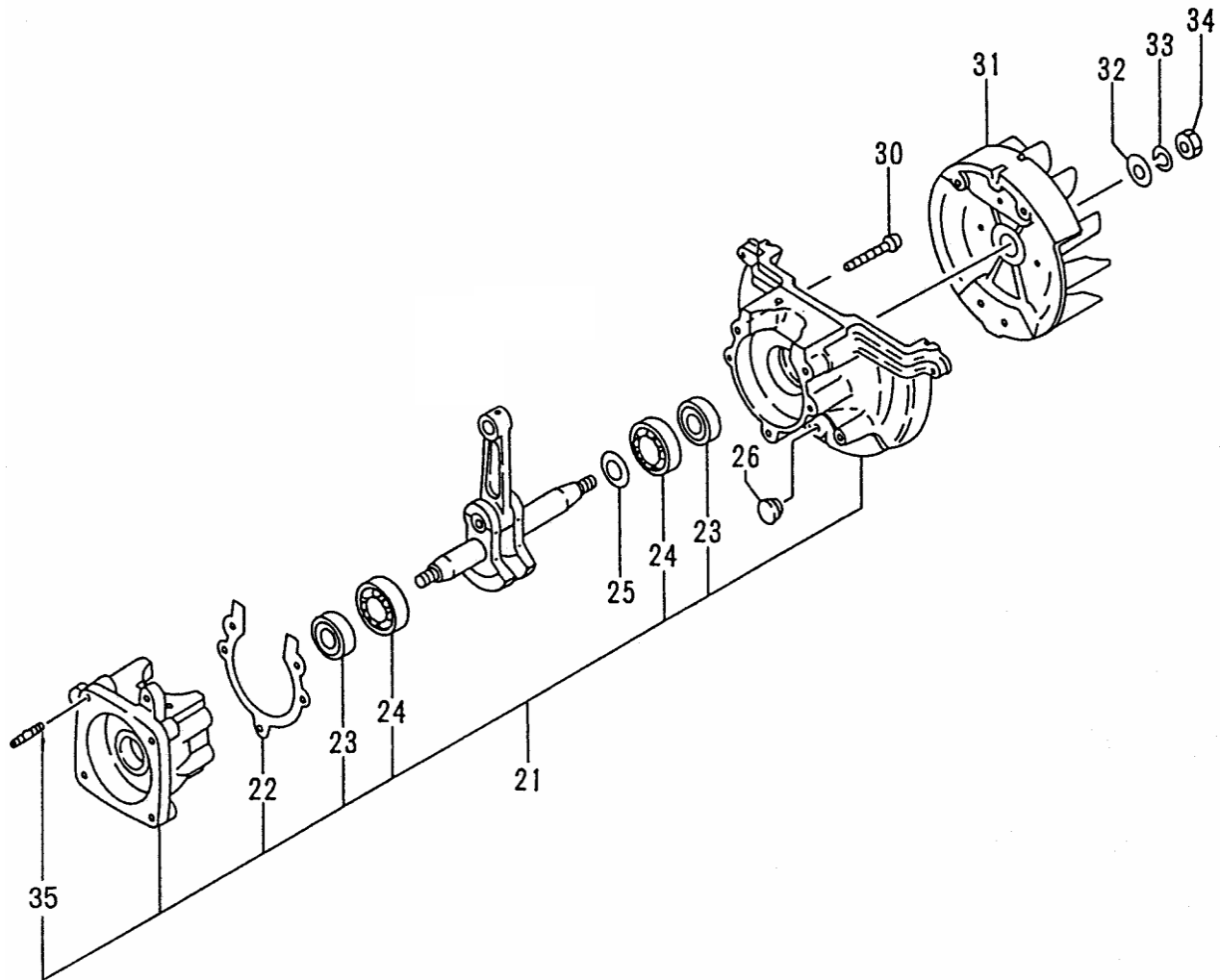
www.tanakapowerequipment.com

custsvc@nikko-tanaka-usa.com

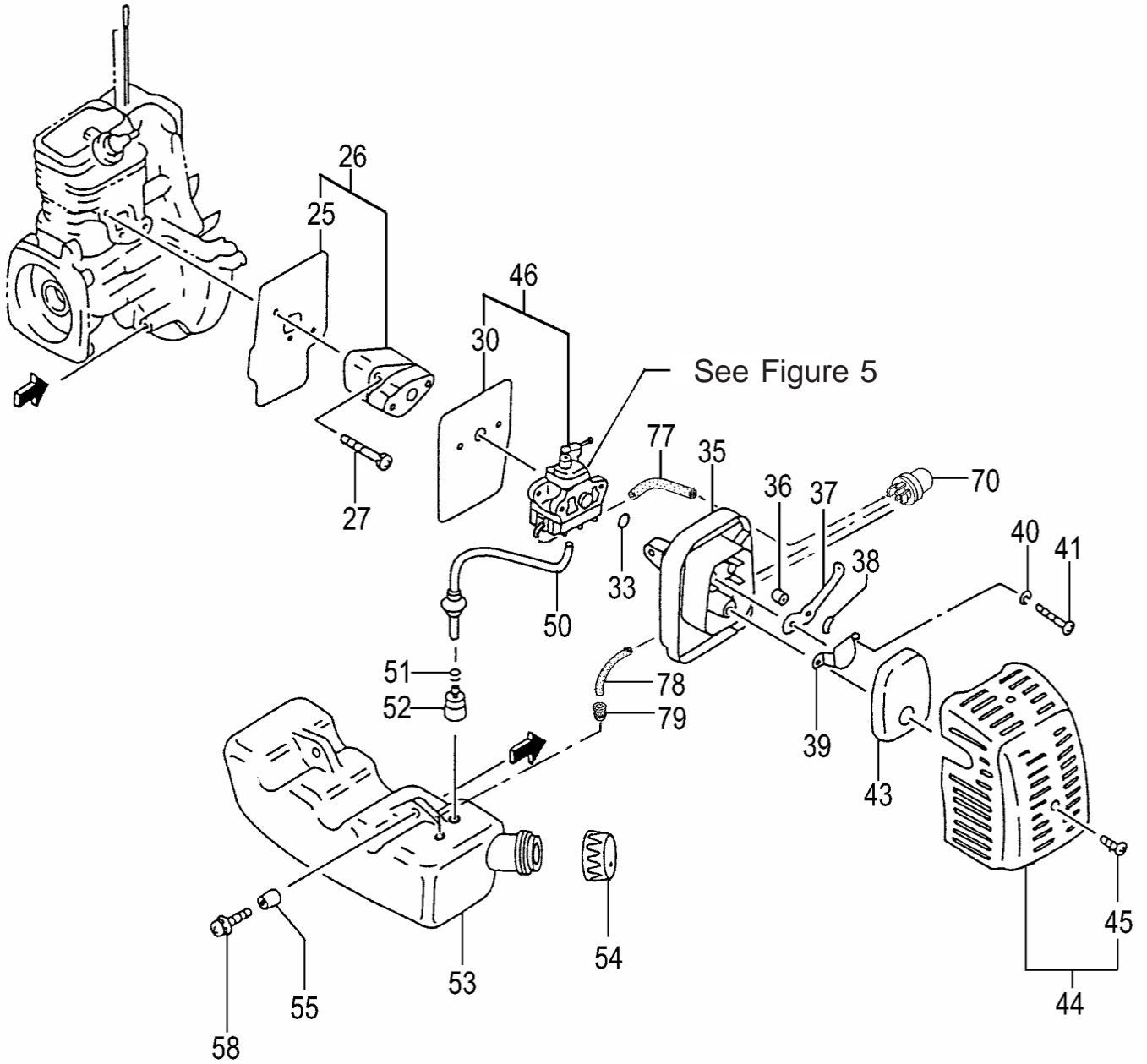
CYLINDER, PISTON, CRANKSHAFT • FIGURE 1



ITEM	PART NUMBER	DESCRIPTION	QTY	COMMENTS
1-1	1570650091	CAP, SPARK PLUG ASS'Y	1	
1-2	0181166021	PLUG, SPARK	1	
1-3	0010650A90	CYLINDER SET	1	Includes gasket
1-4	99461050184	BOLT, HEX, 5X18, S	2	
1-7	0170650020	GASKET, CYLINDER	1	
1-8	04100601210	RING, PISTON	1	
1-9	0300650A90	PISTON SET	1	Includes rings and circlips
1-10	03706500200	PIN, PISTON	1	
1-11	03901620200	CIRCLIP, PISTON PIN	2	
1-12	04606500801	CRANKSHAFT	1	
1-13	99962081225	BEARING, NEEDLE, F-810	1	
1-27	1672153380	COIL, IGNITION	1	
1-28	99464040184	BOLT, HEX, 4X18WS	2	
1-29	2740700D80	CORD, 130mm	1	
1-36	25006500200	TUBE, INSULATOR	1	
1-37	1780650080	CORD, STOP	1	

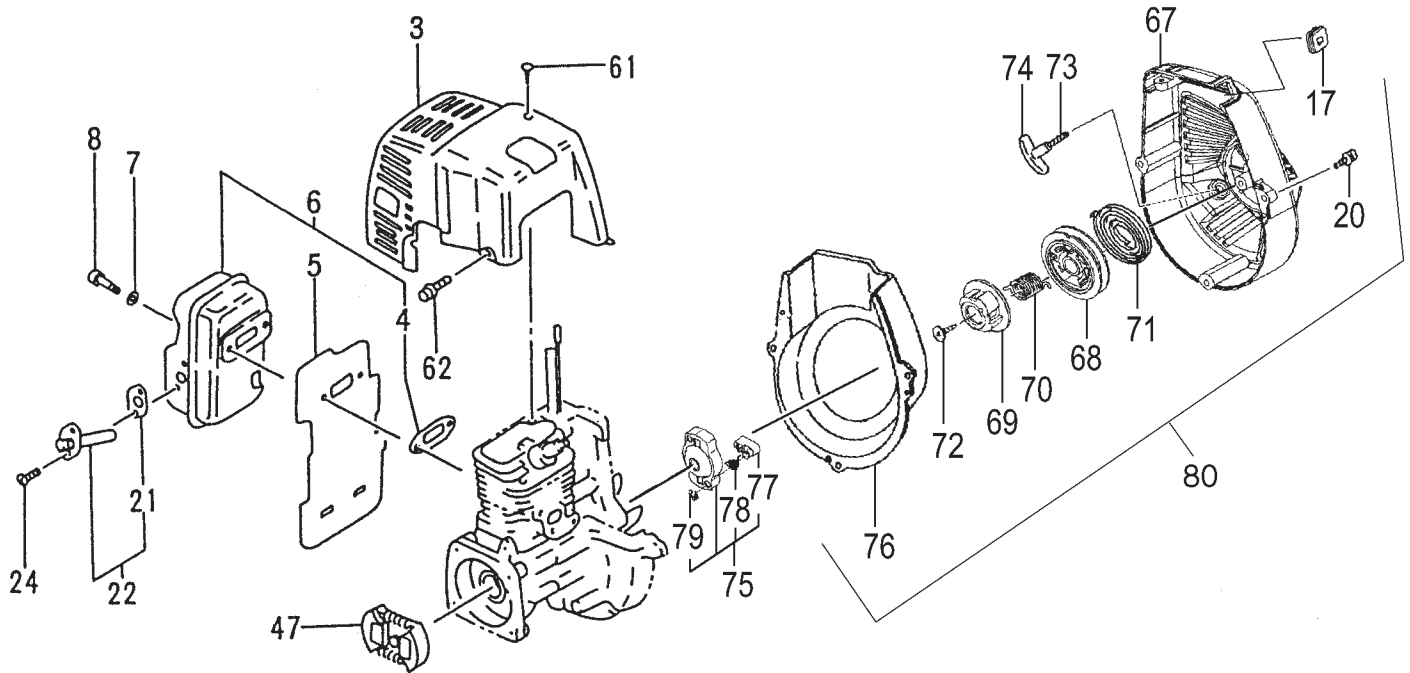


ITEM	PART NUMBER	DESCRIPTION	QTY	COMMENTS
2-21	0720650090	CRANKCASE ASS'Y	1	Includes bearings, seals and gasket
2-22	09006500200	GASKET, CRANKCASE	1	
2-23	99966122240	SEAL, OIL, #12227	2	
2-24	99961600115	BEARING, BALL, 6001 C3	2	
2-25	33000200210	SHIM, 12.2X19X.10	V	Shims are as needed
2-25	33000200220	SHIM, 12.2X19X.15	V	
2-25	33000200230	SHIM, 12.2X19X.20	V	
2-25	33000200240	SHIM, 12.2X19X.30	V	
2-26	59900601200	CUSHION	1	
2-30	99461050304	BOLT, HEX, 5X30S	3	
2-31	1552152380	ROTOR, MAGNETO	1	
2-32	99201080011	WASHER, 8	1	
2-33	99210080012	WASHER, S, 8	1	
2-34	99101080011	NUT, 8	1	
2-35	10002100200	BOLT, STUD, 6X22	2	

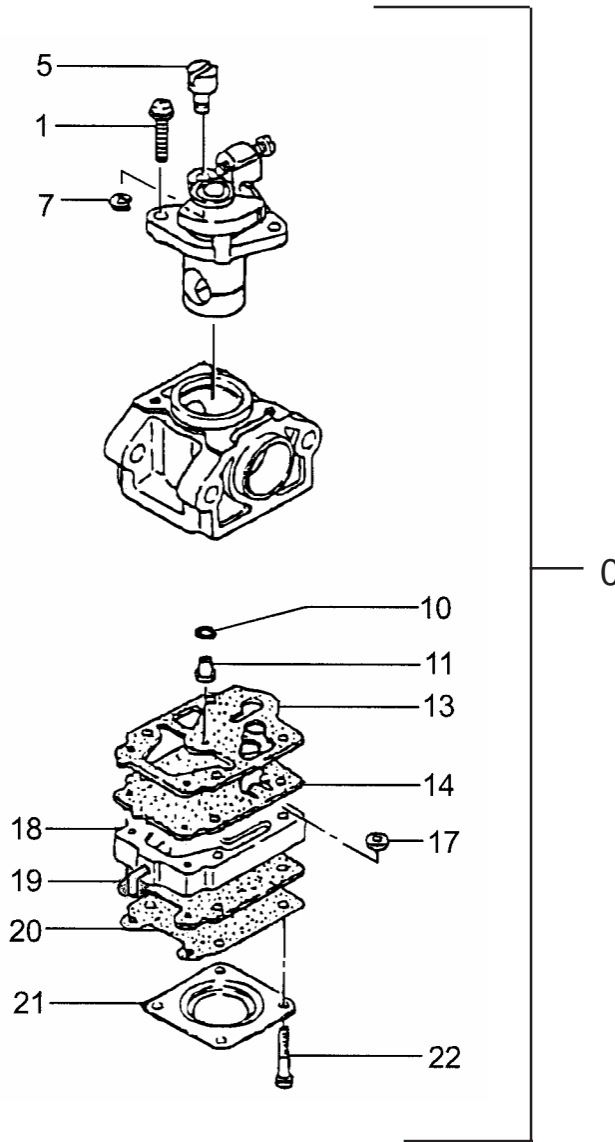


ITEM	PART NUMBER	DESCRIPTION	QTY	COMMENTS
3-25	40306500200	GASKET,INTAKE	1	
3-26	4040650090	SET,CARB INSULATOR	1	
3-27	99464050254	BOLT,HEX HOLE,5X25WS	2	
3-30	40206500200	GASKET,CARBURETOR	1	
3-33	99967015000	O-RING,P15	1	
3-35	4230650081	BODY,CLEANER	1	
3-36	47006500200	COLLAR	2	
3-37	5280650T20	LEVER,CHOKE	1	
3-38	99204080030	WASHER,8	1	
3-39	47601700200	BOARD,BLOW OVER CHECK	1	
3-40	99210050012	WASHER,S,5	2	
3-41	99011050602	SCREW,5X60	2	
3-43	4460650021	FILTER,AIR	1	
3-44	4520650091	COVER,CLEANER,W/BOLT	1	
3-45	3800637C200	BOLT,CLEANER COVER	1	
3-46	4550651A90	CARBURETOR	1	
3-50	2230650090	PIPE,FUEL,ASS'Y	1	
3-51	68000731201	CLIP 6.3	1	
3-52	6750404280	FILTER,FUEL	1	
3-53	5910650421	TANK,FUEL	1	
3-54	5950007390	CAP,TANK	1	
3-55	65900801200	COLLAR	2	
3-58	99463050185	BOLT,HEX 5X18PS	2	
3-70	44225143800	PUMP,PRIMING ASS'Y	1	
3-77	7000250408	PIPE,FUEL,2.5x4x80	1	
3-78	7000250407	PIPE,FUEL,2.5x4x70	1	
3-79	53432710200	GROMMET,FUEL PIPE	1	

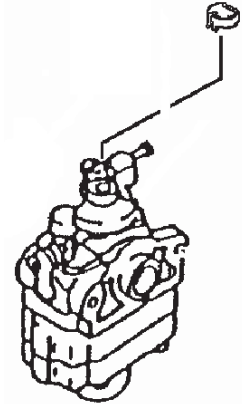
MUFFLER, STARTER, FAN CASE & ENGINE COVER • FIGURE 4



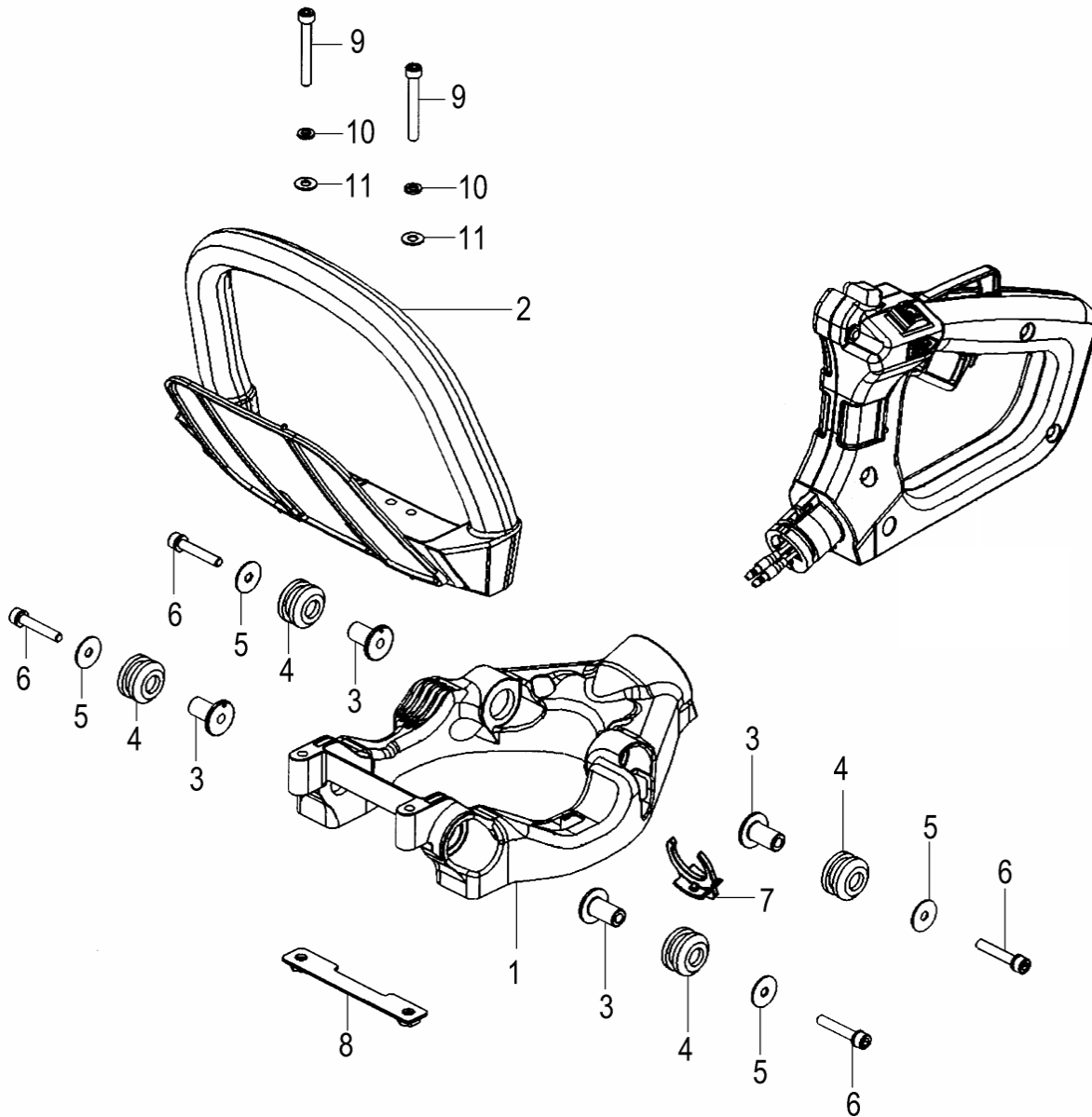
ITEM	PART NUMBER	DESCRIPTION	QTY	COMMENTS
4-3	7380650020	PROTECTOR,MUFFLER	1	
4-4	73706500200	GASKET,MUFFLER	1	
4-5	13306500200	SHIELD,HEAT	1	
4-6	7040650091	MUFFLER SET	1	
4-7	99201050011	WASHER,5	2	
4-8	99051050503	BOLT,HEX,5X50	2	
4-17	2030604A202	GROMMET	1	
4-20	99463040184	BOLT,HEX,4x18PS	3	
4-21	75106500200	GASKET,MUFFLER	1	
4-22	7210650091	PIPE,TAIL SET	1	
4-24	99434040081	SCREW,4X8/S	2	
4-47	2770634F901	CLUTCH,ASSY	1	
4-61	99072045164	SCREW,TAPPING,4.5X16	1	
4-62	99425040128	BOLT,PS,4X12	2	
4-67	1120651H80	CASE,FAN	1	
4-68	7740651H20	PULLEY,STARTER	1	
4-69	7590651H20	PLATE,CAM	1	
4-70	7580651H20	SPRING	1	
4-71	78006097200	SPRING,RECOIL	1	
4-72	8390304520	SCREW,SET	1	
4-73	7830651H20	ROPE,STARTER	1	
4-74	78506410200	HANDLE,STARTER	1	
4-75	7980651H90	PULLEY ASSY,STARTER	1	
4-76	1320660220	DEFLECTOR	1	
4-77	7880651H20	SPRING,STARTER	2	
4-78	79006097200	SPRING,STARTER PAWL	2	
4-79	99355050000	RING,STOP,5	2	
4-80	7620651H00	STARTER ASSY	1	Does not include #20 mounting screws



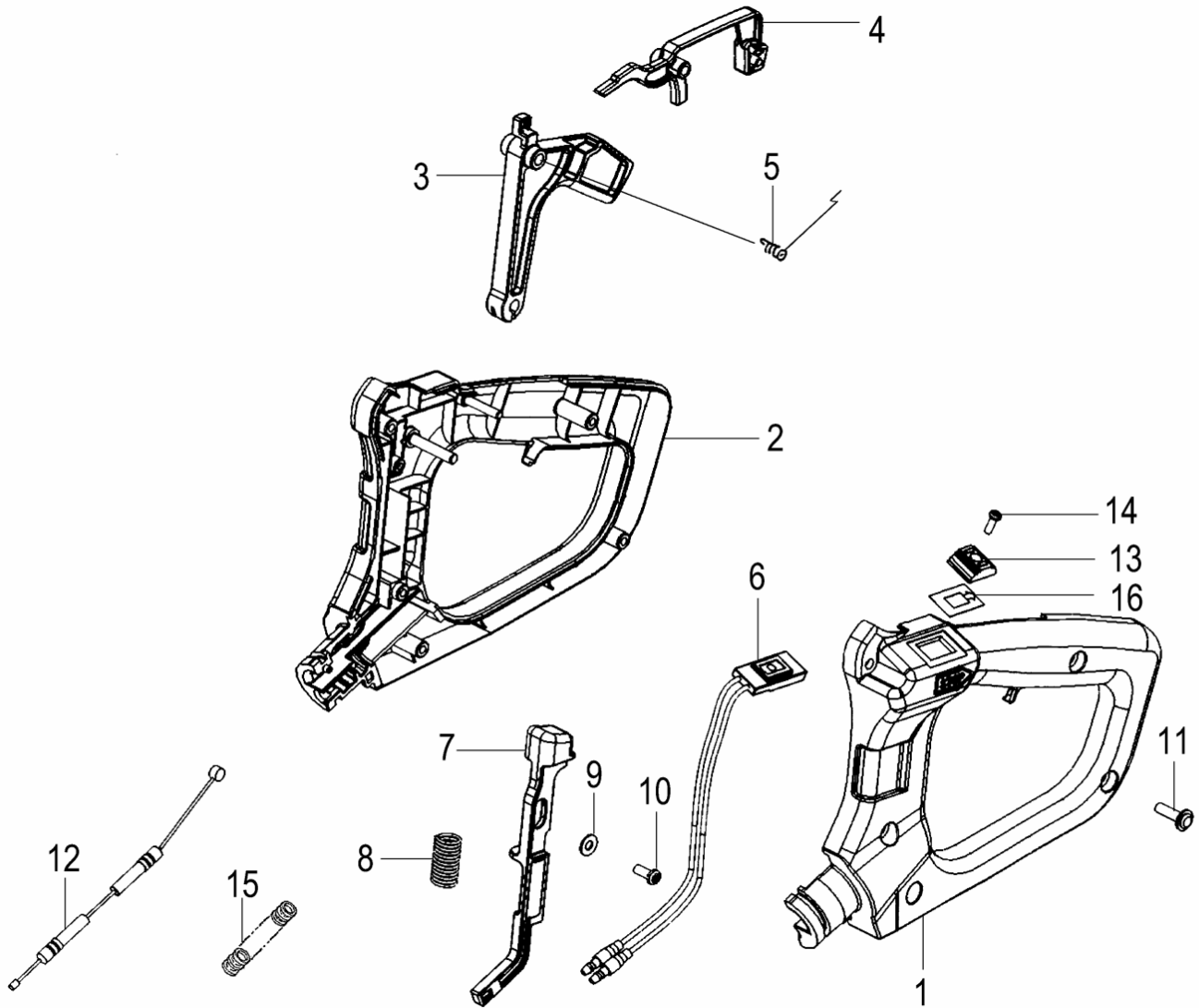
A small retainer (560-02170-20), has been added to this model after serial # A099801 to prevent the barrel end of the throttle wire from coming detached from the carburetor.



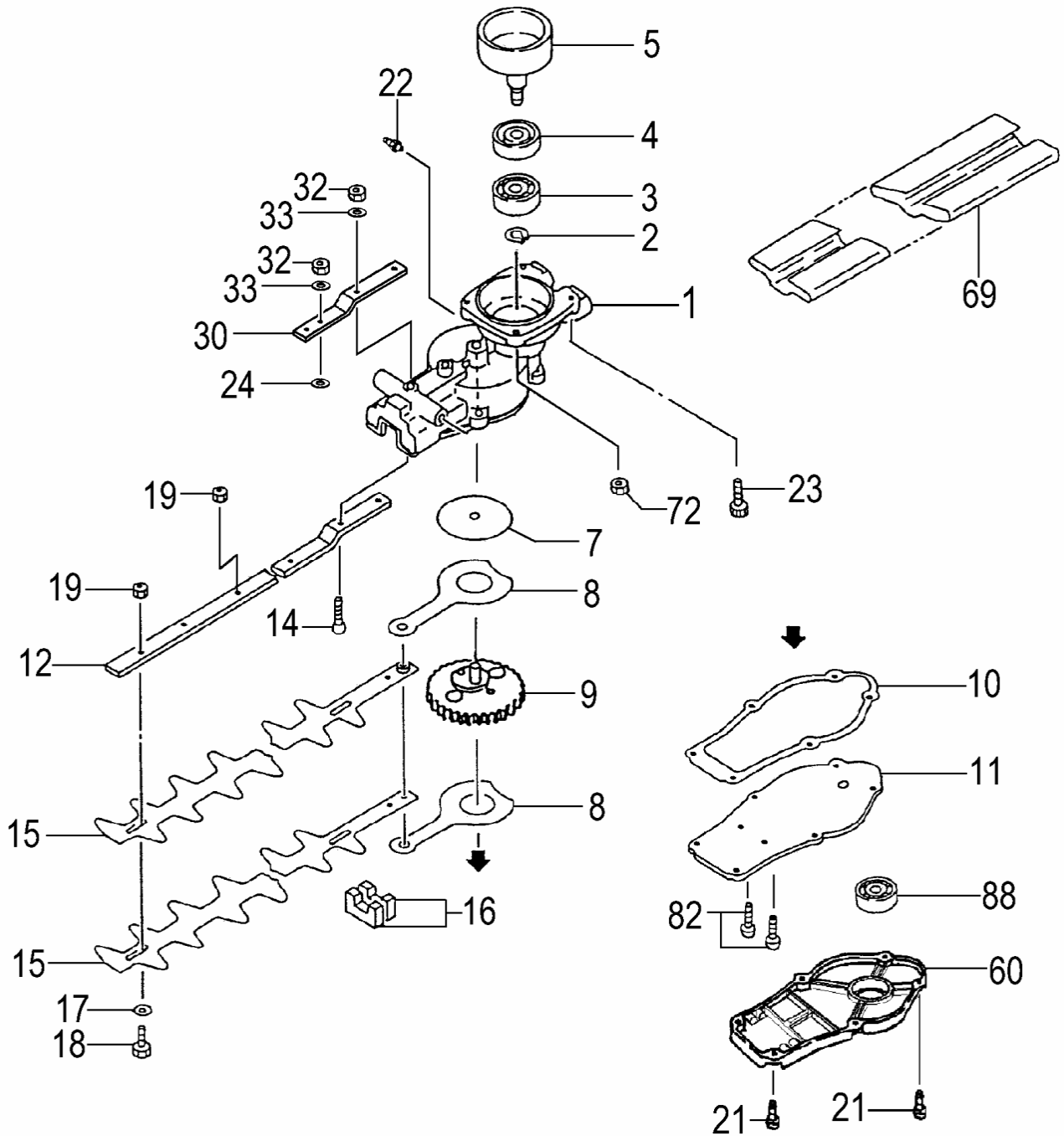
ITEM	PART NUMBER	DESCRIPTION	QTY	COMMENTS
5-0	4550651A90	CARBURETOR ASSY	1	Includes gasket
5-1	54825140200	SCREW, THROTTLE	2	
5-5	53925120200	SWIVEL	1	
5-7	48925100200	RING, STOP	1	
5-10	55025100200	O-RING	1	
5-11	599200BW34	JET, MAIN, LONG, #34.5	1	
5-13	~ ~ ~	GASKET, PUMP	1	~ Included in 650.25124.90 Carb Kit
5-14	~ ~ ~	DIAPHRAGM, PUMP	1	(not available individually)
5-17	57825007200	SCREEN, INLET	1	
5-18	5752514780	BODY, PUMP ASS'Y	1	
5-19	~ ~ ~	GASKET, DIAPHRAGM	1	
5-20	~ ~ ~	DIAPHRAGM, METERING	1	
5-21	47625004200	COVER, DIAPHRAGM	1	
5-22	54825101200	SCREW, SET	1	



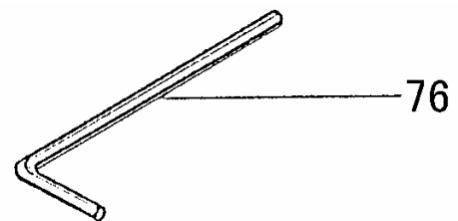
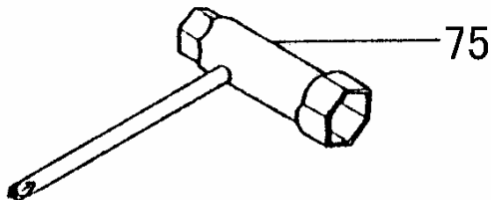
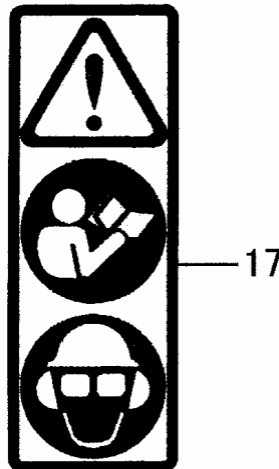
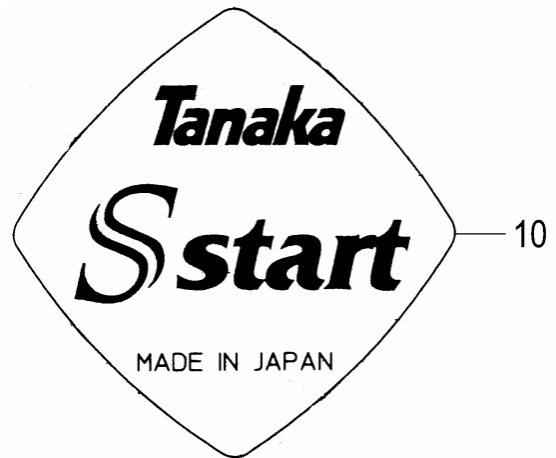
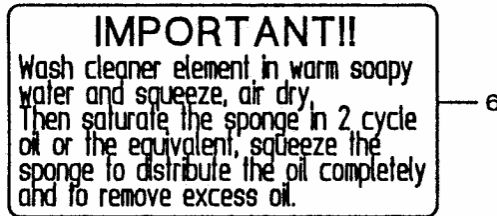
ITEM	PART NUMBER	DESCRIPTION	QTY	COMMENTS
6-1	2603329020	FRAME,HANDLE	1	
6-2	2103324720	HANDLE,FRONT	1	
6-3	27632710201	COLLAR,DAMPER B	4	
6-4	26632750200	DAMPER,B	4	
6-5	36832057200	WASHER,BRAKE SHAFT	4	
6-6	99461050304	BOLT,HEX,5X30S	4	
6-7	5053329020	CLIP	1	
6-8	0403316080	SUPPORT,HANDLE	1	
6-9	99051050403	BOLT,HEX,5X40	2	
6-10	99210050062	WASHER,S,5	2	
6-11	99201050061	WASHER,5	2	



ITEM	PART NUMBER	DESCRIPTION	QTY	COMMENTS
7-1	0513329020	HANDLE,B	1	
7-2	0503329020	HANDLE,A	1	
7-3	2303329020	LEVER,THROTTLE	1	
7-4	2313329020	LEVER,SAFETY	1	
7-5	23233160200	SPRING,THROTTLE LEVER	1	
7-6	1703329080	BUTTON,STOP	1	
7-7	2333329020	LEVER,LOCK	1	
7-8	2453329020	SPRING	1	
7-9	99201040011	WASHER,4	1	
7-10	99341040101	SCREW,TAPPING,4X10	1	
7-11	99072045164	SCREW,TAPPING,4.5X16	5	
7-12	8853329080	WIRE,THROTTLE	1	
7-13	2581165020	BUTTON,STOP	1	
7-14	99011030101	SCREW.3x10	1	
7-15	1640701501	TUBE,PROTECTION 150	1	
7-16	92533160200	DECAL,STOP BUTTON	1	



ITEM	PART NUMBER	DESCRIPTION	QTY	COMMENTS
8-1	3003329080	CASE,GEAR	1	
8-2	99350015002	RING,STOP,C-15 EX	1	
8-3	99961600200	BEARING,BALL,#6002	1	
8-4	99961600202	BEARING,BALL,#6002Z	1	
8-5	28833160800	DRUM,CLUTCH	1	
8-7	07533160200	PLATE,GUIDE	1	
8-8	1013319020	ROD,CAM	2	
8-9	2923319480	GEAR 2	1	
8-10	30333160200	GASKET,GEARCASE	1	
8-11	6303316520	COVER,GEAR CASE	1	
8-12	1223324820	GUIDE,CUTTER,M6	1	
8-14	99052060255	BOLT,HEX FLUSH,6X25	2	
8-15	CB-22A	BLADE,A,DS,26"	2	
8-16	08533160200	SEAL,GREASE A	2	
8-17	12933202201	WASHER,7	5	
8-18	1243228720	BOLT,FIXING,A,M6	5	
8-19	40927	NUT,FLANGE,6	4	
8-21	99461040124	BOLT,HEX,4X12	6	
8-22	30032250801	FITTING,GREASE	1	
8-23	99461060184	BOLT,HEX,6x18S	2	
8-24	87132600200	WASHER,SPECIAL,B	1	
8-30	4623329020	PLATE,SUPPORT	1	
8-32	99187060001	NUT	3	
8-33	99201060011	WASHER,6	3	
8-60	3013316021	CASE,GEAR B	1	
8-69	1383317120	COVER,CUTTER,26"	1	
8-72	99440060011	NUT,SPRING 6	2	
8-82	99461040104	BOLT,HEX,4X10,S	2	
8-88	99961608013	BEARING,BALL,#608Z	1	



ITEM	PART NUMBER	DESCRIPTION	QTY	COMMENTS
9-1	9060651S20	DECAL,THT-210S	1	
9-6	9083316021	DECAL,CAUTION	1	
9-8	91106500200	DECAL,SRS	1	
9-10	9150651H20	DECAL,STARTER,S-START	1	
9-17	9203246620	DECAL,CAUTION	1	
9-75	03629331501	SPANNER,COMBI	1	
9-76	81320000200	WRENCH,HEX,4	1	

Free Manuals Download Website

<http://myh66.com>

<http://usermanuals.us>

<http://www.somanuals.com>

<http://www.4manuals.cc>

<http://www.manual-lib.com>

<http://www.404manual.com>

<http://www.luxmanual.com>

<http://aubethermostatmanual.com>

Golf course search by state

<http://golfingnear.com>

Email search by domain

<http://emailbydomain.com>

Auto manuals search

<http://auto.somanuals.com>

TV manuals search

<http://tv.somanuals.com>