

Tanaka

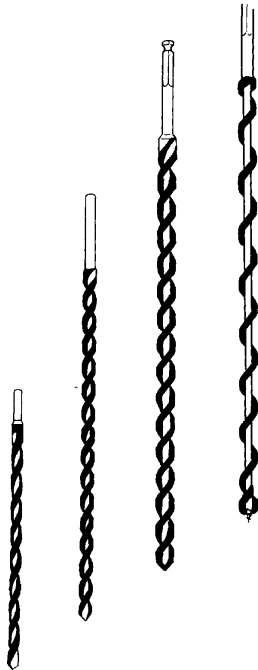
Parts Catalog

Engine Drill

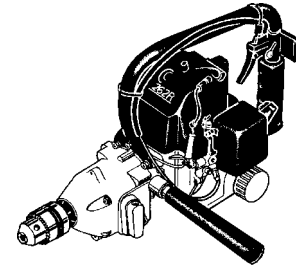
Model: TED-260/265

Part # 14350 2-24-97

CARBIDE TIP DRILL BITS



- **Long Lasting and Dependable**
Can be resharpened or completely rebuilt if necessary.
- **High Quality Carbide Compound**
For superior strength and durability.
- **Rapid Chip Evacuation**
Special fluting provides a large chip storage area and prevents clogging.
- **Carbide Tipped**
Will outlast and outperform normal wood-boring bits.



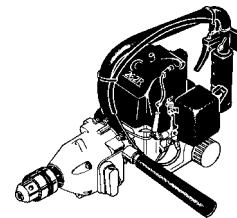
** Ideal for use in
Tanaka Drills*

Drill Bit Description	Diameter	Length	Part #
Pole For treated wood used on poles, fencing, and beams.	9/16"	12"	745102
	11/16"	16"	745103
	13/16"	22"	745104
Wood For treated wood containing nails, staples, or other metal materials.	9/16"	12"	745105
	11/16"	16"	745106
	13/16"	22"	745107
Railroad For general purpose wood boring for landscaping.	9/16"	12"	745108
	3/4"	12"	745109
	5/8"	18"	745110
Masonry For concrete, brick, stucco, and other stone materials.	1/4"	12"	745111
	3/8"	12"	745112
	1/2"	12"	745113

BULB / PLANT AUGER BITS



- **Speeds up Planting by 500 Percent**
- **Can be Used for Many Purposes.**
- **Leave Dirt in a Loose, Easy to Pack Condition.**
- **Drill Holes in all Types of Soil.**



** Ideal for use in
Tanaka Drills*

Item No.	Diameter	Length
745201	3"	7"
745202	3"	12"
745203	3"	24"

All data and specifications are subject to change without notice.

FIG.1 ENGINE

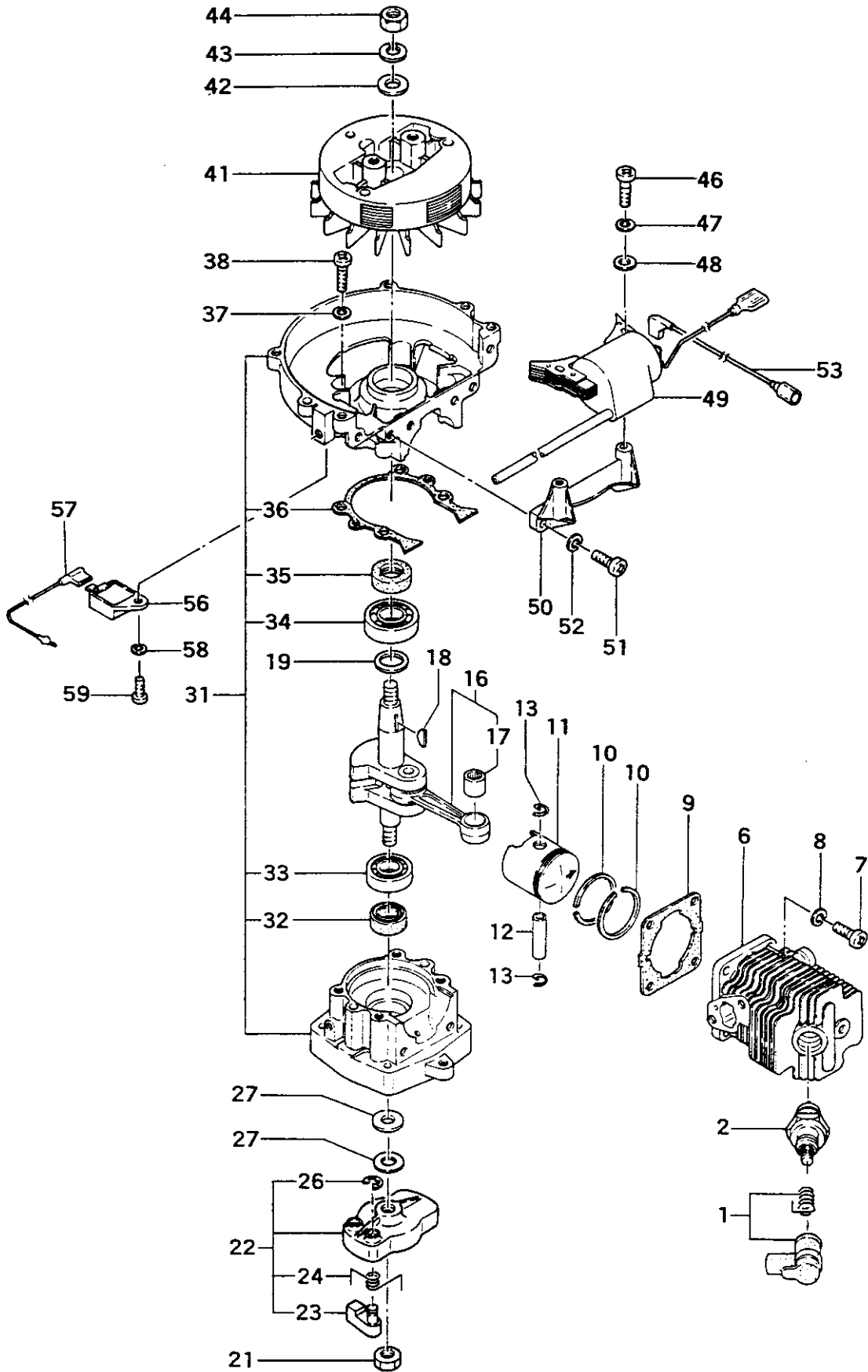


FIGURE 1

TED-260/265 PARTS LISTING

REF.	PART NO.	PART DESCRIPTION	Q	C	S	SERIAL NO.	REMARKS
1	157-11666-900	CAP,SPARK PLUG ASS'Y	1		C		
2	018-01805-200	PLUG,SPARK	1		B		
6	002-01601-800	CYLINDER	1		B		
7	990-11050-161	SCREW,5X16	4		B		
8	992-10050-012	WASHER,S,5	4		A		
9	017-01620-200	GASKET,CYLINDER	1		A		
10	041-01601-200	RING,PISTON	2		A		
11	031-01601-20	PISTON	1		C		
12	037-01601-200	PIN,PISTON	1		C		
13	039-01620-200	CIRCLIP,PISTON PIN	2		A		
16	046-01620-800	CRANKSHAFT	1		D		
17	999-62081-225	BEARING,NEEDLE,F-810	1		C		
18	068-10100-200	KEY,WOODRUFF,3X13X4.5	1		C		
19	071-02007-200	SHIM,15.2X20X.05	V		D		Shims are "as needed" to obtain correct c/s side clearance.
19	071-02007-210	SHIM,15.2X20X.10	V		D		
19	071-02007-220	SHIM,15.2X20X.15	V		D		
19	071-11600-230	SHIM,16X21X.20	V		D		
19	071-11600-240	SHIM,16X21X.30	V		D		
21	991-01080-011	NUT,8	1		B		
22	798-0162V-90	PULLEY,STARTER,ASS'Y	1		C		
23	788-0162V-20	PAWL,STARTER	1		C		
24	790-0162V-200	SPRING,PAWL,STARTER	1		D		
26	993-55005-000	RING,STOP,5	1		C		
27	359-10112-203	WASHER,CLUTCH B	2		A		
31	072-01620-900	CRANKCASE,ASS'Y	1		D		Includes bearings, seals & gasket
32	999-66122-240	SEAL,OIL,12227	1		A		
33	999-61600-100	BEARING,BALL,#6001	1		B		
34	999-61600-200	BEARING,BALL,#6002	1		B		
35	999-66152-511	SEAL,OIL,#VE15X25X7	1		A		
36	090-00601-206	GASKET,CRANKCASE	1		B		
37	992-10050-012	WASHER,S,5	4		A		
38	990-11050-301	SCREW,5X30	4		C		
41	155-21720-802	ROTOR,MAGNETO	1		D		
42	992-00080-011	WASHER,8	1		D		
43	992-10080-012	WASHER,S,8	1		B		
44	991-01080-011	NUT,8	1		B		
46	990-11040-181	SCREW,4X18	2		D		
47	992-10040-012	WASHER,S,4	2		B		
48	992-00040-011	WASHER,4	2		B		

* Indicates the part is included in a kit or assembly and is not available individually. Q=Quan. used
C=Interchangeability S=Stocking code: A=Fast moving B=Med. fast C=Med. move D=Slow move
E=N.L.A. F=Superseded or replaced by a new part

TED-260/265 PARTS LISTING

REF.	PART NO.	PART DESCRIPTION	Q	C	S	SERIAL NO.	REMARKS
49	167-20770-800	COIL,IGNITION	1		C		
50	165-0162V-200	PLATE,COIL HOLDING	1		D		
51	990-11050-161	SCREW,5X16	2		B		
52	992-10050-012	WASHER,S,5	2		A		
53	178-0162V-800	CORD,STOP	1		D		
56	159-21401-872	IGNITOR,TTI-1F	1		A		
57	173-0162R-800	WIRE,IGNITOR LEAD	1		C		
58	992-10040-012	WASHER,S,4	1		B		
59	990-11040-081	SCREW,4X8	1		C		

* Indicates the part is included in a kit or assembly and is not available individually. Q=Quan. used
 C=Interchangeability S=Stocking code: A-Fast moving B=Med. fast C=Med. move D=Slow move
 E=N.L.A. F=Superceded or replaced by a new part

FIG.2 ENGINE COMPONENTS

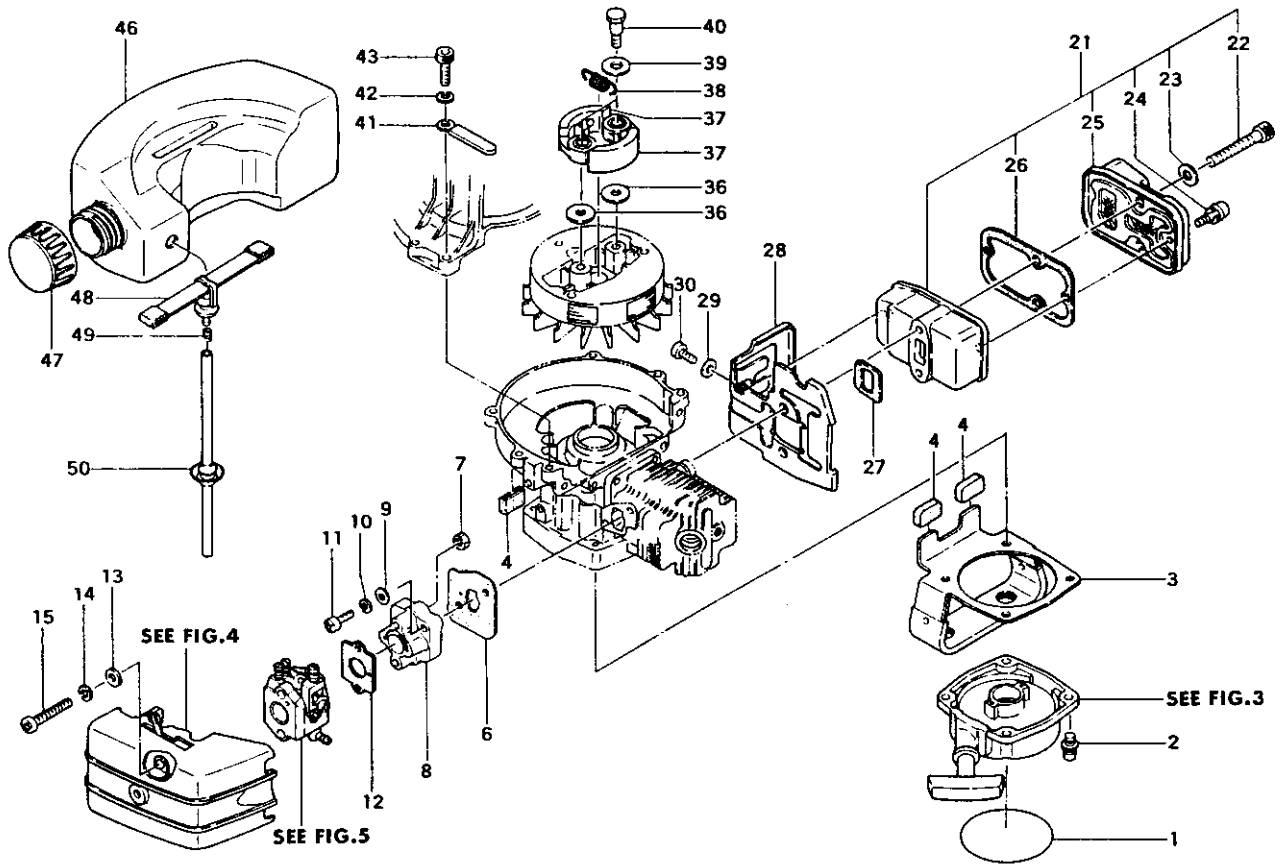


FIGURE 2

TED-260/265 PARTS LISTING

REF.	PART NO.	PART DESCRIPTION	Q	C	S	SERIAL NO	REMARKS
1	906-32180-200	DECAL	1		D		
1	906-32161-200	DECAL,TED-265	1		D		
2	994-15040-162	SCREW,PS,4X16	4		C		
3	609-32161-800	GUARD,STARTER	1		D		
4	655-06100-200	CUSHION,TANK	4		A		
6	403-01620-200	GASKET,INLET MANIFOLD	1		A		
7	991-78050-010	NUT,LOCK 5	2		C		
8	404-01620-210	INSULATOR,CARBURETOR	1		B		
9	992-00050-011	WASHER,SMALL,5	2		C		
10	992-10050-012	WASHER,S,5	2		A		
11	990-11050-221	SCREW,5X22	2		B		
12	402-00601-20	GASKET,CARBURETOR	1		A		
13	786-00601-200	WASHER,RECOIL STARTER	2		D		
14	992-10050-012	WASHER,S,5	2		A		
15	990-11050-651	SCREW,5X65	2		A		
21	705-0162V-900	MUFFLER,ASS'Y	1		C		
22	990-51050-453	BOLT,HEX,5X45	2		C		
23	992-01050-061	WASHER,5	2		D		
24	994-13040-122	SCREW,4X12/P	2		D		
25	717-0162V-800	BODY,MUFFLER,B	1		D		
26	739-01620-210	GASKET,MUFFLER COUPLING	1		D		
27	737-01620-200	GASKET,MUFFLER	1		B		
28	133-01620-220	SHIELD,HEAT	1		C		
29	992-01050-011	WASHER,5	1		A		
30	990-11050-101	SCREW,5X10	1		B		
36	359-02103-200	WASHER,CLUTCH,B	2		B		
37	290-01620-800	SHOE,CLUTCH	2		A		
38	342-0630B-200	SPRING,CLUTCH	1		A		
39	358-02103-200	WASHER,CLUTCH A	2		A		
40	357-0075T-200	BOLT,STEP	2		A		
41	198-05015-800	CLAMP,CORD	1		C		
42	992-10050-012	WASHER,S,5	4		A		
43	990-51050-203	BOLT,HEX.HOLE,5X20	4		C		
46	591-0162V-200	TANK	1		C		
47	595-0650A-90	CAP,TANK	1		A		
48	675-0608A-900	FILTER,FUEL	1		A		
49	680-00731-201	CLIP 6.3	1		B		
50	223-0162V-900	PIPE,FUEL,ASS'Y	1		A		

* Indicates the part is included in a kit or assembly and is not available individually. Q=Quan. used
C=Interchangeability S=Stocking code: A-Fast moving B=Med. fast C=Med. move D=Slow move
E=N.L.A. F=Superseded or replaced by a new part

FIG.3 RECOIL STARTER

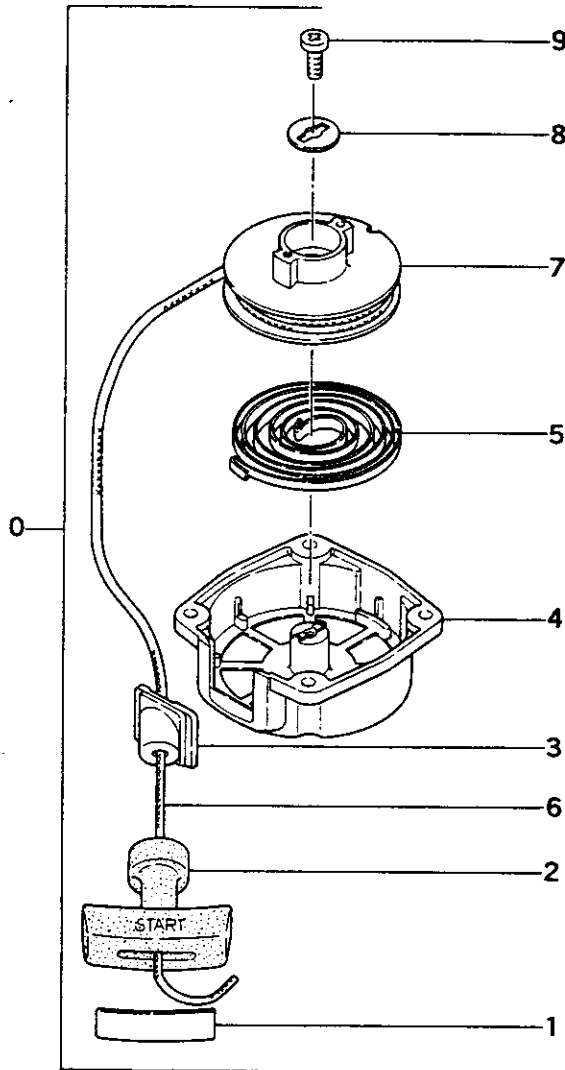


FIGURE 3

TED-260/265 PARTS LISTING

REF.	PART NO.	PART DESCRIPTION	Q	C	S	SERIAL NO.	REMARKS
0	762-0162V-900	STARTER,RECOIL ASS'Y	1		C		
1	795-01620-200	SEAL,HANDLE KNOB	1		D		
2	785-01620-200	HANDLE,STARTER	1		C		
3	780-06150-200	GUIDE,ROPE	1		C		
4	772-06150-200	BODY,RECOIL STARTER	1		D		
5	780-06097-200	SPRING,RECOIL	1		A		
6	783-0162V-200	ROPE,STARTER,3.5X890	1		D		
7	774-0162V-200	REEL,STARTER ROPE	1		B		
8	801-0162V-200	WASHER,ROPE REEL	1		D		
9	990-15050-121	SCREW,5X12	1		A		

FIG.4 AIR CLEANER

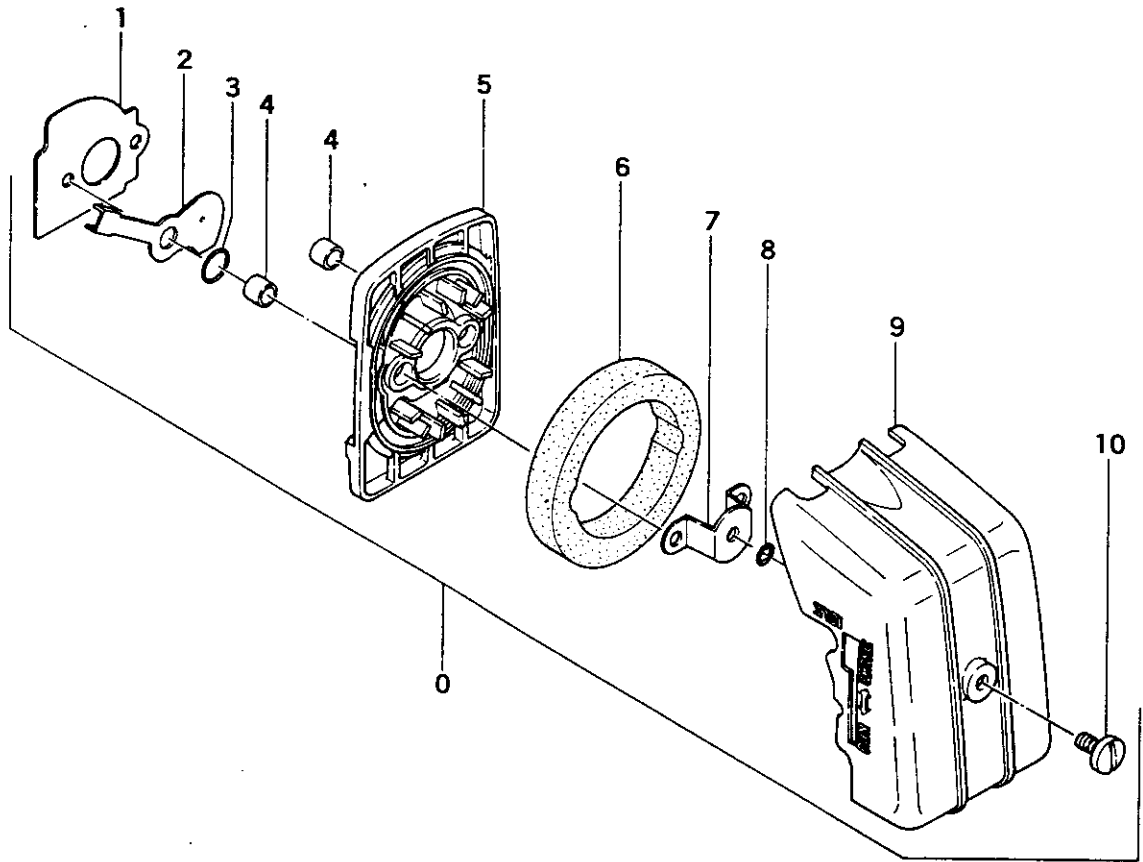


FIGURE 4

TED-260/265 PARTS LISTING

REF.	PART NO.	PART DESCRIPTION	Q	C	S	SERIAL NO	REMARKS
0	410-0162V-900	CLEANER,AIR ASS'Y	1		D		
1	436-0162V-20	BASE,CLEANER	1		C		
2	528-0162V-200	VALVE,CHOKE	1		D		
3	999-67008-012	O-RING,S-8	1		C		
4	470-0602N-200	COLLAR,CLEANER	2		C		
5	423-0162V-200	BODY,AIR CLEANER	1		C		
6	446-0162V-200	ELEMENT,CLEANER	1		A		
7	476-04060-200	BOARD,BLOW OVER CHECK	1		D		
8	999-67004-000	O-RING,P4	1		C		
9	424-0162V-200	CAP,CLEANER	1		D		
10	170-32161-201	BOLT,CLEANER	1		C		

FIG.5 CARBURETOR

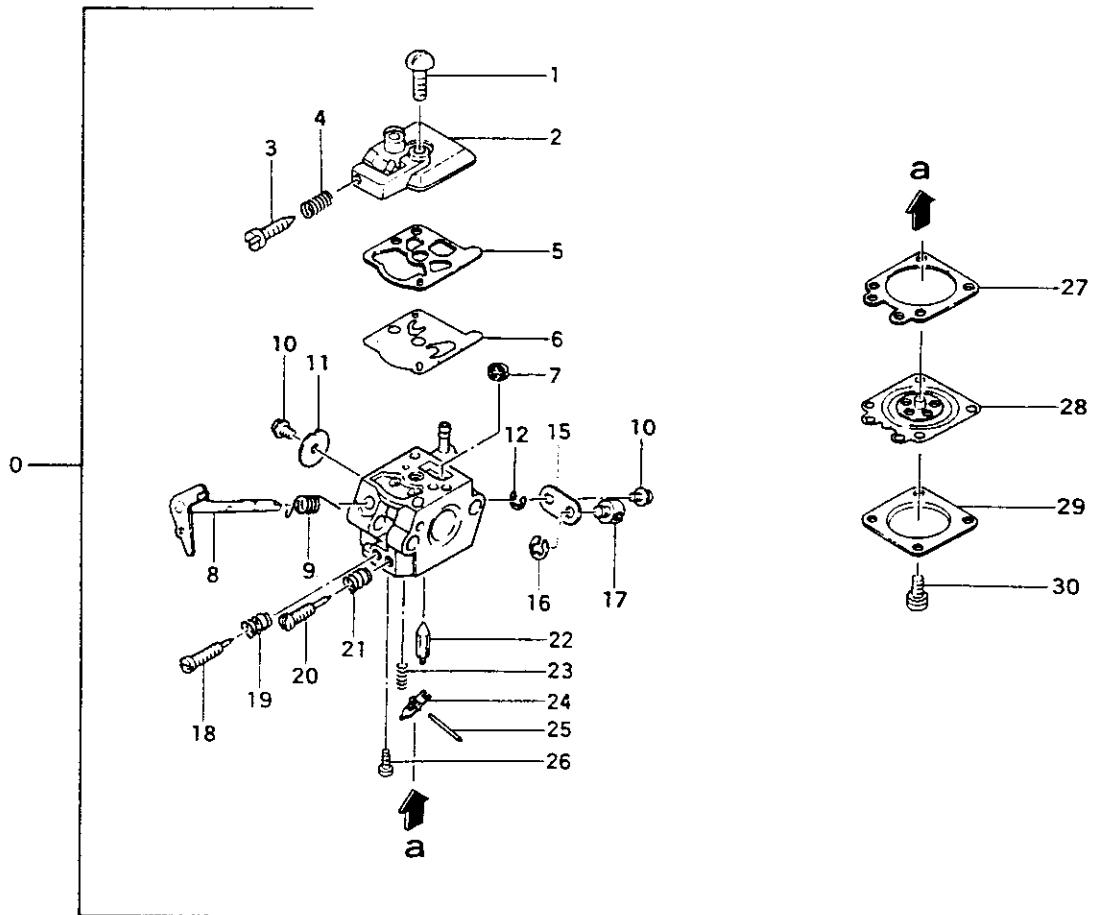


FIGURE 5

TED-260/265 PARTS LISTING

REF.	PART NO.	PART DESCRIPTION	Q	C	S	SERIAL NO.	REMARKS
0	455-25028-900	CARBURETOR,ASS'Y	1		C		
1	514-25001-200	SCREW,SET	1		D		
2	575-25028-200	BODY,PUMP	1		D		
3	462-25006-200	SCREW,IDLE ADJUST	1		D		
4	463-25006-200	SPRING,IDLE ADJUST	1		D		
5	----	*GASKET,PUMP	1		D		* Contained in Carb. Repair Kit 650-25001-910 (Not available individually)
6	----	*DIAPHRAGM,PUMP	1		C		
7	----	*SCREEN,INLET	1		C		
8	464-25016-800	SHAFT,THROTTLE	1		D		
9	486-25009-200	SPRING,THROTTLE	1		C		
10	467-25003-200	SCREW,SHUTTER	2		C		
11	488-25008-200	VALVE,THROTTLE	1		D		
12	489-25007-200	RING,STOP	1		C		
15	491-25028-200	LEVER,THROTTLE	1		D		
16	489-25100-200	RING,STOP	1		D		
17	539-25008-200	SWIVEL	1		C		
18	461-25023-200	SCREW,LOW ADJUST	1		D		
19	623-25001-200	SPRING,ADJUST,LOW	1		D		
20	460-25023-200	SCREW,HIGH ADJUST	1		D		
21	485-25003-200	SPRING,ADJUST,HIGH	1		D		
22	----	*VALVE,NEEDLE	1		C		
23	477-25007-200	SPRING,VALVE	1		D		
24	----	*HINGE,VALVE	1		C		
25	----	*PIN,FLOAT	1		D		
26	546-25001-200	SCREW,SET,HINGE PIN	1		D		
27	----	*GASKET,DIAPHRAGM	1		A		
28	----	*DIAPHRAGM,METERING	1		A		
29	476-25004-200	COVER,DIAPHRAGM	1		D		
30	548-25012-200	SCREW,SET	4		D		

* Indicates the part is included in a kit or assembly and is not available individually. Q=Quan. used
C=Interchangeability S=Stocking code: A-Fast moving B=Med. fast C=Med. move D=Slow move
E=N.L.A. F=Superseded or replaced by a new part

FIG.6 MISSION CASE

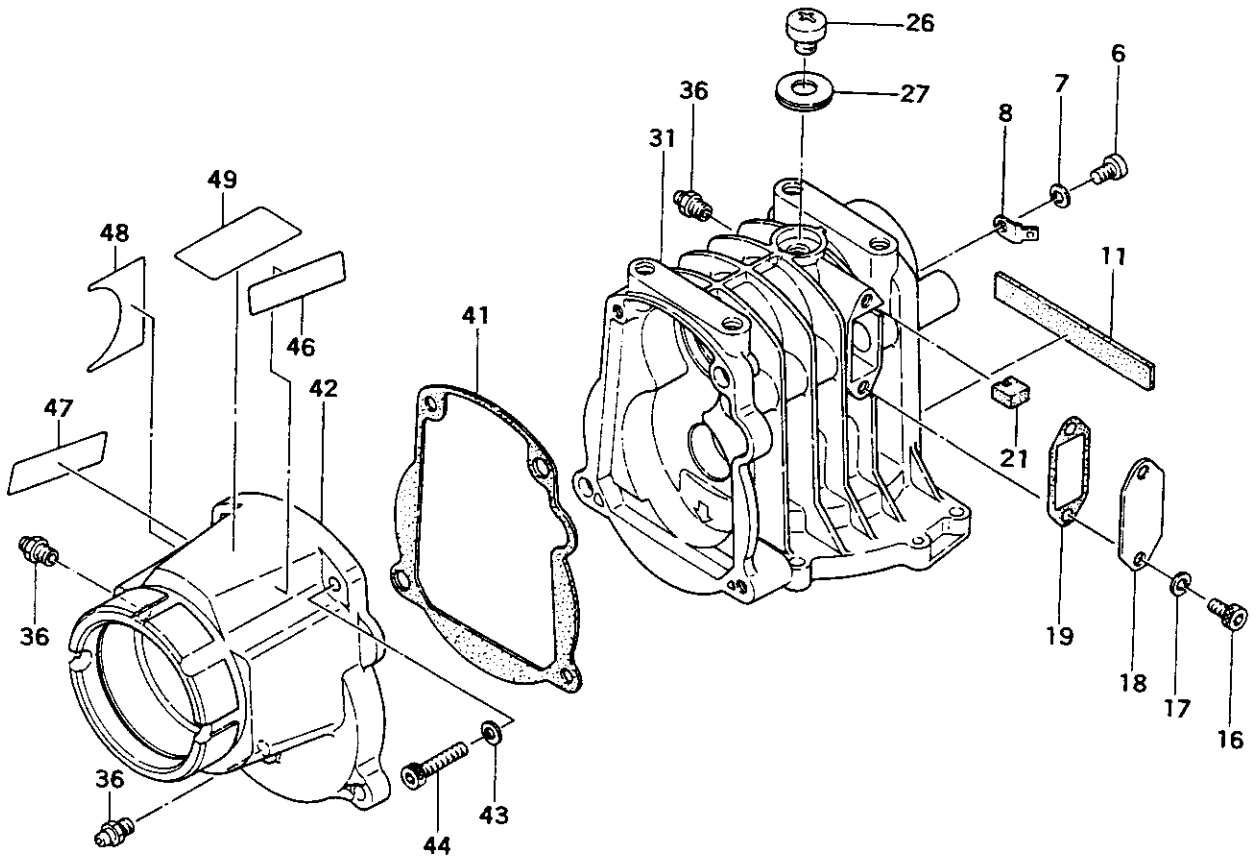


FIGURE 6

TED-260/265 PARTS LISTING

REF.	PART NO.	PART DESCRIPTION	Q	C	S	SERIAL NO	REMARKS
6	990-11040-081	SCREW,4X8	1		C		
7	992-10040-012	WASHER,S,4	1		B		
8	205-11600-201	TAB,TERMINAL	1		D		
11	198-0162V-200	CLAMP,CORD	1		D		
16	990-51050-123	BOLT,HEX,5X12	2		C		
17	992-10050-012	WASHER,S,5	2		A		
18	155-32161-800	HOLDER,CHUCK KEY	1		D		
19	303-32161-200	GASKET,GEAR CASE COVER	1		D		
21	305-32161-200	GASKET,AIR VENT	1		D		
26	990-11080-081	SCREW,8X8	1		D		
27	316-12101-200	GASKET,DRAIN PLUG	1		D		
31	002-32161-801	CASE,GEAR A	1		D		
36	300-32250-800	NIPPLE,GREASE	3		D		
41	304-32161-200	GASKET,GEAR CASE	1		C		
42	006-32180-800	CASE,GEAR B	1		D		TED-260
42	006-32161-801	CASE,GEAR,B	1		D		TED-265
43	992-10050-012	WASHER,S,5	4		A		
44	990-51050-253	BOLT,HEX,5X25	4		B		
46	919-32161-201	DECAL,CAUTION	1		D		TED-265
47	922-32161-201	DECAL,CAUTION	1		D		TED-265
48	920-32161-201	DECAL,CAUTION	1		D		TED-265
49	929-11603-200	DECAL,SYMBOL	1		D		

* Indicates the part is included in a kit or assembly and is not available individually. Q=Quan. used
 C=Interchangeability S=Stocking code: A-Fast moving B=Med. fast C=Med. move D=Slow move
 E=N.L.A. F=Superceded or replaced by a new part

FIG.7 HANDLE

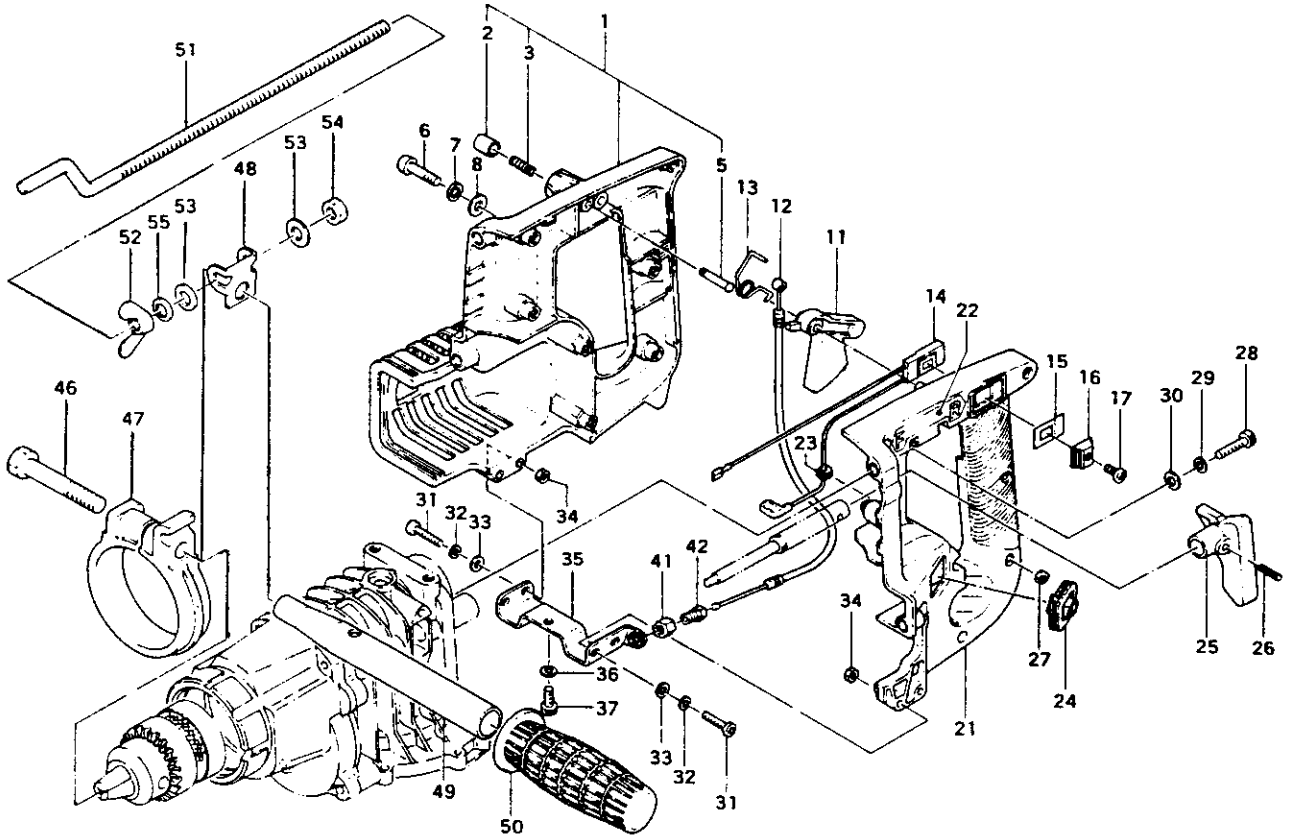


FIGURE 7

TED-260/265 PARTS LISTING

REF.	PART NO.	PART DESCRIPTION	Q	C	S	SERIAL NO	REMARKS
1	049-32161-800	HANDLE,REAR,B	1		C		
2	725-32600-202	CAP,PUSH PIN	1		C		
3	066-32300-201	SPRING,STOPPER	1		D		
5	064-32530-200	PIN,PUSH	1		C		
6	990-11040-251	SCREW,4X25	7		C		
7	992-10040-012	WASHER,S,4	7		B		
8	992-00040-011	WASHER,4	7		B		
11	101-32161-200	LEVER,THROTTLE	1		C		
12	885-0162V-800	WIRE,THROTTLE	1		C		
13	105-32161-200	SPRING,THROTTLE LEVER	1		C		
14	170-0162V-801	BUTTON,STOP	1		C		
15	925-32350-200	DECAL,ON-OFF/CAUTION	1		C		
16	258-11650-20	BUTTON,STOP	1		C		
17	990-11040-101	SCREW,4X10	1		A		
21	047-32161-800	HANDLE,REAR A	1		D		
22	918-32161-201	DECAL,CAUTION,A	1		D		
23	203-06000-200	GROMMET,PRIMARY CORD	1		C		
24	203-0162V-200	GROMMET	1		D		
25	088-32161-200	KNOB,SHIFT	1		C		
26	993-26040-101	PIN,SPRING,4X10	1		C		
27	991-78040-010	NUT,LOCK 4	7		C		
28	990-51050-253	BOLT,HEX,5X25	4		B		
29	992-10050-012	WASHER,S,5	4		A		
30	992-00050-011	WASHER,SMALL,5	4		C		
31	990-11040-221	SCREW,4X22	4		B		
32	992-10040-012	WASHER,S,4	4		B		
33	992-00040-011	WASHER,4	4		B		
34	991-78040-010	NUT,LOCK 4	4		C		
35	265-32161-200	BRACKET,HANDLE SUPPORT	1		D		
36	992-10050-012	WASHER,S,5	1		A		
37	990-51050-123	BOLT,HEX,5X12	1		C		
41	991-01060-013	NUT,6	1		B		
42	894-01401-201	RECEIVER,OUTER	1		B		
46	190-32161-200	BOLT,SPECIAL	1		C		
47	266-32161-200	BRACKET,HANDLE	1		D		
48	159-32161-200	CLAMP,GAUGE,DEPTH	1		D		
49	056-32161-200	HOLDER,HANDLE GRIP	1		D		
50	055-32161-200	GRIP,HANDLE	1		C		
51	160-32161-200	GUAGE,DEPTH	1		D		

* Indicates the part is included in a kit or assembly and is not available individually. Q=Quan. used
C=Interchangeability S=Stocking code: A-Fast moving B=Med. fast C=Med. move D=Slow move
E=N.L.A. F=Superceded or replaced by a new part

FIGURE 7 cont.

TED-260/265 PARTS LISTING

REF.	PART NO.	PART DESCRIPTION	Q	C	S	SERIAL NO.	REMARKS
52	991-61080-011	NUT,WING,8	1		D		
53	992-00080-011	WASHER,8	2		D		
54	991-01080-013	NUT,8	1		C		
55	992-10080-012	WASHER,S,8	1		B		

* Indicates the part is included in a kit or assembly and is not available individually. Q=Quan. used
C=Interchangeability S=Stocking code: A-Fast moving B=Med. fast C=Med. move D=Slow move
E=N.L.A. F=Superceded or replaced by a new part

FIG.8 TRANSMISSION (TED-260)

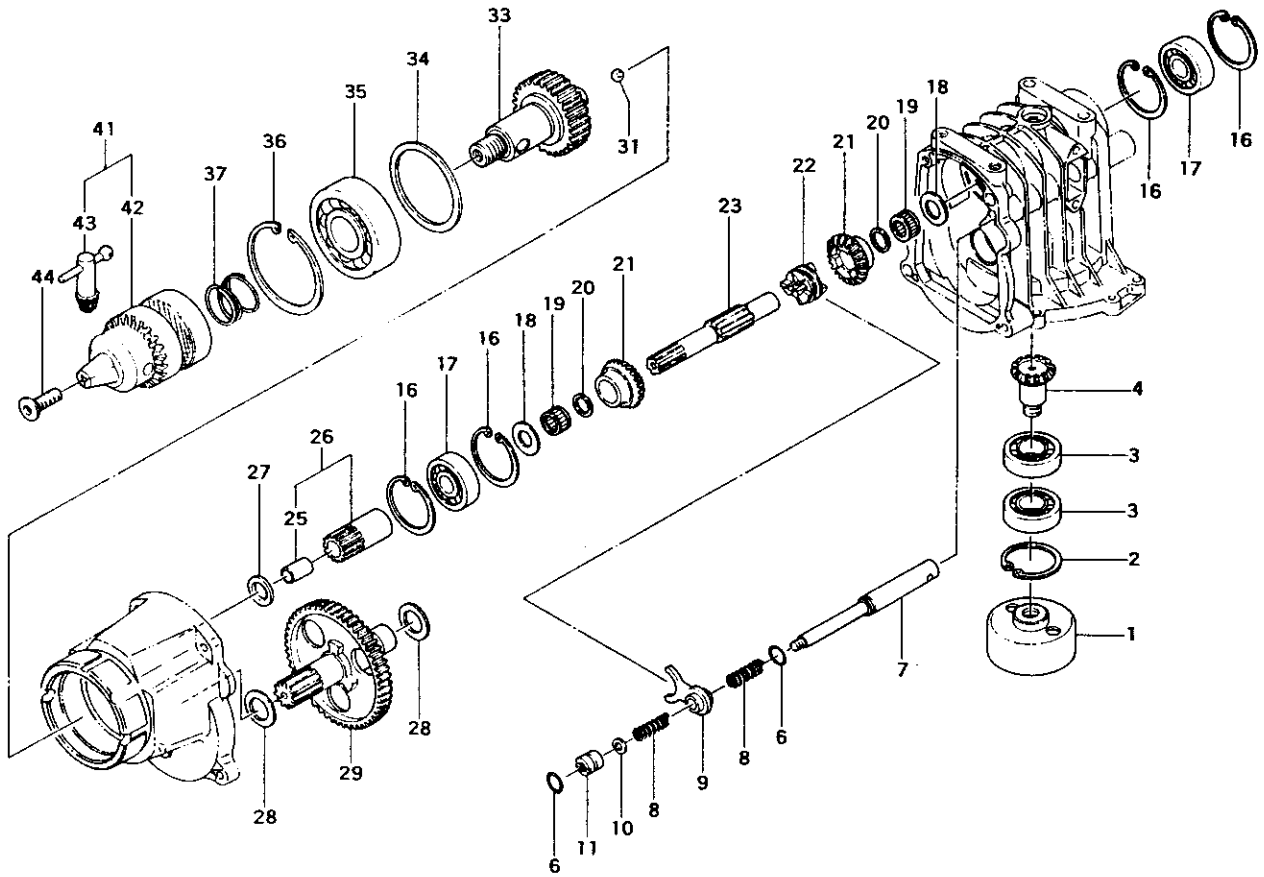


FIGURE 8

TED-260 PARTS LISTING

REF.	PART NO.	PART DESCRIPTION	Q	C	S	SERIAL NO.	REMARKS
1	288-32161-800	DRUM,CLUTCH	1		C		
2	993-51035-002	RING,IN,C-35,STOP	1		C		
3	999-61600-304	BEARING,BALL,#6003DDU	2		D		
4	010-32161-200	GEAR,I	1		C		
6	999-67009-000	O-RING,P-9	2		D		
7	087-32161-200	SHAFT,SHIFT	1		D		
8	097-32161-200	SPRING,SHAFT	2		D		
9	089-32161-800	FORK,SHIFT	1		D		
10	992-10050-012	WASHER,S,5	1		A		
11	098-32161-200	GUIDE,SHIFT	1		D		
16	993-51037-002	RING,STOP,C-37	4		D		
17	999-61630-104	BEARING,BALL,#6301DDU	2		D		
18	140-32161-200	WASHER,THRUST,1.0	2		D		
19	999-62121-601	BEARING,NEEDLE,KT121610	2		D		
20	040-32161-200	SPACER,BEARING	2		D		
21	012-32161-200	GEAR,II	2		C		
22	035-32161-200	DOG,CLUTCH	1		C		
23	027-32161-200	SHAFT	1		D		
25	200-32180-201	BUSHING,1010	1		D		
26	016-32180-801	GEAR,III	1		D		
27	175-35500-200	SHIM,10.1X16X1.0	1		D		
28	041-32161-200	SPACER,BEARING,II	2		D		
29	018-32180-800	GEAR,IV	1		D		
31	673-35600-20	BALL,STEEL	1		B		
33	022-32161-800	SHAFT,DRIVE	1		D		
34	180-32161-200	WASHER,2.0	1		D		
35	999-61630-504	BEARING,BALL,#6305LLU	1		D		
36	993-51062-002	RING,STOP,C-62	1		D		
37	195-32161-200	SPRING,DRIVE SHAFT	1		D		
41	059-32160-901	CHUCK/KEY,5/8",16PT	1		C		
42	060-32160-901	CHUCK,16PT.,5/8"	1		D		
43	061-32452-800	KEY,CHUCK,5/8 HARA	1		C		
44	990-52080-252	BOLT,HEX.HOLE,8X25	1		D		

* Indicates the part is included in a kit or assembly and is not available individually. Q=Quan. used
C=Interchangeability S=Stocking code: A=Fast moving B=Med. fast C=Med. move D=Slow move
E=N.L.A. F=Superceded or replaced by a new part

FIG.8 TRANSMISSION (TED-265)

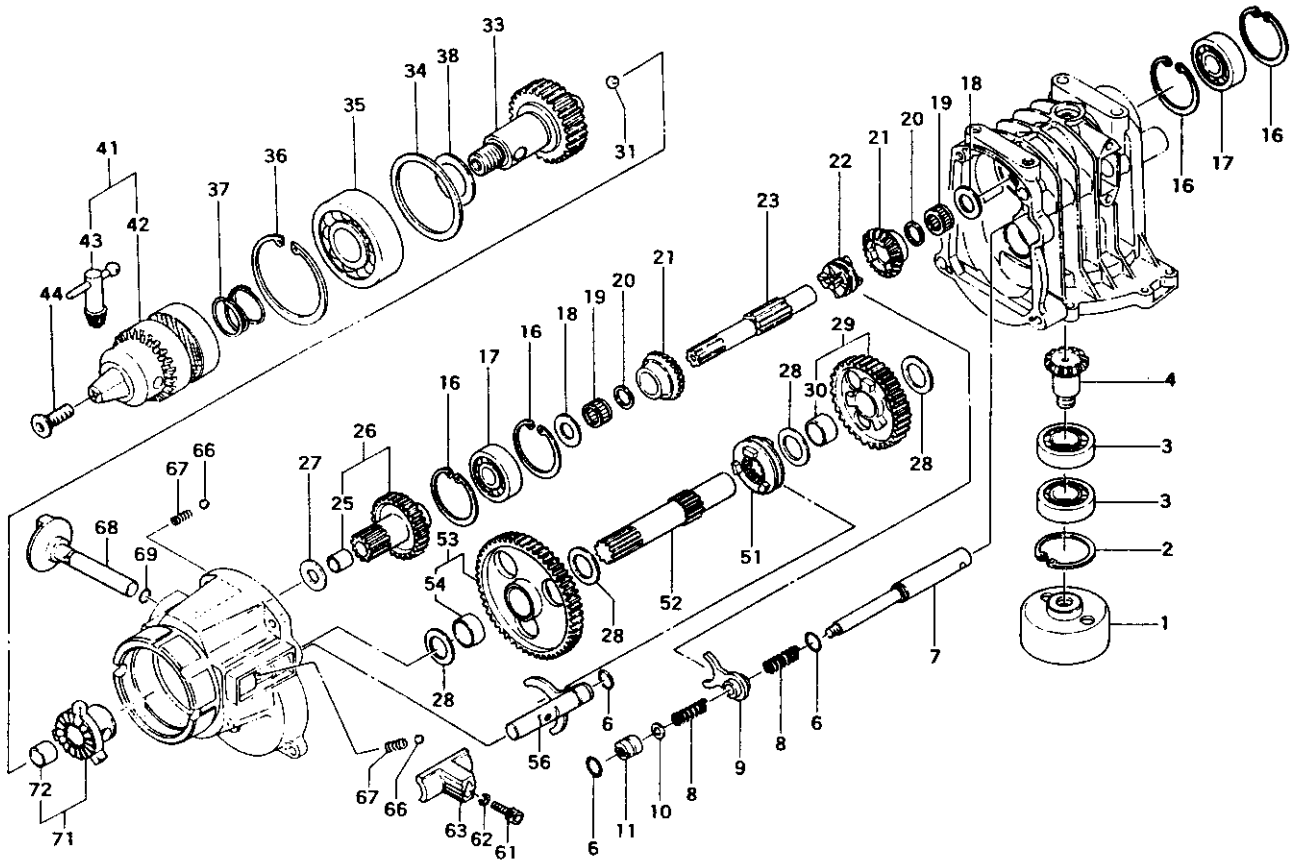


FIGURE 8

TED-265 PARTS LISTING

REF.	PART NO.	PART DESCRIPTION	Q	C	S	SERIAL NO	REMARKS
1	288-32161-800	DRUM,CLUTCH	1		C		
2	993-51035-002	RING,IN,C-35,STOP	1		C		
3	999-61600-304	BEARING,BALL,#6003DDU	2		D		
4	010-32161-200	GEAR,I	1		C		
6	999-67009-000	O-RING,P-9	2		D		
7	087-32161-200	SHAFT,SHIFT	1		D		
8	097-32161-200	SPRING,SHAFT	2		D		
9	089-32161-800	FORK,SHIFT	1		D		
10	992-10050-012	WASHER,S,5	1		A		
11	098-32161-200	GUIDE,SHIFT	1		D		
16	993-51037-002	RING,STOP,C-37	4		D		
17	999-61630-104	BEARING,BALL,#6301DDU	2		D		
18	140-32161-200	WASHER,THRUST,1.0	2		D		
19	999-62121-601	BEARING,NEEDLE,KT121610	2		D		
20	040-32161-200	SPACER,BEARING	2		D		
21	012-32161-200	GEAR,II	2		C		
22	035-32161-200	DOG,CLUTCH	1		C		
23	027-32161-200	SHAFT	1		D		
25	200-32161-201	BUSHING	1		D		
26	016-32161-801	GEAR,STEP	1		D		
27	175-35500-200	SHIM,10.1X16X1.0	1		D		
28	041-32161-200	SPACER,BEARING,II	4		D		
29	018-32161-800	GEAR,IV	1		D		
30	201-32161-200	BUSHING,II	1		D		
31	673-35600-20	BALL,STEEL	1		B		
33	022-32161-800	SHAFT,DRIVE	1		D		
34	180-32161-200	WASHER,2.0	1		D		
35	999-61630-504	BEARING,BALL,#6305LLU	1		D		
36	993-51062-002	RING,STOP,C-62	1		D		
37	195-32161-200	SPRING,DRIVE SHAFT	1		D		
38	141-32161-200	WASHER,THRUST,1.0	1		D		
41	059-32160-901	CHUCK/KEY,5/8",16PT	1		C		
42	060-32160-901	CHUCK,16PT.,5/8"	1		D		
43	061-32452-800	KEY,CHUCK,5/8 HARA	1		C		
44	990-52080-252	BOLT,HEX.HOLE,8X25	1		D		
51	036-32161-200	CLUTCH,DOG,II	1		D		
52	029-32161-200	SHAFT,III	1		D		
53	019-32161-800	GEAR,V	1		D		
54	201-32161-200	BUSHING,II	1		D		

* Indicates the part is included in a kit or assembly and is not available individually. Q=Quan. used
C=Interchangeability S=Stocking code: A=Fast moving B=Med. fast C=Med. move D=Slow move
E=N.L.A. F=Supersceded or replaced by a new part

FIGURE 8 cont.

TED-265 PARTS LISTING

REF.	PART NO.	PART DESCRIPTION	Q	C	S	SERIAL NO.	REMARKS
56	090-32161-800	SHIFT,II	1		D		
61	990-51050-253	BOLT,HEX,5X25	1		B		
62	992-10050-012	WASHER,S,5	1		A		
63	092-32161-200	KNOB,SHIFT,II	1		D		
66	107-32161-200	BALL,STEEL,1/4	2		D		
67	106-32161-200	SPRING,SHIFT GUIDE	2		D		
68	094-32161-800	SHIFT,III	1		D		
69	999-67012-000	O-RING,P12	1		D		
71	115-32161-800	RATCHET	1		D		
72	999-62121-610	BEARING,NEEDLE,TLA1210	1		D		

* Indicates the part is included in a kit or assembly and is not available individually. Q=Quan. used
 C=Interchangeability S=Stocking code: A-Fast moving B=Med. fast C=Med. move D=Slow move
 E=N.L.A. F=Superceded or replaced by a new part

FIG.9 TOOLS & OPTIONAL PARTS

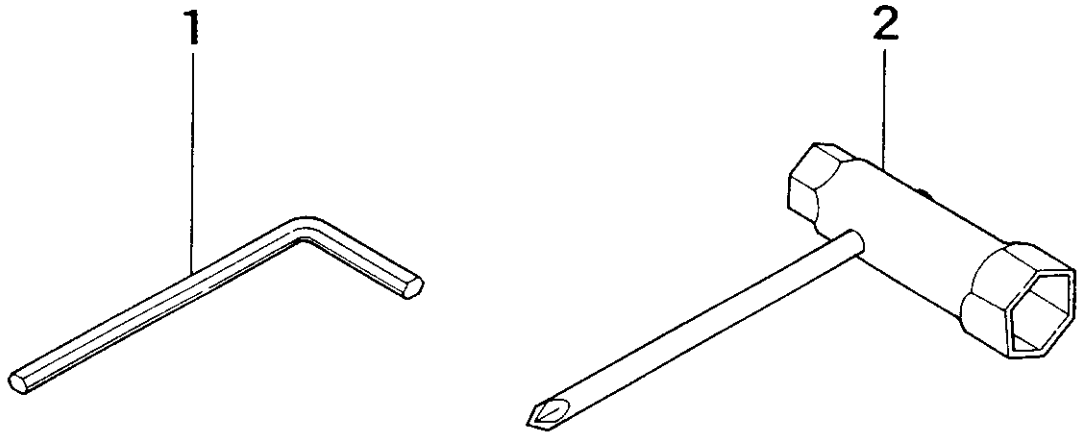


FIGURE 9

TED-260/265 PARTS LISTING

REF.	PART NO.	PART DESCRIPTION	Q	C	S	SERIAL NO	REMARKS
1	813-20000-200	WRENCH,HEX,4	1		D		
2	829-20000-80	SPANNER,COMBI,13X19	1		C		

Free Manuals Download Website

<http://myh66.com>

<http://usermanuals.us>

<http://www.somanuals.com>

<http://www.4manuals.cc>

<http://www.manual-lib.com>

<http://www.404manual.com>

<http://www.luxmanual.com>

<http://aubethermostatmanual.com>

Golf course search by state

<http://golfingnear.com>

Email search by domain

<http://emailbydomain.com>

Auto manuals search

<http://auto.somanuals.com>

TV manuals search

<http://tv.somanuals.com>