

# **Tanaka** Illustrated Parts Manual

Model Number:

**TED-262HS**

**HIGH SPEED PORTABLE DRILL**

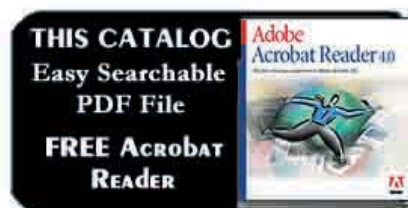
P/N 30058

Rev 000

Date 4-1-08



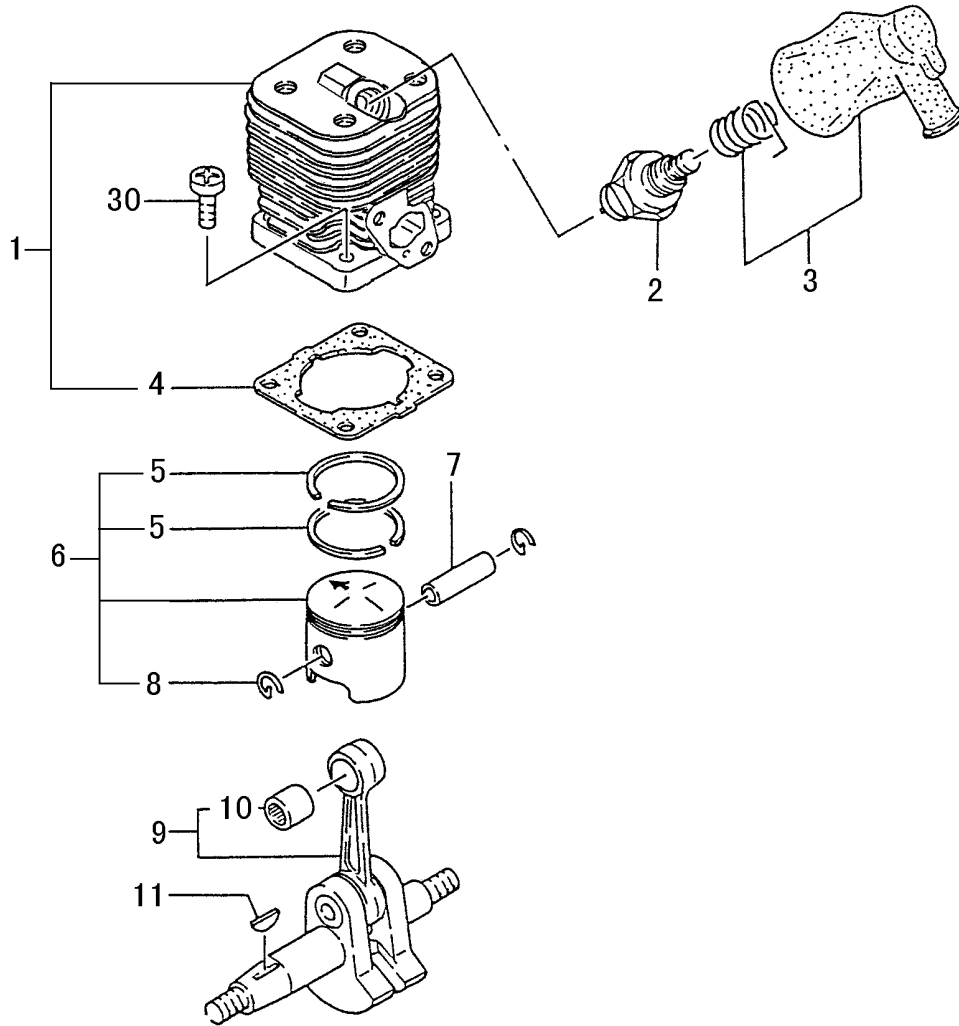
*Unit shown equipped  
with optional Wet Kit  
Order #29898*



Nikko Tanaka Engineering U.S.A.,Ltd. • 1028 4<sup>th</sup> Street SW, Bldg B • Auburn, WA 98001 • Phone: (253) 333-1200 • Fax: (253) 333-1212

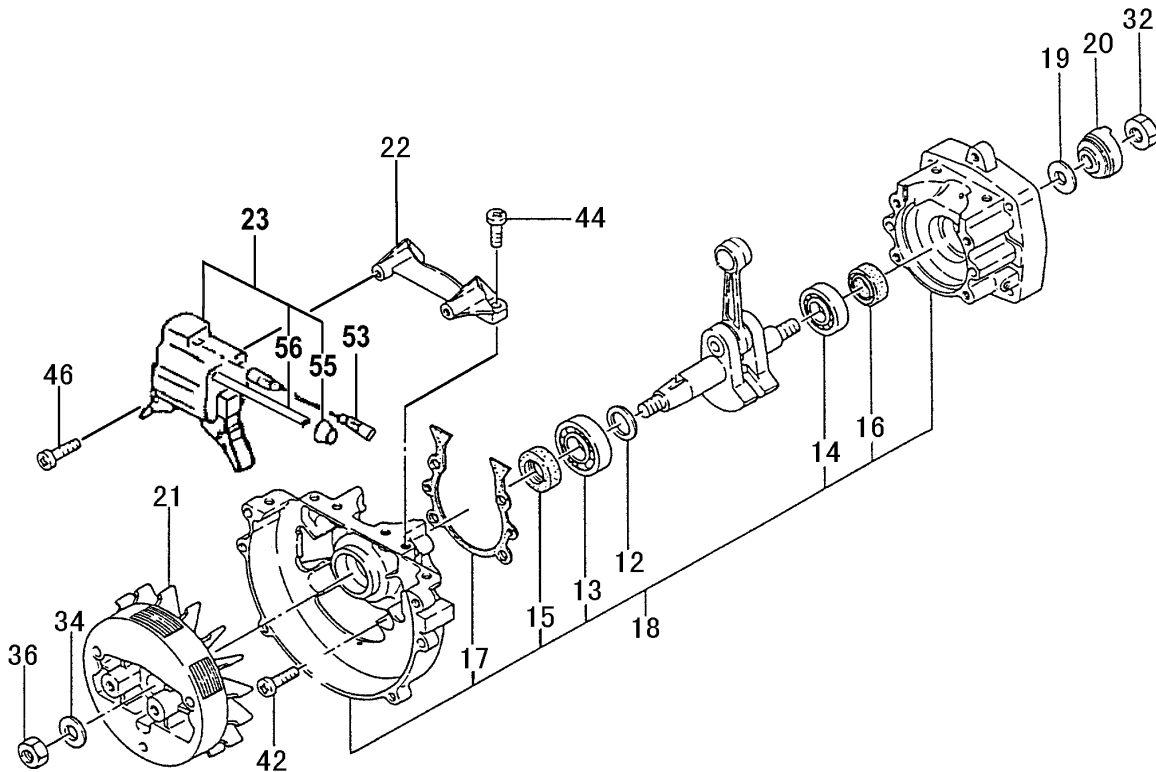
[www.tanakapowerequipment.com](http://www.tanakapowerequipment.com)

[custsvc@nikko-tanaka-usa.com](mailto:custsvc@nikko-tanaka-usa.com)

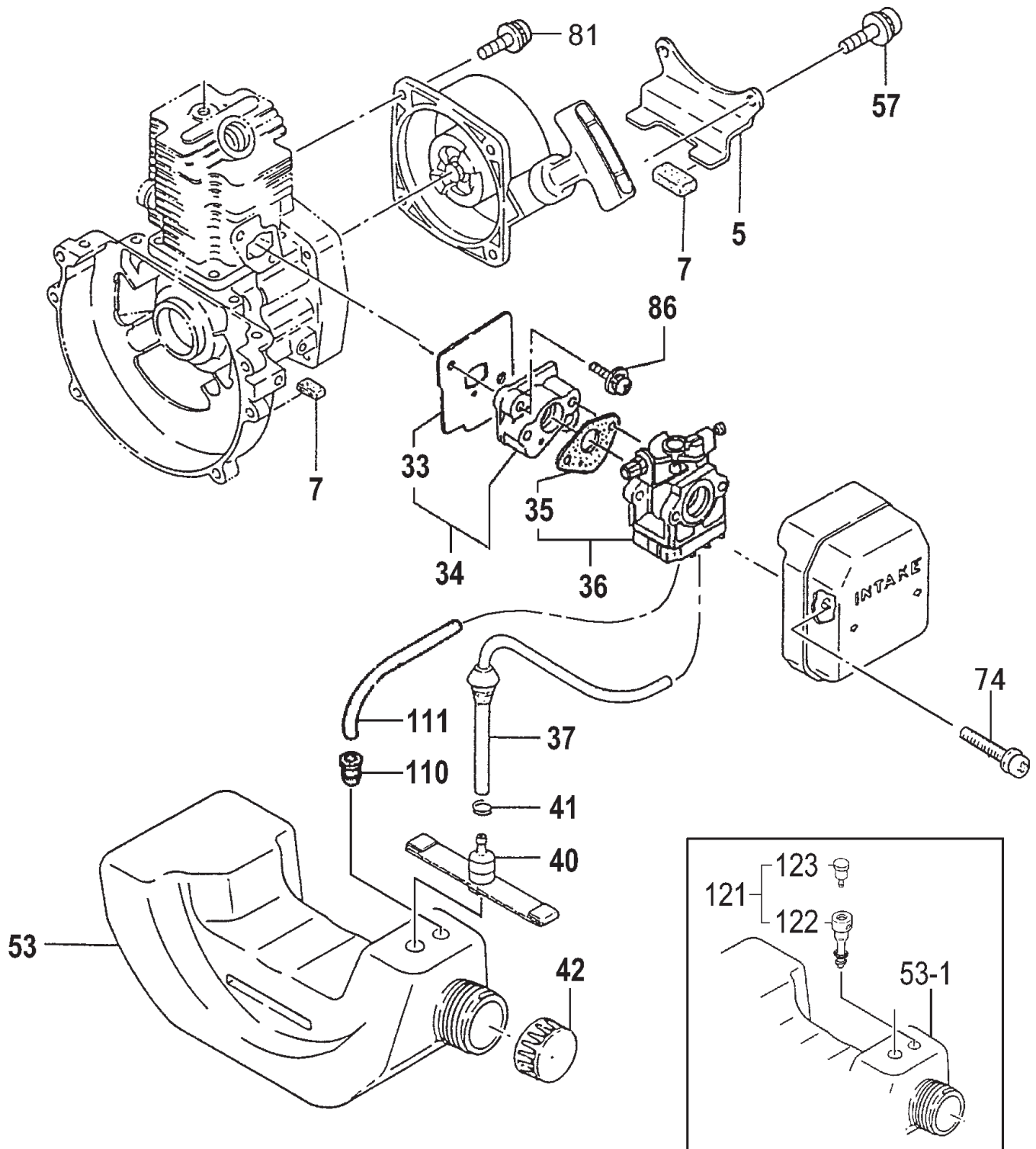


ITEM	PART NUMBER	DESCRIPTION	QTY	COMMENTS
1-1	0010160090	SET,CYLINDER	1	Includes gasket
1-2	01801805200	PLUG,SPARK	1	
1-3	1570097A900	CAP,SPARK PLUG,ASS'Y	1	
1-4	01701620200	GASKET,CYLINDER	1	
1-5	04101601200	RING,PISTON	2	Includes rings and circlips
1-6	0300162090	PISTON SET	1	
1-7	03701700200	PIN,PISTON	1	
1-8	03900000201	CIRCLIP,PISTON PIN	2	
1-9	0460162S81	CRANKSHAFT	1	
1-10	99962091338	BEARING,NEEDLE,KTV91313	1	
1-11	06810100200	KEY,WOODRUFF,3X13X4.5	1	
1-30	99461050164	BOLT,HEX,5X16,S	1	

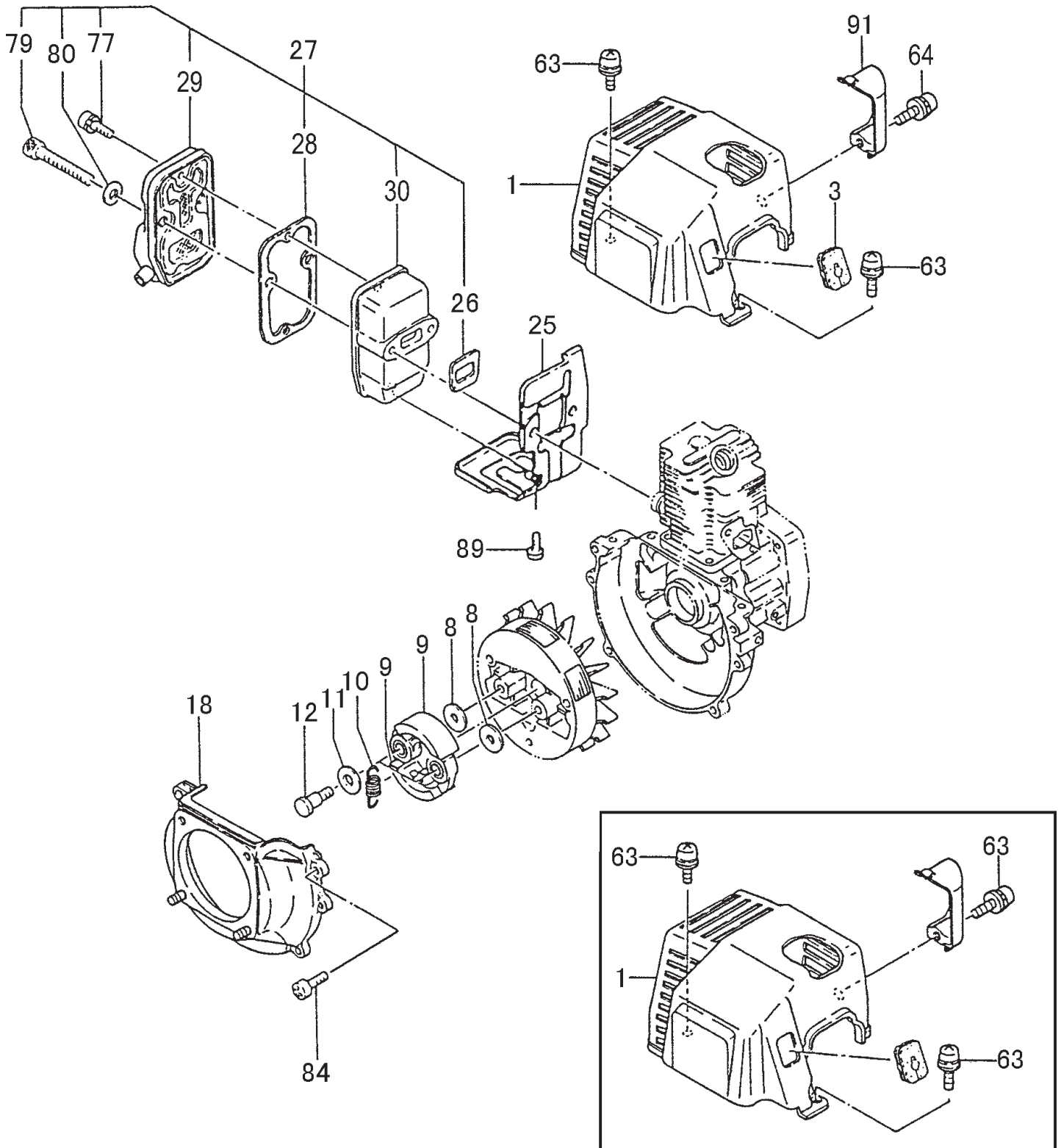
### CRANKCASE, IGNITION COIL, FLYWHEEL • FIGURE 2



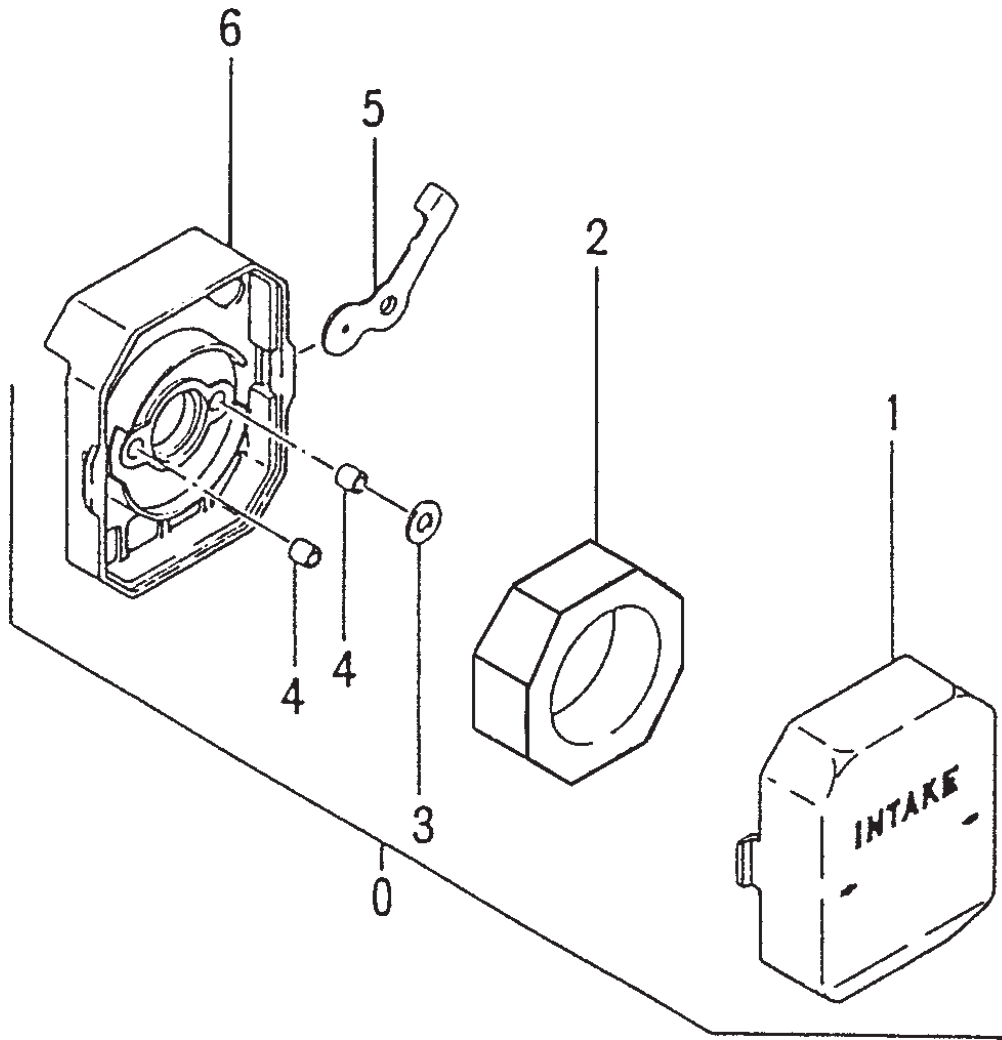
ITEM	PART NUMBER	DESCRIPTION	QTY	COMMENTS
2-12	07102007200	SHIM,15.2X20X.05	1	
2-12	07102007210	SHIM,15.2X20X.10	1	
2-12	07102007220	SHIM,15.2X20X.15	1	
2-12	07111600230	SHIM,16X21X.20	1	
2-12	07111600240	SHIM,16X21X.30	1	
2-13	99961600200	BEARING,BALL,#6002	1	
2-14	99961600115	BEARING,BALL,6001 C3	1	
2-15	99966152564	SEAL,OIL,UD15257	1	
2-16	99966122240	SEAL,OIL,#12227	1	
2-17	0900060120	GASKET,CRANKCASE	1	
2-18	07201620900	CRANKCASE,ASS'Y	1	Includes bearings, seals and gasket
2-19	35910112203	WASHER,CLUTCH B	1	
2-20	79801630200	PULLEY,STARTER	1	
2-21	1552172080	ROTOR,MAGNETO	1	
2-22	1650162V200	PLATE,COIL HOLDING	1	
2-23	1672054790	COIL,IGNITION	1	
2-32	99101080011	NUT,8	1	
2-34	99200080011	WASHER,8	1	
2-36	99101080011	NUT,8	1	
2-42	99461050304	BOLT,HEX,5X30S	4	
2-44	99414050161	SCREW,5X16/S	2	
2-46	99416040186	SCREW,WS,4X18	2	
2-53	1780160080	CORD	1	
2-55	56020517200	CAP,RUBBER	1	
2-56	1782054420	LEAD,HIGH TENSION	1	



ITEM	PART NUMBER	DESCRIPTION	QTY	COMMENTS
3-5	65301620200	BRACKET,TANK	1	
3-7	65506100200	CUSHION,TANK	4	
3-33	4030160020	GASKET,INLET MANIFOLD	1	
3-34	4040160091	INSULATOR SET	1	Includes gasket
3-35	4020602K21	GASKET,CARBURETOR	1	
3-36	4550160090	CARBURETOR SET	1	Includes gasket ~Z207350
3-36	4550160290	CARBURETOR SET	1	Includes gasket Z207351~
3-37	2230650090	PIPE,FUEL,ASS'Y	1	
3-40	6750608A900	FILTER,FUEL	1	
3-41	68000731201	CLIP 6.3	1	
3-42	5950656B90	CAP,FUEL BLACK,NON VENT	1	~Z207350
3-42	5950300290	CAP,TANK (BLACK/RED)	1	Z207351~
3-53-1	5910160020	TANK,FUEL	1	~Z207350
3-53	5910162080	TANK,FUEL	1	Z207351~
3-57	99415040182	SCREW,PS,4X18	2	
3-74	99416050601	SCREW,5x60WS	2	
3-81	99415040142	SCREW,4X14/PS	2	
3-86	99416050241	SCREW 5x24WS	2	
3-110	53432710200	GROMMET,FUEL PIPE	1	Z207351~
3-111	7000300507	PIPE,FUEL,3X5X75	1	Z207351~
3-121	5640661190	VENT,AIR ASS'Y	1	~Z2073510
3-122	5650441020	PIPE,AIR VENT	1	
3-123	6460661290	VALVE	1	

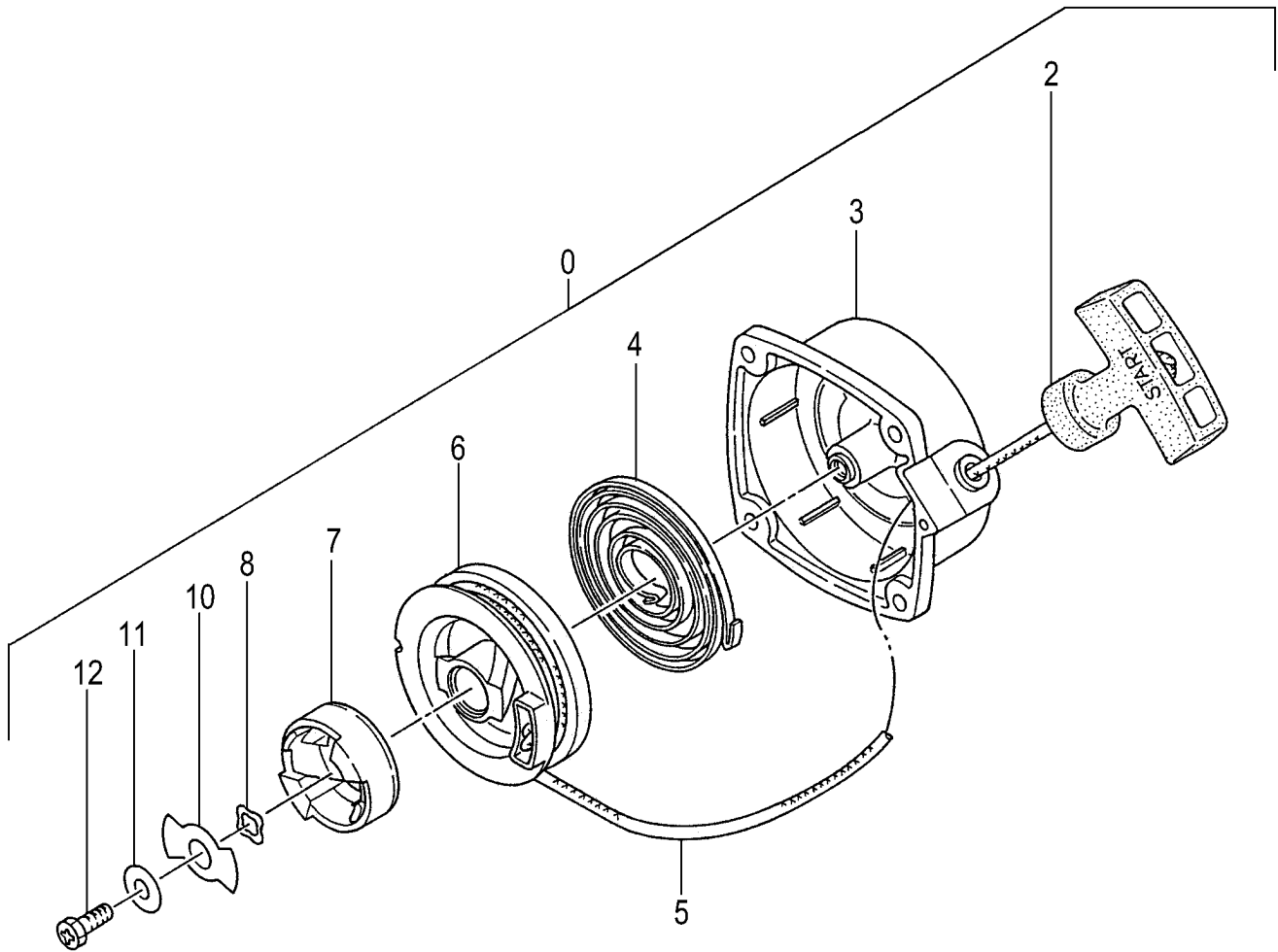


ITEM	PART NUMBER	DESCRIPTION	QTY	COMMENTS
4-1	7380162021	PROTECTOR,MUFFLER	1	
4-3	2030630B201	GROMMET,CORD,PRIMARY	1	
4-8	35902103200	WASHER,CLUTCH,B	2	
4-9	29001620800	SHOE,CLUTCH	2	
4-10	3420630B200	SPRING,CLUTCH	1	
4-11	35802103200	WASHER,CLUTCH A	2	
4-12	3570075T200	BOLT,STEP	2	
4-18	1120162S801	CASE,FAN	1	
4-25	13301620220	SHIELD,HEAT	1	
4-26	73701620200	GASKET,MUFFLER	1	
4-27	7040162T90	SET,MUFFLER	1	
4-28	73901620210	GASKET,MUFFLER COUPLING	1	
4-29	7170162T800	BODY,MUFFLER,B	1	
4-30	71601620210	BODY,MUFFLER,A	1	
4-63	99415050122	SCREW,5X12/PS	3	
4-63	99416050122	SCREW,5X12/WS	2	
4-64	99415050162	SCREW,5X16/PS	1	
4-77	99413040122	SCREW,4X12/P	2	
4-79	99051050453	BOLT,HEX,5X45	2	
4-80	99201050061	WASHER,5	2	
4-84	99414050161	SCREW,5X16/S	4	
4-89	99413050101	SCREW,5X10/P	1	
4-91	13201620200	DEFLECTOR,AIR	1	

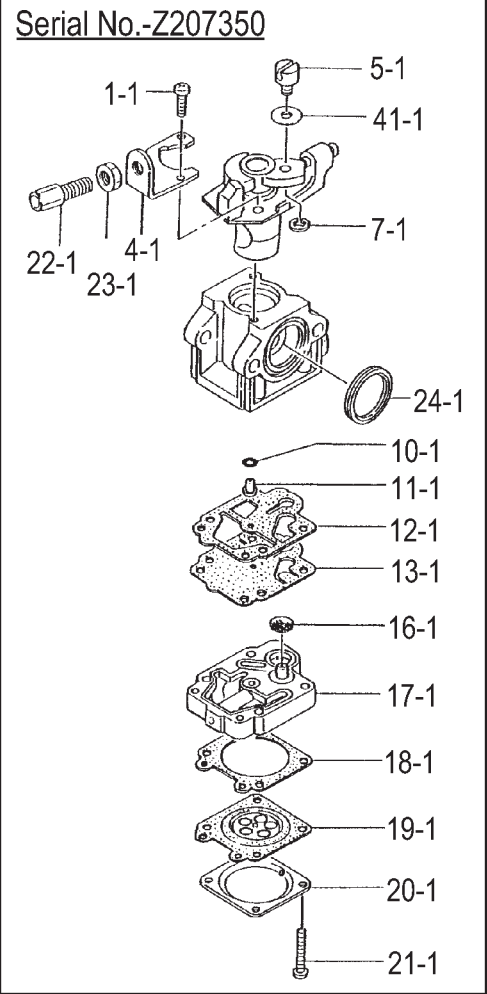


ITEM	PART NUMBER	DESCRIPTION	QTY	COMMENTS
5-0	4100650D90	AIR CLEANER ASSY	1	
5-1	4240602K201	CAP, CLEANER	1	
5-2	4460072Z20	ELEMENT CLEANER	1	
5-3	4530602K200	COLLAR	1	
5-4	47000025200	COLLAR	2	
5-5	5280635A200	PLATE, CHOKE	1	
5-6	4230072Z81	BODY, CLEANER	1	





ITEM	PART NUMBER	DESCRIPTION	QTY	COMMENTS
6-0	7620094090	STARTER,RECOIL ASS'Y	1	
6-2	78500940200	HANDLE,STARTER	1	
6-3	77200940801	BODY,STARTER	1	
6-4	78000940200	SPRING,RECOIL	1	
6-5	78300940200	ROPE,STARTER	1	
6-6	77400940200	REEL,STARTER ROPE	1	~V202950
6-6	7740163021	PULLEY,STARTER	1	V202951~
6-7	7880163021	PAWL,STARTER	1	
6-8	80105015200	WASHER,STARTER PULLEY	1	
6-10	8370501521	PLATE,FRICTION	1	
6-11	82205015200	SHIM,PULLEY	1	~V202950
6-11	8220423020	SHIM,STARTER PULLEY	1	V202951~
6-12	8390423020	BOLT,SET	1	



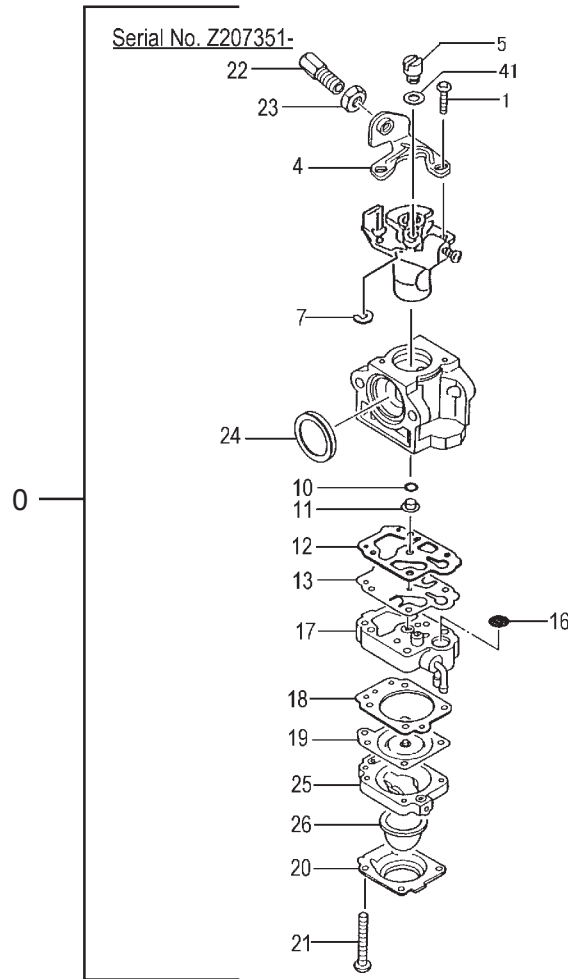
### Tanaka Parts Update

To Convert To The Primer Type  
Fuel System Order The Following Parts\*;

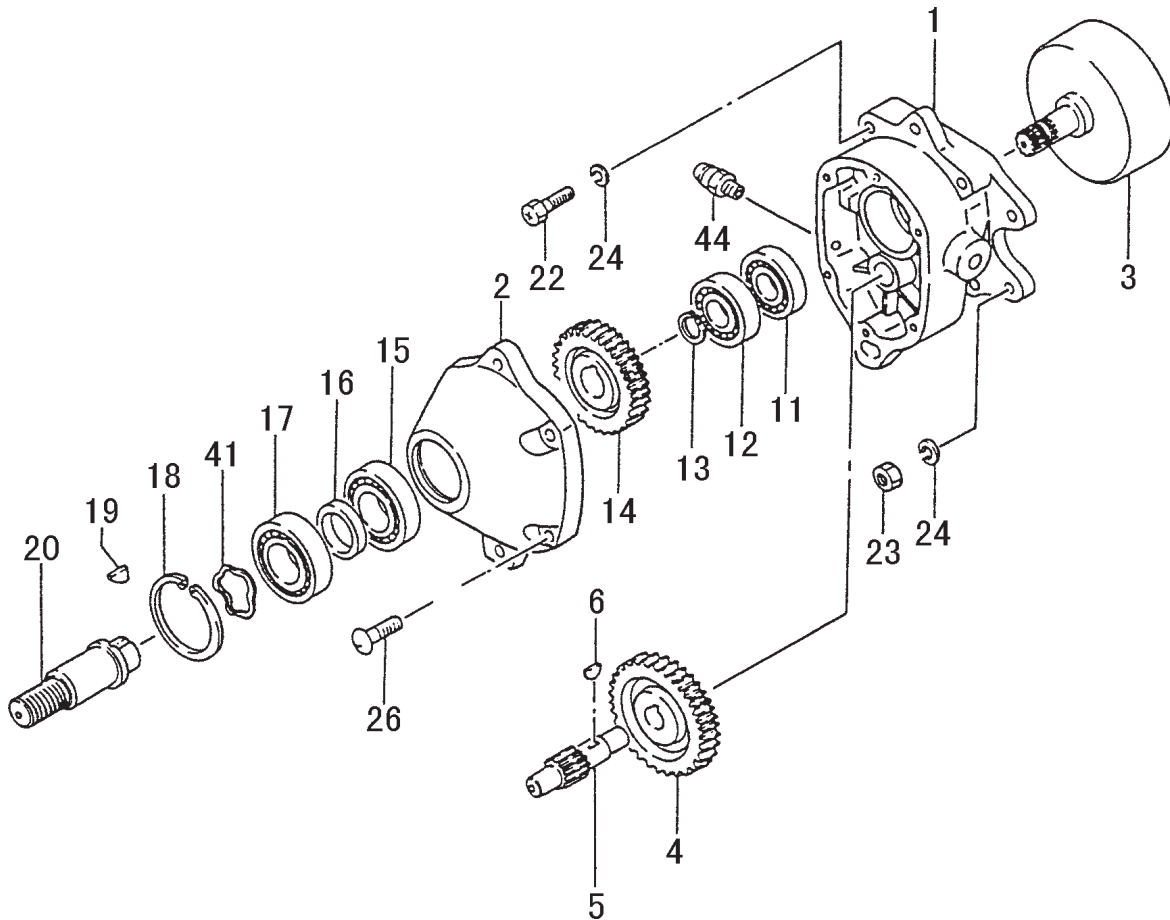
- 455.01602.90 Carburetor
- 591.01620.80 Fuel Tank
- 700.03005.350 Fuel Pipe
- 534.32710.200 Grommet
- 595.03002.90 Gas Cap

\*Only For Use With Units With Serial Numbers  
Before Z207350

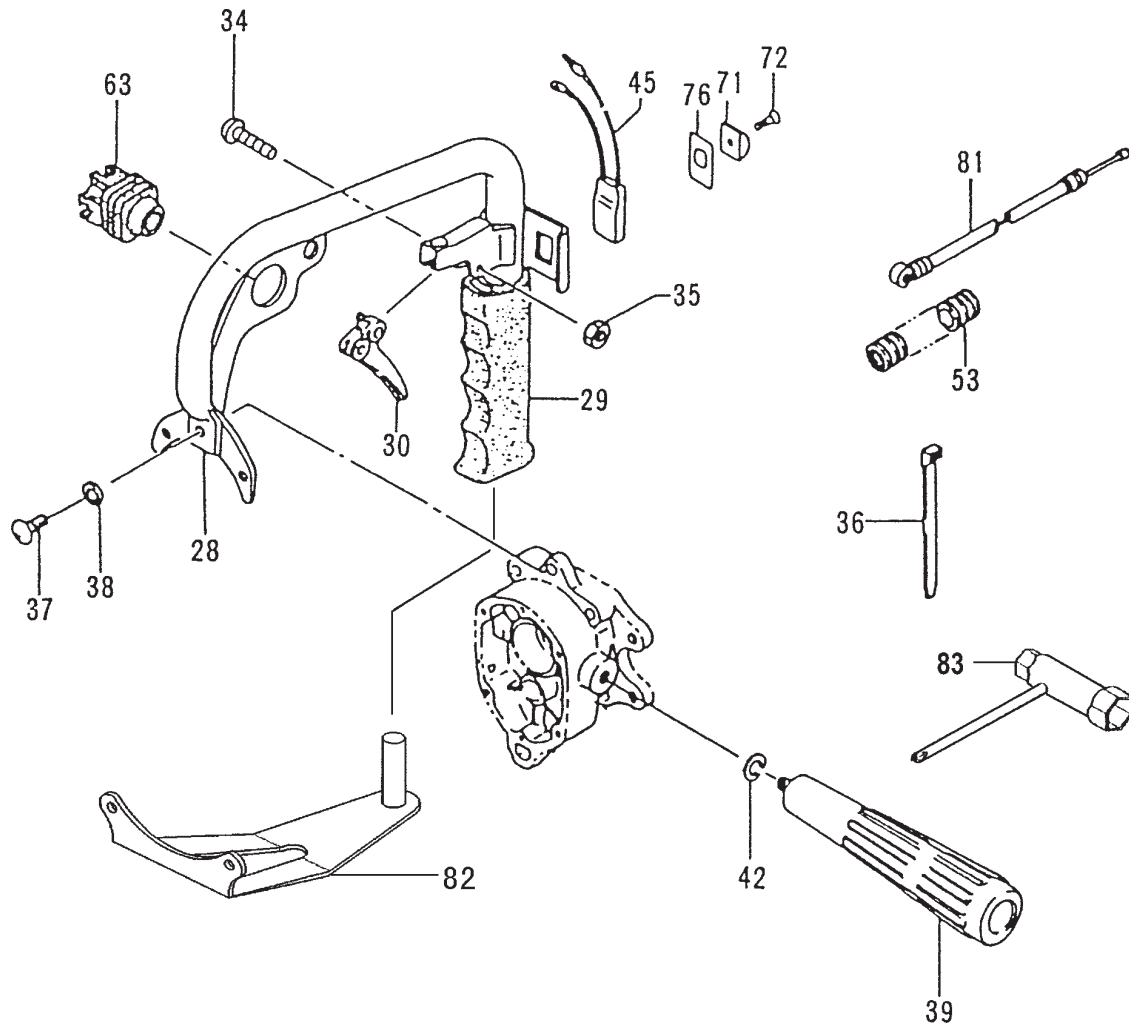
ITEM	PART NUMBER	DESCRIPTION	QTY	COMMENTS
7-1-0	4550160090	CARBURETOR SET	1	Units before S/N Z207350 - Incl gasket
7-1-1	51425100200	SCREW, THROTTLE SET	2	
7-4-1	54425164200	STAY, ADJUST, CABLE	1	
7-5-1	53925120200	SWIVEL	1	
7-7-1	48925100200	RING, STOP	1	
7-10-1	55025100200	O-RING	1	
7-11-1	599200AW37	JET, MAIN #37.5	1	
7-12-1	~ ~ ~	GASKET, PUMP	1	~ Included in 650.25124.900 Carb Kit (items not sold individually)
7-13-1	~ ~ ~	DIAPHRAGM, PUMP	1	
7-16-1	57825007200	SCREEN, INLET	1	
7-17-1	5752515280	BODY, PUMP	1	
7-18-1	~ ~ ~	GASKET, DIAPHRAGM	1	
7-19-1	~ ~ ~	DIAPHRAGM, METERING	1	
7-20-1	47625004200	COVER, DIAPHRAGM	1	
7-21-1	54825101200	SCREW, SET	4	
7-22-1	61425137200	ADJUSTER, CABLE	1	
7-23-1	99101060013	NUT, 6	1	
7-24-1	4310634C200	GASKET, CLEANER	1	
7-41-1	5492516520	WASHER, THRUST	1	



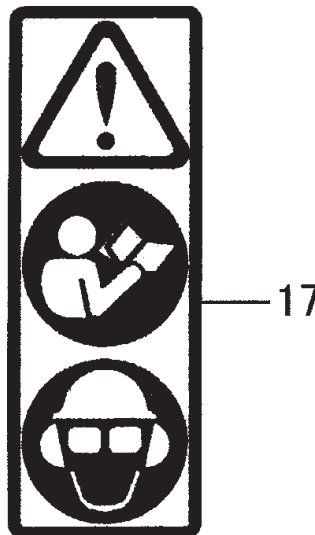
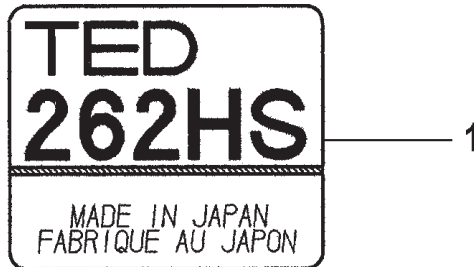
ITEM	PART NUMBER	DESCRIPTION	QTY	COMMENTS
7-0	4550160290	CARBURETOR SET	1	Units after S/N Z207351 - Incl gasket
7-1	51425100200	SCREW, THROTTLE SET	2	
7-4	54425164200	STAY, ADJUST, CABLE	1	
7-5	53925120200	SWIVEL	1	
7-7	48925100200	RING, STOP	1	
7-10	55025100200	O-RING	1	
7-11	5992000W370	JET, MAIN, #37	1	
7-12	~ ~ ~	GASKET, PUMP	1	~ Included in 650.25124.900 Carb Kit (items not sold individually)
7-13	~ ~ ~	DIAPHRAGM, PUMP	1	
7-16	57825007200	SCREEN, INLET	1	
7-17	5752515380	BODY, PUMP	1	
7-18	~ ~ ~	GASKET, DIAPHRAGM	1	
7-19	~ ~ ~	DIAPHRAGM, METERING	1	
7-20	4762515120	COVER, DIAPHRAGM	1	
7-21	5482515120	SCREW, SET	4	
7-22	61425137200	ADJUSTER, CABLE	1	
7-23	99101060013	NUT, 6	1	
7-24	4310634C200	GASKET, CLEANER	1	
7-25	4422515180	PUMP, PRIMING	1	
7-26	44725108200	BULB, PRIMING	1	
7-41	5492516520	WASHER, THRUST	1	



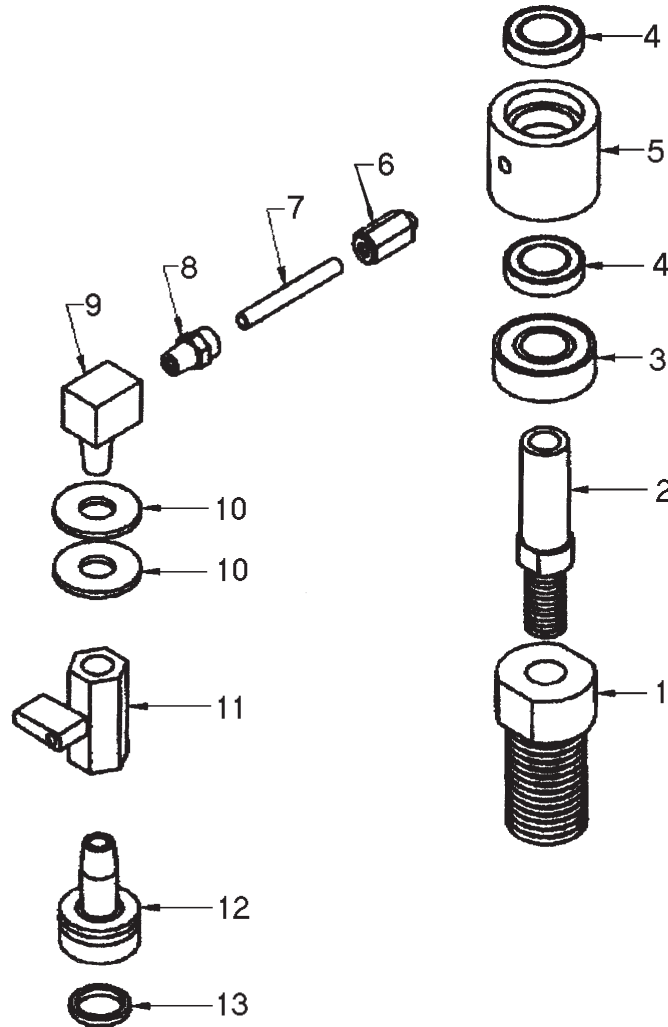
ITEM	PART NUMBER	DESCRIPTION	QTY	COMMENTS
8-1	0023218280	CASE,GEAR A	1	
8-2	0063210A80	CASE,GEAR,B	1	
8-3	2263212080	HOUSING,CLUTCH	1	
8-4	01232120200	GEAR,#2	1	
8-5	0163216920	GEAR,3	1	
8-6	06800300200	KEY,WOODRUFF,3X10X3.7	1	
8-11	99961600102	BEARING,BALL,#6001Z	1	
8-12	99961600115	BEARING,BALL,6001 C3	1	
8-13	99350012002	RING,STOP,C-12 EX	1	
8-14	0183216920	GEAR,4	1	
8-15	99961720221	BEARING,BALL,#7202B	1	
8-16	04032120201	WASHER,BEARING	1	
8-17	99961620202	BEARING,BALL,#6202Z	1	
8-18	99351035002	RING,IN,C-35,STOP	1	
8-19	06801006200	KEY,WOODRUFF,3X13X5	1	
8-20	0223218320	SHAFT,GEAR	1	
8-22	99023060301	BOLT,P,6X30	2	
8-23	99101060011	NUT,6	2	
8-24	99210060012	WASHER,S,6	4	
8-26	99414050181	SCREW,S,5X18	4	
8-41	99209350030	WASHER,WAVE,B.B,35	1	
8-44	30032250801	FITTING,GREASE	1	



ITEM	PART NUMBER	DESCRIPTION	QTY	COMMENTS
9-28	2583210A82	HANDLE,A	1	
9-29	1653313020	HANDLE,GRIP,A	1	
9-30	10132120201	LEVER,THROTTLE	1	
9-34	99011050251	SCREW,5X25	1	
9-35	99101050011	NUT,5	1	
9-36	19833130200	CLAMP,CORD	2	
9-37	99023060161	BOLT,6X16 PLUS	1	
9-38	99210060012	WASHER,S,6	1	
9-39	25932120810	HANDLE,B	1	
9-42	99210100012	WASHER,S,10	1	
9-45	1703219080	BUTTON,STOP	1	
9-53	1641003200	TUBE,PROTECTION,10X320	1	
9-63	1553210A200	HOLDER,CHUCK KEY	1	
9-71	2581165020	BUTTON,STOP	1	
9-72	99011030101	SCREW,3X10	1	
9-76	9253317620	DECAL,STOP BUTTON	1	
9-81	8850160180	WIRE,THROTTLE	1	
9-82	2653218280	HANDLE,BRACE	1	
9-83	8292000080	SPANNER,COMBI,13X19	1	



ITEM	PART NUMBER	DESCRIPTION	QTY	COMMENTS
10-1	9060160420	DECAL,TED-262HS	1	
10-3	95037900200	DECAL,PRO-FORCE A	1	
10-17	9203246620	DECAL,CAUTION	1	



ITEM	PART NUMBER	DESCRIPTION	QTY	COMMENTS
11-1	29974	ADAPTER	1	1 1/4" X 7 THREADS
11-2	29976	SHAFT	1	5/8" X 11 THREADS
11-3	29977	BEARING	1	
11-4	29978	SEAL	2	
11-5	29979	HOUSING	1	
11-6	29980	FITTING,PIPE,1/16	1	
11-7	29981	HOSE	1	
11-8	29982	FITTING,PIPE,1/4	1	
11-9	29983	FITTING,90 DEGREE	1	
11-10	29984	WASHER	2	
11-11	29985	VALVE	1	
11-12	29986	FITTING,GARDEN HOSE	1	
11-13	29987	WASHER,GARDEN HOSE	1	

## Free Manuals Download Website

<http://myh66.com>

<http://usermanuals.us>

<http://www.somanuals.com>

<http://www.4manuals.cc>

<http://www.manual-lib.com>

<http://www.404manual.com>

<http://www.luxmanual.com>

<http://aubethermostatmanual.com>

Golf course search by state

<http://golfingnear.com>

Email search by domain

<http://emailbydomain.com>

Auto manuals search

<http://auto.somanuals.com>

TV manuals search

<http://tv.somanuals.com>