

Tanaka

Parts Manual

Cut-off Saw

MODEL EHC-140

FIG. 1 ENGINE

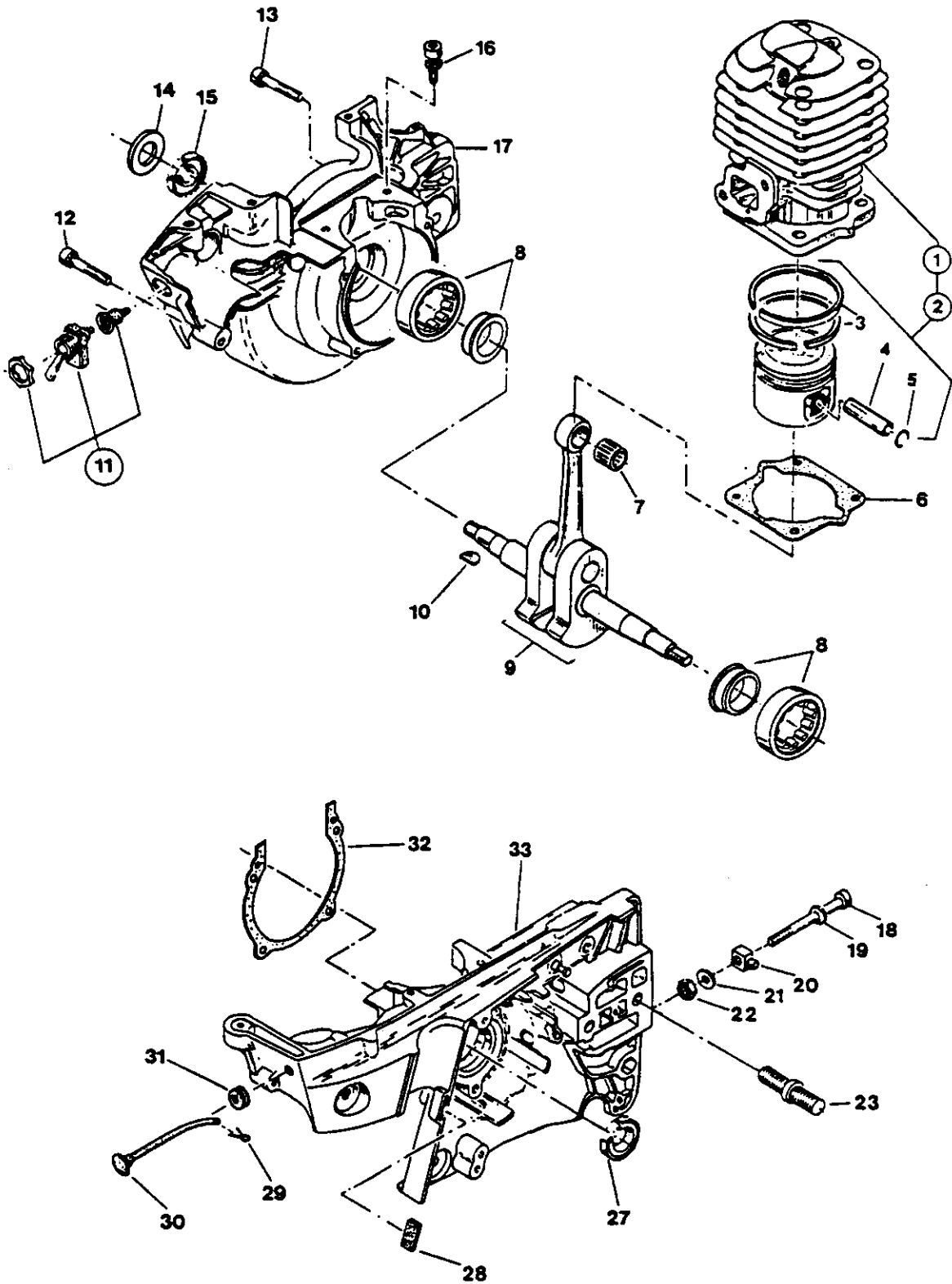


FIG.1 ENGINE

REF.NO	PART NUMBER	DESCRIPTION	QTY	SRL. NO.	REMARKS
1-001	031-130-004	CYLINDER / PISTON ASS'Y	1		
1-002	031-132-003	PISTON ASS'Y	1		
1-003	031-132-050	PISTON RING	2		
1-004	031-132-020	PISTON PIN	1		
1-005	119-132-060	CIRCLIP	2		
1-006	965-521-022	CYLINDER GASKET	1		
1-007	962-210-015	NEEDLE BEARING	1		
1-008	960-622-173	ROLLER BEARING	2		
1-009	031-120-000	CRANKSHAFT COMP.	1		
1-010	939-630-370	KEY	1		
1-011	957-605-112	SWITCH	1		
1-012	901-505-302	FILLISTER HEAD SCREW / 5X30	1		
1-013	905-505-305	FILLISTED SCREW / 5X30	4		
1-014	900-003-050	FELT RING	1		
1-015	962-900-054	RADIAL RING	1		
1-016	991-106-205	FILLISTER HEAD SCREW / 6X20	4		
1-017	031-111-022	CRANKCASE, MAG.SIDE	1		
1-018	965-551-051	FILLISTER HEAD SCREW / 6X70	1		
1-019	926-206-000	SPRING WASHER	1		
1-020	123-213-010	SQUARE NUT W/PIVOT	1		
1-021	924-306-400	DISK	1		
1-022	922-606-000	SAFETY NUT	1		
1-023	905-810-354	STUD BOLT	2		
1-027	962-900-051	RADIAL RING	1		
1-028	965-402-370	RUBBER BUFFER	1		
1-029	934-320-100	COTTER	1		
1-030	031-150-730	CHOKE LEVER	1		
1-031	965-401-011	RUBBER BUSH	1		
1-032	965-518-013	CRANKCASE GASKET	1		
1-033	031-111-000	CRANKCASE, CLUTCH SIDE	1		

FIG. 2 HANDLES / TANK

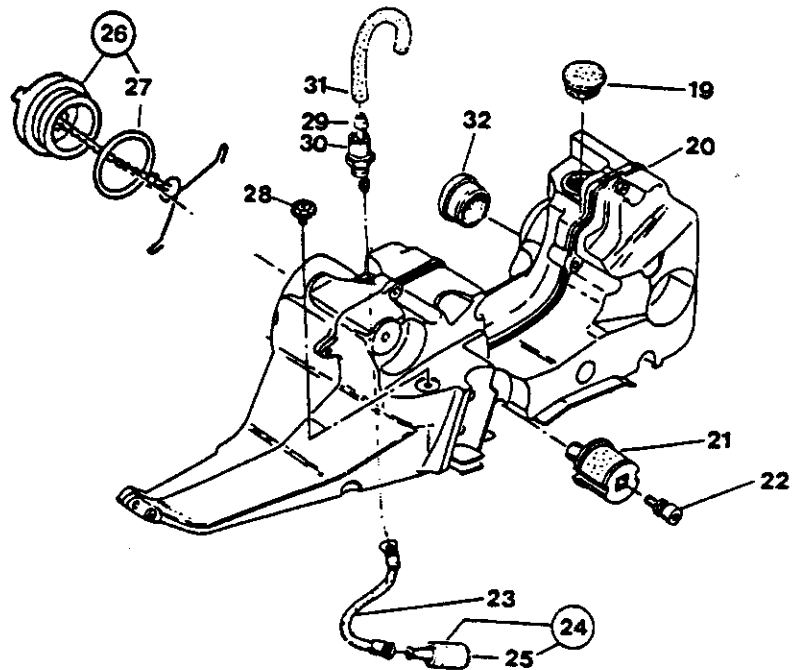
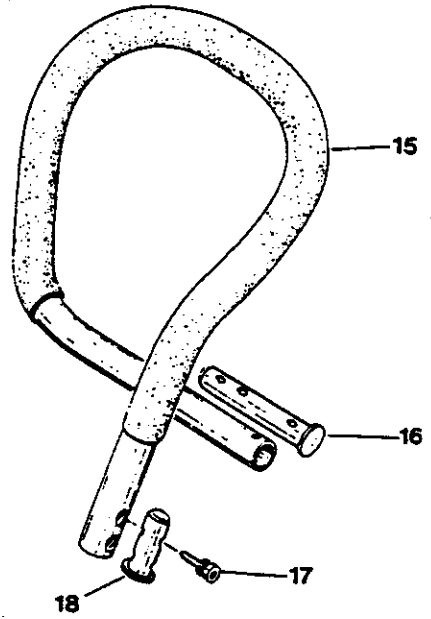
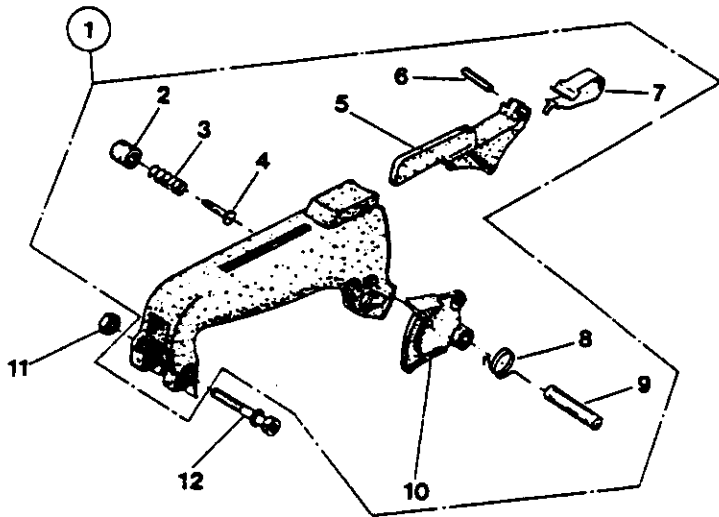


FIG.2 HANDLES TANK

REF.NO	PART NUMBER	DESCRIPTION	QTY	SRL. NO.	REMARKS
2-001	119-117-300	GRIP ASS'Y	1		
2-002	965-451-750	BUTTON	1		
2-003	965-551-160	PRESSURE SPRING	1		
2-004	965-551-150	STOP PIN	1		
2-005	119-117-030	CATCH LEVER	1		
2-006	935-940-240	CYLINDRICAL PIN	1		
2-007	119-117-051	SPRING	1		
2-008	119-117-041	SPRING	1		
2-009	935-950-400	CYLINDRICAL PIN	1		
2-010	119-117-021	THROTTLE LEVER	1		
2-011	920-205-000	HEXAGONAL NUT / 5MM	2		
2-012	994-005-307	FILLISTER HEAD SCREW / 5X30	2		
2-013	122-117-054	THROTTLE LINKAGE	1		
2-014	965-402-750	GASKET	1		
2-015	123-310-010	TUBULAR HANDLE	1		
2-016	144-310-072	STRENGTHENING PIECE	1		
2-017	991-106-205	FILLISTER HEAD SCREW / 6X20	4		
2-018	122-310-051	STRENGTHENING PIECE	1		
2-019	965-451-710	STOPPER	1		
2-020	123-114-040	TANK	1		
2-021	965-403-131	RUBBER BUFFER	5		
2-022	991-106-125	FILLISTER HEAD SCREW / 6X12	5		
2-023	965-402-402	SUCTION LINE	1		
2-024	963-601-260	FUEL FILTER ASS'Y	1		
2-025	963-601-240	FELT	1		
2-026	965-450-301	FUEL CAP ASS'Y	1		
2-027	963-232-045	O-RING	1		
2-028	965-402-360	RUBBER BUFFER	2		
2-029	965-451-191	AIR VALVE	1		
2-030	965-452-490	PLASTIC TUBE (16)	1		
2-031	965-452-485	FUEL LINE (185)	1		
2-032	965-451-560	STOPPER	1		

FIG.3 CLUTCH / SIDE COVER

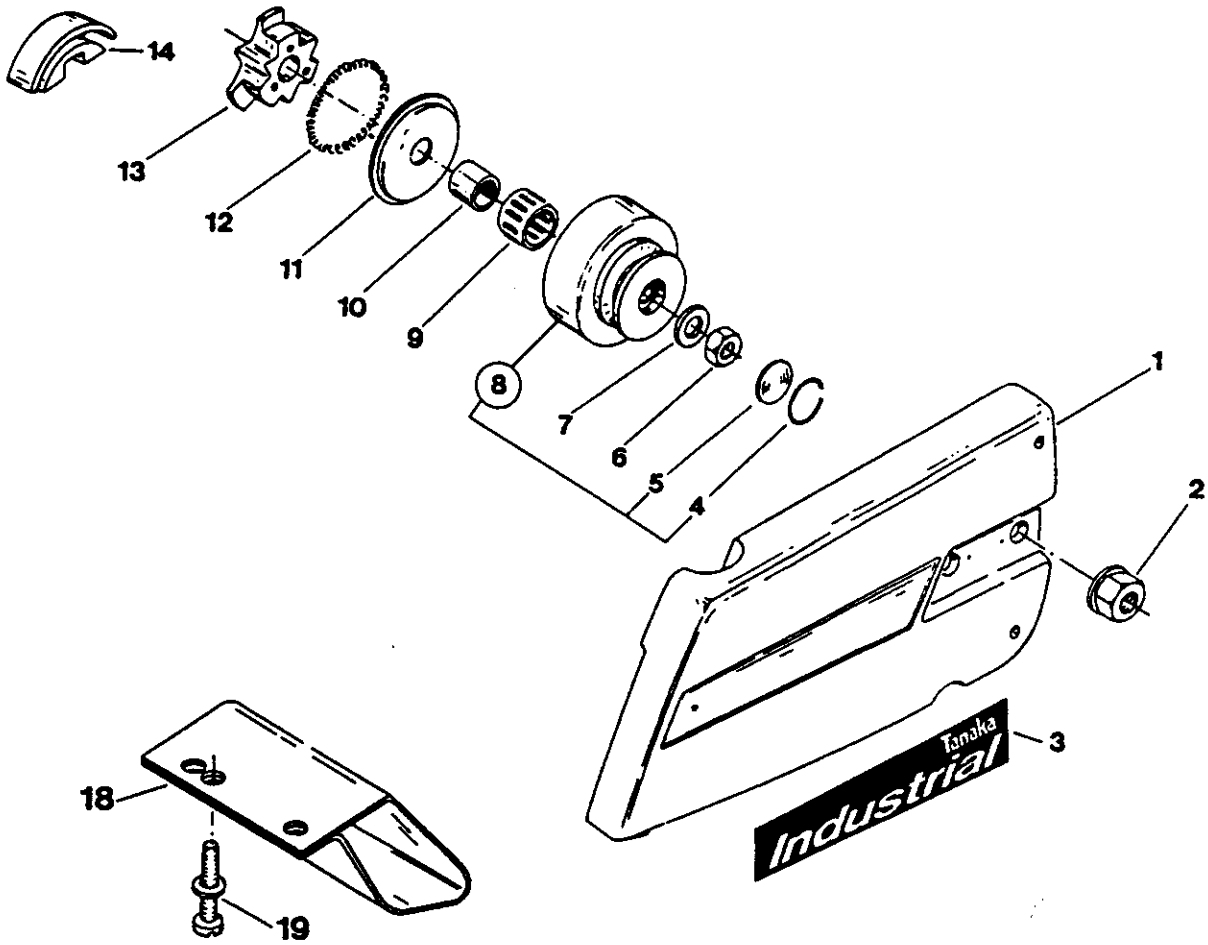


FIG.3 CLUTCH / SIDE COVER

REF.NO	PART NUMBER	DESCRIPTION	QTY	SRL. NO.	REMARKS
3-001	398-213-040	SPROCKET GUARD	1		
3-002	923-210-002	HEX NUT / 10MM	2		
3-003	980-113-500	DECAL	1		
3-004	929-228-120	SNAP RING	1		
3-005	965-551-230	COVER DISK	1		
3-006	920-310-043	HEX NUT, LEFT / 10X1	1		
3-007	924-500-044	DISK	1		
3-008	957-223-309	CLUTCH DRUM ASS'Y	1		
3-009	962-210-006	NEEDLE BEARING	1		
3-010	962-200-002	INNER RING	1		
3-011	122-182-030	GUIDE DISK	1		
3-012	122-184-011	CLUTCH SPRING	1		
3-013	122-182-011	CLUTCH HUB	1		
3-014	123-181-010	CLUTCH SHOE (SET)	1		
3-018	392-320-100	FOOT	1		
3-019	990-006-354	FILLISTER HEAD SCREW / 6X35	2		

FIG.4 RECOIL STARTER / IGNITION

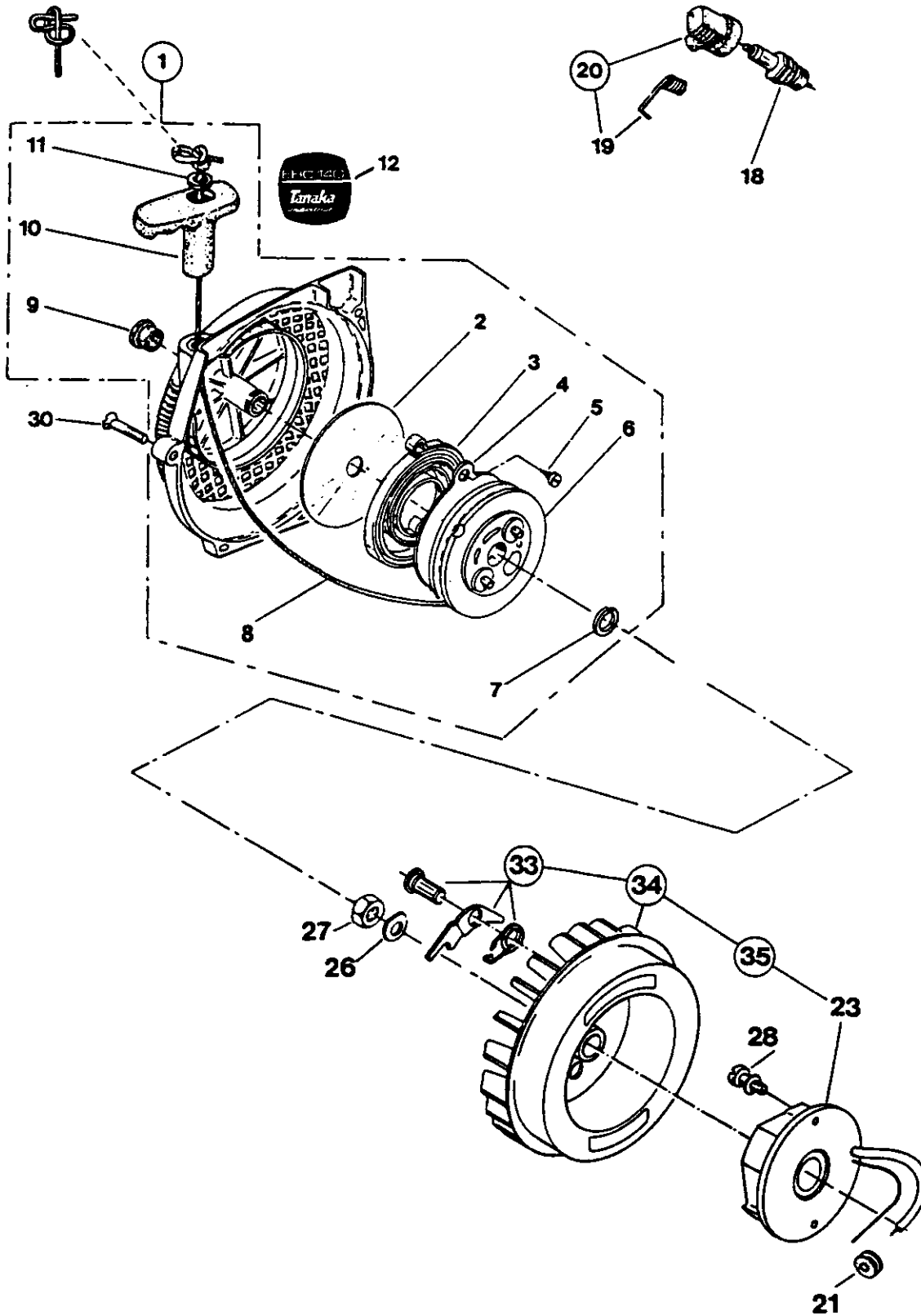


FIG.4 RECOIL STARTER / IGNITION

REF.NO	PART NUMBER	DESCRIPTION	QTY	SRL. NO.	REMARKS
4-001	123-112-100	RECOIL STARTER ASS'Y	1		
4-002	900-004-363	SPACER	1		
4-003	123-163-012	RECOIL SPRING	1		
4-004	123-163-020	SPRING COVER	1		
4-005	907-204-102	THREAD FORMING SCREW	1		
4-006	123-162-031	CABLE DRUM	1		
4-007	929-314-100	SNAP RING	1		
4-008	985-000-165	STARTER ROPE	1		
4-009	965-451-490	STOPPER	1		
4-010	965-402-470	STARTER HANDLE	1		
4-011	928-405-000	DISK	1		
4-012	980-113-400	DECAL	1		
4-018	965-603-014	SPARK PLUG	1		
4-019	965-604-230	CONTACT SPRING	1		
4-020	957-604-240	SPARK PLUG CAP ASS'Y	1		
4-021	965-401-012	RUBBER GROMMET	1		
4-023	119-142-200	MAG PLATE COMP.	1		
4-026	928-308-001	SPRING WASHER	1		
4-027	920-308-024	HEX NUT / 8X1	1		
4-028	991-104-159	FILLISTER HEAD SCREW / 4X15	2		
4-030	991-105-257	FILLISTER HEAD SCREW / 5X25	4		
4-033	031-166-010	STARTER RATCHET ASS'Y	2		
4-034	031-141-020	FLYWHEEL	1		
4-035	031-140-020	IGNITION ASS'Y	1		

FIG.5 CUTTER ASS'Y

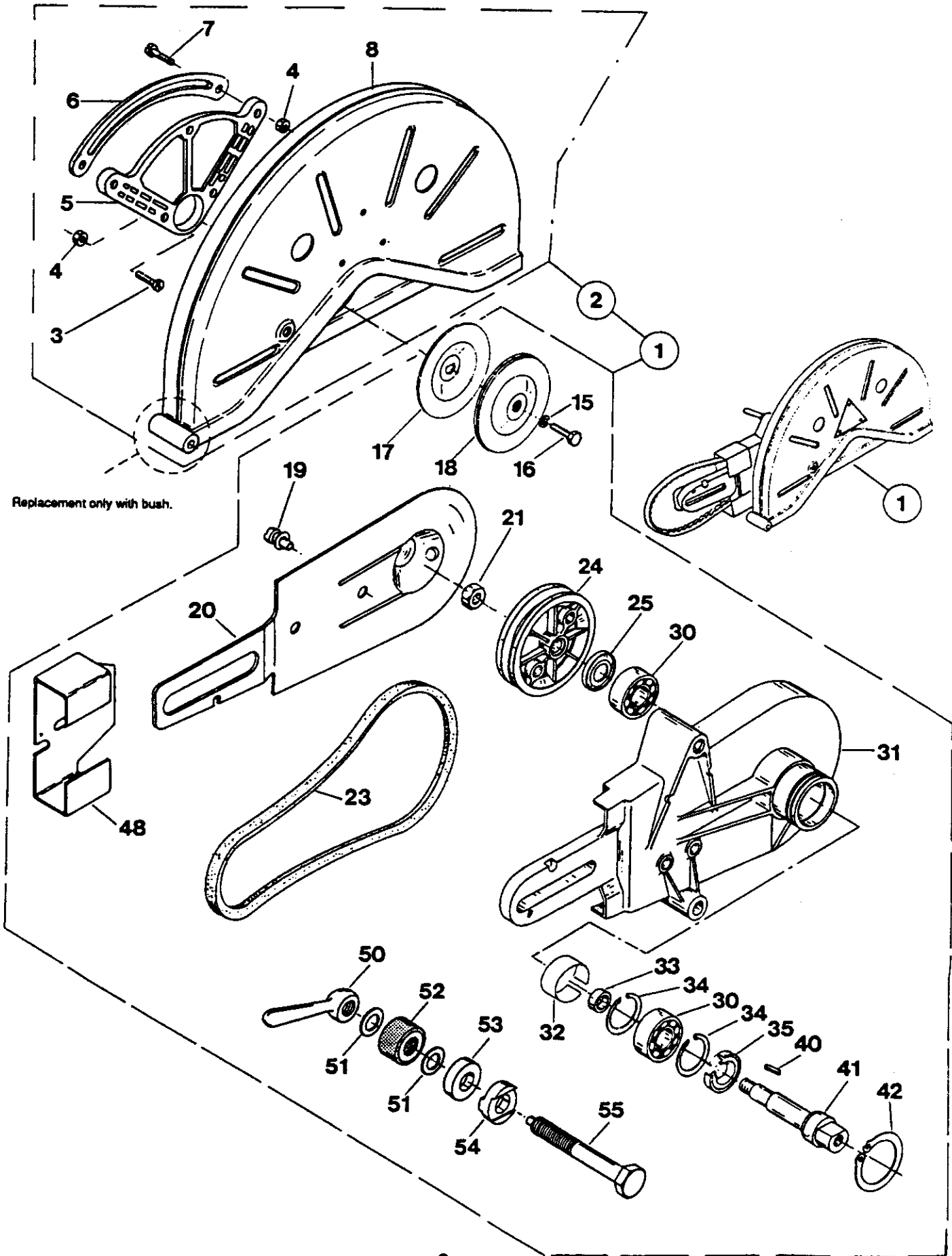


FIG.5 CUTTER ASS'Y

REF.NO	PART NUMBER	DESCRIPTION	QTY	SRL. NO.	REMARKS
5-001	392-000-011	CUTTING DEVICE ASS'Y	1		
5-002	392-341-300	BLADE COVER ASS'Y	1		
5-003	901-506-202	FILLISTER HEAD SCREW / 6X20	3		
5-004	920-406-000	SAFETY HEX NUT / 6MM	5		
5-005	395-341-173	SWIVEL SEGMENT	1		
5-006	392-341-040	CLAMP	1		
5-007	901-506-252	FILLISTER HEAD SCREW / 6X25	2		
5-008	392-341-110	BLADE COVER	1		
5-015	928-210-000	SPRING RING	1		
5-016	907-310-204	FILLISTER HEAD SCREW, LH	1		
5-017	392-228-350	PRESSURE DISK	1		
5-018	392-228-340	PRESSURE DISK	1		
5-019	900-208-202	HEX SCREW	2		
5-020	392-410-020	GUARD PLATE	1		
5-021	920-210-000	HEX NUT	1		
5-023	965-300-440	V-BELT	1		
5-024	392-221-011	PULLEY	1		
5-025	963-815-320	PACKING RING	1		
5-030	960-102-151	BALL BEARING	2		
5-031	392-211-110	GEAR HOUSING	1		
5-032	398-211-090	BUSHING	1		
5-033	900-005-009	SPACER	1		
5-034	929-235-150	SNAP RING	2		
5-035	962-900-036	RADIAL RING	1		
5-040	939-144-140	KEY	1		
5-041	398-228-013	SHAFT	1		
5-042	929-145-175	SNAP RING	1		
5-048	392-211-080	HAND GUARD	1		
5-050	392-341-080	HANDLE	1		
5-051	925-300-000	WASHER	2		
5-052	392-341-090	SPRING HOUSING	1		
5-053	392-341-031	WASHER	1		
5-054	392-341-050	WASHER	1		
5-055	392-341-070	HEX SCREW	1		

FIG.6 AIR CLEANER / MUFFLER

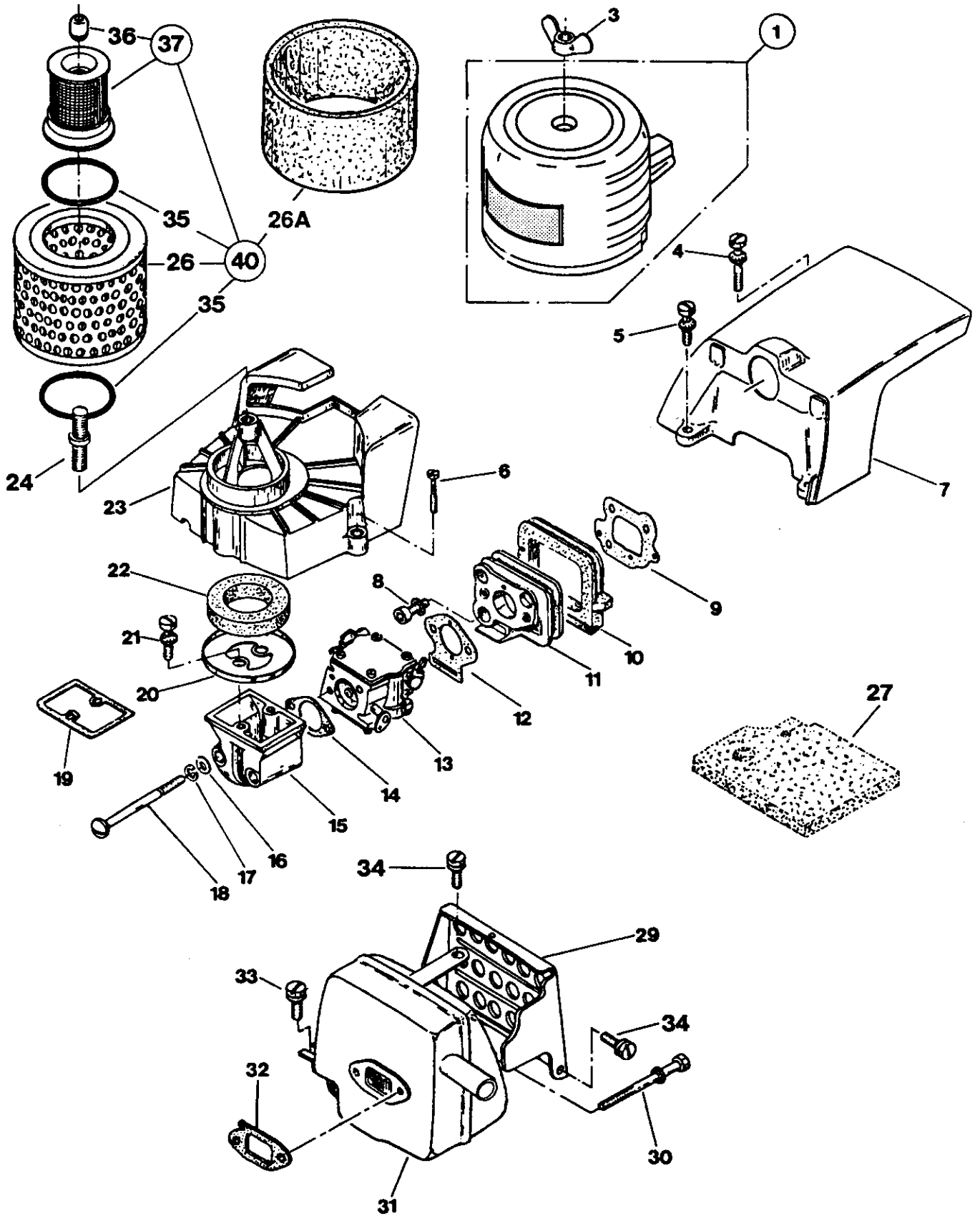


FIG.6 AIR CLEANER / MUFFLER

REF.NO	PART NUMBER	DESCRIPTION	QTY	SRL. NO.	REMARKS
6-001	392-118-050	FILTER COVER ASS'Y	1		
6-003	921-708-000	WING NUT	1		
6-004	990-005-405	FILLISTER HEAD SCREW / 5X40	1		
6-005	990-005-165	FILLISTER HEAD SCREW / 5X16	2		
6-006	122-118-170	FILLISTER HEAD SCREW / 5X25	2		
6-007	392-118-010	HOOD	1		
6-008	991-105-257	FILLISTER HEAD SCREW / 5X25	3		
6-009	965-518-110	GASKET	1		
6-010	133-131-041	GASKET	1		
6-011	133-131-051	INTERMEDIATE FLANGE	1		
6-012	965-518-030	GASKET	1		
6-013	122-151-620	CARBURETOR ASS'Y	1		
6-014	965-518-090	GASKET	1		
6-015	144-171-030	CONNECTING SLEEVE	1		
6-016	924-105-300	DISK	2		
6-017	926-105-001	SPRING RING	2		
6-018	905-105-804	FILLISTER HEAD SCREW / 5X80	2		
6-019	965-516-090	GASKET	1		
6-020	144-171-040	CONNECTING PLATE	1		
6-021	990-005-124	FILLISTER HEAD SCREW / 5X12	2		
6-022	965-402-960	GASKET	1		
6-023	123-118-051	HOOD	1		
6-024	905-808-554	STUD	1		
6-026	122-173-140	AIR FILTER	1		
6-026A	122-173-000	PRE-FILTER			
6-027	965-402-851	COVER, FOAM PLATE	1		
6-029	398-174-122	HEAT SHIELD	1		
6-030	994-006-656	FILLISTER HEAD SCREW / 6X65	2		
6-031	123-174-158	MUFFLER	1		
6-032	965-518-051	GASKET	1		
6-033	994-005-127	FILLISTER HEAD SCREW / 5X12	1		
6-034	991-105-107	FILLISTER HEAD SCREW / 5X10	2		
6-035	963-257-070	O RING	2		
6-036	965-401-022	RUBBER BUSHING	1		
6-037	001-173-020	INNER FILTER COMP.	1		
6-040	001-173-030	FILTER ASS'Y	1		

FIG.7 CARBURETOR

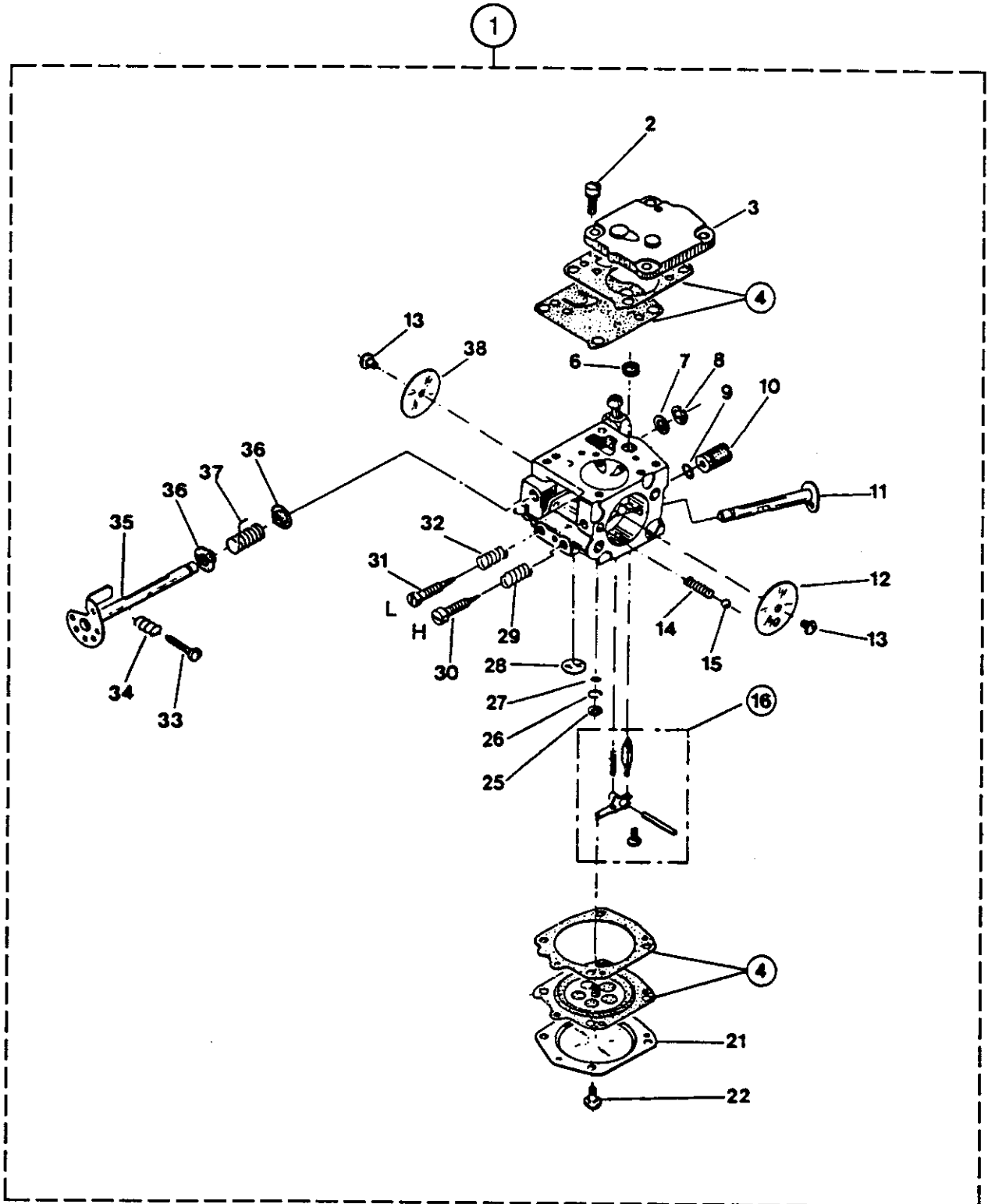


FIG.7 CARBURETOR

REF.NO	PART NUMBER	DESCRIPTION	QTY	SRL. NO.	REMARKS
7-001	122-151-620	CARBURETOR ASS'Y	1		
7-002	113-150-170	SCREW W/SPRING RING	4		
7-003	113-150-160	PUMP COVER	1		
7-004	957-150-100	GASKET/DIAPHRAGM KIT	1		
7-006	020-150-180	SCREEN	1		
7-007	122-151-400	DISK	1		
7-008	100-150-350	SAFETY WASHER	1		
7-009	115-150-560	SEAL WASHER	1		
7-010	122-151-551	GOVERNOR VALVE	1		
7-011	031-150-010	CHOKE SHAFT	1		
7-012	113-150-261	CHOKE SHUTTER	1		
7-013	113-150-370	SCREW/TOOTHED WASHER	2		
7-014	101-150-080	LOCKING SPRING	1		
7-015	113-150-380	LOCKING BALL	1		
7-016	957-150-010	NEEDLE VALVE ASS'Y	1		
7-021	122-151-121	DIAPHRAGM COVER	1		
7-022	001-150-140	SCREW	4		
7-025	113-150-030	COVER DISK	1		
7-026	107-150-240	SPRING RING	1		
7-027	107-150-230	MAIN NOZZLE SCREEN	1		
7-028	113-150-040	COVER DISK	1		
7-029	101-150-480	SPRING	1		
7-030	122-151-510	MAIN ADJ. SCREW	1		
7-031	122-151-470	IDLE ADJ. SCREW	1		
7-032	144-151-480	SPRING	1		
7-033	113-150-240	IDLE STOP SCREW	1		
7-034	113-150-230	SPRING	1		
7-035	122-151-302	THROTTLE SHAFT	1		
7-036	144-151-315	BUSHING	2		
7-037	144-151-310	SPRING	1		
7-038	144-151-320	THROTTLE SHUTTER	1		

FIG.8 TOOLS / ACCESSORIES

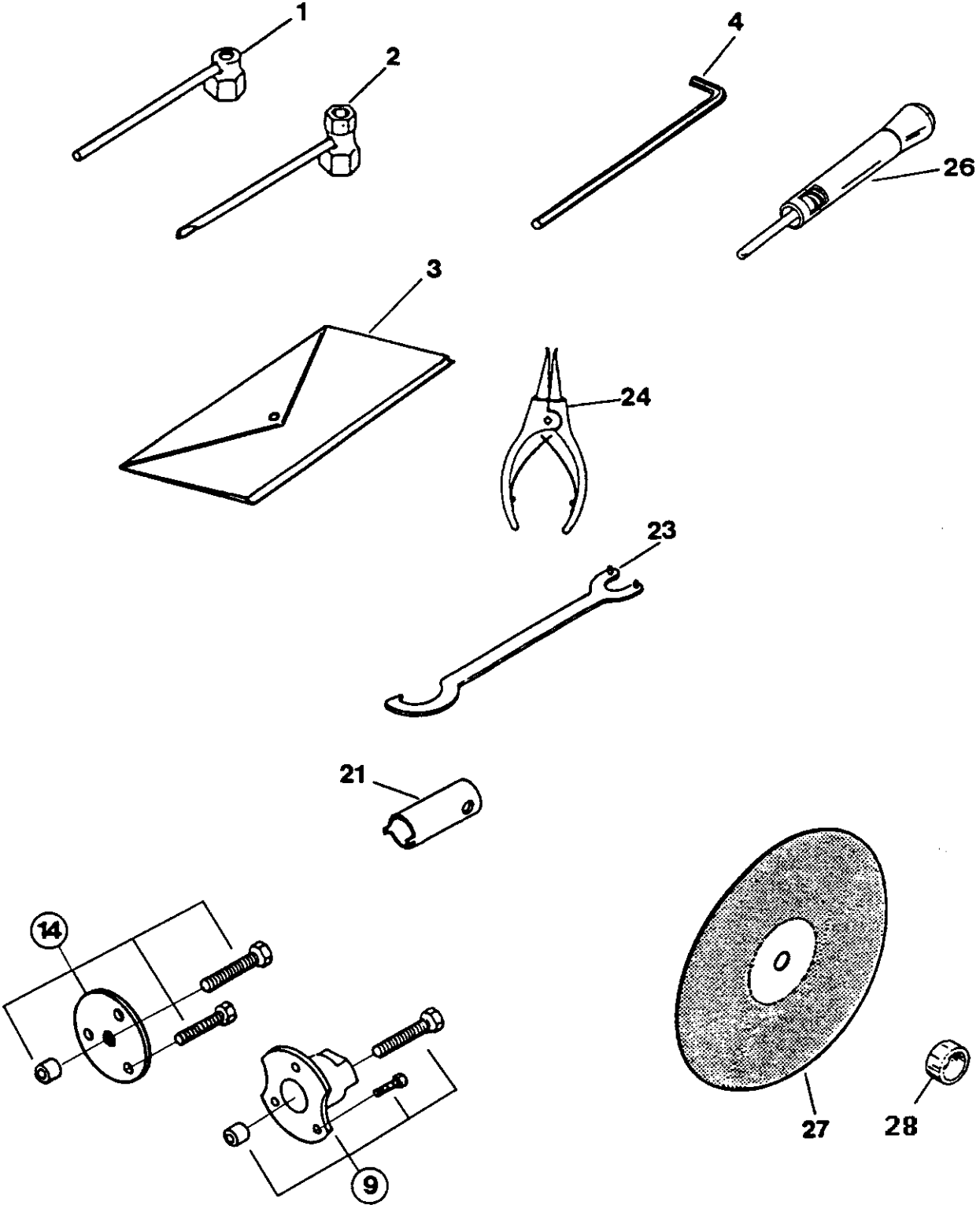


FIG.8 TOOLS / ACCESSORIES

REF.NO	PART NUMBER	DESCRIPTION	QTY	SRL. NO.	REMARKS
8-001	941-717-001	WRENCH	1		
8-002	941-717-191	UNIVERSAL WRENCH	1		
8-003	948-32310-200	PLASTIC BAG	1		
8-004	944-500-630	ALLEN WRENCH	1		
8-009	957-427-000	PULLER ASS'Y (FLYWHEEL)	1		
8-014	957-432-000	PULLER ASS'Y (CLUTCH)	1		
8-021	944-500-600	SOCKET WRENCH	1		
8-023	942-400-000	SPANNER WRENCH	1		
8-024	946-101-010	SNAP RING PLIERS	1		
8-026	950-100-500	TENSION CHECKER	1		
8-027	965-210-222	CUTTING BLADE (STONE)	1		
8-027	965-210-212	CUTTING BLADE (STEEL)	1		
8-028	392-228-040	BLADE ADAPTER (1")	1		
8-028	392-228-050	BLADE ADAPTER (7/8")	1		

Free Manuals Download Website

<http://myh66.com>

<http://usermanuals.us>

<http://www.somanuals.com>

<http://www.4manuals.cc>

<http://www.manual-lib.com>

<http://www.404manual.com>

<http://www.luxmanual.com>

<http://aubethermostatmanual.com>

Golf course search by state

<http://golfingnear.com>

Email search by domain

<http://emailbydomain.com>

Auto manuals search

<http://auto.somanuals.com>

TV manuals search

<http://tv.somanuals.com>