

Tanaka Illustrated Parts Manual

Model Number:

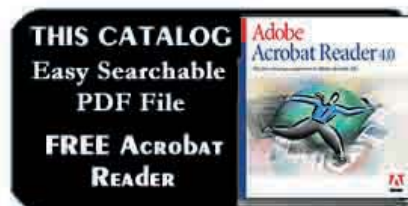
HTD-2522PF

22" DOUBLE-SIDED HEDGETRIMMER

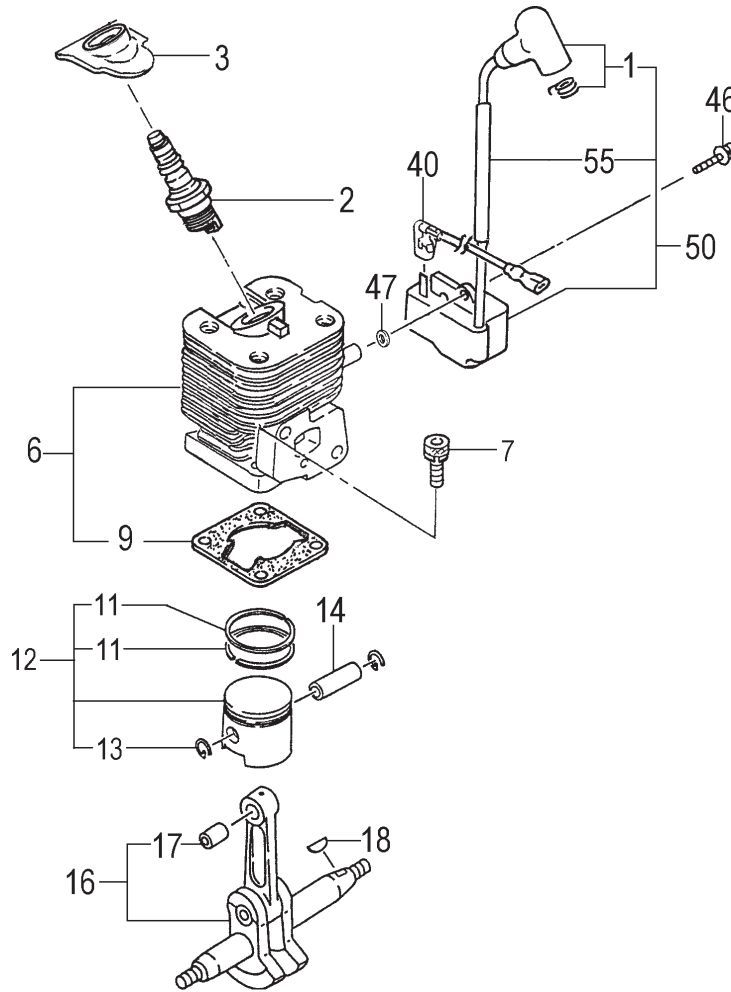
P/N 30216

Rev 000

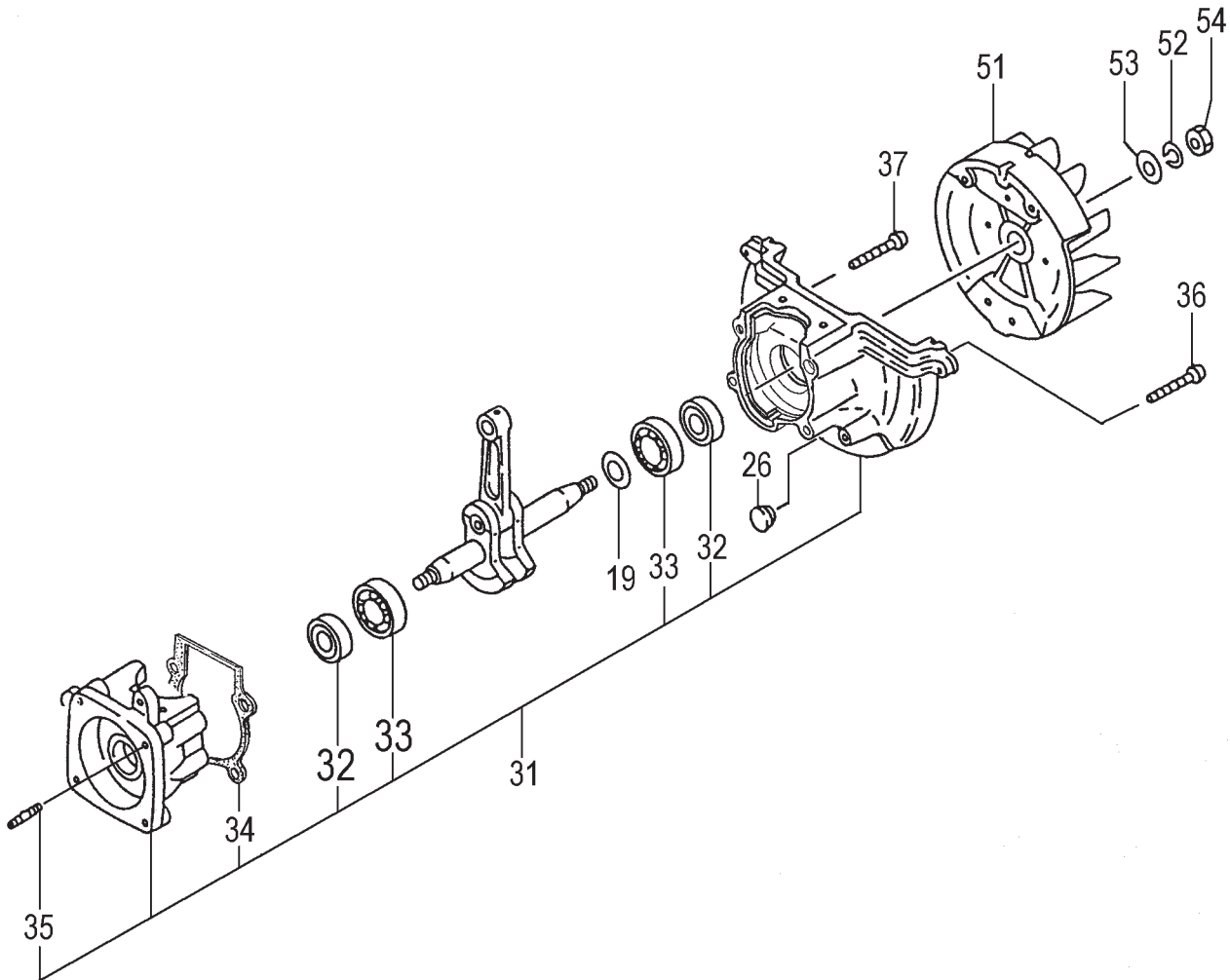
Date 10-24-07



Nikko Tanaka Engineering U.S.A.,Ltd. • 1028 4th Street SW, Bldg B • Auburn, WA 98001 • Phone: (253) 333-1200 • Fax: (253) 333-1212

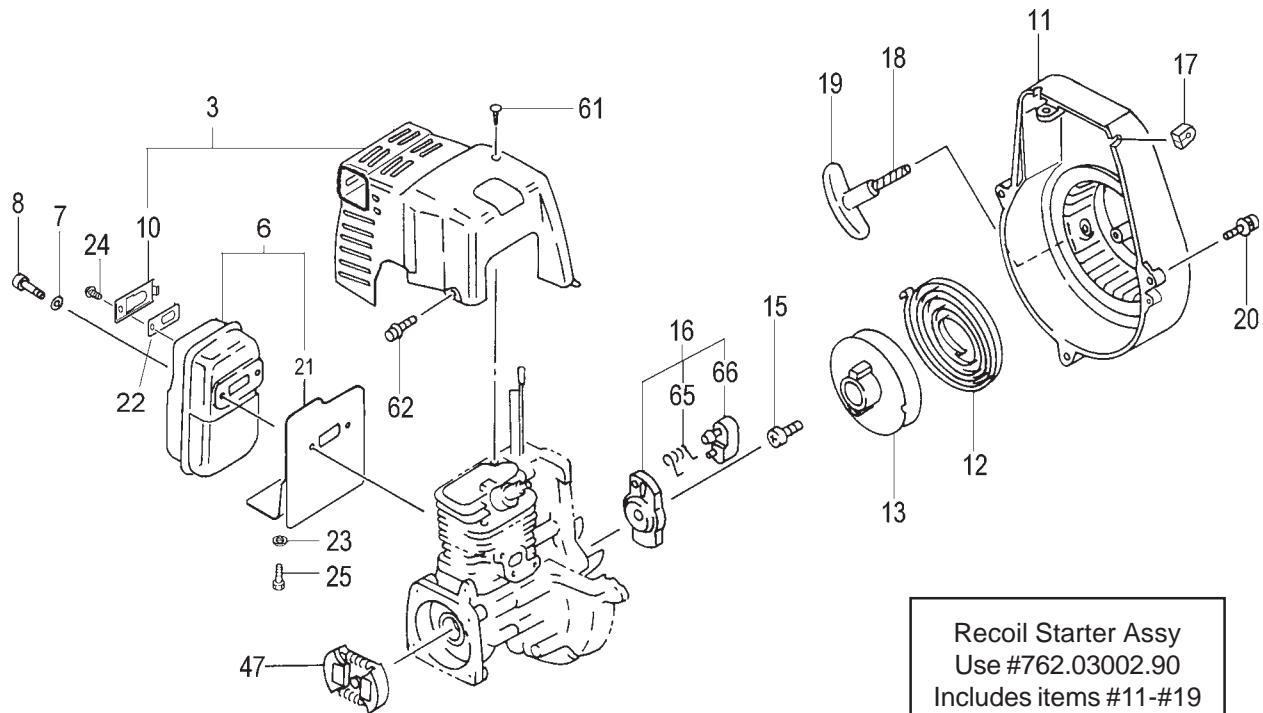


ITEM	PART NUMBER	DESCRIPTION	QTY	COMMENTS
1-1	1570168090	CAP, SPARK PLUG ASS'Y	1	
1-2	0181166021	PLUG, SPARK	1	
1-3	2550168020	COVER, SPARK PLUG, RUBBER	1	
1-6	0010300290	SET, CYLINDER	1	
1-7	99461050184	BOLT, HEX, 5X18, S	4	
1-9	0170300220	GASKET, CYLINDER	1	
1-11	04101601200	RING, PISTON	2	
1-12	0300168090	PISTON SET	1	
1-13	03900000201	CIRCLIP, PISTON PIN	2	
1-14	03701700200	PIN, PISTON	1	
1-16	0460300280	CRANKSHAFT	1	
1-17	99962091325	BEARING, NEEDLE, F-910	1	
1-18	06810100200	KEY, WOODRUFF, 3X13X4.5	1	
1-40	1780300280	CORD, B, 140M	1	
1-46	99464040184	BOLT, HEX, 4X18WS	2	
1-47	1820186A201	WASHER, SPECIAL	2	
1-50	1672174390	COIL, IGNITION ASS'Y	1	
1-55	2500168020	TUBE, INSULATOR	1	

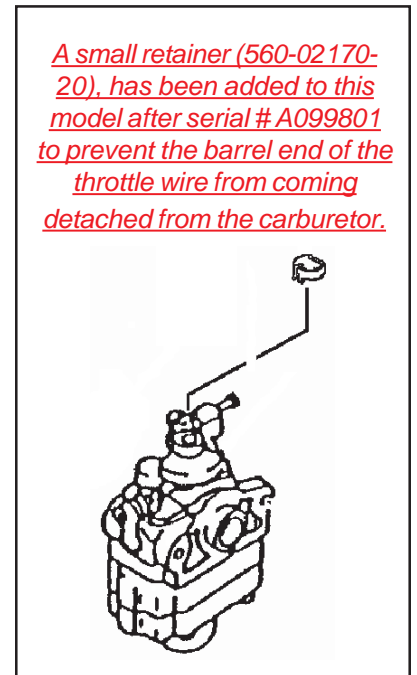
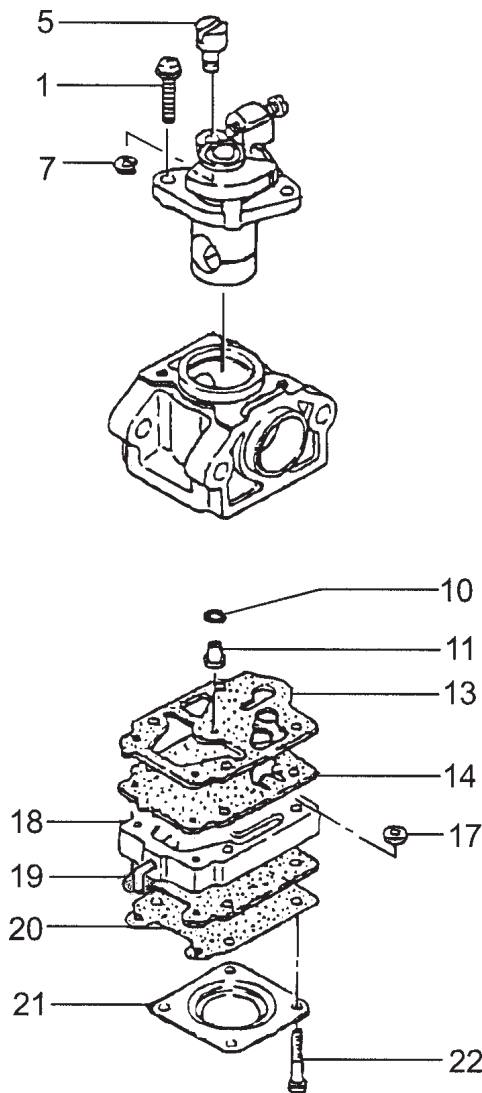


ITEM	PART NUMBER	DESCRIPTION	QTY	COMMENTS
2-19	33000200210	SHIM,12.2X19X.10	1	Shims are "as needed" to obtain correct side clearance
2-19	33000200220	SHIM,12.2X19X.15	1	
2-19	33000200230	SHIM,12.2X19X.20	1	
2-19	33000200240	SHIM,12.2X19X.30	1	
2-26	2030300220	GROMMET	1	
2-31	0720300290	CRANKCASE	1	Crankcase assy includes bearings, seals and gasket
2-32	99966122240	SEAL,OIL,#12227	2	
2-33	99961600100	BEARING,BALL,#6001	2	
2-34	0900300220	GASKET,CRANKCASE	1	
2-35	10002100200	BOLT,STUD,6X22	2	
2-36	99414050301	SCREW,5X30/S	2	
2-37	99414050451	SCREW,5X45/S	2	
2-51	1552174480	MAGNETO	1	
2-52	99210080012	WASHER,S,8	1	
2-53	99201080011	WASHER,8	1	
2-54	99101080011	NUT,8	1	

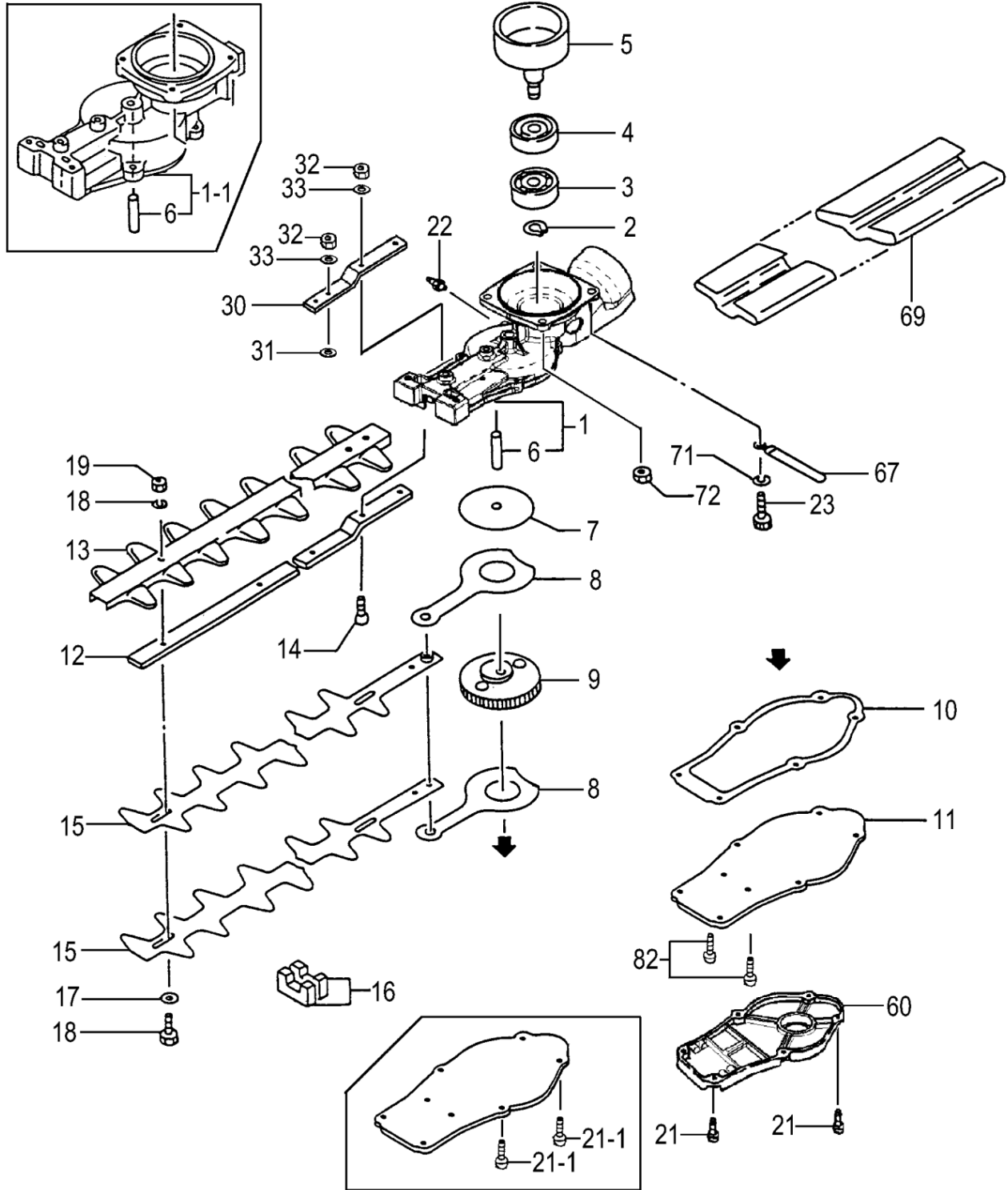
ITEM	PART NUMBER	DESCRIPTION	QTY	COMMENTS
3-25	4030300220	GASKET,INTAKE	1	
3-26	4040300290	SET,INSULATOR	1	
3-27	99416050241	SCREW 5x24WS	2	
3-30	4020300220	GASKET,CARBURETOR	1	
3-33	99967015000	O-RING,P15	1	
3-35	4230650081	BODY,CLEANER	1	
3-36	47006500200	COLLAR	2	
3-37	5280300220	VALVE,CHOKE	1	
3-38	99204080030	WASHER,8	1	
3-39	47601700200	BOARD,BLOW OVER CHECK	1	
3-40	99210050012	WASHER,S,5	2	
3-41	99011050602	SCREW,5X60	2	
3-43	4460650020	ELEMENT,CLEANER	1	
3-44	4520650091	COVER,CLEANER,W/BOLT	1	
3-45	3800637C200	BOLT,CLEANER COVER	1	
3-46	4550300290	SET,CARBURETOR	1	
3-50	2230700090	SHIELD,TUBE	1	
3-51	68000731201	CLIP 6.3	1	
3-52	6750404280	FILTER,FUEL	1	
3-53	5910300220	TANK,FUEL	1	
3-54	5950300290	CAP,TANK (BLACK/RED)	1	
3-55	65900801200	COLLAR	2	
3-58	99463050185	BOLT,HEX 5X18PS	2	
3-70	44225143800	PUMP,PRIMING ASS'Y	1	
3-77	7000250408	PIPE,FUEL,2.5x4x80	1	
3-78	7000250407	PIPE,FUEL,2.5x4x70	1	
3-79	53432710200	GROMMET,FUEL PIPE	1	



ITEM	PART NUMBER	DESCRIPTION	QTY	COMMENTS
4-3	7210300300	SET, TAIL PIPE, COVER	1	See Bulletin # PI 3121
4-6	7040300290	SET, MUFFLER	1	See Bulletin # PI 3121
4-7	99201060011	WASHER, 6	2	
4-8	99053060553	SCREW, HEX. HOLE	2	
4-10	7210300320	PIPE, TAIL	1	See Bulletin # PI 3121
4-11	1120300280	CASE, FAN	1	
4-12	78006097200	SPRING, RECOIL	1	
4-13	77406097200	PULLEY, STARTER	1	
4-15	8390201020	SCREW, SET	1	
4-16	79806500900	PULLEY, STARTER, ASS'Y	1	
4-17	20306000200	GROMMET, PRIMARY CORD	1	
4-18	78306097200	ROPE, STARTER	1	
4-19	78506410200	HANDLE, STARTER	1	
4-20	99415040162	SCREW, PS, 4X16	3	
4-21	7350300281	SHIELD, HEAT	1	
4-22	7320440020	ARRESTER, SPARK	1	
4-23	99201050011	WASHER, 5	1	
4-24	99435040081	SCREW, 4X8PS	1	
4-25	99414050081	SCREW, 5X8, S	1	
4-47	2770634F900	CLUTCH, ASS'Y	1	
4-61	99073045104	SCREW, TAPPING, 4.5X10	1	
4-62	99425040128	BOLT, PS, 4X12	2	
4-65	79006097200	SPRING, STARTER PAWL	1	
4-66	7880650020	PAWL, STARTER	1	



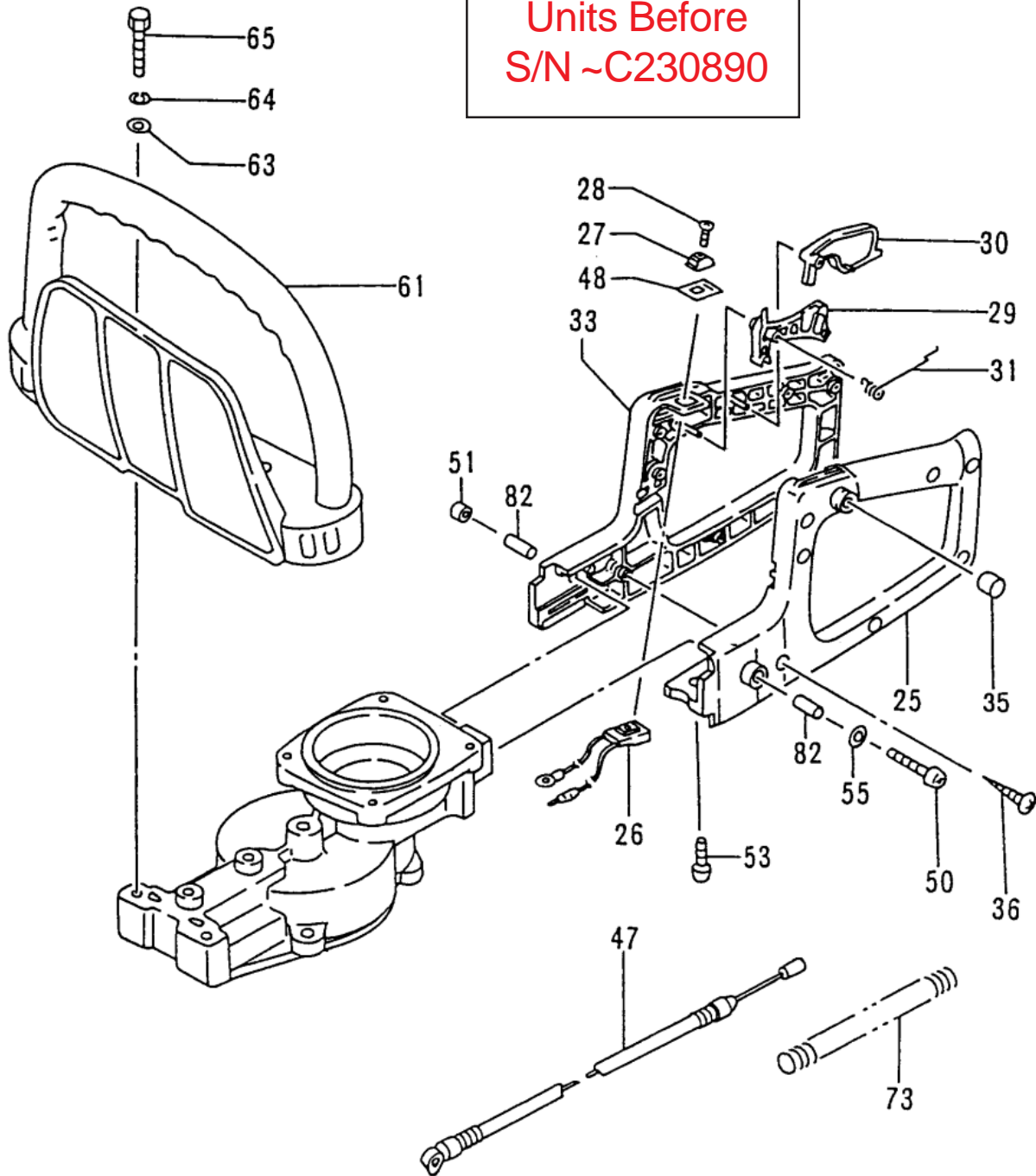
ITEM	PART NUMBER	DESCRIPTION	QTY	COMMENTS
5-0	4550300290	SET,CARBURETOR	1	Carburetor set includes gasket
5-1	54825140200	SCREW,THROTTLE SET	2	
5-5	53925120200	SWIVEL	1	Carburetor Repair Kit - 650-25140-900
5-7	48925100200	RING,STOP	1	Gasket / Diaphragm Kit - 652-25140-900
5-10	55025100200	O-RING	1	
5-11	5992001W34	JET,MAIN,#34	1	~ Contained in Carb Kits
5-13	~ ~ ~	GASKET,PUMP	1	
5-14	~ ~ ~	DIAPHRAGM,PUMP	1	
5-17	~ ~ ~	SCREEN,INLET	1	
5-18	5752522580	BODY,PUMP	1	
5-19	~ ~ ~	GASKET,DIAPHRAGM	1	
5-20	~ ~ ~	DIAPHRAGM,METERING	1	
5-21	47625004200	COVER,DIAPHRAGM	1	
5-22	54825101200	SCREW,SET	4	



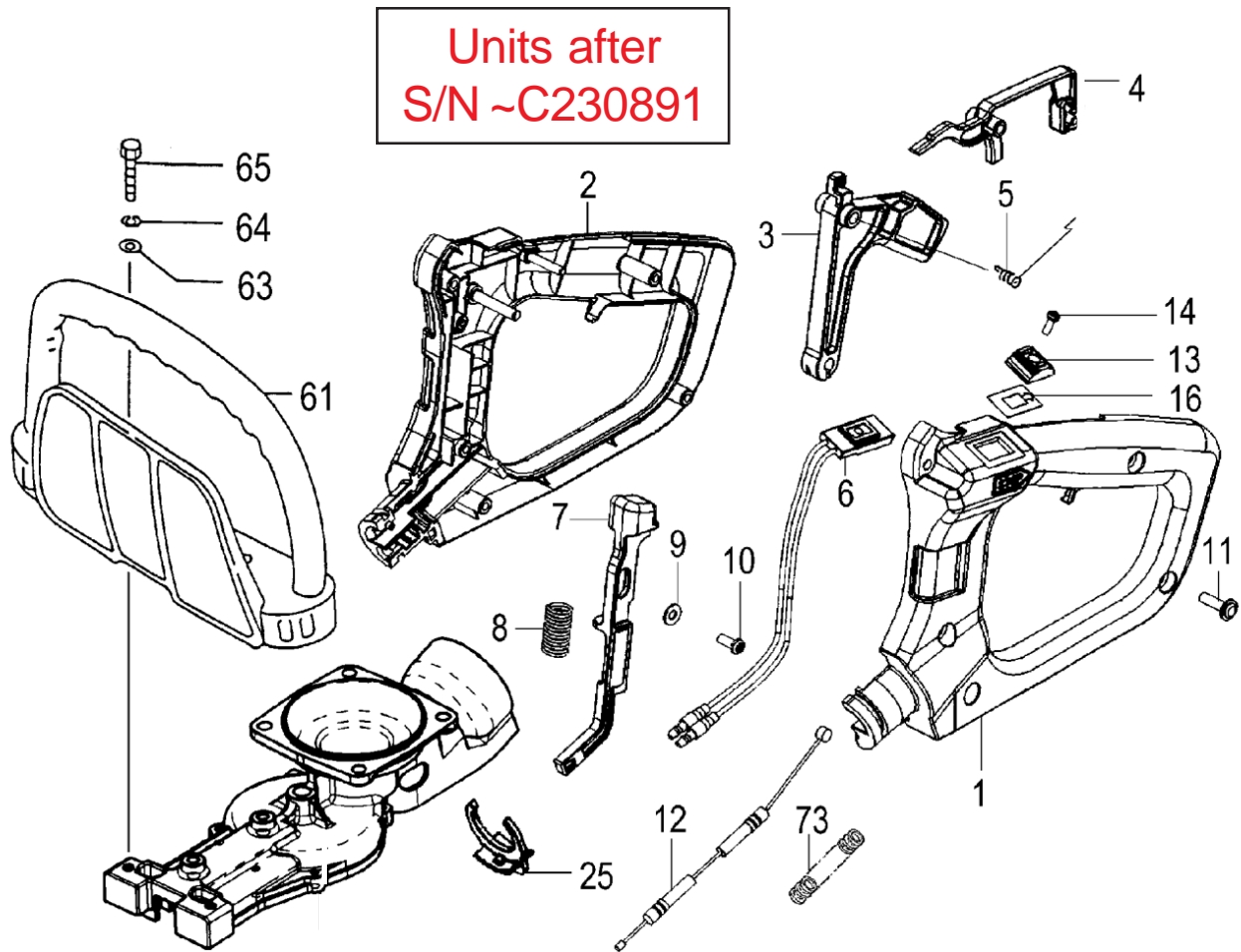
CLUTCH DRUM, GEAR CASE, BLADES • FIGURE 6

ITEM	PART NUMBER	DESCRIPTION	QTY	COMMENTS
6-1-1	3003317A80	CASE,GEAR	1	~C230890
6-1	3007305080	CASE,GEAR	1	C230891~
6-2	99350015002	RING,STOP,C-15 EX	1	
6-3	99961600200	BEARING,BALL,#6002	1	
6-4	99961600202	BEARING,BALL,#6002Z	1	
6-5	2883318080	DRUM,CLUTCH	1	
6-6	30533160200	SHAFT,GEAR	1	
6-7	07533160200	PLATE,GUIDE	1	
6-8	1013316022	ROD,CAM	2	
6-9	3073318020	GEAR,2	1	
6-10	30333160200	GASKET,GEAR CASE	1	
6-11	6303316020	COVER,GEAR CASE	1	
6-12	1223316021	BAR,24-5/8"OAL,STANDARD	1	~B001500
6-12	1223317820	BAR,24-5/8"OAL,METRIC	1	B001501~
6-13	1363316020	PLATE,PROTECTION	1	~B001500
6-14	99052060165	BOLT,HEX,6X16	2	~C230890
6-14	99052060255	BOLT,HEX FLUSH,6X25	2	C230891~
6-15	CB-21A	BLADE,A,DS,22"	2	
6-16	08533160200	SEAL,GREASE A	2	
6-17	12933202201	WASHER,7	4	
6-18	1243320221	BOLT,CUTTER FIXING,A	4	~B001500
6-18	1243228720	BOLT,FIXING,A,M6	4	B001501~
6-19	1233317A20	NUT,SPECIAL	4	~B001500
6-19	99182060001	NUT,FLANGE,6	4	From B001501 to C230890
6-19	40927	NUT,FLANGE,6	3	C230891~
6-21-1	99461040104	BOLT,HEX,4X10,S	8	~C230890
6-21	99461040124	BOLT,HEX,4X12	6	C230891~
6-22	30032250801	FITTING,GREASE	1	
6-23	99051060143	BOLT,HEX,6X14	2	~A091200
6-23	99461060184	BOLT,HEX,6x18S	2	A091201~
6-30	4623329521	PLATE,SUPPORT	1	C230891~
6-31	87132600200	WASHER,SPECIAL,B	1	C230891~
6-32	99187060001	NUT	3	C230891~
6-33	99201060011	WASHER,6	3	C230891~
6-60	3013316021	CASE,GEAR B	1	C230891~
6-67	19810246800	CLAMP,CORD	1	
6-69	1383316820	COVER,CUTTER,22"	1	
6-71	99210060012	WASHER,S,6	2	~A091200
6-72	99440060011	NUT,SPRING 6	2	
6-81	99201060011	WASHER,6	3	W177951~
6-81	99201060011	WASHER,6	3	~B001500
6-82	99461040104	BOLT,HEX,4X10,S	2	C230891~

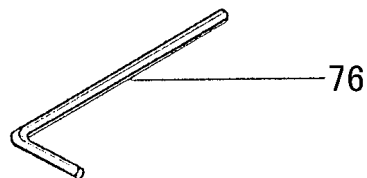
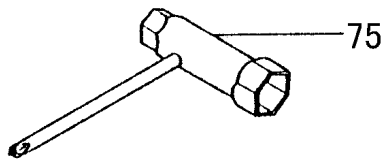
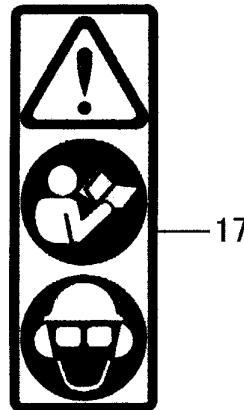
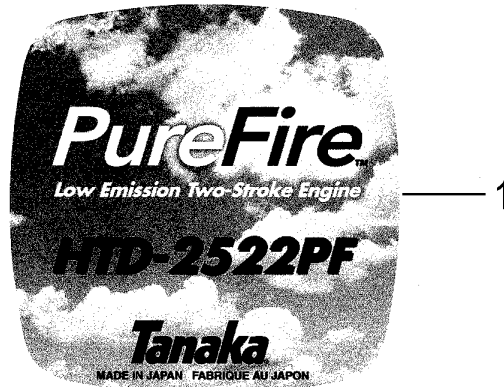
Units Before
S/N ~C230890



ITEM	PART NUMBER	DESCRIPTION	QTY	COMMENTS
7-25	05033150010	HANDLE,REAR,ASSY	1	Units before S/N C230890
7-26	1703317A80	SWITCH,STOP	1	
7-27	2581165020	BUTTON,STOP	1	
7-28	99431030101	R-B 99011030101 SCREW	1	
7-29	2303315020	LEVER,THROTTLE	1	
7-30	23133150200	LEVER,SAFETY	1	
7-31	23233150200	SPRING,THROTTLE LEVER	1	
7-33	05033150010	HANDLE,REAR,ASSY	1	
7-35	7653212020	CAP	1	
7-36	99311041812	SCREW,TAPPING,4X18	7	
7-47	8850651C80	WIRE,THROTTLE	1	
7-48	9253253020	DECAL,STOP BUTTON	1	
7-50	99414050451	SCREW,5X45/S	1	
7-51	99178050010	NUT,LOCK 5	1	
7-53	99415060181	SCREW,6X18PS	1	
7-55	99200050011	WASHER,SMALL,5	1	
7-61	2103316022	HANDLE,FRONT	1	
7-63	36832057200	WASHER,BRAKE SHAFT	2	
7-64	99210050062	WASHER,S,5	2	
7-65	99051050403	BOLT,HEX,5X40	2	
7-73	1640701400	TUBE,PROTECTION,7X140	1	
7-82	65900801200	COLLAR	2	



ITEM	PART NUMBER	DESCRIPTION	QTY	COMMENTS
8-1	0513329020	HANDLE,B	1	Units after S/N C230891
8-2	0503329020	HANDLE,A	1	
8-3	2303329020	LEVER,THROTTLE	1	
8-4	2313329020	LEVER,SAFETY	1	
8-5	23233160200	SPRING,THROTTLE LEVER	1	
8-6	1703325380	SWITCH,STOP	1	
8-7	2333329020	LEVER,LOCK	1	
8-8	2453329020	SPRING	1	
8-9	99201040011	WASHER,4	1	
8-10	99341040101	SCREW,TAPPING,4X10	1	
8-11	99072045164	SCREW,TAPPING,4.5X16	5	
8-12	8857311080	WIRE,THROTTLE	1	
8-13	2581165020	BUTTON,STOP	1	
8-14	99011030101	SCREW,3X10	1	
8-16	92533160200	DECAL,STOP BUTTON	1	
8-25	5053319620	CLIP	1	
8-61	2103316022	HANDLE,FRONT	1	
8-63	36832057200	WASHER,BRAKE SHAFT	2	
8-64	99210050062	WASHER,S,5	2	
8-65	99051050403	BOLT,HEX,5X40	2	
8-73	16407013010	TUBE,PROTECTION,7x130	1	



ITEM	PART NUMBER	DESCRIPTION	QTY	COMMENTS
9-1	9060300221	DECAL	1	
9-2	9203246620	DECAL, CAUTION	1	
9-75	03629331501	SPANNER, COMBI	1	
9-76	81320000200	WRENCH, HEX, 4	1	

Free Manuals Download Website

<http://myh66.com>

<http://usermanuals.us>

<http://www.somanuals.com>

<http://www.4manuals.cc>

<http://www.manual-lib.com>

<http://www.404manual.com>

<http://www.luxmanual.com>

<http://aubethermostatmanual.com>

Golf course search by state

<http://golfingnear.com>

Email search by domain

<http://emailbydomain.com>

Auto manuals search

<http://auto.somanuals.com>

TV manuals search

<http://tv.somanuals.com>