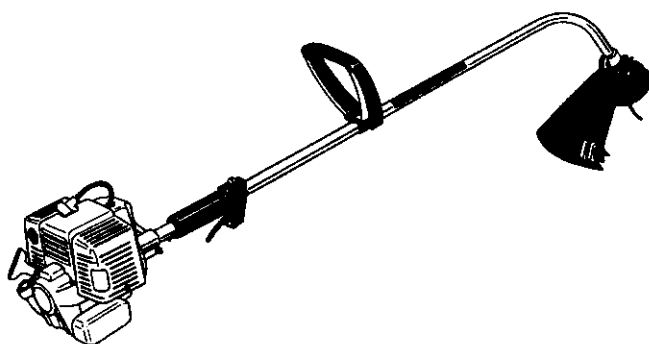


Tanaka

Parts Catalog



Line Trimmer

Model: TBC-2400

Part # 27299 10-26-97

TBC-2400

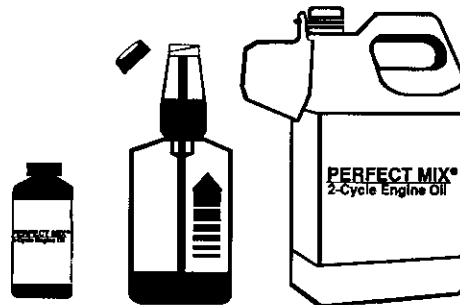
OPTIONS AND ACCESSORIES

NYLON LINE



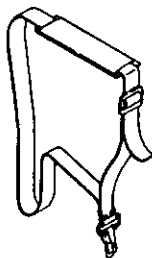
- 746156 .095, Box, 50 ft.
- 746157 .105, Box, 50 ft.
- 746160 .095, 1/2 lb. Box, 143 ft.
- 746161 .105, 1/2 lb. Box, 110 ft.
- 746165 .095, 1 lb. Box, 285 ft.
- 746166 .105, 1 lb. Box, 235 ft.
- 746169 .095, 3 lb. spool, 855 ft.
- 746170 .105, 3 lb. spool, 705 ft.
- 746173 .095, 5 lb. spool, 1425 ft.
- 746174 .105, 5 lb. spool, 1175 ft.

PERFECT MIX® 2-Cycle Engine Oil



- 700109 2.8 oz. Bottle, 1 Gallon Size (24*)
 - 700108 16 oz. Self-measuring Bottle (24*)
 - 700110 1 Gallon Jug Commercial Size (6*)
- * Case Quantity

SHOULDER STRAP



PSS-175

MANUALS / CATALOGS

- | | |
|-------|----------------|
| 27299 | Owner's Manual |
| 27298 | Parts Catalog |

SPECIAL TOOLS

- | | |
|----------------------------------|-----------------------------|
| 215432 Pressure Test Tool | 111124 T-27 Torx Drive 3.5" |
| 217720 Torx Drive Set | 323330 Ignition Tester |
| 222785 T-25 Torx Drive 3.5" | 91424 Tachometer |
| 009-29323-500 Piston Pin Remover | |

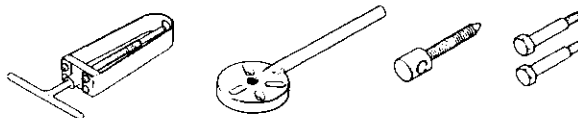


FIGURE 1

POWERHEAD ASSEMBLY

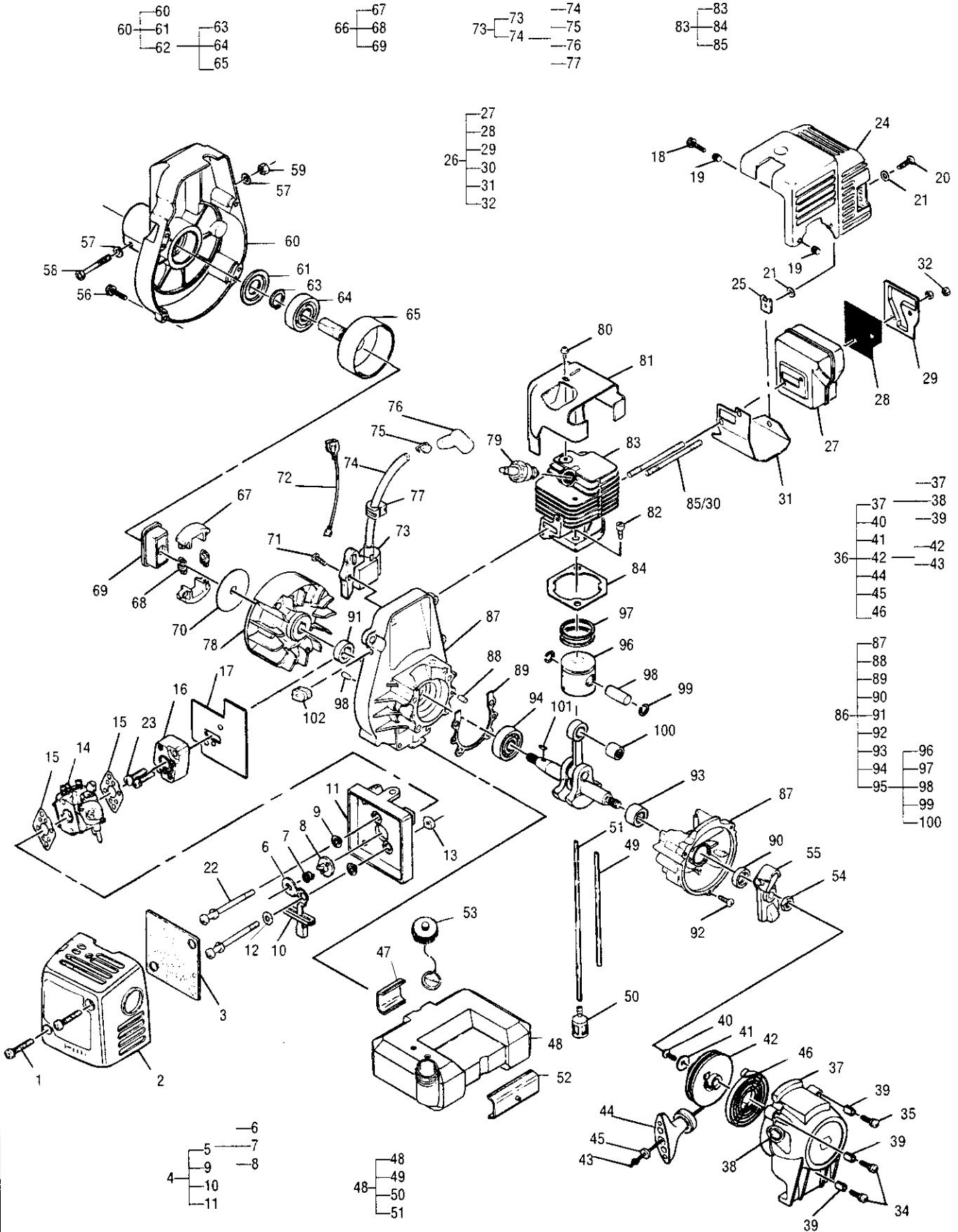


FIGURE 1

TBC-2400 PARTS LISTING

REF.	PART NO.	PART DESCRIPTION	Q	C	S	SERIAL NO	REMARKS
1	216027	SCREW,M5X28.5	2		C		
2	227694	COVER,AIR CLEANER	1		C		
3	227023	FILTER,AIR	1		C		
4	300069-01	CASE,AIR CLEANER ASS'Y	1		D		
5	223730	KIT,CHOKE,ASS'Y	1		D		
7	219016	SPRING,SHUTTER	1		C		
8	219076-01	SHUTTER,CHOKE PLATE	1		C		
9	227022	BUSHING	2		C		
10	215992	GROMMET	1		D		
12	216591	WASHER	1		C		
13	229524	NUT	2		C		
14	323702-04	CARBURETOR	1		C		See fig. 3
15	224148	GASKET,CARBURETOR	2		C		
16	323323-01	INSULATOR,CARBURETOR	1		C		
17	224315	GASKET,SHIELD INSULATOR	1		C		
18	219508	SCREW,MUFFLER SHIELD	2		C		
19	229121	BUSHING	4		C		
20	215874	SCREW,M4X9.5	1		D		
21	68497	WASHER	2		C		
22	111064	SCREW,M5x.8x48	2		C		
23	111063	SCREW,M5x.8x21.5	2		C		
24	227695	SHIELD,MUFFLER	1		C		
25	224350	NUT	1		C		
26	300632-01	KIT,MUFFLER	1		C		
27	301833-01	MUFFLER	1		C		
28	322018	SCREEN,SPARK ARRESTOR	1		C		
29	322017	PLATE,DEFLECTOR	1		C		
30	323419	STUD,MUFFLER	2		C		
31	323760	SHIELD,MUFFLER	1		B		
32	235642	NUT	2		C		
34	216022	SCREW,M4X21.4	2		C		
35	217669	SCREW,M4X25	1		C		
36	301355	STARTER,ASS'Y	1		C		
37	301356	HOUSING,STARTER	1		C		
39	219585	SPACER,STARTER HOUSING	3		C		
40	222800	SCREW,M4X9.5	1		D		
41	216590	WASHER,FLAT M4	1		C		
42	301252	DRUM,ROPE,ASS'Y	1		C		
43	216093	ROPE,STARTER	1		D		

* Indicates the part is included in a kit or assembly and is not available individually. Q=Quan. used
 C=Interchangeability S=Stocking code: A=Fast moving B=Med. fast C=Med. move D=Slow move
 E=N.L.A. F=Superseded or replaced by a new part

FIGURE 1 cont.

TBC-2400 PARTS LISTING

REF.	PART NO.	PART DESCRIPTION	Q	C	S	SERIAL NO.	REMARKS
44	216792	HANDLE,STARTER	1		D		
45	218941	WASHER,NYLON	1		D		
46	300474	SPRING STARTER	1		C		
47	217390	CUSHION,TANK	1		C		
48	222239	TANK,FUEL,ASS'Y	1		C		Includes hoses and filter
49	217264	HOSE,FUEL	1		C		
50	300869	FILTER,FUEL	1		B		
51	222238	HOSE,FUEL RETURN	1		C		
52	217382	CUSHION,TANK	1		C		
53	301376	KIT,FUEL CAP/DECAL	1		A		
54	216583	NUT,HEX	1		C		
55	225037	PAWL,STARTER,ASS'Y	1		C		
56	213177	SCREW	4		D		
57	216591	WASHER	2		C		
58	217158	SCREW	1		C		
59	217159	NUT,HEX	1		C		
60	222454	HOUSING,FAN	1		C		Includes drum and bearing
61	215534	PLATE,THRUST	1		C		
62	218065	DRUM,CLUTCH ASS'Y	1		C		
63	213186	RING,RETAINING	1		C		
64	213187	BEARING,BALL	1		D		
65	218063	DRUM,CLUTCH	1		C		
66	217554	CLUTCH,ASS'Y	1		C		
68	223770	SPRING,CLUTCH	2		C		
69	215536	ROTOR,CLUTCH	1		D		
70	215539	PLATE,SIDE	1		C		
71	216022	SCREW,M4X21.4	2		C		
72	219383	WIRE,SWITCH ASS'Y	1		C		
73	302138	IGNITION,ASS'Y	1		C		
74	223884	KIT,SPARK PLUG WIRE	1		C		
75	102556	CONNECTOR	1		C		
76	95266	BOOT	1		C		
77	215533-01	GROMMET,H/T LEAD	1		C		
78	222308	FLYWHEEL	1		C		
79	322208	PLUG,SPARK	1		C		
80	213178	SCREW,M5X8.5	1		D		
81	215540-01	COVER,CYLINDER	1		C		
82	217320	SCREW,M6X18	2		D		
83	225059-02	KIT,CYLINDER/GASKET	1		C		

* Indicates the part is included in a kit or assembly and is not available individually. Q=Quan. used
C=Interchangeability S=Stocking code: A=Fast moving B=Med. fast C=Med. move D=Slow move
E=N.L.A. F=Superseded or replaced by a new part

REF.	PART NO.	PART DESCRIPTION	Q	C	S	SERIAL NO.	REMARKS
84	323716	GASKET,CYLINDER	1		B		
85	323419	STUD,MUFFLER	2		C		
86	302150	KIT,CRANK CASE,SHAFT,PISTON	1		D		
87	302026	CRANKCASE,ASS'Y	1		C		
88	213191	PIN	4		D		
89	215545	GASKET,CRANKCASE	1		D		
90	83859	SEAL,OIL	1		C		
91	323678-00	SEAL	1		C		
92	216027	SCREW,M5X28.5	4		C		
93	213282	BEARING,ROLLER	1		C		
94	216143	BEARING,BALL	1		C		
95	301317-01	KIT,PISTON	1		C		
97	323678-00	RING,PISTON	2		C		
98	223589	PIN,WRIST	1		C		
99	111026	RING,SNAP	2		D		
100	323930	BEARING,NEEDLE	1		D		
101	102164	KEY,FLYWHEEL	1		C		
102	215541	GROMMET	1		D		

* Indicates the part is included in a kit or assembly and is not available individually. Q=Quan. used
 C=Interchangeability S=Stocking code: A-Fast moving B=Med. fast C=Med. move D=Slow move
 E=N.L.A. F=Superceded or replaced by a new part

FIGURE 2

SHAFT/SHIELD/CUTTER ASSEMBLY

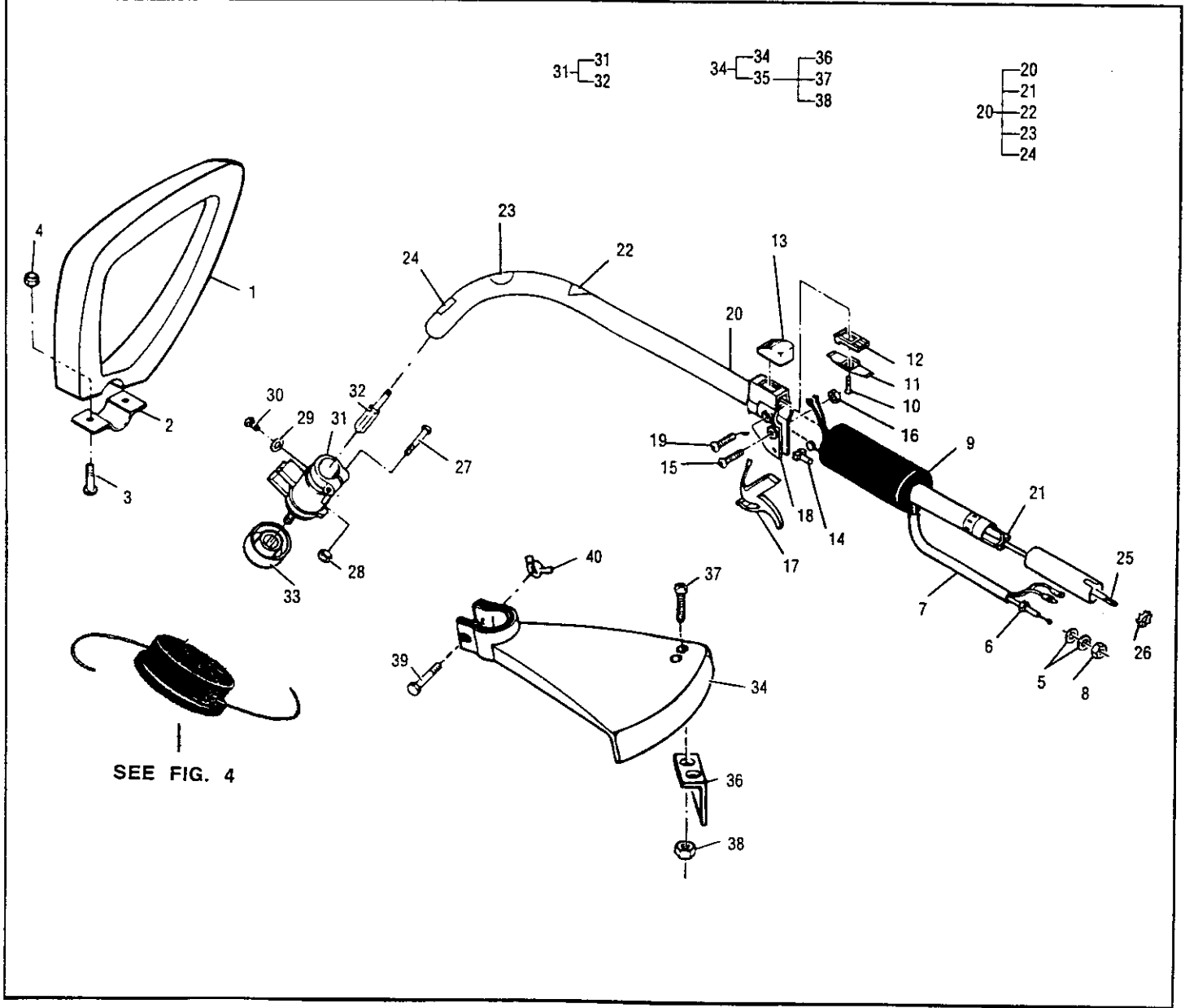


FIGURE 2

TBC-2400 PARTS LISTING

REF.	PART NO.	PART DESCRIPTION	Q	C	S	SERIAL NO	REMARKS
1	217444	HANDLE,DELTA	1		C		
2	217442	CLAMP,HANDLE	1		C		
3	120041	SCREW,HEX,M5X.8X22	1		D		
4	217159	NUT,HEX	2		C		
5	216596	WASHER	2		C		
6	217159	NUT,HEX	1		C		
7	215306	HARNESS,WIRE/THROTTLE WIRE	1		C		
8	217403	NUT	1		C		
9	322141	GRIP	1		C		
10	110706	SCREW	1		C		
11	215320	CONTACT,SWITCH	1		C		
12	215319	BASE,STOP SWITCH	1		C		
13	68846	BUTTON,STOP SWITCH	1		C		
14	215323	GUIDE	1		C		
15	216027	SCREW,M5X28.5	1		C		
16	217403	NUT	1		C		
17	300361	LEVER,THROTTLE	1		C		
18	222794	HOUSING,TRIGGER	1		C		
19	223200	SCREW	1		C		
20	300421	HOUSING,ASS'Y	1		C		
21	217367	SLEEVE	1		C		
22	223407	DECAL,EYE/EAR COVER	1		D		
23	211214	DECAL,WARNING	1		D		
24	219030	DECAL,WARNING S/T SHAFT	1		D		
25	302180	DRIVE, ASSY W/ CLIPS	1		D		
26	223412	CLIP,SPRING EXTERNAL	2		D		
27	217937	SCREW	1		C		
28	218315	NUT	1		C		
29	217672	WASHER,FLAT,M4	1		D		
30	215874	SCREW,M4X9.5	1		D		
31	219583	HOUSING,SPINDLE ASS'Y	1		C		
32	217477	COUPLING	1		D		
33	218094	COLLAR	1		C		
34	301082	KIT,GRASS SHIELD	1		C		
35	300626	KIT,KNIFE	1		C		
36	224497-01	CUTTER	1		C		
37	217935	SCREW	2		C		
38	216682	NUT	2		C		
39	216595	SCREW	1		C		
40	111102	NUT,WING	1		C		

* Indicates the part is included in a kit or assembly and is not available individually. Q=Quan. used
C=Interchangeability S=Stocking code: A=Fast moving B=Med. fast C=Med. move D=Slow move
E=N.L.A. F=Superseded or replaced by a new part

FIGURE 3

CARBURETOR ASSEMBLY

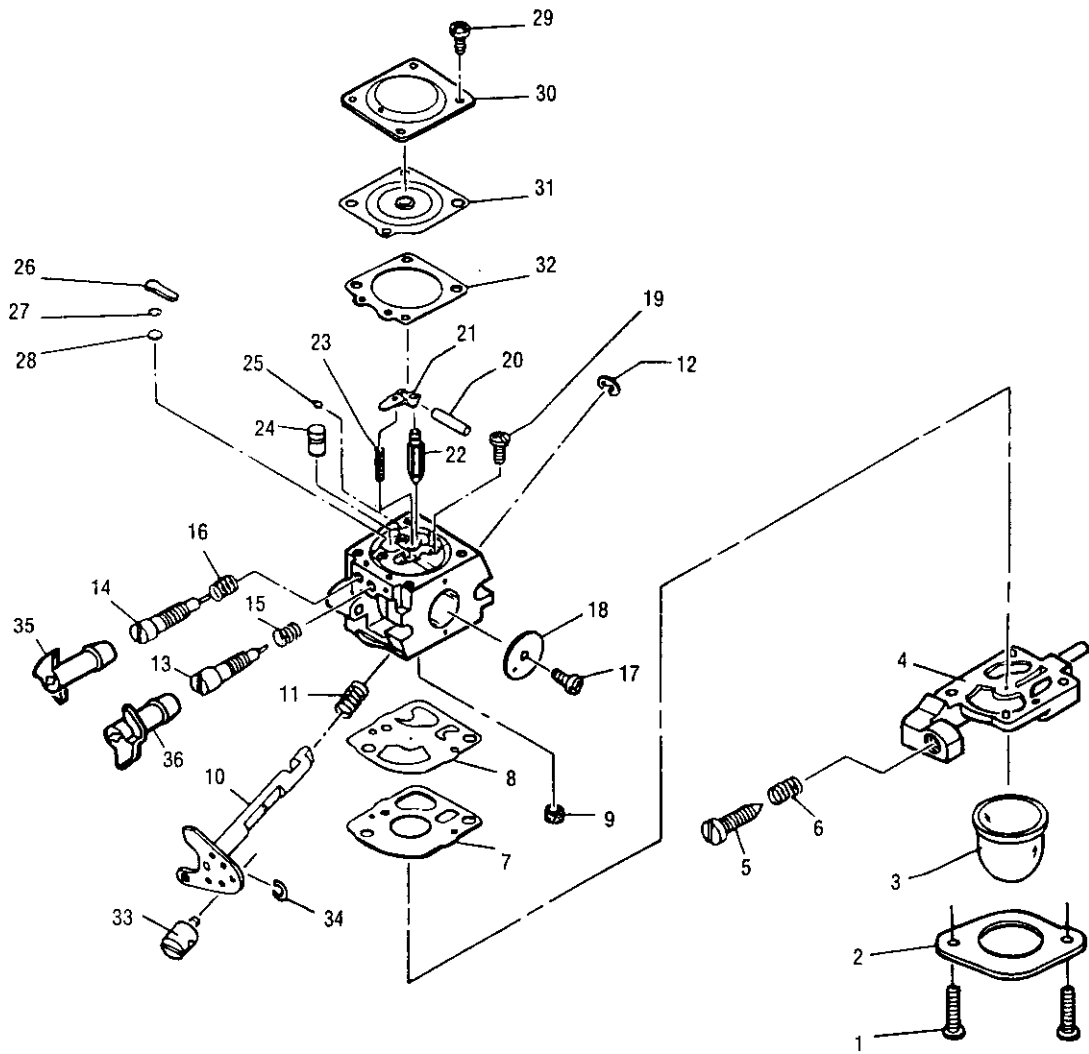


FIGURE 3

TBC-2400 PARTS LISTING

REF.	PART NO.	PART DESCRIPTION	Q	C	S	SERIAL NO.	REMARKS
0	323702-04	CARBURETOR, ASS'Y	1		C		
1	---	SCREW, PUMP COVER	2				
2	---	COVER, PRIMER PUMP	1				
3	223077	BULB, PRIMER	1		C		(1) Carb. Repair Kit
4	---	COVER, FUEL PUMP, ASS'Y	1		C		324013
5	---	SCREW, IDLE ADJ.	1				
6	---	SPRING, IDLE SCREW	1				(2) Carb. Gasket/Diaphragm Kit
7	---	(1)(2) GASKET, FUEL PUMP	1				324009
8	---	(1)(2) DIAPHRAGM, FUEL PUMP	1				
9	---	(1) SCREEN, FUEL PUMP INLET	1				(3) Swivel-Carb Kit
10	---	SHAFT ASS'Y, THROTTLE	1				224466
11	---	(1) SPRING, THROTTLE RETURN	1				
12	---	RING, SHAFT RETAINER	1				
13	---	(1) NEEDLE, IDLE	1				
14	---	(1) NEEDLE, HIGH SPEED	1				
15	---	(1) SPRING, IDLE NEEDLE	1				
16	---	(1) SPRING, HI-SPEED NEEDLE	1				
17	---	(1) SCREW, VALVE	1				
18	---	VALVE, THROTTLE	1				
19	---	(1) SCREW, METERING LEV. PIN	1				
20	---	(1) PIN, METERING LEVER	1				
21	---	(1) LEVER, METERING	1				
22	---	(1) VALVE, INLET NEEDLE	1				
23	---	(1) SPRING, METERING LEVER	1				
24	---	SEAT ASSEMBLY, CHECK VALVE	1				
25	---	(1) PLUG, WELCH 5/16	1				
26	---	(1) PLUG, WELCH 1/4	1				
27	---	(1) RING, SCREEN RETAINER	1				
28	---	SCREEN, CHECK VALVE	1				
29	---	(1) SCREW, METERING COVER	4				
30	---	COVER, METERING COVER	1				
31	---	(1)(2) DIAPHRAGM ASS'Y, METER	1				
32	---	(1)(2) GASKET METERING DIAP.	1				
33	---	(3) SWIVEL	1				
34	---	(3) CLIP	1				
35	323601	CAP, LIMITER, HI	1				
36	323602	CAP, LIMITER, LO	2				

(1) (2) Indicates the part is included in a kit or assembly and is not available individually. Q=Quan. used
 C=Interchangeability S=Stocking code: A=Fast moving B=Med. fast move C=Med. move D=slow move E=N.L.A.
 F=Superceded or replaced by a new part.

FIGURE 4 NYLON LINE HEAD

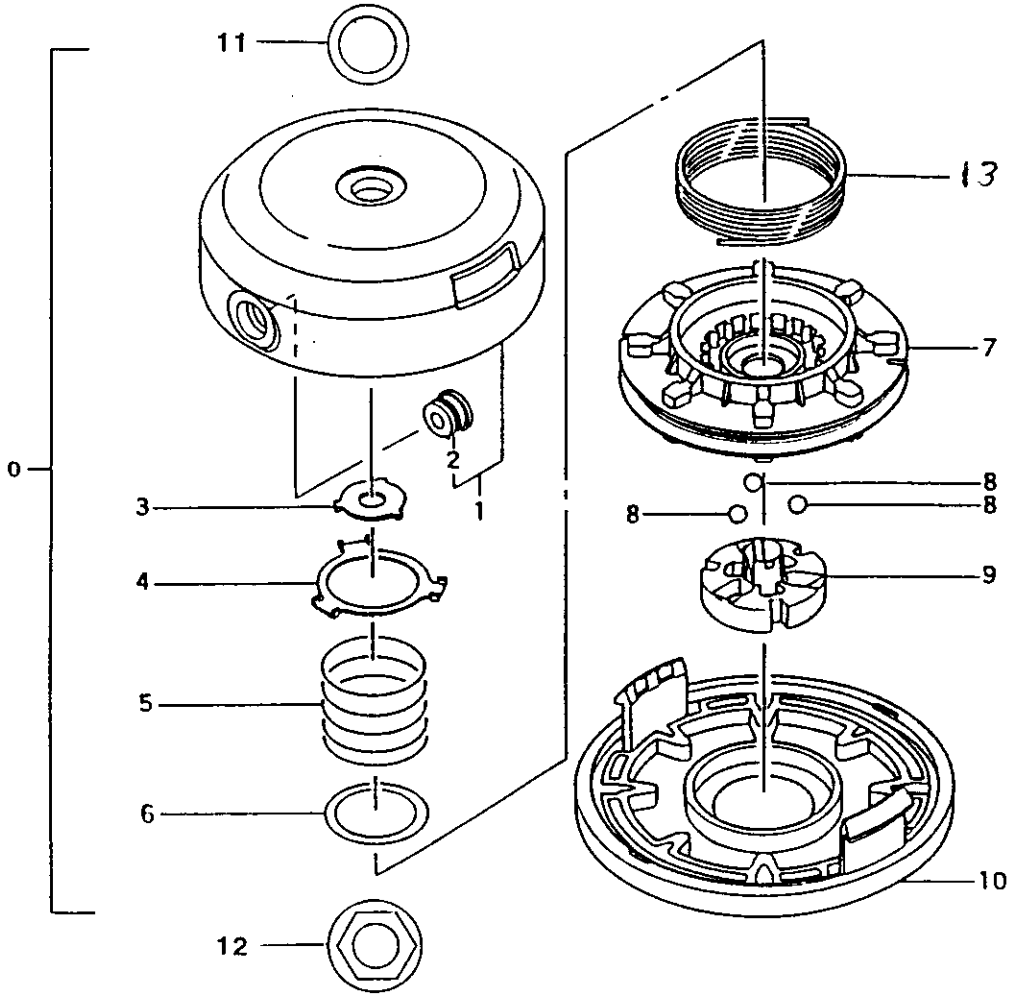


FIGURE 4

TBC-2400 PARTS LISTING

REF.	PART NO.	PART DESCRIPTION	Q	C	S	SERIAL NO.	REMARKS
0	27295	HEAD,AUTO,(TH-96RM)	1		B		
1	786-33810-90	BODY,CUTTING	1		B		
2	788-33071-20	EYELET	2		A		
3	760-33810-20	WASHER,MOUNTING	1		C		
4	785-33810-20	BASE,ADJUSTMENT	1		C		
5	793-33820-20	SPRING, REEL, SILVER	1		B		
6	792-33810-20	WASHER,ADJUSTMENT	1		A		
7	787-33810-20	REEL	1		B		
8	673-35600-20	BALL,STEEL	3		B		
9	790-33810-20	SLIDER,REEL	1		B		
10	789-33810-20	CAP,BODY	1		B		
11	27288	WASHER,ADAPTER	1		B		
12	27287	NUT,MOUNTING	1		B		
13		NYLON LINE .080			A		

* Indicates the part is included in a kit or assembly and is not available individually. Q=Quan. used
 C=Interchangeability S=Stocking code: A-Fast moving B=Med. fast C=Med. move D=Slow move
 E=N.L.A. F=Supersceded or replaced by a new part

Free Manuals Download Website

<http://myh66.com>

<http://usermanuals.us>

<http://www.somanuals.com>

<http://www.4manuals.cc>

<http://www.manual-lib.com>

<http://www.404manual.com>

<http://www.luxmanual.com>

<http://aubethermostatmanual.com>

Golf course search by state

<http://golfingnear.com>

Email search by domain

<http://emailbydomain.com>

Auto manuals search

<http://auto.somanuals.com>

TV manuals search

<http://tv.somanuals.com>