

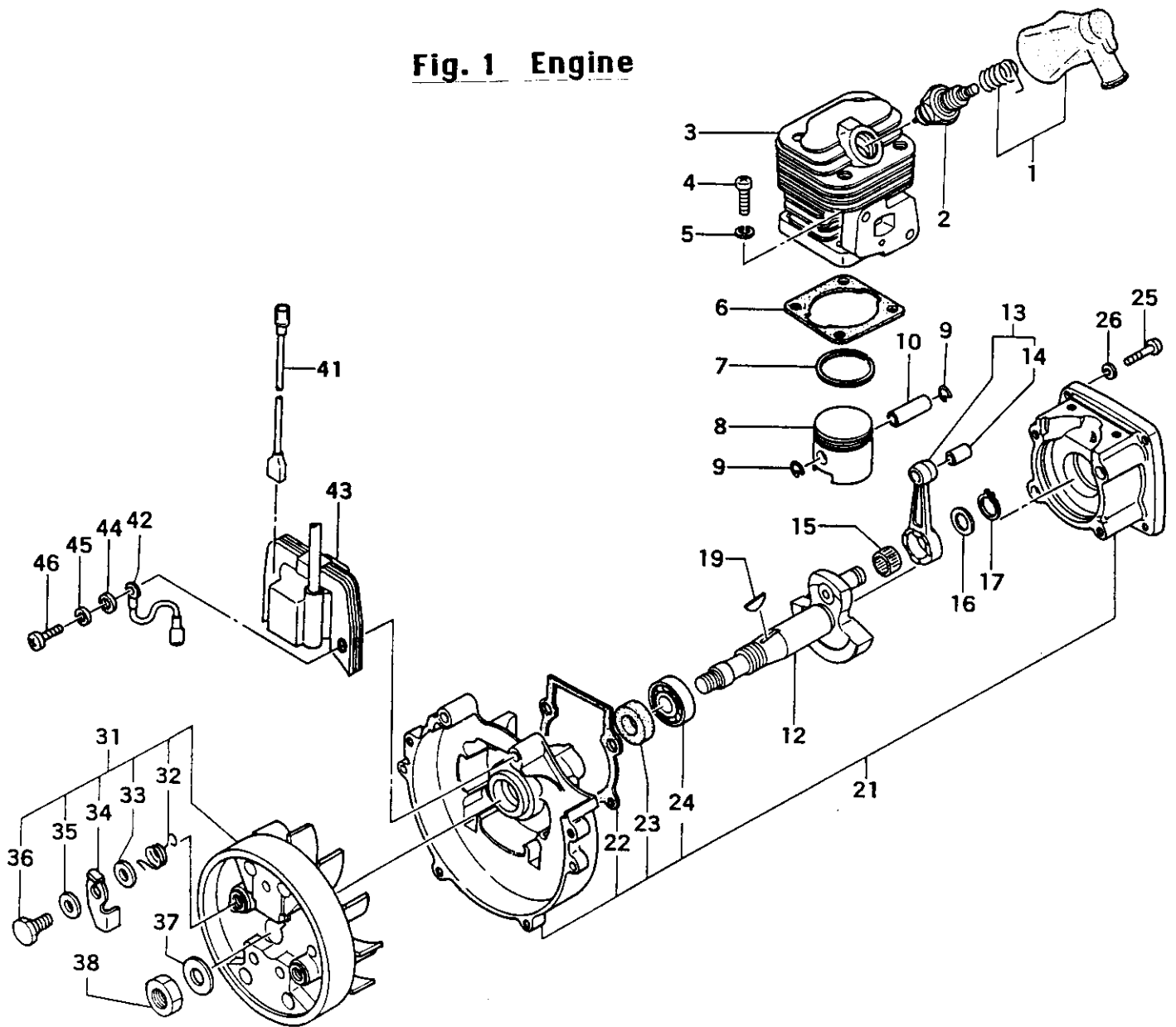
Tanaka

Parts Catalog

Trimmer/Brushcutter

Model: TBC-5500

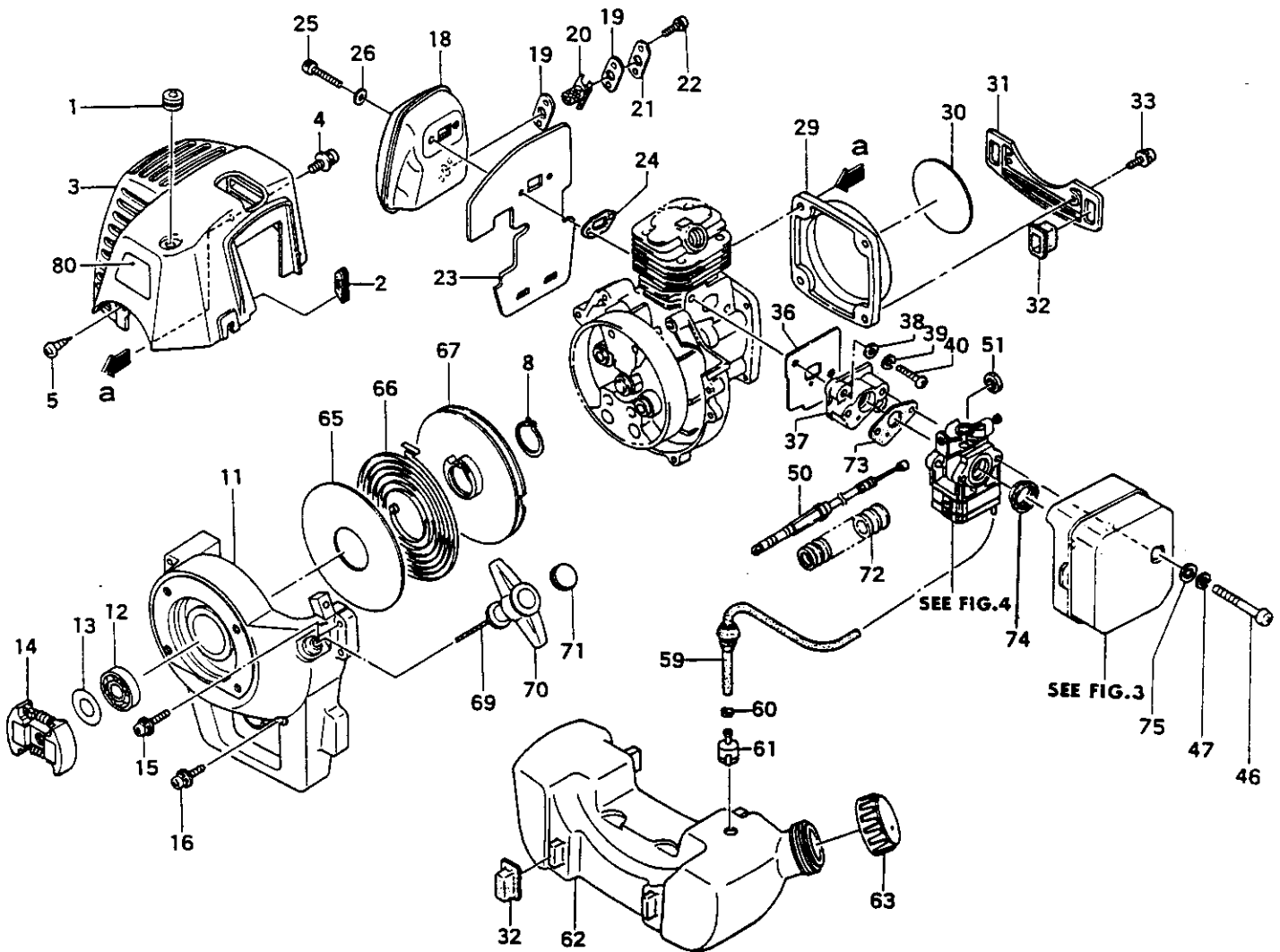
Fig. 1 Engine



Ref.No.	Parts No.	Description	Q'ty	Serial No.	Comment
Fig. 1 Engine					
1-001	157-0631A-900	Spark plug cap ass'y	1		
1-002	018-11660-200	Spark plug BPM6A	1		
1-003	002-0634F-210	Cylinder	1		
1-004	990-11050-181	Screw 5x18	4		
1-005	992-10050-012	S. Washer 5	4		
1-006	017-0631A-200	Cylinder gasket	1		
1-007	041-00000-210	Piston ring	1		
1-008	031-0634F-800	Piston	1	~J072810	
1-008	031-0634F-201	Piston	1	J072811~	
1-009	039-06100-200	Piston circlip	2		
1-010	037-06097-200	Piston pin	1		

Ref.No.	Parts No.	Description	Q'ty	Serial No.	Comment
	Fig. 1 Engine				
1-012	059-0634F-210	Crank shaft, PTO side	1		
1-013	061-0634F-801	Connecting rod comp.	1		
1-014	999-62071-127	Needle bearing F-79	1		
1-015	999-62101-432	Needle bearing 10148	1		
1-016	801-10205-202	Pulley washer	1		
1-017	993-50010-002	Stop ring C-10	1		
1-019	068-10100-200	Wood-ruff key 3x13x4.5	1		
1-021	072-0635A-910	Crank case ass'y	1		
1-022	090-06097-200	Crank case gasket	1		
1-023	999-66152-500	Oil seal 15257	1		
1-024	999-61600-200	Ball bearing #6002	1		
1-025	990-11050-251	Screw 5x25	4		
1-026	992-10050-012	S.Washer 5	4		
1-031	155-20514-901	Magneto rotor ass'y	1		
1-032	790-0633M-210	Starter pawl spring	2		
1-033	786-00601-200	Starter pawl washer	2		
1-034	788-0633M-210	Starter pawl	2		
1-035	822-00601-200	Starter pawl shim 0.6t	2		
1-036	793-10200-202	Step bolt	2		
1-037	992-00120-011	Small washer 12	1		
1-038	991-11120-011	Small nut 12	1		
1-041	178-0631A-800	Stop cord comp.	1		
1-042	274-0097A-800	Earth cord comp.	1		
1-043	167-20508-800	Ignition coil comp.	1		
1-044	992-00050-011	Small washer 5	2		
1-045	992-10050-012	S.Washer 5	2		
1-046	990-11050-201	Screw 5x20	2		

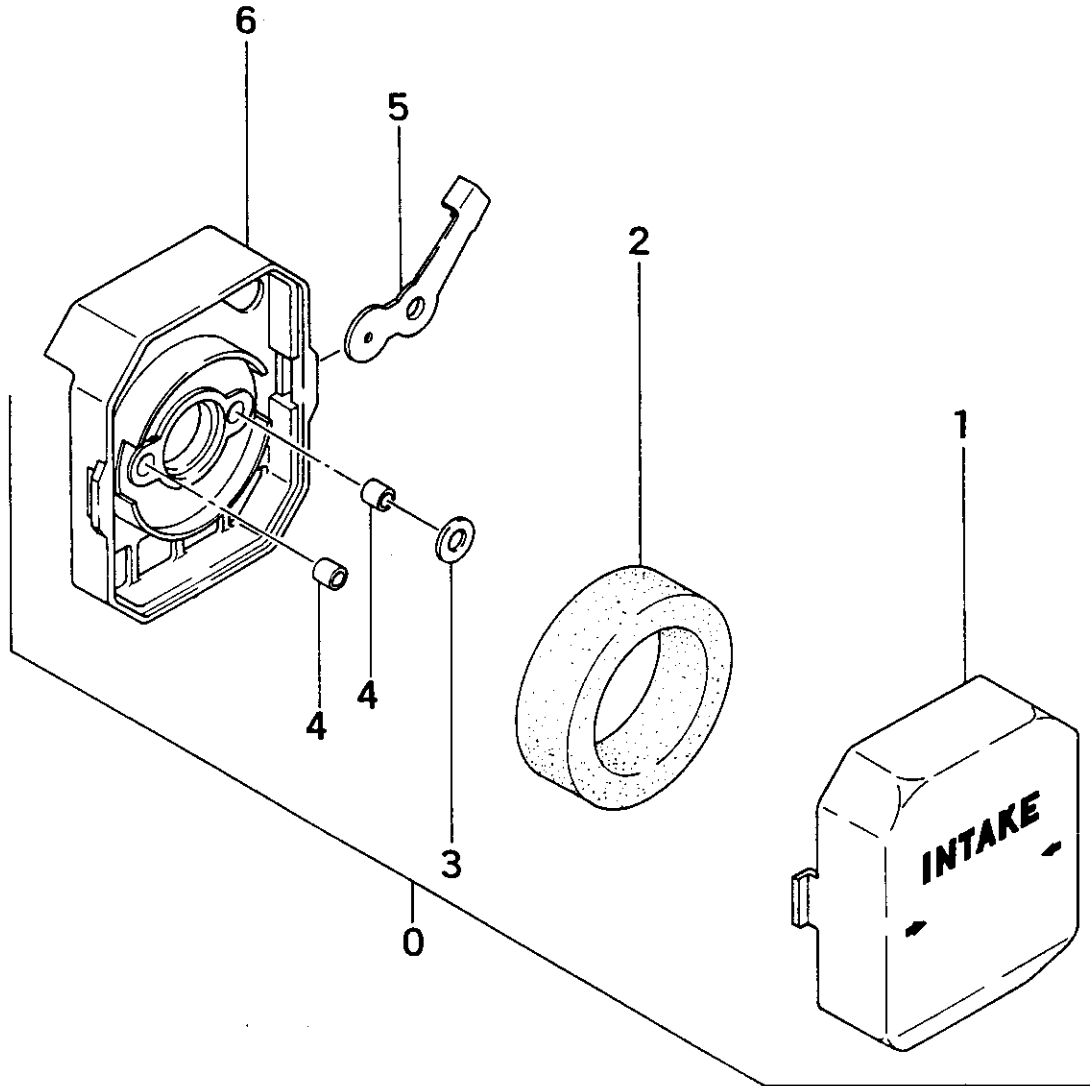
Fig. 2 Engine components



Ref.No.	Parts No.	Description	Q'ty	Serial No.	Comment
Fig. 2 Engine components					
2-001	202-01003-201	Secondary cord grommet	1		
2-002	203-0631A-200	Grommet	1		
2-003	738-0631A-201	Muffler protector	1		
2-004	994-15040-222	Screw 4x22/PS	2		
2-005	990-72045-164	Tapping screw 4.5x16	2		
2-008	993-50017-002	Stop ring C-17	1		
2-011	112-0635A-800	Fan case comp.	1		
2-012	999-61600-001	Ball bearing #6000Z	1		
2-013	173-35500-200	Propeller shaft shim A 0.20	V		
2-013	174-35500-200	Propeller shaft shim A 0.30	V		
2-013	175-35500-200	Propeller shaft shim A 1.00	V		

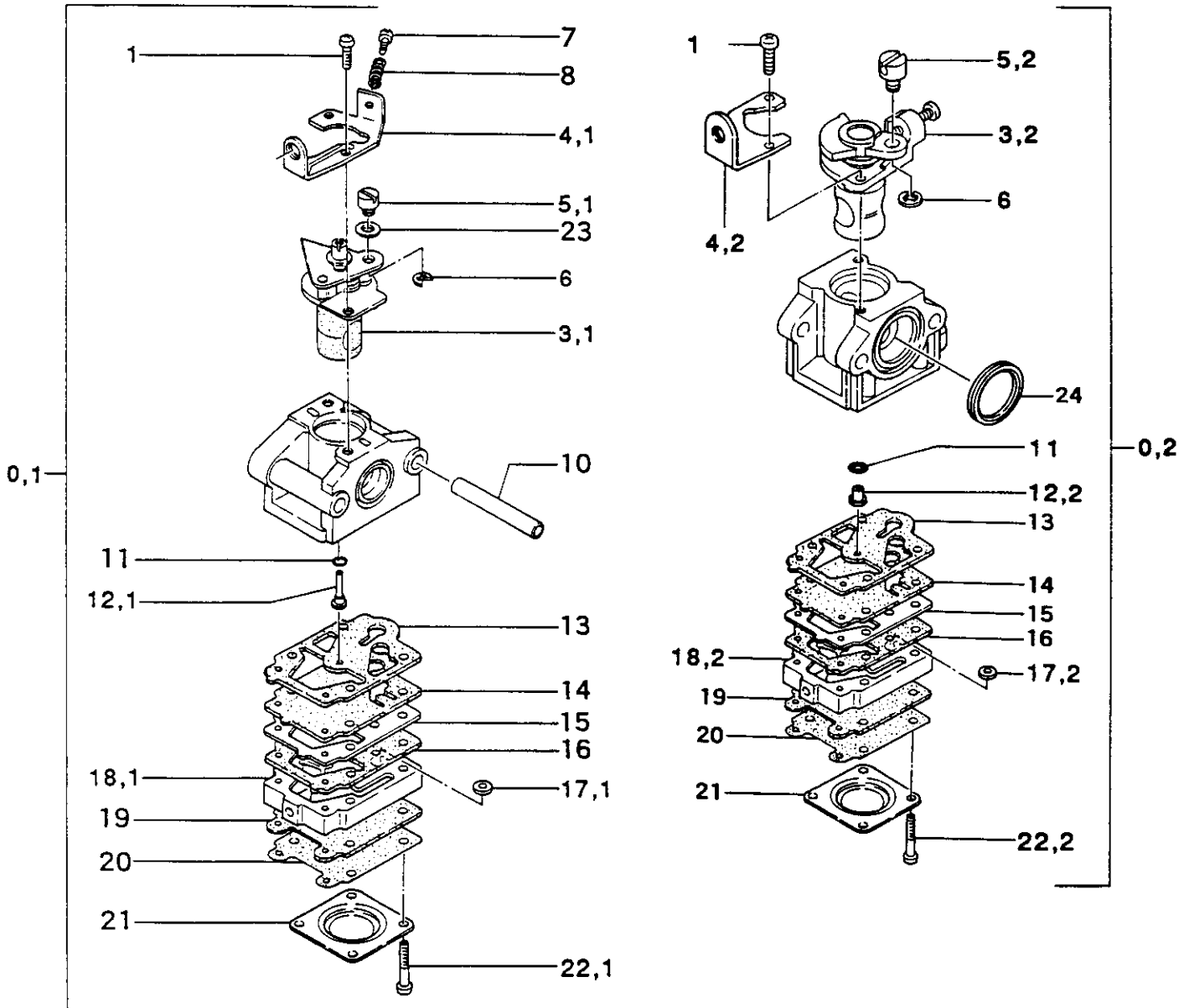
Ref.No.	Parts No.	Description	Q'ty	Serial No.	Comment
Fig. 2 Engine components					
2-014	277-0631Q-900	Clutch ass'y 50mm	1		
2-015	994-16050-202	Screw 5x20/WS	1		
2-016	994-16050-402	Screw 5x40/WS	3	~J072810	
2-016	994-16050-422	Screw 5x42/WS	3	P J072811~	
2-018	706-0631A-801	Muffler comp.	1		
2-019	751-04200-201	Muffler gasket	2		
2-020	732-0631A-200	Spark arrestor	1		
2-021	734-0631A-200	Tail pipe	1		
2-022	994-14040-081	Screw 4x8/S	2		
2-023	133-0631A-201	Heat shield	1		
2-024	737-06100-210	Muffler gasket	1		
2-025	990-51050-503	Hex hole bolt 5x50	2		
2-026	992-01050-011	Washer 5	2		
2-029	218-0634F-200	Crank case cover	1		
2-030	950-37503-200	ProForce mark A	1		
2-031	653-0631A-200	Tank bracket	1		
2-032	655-00940-201	Fuel tank cushion rubber	4		
2-033	994-15040-222	Screw 4x22/PS	2		
2-036	403-0631A-201	Inlet manifold gasket	1		
2-037	404-0631A-800	Carb. insulator comp.	1		
2-038	992-00050-011	Small washer 5	2		
2-039	992-10050-012	S.Washer 5	2		
2-040	990-11050-221	Screw 5x22	2		
2-046	990-11050-551	Screw 5x55	2		
2-047	992-10050-012	S.Washer 5	2		
2-050	885-0631A-802	Throttle wire comp.	1		
2-051	991-01060-013	Nut 6	1		
2-059	223-0162V-900	Fuel pipe ass'y	1		
2-060	680-00731-201	Clip	1		
2-061	675-11600-900	Pump filter body ass'y	1		
2-062	591-0635A-200	Fuel tank	1		
2-063	595-0062A-901	Tank cap ass'y	1		
2-065	827-0635A-200	Recoil spring case cover	1		
2-066	779-0635A-200	Recoil spring	1		
2-067	774-0635A-202	Starter pulley	1		
2-069	783-01800-200	Starter rope 3.5x960	1		
2-070	785-10207-201	Starter handle	1		
2-071	833-10207-200	Starter handle cap	1		
2-072	164-13014-010	Protection tube,l=140	1		
2-073	402-0602K-201	Carburetor gasket	1		
2-074	431-0602K-200	Cleaner gasket	1	D ~J072810	
2-075	992-00050-011	Small washer 5	2		
2-080	077644	Decal,TBC-5500	1		

Fig. 3 Air cleaner



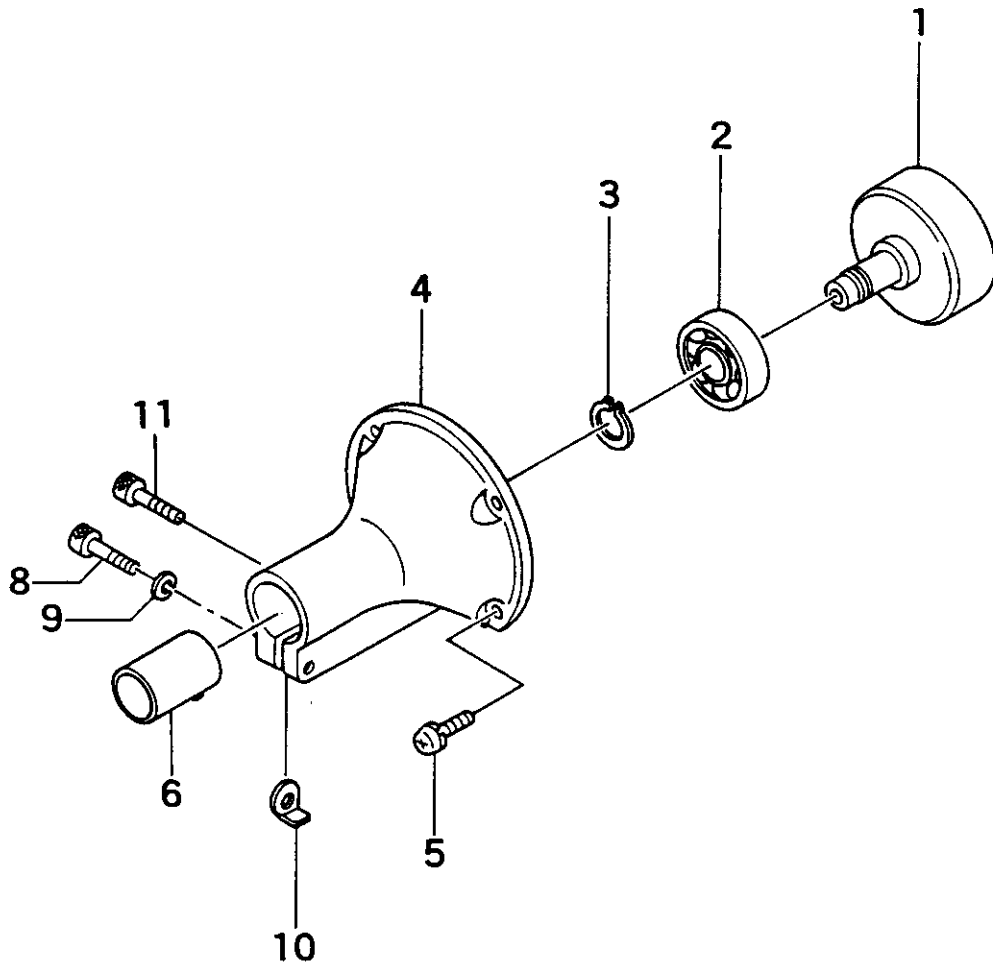
Ref.No.	Parts No.	Description	Q'ty	Serial No.	Comment
Fig. 3 Air cleaner					
3-000	410-0602K-901	Air cleaner ass'y	1	~J072810	
3-000	410-0635A-900	Air cleaner ass'y	1	P J072811~	
3-001	424-0602K-201	Air cleaner cap	1		
3-002	446-0602K-200	Cleaner element	1		
3-003	453-0602K-200	Spacer	1		
3-004	470-0602K-200	Collar	2		
3-005	528-0602K-200	Choke plate	1	~J072810	
3-005	528-0635A-200	Choke plate	1	P J072811~	
3-006	423-0602K-210	Cleaner body	1		

Fig. 4 Carburetor



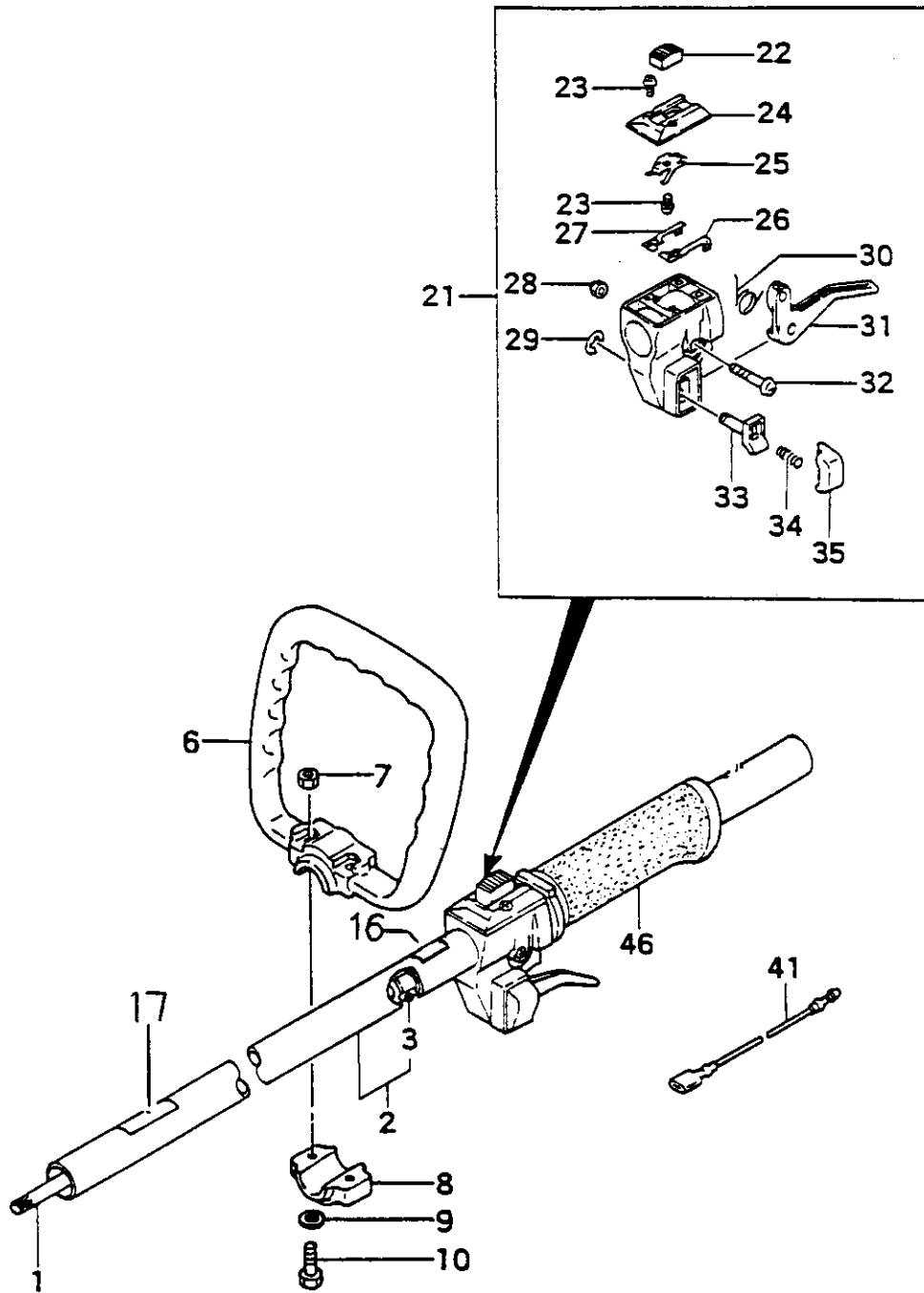
Ref.No.	Parts No.	Description	Q'ty	Serial No.	Comment
Fig. 4 Carburetor					
4-000,1	455-25119-900	Carburetor ass'y WY-56	1	~J072810	
4-000,2	455-25135-900	Carburetor ass'y WYJ-11	1	P J072811~	
4-001	514-25100-200	Throttle set screw	2		
4-003,1	488-25100-810	Throttle valve comp.	1	~J072810	
4-003,2	488-25129-800	Throttle valve comp.	1	N J072811~	
4-004,1	544-25100-200	Adjuster stay	1	~J072810	
4-004,2	544-25120-200	Adjuster stay	1	N J072811~	
4-005,1	539-25101-200	Swivel	1	~J072810	
4-005,2	539-25120-200	Swivel	1	N J072811~	
4-006	489-25100-200	Stop ring	1		
4-007	462-25100-201	Idle adjust screw	1	D ~J072810	
4-008	463-25100-200	Idle adjustr spring	1	D ~J072810	
4-010	437-25100-200	Sleeve	2	D ~J072810	
4-011	550-25100-200	O-ring	1		
4-012,1	599-25100-440	Main jet #44	1	M	
4-012,2	599-2000W-440	Main jet #44	1		
4-013	577-25100-200	Pump gasket	1		
4-014	576-25100-200	Pump diaphragm	1		
4-015	523-25100-201	Pump plate	1		
4-016	522-25100-200	Circuit plate	1		
4-017,1	578-25006-200	Inlet screen	1	I ~J072810	
4-017,2	578-25007-200	Inlet screen	1	J072811~	
4-018,1	575-25119-800	Pump body comp.	1	~J072810	
4-018,2	575-25135-800	Pump body comp.	1	N J072811~	
4-019	475-25001-200	Diaphragm gasket	1		
4-020	474-25001-800	Metering diaphragm comp.	1		
4-021	476-25004-200	Diaphragm cover	1		
4-022,1	548-25100-200	Set screw	4	I ~J072810	
4-022,2	548-25101-200	Set screw	4	J072811~	
4-023	549-25100-200	Thrust washer	1	D ~J072810	
4-024	431-0634C-200	Cleaner packing	1	J072811~	

Fig. 5 Clutch case



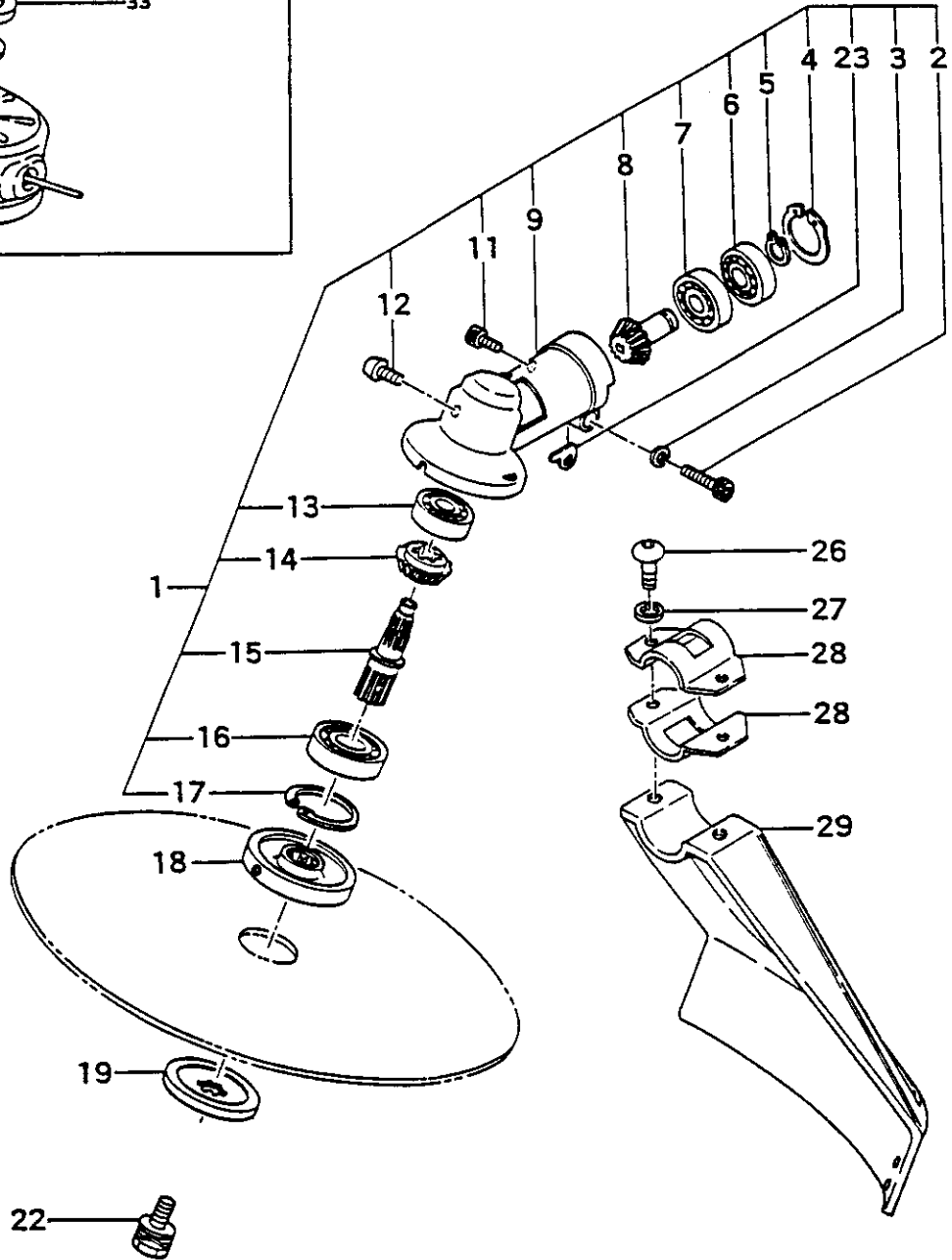
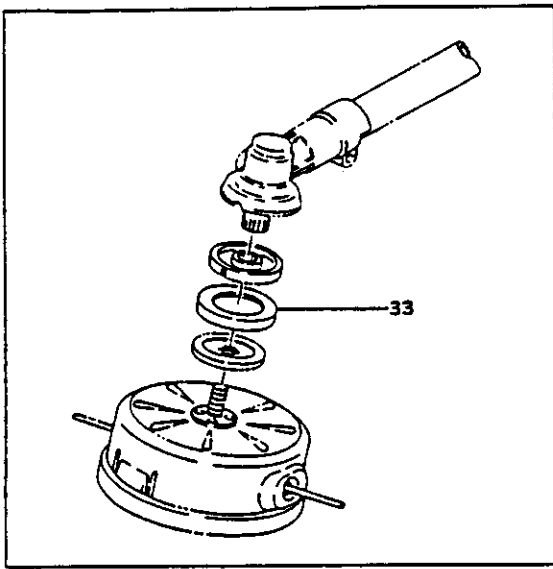
Ref.No.	Parts No.	Description	Q'ty	Serial No.	Comment
Fig. 5 Clutch case					
5-001	289-0631Q-800	Clutch shaft comp.	1		
5-002	999-61620-101	Ball bearing # 6201ZZ	1		
5-003	993-50012-002	Stop ring C-12	1		
5-004	331-0636J-200	Clutch case	1		
5-005	994-14050-162	Screw 5x16/S	4		
5-006	599-0636J-200	Cushion rubber	1		
5-008	990-51050-253	Hex. hole bolt 5x25	1		
5-009	992-10050-062	S. Washer 5	1		
5-010	249-0630G-201	Spacer	1		
5-011	990-51050-153	Hex. hole bolt 5x15	1		

Fig. 6 Handle



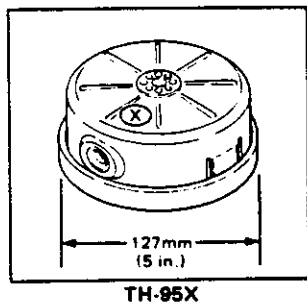
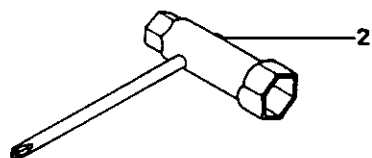
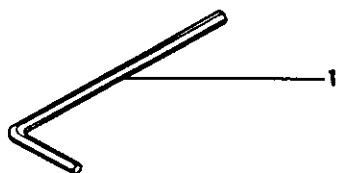
Ref.No.	Parts No.	Description	Q'ty	Serial No.	Comment
	Fig. 6 Handle				
6-001	343-37617-200	Drive shaft, l=1490mm	1		
6-002	341-37616-800	Drive shaft pipe comp.	1		
6-003	347-37300-900	Bushing ass'y	5		
6-006	500-33316-200	Handle	1		
6-007	991-01060-011	Nut 6	2		
6-008	506-33316-200	Handle bracket	1		
6-009	992-01060-011	Washer 6	2		
6-010	990-23060-351	Plus bolt 6x35	2		
6-016	919-37701-200	Caution mark	1		
6-017	951-31310-200	Proforce mark A	1		
6-021	870-37300-900	Throttle lever ass'y 24mm	1		
6-022	162-37101-200	Stop switch	1		
6-023	993-42030-081	Tapping screw 3x8	3		
6-024	259-37101-200	Stop switch base	1		
6-025	262-37101-200	Stop switch spring	1		
6-026	177-37101-200	Earth terminal B	1		
6-027	176-37101-200	Earth terminal A	1		
6-028	991-86050-000	Lock nut 5	1		
6-029	993-55060-001	Stop ring 6	1		
6-030	832-37101-200	Return spring	1		
6-031	880-37101-200	Throttle arm	1		
6-032	994-31050-251	Screw 5x25	1		
6-033	853-37101-200	Lock button shaft	1		
6-034	958-37101-200	Lock button spring	1		
6-035	956-37101-200	Lock button	1		
6-041	178-37300-801	Stop cord comp.	2		
6-046	504-37300-200	Shaft grip	1		

Fig. 7 Gear case

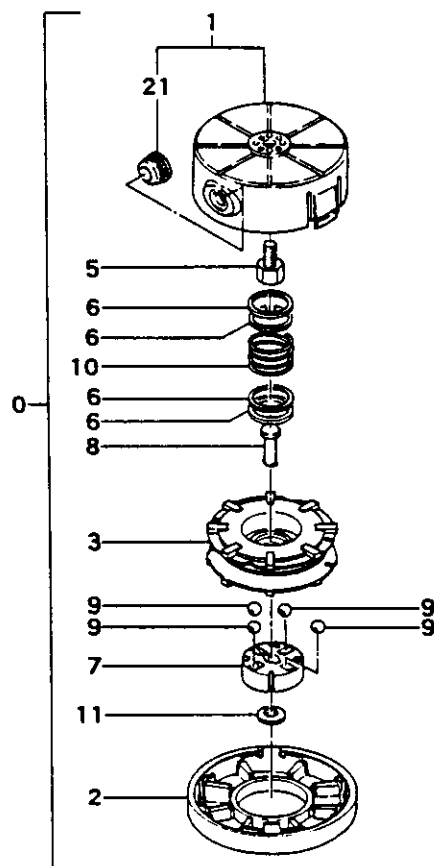


Ref.No.	Parts No.	Description	Q'ty	Serial No.	Comment
Fig. 7 Gear case					
7-001	300-37417-900	Gear case ass'y	1		
7-002	990-51050-253	Hex. hole bolt 5x25	1		
7-003	992-10050-062	S. Washer 5	1		
7-004	993-53022-002	Stop ring R-22	1		
7-005	993-50010-002	Stop ring C-10	1		
7-006	999-61690-001	Ball bearing #6900ZZ	1		
7-007	999-61690-000	Ball bearing #6900	1		
7-008	302-37300-200	Pinion	1		
7-009	300-37623-200	Gear case	1		
7-011	990-51050-103	Hex. hole bolt 5x10	1		
7-012	990-15080-100	Screw 8x10	1		
7-013	999-61626-000	Ball bearing #626	1		
7-014	301-37300-200	Gear	1		
7-015	304-37307-200	Gear shaft	1		
7-016	999-61600-104	Ball bearing #6001D	1		
7-017	993-51028-002	Stop ring C-28	1		
7-018	310-37623-202	Cutter holder	1		
7-019	311-37300-202	Cutter holder cap	1		
7-022	312-37623-200	Fixing bolt (LH thread)	1		
7-023	324-37350-200	Gear case washer	1		
7-026	990-23060-161	Plus bolt 6x16	2		
7-027	992-10060-012	S. Washer 6	2		
7-028	442-37417-200	Safety guard bracket	2		
7-029	441-33905-800	Safety guard comp.	1		
7-033	307-37307-200	Winding protector	1		

FIG.8 TOOLS & OPTIONAL PARTS



NYLON HEAD



Ref.No.	Parts No.	Description	Q'ty	Serial No.	Comment
Fig. 8 Tools & Cutting head					
8-001	813-20000-200	Hex. wrench 4	1		
8-002	829-20000-800	Box spanner 13x19/plus	1		
Cutting head, TH-95X					
1	783-33440-902	Nylon head ass'y (TH-95X)	1		
2	786-33004-900	Cutting body ass'y	1		
3	789-33004-201	Cutting body cap	1		
5	787-33004-202	Cord reel	1		
5	314-33670-200	L/H bolt 8x1.25 (Gold)	1		
6	792-33004-200	Reel washer	4		
7	790-33004-200	Reel slider	1		
8	791-33004-200	Reel slider hook	1		
9	673-35600-200	Steel ball 5/16"	4		
10	793-33440-200	Reel spring (Gold)	1		
11	358-02103-200	Washer	1		
21	788-33071-200	Cord guide	2		

Free Manuals Download Website

<http://myh66.com>

<http://usermanuals.us>

<http://www.somanuals.com>

<http://www.4manuals.cc>

<http://www.manual-lib.com>

<http://www.404manual.com>

<http://www.luxmanual.com>

<http://aubethermostatmanual.com>

Golf course search by state

<http://golfingnear.com>

Email search by domain

<http://emailbydomain.com>

Auto manuals search

<http://auto.somanuals.com>

TV manuals search

<http://tv.somanuals.com>