

# **Tanaka** Illustrated Parts Manual

Model Number:

**THT-2000**

**21cc, 20" HEDGETRIMMER**

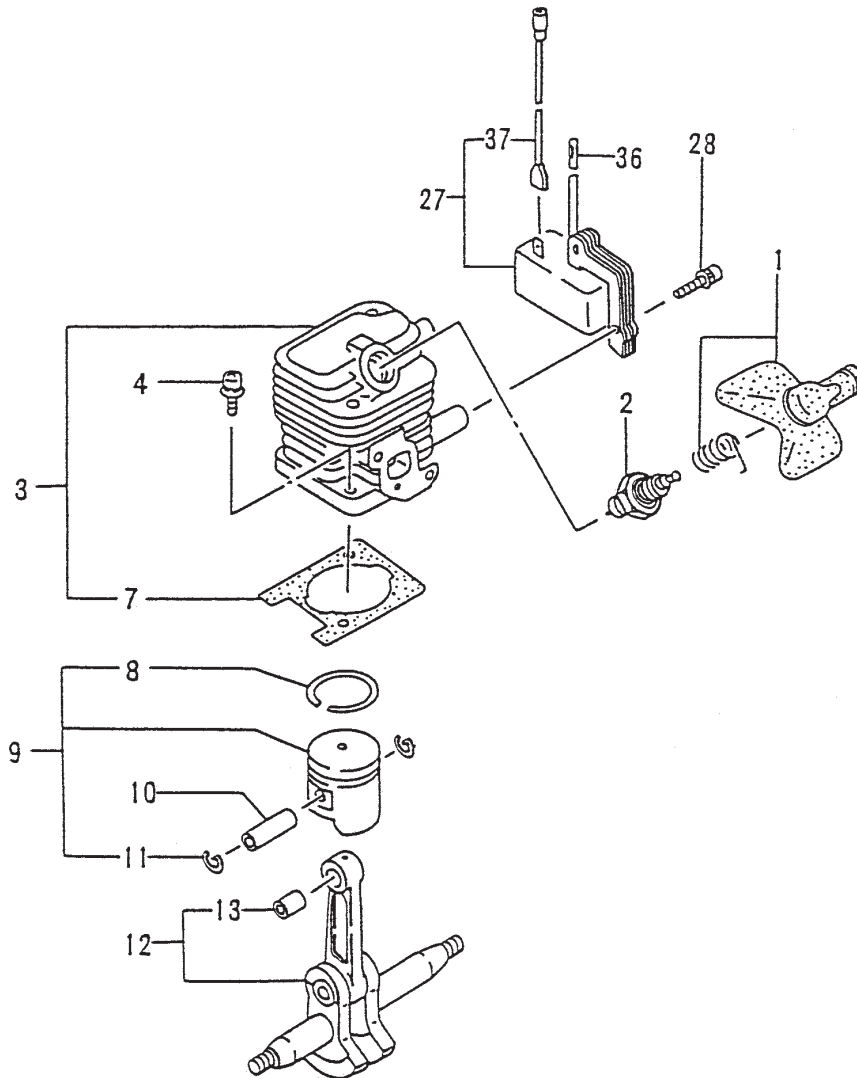
P/N 32826

Rev 000

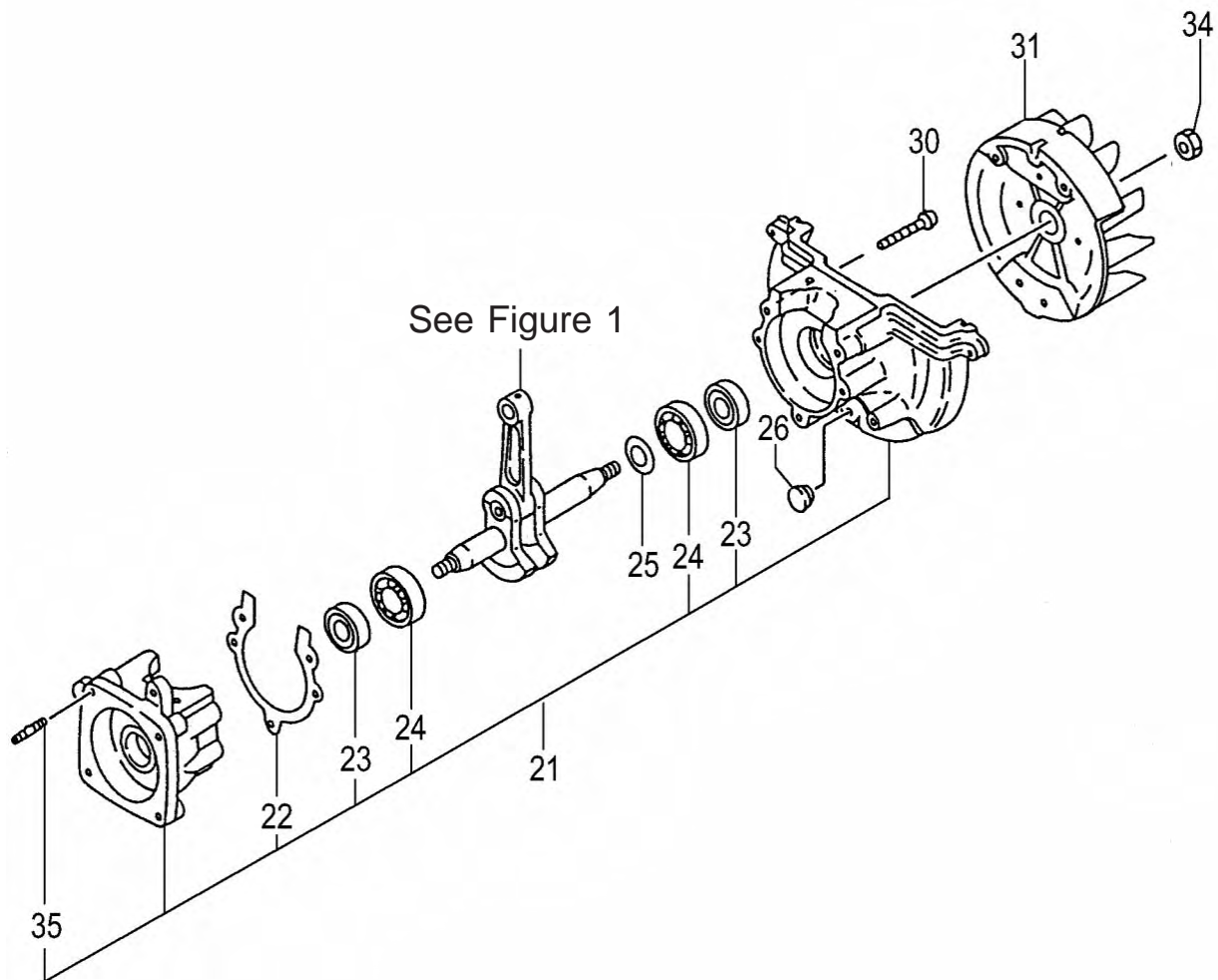
Date 04-09-08



Nikko Tanaka Engineering U.S.A.,Ltd. • 1028 4<sup>th</sup> Street SW, Bldg B • Auburn, WA 98001 • Phone: (253) 333-1200 • Fax: (253) 333-1212

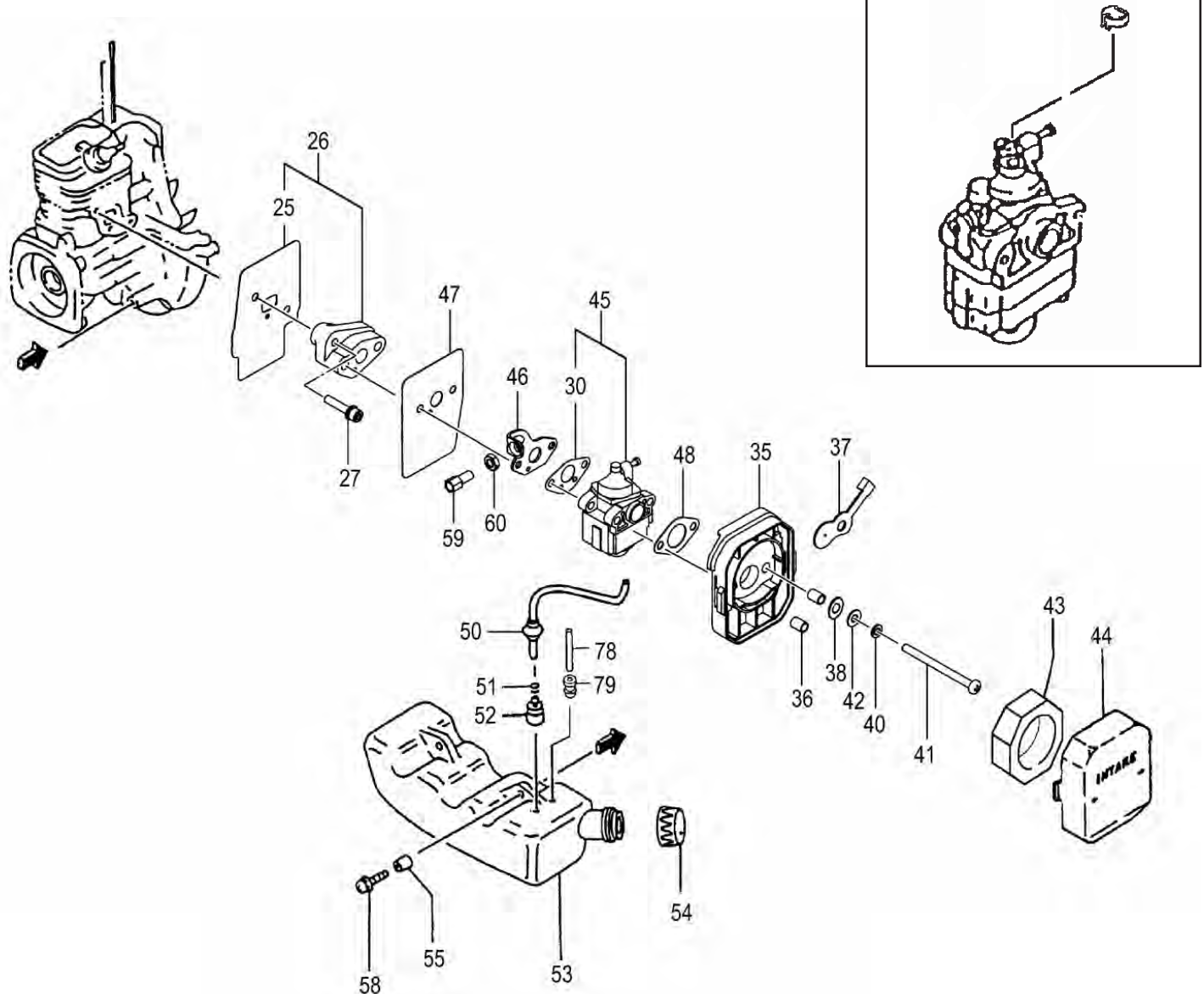


ITEM	PART NUMBER	DESCRIPTION	QTY	COMMENTS
1-1	1570650091	CAP, SPARK PLUG ASS'Y	1	
1-2	0181166021	PLUG, SPARK	1	
1-3	0010650A90	CYLINDER SET	1	Includes gasket
1-4	99461050184	BOLT, HEX, 5X18, S	2	
1-7	0170650020	GASKET, CYLINDER	1	
1-8	04100601210	RING, PISTON	1	
1-9	0300007090	SET, PISTON	1	Includes rings and circlips
1-10	03706500200	PIN, PISTON	1	
1-11	03901620200	CIRCLIP	2	
1-12	0460662080	CRANKSHAFT	1	Units prior to S/N ~D070201
1-12	0460662180	CRANKSHAFT	1	Units after S/N D070202~
1-13	99962081277	BEARING, NEEDLE, HK0810B	1	Units prior to S/N ~D070201
1-27	1532153390	COIL, IGNITION	1	
1-28	99464040184	BOLT, HEX, 4X18WS	2	
1-36	25006500200	TUBE, INSULATOR	1	
1-37	1780650080	CORD, STOP	1	

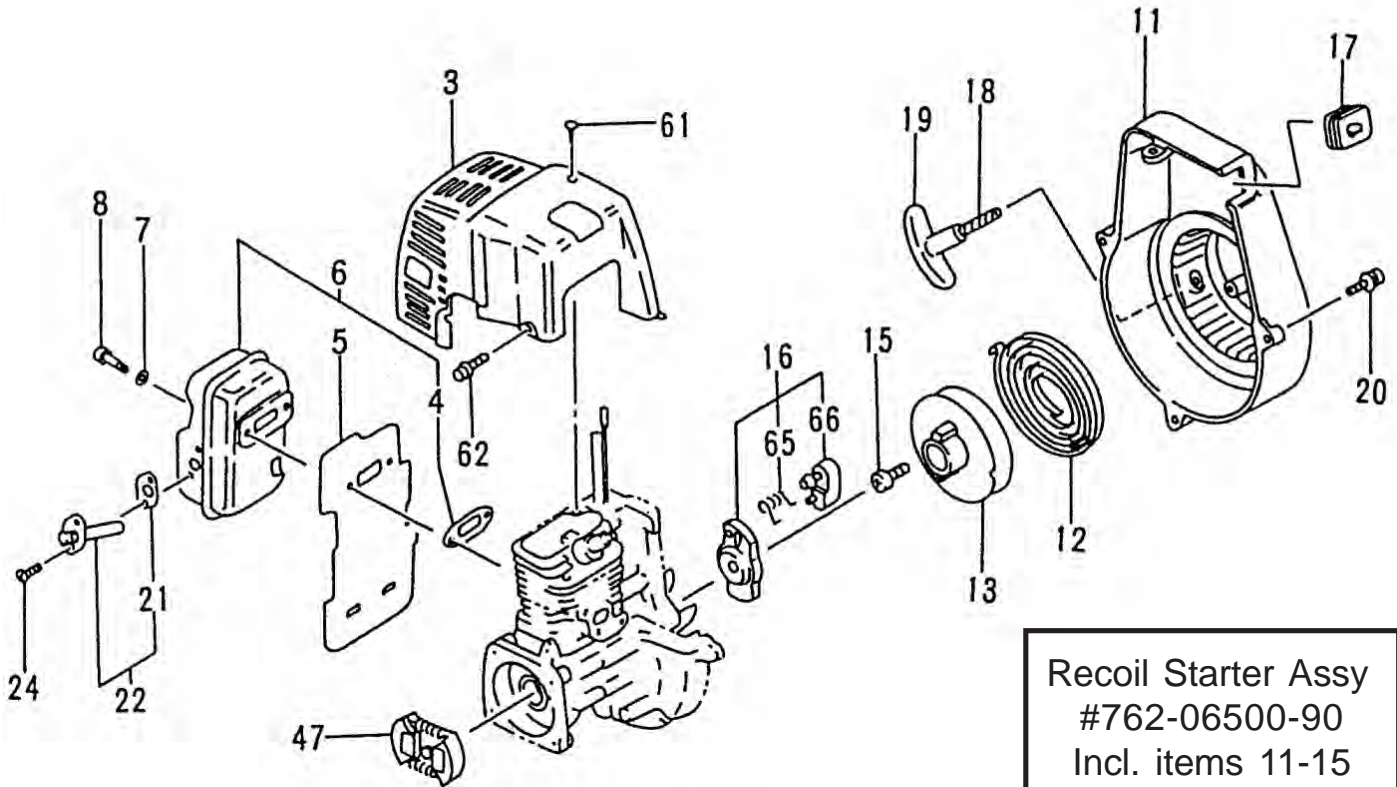


ITEM	PART NUMBER	DESCRIPTION	QTY	COMMENTS
2-21	0720650090	CRANKCASE ASS'Y	1	Includes bearings, seals and gasket
2-22	09006500200	GASKET, CRANKCASE	1	
2-23	99966122240	SEAL, OIL, #12227	2	
2-24	99961600115	BEARING, BALL, 6001 C3	2	
2-25	33000200210	SHIM, 12.2X19X.10	V	Shims are as needed
2-25	33000200220	SHIM, 12.2X19X.15	V	
2-25	33000200230	SHIM, 12.2X19X.20	V	
2-25	33000200240	SHIM, 12.2X19X.30	V	
2-26	59900601200	CUSHION	1	
2-30	99461050304	BOLT, HEX, 5X30S	3	
2-31	1552154980	ROTOR, MAGNETO	1	
2-34	99101080011	NUT, 8	1	
2-35	10002100200	BOLT, STUD, 6X22	2	

*A small retainer (560-02170-20), has been added to this model after serial # A099801 to prevent the barrel end of the throttle wire from coming detached from the carburetor.*

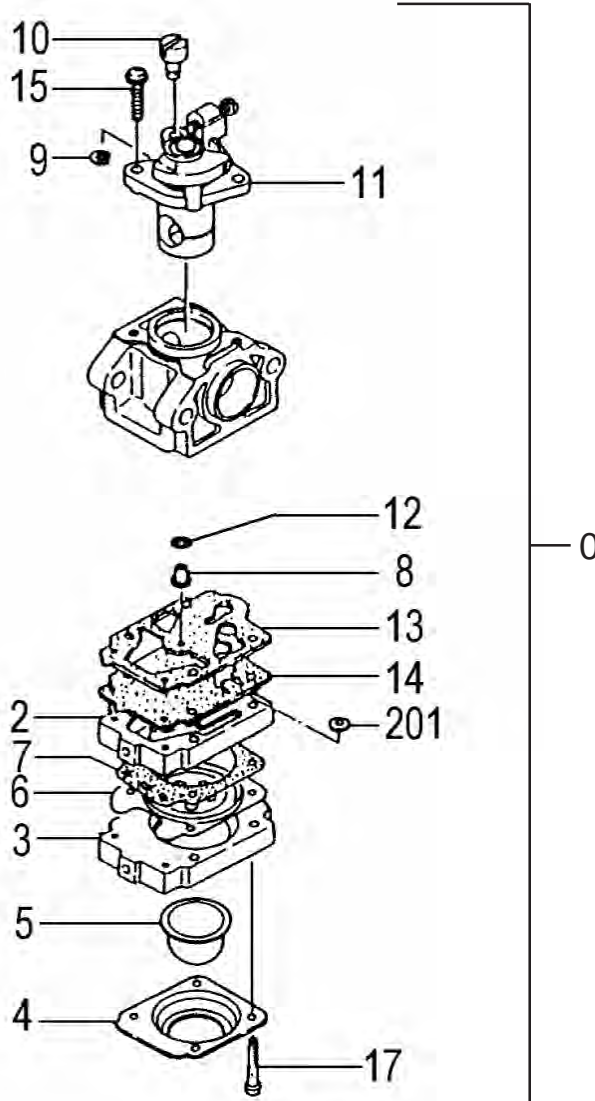


ITEM	PART NUMBER	DESCRIPTION	QTY	COMMENTS
3-25	40306500200	GASKET,INTAKE	1	Includes gasket
3-26	4040650090	SET,CARB INSULATOR	1	
3-27	99464050254	BOLT,HEX HOLE,5X25WS	2	
3-30	4020602K21	GASKET,CARBURETOR	1	
3-35	4230072Z81	BODY,CLEANER	1	
3-36	47000025200	COLLAR	2	
3-37	5280635A200	PLATE,CHOKE	1	
3-38	4530602K200	COLLAR	1	
3-40	99210050012	WASHER,S,5	2	
3-41	99011050652	SCREW,5x65	2	
3-42	99201050011	WASHER,5	2	
3-43	4460602K200	ELEMENT	1	
3-44	4240602K201	CAP,CLEANER	1	
3-45	4550662290	CARBURETOR	1	
3-46	8780662020	PLATE,THROTTLE WIRE	1	
3-47	40206500200	GASKET,CARBURETOR	1	
3-48	43106020200	GASKET,CLEANER	1	
3-50	2230650090	PIPE,FUEL,ASS'Y	1	
3-51	68000731201	CLIP 6.3	1	
3-52	6750404280	FILTER,FUEL	1	
3-53	5910650U21	TANK,FUEL	1	
3-54	5950007390	CAP,TANK	1	
3-55	65900801200	COLLAR	2	
3-58	99463050185	BOLT,HEX 5X18PS	2	
3-59	61425137200	ADJUSTER,CABLE	1	
3-60	99101060013	NUT,6	1	
3-78	7000300507	PIPE,FUEL,3X5X75	1	
3-79	53432710200	GROMMET,FUEL PIPE	1	

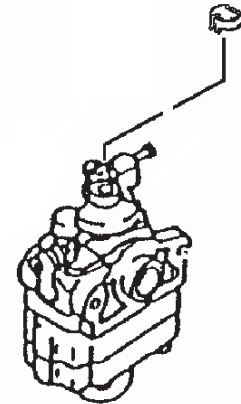


Recoil Starter Assy  
#762-06500-90  
Incl. items 11-15  
and 17-19

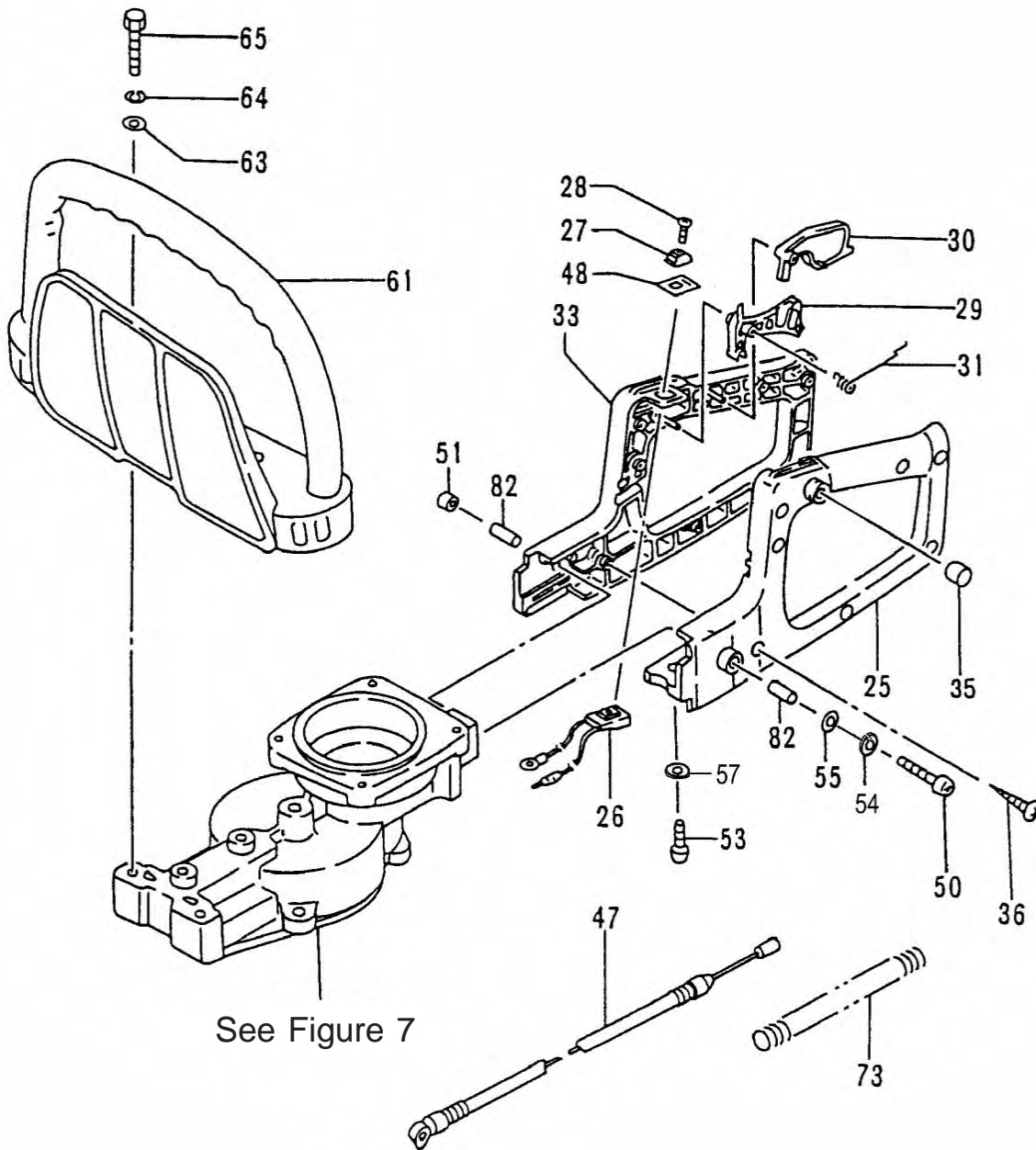
ITEM	PART NUMBER	DESCRIPTION	QTY	COMMENTS
4-3	7380650020	PROTECTOR,MUFFLER	1	
4-4	73706500200	GASKET,MUFFLER	1	
4-5	13306500200	SHIELD,HEAT	1	
4-6	7040651C91	MUFFLER SET	1	
4-7	99201050011	WASHER,5	2	
4-8	99051050503	BOLT,HEX,5X50	2	
4-11	1120650080	CASE,FAN	1	
4-12	78006097200	SPRING,RECOIL	1	
4-13	77406097200	PULLEY,STARTER	1	
4-15	8390201020	SCREW,SET	1	
4-16	79806500900	PULLEY,STARTER,ASS'Y	1	
4-17	2030604A202	GROMMET	1	
4-18	78306097200	ROPE,STARTER	1	
4-19	78506410200	HANDLE,STARTER	1	
4-20	99463040154	BOLT,HEX,4X15,PS	1	
4-21	75106500200	GASKET,MUFFLER	1	
4-22	7210650091	PIPE,TAIL SET	1	Includes spark arrestor
4-24	99434040081	SCREW,4X8/S	2	
4-47	2770634F901	CLUTCH,ASSY	1	
4-61	99072045164	SCREW,TAPPING,4.5X16	1	
4-62	99425040128	BOLT,PS,4X12	2	
4-65	79006097200	SPRING,STARTER PAWL	1	
4-66	7880650020	PAWL,STARTER	1	



*A small retainer (560-02170-20), has been added to this model after serial # A099801 to prevent the barrel end of the throttle wire from coming detached from the carburetor.*

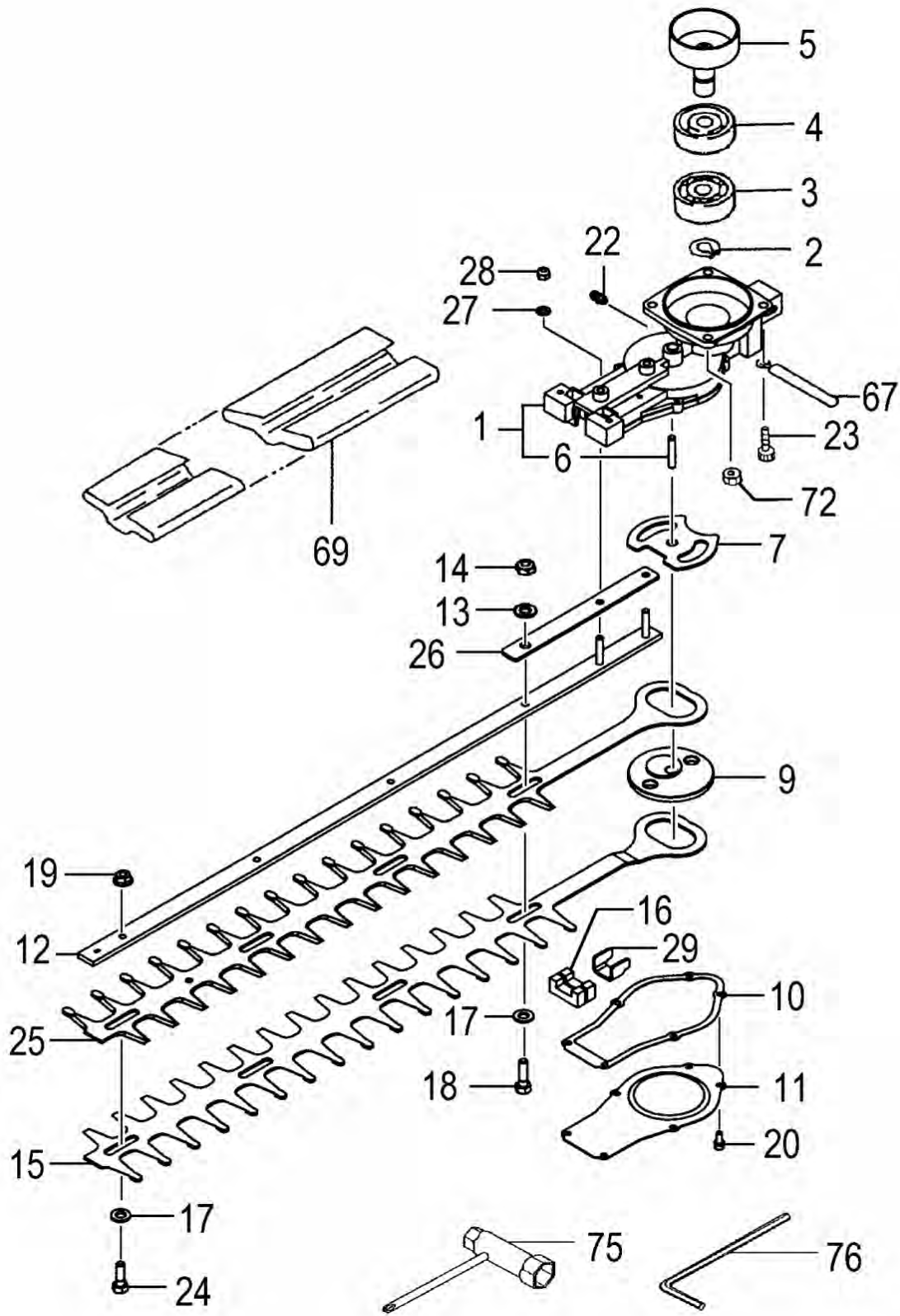


ITEM	PART NUMBER	DESCRIPTION	QTY	COMMENTS
5-0	4550662290	CARBURETOR SET	1	Includes gasket
5-2	5752515780	BODY,PUMP	1	
5-3	4422515180	PUMP,PRIMING	1	
5-4	4762515120	COVER,DIAPHRAGM	1	
5-5	44725108200	BULB,PRIMING	1	
5-6	~ ~ ~	DIAPHRAGM,METERING	1	~ Included in 650.25124.900 Carb Kit
5-7	~ ~ ~	GASKET,DIAPHRAGM	1	(not available individually)
5-8	5992000W410	JET,MAIN,#41	1	
5-9	48925100200	RING,STOP	1	
5-10	53925120200	SWIVEL	1	
5-11	48825145800	VALVE,THROTTLE	1	
5-12	55025100200	O-RING	1	
5-13	~ ~ ~	GASKET,PUMP	1	
5-14	~ ~ ~	DIAPHRAGM,PUMP	1	
5-15	54825140200	SCREW,THROTTLE SET	2	
5-17	5482515120	SCREW,SET	1	
5-201	57825007200	SCREEN,INLET	1	

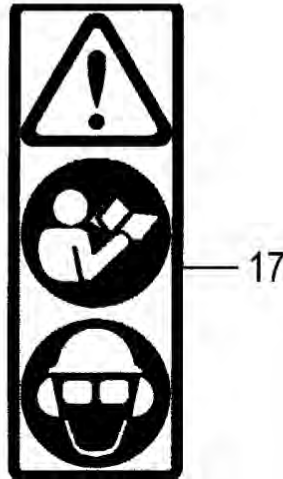




ITEM	PART NUMBER	DESCRIPTION	QTY	COMMENTS
6-25	05033150010	HANDLE,REAR,ASSY	1	Includes #25 & #33 only
6-26	1703317A80	SWITCH,STOP	1	
6-27	2581165020	BUTTON,STOP	1	
6-28	99011030101	SCREW,3x10	1	
6-29	2303315020	LEVER,THROTTLE	1	
6-30	23133150200	LEVER,SAFETY	1	
6-31	23233150200	SPRING,THROTTLE LEVER	1	Included in #25 - Rear Handle Ass'y
6-33	~ ~ ~	HANDLE	1	
6-35	7653212020	CAP	1	
6-36	99311041812	SCREW,TAPPING,4X18	7	
6-47	8850662080	WIRE,THROTTLE	1	
6-48	9253253020	DECAL,STOP BUTTON	1	
6-50	99051050453	BOLT,HEX,5X45	1	
6-51	99178050010	NUT,LOCK 5	1	
6-53	99461060184	BOLT,HEX,6x18S	1	
6-54	99210050012	WASHER,S,5	1	
6-55	99200050011	WASHER,SMALL,5	1	
6-57	99201060011	WASHER,6	1	
6-61	2103324720	HANDLE,FRONT	1	
6-63	36832057200	WASHER,BRAKE SHAFT	2	
6-64	99210050062	WASHER,S,5	2	
6-65	99051050403	BOLT,HEX,5X40	2	
6-73	1641001500	TUBE,PROTECTION,10X150	1	
6-82	65900801200	COLLAR	2	



ITEM	PART NUMBER	DESCRIPTION	QTY	COMMENTS
7-1	3003328780	CASE,GEAR	1	
7-2	99350015002	RING,STOP,C-15 EX	1	
7-3	99961600200	BEARING,BALL,#6002	1	
7-4	99961600202	BEARING,BALL,#6002Z	1	
7-5	2883318080	DRUM,CLUTCH	1	
7-6	30533160200	SHAFT,GEAR	1	
7-7	0753328720	PLATE,GUIDE	1	
7-9	3073328720	GEAR 2	1	
7-10	30333160200	GASKET,GEARCASE	1	
7-11	6303328720	COVER,GEAR CASE	1	
7-12	1223328780	GUIDE,CUTTER	1	
7-13	99201060011	WASHER,6	1	
7-14	99174060010	NUT,6	1	
7-15	1213328720	BLADE,B,DS,20"	1	
7-16	0853328720	SEAL,GREASE A	2	
7-17	12933202201	WASHER,7	4	
7-18	1243228720	BOLT, FIXING, A, M6	1	
7-19	40927	NUT, FLANGE, 6	3	
7-20	99461040104	BOLT, HEX, 4X10, S	6	
7-22	30032250801	FITTING, GREASE	1	
7-23	99461060184	BOLT, HEX, 6x18S	2	
7-24	1253228720	BOLT, CUTTER FIXING, B	3	
7-25	1203328720	BLADE, A, DS, 20"	1	
7-26	4623328720	PLATE, SUPPORT	1	
7-27	99200050011	WASHER, SMALL, 5	2	
7-28	99178050010	NUT, LOCK 5	2	
7-29	0703328720	PLATE, HOLDING	1	
7-67	19810246800	CLAMP, CORD	1	
7-69	1383325820	COVER, CUTTER	1	
7-72	99440060011	NUT, SPRING 6	2	
7-75	03629331501	SPANNER, COMBI	1	
7-76	81320000200	WRENCH, HEX, 4	1	



ITEM	PART NUMBER	DESCRIPTION	QTY	COMMENTS
8-1	9150662020	DECAL,THT-2000	1	
8-17	9203246620	DECAL,CAUTION	1	

## Free Manuals Download Website

<http://myh66.com>

<http://usermanuals.us>

<http://www.somanuals.com>

<http://www.4manuals.cc>

<http://www.manual-lib.com>

<http://www.404manual.com>

<http://www.luxmanual.com>

<http://aubethermostatmanual.com>

Golf course search by state

<http://golfingnear.com>

Email search by domain

<http://emailbydomain.com>

Auto manuals search

<http://auto.somanuals.com>

TV manuals search

<http://tv.somanuals.com>