

Tanaka



Parts Catalog

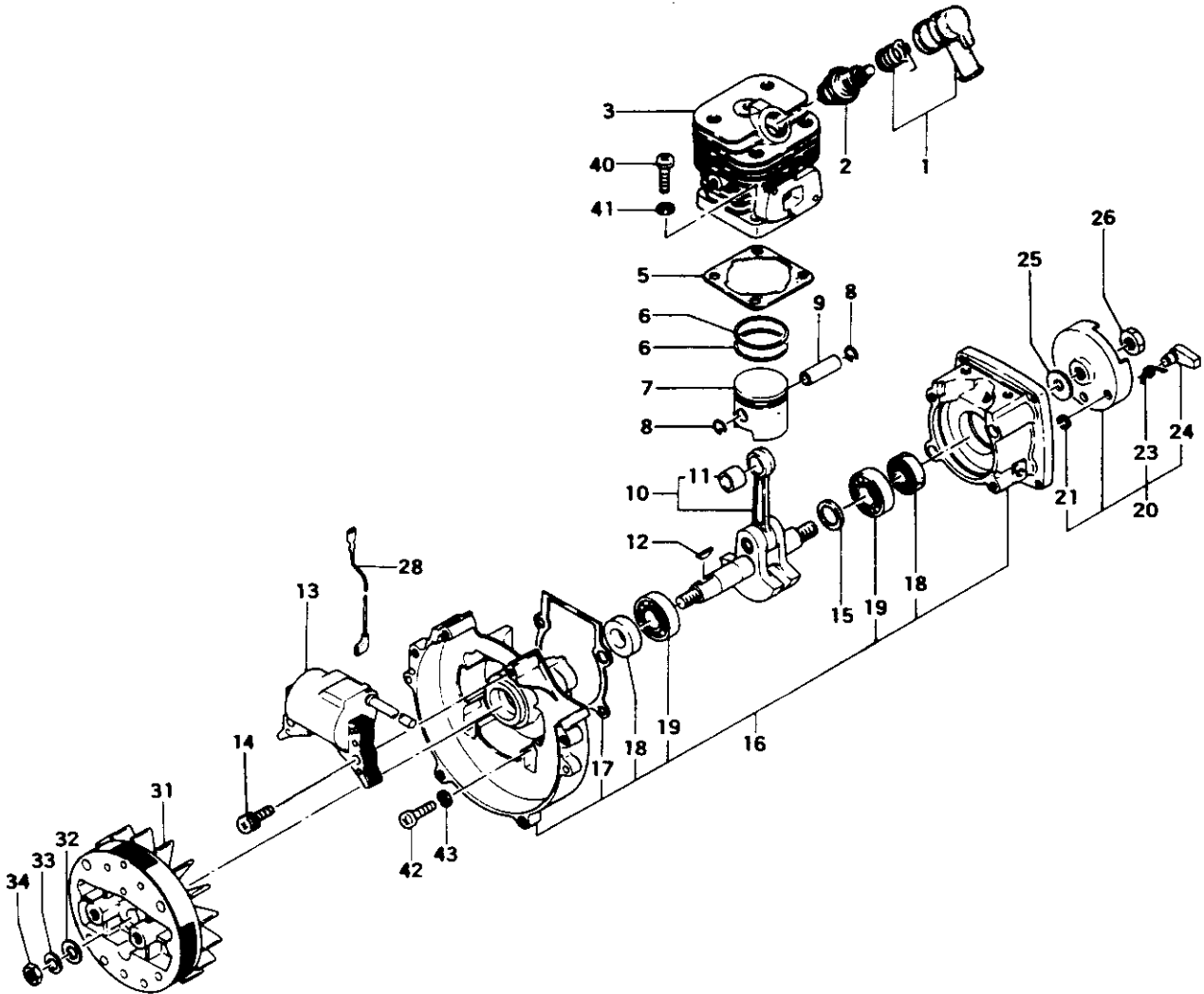


Telescopic Shaft Trimmer

Model: TST-218

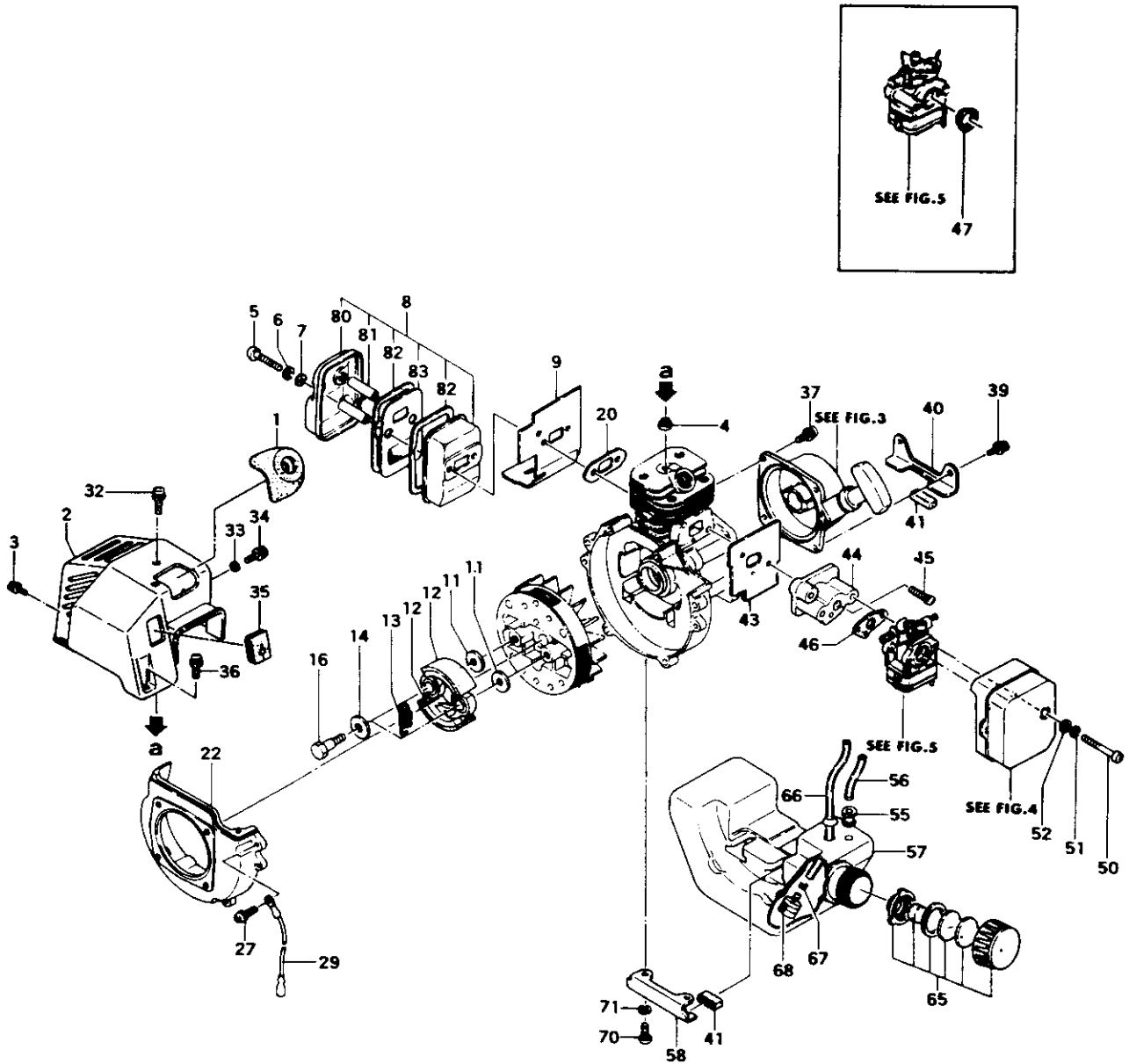
Units Prior To Serial No. J 075260

FIG.1 ENGINE



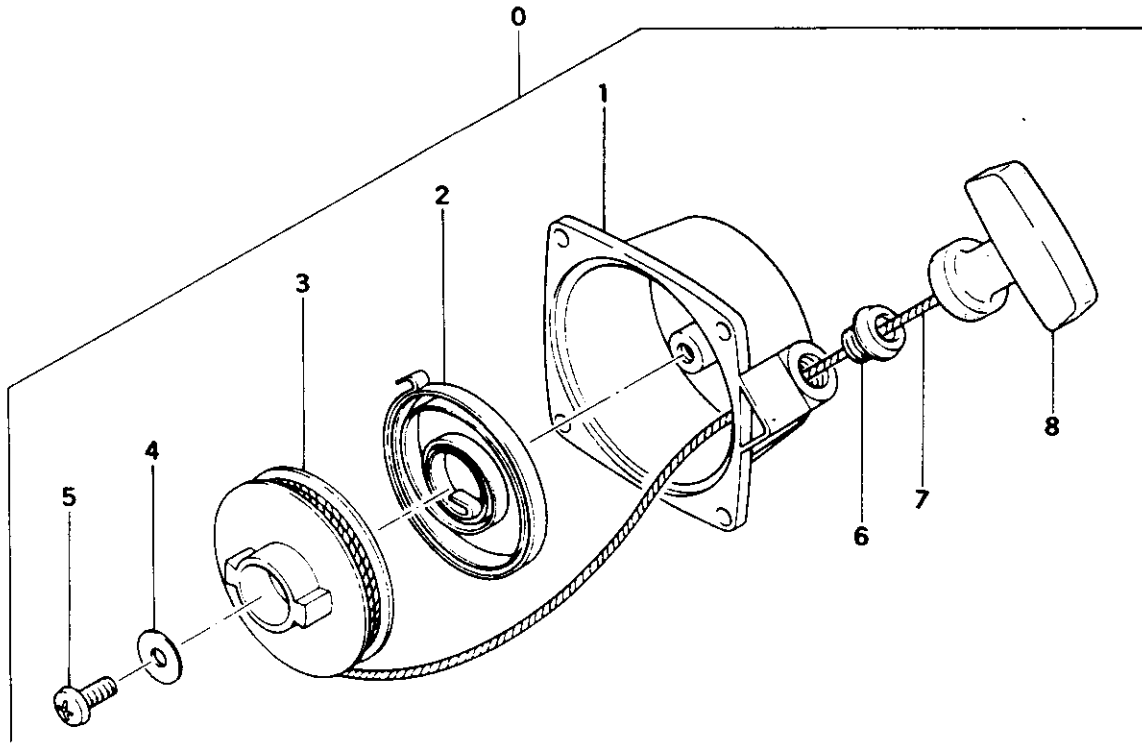
| REF. NBR | PART NBR | PART NAME | QTY | SERIAL NBR | REMARKS |
|----------|---------------|-----------------------------|-----|------------|---------|
| 1-001 | 157-11666-900 | SPARK PLUG CAP ASS'Y | 1 | | |
| 1-002 | 018-01805-200 | SPARK PLUG CJ8 | 1 | | |
| 1-003 | 002-0630R-200 | CYLINDER | 1 | | |
| 1-005 | 017-06091-201 | CYLINDER GASKET | 1 | | |
| 1-006 | 041-00000-200 | PISTON RING | 2 | I -H126860 | |
| 1-006 | 041-00000-210 | PISTON RING | 2 | H126861- | |
| 1-007 | 031-06400-200 | PISTON | 1 | | |
| 1-008 | 039-06100-200 | CIR CLIP | 2 | | |
| 1-009 | 037-06097-200 | PISTON PIN | 1 | | |
| 1-010 | 046-06400-800 | CRANK SHAFT COMP. | 1 | | |
| 1-011 | 999-62071-127 | NEEDLE BEARING F-79 | 1 | | |
| 1-012 | 068-10100-200 | WOOD-RUFF KEY 3X13X4.5 | 1 | | |
| 1-013 | 167-21852-800 | IGNITION COIL COMP. | 1 | I -H104350 | |
| 1-013 | 167-21952-800 | IGNITION COIL COMP. | 1 | H104351- | |
| 1-014 | 994-16040-226 | SCREW 4X22/WS | 2 | | |
| 1-015 | 330-00200-210 | GEAR SHAFT SHIM 0.10 | V | | |
| 1-015 | 330-00200-220 | GEAR SHAFT SHIM 0.15 | V | | |
| 1-015 | 330-00200-230 | GEAR SHAFT SHIM 0.20 | V | | |
| 1-015 | 330-00200-240 | GEAR SHAFT SHIM 0.30 | V | | |
| 1-016 | 072-0630B-901 | CRANK CASE ASS'Y | 1 | | |
| 1-017 | 090-06097-200 | CRANK CASE GASKET | 1 | | |
| 1-018 | 999-66122-266 | OIL SEAL 12227 | 2 | | |
| 1-019 | 999-61600-100 | BALL BEARING #6001, 28MM/OD | 2 | | |
| 1-020 | 798-06097-900 | STARTER PULLEY ASS'Y | 1 | | |
| 1-021 | 993-55050-000 | STOP RING 5 | 1 | | |
| 1-023 | 790-06097-200 | STARTER PAWL SPRING | 1 | | |
| 1-024 | 788-06097-200 | STARTER PAWL | 1 | | |
| 1-025 | 359-10112-203 | CLUTCH WASHER B | 1 | | |
| 1-026 | 991-01080-011 | HEX. NUT 8 | 1 | | |
| 1-028 | 178-0137H-810 | STOP CORD COMP. | 1 | -H255950 | |
| 1-028 | 178-0136H-800 | STOP CORD COMP. | 1 | N H255951- | |
| 1-031 | 155-21713-810 | MAGNETO ROTOR COMP. | 1 | | |
| 1-032 | 065-00000-200 | FLYVHEEL WASHER | 1 | | |
| 1-033 | 992-10070-012 | S. WASHER 7 | 1 | | |
| 1-034 | 991-01070-011 | NUT 7 | 1 | | |
| 1-040 | 990-11050-181 | SCREW 5X18 | 4 | | |
| 1-041 | 992-10050-012 | S. WASHER 5 | 4 | | |
| 1-042 | 990-11050-251 | SCREW 5X25 | 4 | | |
| 1-043 | 992-10050-012 | S. WASHER 5 | 4 | | |

FIG.2 ENGINE COMPONENTS



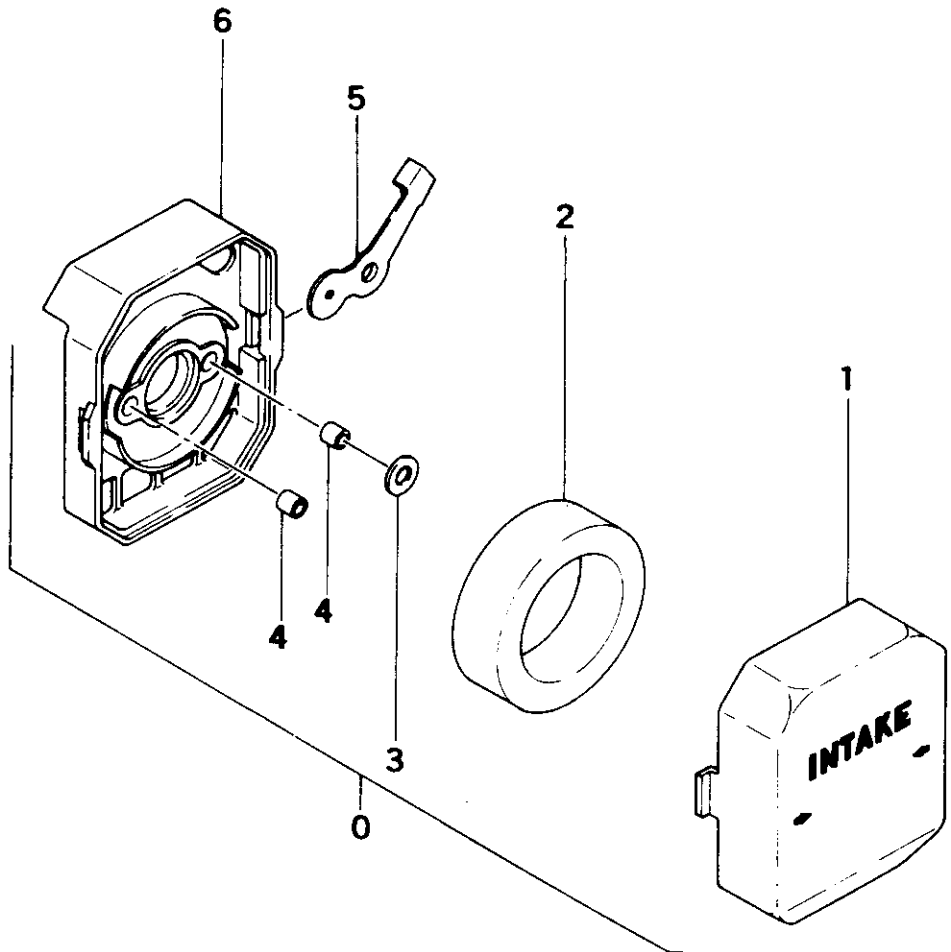
| REF. NBR | PART NBR | PART NAME | QTY | SERIAL NBR | REMARKS |
|----------|---------------|-------------------------------|-----|------------|----------|
| 2-001 | 255-0630G-210 | SPARK PLUG RUBBER COVER | 1 | | |
| 2-002 | 738-0630B-210 | MUFFLER PROTECTOR | 1 | | |
| 2-003 | 994-15040-122 | SCREW 4X12/PS | 1 | | |
| 2-004 | 011-0630B-200 | CYLINDER COVER COLLAR | 1 | | |
| 2-005 | 990-11050-451 | SCREW 5X45 | 2 | | |
| 2-006 | 992-10050-012 | S.WASHER 5 | 2 | | |
| 2-007 | 992-00050-011 | SMALL WASHER 5 | 2 | | |
| 2-008 | 706-0630R-900 | MUFFLER ASSY. W/NET | 1 | | |
| 2-009 | 133-0630R-200 | INSULATOR | 1 | | |
| 2-011 | 359-02103-200 | CLUTCH WASHER B | 2 | | |
| 2-012 | 290-00501-802 | CLUTCH SHOE COMP. | 2 | | |
| 2-013 | 342-0630B-200 | CLUTCH SPRING | 1 | | |
| 2-014 | 358-02103-200 | WASHER | 2 | | |
| 2-016 | 357-00601-200 | STEP BOLT | 2 | | |
| 2-020 | 737-06100-210 | MUFFLER GASKET | 1 | | |
| 2-022 | 112-0630M-200 | FAN CASE | 1 | | |
| 2-027 | 994-14050-162 | SCREW 5X16/S | 4 | | |
| 2-029 | 274-0630R-800 | EARTH CORD COMP. | 1 | D | H255661- |
| 2-032 | 994-15050-162 | SCREW 5X16/PS | 1 | | |
| 2-033 | 011-0630B-200 | CYLINDER COVER COLLAR | 1 | | |
| 2-034 | 994-15050-162 | SCREW 5X16/PS | 1 | | |
| 2-035 | 203-0630B-201 | PRIMARY CORD GROMMET | 1 | | |
| 2-036 | 994-15050-142 | SCREW 5X14/PS | 1 | M | |
| 2-036 | 994-15050-122 | SCREW 5X12/PS | 1 | | |
| 2-037 | 994-15040-122 | SCREW 4X12/PS | 2 | | |
| 2-039 | 994-15040-142 | SCREW 4X14/PS | 2 | | |
| 2-040 | 653-0630B-202 | TANK BRACKET | 1 | | |
| 2-041 | 655-0630B-200 | TANK BRACKET RUBBER | 4 | | |
| 2-043 | 403-0631A-200 | INLET MANIFOLD GASKET | 1 | I | -J074960 |
| 2-043 | 403-0631A-201 | INLET MANIFOLD GASKET | 1 | | J074961- |
| 2-044 | 404-0631A-800 | CARBURETOR INSULATOR COMP. | 1 | | |
| 2-045 | 994-16050-221 | SCREW 5X22/VS | 2 | | |
| 2-046 | 402-0602K-200 | CARBURETOR GASKET | 1 | | -J074960 |
| 2-046 | 402-0602K-201 | CARBURETOR GASKET | 1 | P | J074961- |
| 2-047 | 431-0602K-200 | AIR CLEANER GASKET | 1 | D | H255661- |
| 2-050 | 990-11050-551 | SCREW 5X55 | 2 | | |
| 2-051 | 992-10050-012 | S.WASHER 5 | 2 | | |
| 2-052 | 992-00050-011 | SMALL WASHER 5 | 2 | | |
| 2-055 | 534-32710-200 | RETURN GROMMET | 1 | | |
| 2-056 | 700-02504-085 | FUEL PIPE 2.5X4X85 | 1 | | -H126860 |
| 2-056 | 700-02504-070 | FUEL PIPE 2.5X4X70 | 1 | P | -H255660 |
| 2-056 | 700-02504-045 | FUEL PIPE 2.5X4X45 | 1 | M | H255661- |
| 2-057 | 591-0630R-200 | FUEL TANK | 1 | | -H255660 |
| 2-057 | 591-0630R-201 | FUEL TANK | 1 | N | H255661- |
| 2-058 | 654-0630B-200 | TANK BRACKET B | 1 | | |
| 2-065 | 595-0062A-910 | TANK CAP ASS'Y | 1 | M | |
| 2-065 | 595-0062A-901 | TANK CAP ASS'Y | 1 | | |
| 2-066 | 233-0162B-900 | SHEILD TUBE ASSY | 1 | M | |
| 2-066 | 223-0162B-900 | FUEL PIPE ASS'Y | 1 | | |
| 2-067 | 680-00731-201 | CLIP | 1 | | |
| 2-068 | 675-11600-900 | PUMP FILTER BODY ASS'Y | 1 | | |
| 2-070 | 990-11050-101 | SCREW 5X10 | 2 | | |
| 2-071 | 992-10050-012 | S.WASHER 5 | 2 | | |
| 2-080 | 717-0608A-200 | MUFFLER BODY B | 1 | M | |
| 2-080 | 717-0630R-800 | MUFFLER BODY B COMP. | 1 | | |
| 2-081 | 740-0602B-201 | MUFFLER COLLAR | 2 | | |
| 2-082 | 739-0602B-200 | MUFFLER COUPLING GASKET | 2 | | |
| 2-083 | 722-0602B-800 | MUFFLER PARTITION PLATE COMP. | 1 | | |

FIG.3 RECOIL STARTER



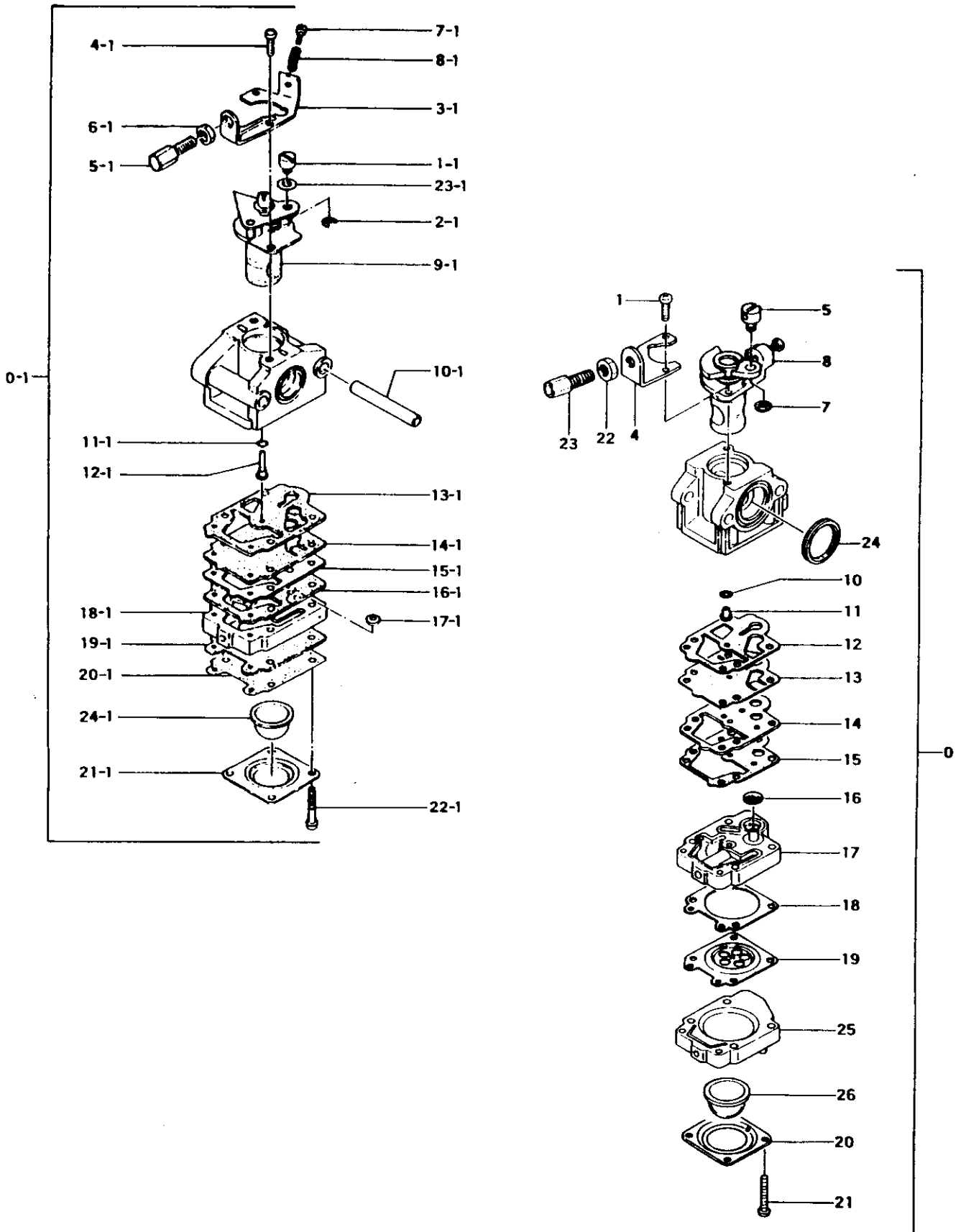
| REF. NBR | PART NBR | PART NAME | QTY | SERIAL NBR | REMARKS |
|----------|---------------|---------------------------|-----|------------|---------|
| 3-000 | 762-06097-902 | RECOIL STARTER BODY ASS'Y | 1 | | |
| 3-001 | 772-06097-202 | RECOIL STARTER BODY | 1 | | |
| 3-002 | 780-06097-200 | RECOIL SPRING | 1 | | |
| 3-003 | 774-06097-200 | STARTER ROPE REEL | 1 | | |
| 3-004 | 801-06091-200 | ROPE REEL WASHER | 1 | | |
| 3-005 | 990-15050-128 | SCREW 5X12 | 1 | | |
| 3-006 | 782-06097-200 | ROPE GUIDE | 1 | | |
| 3-007 | 783-06097-200 | STARTER ROPE | 1 | | |
| 3-008 | 785-06097-200 | STARTER HANDLE | 1 | | |

FIG.4 AIR CLEANER



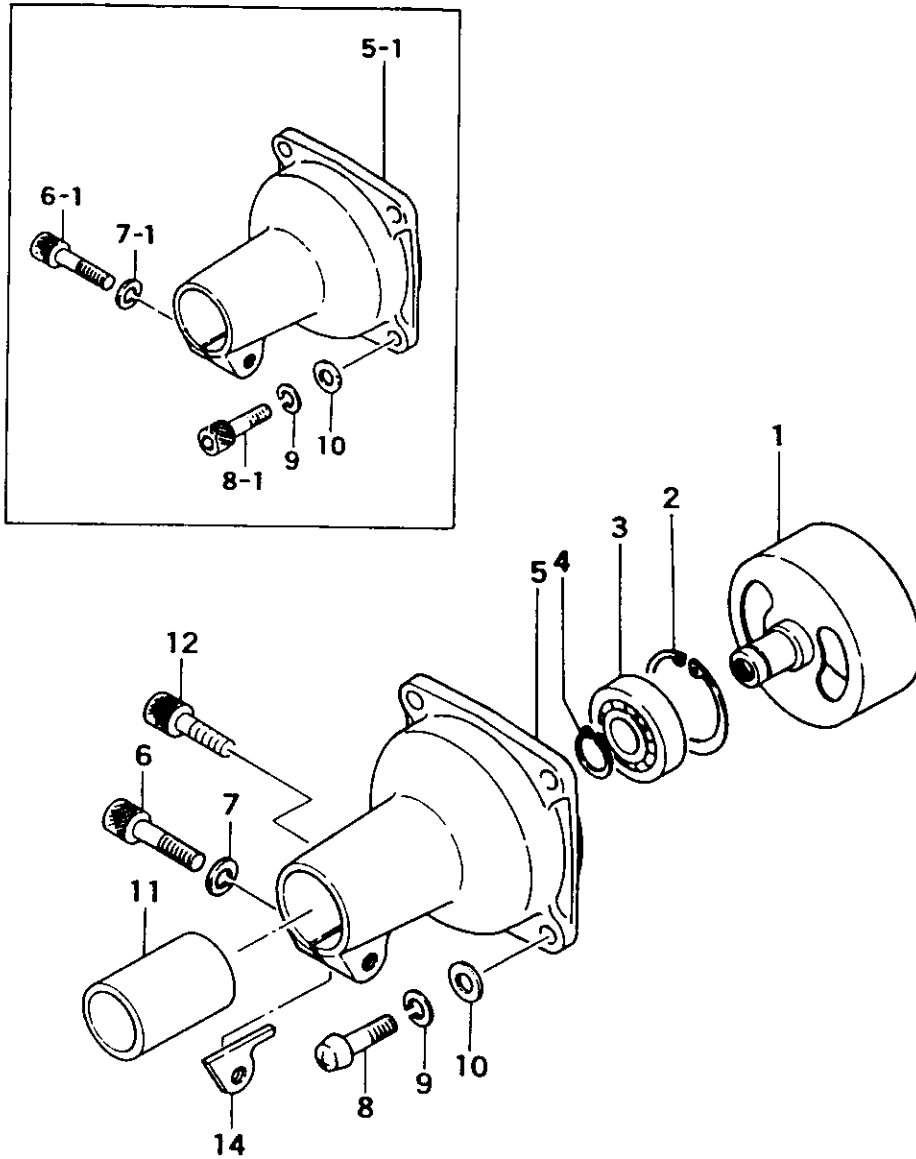
| REF. NBR | PART NBR | PART NAME | QTY | SERIAL NBR | REMARKS |
|----------|---------------|------------------------|-----|------------|---------|
| 4-000 | 410-0602D-901 | AIR CLEANER ASS'Y | 1 | | |
| 4-001 | 424-0802K-201 | AIR CLEANER CAP | 1 | | |
| 4-002 | 446-0602K-200 | CLEANER ELEMENT | 1 | | |
| 4-003 | 453-0802K-200 | SPACER | 1 | | |
| 4-004 | 470-0602K-200 | COLLAR | 2 | | |
| 4-005 | 528-0602D-200 | CHOKE PLATE.V/2MM HOLE | 1 | | |
| 4-006 | 423-0602K-210 | CLEANER BODY | 1 | | |

FIG.5 CARBURETOR



| REF. NBR | PART NBR | PART NAME | QTY | SERIAL NBR | REMARKS |
|----------|---------------|--------------------------|-----|------------|---------|
| 5-000.1 | 455-25117-900 | CARBURETOR ASSY. VY-54 | 1 | -W255660 | |
| 5-000 | 455-25129-900 | CARBURETOR ASS'Y. VYJ-6 | 1 | P W255661- | |
| 5-001.1 | 539-25101-200 | SWIVEL | 1 | | |
| 5-002.1 | 489-25100-200 | STOP RING | 1 | | |
| 5-003.1 | 544-25100-200 | ADJUSTER STAY | 1 | | |
| 5-004.1 | 514-25100-200 | THROTTLE SET SCREW | 2 | | |
| 5-005.1 | 614-25100-200 | CABLE ADJUSTER | 1 | | |
| 5-006.1 | 613-25100-200 | CABLE ADJUST NUT | 1 | | |
| 5-007.1 | 462-25100-201 | IDLE ADJUST SCREW | 1 | | |
| 5-008.1 | 463-25100-200 | IDLE ADJUST SPRING | 1 | | |
| 5-009.1 | 488-25106-800 | THROTTLE VALVE COMP. | 1 | | |
| 5-010.1 | 437-25100-200 | SLEEVE | 2 | | |
| 5-011.1 | 550-25100-200 | O-RING | 1 | | |
| 5-012.1 | 599-2000V-430 | MAIN JET #43 | 1 | R -W126860 | |
| 5-012.1 | 599-2000V-440 | MAIN JET #44 | 1 | -W255660 | |
| 5-013.1 | 577-25100-200 | PUMP GASKET | 1 | | |
| 5-014.1 | 576-25100-200 | PUMP DIAPHRAGM | 1 | | |
| 5-015.1 | 523-25100-201 | PUMP PLATE | 1 | | |
| 5-016.1 | 522-25100-200 | CIRCUIT PLATE | 1 | | |
| 5-017.1 | 578-25007-200 | INLET SCREEN | 1 | | |
| 5-018.1 | 575-25100-810 | PUMP BODY COMP. | 1 | | |
| 5-019.1 | 475-25016-200 | DIAPHRAGM GASKET | 1 | | |
| 5-020.1 | 474-25001-800 | METERING DIAPHRAGM COMP. | 1 | | |
| 5-021.1 | 452-25105-200 | PRIMER PUMP COVER | 1 | | |
| 5-022.1 | 548-25117-200 | SET SCREW | 4 | | |
| 5-023.1 | 549-25100-200 | THRUST WASHER | 1 | | |
| 5-024.1 | 447-25108-200 | PRIMING BODY | 1 | | |
| 5-001 | 514-25100-200 | THROTTLE SET SCREW | 2 | | |
| 5-004 | 544-25120-200 | CABLE ADJUST STAY | 1 | | |
| 5-005 | 539-25120-200 | SWIVEL | 1 | | |
| 5-007 | 489-25100-200 | STOP RING | 1 | | |
| 5-008 | 488-25129-800 | THROTTLE VALVE COMP. | 1 | | |
| 5-010 | 550-25100-200 | O-RING | 1 | | |
| 5-011 | 599-2000V-420 | MAIN JET #42 | 1 | | |
| 5-012 | 577-25100-200 | PUMP GASKET | 1 | | |
| 5-013 | 576-25100-200 | PUMP DIAPHRAGM | 1 | | |
| 5-014 | 523-25100-201 | PUMP PLATE | 1 | | |
| 5-015 | 522-25100-200 | CIRCUIT PLATE | 1 | | |
| 5-016 | 578-25007-200 | INLET SCREEN | 1 | | |
| 5-017 | 575-25129-800 | PUMP BODY COMP. | 1 | | |
| 5-018 | 475-25016-200 | DIAPHRAGM GASKET | 1 | | |
| 5-019 | 474-25001-800 | METERING DIAPHRAGM COMP. | 1 | | |
| 5-020 | 476-25016-200 | DIAPHRAGM COVER | 1 | | |
| 5-021 | 548-25117-200 | SET SCREW | 4 | | |
| 5-022 | 613-25100-200 | CABLE ADJUST NUT | 1 | | |
| 5-023 | 614-25100-200 | CABLE ADJUSTER | 1 | | |
| 5-024 | 431-0634C-200 | CLEANER PACKING | 1 | | |
| 5-025 | 454-25129-800 | AIR PURGE COMP. | 1 | | |
| 5-026 | 447-25108-200 | PRIMING BODY | 1 | | |

FIG.6 CLUTCH CASE

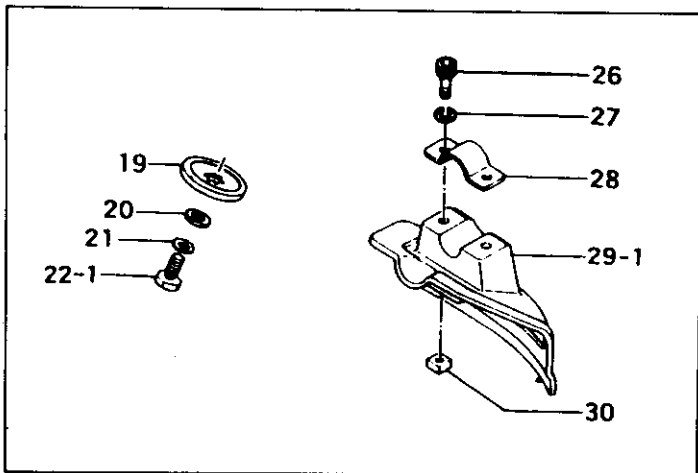
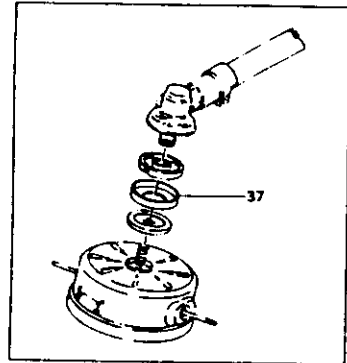
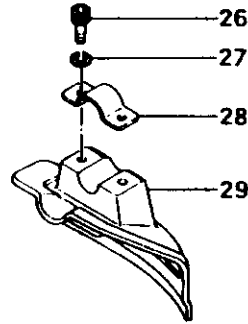
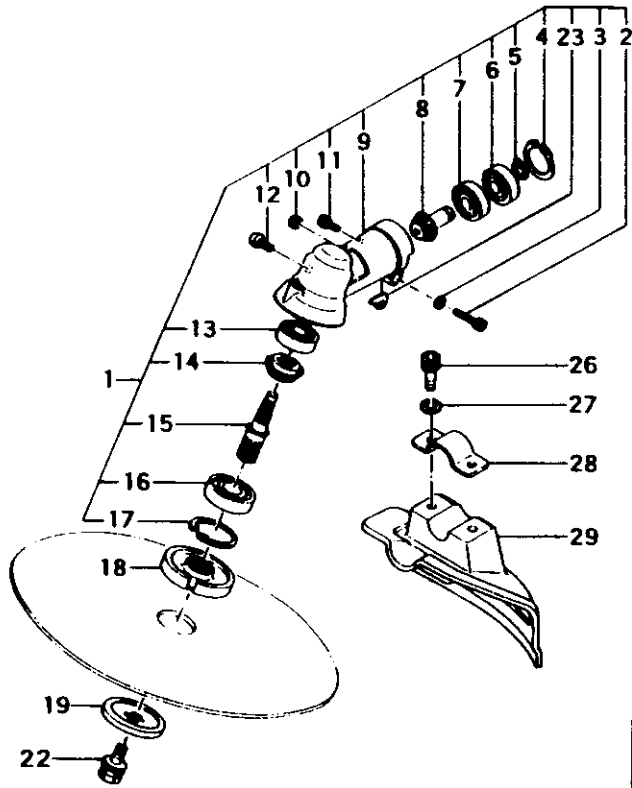


| REF. NBR | PART NBR | PART NAME | QTY | SERIAL NBR | REMARKS |
|----------|---------------|-------------------------------|-----|------------|---------|
| 6-001 | 332-33410-804 | CLUTCH DRUM COMP. | 1 | | |
| 6-002 | 993-51032-002 | STOP RING C-32 IN | 1 | | |
| 6-003 | 999-81620-104 | BALL BEARING #6201DD, 32MM/OD | 1 | | |
| 6-004 | 993-50012-002 | STOP RING C-12 EX | 1 | | |
| 6-005,1 | 331-37500-200 | CLUTCH CASE | 1 | -H255660 | |
| 6-005 | 331-37500-210 | CLUTCH CASE | 1 | N H255661- | |
| 6-006,1 | 990-51060-253 | HEX. HOLE BOLT 6X25 | 1 | -H255660 | |
| 6-006 | 990-51050-253 | HEX. HOLE BOLT 5X25 | 1 | N H255661- | |
| 6-007,1 | 992-10060-062 | S.WASHER 6 | 1 | -H255660 | |
| 6-007 | 992-10050-062 | S.WASHER 5 | 1 | N H255661- | |
| 6-008,1 | 990-51060-203 | HEX. HOLE BOLT 6X20 | 4 | -H255660 | |
| 6-008 | 990-53060-203 | HEX. HOLE SCREW 6X20 | 4 | N H255661- | |
| 6-009 | 992-10060-062 | S.WASHER 6 | 4 | | |
| 6-010 | 992-01060-061 | WASHER 6 | 4 | | |
| 6-011 | 599-0630M-200 | ANTI-VIBE RUBBER | 1 | N H255661- | |
| 6-012 | 990-51050-153 | HEX. HOLE BOLT 5X15 | 1 | N H255661- | |
| 6-014 | 324-37300-200 | GEAR CASE WASHER | 1 | N H255661- | |

| REF. NBR | PART NBR | PART NAME | QTY | SERIAL NBR | REMARKS |
|----------|---------------|-----------------------------|-----|------------|---------|
| 7-001 | 503-37100-200 | HANDLE GRIP, RIGHT | 1 | I -H104350 | |
| 7-001 | 503-37113-200 | HANDLE GRIP, RIGHT | 1 | D -H255660 | |
| 7-001 | 503-37113-200 | HANDLE GRIP, RIGHT | 1 | D H255661- | |
| 7-002 | 500-37503-200 | HANDLE | 1 | D H255661- | |
| 7-003 | 870-37101-900 | THROTTLE LEVER ASS'Y | 1 | | |
| 7-004 | 891-37500-800 | LOCK HANDLE COMP. | 1 | D H255661- | |
| 7-005 | 992-01080-061 | WASHER 8 | 1 | D H255661- | |
| 7-006 | 508-37500-200 | HANDLE BRACKET C | 1 | D H255661- | |
| 7-007 | 507-37500-200 | HANDLE BRACKET B | 1 | D H255661- | |
| 7-008 | 506-37500-200 | HANDLE BRACKET A | 1 | D H255661- | |
| 7-009 | 511-37500-200 | HANDLE SPACER | 2 | D H255661- | |
| 7-010 | 515-37100-200 | HANDLE GRIP (LEFT) | 1 | I -H104350 | |
| 7-010 | 165-33130-200 | HANDLE GRIP A | 1 | -H255660 | |
| 7-010 | 165-33130-200 | HANDLE GRIP A | 1 | D H255661- | |
| 7-011 | 499-37100-200 | PIPE GROMMET | 1 | D H255661- | |
| 7-016 | 335-37500-800 | LIFTING METAL COMP. | 1 | | |
| 7-017 | 992-10050-062 | S.WASHER 5 | 1 | | |
| 7-018 | 990-51050-123 | HEX. HOLE BOLT 5X12 | 1 | | |
| 7-019 | 341-37500-200 | DRIVE SHAFT PIPE | 1 | R -H255660 | |
| 7-019 | 341-37500-210 | DRIVE SHAFT PIPE | 1 | H255661- | |
| 7-020 | 035-37500-210 | DRIVE SHAFT A | 1 | | |
| 7-021 | 384-37500-200 | BEARING HOLDER SPRING A | 1 | | |
| 7-022 | 999-61698-001 | BALL BEARING 698ZZ, 19MM/OD | 2 | | |
| 7-023 | 382-37500-200 | BEARING HOLDER | 2 | | |
| 7-024 | 385-37500-200 | BEARING HOLDER SPRING B | 1 | | |
| 7-025 | 355-37500-820 | DRIVE SHAFT ADAPTOR | 1 | | |
| 7-026 | 290-37500-200 | PIPE BUSHING | 1 | | |
| 7-027 | 280-37500-201 | JOINT CASE | 1 | | |
| 7-028 | 992-10060-062 | S.WASHER 6 | 1 | | |
| 7-029 | 990-51060-223 | HEX. HOLE BOLT 6X22 | 1 | I -H255660 | |
| 7-029 | 990-53060-223 | HEX. HOLE SCREW 6X22 | 1 | H255661- | |
| 7-030 | 991-74080-040 | U NUT 8 | 1 | | |
| 7-031 | 992-01080-061 | WASHER 8 | 1 | | |
| 7-032 | 890-37500-800 | LOCK HANDLE COMP. | 1 | | |
| 7-033 | 036-37500-801 | DRIVE SHAFT B COMP. | 1 | | |
| 7-034 | 352-37500-800 | DRIVE SHAFT PIPE B COMP. | 1 | | |
| 7-035 | 347-37500-900 | BUSHING ASS'Y | 3 | | |
| 7-040 | 993-42030-081 | TAPPING SCREW 3X8 | 2 | M | |
| 7-040 | 993-42030-081 | TAPPING SCREW 3X8 | 3 | | |
| 7-041 | 162-37101-200 | STOP SWITCH | 1 | | |
| 7-042 | 259-37101-200 | STOP SWITCH BASE | 1 | | |
| 7-043 | 262-37101-200 | STOP SWITCH SPRING | 1 | | |
| 7-044 | 177-37101-200 | EARTH TERMINAL B | 1 | | |
| 7-045 | 176-37101-200 | EARTH TERMINAL A | 1 | | |
| 7-046 | 991-86050-000 | SELF-LOCK NUT 5 | 1 | | |
| 7-047 | 993-55060-001 | STOP RING 6 | 1 | | |
| 7-048 | 994-31050-251 | SCREW 5X25 | 1 | | |
| 7-049 | 853-37101-200 | LOCK BUTTON SHAFT | 1 | | |
| 7-050 | 958-37101-200 | LOCK BUTTON SPRING | 1 | | |
| 7-051 | 956-37101-200 | LOCK BUTTON | 1 | | |
| 7-052 | 832-37101-200 | RETURN SPRING | 1 | | |
| 7-053 | 880-37101-200 | THROTTLE ARM | 1 | | |
| 7-059 | 336-33800-810 | CUSHION RUBBER COMP. | 1 | D H255661- | |
| 7-060 | 164-13046-000 | PROTECTION TUBE 13X460L | 1 | D H255661- | |
| 7-061 | 178-37503-801 | STOP CORD COMP. | 2 | D H255661- | |
| 7-065 | 496-37505-200 | U-HANDLE | 1 | M H255661- | |
| 7-066 | 503-37113-200 | HANDLE GRIP, RIGHT | 1 | N H255661- | |
| 7-067 | 506-37304-211 | HANDLE BRACKET A | 1 | N H255661- | |
| 7-068 | 992-10050-062 | S.WASHER 5 | 4 | N H255661- | |
| 7-069 | 990-51050-253 | HEX. HOLE BOLT 5X25 | 4 | N H255661- | |
| 7-070 | 507-37304-203 | HANDLE BRACKET B | 1 | N H255661- | |
| 7-071 | 511-37505-200 | HANDLE SPACER | 1 | N H255661- | |
| 7-072 | 508-37304-211 | HANDLE BRACKET C | 1 | N H255661- | |

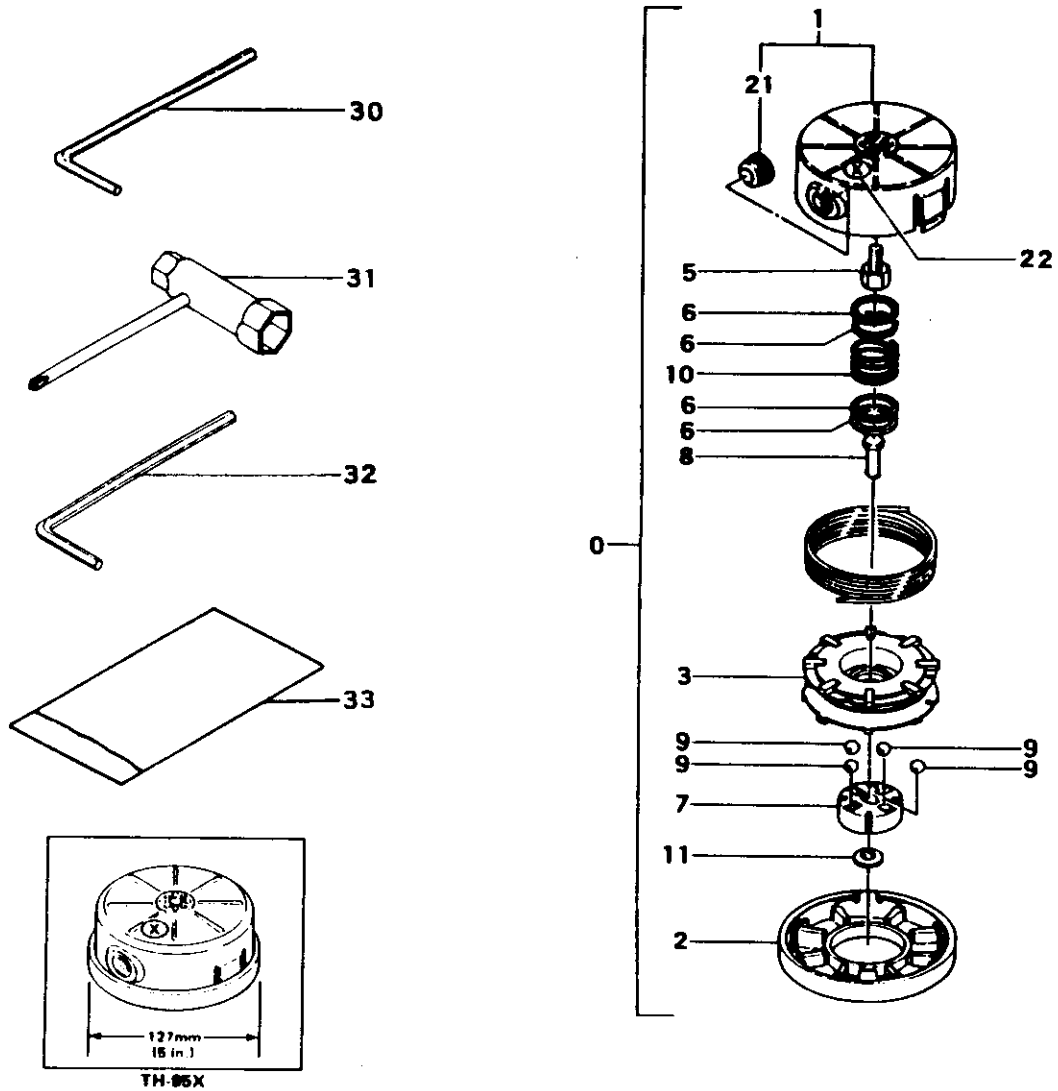
| REF. NBR | PART NBR | PART NAME | QTY | SERIAL NBR | REMARKS |
|----------|---------------|--------------------------------|-----|------------|---------|
| 7-073 | 992-10060-062 | S.WASHER 6 | 2 | H 255661- | |
| 7-074 | 990-53060-253 | HEX. HOLE SCREW 6X25 | 2 | N H255661- | |
| 7-075 | 499-37100-200 | PIPE GROMMET | 2 | N H255661- | |
| 7-076 | 178-33317-800 | STOP CORD COMP. | 1 | N H255661- | |
| 7-077 | 274-37504-800 | EARTH CORD COMP. | 1 | N H255661- | |
| 7-078 | 164-13049-000 | PROTECTION TUBE 13X490L | 1 | N H255661- | |
| 7-079 | 198-33130-200 | CORD CLAMP | 1 | N H255661- | |
| 7-080 | 504-37505-200 | SHAFT GRIP | 1 | N H255661- | |
| 7-087 | 885-0630R-801 | THROTTLE WIRE COMP. | 1 | | |
| 7-088 | 164-13012-000 | PROTECTION TUBE 13X120L | 1 | | |
| 7-089 | 746-33407-900 | SHOULDER BELT ASSY,KOREAN MAKE | 1 | | |

FIG.8 GEAR CASE



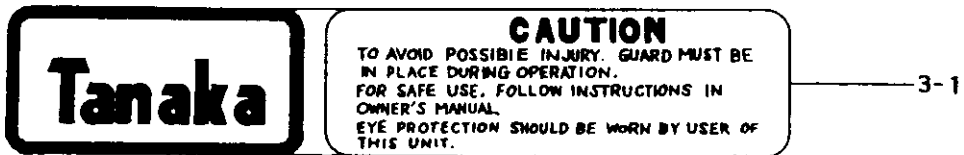
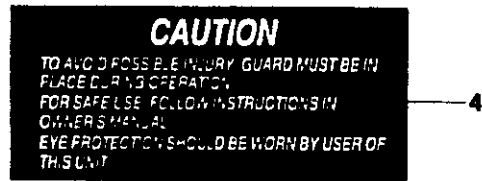
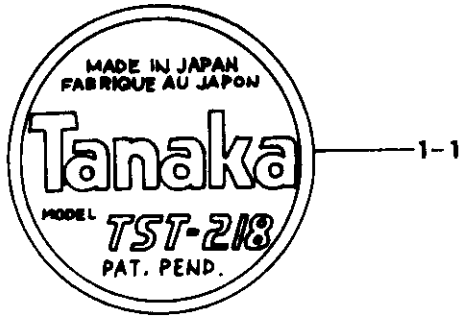
| REF. NBR | PART NBR | PART NAME | QTY | SERIAL NBR | REMARKS |
|----------|---------------|-------------------------------|-----|------------|---------|
| 8-001 | 300-37500-900 | GEAR CASE ASS'Y | 1 | | |
| 8-002 | 990-51050-253 | HEX. HOLE BOLT 5X25 | 1 | | |
| 8-003 | 992-10050-062 | S. WASHER 5 | 1 | | |
| 8-004 | 993-53022-002 | STOP RING R-22 IN | 1 | | |
| 8-005 | 993-50010-002 | STOP RING C-10 EX | 1 | | |
| 8-006 | 999-61690-003 | BALL BEARING 6900D, 22MM/OD | 1 | | |
| 8-007 | 999-61690-000 | BALL BEARING 6900, 22MM/OD | 1 | | |
| 8-008 | 302-37500-201 | PINION | 1 | | |
| 8-009 | 300-37300-200 | GEAR CASE | 1 | -N255660 | |
| 8-009 | 300-37300-201 | GEAR CASE | 1 | P N255661- | |
| 8-010 | 991-01050-041 | NUT 5 | 1 | | |
| 8-011 | 990-51050-103 | HEX. HOLE BOLT 5X10 | 1 | | |
| 8-012 | 990-14080-104 | SCREW 8X10 | 1 | | |
| 8-013 | 999-61626-000 | BALL BEARING 626 , 19MM/OD | 1 | | |
| 8-014 | 301-37300-200 | GEAR | 1 | | |
| 8-015 | 304-37300-200 | GEAR SHAFT | 1 | -N126860 | |
| 8-015 | 304-37300-201 | GEAR SHAFT | 1 | P N126861- | |
| 8-016 | 999-61600-104 | BALL BEARING 6001DD, 28MM/OD | 1 | | |
| 8-017 | 993-51028-002 | STOP RING C-28 IN | 1 | | |
| 8-018 | 310-37300-210 | CUTTER HOLDER | 1 | | |
| 8-019 | 311-37300-202 | CUTTER HOLDER CAP | 1 | | |
| 8-020 | 992-01080-011 | WASHER 8 | 1 | D J074961- | |
| 8-021 | 992-29080-000 | TOOTHED LOCK WASHER 8 L/H | 1 | D J074961- | |
| 8-022, 1 | 312-37300-200 | FIXING BOLT (L.H. THREAD) | 1 | -J074960 | |
| 8-022 | 312-37623-200 | FIXING BOLT (L.H. THREAD) | 1 | P J074961- | |
| 8-023 | 324-37300-200 | GEAR CASE WASHER | 1 | | |
| 8-026 | 990-51050-183 | HEX. HOLE BOLT 5X18 | 2 | | |
| 8-027 | 992-10050-062 | S. WASHER 5 | 2 | | |
| 8-028 | 442-37500-200 | SAFETY GUARD BRACKET | 1 | | |
| 8-028, 1 | 441-37500-200 | SAFETY GUARD | 1 | -J074960 | |
| 8-029 | 441-37500-800 | SAFETY COVER COMP., VERNILION | 1 | P J074961- | |
| 8-030 | 315-37500-200 | SPECIAL NUT | 2 | D J074961- | |
| 8-037 | 307-37301-200 | WINDING PROTECTOR | 1 | | |

FIG.9 TOOLS & NYLON HEAD



| REF. NBR | PART NBR | PART NAME | QTY | SERIAL NBR | REMARKS |
|----------|---------------|--------------------------------|-----|------------|---------|
| 9-000 | 783-33440-901 | NYLON HEAD ASS'Y (TH-95X) | 1 | I -H102680 | |
| 9-000 | 783-33440-902 | NYLON HEAD ASS'Y (TH-95X) | 1 | H102681- | |
| 9-001 | 786-33004-801 | CUTTING BODY COMP. | 1 | I -H102680 | |
| 9-001 | 786-33004-900 | CUTTING BODY ASS'Y | 1 | H102681- | |
| 9-002 | 789-33004-201 | BODY CAP | 1 | | |
| 9-003 | 787-33004-202 | CORD REEL | 1 | | |
| 9-005 | 314-33670-200 | 8X1.25 L/H BOLT (GOLD) | 1 | | |
| 9-006 | 792-33004-200 | REEL WASHER | 4 | | |
| 9-007 | 790-33004-200 | REEL SLIDER | 1 | | |
| 9-008 | 791-33004-200 | REEL SLIDER NOOK | 1 | | |
| 9-009 | 673-35600-200 | STEEL BALL 5/16" | 4 | | |
| 9-010 | 793-33440-200 | REEL SPRING (GOLD) | 1 | | |
| 9-011 | 358-02103-200 | WASHER | 1 | | |
| 9-021 | 788-33071-200 | CORD GUIDE | 2 | N H102681- | |
| 9-022 | 926-33440-200 | IDENTIFICATION MARK, X | 1 | | |
| 9-030 | 813-20000-200 | HEX. WRENCH 4 | 1 | | |
| 9-031 | 829-20000-800 | COMBI. BOX SPANNER 13X19 ,PLUS | 1 | | |
| 9-032 | 814-20000-200 | HEX. WRENCH 5 | 1 | D H255661- | |
| 9-033 | 948-39907-200 | TOOL BAG | 1 | | |

FIG.10 MARKS



| REF. NBR | PART NBR | PART NAME | QTY | SERIAL NBR | REMARKS |
|----------|---------------|---------------------|-----|------------|---------|
| 10-001.1 | 906-0630R-200 | NAME PLATE, TST-218 | 1 | -H255660 | |
| 10-001 | 950-37503-200 | PROFORCE MARK A | 1 | N H255661- | |
| 10-002 | 906-37503-200 | NAME PLATE | 1 | N H255661- | |
| 10-003.1 | 929-33576-201 | SYMBOL MARK | 1 | -H255660 | |
| 10-003 | 951-37503-200 | PROFORCE MARK B | 1 | N H255661- | |
| 10-004 | 919-37701-200 | CAUTION MARK | 1 | N H255661- | |
| 10-005 | 919-37502-201 | CAUTION MARK A | 1 | | |

Free Manuals Download Website

<http://myh66.com>

<http://usermanuals.us>

<http://www.somanuals.com>

<http://www.4manuals.cc>

<http://www.manual-lib.com>

<http://www.404manual.com>

<http://www.luxmanual.com>

<http://aubethermostatmanual.com>

Golf course search by state

<http://golfingnear.com>

Email search by domain

<http://emailbydomain.com>

Auto manuals search

<http://auto.somanuals.com>

TV manuals search

<http://tv.somanuals.com>