

Tanaka Illustrated Parts Manual

Model Number:

TC-47R

47cc ENGINE

P/N 32402

Rev 000

Date 5-18-04

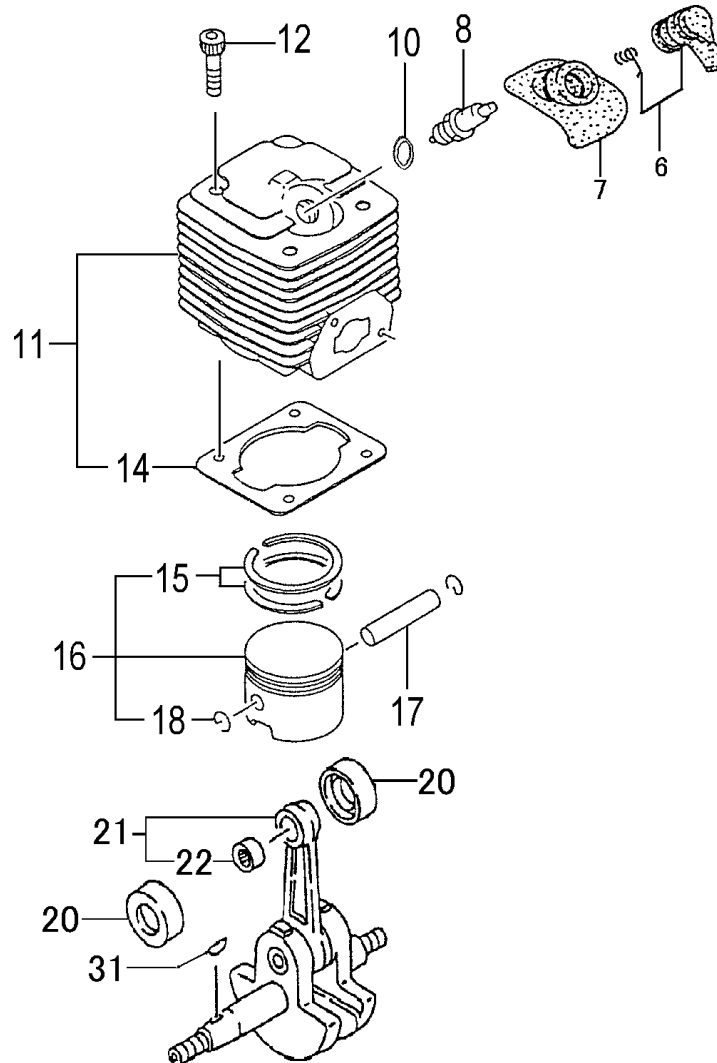


Supplier To The Outdoor Power Equipment Industry

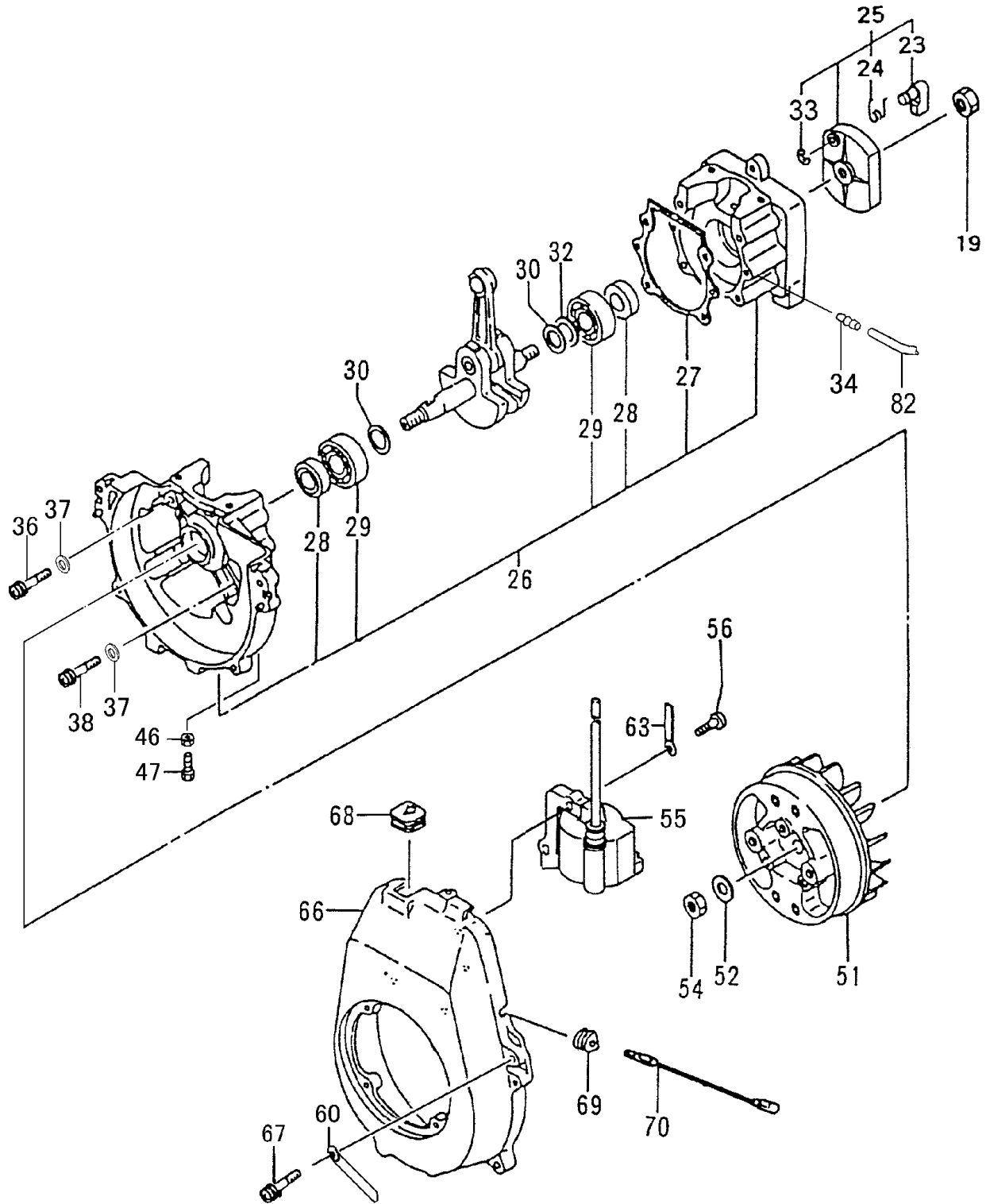
ISM, Inc. • 1028 4th Street SW • Auburn, WA 98001 • Phone: (253) 333-1200 • Fax: (253) 333-1212

www.tanaka-usa.com

custsvc@tanaka-ism.com

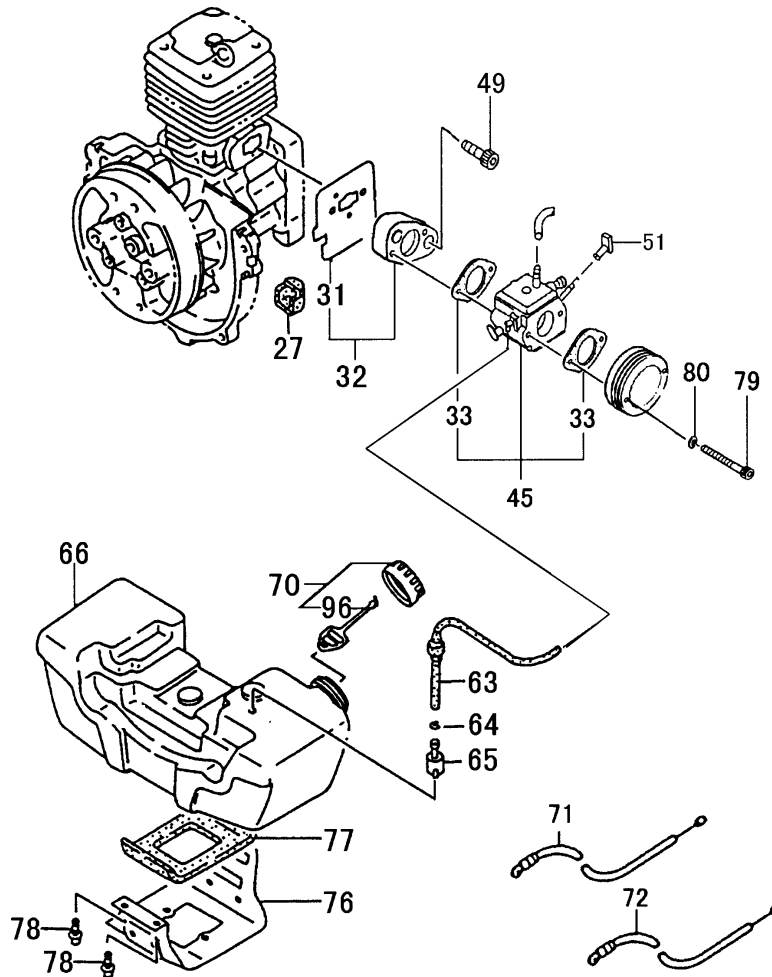


| ITEM | PART NUMBER | DESCRIPTION | QTY | COMMENTS |
|------|-------------|---------------------------|-----|-----------------------------|
| 1-6 | 15711666900 | CAP, SPARK PLUG ASSEMBLY | 1 | |
| 1-7 | 25504200200 | COVER, SPARK PLUG, RUBBER | 1 | |
| 1-8 | 0181166021 | PLUG, SPARK | 1 | |
| 1-10 | 1820425120 | SHIM, SPARK PLUG | 1 | |
| 1-11 | 0010428690 | CYLINDER SET, TC-47R | 1 | Includes cylinder gasket |
| 1-12 | 99461050184 | BOLT, HEX, 5X18, S | 4 | |
| 1-14 | 0170422021 | GASKET, CYLINDER | 1 | |
| 1-15 | 04104090210 | RING, PISTON | 2 | |
| 1-16 | 0300422U90 | PISTON SET | 1 | Includes rings and circlips |
| 1-17 | 03710100200 | PIN, PISTON, 10X35 | 1 | |
| 1-18 | 03901000200 | CIRCLIP, PISTON PIN | 2 | |
| 1-20 | 0360409020 | COLLAR, PISTON PIN | 2 | |
| 1-21 | 0460422080 | CRANKSHAFT | 1 | |
| 1-22 | 99962101480 | BEARING, NEEDLE | 1 | |
| 1-31 | 06802000200 | KEY, WOODRUFF, 3X13X5 | 1 | |

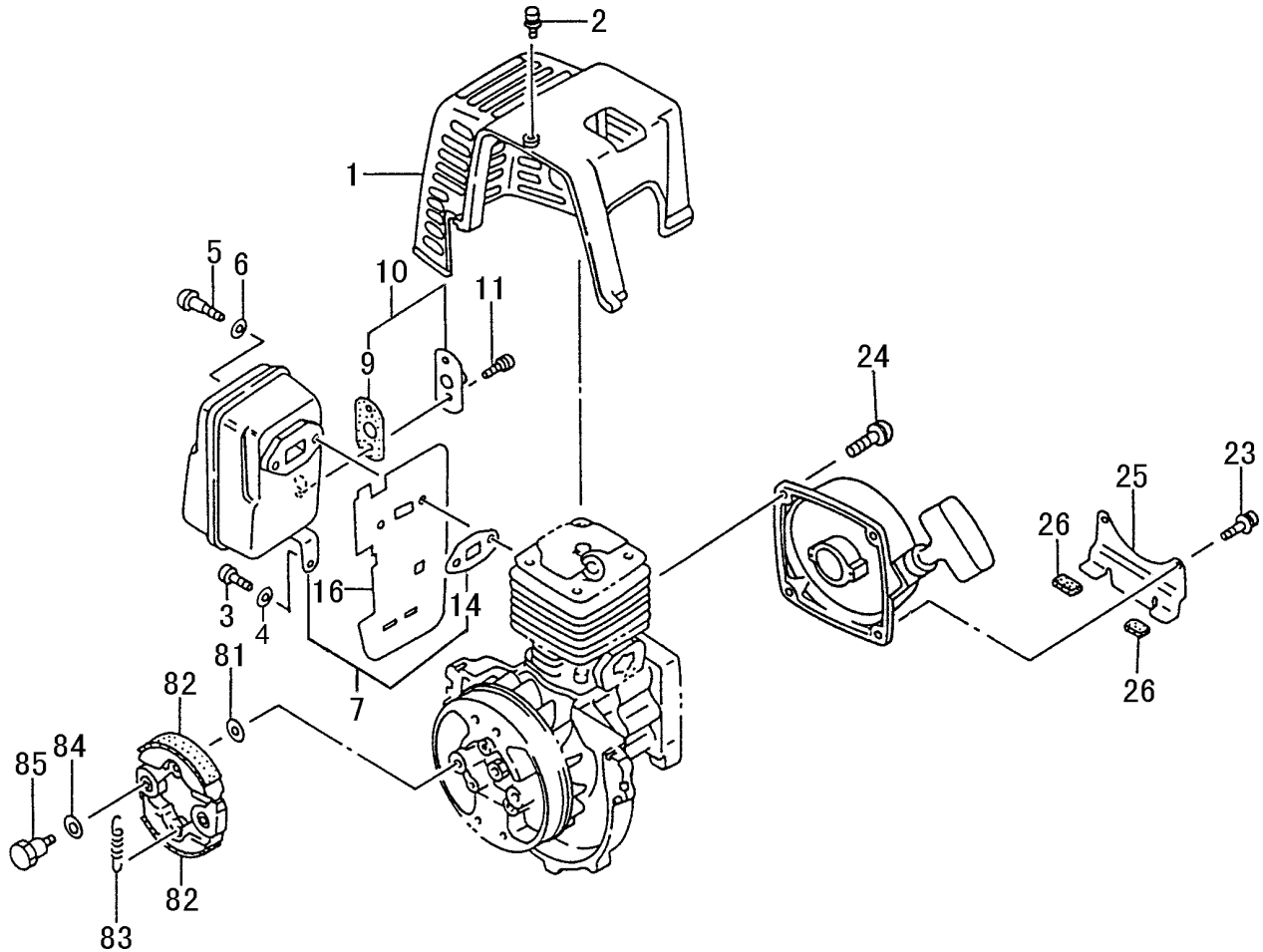


CRANKCASE, FLYWHEEL, STARTER PULLEY • FIGURE 2

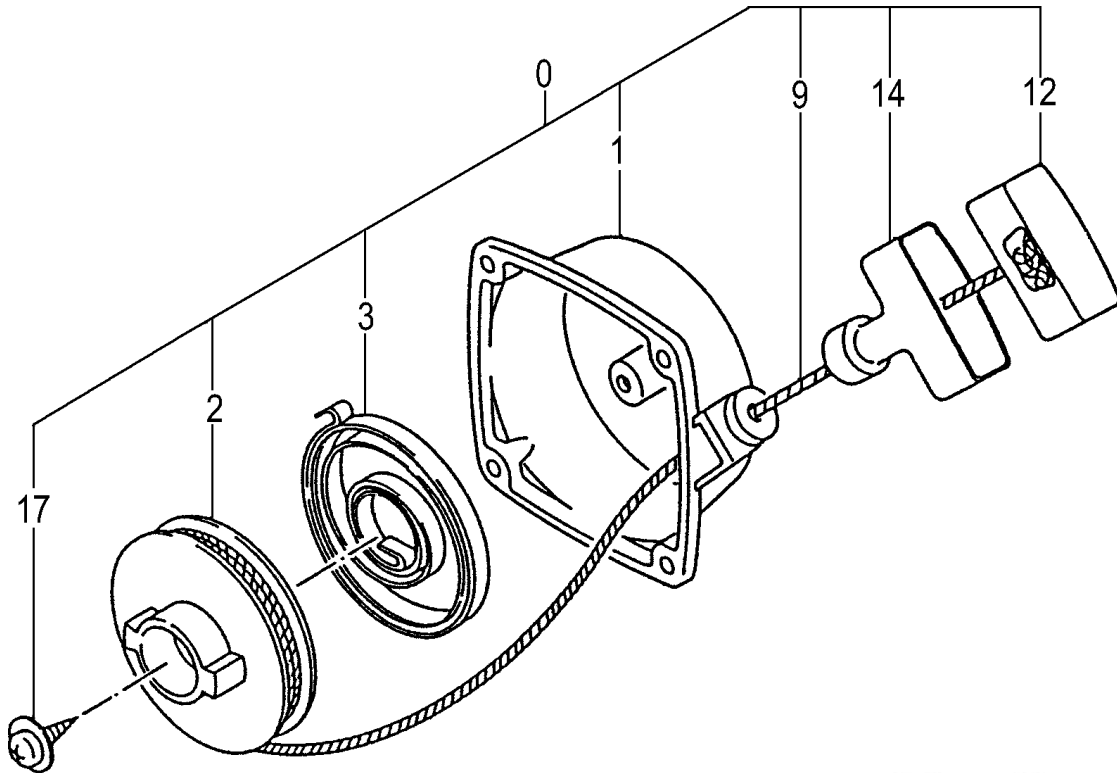
| ITEM | PART NUMBER | DESCRIPTION | QTY | COMMENTS |
|------|-------------|-------------------------|-----|-------------------------------------|
| 2-19 | 99111100013 | NUT,10 | 1 | |
| 2-23 | 7880162V20 | PAWL,STARTER | 1 | |
| 2-24 | 7900162V200 | SPRING,PAWL,STARTER | 1 | |
| 2-25 | 7980422090 | PAWL,STARTER ASS'Y | 1 | |
| 2-26 | 0720428690 | CRANKCASE ASSY,TC-47R | 1 | Includes bearings, seals and gasket |
| 2-27 | 09004200210 | GASKET,CRANKCASE | 1 | |
| 2-28 | 99966152564 | SEAL,OIL,UD15257 | 2 | |
| 2-29 | 99961620200 | BEARING,BALL,#6202 | 2 | |
| 2-30 | 07002401201 | WASHER,CRANKSHAFT 15X22 | 2 | |
| 2-32 | 07102007200 | SHIM,15.2X20X.05 | 1 | |
| 2-32 | 07102007210 | SHIM,15.2X20X.10 | 1 | |
| 2-32 | 07102007220 | SHIM,15.2X20X.15 | 1 | |
| 2-32 | 07111600230 | SHIM,0.20 | 1 | |
| 2-32 | 07111600240 | SHIM,0.30 | 1 | |
| 2-33 | 99355050000 | RING,STOP,5 | 1 | |
| 2-34 | 4221074020 | PULSE FITTING,TC-47R | 1 | |
| 2-36 | 99053060453 | BOLT,HEX,6X45 | 2 | |
| 2-37 | 99210060062 | WASHER,S,6 | 4 | |
| 2-38 | 99053060353 | HEX, HOLE BOLT 6X35 | 2 | |
| 2-46 | 99101060013 | NUT,6 | 1 | |
| 2-47 | 89401401201 | RECEIVER,OUTER | 1 | |
| 2-51 | 1552053780 | ROTOR,MAGNETO | 1 | |
| 2-52 | 99200100011 | WASHER,10 | 1 | |
| 2-54 | 99111100011 | NUT,10 | 1 | |
| 2-55 | 1672053780 | COIL,IGNITION | 1 | |
| 2-56 | 99416050181 | SCREW,5x18,WS | 3 | |
| 2-60 | 19810246800 | CLAMP,CORD | 1 | |
| 2-63 | 19805015800 | CLAMP,CORD | 1 | |
| 2-66 | 1120428222 | CASE,FAN,POLISHED | 1 | |
| 2-67 | 99414060202 | SCREW,6X20S | 4 | |
| 2-68 | 2030604A202 | GROMMET | 1 | |
| 2-69 | 20306000200 | GROMMET,PRIMARY CORD | 1 | |
| 2-70 | 1780656280 | CORD,STOP,240L | 1 | |
| 2-75 | 19810246800 | CLAMP,CORD | 1 | |
| 2-82 | 70053005130 | PIPE,FUEL | 1 | |



| ITEM | PART NUMBER | DESCRIPTION | QTY | COMMENTS |
|------|-------------|--------------------------|-----|-----------------|
| 3-27 | 65504200200 | CUSHION,FUEL TANK | 2 | |
| 3-31 | 4030422021 | GASKET,INTAKE | 1 | |
| 3-32 | 4040422190 | INSULATOR SET,TC-47R | 1 | |
| 3-33 | 4020422120 | GASKET,CARBURETOR,TC-47R | 2 | |
| 3-45 | 4550428690 | CARBURETOR,TC-47R | 1 | |
| 3-49 | 99416050181 | SCREW,5x18,WS | 2 | |
| 3-51 | 49504200200 | LEVER,CHOKE | 1 | |
| 3-63 | 22301251901 | PIPE,FUEL,3X5X230 | 1 | |
| 3-64 | 68000731201 | CLIP 6.3 | 1 | |
| 3-65 | 67501630900 | FILTER,FUEL | 1 | |
| 3-66 | 5910423K21 | TANK,WHITE,TC-47R | 1 | |
| 3-70 | 5950651690 | CAP,TANK,BLACK | 1 | |
| 3-71 | 8850428281 | THROTTLE WIRE | 1 | For Powerboards |
| 3-72 | 8850428680 | THROTTLE WIRE | 1 | For Powerkarts |
| 3-76 | 60304201200 | BAND,HOLDING,TANK | 1 | |
| 3-77 | 65204201200 | CUSHION | 1 | |
| 3-78 | 99415050162 | SCREW,5X16/PS | 2 | |
| 3-79 | 99051050553 | BOLT,HEX,5X55 | 2 | |
| 3-80 | 99210050062 | WASHER,S,5 | 2 | |
| 3-96 | 62632810200 | CHAIN | 1 | |



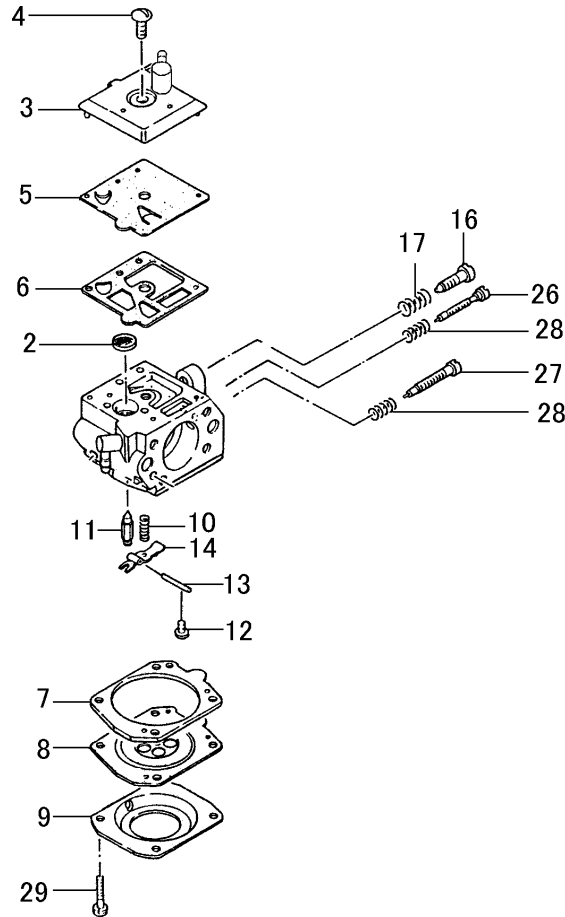
| ITEM | PART NUMBER | DESCRIPTION | QTY | COMMENTS |
|------|-------------|-------------------|-----|----------|
| 4-1 | 7380422020 | PROTECTOR,MUFFLER | 1 | |
| 4-2 | 99415050122 | SCREW,5X12/PS | 1 | |
| 4-3 | 99461050124 | BOLT,HEX,5X12S | 1 | |
| 4-4 | 99201050061 | WASHER,5 | 1 | |
| 4-5 | 99053060653 | SCREW,HEX,6X65 | 2 | |
| 4-6 | 99201060011 | WASHER,6 | 2 | |
| 4-7 | 7040422S90 | MUFFLER | 1 | |
| 4-9 | 75104200201 | GASKET,MUFFLER | 1 | |
| 4-10 | 7210430090 | TAIL PIPE SET | 1 | |
| 4-11 | 99414040081 | SCREW,4X8 | 2 | |
| 4-14 | 73704230200 | GASKET,MUFFLER | 1 | |
| 4-16 | 1330423020 | SHIELD,HEAT | 1 | |
| 4-23 | 99415050182 | SCREW,5X18/PS | 2 | |
| 4-24 | 99415050252 | SCREW,PS,5X25 | 2 | |
| 4-25 | 65304200200 | BRACKET,TANK | 1 | |
| 4-26 | 65506100200 | CUSHION,TANK | 2 | |
| 4-81 | 35910112203 | WASHER,CLUTCH B | 2 | |
| 4-82 | 2900427080 | SHOE,CLUTCH | 2 | |
| 4-83 | 3420427020 | SPRING,CLUTCH | 1 | |
| 4-84 | 99204100030 | WASHER,WAVE,10 | 2 | |
| 4-85 | 3570136U200 | BOLT,STEP,CLUTCH | 2 | |



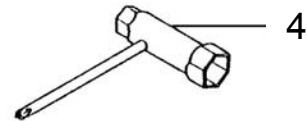
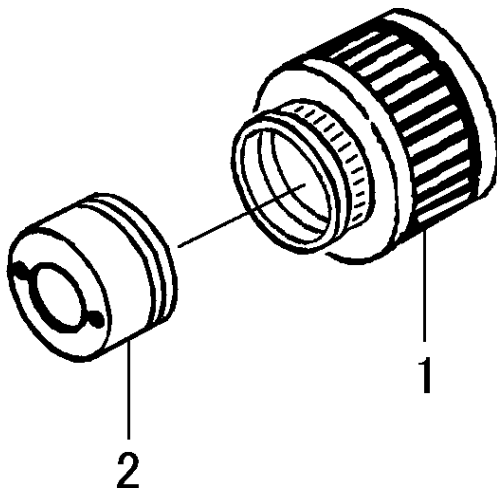
Billet Starter Handles

Part#: Blue - 31352 / Black - 31358
Polished - 31357 / Red - 31356

| ITEM | PART NUMBER | DESCRIPTION | QTY | COMMENTS |
|------|-------------|---------------------|-----|----------|
| 5-0 | 7620422090 | STARTER,RECOIL ASSY | 1 | |
| 5-1 | 7720422080 | BODY,RECOIL STARTER | 1 | |
| 5-2 | 7690422020 | REEL,STARTER ROPE | 1 | |
| 5-3 | 7790422020 | SPRING,RECOIL | 1 | |
| 5-9 | 7830427020 | ROPE,STARTER | 1 | |
| 5-12 | 8350422020 | CAP,HANDLE | 1 | |
| 5-14 | 7850422020 | HANDLE,STARTER | 1 | |
| 5-17 | 8390422020 | SCREW,SET | 1 | |



| ITEM | PART NUMBER | DESCRIPTION | QTY | COMMENTS |
|------|-------------|--------------------------|-----|--------------------------------------|
| | 4550428690 | CARBURETOR,TC-47R | 1 | |
| 6-2 | 57825007200 | SCREEN,INLET | 1 | |
| 6-3 | 5752532480 | PUMP BODY,TC-47R | 1 | |
| 6-4 | 51425012200 | SET,SCREW | 1 | |
| 6-5 | ~ ~ ~ | GASKET,PUMP | 1 | ~ Included in 650.25032.910 Carb Kit |
| 6-6 | ~ ~ ~ | DIAPHRAGM,PUMP | 1 | (parts not available individually) |
| 6-7 | ~ ~ ~ | GASKET,DIAPHRAGM | 1 | |
| 6-8 | ~ ~ ~ | DIAPHRAGM,METERING | 1 | |
| 6-9 | 4762531120 | DIAPHRAGM COVER,TC-47R | 1 | |
| 6-10 | 4772530720 | VALVE SPRING,TC-47R | 1 | |
| 6-11 | 6032501220 | NEEDLE VALVE | 1 | |
| 6-12 | 54625001200 | SCREW,SET,HINGE PIN | 1 | |
| 6-13 | 60525001200 | PIN,HINGE | 1 | |
| 6-14 | 47325012200 | LEVER,CONTROL | 1 | |
| 6-16 | 46225006200 | SCREW,IDLE ADJUST | 1 | |
| 6-17 | 46325012200 | SPRING,IDLE ADJUST | 1 | |
| 6-26 | 4612531120 | LOW ADJUST SCREW,TC-47R | 1 | |
| 6-27 | 4602531120 | HIGH ADJUST SCREW,TC-47R | 1 | |
| 6-28 | 62325054200 | SPRING,ADJUST | 2 | |
| 6-29 | 54825012200 | SCREW,SET | 4 | |



| ITEM | PART NUMBER | DESCRIPTION | QTY | COMMENTS |
|------|-------------|----------------------------|-----|----------|
| 7-1 | 31273 | AIR FILTER | 1 | |
| 7-2 | 32289 | VELOCITY STACK ONLY,TC-47R | 1 | |
| 7-3 | 9060428620 | DECAL,TC-47R | 1 | |
| 7-4 | 8262000080 | SPANNER,COMBI,17X19 | 1 | |



47cc Tanaka Power Pipe
Part #: 31880



Powerkart Performance Pipe (47cc)
Part #: 32062



Powerkart Velocity Stack/Filter (35/40cc)
Part #: 32225



Powerkart Performance Pack (47cc)
Part #: 32236

Free Manuals Download Website

<http://myh66.com>

<http://usermanuals.us>

<http://www.somanuals.com>

<http://www.4manuals.cc>

<http://www.manual-lib.com>

<http://www.404manual.com>

<http://www.luxmanual.com>

<http://aubethermostatmanual.com>

Golf course search by state

<http://golfingnear.com>

Email search by domain

<http://emailbydomain.com>

Auto manuals search

<http://auto.somanuals.com>

TV manuals search

<http://tv.somanuals.com>