

TANNOY.

TANNOY.

TS8 TS10

User Manual



1

Introduction

2

Electrical Connection

3

Installation

- ⊗ Fitting of feet
- ⊗ Connecting to your system
- ⊗ Positioning
- ⊗ Auto Power / Sleep Function
- ⊗ Overload Protection
- ⊗ Cleaning

4

Equipment Overview

- ⊗ TS8
- ⊗ TS10

5

Technical Specifications

1

Introduction

Owner's Manual- TS8 & TS10 Subwoofers

These high performance subwoofers have been built and tested with care and precision, to provide first class performance and reliable operation. To ensure maximum benefit from ownership and for reasons of safety, please read the following information before using for the first time. Please complete and return the enclosed warranty registration document - this does not limit your legal rights.

WARNINGS AND PRECAUTIONS

POWER REQUIREMENTS

Check that the voltage rating displayed on the rear panel is correct for your area before connecting. If it is incorrect, please refer to your local dealer or authorised service agent, as no user adjustment is provided.

Electrical Requirements**IMPORTANT**

A mains cable is supplied with an IEC moulded socket at one end and a moulded mains plug at the other end. Where the moulded plug is fitted with a mains fuse, always replace with the same 5A rated fuse.

If the fitted plug is unsuitable for your type of outlet sockets, it should be cut off and disposed of safely, in case it is inserted into a live socket elsewhere. The wires in the mains cable are coloured in accordance with the following code:

GREEN AND YELLOW

EARTH

BLUE

NEUTRAL

BROWN

LIVE

AS THE COLOURS OF THE WIRES IN THE MAINS CABLE MAY NOT CORRESPOND WITH THE COLOURED MARKINGS IDENTIFYING THE TERMINALS IN YOUR PLUG, PROCEED AS FOLLOWS:

- ⊙ The wire which is coloured GREEN AND YELLOW must be connected to the terminal in the plug which is marked either by the letter E, the earth safety symbol, or coloured GREEN or GREEN and YELLOW.
- ⊙ The wire which is coloured BLUE must be connected to the terminal in the plug which is marked by the letter N or coloured BLACK.
- ⊙ The wire which is coloured BROWN must be connected to the terminal in the plug which is marked by the letter L or coloured RED.
- ⊙ Ensure that the terminals are tightened securely, and no loose strands of wire are present. Ensure cord grip is clamped over outer sheath of cable, rather than over the wires.

Electrical Requirements**FUSE PROTECTION**

An additional mains fuse is provided in the IEC power inlet on the back of the loudspeaker, which can only be removed with the power cord unplugged. This must be replaced by a fuse of the same type and rating (see Specifications or refer to rear panel).

FOR YOUR OWN PROTECTION

- ⦿ Store complete packaging in case it is needed for re-use.
- ⦿ Never expose the unit to moisture, water and extremes of temperature or humidity. Do not operate with the rear panel close to a radiator or heater.
- ⦿ Never remove the rear panel of the unit, as there is a risk of electric shock.
- ⦿ There are no user serviceable parts inside the unit. Always refer servicing to your Tannoy dealer or authorised service agent.
- ⦿ Avoid violent shocks to the unit during packing or transportation.
- ⦿ Do not plug the unit into the mains until all other connections have been made and checked.
- ⦿ Due to the powerful drive unit magnet, do not place within 1m of a television or computer monitor.

Installation**FITTING OF FEET**

Screw the four cones into the inserts on the base of the cabinet. Spikes and lock nuts are provided to provide stability when used on a carpet. For use on a wooden floor, the spikes should be inverted.

CONNECTING TO YOUR SYSTEM

For 2 channel stereo use, if your preamplifier has a spare set of outputs, connect left and right to the subwoofer L and R phono inputs using screened cable. Alternatively for AV use, take the subwoofer output from your AV processor, and plug into either LINE IN phono socket.

Users with balanced systems may make use of the XLR inputs. With this option, a LINE OUT facility is provided, to feed the main speaker pair. This can be selected by the adjacent switch to be either a DIRECT feed, or provide an 80Hz HIPASS function. The latter setting is recommended for smaller main speakers.

SETTING UP

- ⊙ Ensure the main POWER switch is in the OFF position.
- ⊙ You can operate these subwoofers in two modes, AUTO and ON continuously, using the switch provided. In AUTO, the unit remains OFF until an input signal is detected.
- ⊙ Status is confirmed by the power light, which glows red in AUTO standby, but is otherwise green.

AV SYSTEMS:

Firstly set GAIN (volume) control to MIN, and LFE MODE switch to ON. This will bypass the unit's internal crossover, with this function now provided for within the AV processor. The XOVER FREQ. Control will no longer be functional. Set the PHASE control to 0°. The LED will turn green when switched ON, or when a signal is detected in AUTO mode.

Set the LF XTENSION control to mid position and play some music or other material through the system and slowly increase the input level control until roughly the correct amount of bass is present. If this does not prove possible, rotate the PHASE control clockwise, which with some speakers and rooms will give increased bass output. Moving the LF XTENSION control anticlockwise towards the MUSIC position will give a deeper more extended bass, while moving it clockwise towards the THEATRE position will increase the impact of movie sound effects. Fine adjustment of the controls will take a little time using a range of different programme material.

Remember that the object of a subwoofer is to enhance the output of your main speakers, not overpower it.

Installation**2 CHANNEL STEREO**

Operation is basically the same as above, except the LFE switch should be set to OFF, and the XOVER FREQ. control must be set to suit your main speakers. If you know the lower roll-off frequency of your speakers (as given in the manual), set the control to this value as a starting point. If not, set the control to mid position. Using a range of music, adjust the control to give the smoothest integration between the main speakers and the subwoofer. The LF XTENSION control should be set to MUSIC, but some deviation away from this setting may be preferred depending on the main speakers and room.

POSITIONING

As a subwoofer produces low frequencies only, it is difficult to detect its location by ear. It can therefore be placed anywhere in the room, but it is worth experimenting to find the optimum position. Bass output will increase next to a wall or especially in a corner; so use the GAIN control to compensate if moving your subwoofer around.

AUTO POWER/ SLEEP FUNCTION

These subwoofers can be left permanently on in AUTO mode, under which conditions they will revert to 'sleep' mode after approximately 12 minutes. If not using your subwoofer for some time, switch OFF and remove the power cable from the mains outlet.

When unused for some time, such as vacations, set the main power switch to OFF and unplug the unit from the mains.

OVERLOAD PROTECTION

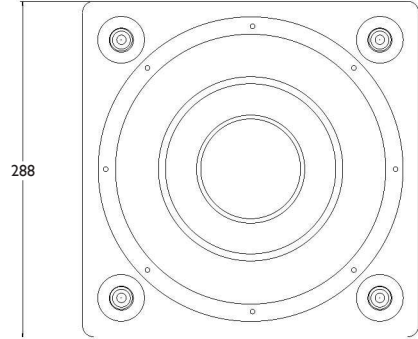
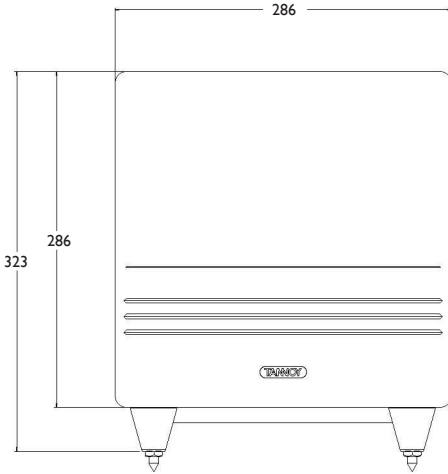
All Tannoy TS subwoofers are provided with circuitry to limit the maximum sound output, in order to eliminate audible distortion. This circuitry will normally operate unnoticed. If however distortion is heard, this indicates the unit is being severely overloaded, and to avoid damage, the input level should be reduced immediately.

CLEANING

Dust the enclosure with a dry lint free cloth, which may be moistened to remove any marks. Do not use any solvent-based chemicals.

4

TS10 Equipment Overview



5	Technical Specification	TS8	TS10
	Output Power	200W RMS	300W RMS
	Low Frequency Response (-6dB) Limit for usable output	32Hz 18Hz	29Hz 16Hz
	Inputs	2 x line level phono 2 x XLR balanced	2 x line level phono 2 x XLR balanced
	Outputs	2 x XLR balanced (direct or 80Hz HIPASS)	2 x XLR balanced (direct or 80Hz HIPASS)
	Input Filter	2 nd order low pass, 50Hz – 150Hz, -6dB.	2 nd order low pass, 50Hz – 150Hz, -6dB.
	Auto Mute	After approximately 12 mins, in absence of input signal	After approximately 12 mins, in absence of input signal
	Driver Type	200mm (8")	250mm (10")
	Enclosure Type	Closed box	Closed box
	Enclosure Volume	12.5 litre/ 0.45cu.ft	16.75 litre/ 0.6cu.ft
	Additional Features	Phase control Crossover defeat switch for LFE operation Soft limiting to avoid overload LF extension control	Phase control Crossover defeat switch for LFE operation Soft limiting to avoid overload LF extension control
	Enclosure (H x W x D) Including feet	292 x 280 x 255mm 11.5" x 11.5" x 10"	323 x 286 x 286mm 12.7" x 11.3" x 11.3"
	Enclosure Weight	7.0kg/ 15.4lbs	9.5kg/ 21lbs
	Mains Voltage	120V nominal AC €, 60Hz	230V nominal AC €, 50Hz
	Mains Fuse	120V- T2AL/250V 230V- T1AL/250V	120V - T3.15AL/250V 230V - T1.6AL/250V
	Maximum Power Consumption	275VA	416VA

Warranty

Tannoy adopts a policy of continuous improvement and product specification is subject to change. E. & O.E.

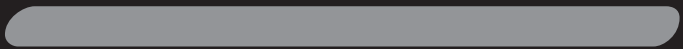


This equipment has undergone safety and EMC testing, and complies with the European Low Voltage Directive and Electromagnetic Compatibility Directive, together with the requirements of the Canadian Standards Association (CSA).

TANNOY

TS8 TS10

TANNOY



Tannoy Loudspeakers are designed and manufactured in Great Britain by:

**Tannoy Ltd, Rosehall Industrial Estate, Coatbridge,
North Lanarkshire, ML5 4TF, SCOTLAND
Telephone: +44 (0)1236 420199 Fax: +44 (0)1236 428230**

**Tannoy North America Inc, Suite 1. 335 Gage Avenue, Kitchener,
Ontario, CANADA, N2M 5E1
Telephone: (519) 745 1158 Fax: (519) 745 2364**

Check periodically for the latest manual revision that will always available for download from www.tannoy.com The revision number of this manual is located below

Issue 1

Software Version 1.12 Part No. XXXX XXXX

Free Manuals Download Website

<http://myh66.com>

<http://usermanuals.us>

<http://www.somanuals.com>

<http://www.4manuals.cc>

<http://www.manual-lib.com>

<http://www.404manual.com>

<http://www.luxmanual.com>

<http://aubethermostatmanual.com>

Golf course search by state

<http://golfingnear.com>

Email search by domain

<http://emailbydomain.com>

Auto manuals search

<http://auto.somanuals.com>

TV manuals search

<http://tv.somanuals.com>