



# **DP SATA 6Gb/s 2-Port PCIe Quick Installation Guide**

---

## **Introduction**

---

The *DP SATA 6Gb/s 2-Port PCIe* adds 2 SATA 6Gb/s to PCIe-equipped computers.

## **Features and Benefits**

- Adds 2 internal SATA 6Gb/s channels to your PCIe system
- Compliant with Serial ATA specification, Revision 3.0
- Supports ATA/ATAPI-7 specification
- Supports port multiplier
- Installs in standard height or low profile chassis with included brackets

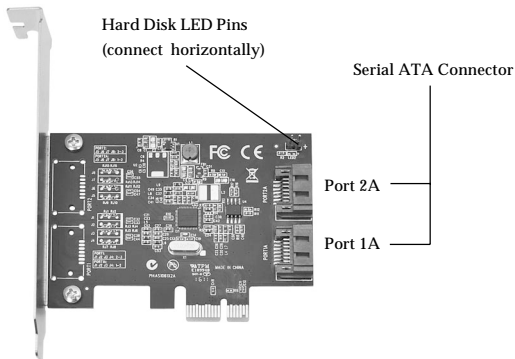
## **System Requirements**

- Desktop PC with an available PCIe slot
- Windows® 7 (32-/64-bit) / Vista (32-/64-bit) / XP (32-/64-bit) / Server 2003 & 2008 (32/64-bit) / Server 2008 R2

## Package Contents

- *DP SATA 6Gb/s 2-Port PCIe* adapter
- Spare low profile bracket
- SATA data cable
- Driver CD
- Quick installation guide

## Layout



**Figure 1: DP SATA 6Gb/s 2-Port PCIe**

## **Hardware Installation**

---

For Low profile systems, install the spare low profile bracket now.

General instructions for installing the card are provided below. Since the design of computer cases and motherboards vary, refer to your computer's reference manual for further information, if needed.

Static Electricity Discharge may permanently damage your system. Discharge any static electricity build up in your body by touching your computer case for a few seconds. Avoid any contact with internal parts and handle cards only by their external edges.

1. Turn OFF the power to your computer and any other connected peripheral devices.
2. Unplug the power cord from the back of the computer.
3. Remove your computer cover.
4. Remove the slot bracket cover from an available PCI Express slot.

5. To install the card, carefully align the card's bus connector with the selected PCI Express slot on the motherboard. Push the board down firmly, but gently, until it is well seated.
6. Replace the slot bracket holding screw to secure the card.

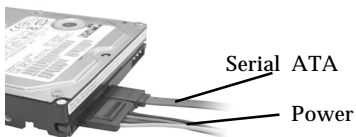
## Device Connection

The *DP SATA 6Gb/s 2-Port PCIe* is a dual channel Serial ATA III controller that supports up to two Serial ATA hard disk drives. If you plan to use the second channel, you will need to purchase another SATA data cable.

1. Install your hard disk drive(s) in the chassis.
2. Connect the Serial ATA hard disk drive to the system power supply.

**Note:** For hard drives with both SATA power connector and legacy 5-pin connector, use either the SATA power connector or the legacy 5-pin power connector. Using both power connectors may damage the hard drive.

3. Connect one end of the *Serial ATA cable* to the hard disk drive.



**Figure 2. SATA hard disk drive connections**

4. Attach the other end of the *Serial ATA data cable* to the Serial ATA connector on the *DP SATA 6Gb/s 2-Port PCIe*.
5. Follow the same instructions to connect the second hard drive, if needed. Device connection is now complete.

## **Software Installation**

---

This section provides information on how to install the *DP SATA 6Gb/s 2-Port PCIe* adapter drivers in the next page.

## **Windows 7 (32-/64-bit) / Server 2008 R2**

### For New Installation

1. Install the board and follow Microsoft procedures to install Windows accordingly.
2. After the installation, insert driver CD, click **Start** menu, in the **Search programs and files** box, type **D:\setup.exe**, press **Enter**. (Change **D:** to match your CD-ROM drive letter)
3. At the **User Account Control** window, click **Yes**. Skip this step if not prompted.
4. Click **Next**.
5. Select **I accept the terms of the license agreement**, then click **Next**.
6. Click **Finish**.
7. Click **Yes** to complete the installation.

### For Existing Installation

1. Install the board and boot up Windows.

2. Insert driver CD, click **Start** menu, click **Start** menu, in the **Search programs and files** box, type **D:\setup.exe**, press **Enter**. (Change **D:** to match your CD-ROM drive letter)
3. At the **User Account Control** window, click **Yes**. Skip this step if not prompted.
4. Click **Next**.
5. Select **I accept the terms of the license agreement**, then click **Next**.
6. Click **Finish**.
7. Click **Yes** to complete the installation.

## **Windows Vista (32-/64-bit)**

### For A New Installation

1. Install the board and follow Microsoft procedures to install Windows accordingly.
2. After the installation, insert driver CD, click **Start** menu, in the **Start Search** box, type **D:\setup.exe**, press **Enter**. (Change **D:** to match your CD-ROM drive letter)
3. At the **User Account Control** window, click **Allow**. Skip this step if not prompted.

4. Click **Next**.
5. Select **I accept the terms of the license agreement**, then click **Next**.
6. Click **Finish**.
7. Click **Yes** to complete the installation.

### For Existing Installation

1. Install the board and boot up Windows.
2. At the **Found New Hardware** window, click **Cancel**.
3. Insert driver CD, click **Start** menu, in the **Start Search** box, type **D:\setup.exe**, press **Enter**. (Change **D:** to match your CD-ROM drive letter)
4. At the **User Account Control** window, click **Allow**. Skip this step if not prompted.
5. Click **Next**.
6. Select **I accept the terms of the license agreement**, then click **Next**.
7. Click **Finish**.
8. Click **Yes** to complete the installation.



## Windows Server 2008 (32-/64-bit)

### For New Installation

1. Install the board and follow Microsoft procedures to install Windows accordingly.
2. After the installation, insert driver CD, click **Start** menu, in the **Start Search** box, type **D:\setup.exe**, press **Enter**. (Change **D:** to match your CD-ROM drive letter)
3. Click **Next**.
4. Select **I accept the terms of the license agreement**, then click **Next**.
5. Click **Finish**.
6. Click **Yes** to complete the installation.

### For Existing Installation

1. Install the board and boot up Windows.
2. At the **Found New Hardware** window, click **Cancel**.
3. Insert driver CD, click **Start** menu, in the **Start Search** box, type **D:\setup.exe**, press **Enter**. (Change **D:** to match your CD-ROM drive letter)

4. Click **Next**.
5. Select **I accept the terms of the license agreement**, then click **Next**.
6. Click **Finish**.
7. Click **Yes** to complete the installation.

## **Server 2003 (64-bit)**

### For A New Installation

A new installation requires a floppy disk for the driver installation. To make this floppy disk, copy the **contents** of the **64bit** folder, found on the driver CD, onto a blank floppy disk then follow the directions below.

1. Install the board and follow Microsoft procedures to install Windows accordingly.
2. At the **Windows Setup** screen, press **F6** to install the RAID driver.
3. When prompted, press **S** to specify the location of the driver.
4. Insert the floppy disk, then press **Enter**.
5. Select **Asmedia 106x SATA Controller 64bit**, then press **Enter**.

**Note:** Do not remove the floppy diskette from the floppy drive. You need to install the driver once again during the installation.

6. Press **Enter** again to finish the driver installation, then follow the on-screen instructions to complete your Windows installation.

### For Existing Installation

1. Install the board and boot up Windows.
2. At the **Found New Hardware** window, click **Cancel**.
3. Insert driver CD, click **Start** menu, **Run**. Type **D:\setup.exe**, click **OK**. (Change **D:** to match your CD-ROM drive letter)
4. Click **Next**.
5. Select **I accept the terms of the license agreement**, then click **Next**.
6. Click **Finish**.
7. Click **Yes** to complete the installation.

## **Server 2003 (32-bit)**

### For A New Installation

A new installation requires a floppy disk for the driver installation. To make this floppy disk, copy the **contents** of the **32bit** folder, found on the driver CD, onto a blank floppy disk then follow the directions below.

1. Install the board and follow Microsoft procedures to install Windows accordingly.
2. At the **Windows Setup** screen, press **F6** to install the RAID driver.
3. When prompted, press **S** to specify the location of the driver.
4. Insert the floppy disk, then press **Enter**.
5. Select **Asmedia 106x SATA Controller 32bit**, then press **Enter**.

**Note:** Do not remove the floppy diskette from the floppy drive. You need to install the driver once again during the installation.

6. Press **Enter** again to finish the driver installation, then follow the on-screen instructions to complete your Windows installation.

### For Existing Installation

1. Install the board and boot up Windows.
2. At the **Found New Hardware** window, click **Cancel**.
3. Insert driver CD, click **Start** menu, **Run**. Type **D:\setup.exe**, click **OK**. (Change **D:** to match your CD-ROM drive letter)
4. Click **Next**.
5. Select **I accept the terms of the license agreement**, then click **Next**.
6. Click **Finish**.
7. Click **Yes** to complete the installation.

## Windows XP (64-bit)

### For A New Installation

A new installation requires a floppy disk for the driver installation. To make this floppy disk, copy the **contents** of the **64bit** folder, found on the driver CD, onto a blank floppy disk then follow the directions below.

1. Install the board and follow Microsoft procedures to install Windows accordingly.
2. At the **Windows Setup** screen, press **F6** to install the RAID driver.
3. When prompted, press **S** to specify the location of the driver.
4. Insert the floppy disk, then press **Enter**
5. Select **Asmedia 106x SATA Controller 64bit**, then press **Enter**.

**Note:** Do not remove the floppy diskette from the floppy drive. You need to install the driver once again during the installation.

6. Press **Enter** again to finish the driver installation, then follow the on-screen instructions to complete your Windows installation.

### For Existing Installation

1. Install the board and boot up Windows.
2. At the **Found New Hardware** window, click **Cancel**.
3. Insert driver CD, click **Start** menu, **Run**. Type **D:\setup.exe**, click **OK**. (Change **D:** to match your CD-ROM drive letter)
4. Click **Next**.
5. Select **I accept the terms of the license agreement**, then click **Next**.
6. Click **Finish**.
7. Click **Yes** to complete the installation.

## Windows XP (32-bit)

### For A New Installation

A new installation requires a floppy disk for the driver installation. To make this floppy disk, copy the **contents** of the **32bit** folder, found on the driver CD, onto a blank floppy disk then follow the directions below.

1. Install the board and follow Microsoft procedures to install Windows accordingly.
2. At the **Windows Setup** screen, press **F6** to install the RAID driver.
3. When prompted, press **S** to specify the location of the driver.
4. Insert the floppy disk, then press **Enter**
5. Select **Asmedia 106x SATA Controller 32bit**, then press **Enter**.

**Note:** Do not remove the floppy diskette from the floppy drive. You need to install the driver once again during the installation.



6. Press **Enter** again to finish the driver installation, then follow the on-screen instructions to complete your Windows installation.

### For An Existing Installation

1. Install the board and boot up Windows.
2. At the **Found New Hardware** window, click **Cancel**.
3. Insert driver CD, click **Start** menu, **Run**. Type **D:\setup.exe**, click **OK**. (Change **D:** to match your CD-ROM drive letter)
4. Click **Next**.
5. Select **I accept the terms of the license agreement**, then click **Next**.
6. Click **Finish**.
7. Click **Yes** to complete the installation.

## To Verify Windows Installation

1. Use Device Manager to verify installation.  
For Windows 7: Right click **Computer**, click **Manage**, click **Device Manager**.  
For Windows Vista: Right click **Computer**, click **Manage**, click **Continue**. Click **Device Manager**.  
For Windows XP / Server 2003: Right click **My Computer**, click **Manage**, click **Device Manager**.  
For Windows Server 2008: Right click **Computer**, click **Manage**. Double click **Diagnostics**, click **Device Manager**.
2. For Windows 7 / Vista / Server 2008 / Server 2008 R2: Double click **IDE ATA/ATAPI controllers**. **Asmedia 106x SATA Controller** should be displayed.
3. For Windows XP / Server 2003: Double click **SCSI and RAID controllers**. **Asmedia 106x SATA Controller** should be displayed.

# Technical Support and Warranty

---

**QUESTIONS?** SIIG's **Online Support** has answers! Simply visit our web site at [www.siig.com](http://www.siig.com) and click **Support**. Our online support database is updated daily with new drivers and solutions. Answers to your questions could be just a few clicks away. You can also submit questions online and a technical support analyst will promptly respond.

SIIG offers a 5-year manufacturer warranty with this product. This warranty covers the original purchaser and guarantees the product to be free of any defects in materials or workmanship for 5 years of the product.

SIIG will, at our discretion, repair or replace (with an identical product or product having similar features and functionality) the product if defective in materials or workmanship. This warranty gives you specific legal rights, and you may also have other rights which vary from state to state. Please see our web site for more warranty details.

If you encounter any problems with this product, please follow the procedures below.

A) If it is within the store's return policy period, please return the product to the store where you purchased from.

B) If your purchase has passed the store's return policy period, please follow the steps below to have the product repaired or replaced.

**Step 1:** Submit your RMA request.

Go to [www.siig.com](http://www.siig.com), click **Support**, then **Request A Product Replacement** to submit a request to [SIIG RMA](#) or fax a request to 510-657-5962. Your RMA request will be processed, if the product is determined to be defective, an RMA number will be issued.

**Step 2:** After obtaining an RMA number, ship the product.

- Properly pack the product for shipping. All accessories that came with the original package must be included.
- Clearly write your RMA number on the top of the returned package. SIIG will refuse to accept any shipping package, and will not be responsible for a product returned without an RMA number posted on the outside of the shipping carton.
- You are responsible for the cost of shipping to SIIG. Ship the product to the following address:

**SIIG, Inc.**

**6078 Stewart Avenue**

**Fremont, CA 94538-3152, USA**

**RMA #:** \_\_\_\_\_

- SIIG will ship the repaired or replaced product via Ground in the U.S. and International Economy outside of the U.S. at no cost to the customer.

## About SIIG, Inc.

---

Founded in 1985, SIIG, Inc. is a leading manufacturer of IT connectivity solutions (including Serial ATA and Ultra ATA Controllers, FireWire, USB, and legacy I/O adapters) that bridge the connection between Desktop/ Notebook systems and external peripherals. SIIG continues to grow by adding A/V and Digital Signage connectivity solutions to our extensive portfolio. SIIG products offer comprehensive user manuals, many user-friendly features, and are backed by an extensive manufacturer warranty. High quality control standards are evident by the overall ease of installation and compatibility of our products, as well as one of the lowest defective return rates in the industry. SIIG products can be found in computer retail stores, mail order catalogs, through major distributors, system integrators, and VARs in the Americas and the UK, and through e-commerce sites.

### **PRODUCT NAME**

DP eSATA 6Gb/s 2-Port PCIe

FCC RULES: TESTED TO COMPLY WITH FCC PART 15, CLASS B  
OPERATING ENVIRONMENT: FOR HOME OR OFFICE USE

### **FCC COMPLIANCE STATEMENT:**

This device complies with part 15 of the FCC Rules. Operation is subject to the following two conditions: (1) This device may not cause harmful interference, and (2) this device must accept any interference received, including interference that may cause undesired operation.

### **THE PARTY RESPONSIBLE FOR PRODUCT COMPLIANCE**

SIIG, Inc.  
6078 Stewart Avenue  
Fremont, CA 94538-3152, USA  
Phone: 510-657-8688

DP eSATA 6Gb/s 2-Port PCIe is a trademark of SIIG, Inc. SIIG and the SIIG logo are registered trademarks of SIIG, Inc. Microsoft and Windows are registered trademarks of Microsoft Corporation. All other names used in this publication are for identification only and may be trademarks of their respective owners.

October, 2011

Copyright © 2011 by SIIG, Inc. All rights reserved.

## Free Manuals Download Website

<http://myh66.com>

<http://usermanuals.us>

<http://www.somanuals.com>

<http://www.4manuals.cc>

<http://www.manual-lib.com>

<http://www.404manual.com>

<http://www.luxmanual.com>

<http://aubethermostatmanual.com>

Golf course search by state

<http://golfingnear.com>

Email search by domain

<http://emailbydomain.com>

Auto manuals search

<http://auto.somanuals.com>

TV manuals search

<http://tv.somanuals.com>