



Industrial Grade USB Hub

(ID-US0011-S1/ID-US0111-S1)

User's Manual

04-0781

VER: 1.0

- 1 -

Copyright Statement

No part of this publication may be reproduced in any form by any means without the prior written permission. Other trademarks or brand names mentioned herein are trademarks or registered trademarks of their respective companies.

Disclaimer

Information in this document is subject to change without notice. The manufacturer does not make any representations or warranties (implied or otherwise) regarding the accuracy and completeness of this document and shall in no event be liable for any loss of profit or any commercial damage, including but not limited to special, incidental, consequential, or other damage.

Introduction

This industrial-grade USB 2.0 hub is compliant with USB 2.0 specification and can expand 1 USB port into multiple high-efficient USB 2.0 port. It provides 15KV ESD protection for all signals. Designed for industrial usage and tough working environments, this hub comes in a metal housing with wall mountable and din rails.

Features

- Compliant with USB2.0 version specification, Hi-Speed USB data transmission rate up to 480 Mbps
- Bus-power (no external power adapter required) and self-power mode selection
- Dual power input (AC or DC) supply
- Support USB Plug-and-Play
- Over-current detection and protection circuit design
- 15KV ESD immunity to serial interface
- Automatic link and speed detection
- Industrial grade rugged metal enclosure design
- Wall and DIN rail mount support

System Requirements

- Windows® 7 / Vista / XP / 2000
- Mac® OS X v10.1 and later for PowerPC Mac
- Mac OS X v10.4 and later for Intel Mac

Package Contents

- Industrial-grade USB 2.0 Hub
- Screws (3)
- USB cable
- 3-pin power terminal block
- DIN mounting kit

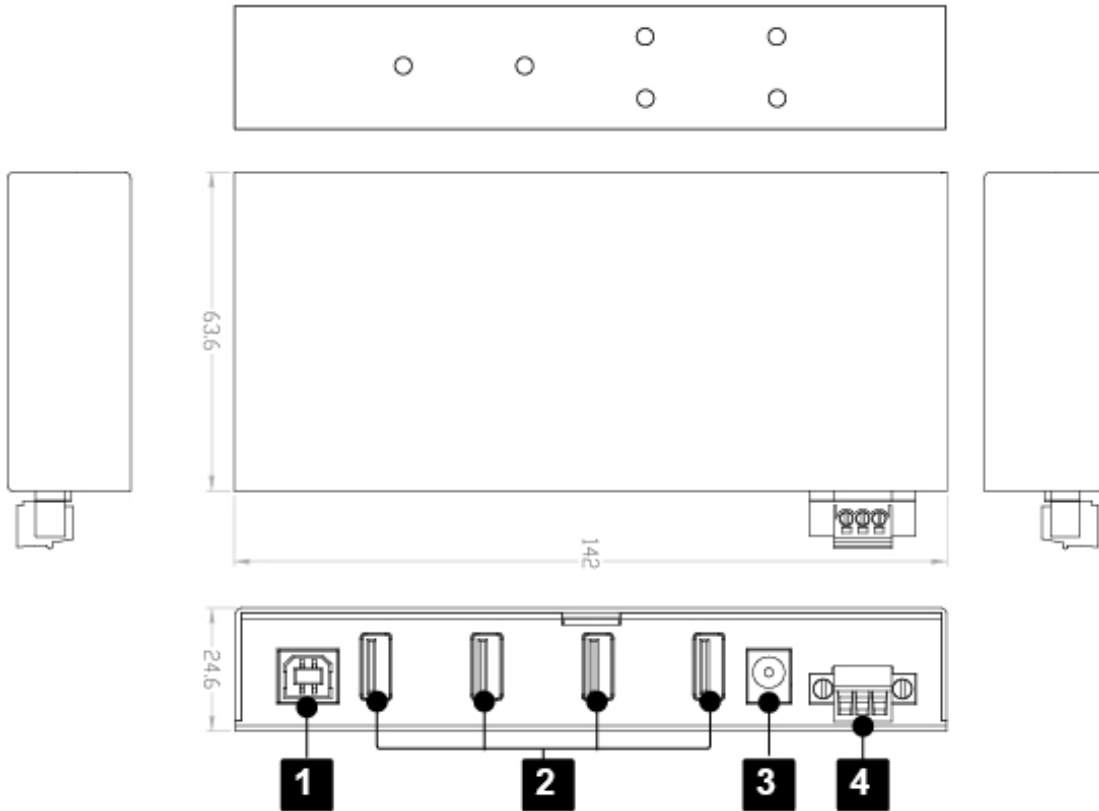
Specifications

Item	Description
Ports	4 x USB2.0 (ID-US0011-S1 4-Port Industrial Grade USB Hub)
	7 x USB2.0 (ID-US0111-S1 7-Port Industrial Grade USB Hub)
Connector	USB-A-female
ESD Protection	15KV ESD
Transmission Speed	12M~480Mbps
Interface	USB2.0
Interface Connector	USB-B female
Power Requirement	Bus-power/5V 3A DC/9~36V DC
Operating Temperature	0°C to 60°C
Operating Humidity	5 to 95% RH
Dimension (LxWxH)	142 x 63.6 x 24.6 mm (without DIN Mounting Kit)
Enclosure Material	Metal
Regulatory Approvals	CE/FCC

Specification is subject to change without further notice.

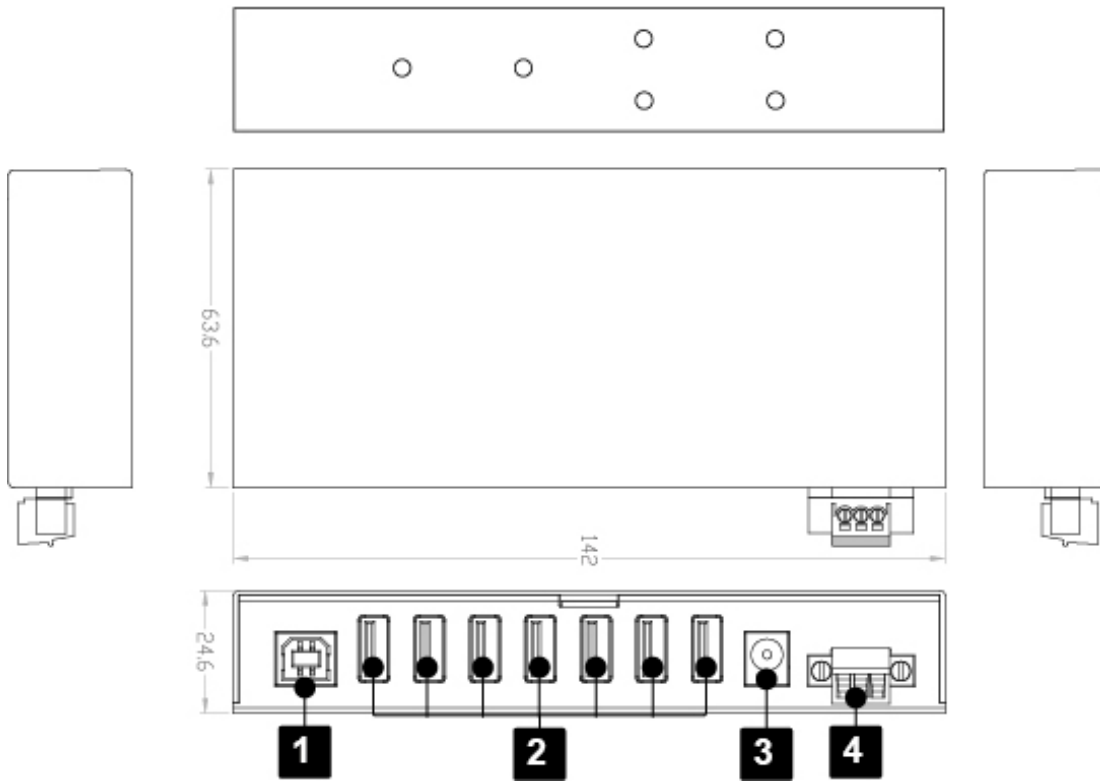
Product Overview

4-Port Industrial Grade USB Hub



1. USB 2.0 upstream
2. USB 2.0 downstream
3. DC power jack
4. 9~36VDC power terminal

7-Port Industrial Grade USB Hub

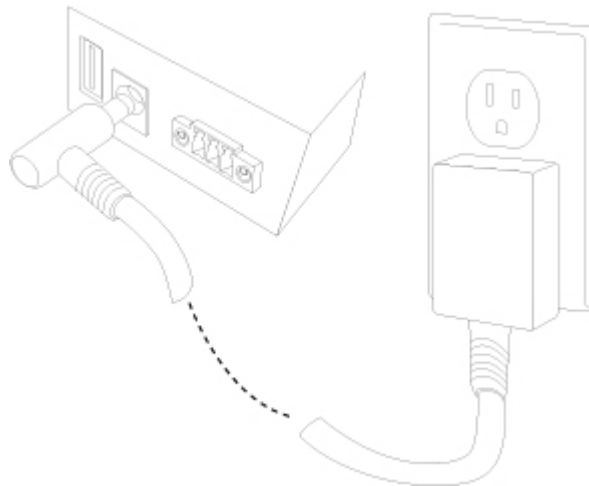


5. USB2.0 upstream
6. USB2.0 downstream
7. DC power jack
8. 9~36VDC power terminal

Powering the Hub

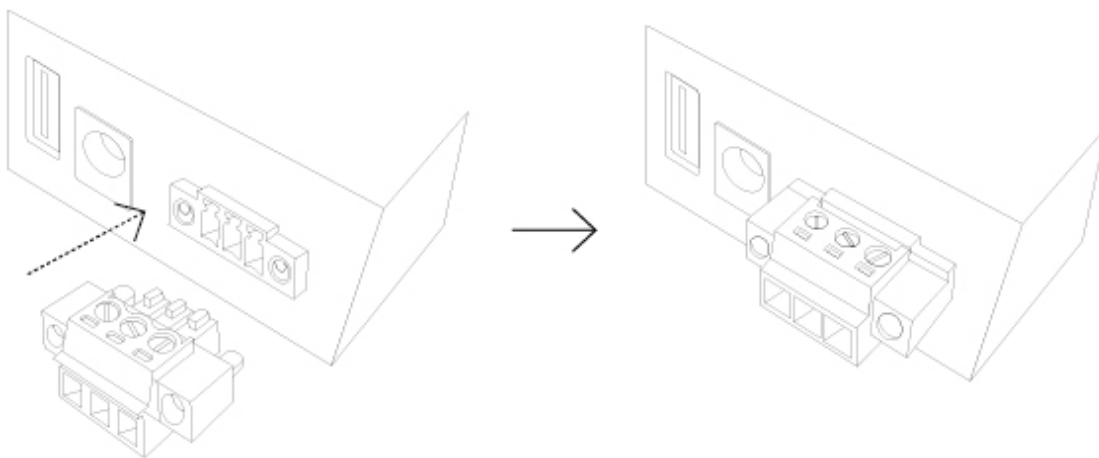
DC-In

Plug the supplied power adapter into the wall outlet, and connect it to the hub.



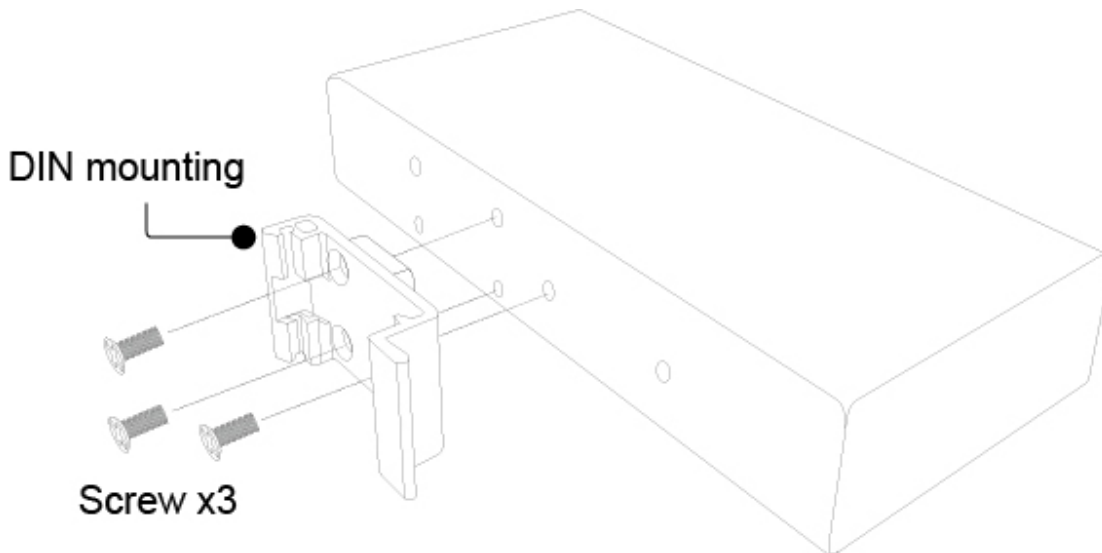
Power terminal

Plug the supplied power terminal block into the hub according to the connector's orientation.



DIN Mounting Kit Installation

This hub can be placed to a fl at surface, mounted on a wall or attached to a standard DIN-Rail. Screw the DIN mount kit into the hub as the illustration below before mounting.



Driver Installation

Important: This hub only operates at USB 2.0 speed when connected to a USB 2.0 controller. Otherwise, it will operate as a USB 1.1 hub when connected to a USB 1.1 controller.

Windows and Mac will automatically install the correct driver when plugged into the computer. No additional driver installation is needed

Regulatory Compliance

FCC Conditions

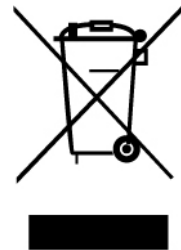
This equipment has been tested and found to comply with Part 15 Class B of the FCC Rules. Operation is subject to the following two conditions:

- (1) This device may not cause harmful interference
- (2) This device must accept any interference received and include interference that may cause undesired operation.



WEEE Information

For EU (European Union) member users: According to the WEEE (Waste electrical and electronic equipment) Directive, do not dispose of this product as household waste or commercial waste. Waste electrical and electronic equipment should be appropriately collected and recycled as required by practices established for your country. For information on recycling of this product, please contact your local authorities, your household waste disposal service or the shop where you purchased the product.



Blank Page

Technical Support and Warranty:

QUESTIONS? SIIG's **Online Support** has answers! Simply visit our website at www.siig.com and click on **Support**. Our online support database is updated daily with new drivers and solutions. Answers to your questions could be just a few clicks away. You can also submit questions online and one of our technical support analysts will promptly respond.

SIIG offers one year manufacturer warranty with this product. Please see our web site for more warranty details. If you encounter any problems with this product, please follow the procedures below.

A) If it is within the store's return policy period, please return the product to the store where you purchased from.

B) If your purchase has passed the store's return policy period, please follow these steps to have the product repaired or replaced.

Step 1: Submit your RMA request.

Go to www.siig.com, click Support, then RMA to submit a request to SIIG RMA or fax a request to 510-657-5962. Your RMA request will be processed, if the product is determined to be defective, an RMA number will be issued.

Step 2: After obtaining an RMA number, ship the product.

- Properly pack the product for shipping. All software, cable(s) and any other accessories that came with the original package must be included.
- Clearly write your RMA number on the top of the returned package. SIIG will refuse to accept any shipping package, and will not be responsible for a product returned without an RMA number posted on the outside of the shipping carton.
- You are responsible for the cost of shipping the product to SIIG at the following address:
SIIG, Inc.
6078 Stewart Avenue
Fremont, CA 94538-3152, USA
RMA #: _____
- SIIG will ship the repaired or replaced product via Ground in the U.S. and International Economy outside of the U.S. at no cost to the customer.

About SIIG, Inc.

Founded in 1985, SIIG, Inc. is a leading manufacturer of IT connectivity solutions (including Serial ATA and Ultra ATA Controllers, FireWire, USB, and legacy I/O adapters) that bridge the connection between Desktop/ Notebook systems and external peripherals. SIIG continues to grow by adding A/V and Digital Signage connectivity solutions to our extensive portfolio. All centered around the distribution and switching of A/V signals over CAT5/6, these products include matrix switches, distribution amplifiers, extenders, converters, splitters, cabling, and more.

SIIG is the premier one-stop source of upgrades and is committed to providing high quality products while keeping economical and competitive prices. High-quality control standards are evident by one of the lowest defective return rates in the industry. Our products offer comprehensive user manuals, user-friendly features, and most products are backed by a lifetime warranty.

SIIG products can be found in many computer retail stores, mail order catalogs, and e-commerce sites in the Americas, as well as through major distributors, system integrators, and VARs.

PRODUCT NAME

Industrial Grade USB Hub

FCC RULES: TESTED TO COMPLY WITH FCC PART 15, CLASS B OPERATING ENVIRONMENT: FOR HOME OR OFFICE USE

FCC COMPLIANCE STATEMENT:

This device complies with part 15 of the FCC Rules. Operation is subject to the following two conditions: (1) This device may not cause harmful interference, and (2) this device must accept any interference received, including interference that may cause undesired operation.

THE PARTY RESPONSIBLE FOR PRODUCT COMPLIANCE

SIIG, Inc.
6078 Stewart Avenue
Fremont, CA 94538-3152, USA
Ph: 510-657-8688

Industrial Grade USB Hub is a trademark of SIIG, Inc. SIIG and the SIIG logo are registered trademarks of SIIG, Inc. Other names used in this publication are for identification only and may be trademarks of their respective companies.

February, 2012

Copyright © 2011 by SIIG, Inc. All rights reserved.

Free Manuals Download Website

<http://myh66.com>

<http://usermanuals.us>

<http://www.somanuals.com>

<http://www.4manuals.cc>

<http://www.manual-lib.com>

<http://www.404manual.com>

<http://www.luxmanual.com>

<http://aubethermostatmanual.com>

Golf course search by state

<http://golfingnear.com>

Email search by domain

<http://emailbydomain.com>

Auto manuals search

<http://auto.somanuals.com>

TV manuals search

<http://tv.somanuals.com>