

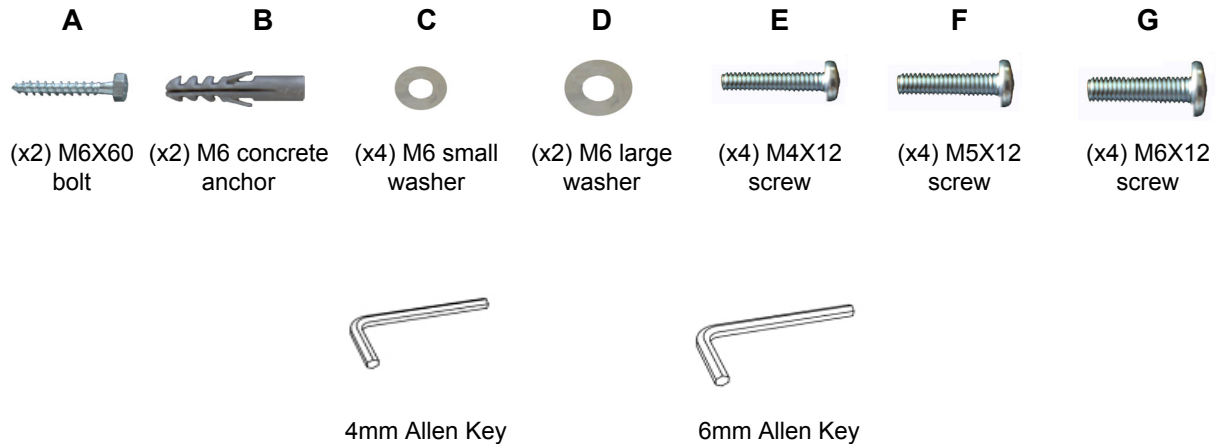


# LCD TV/Monitor Tilting Mount - 10" to 26"

## Installation Instructions



## Hardware



**Tools Required:** Electronic stud finder, #2 Phillips head screw driver, drill, 1/8" drill bit (wood stud installation), 3/8" masonry drill bit (concrete/brick wall installation).

## Step 1: Wall Plate Installation

---

### Wood Stud Installation

- 1 Use a high-quality electronic stud finder (commercially available) to locate dead center of the wood stud and mark the location with a pencil.
- 2 Hold the wall plate (Figure 1) to the wall, use the two mounting holes to mark the locations to be used for mounting the wall plate.
- 3 Take down the wall plate and drill two 2" deep holes, using a 1/8" drill bit at the positions you've marked.
- 4 Attach the wall plate to the wall again and insert the bolts (A) and washers (D) into the holes (Figure 1) and tighten.



Figure 1



Figure 2

### Concrete/Brick Wall Installation

- 1 Hold the wall plate (Figure 2) to the wall, use the two mounting holes to mark the locations to be used for mounting the wall plate. Locate the holes directly into the brick, block or concrete, never into the mortar between the blocks.
- 2 Pre-drill two holes to a depth of 2" using a 3/8" masonry drill bit at the positions you've marked and insert one concrete anchor (B) into each hole.
- 3 Position the wall plate onto the wall again and insert the bolts (A) and washer (D) into the anchor as shown (Figure 2) and tighten.

## Step 2: Display Plate Installation

- 1 Place your TV screen down on a soft, flat surface, and locate the threaded mounting points that are located on the back of the display.
- 2 According to the size of the display's hole, choose the corresponding screw (E/F/G) and washer (C) and insert into the hole as shown (Figure 3) and tighten.

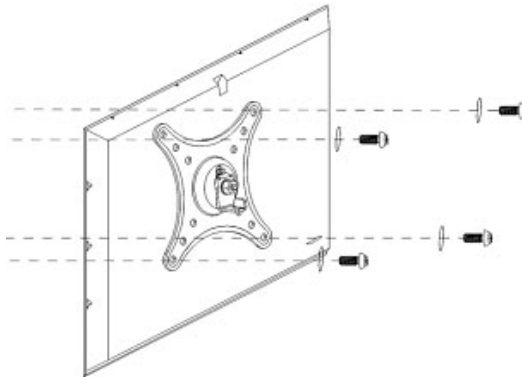


Figure 3

## Step 3: Final Installation

- 1 Hang the display plate onto the top of the wall plate and slip it into the wall plate as shown (Figure 4).
- 2 Tighten the safety screw on the side and back using a Phillips head screw driver and the supplied 4mm Allen Key (Figure 5 & Figure 6 respectively).
- 3 Adjust the tension of the joint using the supplied 6mm Allen Key (Figure 7).

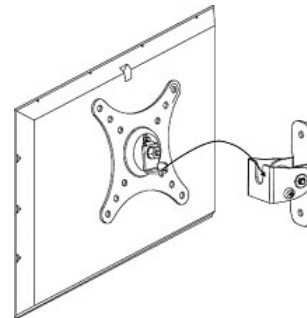


Figure 4

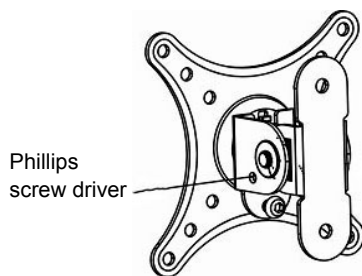


Figure 5

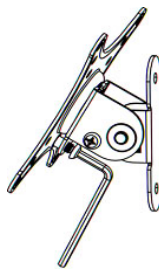


Figure 6

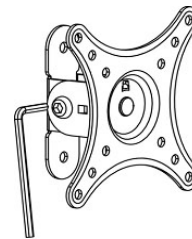


Figure 7

## **Maintenance**

---

**Check the mounting screws every two months for tightness.**

**Important: If you don't understand the installation instructions, please consult an installation specialist.**

**Blank Page**

**Blank Page**

## **Technical Support and Warranty**

QUESTIONS? SIIG's Online Support has answers! Simply visit our web site at [www.siig.com](http://www.siig.com) and click Support. Our online support database is updated daily with new drivers and solutions. Answers to your questions could be just a few clicks away. You can also submit questions online and a technical support analysts will promptly respond.

SIIG offers a 5-year manufacturer warranty with this product. This warranty covers the original purchaser and guarantees the product to be free of any defects in materials or workmanship for five (5) years from the date of purchase of the product.

SIIG will, at our discretion, repair or replace (with an identical product or product having similar features and functionality) the product if defective in materials or workmanship. This warranty gives you specific legal rights, and you may also have other rights which vary from state to state. Please see our web site for more warranty details.

If you encounter any problems with this product, please follow the procedures below.

A) If it is within the store's return policy period, please return the product to the store where you purchased from.

B) If your purchase has passed the store's return policy period, please follow these steps to have the product repaired or replaced.

**Step 1:** Submit your RMA request.

Go to [www.siig.com](http://www.siig.com), click Support, then click RMA to submit an request to SIIG RMA or fax a request to 510-657-5962. If the product is determined to be defective, an RMA number will be issued.

**Step 2:** After obtaining an RMA number, ship the product.

- Properly pack the product for shipping. All software, cable(s) and any other accessories that came with the original package must be included.

- Clearly write your RMA number on the top of the returned package. SIIG will refuse to accept any shipping package, and will not be responsible for a product returned without an RMA number posted on the outside of the shipping carton.

- You are responsible for the cost of shipping. Ship the product to the following address:

SIIG, Inc.  
6078 Stewart Avenue  
Fremont, CA 94538-3152, USA  
RMA #: \_\_\_\_\_

- SIIG will ship the repaired or replaced product via Ground in the U.S. and International Economy outside of the U.S. at no cost to the customer.

## **About SIIG, Inc.**

Founded in 1985, SIIG, Inc. is a leading computer upgrade manufacturer of I/O connectivity products, including PCI & ISA serial and parallel ports, USB, Serial ATA & UltraATA controllers, FireWire (1394a/b), networking, sound cards, and other accessories. SIIG is the premier one-stop source of upgrades. SIIG products offer comprehensive user manuals, many user-friendly features, and are backed by an extensive manufacturer warranty. High-quality control standards are evident by the overall ease of installation and compatibility of our products, as well as one of the lowest defective return rates in the industry. SIIG products can be found in computer retail stores, mail order catalogs, through major distributors, system integrators, and VARs in the Americas and the UK, and through e-commerce sites.

<p><b>Product Name</b></p>
----------------------------

<p>LCD TV/Monitor Tilting Mount - 10" to 26"</p>
--

LCD TV/Monitor Tilting Mount - 10" to 26" is a trademark of SIIG, Inc. SIIG and the SIIG logo are registered trademarks of SIIG, Inc. Other names used in this publication are for identification only and may be trademarks of their respective companies.

September, 2010

Copyright © 2010 by SIIG, Inc. All rights reserved.



## Free Manuals Download Website

<http://myh66.com>

<http://usermanuals.us>

<http://www.somanuals.com>

<http://www.4manuals.cc>

<http://www.manual-lib.com>

<http://www.404manual.com>

<http://www.luxmanual.com>

<http://aubethermostatmanual.com>

Golf course search by state

<http://golfingnear.com>

Email search by domain

<http://emailbydomain.com>

Auto manuals search

<http://auto.somanuals.com>

TV manuals search

<http://tv.somanuals.com>