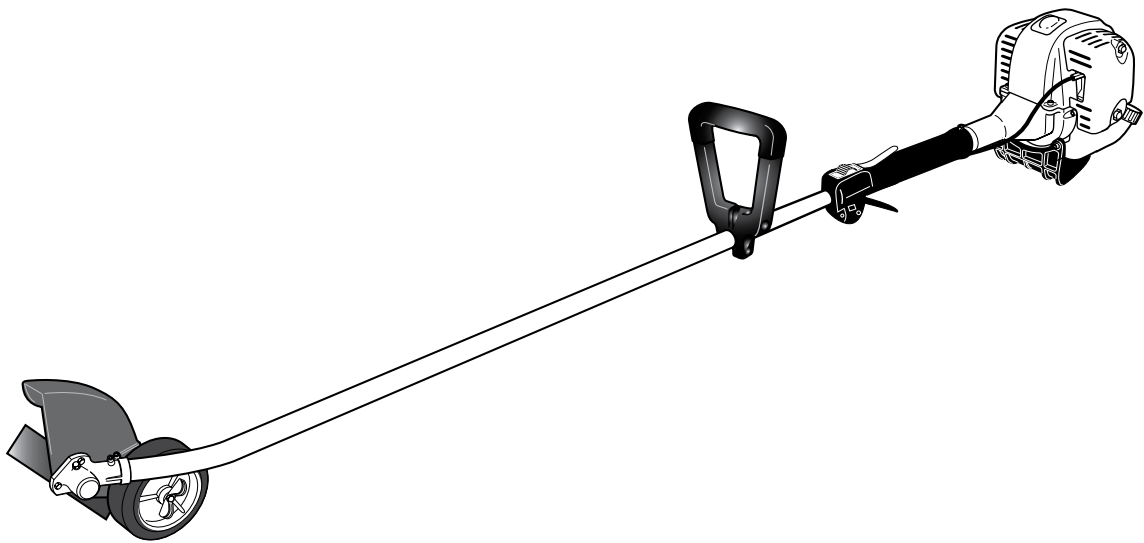


**SHINDAIWA OWNER'S/OPERATOR'S MANUAL**

# **LE2510/EVC LAWN EDGER**



**WARNING!**

Always wear eye protection when operating this machine. To minimize the risk of injury, read this manual and familiarize yourself with its contents.

**shindaiwa**<sup>®</sup>

Part Number 89307 Rev. 06/09

## Introduction

The Shindaiwa C4 series has been designed and built to deliver superior performance and reliability without compromise to quality, comfort, safety or durability.

Shindaiwa engines represent the leading edge of high-performance engine technology, delivering exceptionally high power with remarkably low displacement and weight. As an owner/operator, you'll soon discover for yourself why Shindaiwa is simply in a class by itself!

Shindaiwa Inc. reserves the right to make changes to products without prior notice, and without obligation to make alterations to units previously manufactured.

### IMPORTANT!

The information contained in these instructions describes units available at the time of publication.



### WARNING!

The engine exhaust from this product contains chemicals known to the State of California to cause cancer, birth defects or other reproductive harm.

## Contents

	PAGE		PAGE		PAGE
Attention Statements .....	2	Mixing fuel.....	7	Checking Unit Condition.....	9
Safety.....	3	Filling the fuel tank.....	7	Operation .....	10
Product Description.....	5	Starting the Engine .....	8	Maintenance .....	11
Specifications.....	5	Stopping the Engine .....	9	Troubleshooting Guide .....	16
Assembly.....	6	Adjusting Engine Idle .....	9	Emission System Warranty Statement .	19

### IMPORTANT!

The operational procedures described in this manual are intended to help you get the most from this unit as well as to protect you and others from harm. These procedures are guidelines for safe operation under most conditions, and are not intended to replace any safety rules and/or laws that may be in force in your area. If you have questions regarding your Shindaiwa hand held power equipment, or if you do not understand something in this manual, contact your local Shindaiwa dealer for assistance. You may also contact Shindaiwa Inc. at the address printed on the back of this Manual.

## Attention Statements

Throughout this manual are special "attention statements".



### DANGER!

A statement preceded by the triangular attention symbol and the word "DANGER" contains information that should be acted upon to prevent serious injury or death.



### WARNING!

A statement preceded by the triangular attention symbol and the word "WARNING" contains information that should be acted upon to prevent serious bodily injury.

### IMPORTANT!

A statement preceded by the word "IMPORTANT" is one that possesses special significance.

### CAUTION!

A statement preceded by the word "CAUTION" contains information that should be acted upon to prevent mechanical damage.

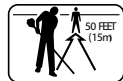
### NOTE:

A statement preceded by the word "NOTE" contains information that is handy to know and may make your job easier.

## Operational and warning labels



Read and follow this manual, make sure anyone using the unit does likewise. Failure to do so could result in serious personal injury or machine failure. Keep this manual for future reference.



Make sure no one is within 15 M / 50 feet of an operating machine.



Beware of thrown or ricocheted objects



Keep feet away from blade. Rotating blade may cause injury. Blade may continue to rotate after the unit is shut off.





Always wear a hard hat to reduce the risk of head injuries during operation of this machine. In addition, always wear eye and hearing protection. Shindaiwa recommends wearing a face shield as additional face and eye protection.

# Safety

## Work Safely


This machine operates at very high speeds and has the potential to do serious damage if misused, abused or mishandled. To reduce the risk of injury, you must maintain control at all times, and observe all safety precautions during operation. Never permit a person without training or instruction to operate this machine!

**WARNING!**  Never operate power equipment of any kind if you are tired or if you are under the influence of alcohol, drugs, medication or any other substance that could affect your ability or judgement. 

**WARNING!**  Never make unauthorized attachment installations. Do not use attachments not approved by Shindaiwa for use on this unit.

## Stay Alert

You must be physically and mentally fit to operate this unit safely.

**WARNING!**  Use Good Judgement

**ALWAYS** wear eye protection to shield against thrown objects.

**NEVER** run the engine when transporting the unit.

**NEVER** run the engine indoors! Make sure there is always good ventilation. Fumes from engine exhaust can cause serious injury or death.

**ALWAYS** use the proper cutting tool for the job.

**ALWAYS** clear your work area of trash or hidden debris that could be thrown back at you or toward a bystander.

**ALWAYS** stop the engine immediately if it suddenly begins to vibrate or shake. Inspect for broken, missing or improperly installed parts or attachments.

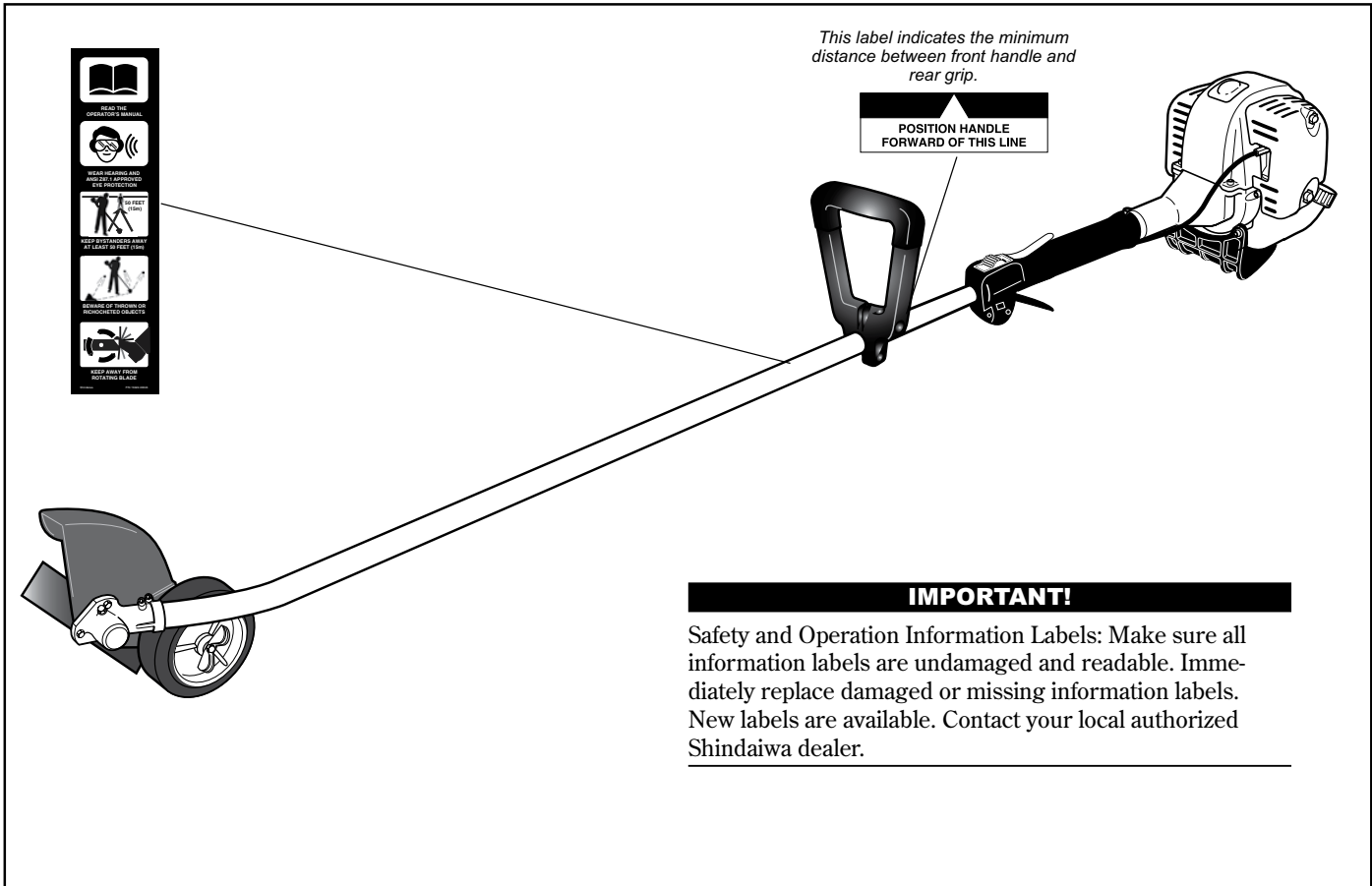
**ALWAYS** keep the unit as clean as practical. Keep it free of loose vegetation, mud, etc.

**ALWAYS** hold the unit firmly with both hands when cutting or trimming, and maintain control at all times.

**ALWAYS** keep the handles clean.

**ALWAYS** disconnect the spark plug wire before performing any maintenance work.

## Safety Labels



*This label indicates the minimum distance between front handle and rear grip.*

**POSITION HANDLE FORWARD OF THIS LINE**

**IMPORTANT!**

Safety and Operation Information Labels: Make sure all information labels are undamaged and readable. Immediately replace damaged or missing information labels. New labels are available. Contact your local authorized Shindaiwa dealer.

**READ THE OPERATOR'S MANUAL**

**WEAR PROTECTIVE EYEWEAR AND PROTECTIVE HEADWEAR AT ALL TIMES**

**KEEP BYSTANDERS AWAY AT ALL TIMES**

**BEWARE OF THROWN OR DISINTEGRATED OBJECTS**

**KEEP AWAY FROM ROTATING BLADE**

## Safety (continued)

### The properly equipped operator

Wear nonslip heavy-duty work gloves to improve your grip on the unit's handle. Wear snug-fitting clothes that also permit freedom of movement. NEVER wear shorts!

Always wear eye protection such as goggles or safety glasses. Wear hearing protection devices and a broad-brimmed hat or helmet.

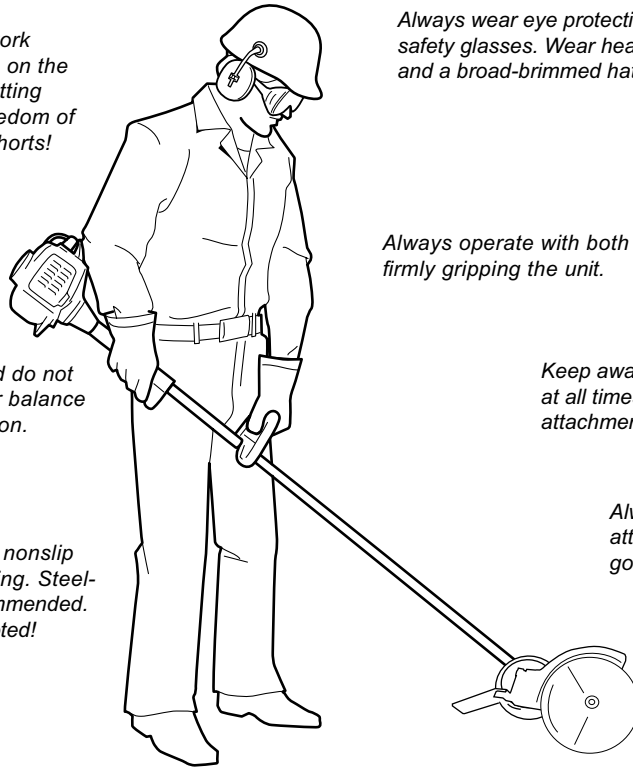
Always operate with both hands firmly gripping the unit.

Keep a proper footing and do not overreach—maintain your balance at all times during operation.

Keep away from rotating attachments at all times, and NEVER lift a moving attachment above waist-height.

Wear sturdy footwear with nonslip soles to provide good footing. Steel-toed safety boots are recommended. Never operate unit bare-footed!

Always make sure the appropriate cutting attachment shield is correctly installed and in good condition.



### Be aware of the working environment

Avoid long-term operation in very hot or very cold weather.

Make sure bystanders or observers outside the 15 meters "danger zone" wear eye protection.

Be extremely careful of slippery terrain, especially during rainy weather.

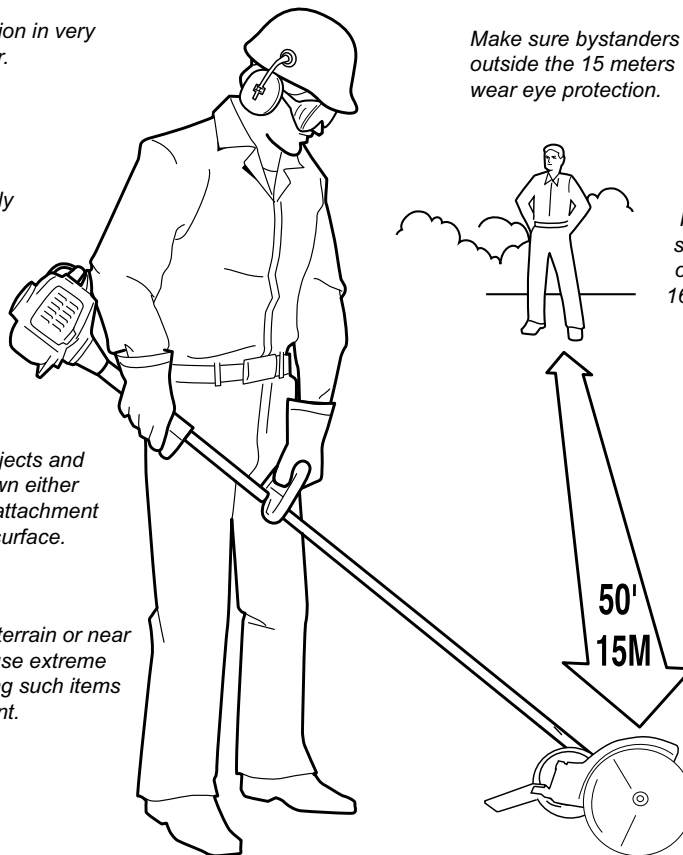
Reduce the risk of bystanders being struck by flying debris. Make sure no one is within 15 meters—that's about 16 paces—of an operating attachment.

Be constantly alert for objects and debris that could be thrown either from the rotating cutting attachment or bounced from a hard surface.

When operating in rocky terrain or near electric wires or fences, use extreme caution to avoid contacting such items with the cutting attachment.

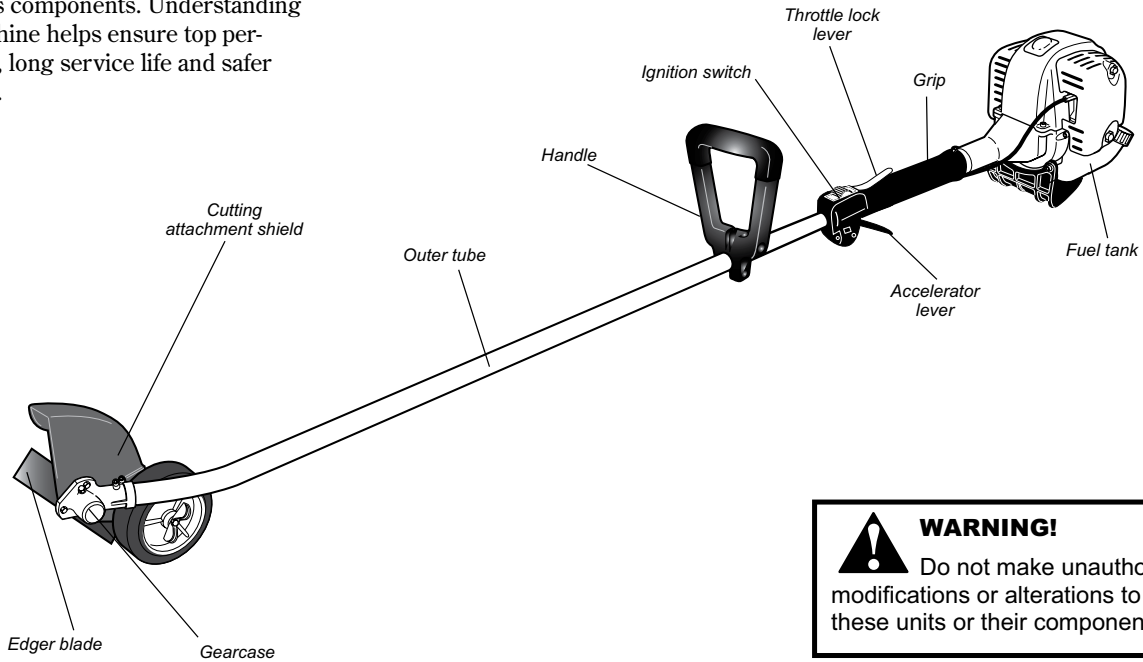
If contact is made with a hard object, stop the engine and inspect the cutting attachment for damage.

Always make sure the appropriate cutting attachment shield is correctly installed.



## Product Description

Using the illustration as a guide, familiarize yourself with your machine and its various components. Understanding your machine helps ensure top performance, long service life and safer operation.



## Specifications

<b>Engine model</b>	<b>SF2510E</b>
<b>Dry weight (Including attachments)</b>	6.1 kg / 13.4 lb.
<b>Engine type</b>	4-cycle, vertical cylinder, air cooled
<b>Bore x stroke</b>	34 x 27 mm / 1.3 x 1.1 in.
<b>Displacement</b>	24.5 cc / 1.5 cu. in.
<b>Maximum power</b>	1.1 HP / 0.8 kW @ 7500 rpm (min <sup>-1</sup> )
<b>Recommended idle speed</b>	3,000 (±250) min <sup>-1</sup> (rpm)
<b>Fuel/oil ratio</b>	50:1 with ISO-L-EGD or JASO FC class 2-cycle mixing oil*
<b>Carburetor type</b>	Walbro WYL, diaphragm-type
<b>Fuel tank capacity</b>	590 ml / 20.0 oz.
<b>Ignition</b>	One-piece electronic, program controlled
<b>Spark plug*</b>	NGK CMR5H
Electrode Gap	0.6 - 0.7 mm / .024 - .028 in.
Torque	100-150 kg cm / 9.8 - 14.7 N·m
<b>Air cleaner type</b>	Foam pre-filter; sealed felt main filter
<b>Starting method</b>	Recoil
<b>Stopping method</b>	Slide switch
<b>Transmission type</b>	Automatic, centrifugal clutch w/bevel gear
<b>EPA Emission Compliance Period**</b>	Category A

Specifications are subject to change without notice.

\*\* The EPA emission compliance referred to on the emission compliance label located on the engine, indicates the number of operating hours for which the engine has been shown to meet Federal emission requirements. Category C = 50 hours (Moderate), B = 125 hours (Intermediate) and A = 300 hours (Extended).

\* The NGK CMR5H also meets the requirements for electro magnetic compliance (EMC).

## Assembly

### Prior to assembly

Before assembling, make sure you have all the components required for a complete unit. Carefully inspect all components for damage.

- Outer Tube/Main Shaft Assembly
- Cutting Attachment Shield
- Edger Blade

- Kit containing cutting attachment shield, mounting bracket and hardware, this owner's/operator's manual, and a tool kit for routine maintenance.

### IMPORTANT!

The terms "left", "left-hand", and "LH"; "right", "right-hand", and "RH"; "front" and "rear" refer to directions as viewed by the operator during normal operation.

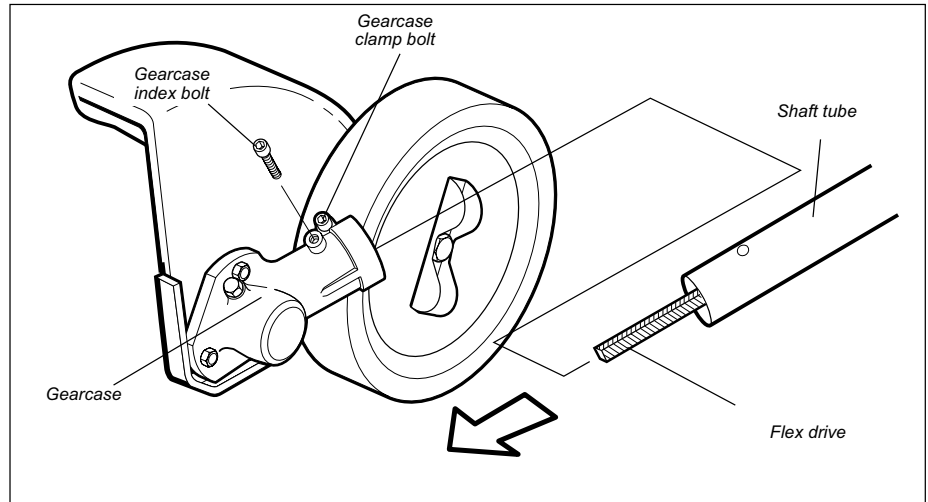
### Mounting the cutting attachment shield and edger blade

1. Loosen gearcase clamp bolt.
2. Remove the gearcase index bolt.
3. Slide the gearcase oriented as shown onto the shaft tube insuring that the flex drive is engaged in the gearcase.
4. Reinstall the index bolt and tighten securely.

#### NOTE:

It may be necessary to pull the flex cable out from the shaft tube, engage into the gearcase and then slide the assembly onto the shaft tube.

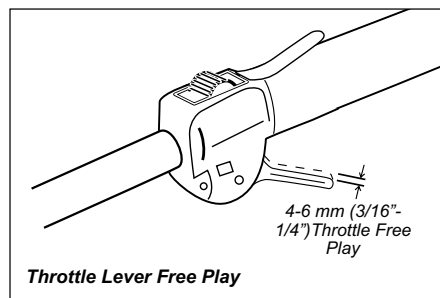
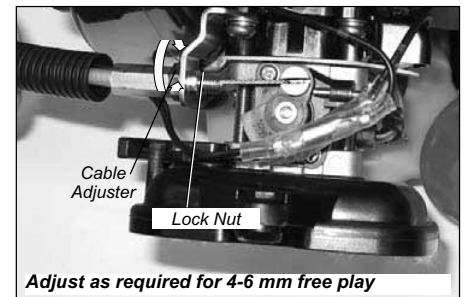
5. Tighten the clamp bolt and torque to 52 - 69 inch-pounds.



### Adjust Throttle Lever Free Play

The throttle lever free play should be approximately 4 - 6 mm (3/16" - 1/4"). Make sure that the throttle lever operates smoothly without binding. If it becomes necessary to adjust the lever free play, follow the procedures and illustrations that follow.

1. Loosen the air cleaner cover knob and remove the air cleaner cover.
2. Loosen the lock nut on the cable adjuster.
3. Turn the cable adjuster in or out as required to obtain proper free play 4-6 mm.
4. Tighten the locknut.
5. Reinstall the air cleaner cover.



## Mixing fuel

### CAUTION

Never use any type of gasoline containing more than 10% alcohol by volume! Some types of gasoline contain alcohol as an oxygenate. Oxygenated gasoline may cause increased operating temperatures. Under certain conditions, alcohol-based gasoline may also reduce the lubricating qualities of some 2-cycle mixing oils.

Generic oils and some outboard oils should never be used in your Shindaiwa engine.

### CAUTION

This engine is designed to operate on a 50:1 mixture consisting of unleaded gasoline and ISO-L-EGD or JASO FD class 2-cycle mixing oil only. Use of non-approved mixing oils can lead to excessive carbon deposits.

- Use only fresh, clean unleaded gasoline with a pump octane of 87 or higher.
- Mix all fuel with a 2-cycle air-cooled mixing oil that meets or exceeds ISO-L-EGD and/or JASO FD classified oils at 50:1 gasoline/oil ratio.


### CAUTION!


Mix and pour fuel outdoors where there are no sparks and flames.

### Examples of 50:1 mixing quantities

U.S.		METRIC	
Gasoline	2-cycle mixing oil	Gasoline	2-cycle mixing oil
US Gallons	Fl.oz.	Liter	cc.
1	2.6	4	80
2	5.2	8	160
5	13	20	400
10	25.6	30	600
20	51.2	50	1000
50	128	100	2000

### IMPORTANT!

Mix only enough fuel for your immediate needs! If fuel must be stored longer than 30 days and  oil with fuel stabilizer is not used, it should first be treated with a fuel stabilizer such as STA-BIL™.

 Oil is a registered JASO FD classified oil and also meets or exceeds ISO-L-EGD performance requirements. Shindaiwa One is recommended for use in all Shindaiwa low emissions engines. Shindaiwa One also includes a fuel stabilizer.

## Filling the fuel tank



### WARNING! Minimize the Risk of Fire

- **NEVER** smoke or light fires near the engine.
- **ALWAYS** stop the engine and allow it to cool before refueling.
- **ALWAYS** Wipe all spilled fuel and move at least 3 meters (10 feet) from the fueling point and source before starting.
- **NEVER** place flammable material close to the engine muffler.
- **NEVER** operate the engine without the muffler and spark arrester screen in place and in good working condition.

- **FUEL IS HIGHLY FLAMMABLE.**
- **ALWAYS** store gasoline in a container approved for flammable liquids.
- **ALWAYS** inspect the unit for fuel leaks before each use. During each refill, check that no fuel leaks from around the fuel cap and/or fuel tank. If fuel leaks are evident, stop using the unit immediately. Fuel leaks must be repaired before using the unit.
- **ALWAYS** move the unit at least 3 meters (10 feet) away from a fuel storage area or other readily flammable materials before starting the engine.

1. Place the unit on a flat, level surface.
2. Clear any dirt or other debris from around the fuel filler cap.

### CAUTION!

Slowly remove the fuel cap only after stopping the engine

3. Remove the fuel cap, and fill the tank with clean, fresh fuel.
4. Reinstall the fuel filler cap and tighten firmly.
5. Wipe away any spilled fuel before starting engine.



# Starting the Engine

## IMPORTANT!

Engine ignition is controlled by a two position switch mounted on the throttle housing labeled, "I" for ON or START and "O" for OFF or STOP.



### WARNING!

Never start the engine from the operating position.

1. Slide the ignition switch to the "ON" position.
2. Set the throttle lever to the "fast idle":
  - a. Squeeze the throttle lever toward the handgrip on the shaft tube.
  - b. Depress and hold the throttle lock button.
  - c. While depressing the throttle lock button, release the throttle lever.
3. Press the primer bulb until fuel can be seen flowing in the transparent return tube.

## IMPORTANT!

The primer system only pushes fuel through the carburetor. Repeatedly pressing the primer bulb will not flood the engine with fuel.

4. Set the choke lever to the CLOSED position if engine is cold.
5. While holding the outer tube firmly with left hand. Use your other hand to slowly pull the recoil starter until resistance is felt, then pull quickly to start the engine.

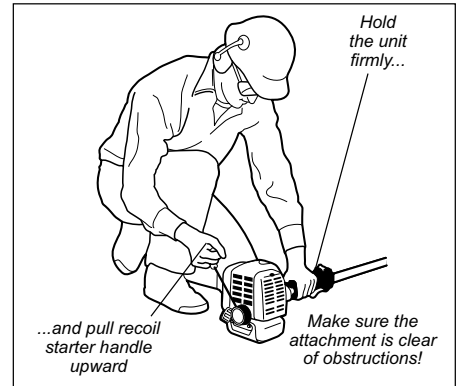
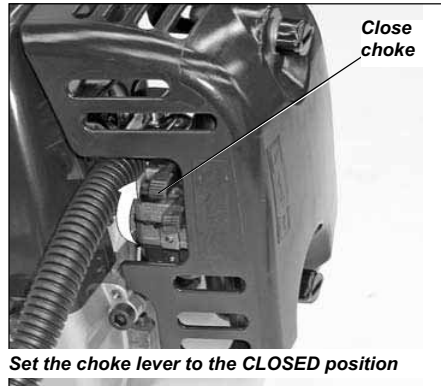
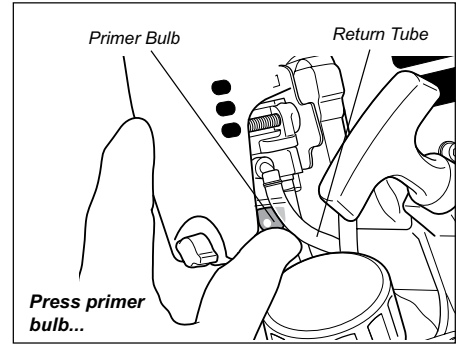
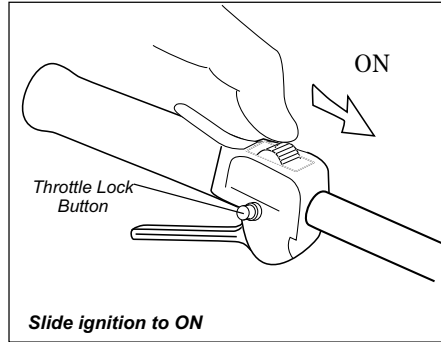
### CAUTION!

Do not pull the recoil starter to the end of the rope travel. Pulling the recoil starter to the end of the rope travel can damage the starter.



### WARNING!

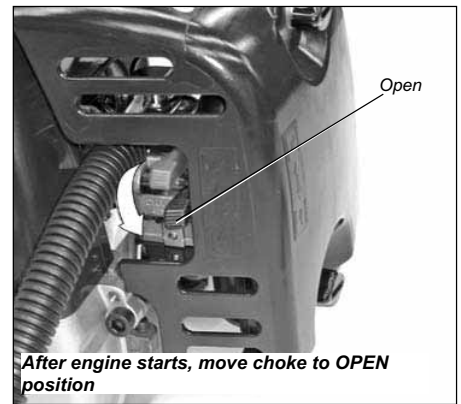
The cutting attachment may move when the engine is started!



6. When the engine starts, slowly move the choke lever to the "OPEN" position. (If the engine stops after the initial start, close the choke and restart.)
7. Operating the throttle will automatically disengage the fast idle setting.

## IMPORTANT!

If the engine fails to start after several attempts with the choke in the closed position, the engine may be flooded with fuel. If flooding is suspected, refer to the "Starting a Flooded Engine" section of this manual.



## When the Engine Starts...

- After the engine starts, allow the engine to warm up at idle 2 or 3 minutes before operating the unit.
- After the engine is warm, pick up the unit and clip on the shoulder strap, if so equipped.

- Advancing the throttle makes the cutting attachment move faster; releasing the throttle permits the attachment to stop moving. If the cutting attachment con-

tinues to move when the engine returns to idle, carburetor idle speed should be adjusted (see "Adjusting Engine Idle").



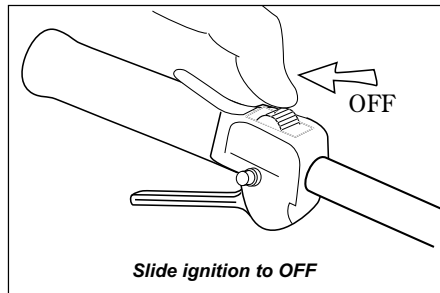
## Starting the Engine (continued)

### Starting A Flooded Engine

1. Disconnect the spark plug lead and use the spark plug wrench to remove the spark plug (turn counter clockwise to remove).
2. Slide the ignition switch to the "O" (STOP) position.
  - If the spark plug is fouled or soaked with fuel, clean the plug as necessary.
3. Open the choke and fully depress the throttle lever with your left hand, then pull the starter handle rapidly with your right hand to clear excess fuel from the combustion chamber.
4. Replace the spark plug and tighten it firmly with the spark plug wrench. If a torque wrench is available, torque the spark plug to the values recommended in the "Specifications" section.
5. Repeat the starting procedure for a warm engine.
6. If the engine still fails to start, refer to the troubleshooting section near the end of this manual.

## Stopping the Engine

Idle the engine briefly before stopping (about 2 minutes), then slide the ignition switch to the "O" (Engine OFF) position.



## Adjusting Engine Idle

The engine must return to idle speed whenever the throttle lever is released. Idle speed is adjustable, and must be set low enough to permit the engine clutch to disengage the cutting attachment.

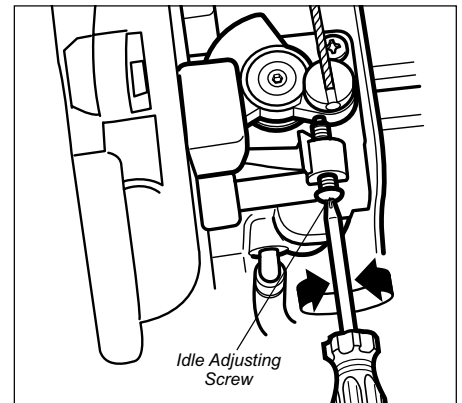


### WARNING!

The cutting attachment must NEVER rotate at engine idle! If the idle speed cannot be adjusted by the procedure described here, return the unit to your Shindaiwa dealer for inspection.

### Idle Speed Adjustment

1. Place the unit on the ground, then start the engine, and then allow it to idle 2-3 minutes until warm.
2. If the attachment rotates when the engine is at idle, reduce the idle speed by turning the idle adjustment screw counter-clockwise.
3. If a tachometer is available, adjust idle. Check Specifications page for correct idle speed



### NOTE

Carburetor fuel mixture adjustments are preset at factory and cannot be serviced in the field.

## Checking Unit Condition

**NEVER** operate the unit with the cutting attachment shield or other protective devices removed!

Use only authorized Shindaiwa parts and accessories with your Shindaiwa trimmer. Do not make modifications to this unit without written approval from Shindaiwa, Inc.

**ALWAYS** make sure the cutting attachment is properly installed and firmly tightened before operation.

**NEVER** use a cracked or warped cutting attachment: replace it with a serviceable one.

**ALWAYS** make sure the cutting attachment fits properly into the appropriate attachment holder. If a properly installed attachment vibrates, replace the attachment with new one and re-check.

**ALWAYS** stop the engine immediately and check for damage if you strike a foreign object or if the unit becomes tangled. Do not operate with broken or damaged equipment.

**NEVER** allow the engine to run at high RPM without a load. Doing so could damage the engine.

**NEVER** operate a unit with worn or damaged fasteners or attachment holders.



### WARNING!

A cutting attachment shield or other protective device is no guarantee of protection against ricochet. YOU MUST ALWAYS GUARD AGAINST FLYING DEBRIS!

## Operation

### Using a hand-held edger



#### WARNING!

- Wear eye protection, long pants, and boots when operating this machine!
- Whenever you strike a hard object with the blade, always stop the edger and carefully inspect the blade for damage. NEVER OPERATE THE EDGER WITH A DAMAGED BLADE!

- Before edging, make sure the area is soft enough so the blade does not bog down. If necessary, water the area before edging.
- Remove debris and other obstacles that could be thrown by the rotating blade.

- Plan your work so the edger blade is always on your right-hand side.
- Begin each pass by positioning the unit over the work, and with the engine running at about half-throttle. Slowly lower the blade to the ground while applying full throttle.
- Do not move the edger into the work so fast that the engine or blade bogs down.
- Regular and frequent use of the edger will make a neater lawn, and a frequently trimmed edge will be easier to maintain.

#### CAUTION!

Low-speed edging can lead to premature clutch failure.



### Adjusting blade cutting depth

The edger's depth of cut is controlled by a combination of operator height, blade wear, and the positioning of the edger's guide wheel.

#### To adjust blade height:

1. Loosen the guide wheel adjusting knob.
2. Raise or lower the guide wheel to the desired setting.
3. Tighten the guide wheel adjusting knob firmly.



#### WARNING!

Use only Shindaiwa replacement edger blades.

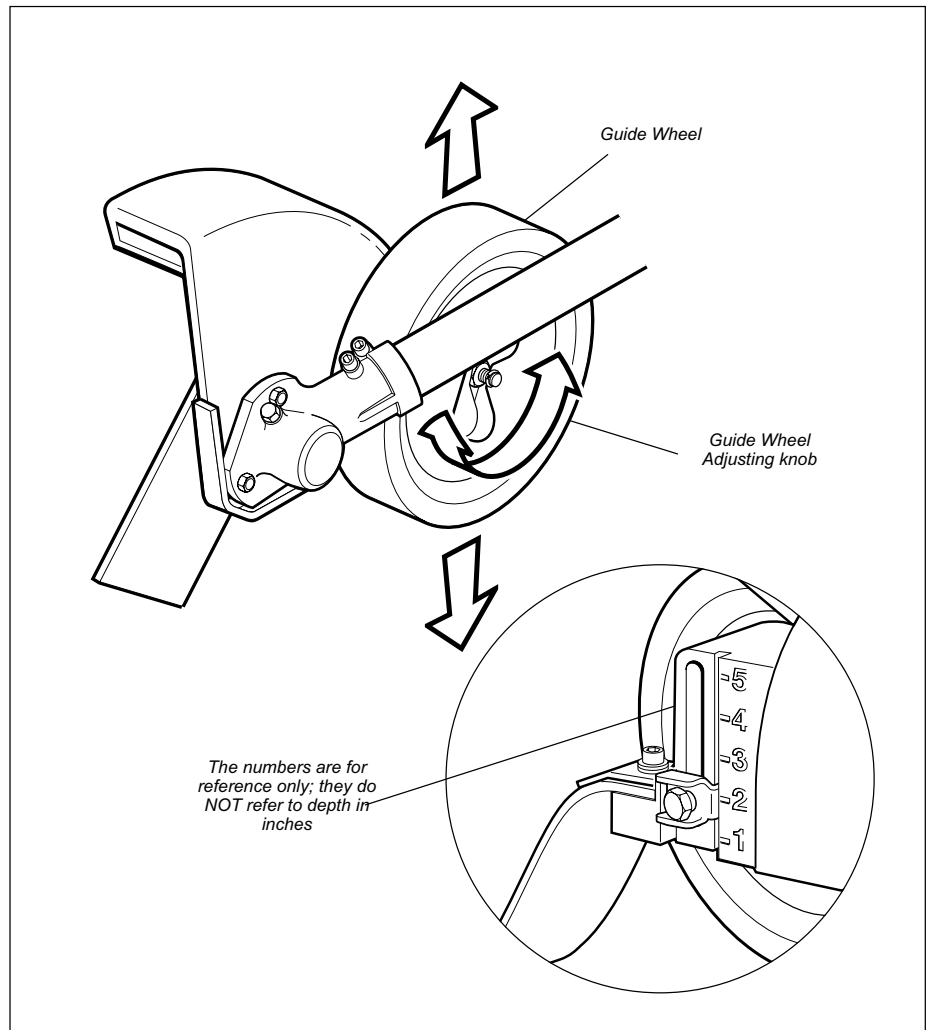


#### WARNING!

Never adjust the guide wheel while the engine is running.

#### NOTE:

Guide wheel adjustment is also required to compensate for blade wear.



# Maintenance

## General Maintenance

### IMPORTANT!

MAINTENANCE, REPLACEMENT OR REPAIR OF EMISSION CONTROL DEVICES AND SYSTEMS MAY BE PERFORMED BY ANY REPAIR ESTABLISHMENT OR INDIVIDUAL; HOWEVER, WARRANTY REPAIRS MUST BE PERFORMED BY A DEALER OR SERVICE CENTER AUTHORIZED BY Shindaiwa INC. THE USE OF PARTS THAT ARE NOT EQUIVALENT IN PERFORMANCE AND DURABILITY TO AUTHORIZED PARTS MAY IMPAIR THE EFFECTIVENESS OF THE EMISSION CONTROL SYSTEM AND MAY HAVE A BEARING ON THE OUTCOME OF A WARRANTY CLAIM.

### NOTE:

Using non-standard replacement parts could invalidate your Shindaiwa warranty.

### Muffler

This unit must never be operated with a faulty or missing spark arrester or muffler. Make sure the muffler is well secured and in good condition. A worn or damaged muffler is a fire hazard and may also cause hearing loss.

### Spark Plug

Keep the spark plug and wire connections tight and clean.



### WARNING!

Before performing any maintenance, repair, or cleaning work on the unit, make sure the engine and cutting attachment are completely stopped. Disconnect the spark plug wire before performing service or maintenance.



### WARNING!

Non-standard accessories, cutting attachment, or replacement parts may not operate properly with your unit and may cause damage and lead to personal injury.

### Fasteners

Make sure nuts, bolts, and screws (except carburetor adjusting screws) are tight.

### Air Filter

The C4 engine that powers your Shindaiwa model is a hybrid 4-stroke engine. As a hybrid, the engine is lubricated by oil mixed with the gasoline and air from the carburetor that moves through and around the internal parts of the engine in a similar way that a 2-stroke engine is lubricated. Without the heavy duty 2-stage air filter equipped on all C4 engines, dust and dirt could also move through the engine, decreasing engine life, increasing valve wear and the need for more frequent valve adjustments. To keep your C4 engine strong and reliable, Shindaiwa recommends that you check and service the air filter as instructed in the 10-Hour Maintenance section that follows.

### Blades

Keep blades sharp and check blade condition frequently. If a blade's performance changes suddenly, stop the engine and check the blade for cracks or other damage. Replace a damaged blade IMMEDIATELY!



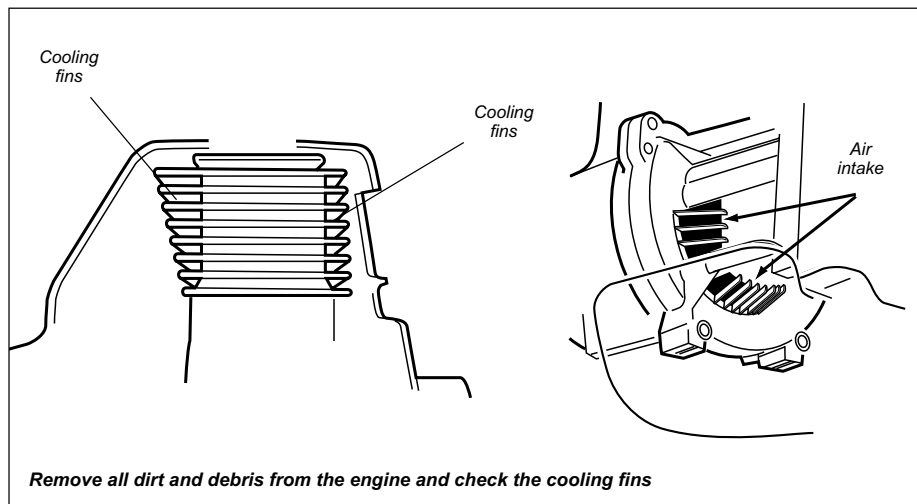
### WARNING!

- Never repair a damaged blade by welding, straightening, or by modifying its shape. An altered blade may break during operation, resulting in serious personal injury.
- Blades are not interchangeable between Shindaiwa edgers and unit/brushcutter models. Operating any unit with a blade or attachment not approved for that unit can be hazardous and may cause serious injury.

## Daily Maintenance

Prior to each work day, perform the following:

- Remove all dirt and debris from the engine, check the cooling fins and air cleaner for clogging, and clean as necessary.
- Clean any debris or dirt from the cutting attachment.
- Check the entire unit for leaking fuel or grease.
- Check for loose or missing screws or components. Make sure the cutter attachment is securely fastened.
- Make sure nuts, bolts, and screws (except carburetor idle speed adjusting screws) are tight.
- Carefully remove any accumulations of dirt or debris from the muffler and fuel tank. Check cooling air intake area at base of crankcase. Remove all debris. Dirt build-up in these areas can lead to engine overheating, fire, or premature wear.

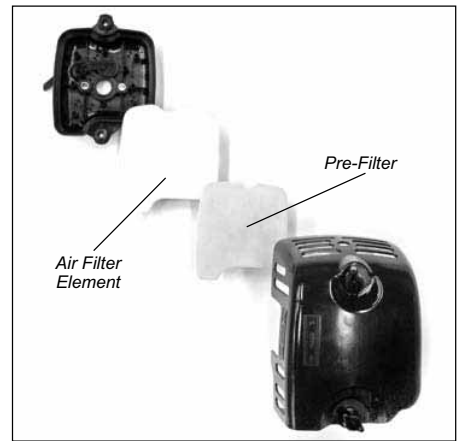
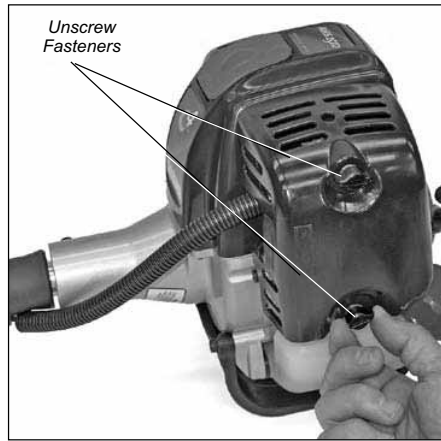


## Maintenance (continued)

### 10-Hour Maintenance

#### (more frequently in dusty conditions)

1. Remove the air cleaner cover by loosening the thumbscrews and lifting.
2. Remove and inspect the pre-filter. If the pre-filter is torn or otherwise damaged, replace it with a new one.
3. Clean the pre-filter with soap and water. Let dry before reinstalling.
4. Inspect the air filter element. If the element is damaged or distorted, replace it with a new one.
5. Tap filter gently on a hard surface to dislodge debris from element or use compressed air from the inside to blow debris out and away from the air filter element.
6. Install the air filter element, pre-filter and cover in the reverse order of removal.



#### IMPORTANT!

Direct the air stream at the inside face of the filter only!

#### CAUTION!

Never operate the unit if the air cleaner assembly is damaged or missing!

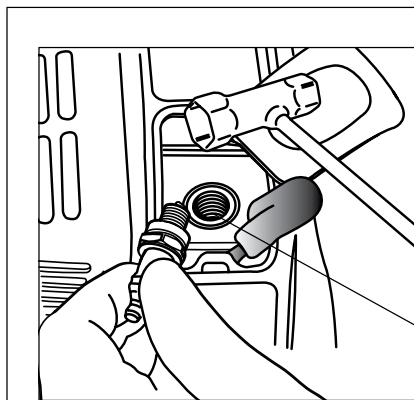
### 10/15-Hour Maintenance

#### Remove and clean or replace the spark plug.

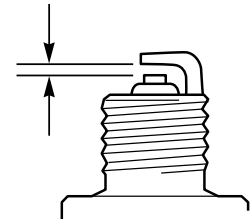
- Clean the spark plug. Adjust electrode gap according to the values listed in the "Specifications" section. If the spark plug must be replaced, use only the type recommended in "Specifications" or equivalent resistor type spark plug of the correct heat range.

#### CAUTION!

Before removing the spark plug, clean the area around the plug to prevent dirt and debris from getting into the engine's internal parts.



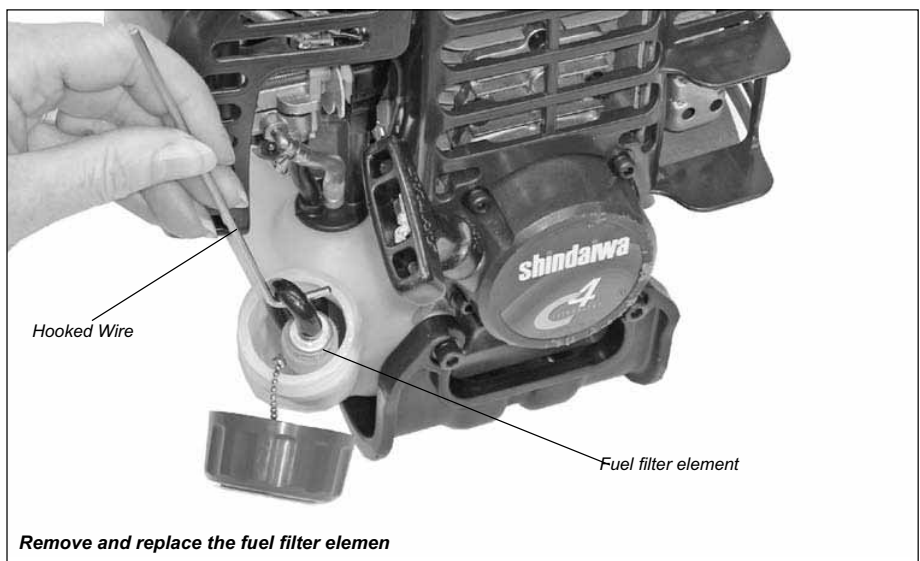
0.6-0.7 mm



### 50-hour Maintenance

#### Remove and replace the fuel filter element

- Before reinstalling the new fuel filter element, inspect the condition of all the fuel system components (fuel pick-up line, fuel return line, tank vent line, tank vent, fuel cap and fuel tank). If damage, splitting or deterioration is noted, the unit should be removed from service until it can be inspected or repaired by a Shindaiwa-trained service technician.



## Maintenance (continued)

### 50-hour Maintenance (continued)

#### Gearcase lubrication

■ Remove the shaft bolt, bolt guard, holder A, blade, holder B, and the output shaft collar. Press new grease into the gearcase until the old grease has been pushed out. Use only lithium-base grease.

#### Lubricate the Flexible Shaft

Lack of lubrication will cause rapid wear to the flexible shaft and also to the shaft tube liner, resulting in increased vibration and greatly decreased service life. Remove and lubricate the flexible shaft as follows:

1. Loosen the gearcase clamp screw.
2. Remove the gearcase index screw.
3. Slide the gearcase and shield assembly from the shaft tube.
4. Pull the flexible shaft from the shaft tube assembly, and clean the shaft thoroughly in solvent.
5. Inspect the shaft carefully, and replace if worn or damaged. If flexible shaft is worn and needs replacement, liner should also be replaced.
6. Coat the entire length of the shaft with a premium gearcase lube and reinstall the shaft in the shaft tube assembly.
7. Insert the flexible shaft into the female end of the gearcase pinion.

#### NOTE:

For extended shaft life, the flexible cable should be reversed end-for-end during the reinstallation process.

8. Reinstall the gearcase onto the outer tube in the reverse order of removal.

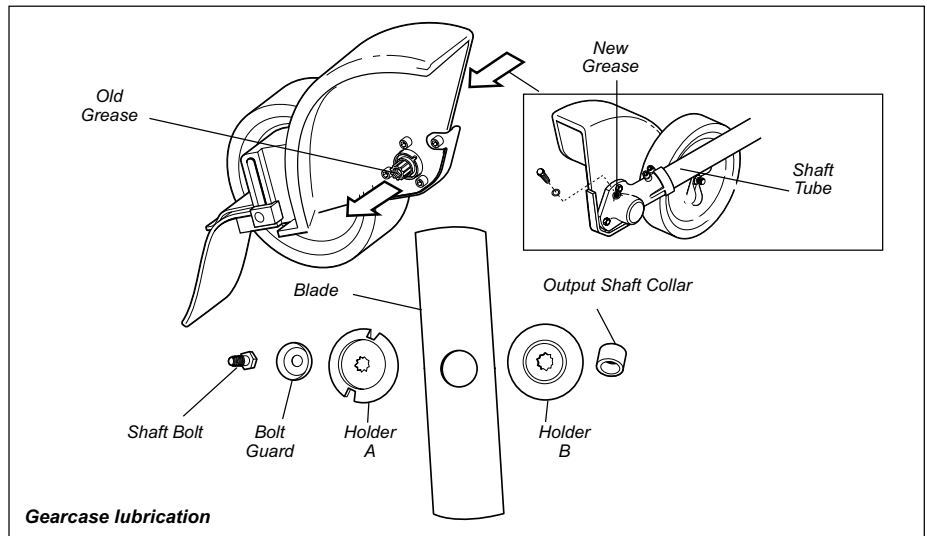
#### CAUTION!

The D-shaped shim washer must be positioned with its flat edge toward the shaft tube.

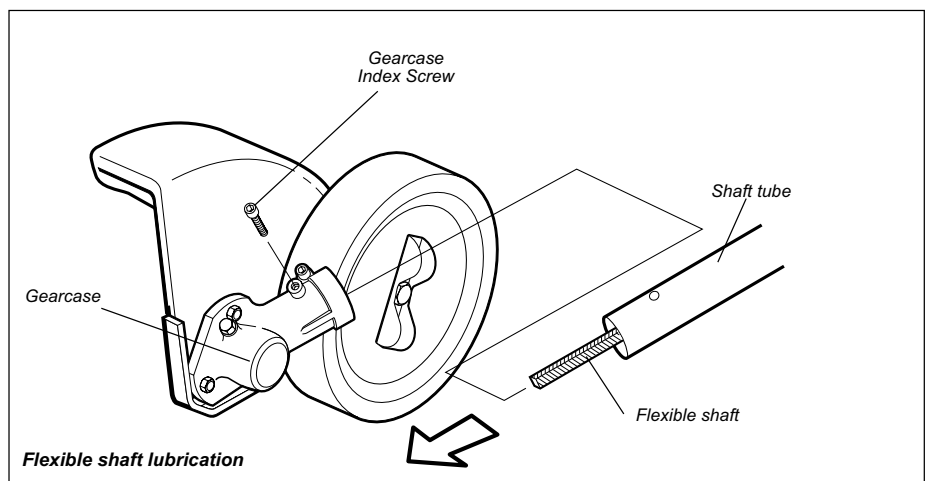
#### Inspect the Gearcase Protector

The metal gearcase protector is installed to protect the gearcase flange from damage when working close to sidewalks or other abrasive surfaces, and should be routinely inspected for damage or excessive wear.

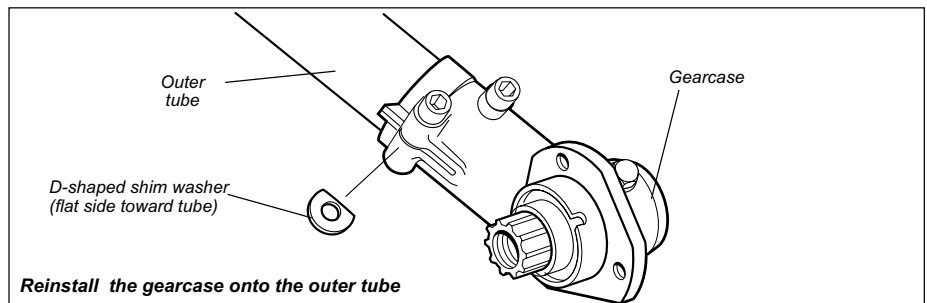
When replacing the protector, inspect to be sure that both of the protector mounting screws are firmly tightened and each screw is locked in place with a nut as shown.



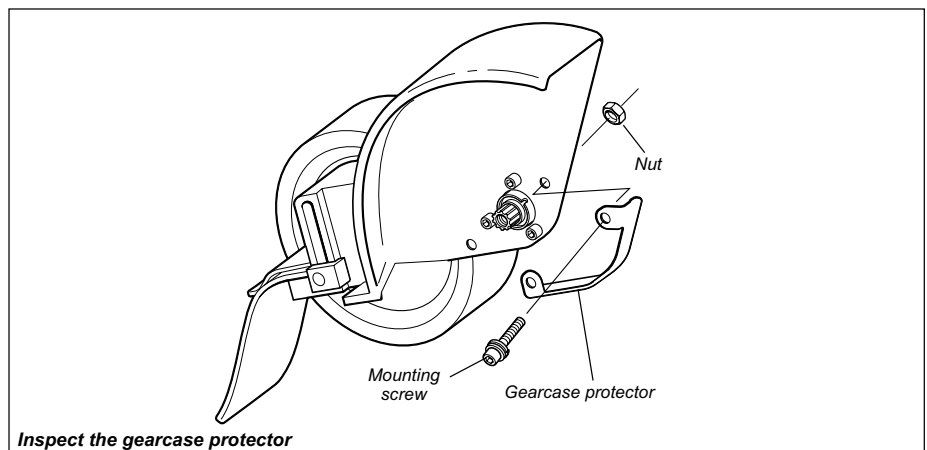
Gearcase lubrication



Flexible shaft lubrication



Reinstall the gearcase onto the outer tube



Inspect the gearcase protector



## Maintenance (continued) 139/150-Hour Maintenance

**Maintenance after first 139-hours, then every 150-hours thereafter.**

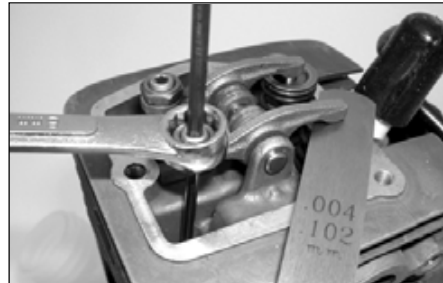
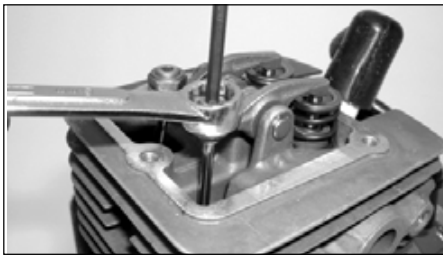
- Combustion chamber should be decarbonized, and the valve clearance should be adjusted. It is highly recommended that this is done by a Shindaiwa-trained service technician.

### Valve Adjustment

1. Remove cylinder cover, rocker arm cover, and spark plug. Rotate the crankshaft while observing the piston through the spark plug opening. When the piston is at the top of the compression stroke (TDC), the valves can be adjusted.

#### CAUTION!

- Performing a valve adjustment incorrectly may cause hard starting and/or can damage the engine.
- If you are unfamiliar with this engine or uncomfortable with this procedure, consult with an authorized Shindaiwa servicing dealer.



2. Loosen adjuster locknut so that the 2.5 mm Allen socket head adjustment screw can turn freely.
3. Insert 0.10 mm feeler gauge between valve stem tip and rocker arm.
4. Turn adjustment screw (clockwise = tighter, counter-clockwise = looser) until feeler gauge is almost snug. Back off just enough to allow gauge to slip out with limited resistance.
5. While holding the adjustment screw in place with the Allen driver, tighten the locknut with a wrench.



6. Turn engine over several times, and return to TDC-compression. Recheck with proper feeler gauge to make sure clearance adjustment did not change as a result of tightening the locknut. Readjust as necessary.
7. Replace rocker arm cover gasket to assure proper sealing and install cover.

#### IMPORTANT!

If a new gasket is not available and/or the old gasket is not damaged, the old gasket may be reused. Never use cracked or damaged gaskets!

### Long Term Storage

Whenever the unit will not be used for 30 days or longer, use the following procedures to prepare it for storage:

- Clean external parts thoroughly.
- Drain all the fuel from the carburetor and the fuel tank.

#### IMPORTANT!

All stored fuels should be stabilized with a fuel stabilizer such as STA-BIL.

#### CAUTION!

Gasoline stored in the carburetor for extended periods can cause hard starting, and could also lead to increased service and maintenance costs.

- Remove remaining fuel from the fuel lines and carburetor with the fuel drained from the fuel tank. To do so:
  1. Prime the primer bulb until no more fuel is passing through.
  2. Start and run the engine until it stops running.
  3. Repeat steps 1 and 2 until the engine will no longer start.
- Remove the spark plug and pour about 7 mL (1/4 oz.) of 2-cycle mixing oil into the cylinder through the spark plug hole. Slowly pull the recoil starter 2 or 3 times so oil will evenly coat the interior of the engine. Reinstall the spark plug.

- Before storing the unit, repair or replace any worn or damaged parts.
- Remove the air cleaner element from the carburetor and clean it thoroughly with soap and water, let dry and reassemble the element.
- Store the unit in a clean, dust-free area.

## Maintenance (continued)

### Muffler Maintenance

If the engine becomes sluggish and low on power, check and clean the spark arrester screen.



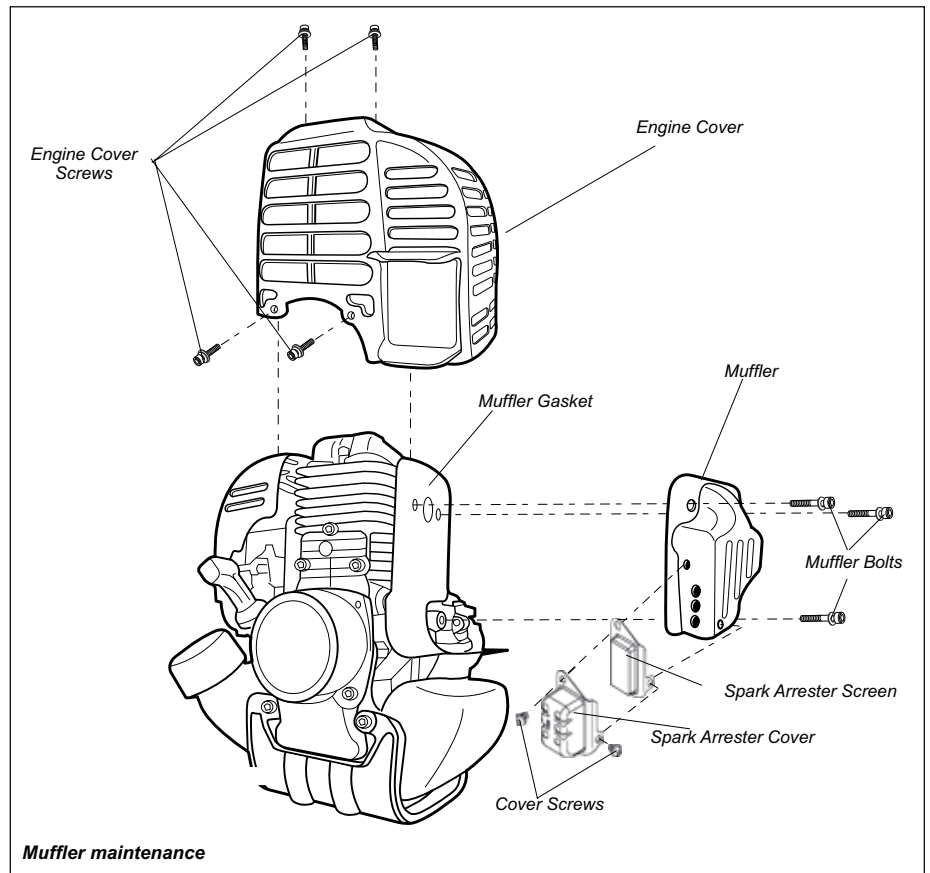
#### WARNING!

Never operate the unit with a damage or missing muffler or spark arrester! Operating with a missing or damaged spark arrester is a fire hazard and could also damage your hearing.

1. With a 3 mm hex wrench remove the 4 engine cover screws and the engine cover.
2. With a 4 mm hex wrench, remove the 3 muffler bolts and the muffler.
3. With a small flat bladed screwdriver remove the 2 screws holding the spark arrester screen and cover to the muffler.
4. Remove the screen and clean it with a stiff bristle brush.
5. Inspect the cylinder exhaust port for any carbon buildup.
6. Reassemble the spark arrester, muffler and engine cover in the reverse order of disassembly.

#### IMPORTANT!

If you note excessive carbon buildup, consult with an authorized Shindaiwa servicing dealer.



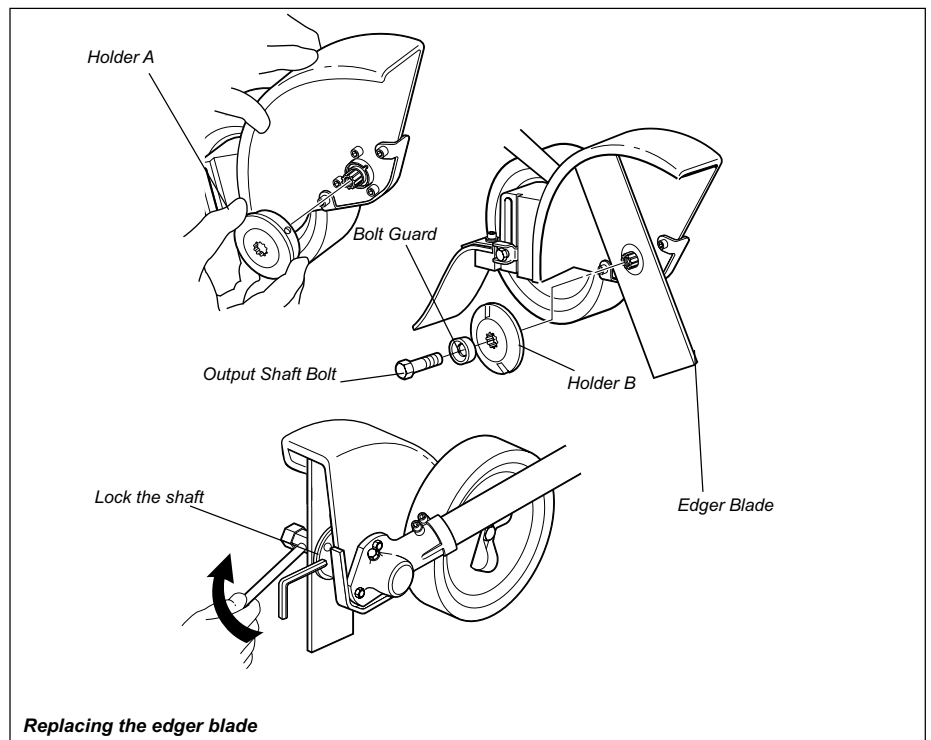
### Replacing the edger blade



#### WARNING!

Always wear gloves when handling the edger blade.

1. Align the hole in holder A with the matching hole in the gearcase and then use the hex wrench to temporarily lock the output shaft.
2. Use the combination wrench to loosen the shaft bolt then remove the output shaft bolt, Holder B and the edger blade from the gearcase.
3. Mount the edger blade and holder B onto the shaft, and then install the bolt guard and shaft bolt (turn bolt counter-clockwise to install).
4. Align the hole in holder A with the matching hole in the gearcase, and then use the hex wrench to temporarily lock the output shaft.
5. Use the combination wrench to firmly tighten the shaft bolt. Remove the hex wrench.





What To Check	Possible Cause	Remedy
<p>Does the engine crank?</p> <p>YES</p>	<p>NO</p> <ul style="list-style-type: none"> <li>Faulty recoil starter.</li> <li>Fluid in the crankcase.</li> <li>Internal damage.</li> </ul>	<ul style="list-style-type: none"> <li>Consult with an authorized servicing dealer.</li> </ul>
<p>Good compression?</p> <p>YES</p>	<p>NO</p> <ul style="list-style-type: none"> <li>Loose spark plug.</li> <li>Excess wear on cylinder, piston, rings.</li> </ul>	<ul style="list-style-type: none"> <li>Tighten and re-test.</li> <li>Consult with an authorized servicing dealer.</li> </ul>
<p>Does the tank contain fresh fuel of the proper grade?</p> <p>YES</p>	<p>NO</p> <ul style="list-style-type: none"> <li>Fuel incorrect, stale, or contaminated; mixture incorrect.</li> </ul>	<ul style="list-style-type: none"> <li>Refill with fresh, clean unleaded gasoline with a pump octane of 87 or higher mixed with a premium 2-cycle mixing oil or with an equivalent high quality 2-cycle mixing oil.</li> </ul>
<p>Is fuel visible and moving in the return line when priming?</p> <p>YES</p>	<p>NO</p> <ul style="list-style-type: none"> <li>Check for clogged fuel filter and/or vent.</li> </ul>	<ul style="list-style-type: none"> <li>Replace fuel filter or vent as required. Restart.</li> </ul>
<p>Is there spark at the spark plug wire terminal?</p> <p>YES</p>	<p>NO</p> <ul style="list-style-type: none"> <li>The ignition switch is in "O" (OFF) position.</li> <li>Shorted ignition ground.</li> <li>Faulty ignition unit.</li> </ul>	<ul style="list-style-type: none"> <li>Move switch to "I" (ON) position and restart.</li> <li>Consult with an authorized servicing dealer.</li> </ul>
<p>Check the spark plug.</p>	<ul style="list-style-type: none"> <li>If the plug is wet, excess fuel may be in the cylinder.</li> <li>The plug is fouled or improperly gapped.</li> <li>The plug is damaged internally or of the wrong size.</li> </ul>	<ul style="list-style-type: none"> <li>Crank the engine with the plug removed, reinstall the plug, and restart.</li> <li>Clean the spark plug. Check the <i>Specifications</i> section for the correct plug and gap for your unit. Restart.</li> <li>Replace the spark plug. Check the <i>Specifications</i> section for the correct plug and gap for your unit. Restart.</li> </ul>

# Troubleshooting Guide (continued)

## LOW POWER

What To Check	Possible Cause	Remedy
<p>Is the engine overheating?</p>	<p>Operator is overworking the unit.</p> <p>Carburetor mixture is too lean.</p> <p>Improper fuel ratio.</p> <p>Fan, fan cover, cylinder fins dirty or damaged</p> <p>Carbon deposits on the piston or in the muffler.</p>	<p>Operate at slower rate.</p> <p>Consult with an authorized servicing dealer.</p> <p>Refill with clean fresh unleaded gasoline with a pump octane of 87 or higher, mixed with a premium 2-cycle mixing oil at a 50:1 gasoline/oil ratio.</p> <p>Clean, repair or replace as necessary.</p> <p>Consult with an authorized servicing dealer</p>
<p>Engine is rough at all speeds. May also have black smoke and/or unburned fuel at the exhaust.</p>	<p>Clogged air cleaner element.</p> <p>Loose or damaged spark plug.</p> <p>Air leakage or clogged fuel line.</p> <p>Water in the fuel.</p> <p>Piston seizure.</p> <p>Faulty carburetor and/or diaphragm</p>	<p>Clean or replace the air filter</p> <p>Tighten or replace the spark plug. Restart. Check the <i>Specifications</i> section in this manual for the correct spark plug for this unit.</p> <p>Repair or replace fuel filter and/or fuel line.</p> <p>Refill with fresh fuel/oil mixture.</p> <p>Consult with an authorized servicing dealer.</p>
<p>Engine is knocking.</p>	<p>Overheating condition.</p> <p>Improper fuel.</p> <p>Carbon deposits in the combustion chamber.</p> <p>Valve clearance set incorrectly.</p>	<p>Consult with an authorized servicing dealer.</p> <p>Check fuel octane rating; check for presence of alcohol in the fuel. Refuel as necessary.</p> <p>Consult with an authorized servicing dealer.</p>

## Troubleshooting Guide (continued)

### ADDITIONAL PROBLEMS

What To Check	Possible Cause	Remedy
Poor acceleration.	<ul style="list-style-type: none"> <li>Clogged air filter.</li> <li>Clogged fuel filter.</li> <li>Lean fuel/air mixture.</li> <li>Idle speed set too low.</li> </ul>	<ul style="list-style-type: none"> <li>Clean or replace the air filter.</li> <li>Replace the fuel filter.</li> <li>Consult with an authorized servicing dealer.</li> <li>Adjust idle. Check Specifications page for correct idle speed.</li> </ul>
Engine stops abruptly.	<ul style="list-style-type: none"> <li>Switch turned off.</li> <li>Fuel tank empty.</li> <li>Clogged fuel filter.</li> <li>Water in the fuel.</li> <li>Shorted spark plug or loose terminal.</li> <li>Ignition failure.</li> <li>Piston seizure.</li> </ul>	<ul style="list-style-type: none"> <li>Reset the switch and re-start.</li> <li>Refuel. See Fuel section of manual.</li> <li>Replace fuel filter.</li> <li>Drain; replace with clean fuel. See Fuel section of manual..</li> <li>Clean or replace spark plug. Check the Specifications page in this manual for the proper spark plug for your unit. Tighten the terminal.</li> <li>Replace the ignition unit.</li> <li>Consult with an authorized servicing dealer</li> </ul>
Engine difficult to shut off.	<ul style="list-style-type: none"> <li>Ground (stop) wire is disconnected or switch is defective</li> <li>Overheating due to incorrect spark plug</li> <li>Overheated engine.</li> </ul>	<ul style="list-style-type: none"> <li>Test and replace as required.</li> <li>Replace the spark plug. Check the Specifications page in this manual for the proper spark plug for your unit.</li> <li>Idle engine until cool.</li> </ul>
Top of engine is getting dirty and oily.	<ul style="list-style-type: none"> <li>Valve cover is leaking.</li> </ul>	<ul style="list-style-type: none"> <li>Consult with an authorized servicing dealer.</li> </ul>
Engine will not idle down.	<ul style="list-style-type: none"> <li>Idle set too high.</li> <li>Engine has an air leak.</li> </ul>	<ul style="list-style-type: none"> <li>Adjust idle. Check Specifications page for correct idle speed.</li> <li>Consult with an authorized servicing dealer.</li> </ul>
Cutting attachment moves at engine idle.	<ul style="list-style-type: none"> <li>Engine idle too high.</li> <li>Broken clutch spring or worn clutch spring boss.</li> <li>Loose attachment holder.</li> </ul>	<ul style="list-style-type: none"> <li>Adjust idle. Check Specifications page for correct idle speed.</li> <li>Replace spring/shoes as required, check idle speed.</li> <li>Inspect and re-tighten holders securely.</li> </ul>
Excessive vibration.	<ul style="list-style-type: none"> <li>Warped or damaged attachment.</li> <li>Loose gearcase.</li> <li>Bent main shaft/worn or damaged bushings.</li> </ul>	<ul style="list-style-type: none"> <li>Inspect and replace attachment as required.</li> <li>Tighten gearcase securely.</li> <li>Inspect and replace as necessary.</li> </ul>
Cutting attachment will not move.	<ul style="list-style-type: none"> <li>Shaft not installed in powerhead or gearcase.</li> <li>Broken shaft.</li> <li>Damaged gearcase.</li> </ul>	<ul style="list-style-type: none"> <li>Inspect and reinstall as required.</li> <li>Consult with a authorized servicing dealer.</li> </ul>

# Emission System Warranty Statement

---

## Your Warranty Rights and Obligations

The California Air Resources Board, the U.S. Environmental Protection Agency and Shindaiwa Inc. are pleased to explain the exhaust and evaporative emission control system warranty on your new small off-road (non-road) engine.

In California, new small off-road engines must be designed, built, and equipped to meet the State's stringent anti-smog standards. In other states, new 1997 and later non-road engines must meet the Federal EPA's stringent anti-smog standards.

Shindaiwa Inc. must warrant the emission control system on your small off-road engine for the periods of time listed below, provided there has been no abuse, neglect, or improper maintenance of your small off-road engine.

Your engine exhaust and evaporative emission control system includes parts such as the carburetor, fuel tank, the ignition system and, if equipped, the catalytic converter. These components are specifically listed below.

Where a warrantable condition exists, Shindaiwa Inc. will repair your small off-road engine at no cost to you including diagnosis, parts, and labor.

## Manufacturer's Warranty Coverage

When sold within the U.S., this engine's emission control system is warranted for a period of two (2) years from the date this product is first delivered to the original retail purchaser.

During the warranty period, Shindaiwa Inc. will, at their option, repair or replace any defective emission-related component on this engine. During the original Warranty Period, these Warranty Rights are automatically transferable to subsequent owners of this product.

## What is Covered by this Warranty

1. Carburetor Internal Components
  - Throttle Valve, Needle, Jet, Metering Diaphragm
2. Fuel Tank
3. Ignition System Components
  - Ignition Coil
  - Flywheel Rotor
4. Catalytic Converter (if originally equipped)

The emission control system for your particular Shindaiwa engine may also include certain related hoses and connectors.

## Owners Warranty Responsibilities

As the small off-road engine owner, you are responsible for the performance of the required maintenance listed in this owners manual. Shindaiwa Inc. recommends that you retain all receipts covering maintenance on your small off-road engine, but Shindaiwa Inc. cannot deny warranty solely for the lack of receipts or for your failure to ensure the performance of all scheduled maintenance.

As the small off-road engine owner, you should be aware, however, that Shindaiwa Inc. may deny you warranty coverage if your small off-road engine or a part has failed due to abuse, neglect, improper maintenance, or unapproved modifications.

You are responsible for presenting your small off-road engine to an authorized Shindaiwa Dealer as soon as a problem exists. The warranty repairs should be completed in a reasonable amount of time, not to exceed 30 days.

If you have any questions regarding your warranty rights and responsibilities, you should contact a Shindaiwa customer service representative at (503) 692-3070 or your local Shindaiwa Dealer.

## Consequential Damages

In the event that other component parts of this product are damaged by the failure of a warranted part, Shindaiwa Inc. will repair or replace such component parts at no charge to you.

## What is Not Covered

- Failures caused by abuse, neglect, or improper maintenance procedures.
- Failures caused by the use of modified or non-approved parts or attachments.

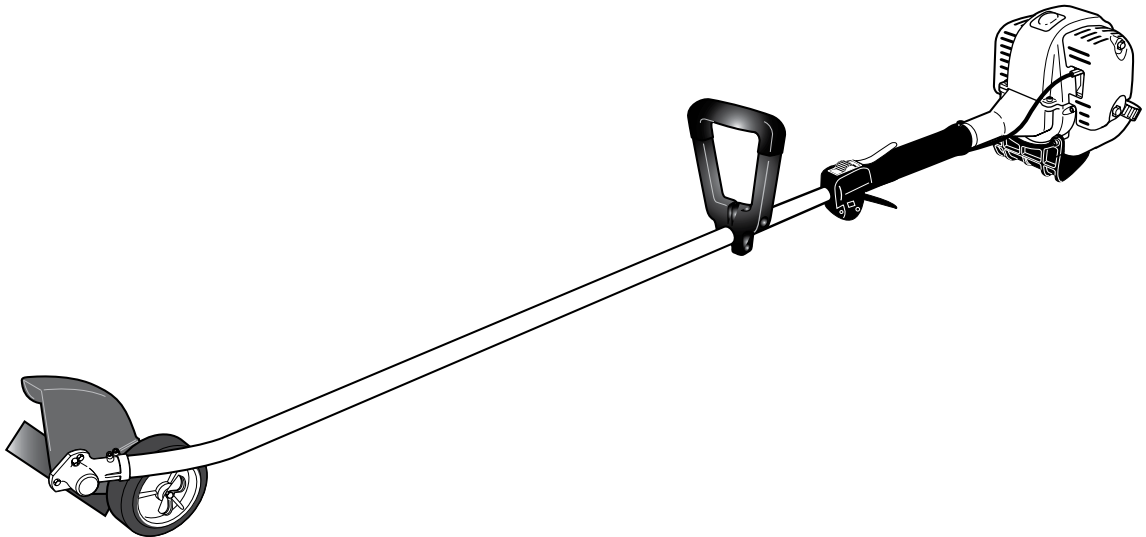
## This Warranty is Administered by:

Shindaiwa Inc.  
11975 S.W. Herman Rd.  
Tualatin, OR 97062  
(503) 692-3070



**MANUAL SHINDAIWA POR PROPIETARIO/OPERADOR**

# **ORILLADORA DE GRAMA LE2510/EVC**



**WARNING!**

Disminuya el riesgo de sufrir lesiones o causar lesiones a otros! Lea este manual y familiarícese con su contenido. Siempre use protección para los ojos y oídos cuando opere esta máquina.

**shindaiwa**®

Número de parte 89307 Rev 6/2009

## Introducción

La Orilladora de Grama Shindaiwa Serie C4 ha sido diseñada y construida para suministrar un rendimiento superior sin comprometer calidad, comodidad ni durabilidad.

Los motores Shindaiwa representan la tecnología líder de motores de alto rendimiento, de poco peso y pequeña cilindrada con excepcional alta potencia. Como propietario/operario, usted no tardará en comprobar que Shindaiwa es la única máquina en esta clase!

Shindaiwa Inc. se reserva el derecho de realizar cambios a sus productos sin previo aviso, y sin la obligación de hacer modificaciones a máquinas fabricadas previamente.

### ¡IMPORTANTE!

La información contenida en este manual describe unidades disponibles a la fecha de su publicación.



### ¡ADVERTENCIA!

Las emisiones emitidas por el tubo de escape de este producto contienen sustancias químicas que en el estado de California son consideradas como causantes de cáncer, defectos congénitos u otros efectos nocivos a la reproducción humana.

## Contenido

	Página		Página		Página
Seguridad.....	SP_3	Llenando el Tanque de Combustible .....	SP_7	Verifique la condición de la unidad ...	SP_9
Descripción de producto .....	5	Arranque del motor .....	SP_8	Operación.....	SP_10
Especificaciones.....	5	Apgado del motor.....	SP_9	Mantenimiento .....	SP_11
Ensamblar.....	6	Ajuste velocidad mínima del motor...	SP_9	Guía Diagnóstico.....	SP_16
Mezcla de Combustible.....	SP_7			Declaración de Garantía.....	SP_19

### ¡IMPORTANTE!

El propósito de los procedimientos operacionales descritos en este manual es ayudarle a obtener el más alto rendimiento de su máquina y proteger a usted y a otras personas de sufrir lesiones. Estos procedimientos son pautas operativas para una operación segura bajo la mayoría de condiciones y no tienen el propósito de substituir las normas y/o leyes vigentes en su área. Si tiene alguna pregunta relacionada con su Serie C4 o si no entiende alguna información contenida en este manual, consulte a su distribuidor Shindaiwa, quien le atenderá con gusto. También puede comunicarse con Shindaiwa Inc. a la dirección que aparece en la contra portada de este manual.

## Declaraciones De Seguridad

A través de este manual se encuentran "declaraciones de seguridad" especiales.

**¡PELIGRO!** Toda explicación precedida por el símbolo de atención triangular y la palabra "PELIGRO" indica una situación potencialmente peligrosa que, en caso de no evitarse, se causarán lesiones graves o incluso la muerte.

**¡ADVERTENCIA!** Toda información precedida por un símbolo triangular de advertencia y la palabra ¡ADVERTENCIA! contiene información o procedimientos que se deben cumplir para evitar lesiones.

**¡IMPORTANTE!** Toda información precedida por la palabra "IMPORTANTE" contiene información especial y significativa.

### ¡PRECAUCIÓN!

Toda información precedida por la palabra ¡PRECAUCION! contiene información que se debe cumplir para evitar daños mecánicos.

### NOTA:

Toda información precedida por la palabra "NOTA" contiene información útil que puede hacer su trabajo más fácil..

## Etiquetas información de operación



Lea y siga las recomendaciones de este manual del operario. De no hacerlo podría resultar en lesiones graves.



Mantenga a los transeúntes a una distancia mínima de 15 metros (50 pies) mientras la máquina este en operación.



Use protección para los ojos y protección para los oídos en todo momento que este operando esta máquina.



Mantengase alerta por objetos lanzados o rebotes.



Mantenga los pies lejos de la hoja. La hoja que gira puede causar la herida. La hoja puede continuar girar después que la unidad se apaga.





# Seguridad


## Trabaje con cuidado

Orilladora de Gramas Shindaiwa operan a velocidades altas y pueden causar daños o lesiones serias si son mal usadas o abusadas. Nunca permita que una persona sin entrenamiento o instrucción opere esta unidad!

## Mantengase Alerta

Usted debe estar en optimas condiciones física y mental para operar esta maquina en forma segura.

**¡ADVERTENCIA!**  Nunca opere ninguna maquinaria motorizada si está cansado o si está bajo la influencia de alcohol, drogas o medicamentos o cualquier otra substancia que pueda afectar su habilidad y juicio. 

**¡ADVERTENCIA!**  Nunca instale accesorios no autorizados. No use accesorios no aprobados por Shindaiwa en esta unidad.

Español

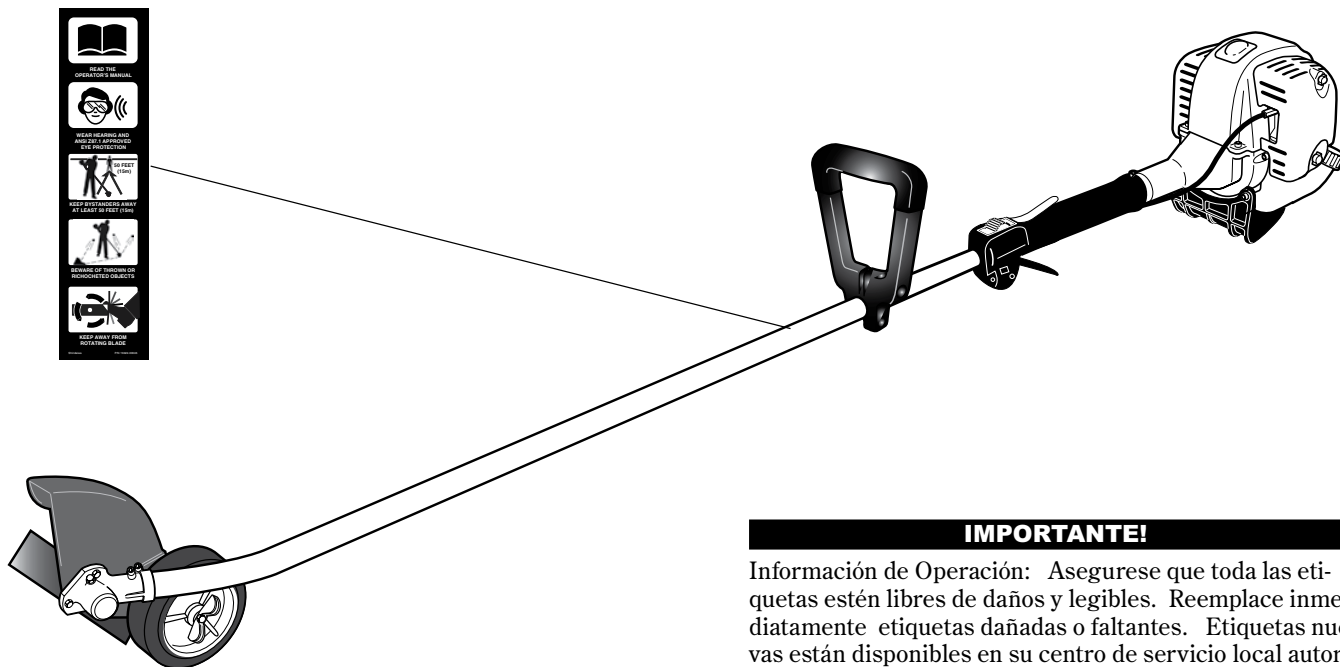
**¡ADVERTENCIA!**  Use Buen Juicio

**SIEMPRE** use protección para los ojos como escudo contra objetos lanzados.  
**NUNCA** opere el motor cuando transporte la unidad.  
**NUNCA** opere la unidad en el interior! Cerciorese que siempre haya buena ventilación. El humo o gases del escape del motor pueden causar serias lesiones o la muerte.  
**SIEMPRE** use el accesorio de corte apropiado.

**SIEMPRE** mantenga su area de trabajo libre de basura u objetos que pueden rebotar contra usted o contra transeúntes.  
**SIEMPRE** pare el motor inmediatamente si repentinamente empieza a vibrar. Inspeccione el accesorio de corte por partes quebradas, faltantes o instaladas incorrectamente.  
**SIEMPRE** mantenga la máquina lo más limpia posible. Mantengala libre de vegetación, barro, etc.

**SIEMPRE** sujete la máquina firmemente con ambas manos cuando corte o recorte, y mantenga el control en todo momento.  
**SIEMPRE** mantenga los mangos limpios.  
**SIEMPRE** desconecte el cable de bujía antes de hacer mantenimiento a la máquina.

## Etiquetas de seguridad



**¡IMPORTANTE!**

Información de Operación: Asegurese que toda las etiquetas estén libres de daños y legibles. Reemplace inmediatamente etiquetas dañadas o faltantes. Etiquetas nuevas están disponibles en su centro de servicio local autorizado de Shindaiwa.

## Seguridad (continuación) El operario debidamente equipado

Español

Use ropa de su talla para proteger su piernas y brazos. Los guantes siempre proveen protección adicional y son altamente recomendados. No use ropa holgada o joyas que puedan atascarse en la máquina o en la vegetación. Amárrese el cabello largo de tal forma que esté sobre el nivel de los hombros. **NUNCA** use pantalones cortos.

Mantenga una posición segura y nunca extienda el cuerpo- mantenga su balance en todo momento durante el uso de la máquina.

Use calzado apropiado (botas o zapatos antideslizantes); no use zapatos con los dedos descubiertos o sandalias. **Nunca opere la máquina descalzo!**

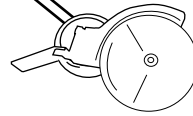


Siempre use protección para los ojos tal como lentes de seguridad para protegerse de objetos lanzados. Use un protector auditivo y un casco o sombrero.

**Siempre** use un arnés cuando opere una unidad equipada con disco/cuchilla.

**Siempre** opere con ambas manos sujetando el mango firmemente.

Siempre cerciórese de que el protector del accesorio de corte esté instalado correctamente y que esté en buena condición.



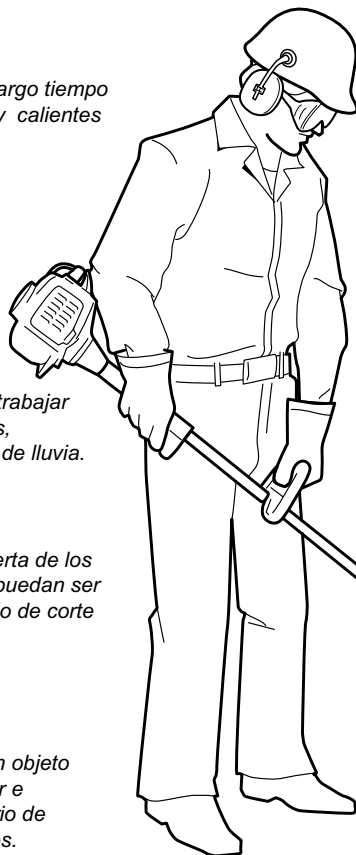
## Esté alerta del area de trabajo

Evite trabajar durante largo tiempo bajo temperaturas muy calientes o muy frías.

Tenga mucho cuidado al trabajar sobre terrenos resbalosos, especialmente en tiempo de lluvia.

Esté constantemente alerta de los objetos y despojos que puedan ser lanzados por el accesorio de corte o rebotados.

Si hace contacto con un objeto sólido, detenga el motor e inspeccione el accesorio de corte en busca de daños.



Cerciórese de que los transeúntes u observadores estén fuera de la "zona de peligro" de 50 pies usen protección de ojos.

Reduzca el riesgo de que algún transeúnte sea golpeado por un objeto volante. Asegurese de que nadie esté dentro de 50 pies (15 metros) de distancia de un accesorio en operación. Esto es aproximadamente 16 pasos.

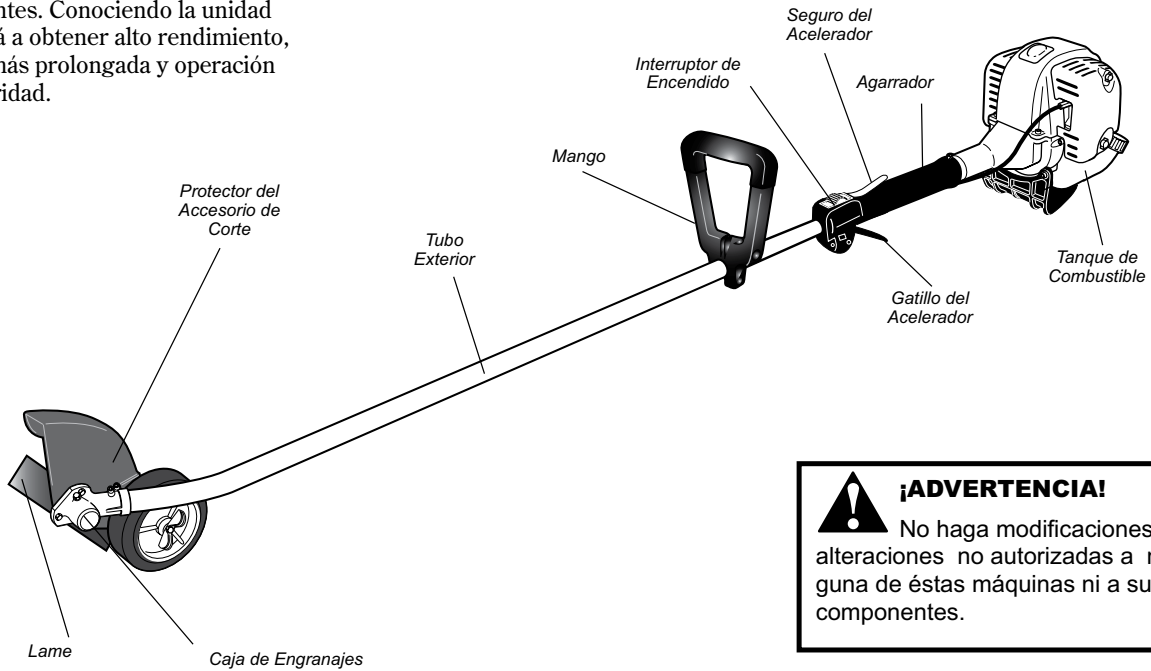
Cuando trabaje en un terreno rocoso o cerca de cables o cercas eléctricas, use extremo cuidado y evite tocarlos con el accesorio de corte.

Siempre cerciórese de que el protector del accesorio de corte esté correctamente instalado.

50'  
15M

## Descripción de producto

Use las ilustraciones como guía, familiarícese con esta unidad y sus varios componentes. Conociendo la unidad le ayudará a obtener alto rendimiento, vida útil más prolongada y operación con seguridad.



**¡ADVERTENCIA!**  
 No haga modificaciones o alteraciones no autorizadas a ninguna de éstas máquinas ni a sus componentes.

## Especifications

<b>Modelo de Motor</b>	SF2510E
<b>Peso sin Combustible (Accesorios incluidos)</b>	6.1 kg / 13.4 libras
<b>Tipo de Motor</b>	Motor de gasolina de 4 ciclos enfriado por aire de cilindro vertical
<b>Diámetro x Carrera</b>	34 x 27 mm / 1.3 x 1.1 in.
<b>Cilindrada</b>	24.5 cc/1.5 pulg. Cúbicas
<b>Potencia Máxima</b>	0.8 kW / 1.1 HP@ 7500 min <sup>-1</sup> (rpm)
<b>Régimen de giro al ralentí (recomendado)</b>	3,000 min <sup>-1</sup> (rpm)
<b>Combustible/Aceite</b>	50:1 con ISO-L-EGD o JASO FC aceite de mezcla de motor 2 tiempos
<b>Tipo de Carburador</b>	Walbro WYL, tipo diafragma
<b>Capacidad del Tanque de Combustible</b>	590 ml / 20,0 oz.
<b>Sistema de Encendido</b>	El un-pieza electrónica, el programa controlado
<b>Bujía</b>	NGK CMR5H
	Hueco del electrode 0.6 - 0.7 mm/ .024 -.028 "
	Torsión 100-150 kg cm / 9.8 - 14.7 N·m
<b>Filtro de Aire</b>	Pre-filtro: espuma ; filtro principal: elemento seco
<b>Metodo de Arranque</b>	Regular
<b>Metodo de Parada</b>	Interruptor
<b>Tipo de Transmisión</b>	Automática, embrague centrifugo con engranajes helicoidales
<b>Periodo de Cumplimiento con Regulaciones de Emisiones EPA*</b>	Categoría A

Las especificaciones están sujetas a cambios sin previo aviso.

\* El periodo de conformidad de emisiones de la EPA relativo a la etiqueta de conformidad de emisiones colocada en el motor indica el número de horas de funcionamiento en las que el motor ha demostrado cumplir los requisitos de emisiones federales. Categoría C = 50 horas (moderado), B = 125 horas (intermedio) y A = 300 horas (ampliado).

\*\* La NGK BPMR5A también cumple con los requisitos de la regulación de electro magnéticos (EMC).

## Ensamblar

### Antes de ensamblar

Antes de ensamblar, cerciórese de que tenga todos los componentes necesarios para armar una máquina completa:

- Ensamblaje del motor con el tubo y el mango.
- Ensamblaje de la caja de engranaje.
- Este kit contiene manual del propietario/operador y juego de herramientas para

mantenimiento rutinario. Los kits de herramientas varían por modelo y pueden incluir una llave hexagonal, llave bujía y destornillador, y una llave inglesa.

Inspeccione la unidad y componentes en busca de daños.

### IMPORTANT!

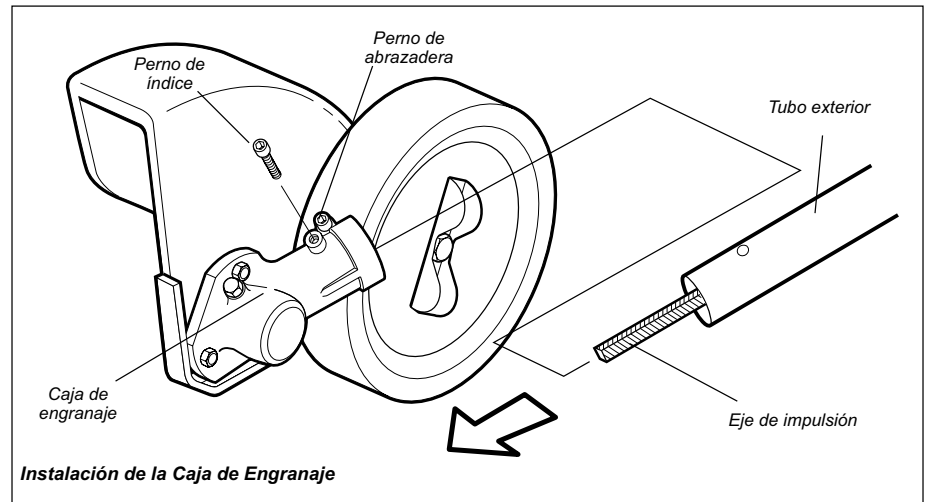
The terms "left", "left-hand", and "LH"; "right", "right-hand", and "RH"; "front" and "rear" refer to directions as viewed by the operator during normal operation.

### Instalación de la Caja de Engranaje

1. Afloje el perno de abrazadera de la caja de engranaje.
2. Quite el perno del índice de la caja de engranaje.
3. Deslice el caja de engranajes como se muestra en asegurándose que el eje de impulsión este conectado con la caja de engranaje.
4. Vuelva a instalar el perno del índice y apriete hasta asegurarlo.

#### NOTA:

Puede que sea necesario sacar el cable flexible del tubo de eje, conéctelo con la caja de engranaje y después deslice el ensamblaje en el tubo del eje



5. Apriete el perno de la abrazadera a una torsión de 52 – 69 libras por pulgada.

### Ajuste la holgura del acelerador

La holgura del gatillo debe ser aproximadamente de 4.6 mm (3/16-1/4 pulgadas). Cerciórese que el gatillo de aceleración opere suavemente sin trabarse. Si es necesario ajustar la holgura, siga los procedimientos e ilustraciones a continuación.

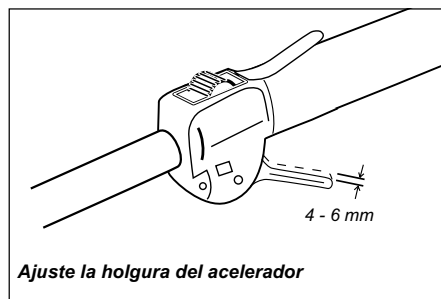
1. Afloje el botón de la tapa del filtro de aire y retire la tapa del filtro de aire.
2. Afloje la tuerca de seguridad en el cable ajustador.
3. Gire el cable ajustador hacia dentro o fuera como sea requerido para obtener la holgura apropiada 4.6 mm (3/16-1/4 pulgadas).
4. Apriete las tuercas de seguridad.
5. Reinstale la tapa del filtro de aire.



*Afloje el botón de la tapa del filtro de aire*



*Gire el cable ajustador hacia dentro o fuera como sea requerido*



## Mezcla de Combustible

### PRECAUCIÓN!

- Nunca use ningún combustible que contenga más de 10% de alcohol por volúmen! Algunas gasolinas contienen alcohol como un oxigenante. Combustibles oxigenados pueden aumentar la temperatura del motor durante su funcionamiento. Bajo ciertas condiciones, combustible con alcohol puede reducir la calidad lubricante de algunos aceites de mezcla.
- Aceites genéricos y algunos aceites para motores fuera de borda no deben ser usados en su motor Shindaiwa!

### PRECAUCIÓN!

Este motor está diseñado solamente para funcionar con una mezcla de 50:1 de gasolina sin plomo y aceite de mezclar para motores de 2 tiempos. ISO-L-EGD o JASO FD. El uso de aceites de mezclar no autorizados puede conducir a excesos de depósitos de carbón.

- Use solamente gasolina fresca, limpia y sin plomo, con índice de octanaje de 87 o superior.
- Mezcle todo el combustible con aceite de mezclar para motores de 2 tiempos enfriados por aire que cumpla o exceda aceites clasificados ISO-L-EDG y/o JASO FD a proporción de 50:1 gasolina/aceite.

### PRECAUCIÓN!

Mezcle y reposte el combustible al aire libre y donde no haya chispas ni llamas.

## Ejemplos de cantidades de mezcla a proporción de 50:1

U.S.		Métricas	
Gasolina	Mezclar para motores de 2 tiempos	Gasolina	Mezclar para motores de 2 tiempos
EE.UU. Gallons	EE.UU. Fl.oz.	Liter	cc.
1	2.6	4	80
2	5.2	8	160
5	13	20	400
10	25.6	30	600
20	51.2	50	1000
50	128	100	2000

### ¡IMPORTANTE!

Mezcle solamente el combustible necesario para uso inmediato! De ser necesario almacenar el combustible por más de 30 días, y si no se está usando aceite **ONE** con estabilizador de combustible, entonces el combustible debe ser tratado primero con un estabilizador como por ejemplo StaBil™.

El aceite **ONE** es un aceite registrado de JASO FD clasificado y también cumple o excede los requisitos de rendimiento de ISO-L-EGD. Shindaiwa One es recomendado para el uso en todos los motores Shindaiwa de baja emisión. Shindaiwa One también incluye el estabilizador de combustible.

## Llenando el Tanque de Combustible



### ADVERTENCIA!

Disminuya el riesgo de incendios!

- **NUNCA** fume o encienda fuegos cerca del motor o del combustible!
- **SIEMPRE** mantenga la gasolina en un contenedor aprobado.
- **SIEMPRE** deje pare y enfriar el motor antes de volver a llenar el tanque.
- **SIEMPRE** examine la unidad en busca de posibles fugas de combustible antes de cada uso. Durante cada recarga, asegúrese de que no haya fugas de combustible alrededor de la tapa de combustible y/o del tanque. Si detecta alguna fuga, detenga la unidad inmediatamente. Toda fuga de combustible debe haberse reparado antes de utilizar la unidad.
- **SIEMPRE** limpie todo derrame de combustible y aleje el motor por lo menos 10 pies (3 metros) del depósito de combustible antes de volver a prender el motor!
- **SIEMPRE** antes de volver a encender el motor, aléjelo al menos 3 metros del punto de repostaje, del lugar de almacenamiento y de cualquier material fácilmente inflamable.
- **NUNCA** coloque material inflamable cerca del silenciador del motor!
- **NUNCA** opere el motor sin antes comprobar que el silenciador y guardachispas se están instalados y funcionan correctamente.
- **EL COMBUSTIBLE ES SUMAMENTE INFLAMABLE.**

1. Posicione la máquina sobre una superficie plana y nivelada.
2. Retire cualquier suciedad o despojos alrededor de la tapa de combustible.

### PRECAUCIÓN!

Para repostar, retire lentamente el tapón de combustible sólo después de haber apagado el motor.

3. Retire la tapa de combustible y llene el tanque con combustible fresco y limpio.
4. Reinstale la tapa de combustible y apríete firmemente.
5. Limpie todo el combustible derramado antes de volver a arrancar el motor.

# Arranque del motor

## ¡IMPORTANTE!

El encendido del motor está controlado por un interruptor de dos posiciones montado en el mango del acelerador indicado "I" (encendido o arranque) y "O" (apagado o pare).

Español



### ¡ADVERTENCIA!

Nunca arranque el motor de la posición de funcionamiento.

1. Deslice el interruptor hacia la posición 'I' (motor encendido).
2. Posicione la palanca del acelerador en marcha mínima haciendo lo siguiente:
  - a. Deprima y sostenga la palanca del acelerador.
  - b. Apriete y sostenga la palanca del acelerador (hacia el manubrio)
  - c. Deprima y sostenga el botón de la palanca del acelerador.
3. Presione la bombilla de cebado hasta que vea pasar combustible por el tubo de retorno transparente.

### ¡IMPORTANTE!

La bombilla de cebado solamente empuja combustible a través del carburador. Presionando repetidamente la bombilla de cebado no ahogará el motor con combustible.

4. Posicione la palanca del estrangulador en la posición CLOSED (cerrado) si el motor está frío.
5. Mientras sostiene el tubo exterior firmemente con una mano, jale despacio la cuerda del arrancador recular hasta que sienta resistencia, luego jale rápidamente para arrancar el motor.

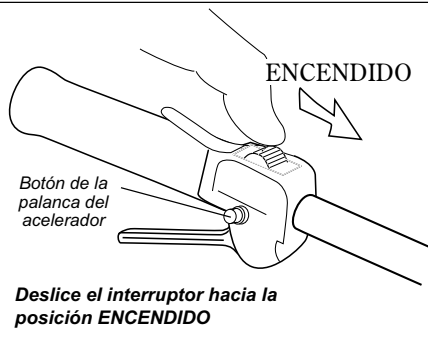
### ¡PRECAUCIÓN!

No jale el arrancador recular hasta el final de la cuerda. De lo contrario, puede dañar el arrancador.



### ¡ADVERTENCIA!

El accesorio de corte puede accionarse cuando encienda el motor!



Deslice el interruptor hacia la posición **ENCENDIDO**

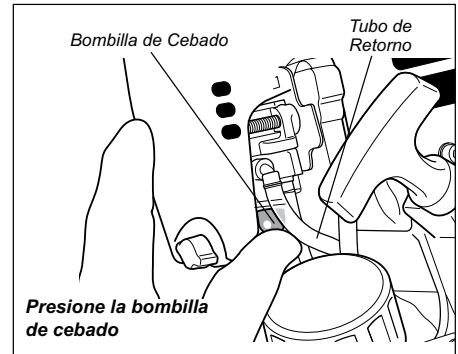


Posicione la palanca del estrangulador en la posición **CLOSED (cerrado)**

6. Cuando arranque el motor, mueva despacio la palanca del estrangulador a la posición "OPEN" (abierto). (Si el motor para después del arranque inicial, cierre la palanca del estrangulador y vuelva arrancar)
7. Operando el acelerador automáticamente desenganchará la marcha mínima.

### ¡IMPORTANTE!

Si el motor falla en arrancar después de varios intentos con la palanca del estrangulador en posición cerrada, puede que el motor esté ahogado con combustible. Consulte "Arranque de un motor ahogado" de este manual.



Presione la bombilla de cebado



...y jale la cuerda del arrancador recular

Mientras sostiene el tubo exterior firmemente...

Cerciórese de que el accesorio de corte esté libre de obstrucciones!



Cuando arranque el motor, mueva despacio la palanca del estrangulador a la posición **"OPEN" (abierto)**

## Al arrancar el motor...

- Tras arrancar el motor, deje que se caliente al ralenti durante 2 ó 3 minutos antes de utilizar la unidad.
- Una vez caliente el motor, tome la unidad y sujétela a la correa para los hombros, en caso de que disponga de ella.
- Si se acelera, el accesorio de corte oscilará más rápido; si se decelera, el accesorio reduce la oscilación. Si el accesorio de corte sigue oscilando cuando el motor vuelve al ralenti, debe ajustarse la velocidad de ralenti del carburador (véase "Ajuste del carburador" en esta página).



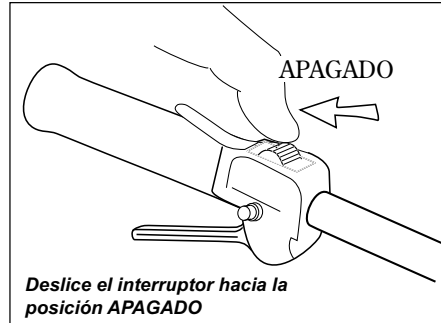
## Arranque del motor (continuación)

### Arranque de un motor ahogado

- Desconecte el cable de la bujía y utilice la llave de bujías para extraer la bujía (para extraer, gire en sentido contrario a las agujas del reloj).
- Deslice el interruptor de encendido a la posición "O" (APAGADO).
  - Si la bujía está obstruida o empaçada de combustible, limpie la bujía según sea necesario.
- Abra el estrangulador y presione a fondo la palanca del acelerador con su mano izquierda, a continuación tire rápidamente del tirador de arranque con su mano derecha para limpiar el exceso de combustible de la cámara de combustión.
- Vuelva a colocar la bujía y apriétela firmemente con la llave de bujías. Si dispone de una llave dinamométrica, apriete la bujía al valor correcto en la sección "Especificaciones".
- Repita los procedimientos de arranque para un motor en caliente.
- Si el motor sigue sin arrancar, consulte la sección de resolución de problemas que se encuentra

### Apagado del motor

Ponga el motor en marcha mínima por dos o tres minutos antes de apagarlo, luego deslice el interruptor de ignición a la posición "O" (motor APAGADO).



### Ajuste velocidad mínima del motor

El motor debe retornar a marcha mínima cuando la palanca del acelerador es liberada. La marcha mínima es ajustable y debe ser suficientemente mínima para permitir que el embrague del motor libere el accesorio de corte.

#### Ajuste de marcha mínima

- Coloque la unidad en el suelo, luego encienda el motor y déjelo funcionar en marcha mínima durante 2 ó 3 minutos hasta que caliente.
- Si el accesorio de corte gira mientras el motor está en marcha mínima, reduzca la marcha mínima, girando el tornillo de ajuste de marcha mínima en el sentido contrario a las agujas del reloj.
- Si tiene un tacómetro disponible, consulte la sección "Especificaciones" para el régimen de giro al ralenti.



#### ¡ADVERTENCIA!

El accesorio de corte NUNCA debe girar en marcha mínima! Si la marcha mínima no puede ser ajustada por el procedimiento descrito aquí, entonces devuelva la unidad a su distribuidor Shindaiwa para inspección.

#### NOTA

Los ajustes de mezcla de carburador son prefijados en la fábrica y no pueden ser cambiados en el campo.

### Verifique la condición de la unidad

NUNCA opere la unidad sin el protector del accesorio de corte o sin equipo de protección.

Use solamente repuestos y accesorios autorizados por Shindaiwa en su podadora Shindaiwa. No haga modificaciones a la unidad sin la aprobación escrita de Shindaiwa Inc.

SIEMPRE cerciéndose de que el accesorio de corte esté propiamente instalado y firmemente apretado antes de usar.

NUNCA use un accesorio de corte rajado o doblado, reemplácelo con uno util.

SIEMPRE cerciéndose de que el cabezal encaje propiamente dentro del soporte. Si un cabezal propiamente instalado vibra, reemplácelo por uno nuevo y pruebe.

SIEMPRE pare el motor inmediatamente y revise en busca de daños si golpea un objeto extraño o si la unidad se enreda. No opere con equipo dañado o quebrado.

NUNCA permita que el motor funcione a altas revoluciones sin carga. De lo contrario, podría dañar el motor.

NUNCA use la máquina con sujetadores o soportes de accesorios desgastados o dañados.



#### ¡ADVERTENCIA!

El protector del accesorio de corte o equipo de protección no garantiza protección contra rebotes. USTED SIEMPRE DEBE PROTEGERSE DE DESPOJOS VOLANTES!



## Operación

### Utilizando el orillador de mano

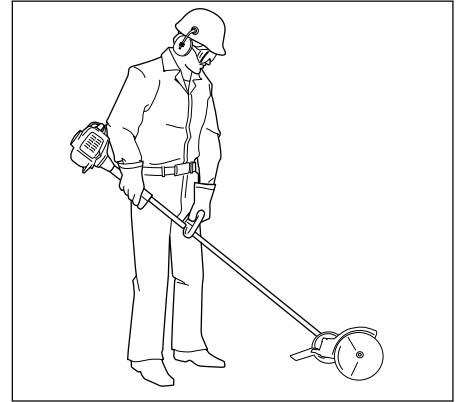


#### ¡ADVERTENCIA!

- ¡Use gafas, pantalones largos, y las botas al operar esta máquina!
- Cuando golpee un objeto sólido con un disco, siempre pare el motor y cuidadosamente inspeccione el disco en busca de daños. **NUNCA OPERE LA DESMALEZADORA CON UN DISCO DAÑADO !**

- Antes bordear, asegúrese que el área este suave porque la cuchilla podría atascarse. Si necesario, riegue el área antes de bordear.
- Quite escombros y otros obstáculos que podrían ser tirados por la cuchilla al girar.

- Planee su trabajo de tal manera la hoja de orilladora es siempre en su lado derecho.
- Empiece cada pasada posicionando la unidad sobre el trabajo y con el motor a media marcha. Baje lentamente la hoja al suelo y al mismo tiempo acelere el motor a toda marcha.
- No mueva la orilladora en el trabajo tan rápido que porque el motor o las hojas se podrían atascar.
- No tire la unidad hacia atrás sobre el suelo con el motor funcionando. Eso podría enterrar la cuchilla.
- El uso regular y frecuente de la orilladora hará un césped más ordenado, y una orilla con frecuencia recortada será más fácil de mantener.



#### ¡PRECAUCIÓN!

Operación a bajas revoluciones puede conducir a la falla prematura del embrague.

### Ajuste de la cuchilla

La profundidad del corte de la orilladora es controlada por una combinación de la altura de operario desgaste de la cuchilla y del posicionar de la rueda guía de la orilladora.

#### Para ajustar la altura de cuchilla:

1. Afloje la perilla de ajuste de la rueda de guía.
2. Suba o baje la rueda de la guía a la altura deseada.
3. Apriete la perilla de la rueda guía firmemente.



#### ¡ADVERTENCIA!

Utilice sólo cuchillas para orillador de marca Swisher.

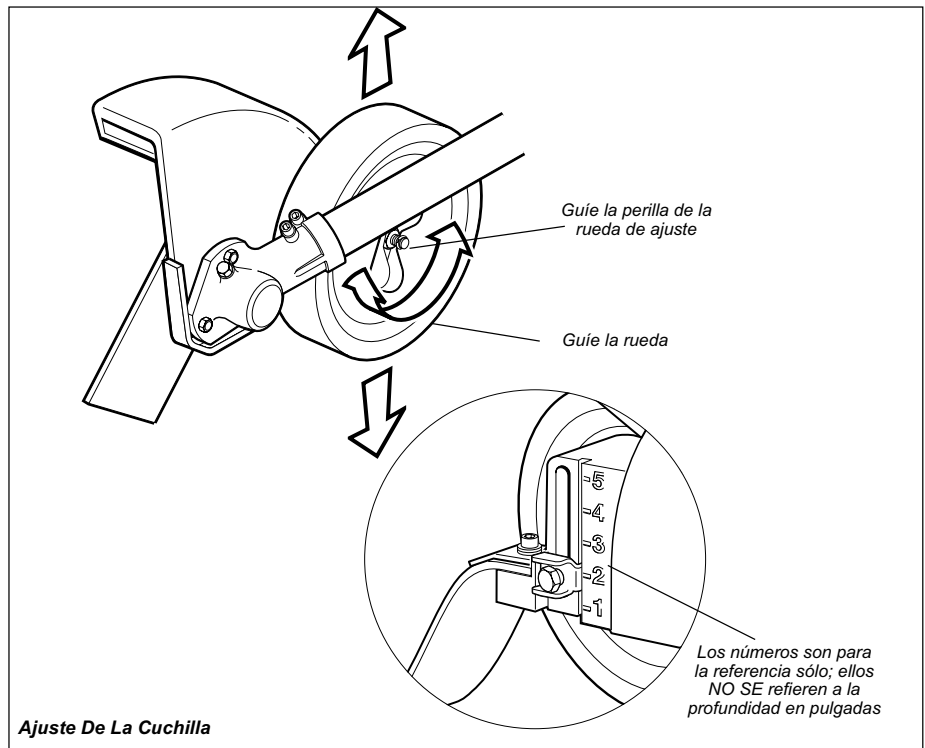


#### ¡ADVERTENCIA!

Nunca ajuste la rueda de la guía mientras el motor esta en marcha.

#### NOTE:

El ajuste de la rueda de la guía se requiere también compensar el desgaste del a cuchilla.



# Mantenimiento

## Mantenimiento General

### ¡IMPORTANTE!

EL MANTENIMIENTO, REEMPLAZO O REPARACION DE LOS SISTEMAS Y DISPOSITIVOS DE CONTROL DE EMISION PUEDEN SER EFECTUADOS POR CUALQUIER ESTABLECIMIENTO O INDIVIDUO; SIN EMBARGO, LAS REPARACIONES DE GARANTIA DEBEN SER EFECTUADAS POR SU CENTRO DE SERVICIO O DISTRIBUIDOR AUTORIZADO POR SHINDAIWA INC. EL USO DE PARTES QUE NO SON EQUIVALENTES EN RENDIMIENTO Y DURABILIDAD A LAS PARTES AUTORIZADAS PUEDEN AFECTAR LA EFECTIVIDAD DE SU SISTEMA DE CONTROL DE EMISION Y PUEDE INFLUENCIAR EL RESULTADO DE SU RECLAMO DE GARANTIA.

### NOTA:

El usar repuestos no estándar podría invalidar su garantía Shindaiwa.

### Silenciador

Esta máquina nunca debe ser operada con un guardachispas o silenciador defectuoso o faltante. Cerciórese de que el silenciador esté bien asegurado y en buena condición. Un silenciador usado o dañado es un riesgo de incendio y puede causar la pérdida de audición.

### Bujía

Mantenga la bujía y las conexiones de cable apretadas y limpias.

## Mantenimiento Diario

Antes de cada día de trabajo, efectúe lo siguiente:

- Retire la suciedad y los residuos del exterior del motor, las aletas del cilindro y las entradas de aire del sistema de enfriamiento.
- Limpie toda la suciedad y los residuos del accesorio del corte.
- Inspeccione la sierra para detectar pérdidas de combustible o aceite.
- Revise que no falten tornillos y que no estén flojos. Cerciórese de que el accesorio de corte esté firmemente asegurado.
- Cerciórese de que las tuercas, pernos y tornillos (a excepción de los tornillos de ajuste del carburador) estén apretados.
- Cuidadosamente, retire cualquier acumulación de suciedad o despojo del silenciador y del tanque de combustible.

### ¡ADVERTENCIA!

Antes de efectuar mantenimiento, reparación o limpieza de la máquina, cerciórese de que el motor y el accesorio de corte estén completamente detenidos. Desconecte el cable de bujía antes de efectuar servicio de mantenimiento.

### Sujetadores

Cerciórese de que las tuercas, pernos y tornillos (a excepción de los tornillos de ajuste del carburador) estén apretados.

### Filtro de aire

El motor C4 que propulsa su modelo Shindaiwa es un motor híbrido de 4 tiempos. Como motor híbrido, se lubrica mediante el aceite mezclado en la gasolina y con el aire del carburador que circula a través y alrededor de las piezas internas del motor, de forma similar a la lubricación de un motor de 2 tiempos. Sin el filtro de aire de dos etapas y altas prestaciones instalado en todos los motores C4, también podrían circular por el motor el polvo y la suciedad aspirados, acortando la vida útil del motor y aumentando el desgaste de las válvulas, lo que exigiría un reajuste más frecuente de éstas. Para que el motor C4 conserve su potencia y fiabilidad, Shindaiwa recomienda comprobar y realizar el mantenimiento del filtro de aire según lo indicado en la sección de Mantenimiento cada 10 horas de servicio.

### ¡ADVERTENCIA!

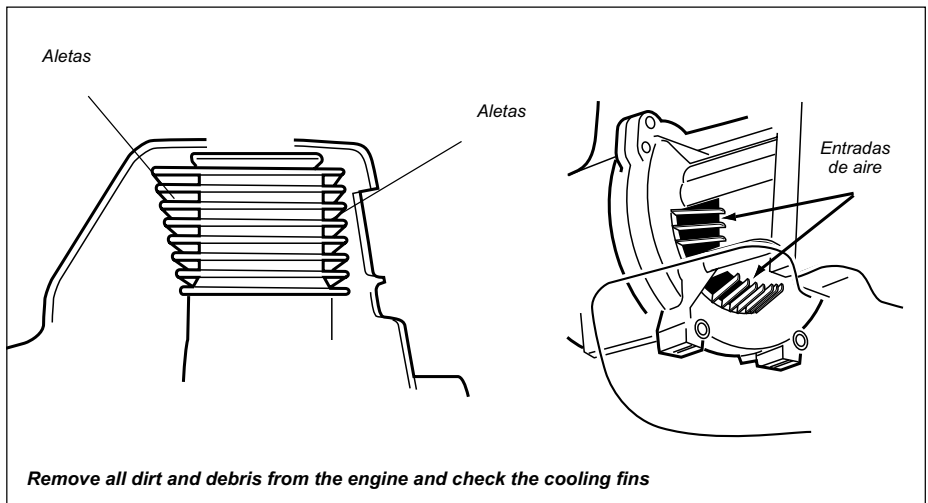
Los repuestos no estándar pueden que no operen propiamente con su máquina y pueden causar daño y conducir a una lesión personal.

### Cuchillas

Mantenga los discos afilados y revise la condición del disco frecuentemente. Si el rendimiento de un disco cambia repentinamente, pare el motor y revise el disco en busca de rajaduras u otro daño. Reemplace el disco dañado INMEDIATAMENTE!

### ¡ADVERTENCIA!

- Nunca repare un disco dañado soldándolo, enderezándolo o modificando su forma. Una vez alterado, podría quebrarse en plena operación y ocasionar lesiones personales serias.
- Los discos de corte no son intercambiables entre las bordeadoras o desmalezadoras. El uso de cualquiera unidad con discos o accesorios no aprobados para la respectiva unidad pueden ser peligrosos y ocasionar lesiones graves.



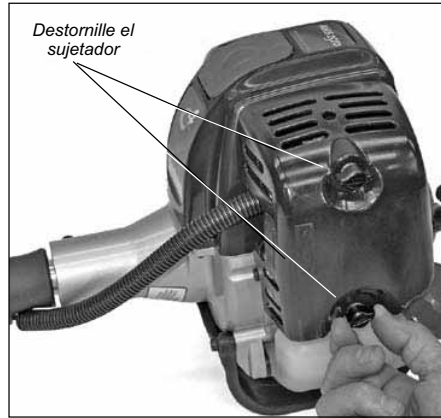
bustible. La acumulación de suciedad en dichas áreas puede ocasionar el sobrecalentamiento del motor, inducir el gasto prematuro o crear un riesgo de incendio.

## Mantenimiento (continuación)

### Mantenimiento cada 10 horas

(Más frecuentemente en condiciones rigurosas)

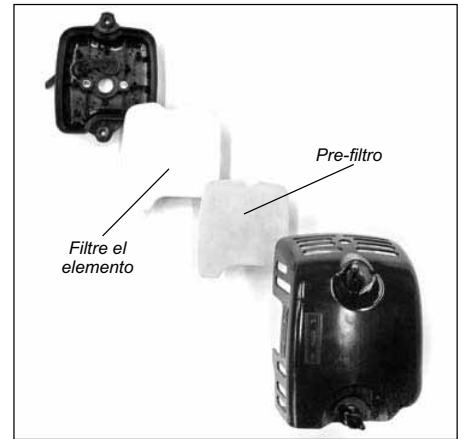
1. Extraiga la cubierta del limpiador de aire aflojando los dos tornillos de mano.
2. Inspeccione el elemento del filtro de aire. Si el elemento está dañado o deformado rémplacelo por uno nuevo.
3. Limpie el prefiltro con agua y jabón. Déjelo secar antes de volver a instalarlo.
4. Revise el elemento del limpiador de aire. Si está deformado o dañado, rémplacelo por uno nuevo.
5. Golpee al filtro suavemente sobre una superficie dura para sacar la suciedad del elemento o use aire comprimido desde el interior para soplar la suciedad hacia afuera del elemento del filtro de aire.



6. Instale el elemento del filtro, prefiltro y cubierta en el orden inverso en que los sacó.

#### ¡IMPORTANTE!

Dirija la corriente de aire sólo hacia la cara interior del filtro.



#### ¡PRECAUCIÓN!

Nunca opere el soplador si el limpiador de aire está dañado o falta.

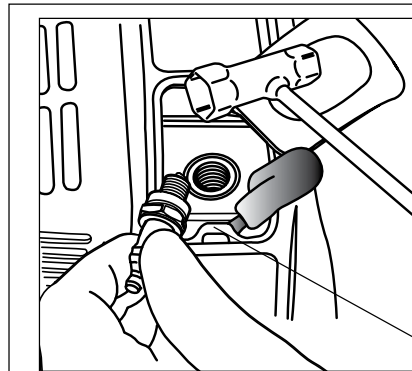
### Mantenimiento cada 10/15 horas

#### Retire y limpie la bujía.

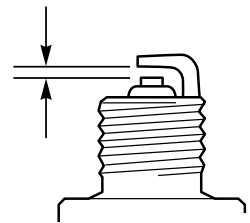
Limpie y vuelva a calibrar la bujía. Consulte la sección "Especificaciones" para la correcta separación del electrodo de la bujía.

#### ¡PRECAUCIÓN!

Antes de retirar la bujía, limpie alrededor de la misma para evitar que entre polvo o suciedad a las partes internas del motor.



(0.6–0.7 mm)  
0.024–0.028 inch



Limpie la bujía y revise la distancia del electrodo.

### Mantenimiento cada 50 horas

Cada 50 horas de operación (más frecuentemente bajo condiciones sucias o polvorientas):

- Retire y limpie la tapa del cilindro y limpie la maleza y la suciedad en las aletas del cilindro

#### Retire y reemplace el elemento del filtro.

- Antes de reinstalar el filtro, inspeccione la condición de todo los componentes del sistema de combustible (manguera de alimentación, manguera del ventilador, ventilador, tapa y tanque).

Si descubre daños, quebraduras o deterioración, retire la unidad de operación hasta que pueda ser inspeccionada o reparada por un técnico de servicio entrenado por Shindaiwa.



# Mantenimiento (continuación)

## Mantenimiento cada 50 horas (continuación)

### Lubrique la caja de engranajes

■ Retire el accesorio de corte, el soporte del accesorio de corte y el collar de la caja de engranajes. Retire la tuerca del alimentador del costado de la caja de engranajes e introduzca grasa nueva a la caja hasta que la grasa usada salga. Use solamente grasa a base de litio.

### Lubrique el Eje Flexible

La falta de la lubricación causará el desgaste rápido al eje flexible y también del forro del tubo del eje, teniendo como resultado un aumento en la vibración y disminución de la vida útil. Quite y lubrique el eje flexible de la siguiente manera:

1. Afloje el tornillo de abrazadera de la caja de engranajes.
2. Quite el tornillo del índice de caja de engranajes.
3. Deslice la caja de engranajes y el protector del tubo del eje.
4. Tire el eje flexible del tubo del eje, y limpie el eje detalladamente con solvente.
5. Inspeccione el eje cuidadosamente, y reemplace si esta gastado o dañado. Si el eje flexible esta gastado o necesita ser reemplazado el forro debe reemplazarse también.
6. Revista la longitud entera del eje con lubricante de primera para la caja de engranaje y vuelva a instalar el eje en el tubo.

### NOTA

Para extender la vida del eje y el cable flexible se debe de revertir las puntas a la hora de volver a instalar.

7. Inserte el eje flexible al final del piñón hembra.
8. Instale la caja de engranajes en orden reverso a la extracción de la misma.

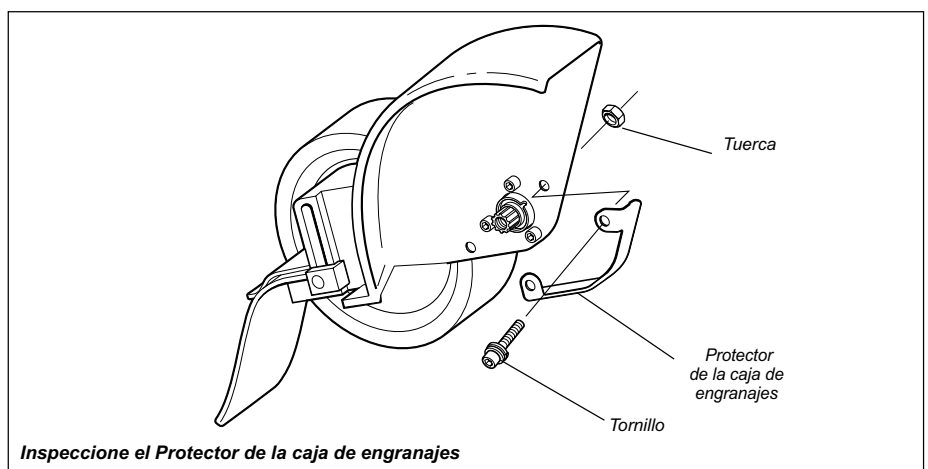
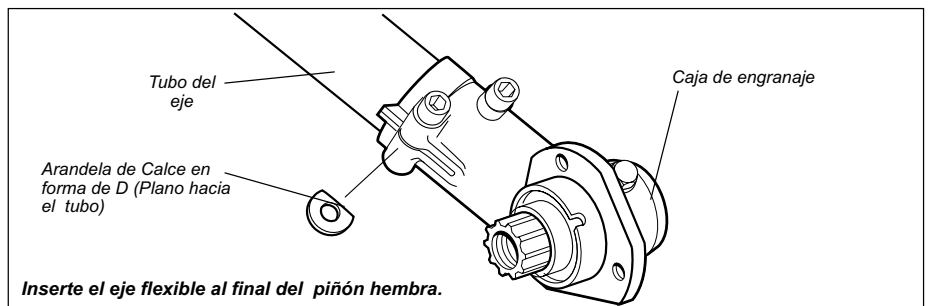
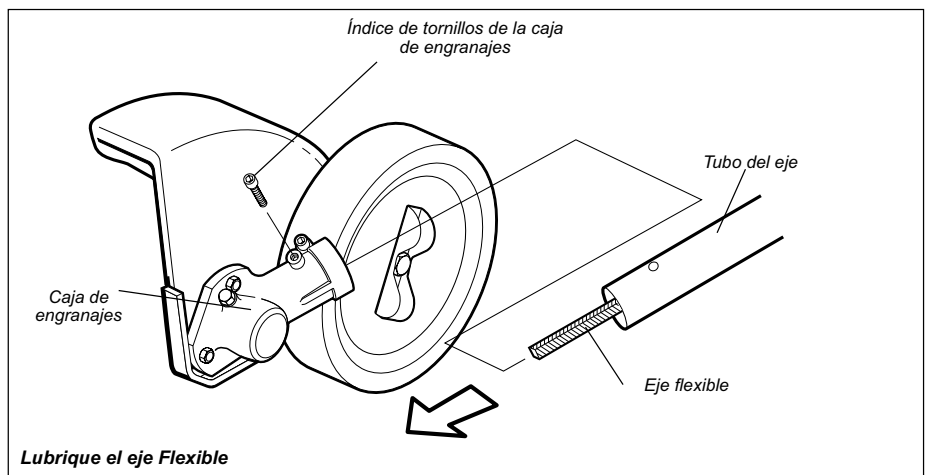
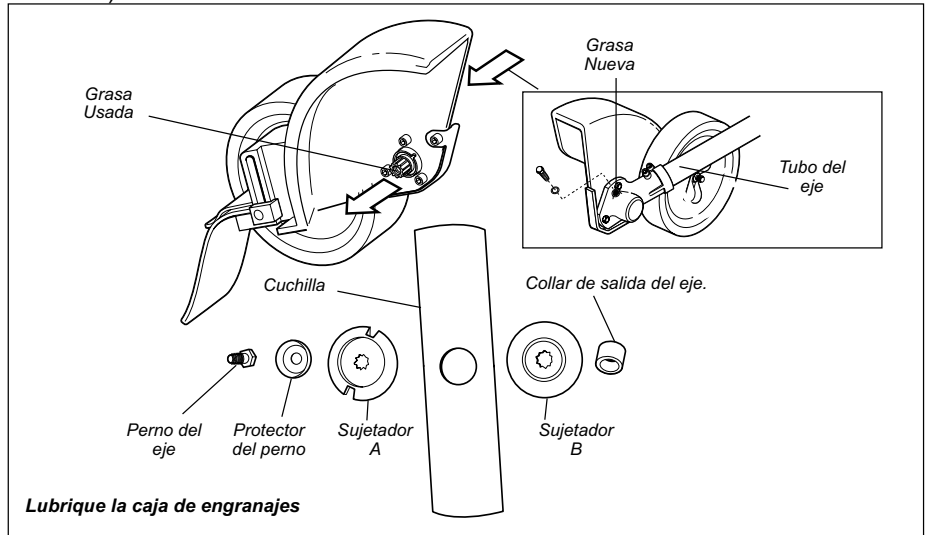
### PRECAUCIÓN!

La arandela de calce de en forma de D se debe posicionar con su orilla plana hacia el tubo del eje.

### Inspeccione el Protector de la Caja de Engranajes

El protector de metal de la caja de engranajes es instalado para proteger el reborde de la caja de engranajes del daño al trabajar cerca de aceras u otras superficies abrasivas y se debe inspeccionar rutinariamente en caso que haya daño o el uso excesivo.

Al reemplazar el protector inspecciónelo para estar seguro que los dos soportes del los protectores estén apretados firmemente y cada tornillo este asegurado en el lugar con una tuerca como se muestra.



## Mantenimiento (continuación)

### Mantenimiento Cada 139/150 Horas

Mantenimiento después de las primeras 139-horas. Después del primer mantenimiento, mantenga cada 150-horas.

■ La cámara de combustión debe de ser descarbonizado y la separación de la válvula ajustada. Es recomendable que esto sea hecho por uno técnico entrenado por Shindaiwa.

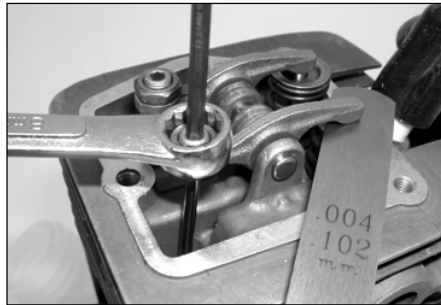
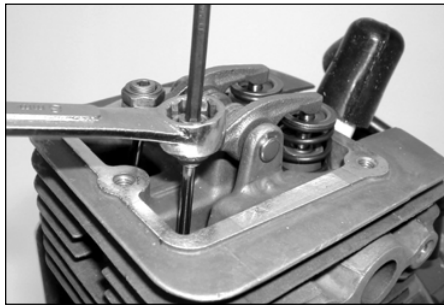
■ Reemplace la bujía anualmente: Consulte la sección "Especificaciones" para la correcta separación del electrodo de la bujía.

#### Ajuste de válvulas

1. Retire la tapa del cilindro, la tapa de balancines y la bujía. Gire el cigüeñal y observe el pistón a través del orificio de la bujía. El ajuste de las válvulas debe efectuarse cuando el pistón se encuentra en el punto muerto superior (PMS) de la fase de compresión.

#### ¡PRECAUCIÓN!

- Un ajuste incorrecto de las válvulas puede dificultar el arranque del motor, e incluso dañarlo.
- Si no está familiarizado con este motor o prefiere no ejecutar este procedimiento, consulte a un servicio autorizado de Shindaiwa.



2. Afloje la contratuerca del ajustador para que el tornillo de ajuste Allen hembra de 2,5 mm pueda girar libremente.
3. Introduzca una galga de 0,10 mm entre el extremo del vástago de la válvula y el balancín.
4. Gire el tornillo de ajuste (hacia la derecha = apretar, hacia la izquierda = aflojar) hasta que la galga quede casi aprisionada. Retroceda lo justo para permitir que la galga se deslice con cierta resistencia.
5. Mientras mantiene inmovilizado el tornillo de ajuste con la llave Allen, apriete la contratuerca con una llave fija.



6. Haga girar el motor varias veces y regrese al punto muerto superior de compresión. Verifique nuevamente el juego con la galga apropiada para cerciorarse de que no ha cambiado como resultado de apretar la contratuerca. Reajuste si fuese necesario.
7. Vuelva a colocar la junta de la tapa de balancines para garantizar un sellado correcto e instale la tapa.

#### IMPORTANTE

Si no dispone de una junta nueva, puede volver a utilizar la antigua siempre que no esté dañada. Nunca utilice juntas agrietadas o dañadas.

### Almacenamiento de Largo Plazo

Cada vez que la máquina no va a ser usada por 30 días o más, siga los siguientes procedimientos para preparar su almacenamiento:

- Limpie las partes externas y aplique una capa ligera de aceite a todas las superficies metálicas.

#### IMPORTANTE!

Todo combustible almacenado debe estar estabilizado con un estabilizador de combustible tal como STA-BIL™.

#### ¡PRECAUCIÓN!

Gasolina almacenada en el carburador por períodos largos puede causar un arranque duro y puede conducir a un aumento en costo de servicio y mantenimiento.

■ Drene todo combustible en el tanque.

■ Retire el resto del combustible en las tuberías de combustible y carburador.

1. Empuje la bombilla de cebado hasta que el combustible deje de pasar.
2. Arranque y mantenga prendido el motor hasta que pare de funcionar.
3. Repita los pasos 1 y 2 hasta que el motor ya no arranque.

■ Retire la bujía y vierta aproximadamente 1/4 de onza de aceite de mezcla para motores de 2 tiempos en el cilindro a través del agujero de la bujía. Lentamente jale el arrancador 2 ó 3 veces para que el aceite se aplique uniformemente en el interior del motor. Reinstale la bujía.

■ Antes de almacenar la máquina, repare o cambie cualquier pieza dañada o gastada.

■ Retire el elemento del filtro de aire y límpielo minuciosamente con agua y jabón. Deje que seque y vuelva a ensamblar el elemento.

■ Almacene la máquina en un sitio limpio y libre de polvo.



## Mantenimiento (continuación)

### Mantenimiento de la silenciador

Si el motor se pone peroso o tiene baja potencia, revise y limpie la maya del guardachispas.



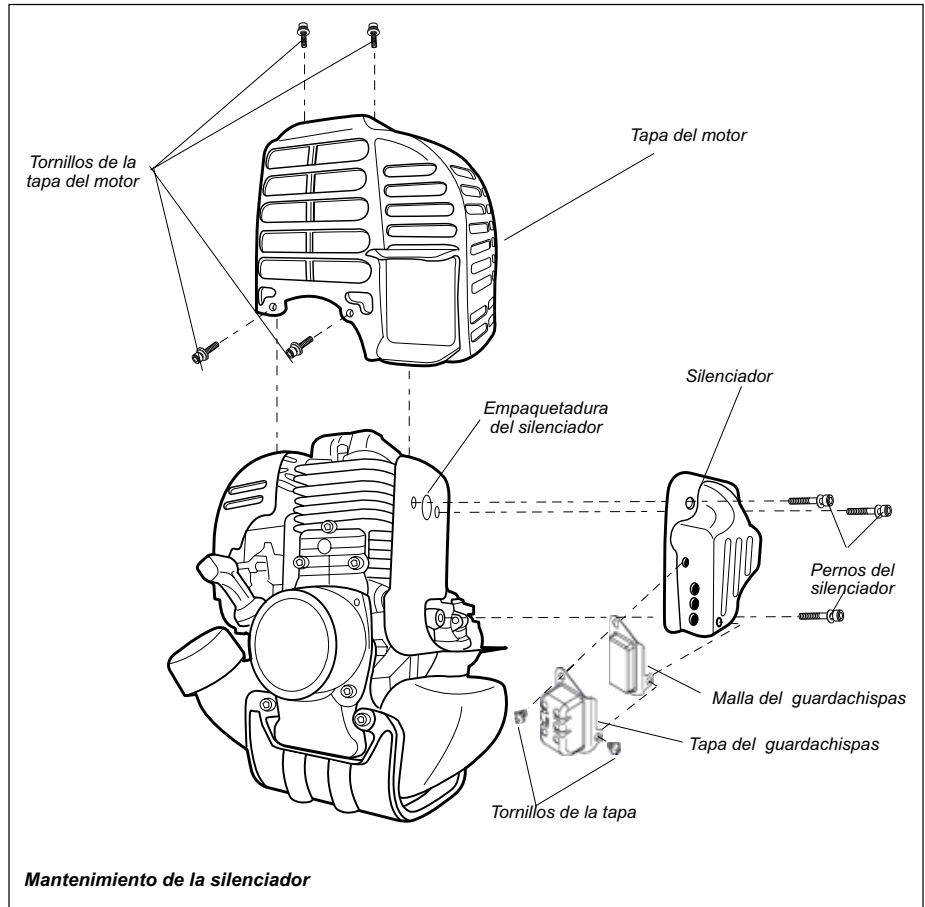
#### ¡ADVERTENCIA!

Nunca opere la máquina con un silenciador o guardachispas dañado o faltante! De lo contrario, puede ser un riesgo de incendio y podría también causar daños a sus oídos.

1. Con una llave hexagonal de 3 mm retire los 4 tornillos de la tapa del motor y la tapa del motor..
2. Con una llave hexagonal de 3 mm retire los pernos del silenciador y el silenciador.
3. Con un destornillador de cuchila plana retire los 2 tornillos sosteniendo la maya guardachispas y la tapa del silenciador.
4. Retire la malla y limpie con un cepillo de cerdas gruesas.
5. Inspeccione el escape del cilindro en busca de acumulación de carbón.
6. Vuelva a ensamblar el guardachispas, el silenciador y la tapa del motor en forma reversa al orden de desensamblaje.

#### ¡IMPORTANTE!

Si nota acumulación excesiva de carbón, consulte con su centro de servicio autorizado Shindaiwa.



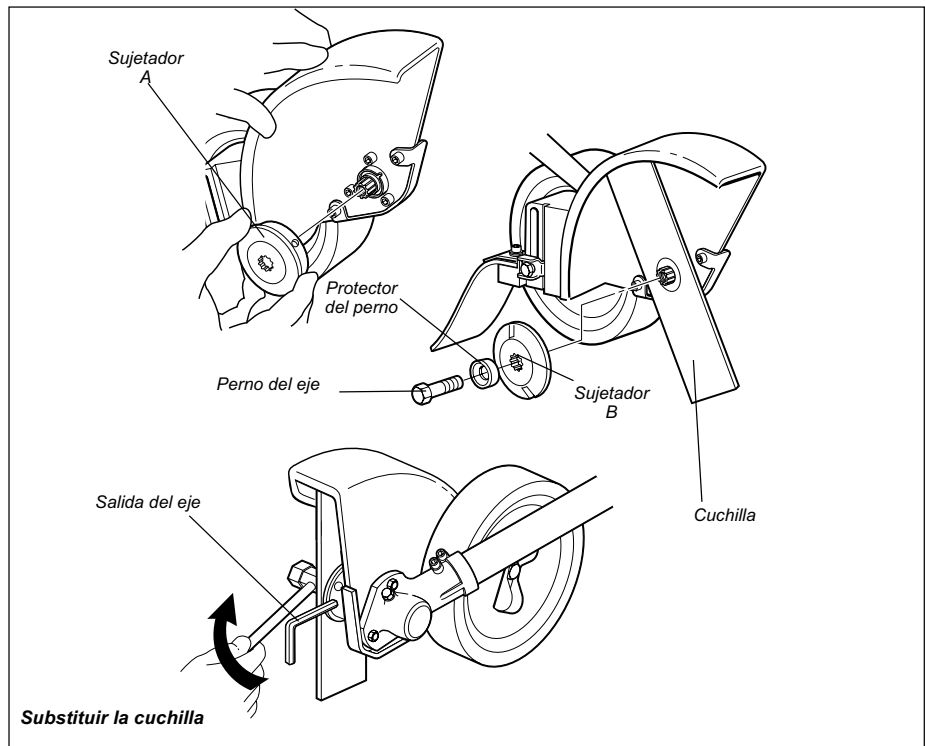
### Substituir la cuchilla



#### ¡ADVERTENCIA!

Siempre use guantes para la manipulación de la cuchilla.

1. Alinee el hoyo del sujetador A con el hoyo correspondiente en la caja de engranajes y entonces utilice la llave hexagonal asegurar temporalmente la salida del eje.
2. Use la llave de la combinación para aflojarse el perno del eje, y entonces quita el perno de eje de salida, Sujetador B y la cuchilla de la caja de engranajes.
3. Monte la cuchilla de la orilladora y el sujetador B en el eje, y entonces instale al seguro del perno y perno del eje (gire el perno hacia la izquierda para instalar).
4. Alinee el hoyo del sujetador A con el hoyo correspondiente en la caja de engranajes y entonces utilice la llave hexagonal asegurar temporalmente la salida del eje.
5. Utilice la llave de la combinación para apretar firmemente el perno del eje. Quite la llave hexagonal.



Qué revisar	Possible causa	Remedio
<p>¿Arranca el motor?</p> <p>SÍ ↓</p>	<p>NO → Arrancador autorretráctil defectuoso. Líquido en el cárter. Daños internos.</p>	<p>Consulte a un agente de servicio de autorizado.</p>
<p>¿Hay buena compresión?</p> <p>SÍ ↓</p>	<p>NO → Bujía suelta. Desgaste excesivo en el cilindro, el pistón o los anillos.</p>	<p>Apriete y pruebe otra vez. Consulte con un agente de servicio autorizado. Consulte a un agente de servicio de autorizado.</p>
<p>¿Contiene el tanque combustible fresco y con el octanaje correcto?</p> <p>SÍ ↓</p>	<p>NO → Combustible incorrecto, viejo o contaminado; mezcla incorrecta.</p>	<p>Rellene con gasolina sin plomo, reciente y limpia con un octanaje de 87 o superior, mezclada con aceite premium para motores de dos tiempos en una proporción gasolina/aceite de 50:1.</p>
<p>¿Puede verse combustible moviéndose en la línea de retorno al cebar?</p> <p>SÍ ↓</p>	<p>NO → Revise el filtro de combustible y el ventilador en busca de obstrucciones.</p>	<p>Reemplace el filtro de combustible o la válvula de presión según sea necesario. Vuelva a arrancar.</p>
<p>¿Hay chispas en el terminal del cable de la bujía?</p> <p>SÍ ↓</p>	<p>NO → El interruptor de encendido está en posición de apagado "O". Conexión a tierra defectuosa. Unidad de encendido defectuosa.</p>	<p>Lleve el interruptor a la posición de encendido "I" y reinicie. Consulte a un agente de servicio de autorizado.</p>
<p>Compruebe la bujía.</p>	<p>Si la bujía está húmeda, puede haber exceso de combustible en el cilindro. La bujía está obstruida o tiene una separación de electrodos incorrecta. La bujía puede tener daños internos o es del tamaño equivocado.</p>	<p>Retire la bujía y arranque el motor, vuelva a colocar la bujía y arranque de nuevo. Limpie y vuelva a calibrar la bujía. Consulte la sección "Especificaciones" para la correcta separación del electrodo de la bujía. Vuelva a arrancar. Reemplace la bujía. Consulte la sección "Especificaciones" para la bujía correcta. Vuelva a arrancar.</p>



## BAJA POTENCIA

### Qué revisar

### Posible causa

### Remedio

<p><b>¿Se sobrecalienta el motor?</b></p>	<p>Unidad sobrecargada por el usuario.</p> <p>La mezcla del carburador es muy pobre.</p> <p>Proporción de combustible inapropiada.</p> <p>Ventilador, tapa del ventilador o aletas del cilindro sucios o dañados.</p>	<p>Corte más espacio.</p> <p>Consulte con un agente de servicio autorizado.</p> <p>Rellene con gasolina sin plomo, reciente y limpia con un octanaje de 87 o superior, mezclada con aceite premium para motores de dos tiempos en una proporción gasolina/aceite de 50:1.</p> <p>Limpiar, reparar o sustituir en caso necesario.</p>
<p><b>El motor funciona bruscamente a cualquier velocidad. También puede que salga humo negro o combustible no quemado por el escape.</b></p>	<p>Depósitos de carbonilla en el pistón o el silenciador.</p> <p>Filtro de aire obstruido.</p> <p>Bujía suelta o dañada.</p> <p>Fuga de aire o conducto de combustible obstruido.</p> <p>Agua en el combustible.</p> <p>Pistón gripado.</p> <p>Carburador y/o diafragma defectuoso.</p>	<p>Consulte con un agente de servicio autorizado.</p> <p>Limpie o reemplace el filtro de aire.</p> <p>Apriete o cambie la bujía. Consulte la sección "Especificaciones" para la bujía correcta. Vuelva a arrancar.</p> <p>Repare o cambie el filtro o el conducto de combustible.</p> <p>Vuelva a llenar de mezcla reciente de combustible y aceite.</p> <p>Consulte con un agente de servicio autorizado</p>
<p><b>El motor golpea.</b></p>	<p>Sobrecalentamiento.</p> <p>Combustible inadecuado.</p> <p>Depósitos de carbonilla en la cámara de combustión.</p>	<p>Consulte con un agente de servicio autorizado</p> <p>Revise el índice de octanaje del combustible; revise si el combustible contiene alcohol. Reposte cuando sea necesario.</p> <p>Consulte con un agente de servicio autorizado.</p>
<p><b>La parte superior del motor se está ensuciando y engrasando.</b></p>	<p>La tapa de la valvula está goteando.</p>	<p>Consulte con un agente de servicio autorizado.</p>

Qué revisar	Posible causa	Remedio
Deficiente aceleración.	Filtro de aire obstruido. Filtro de combustible obstruido. Mezcla de combustible/aire muy pobre. Ralentí ajustado muy bajo.	Limpie o reemplace el filtro de aire. Cambie el filtro de combustible. Consulte con un agente de servicio autorizado. Consulte la sección "Especificaciones" para el régimen de giro al ralentí .
El motor se detiene abruptamente.	Tanque de combustible vacío. Filtro de combustible obstruido. Agua en el combustible. Bujía defectuosa o terminal flojo. Fallo en el sistema de encendido. Pistón gripado	Reposte combustible. Consulte la sección "Llenando el Tanque de Combustible". Cambie el filtro de combustible. Drene; cambie con combustible limpio. Consulte la sección "Llenando el Tanque de Combustible". Limpie o reemplace la bujía. Consulte la sección "Especificaciones" para la bujía correcta. Apriete el terminal. . Reemplace el sistema de encendido. Consulte con un agente de servicio autorizado.
La cubierta de motor se ensucia y se hace aceitosa.	La cubierta de válvula se escapa.	Consulte con un agente de servicio autorizado.
Difícil apagado del motor.	Cable de conexión a tierra (detenido) desconectado o llave defectuosa. Sobrecalentamiento debido a bujía incorrecta. Motor sobrecalentado.	Pruebe y reemplace según sea necesario. Reemplace la bujía. Consulte la sección "Especificaciones" para la bujía correcta. Deje el motor al ralentí hasta que se enfríe.
Excesiva vibración.	Soporte del accesorio suelto. Accesorio torcido o dañado. Caja de engranajes suelta. Eje central doblado, cojinetes desgastados o dañados.	Inspeccione y vuelva a apretar los soportes con firmeza. Examine y cambie el accesorio según sea necesario. Apriete la caja de engranajes con firmeza. Examine y cambie según sea necesario.
El accesorio no gira.	Eje no instalado en el bloque motor o la caja de engranajes. Eje roto. Caja de engranajes dañada.	Examine y vuelva a instalar según sea necesario. Consulte con un agente de servicio autorizado.
El accesorio de corte se mueve al ralentí del motor.	Ralentí demasiado alto. Resorte del embrague roto o resalte desgastado.	Consulte la sección "Especificaciones" para el régimen de giro al ralentí . Reemplace muelle/zapatitas según sea necesario; compruebe el ralentí.

# Declaración de Garantía del Sistema de Emisión

## Sus Derechos y Obligaciones de Garantía

La Junta de Recursos de Aire de California, La Agencia de Protección del Ambiente Estadounidense y la Corporación Shindaiwa se complacen en explicar la garantía del sistema de control del escape y evaporación de emisiones de su nuevo motor pequeño (no para el uso en automóviles).

En California, los motores pequeños (no para el uso en automóviles) están diseñados, contruidos y equipados para cumplir con las normas exigentes de anti-contaminantes del Estado de California. En otros estados, los motores nuevos (no para el uso en automóviles) de 1997 para adelante deben cumplir las normas federales exigentes de la EPA de anti-contaminantes. La Corporación Shindaiwa debe garantizar el sistema de control de emisión de su motor pequeño (no para el uso en automóviles) durante los períodos mencionados abajo, asumiendo que no haya habido abuso, negligencia o mantenimiento impropio en su motor pequeño (no para el uso en automóviles).

Su sistema de control de escape y evaporación de emisiones incluye partes, tal como el carburador, tanque de combustible, el sistema de encendido, y, si está equipado, el convertidor catalítico. Estos componentes están mencionados específicamente abajo.

Cuando exista una condición bajo garantía, la Corporación Shindaiwa reparará su pequeño motor (no para el uso en automóviles) sin costo alguno para usted incluyendo el diagnóstico, repuestos y mano de obra.

## Cobertura de la Garantía del Fabricante

Cuando sea vendido en los Estados Unidos, el sistema de control de emisión de este motor está garantizado por un periodo de dos (2) años desde la fecha en que el producto es entregado por primera vez al comprador minorista original.

Durante el periodo de la garantía, la Corporación Shindaiwa reparará o cambiará, a su discreción, cualquier componente defectuoso relacionado con el sistema de emisión del motor. Durante el periodo original de la garantía, estos derechos de garantía son automáticamente transferibles a propietarios subsiguientes de este producto.

## Que Está Cubierto Por Esta Garantía

1. Los componentes internos del carburador.
  - La válvula de aceleración, la aguja, pistón, diafragma medidor.
2. Tanque de combustible
3. Los componentes del sistema de encendido.
  - Rosca del arrancador.
  - Rotor del volante.
4. Convertidor catalítico (si está originalmente equipado).

El sistema de control de emisión de su motor Shindaiwa puede también incluir ciertas mangueras y conexiones particulares.

## Responsabilidades de Garantía del Propietario

Como propietario del motor pequeño (no para el uso en automóviles), es usted responsable por el rendimiento del mantenimiento requerido y mencionado en este manual del propietario. La Corporación Shindaiwa recomienda que guarde todo los recibos que demuestren el mantenimiento de su motor pequeño (no para el uso en automóviles), pero la Corporación Shindaiwa no puede negar la garantía solamente por la falta de recibos o por no llevar a cabo los mantenimientos programados.

Como propietario del motor pequeño (no para el uso en automóviles), debe saber que la Corporación Shindaiwa puede negarle la cobertura de garantía si su motor o sus partes han fallado debido a abuso, negligencia, mantenimiento impropio, o modificaciones no autorizadas.

Usted es responsable de presentar su pequeño motor (no para el uso en automóviles) a un centro de servicio Shindaiwa autorizado tan pronto como se presente un problema. Las reparaciones bajo garantía deben ser completadas en un tiempo razonable que no exceda 30 días.

Si tiene alguna pregunta con respecto a sus derechos y responsabilidades de garantía, usted debe contactar a un representante del servicio al cliente de Shindaiwa al (503) 692-3070 o a su centro local de servicio Shindaiwa.

## Daños Consiguientes

En el evento de que alguna otra parte de los componentes de este producto estén dañados debido a la falla de alguna parte bajo la garantía, la Corporación Shindaiwa, reparará o cambiará tales partes sin costo alguno para usted.

## Que No Está Cubierto

- Fallas causadas por abuso, negligencia, o mantenimiento impropio.
- Fallas causadas por el uso de piezas o accesorios modificados o no autorizados.

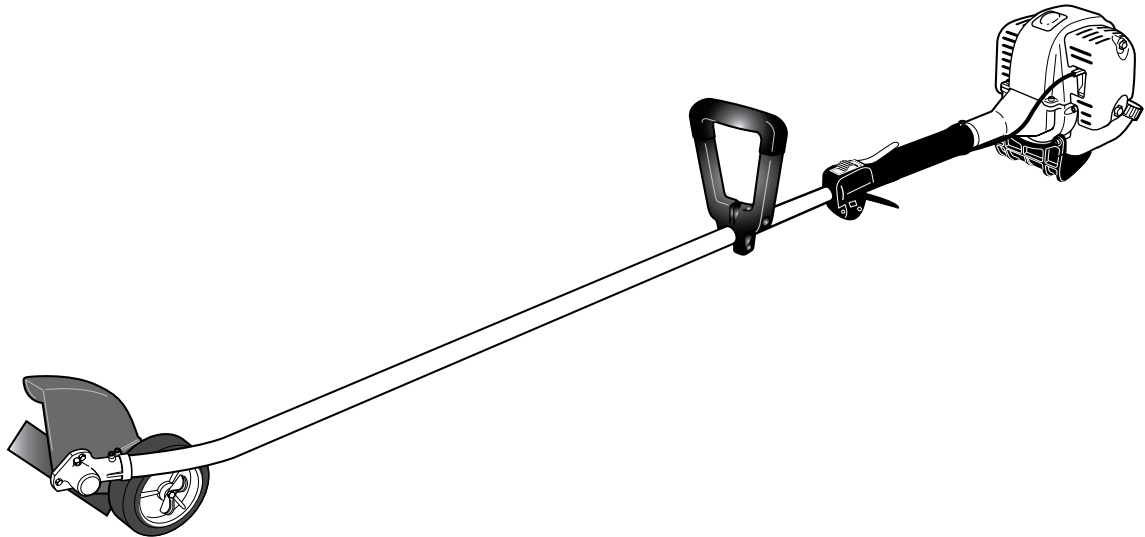
## Esta garantía es administrada por:

Shindaiwa Inc.  
11975 SW Herman Rd  
Tualatin, OR 97062  
Teléfono: 503 692 3070



**MANUEL D'UTILISATION SHINDAIWA**

# **COUPE-BORDURE LE2510/EVC**



**AVERTISSEMENT !**

Limiter tout risque de blessures, sur soi-même ou sur les autres ! Lire le présent manuel et se familiariser avec son contenu. Toujours porter un dispositif de protection pour les yeux et les oreilles pendant l'utilisation de l'appareil.

**shindaiwa**®

Numéro de référence 89307 Rev 6/2009

## Introduction

Le Coupe-Bordure Shindaiwa serie C4 a été conçu et fabriqué dans le but d'offrir des performances et une fiabilité supérieures sans compromettre la qualité, le confort, la sécurité ou la durabilité. Les moteurs Shindaiwa sont à la fine pointe de la technologie des moteurs à deux temps et offrent un rendement exceptionnel, avec une cylindrée remarquablement basse et une conception des plus légères. Comme propriétaire ou utilisateur, vous comprendrez vite pourquoi Shindaiwa est tout simplement une classe en soi !

Shindaiwa se réserve le droit d'apporter des modifications au produit sans préavis et se dégage de toute obligation d'apporter des modifications aux appareils déjà fabriqués.

### IMPORTANT !

Les renseignements contenus dans le présent manuel d'utilisation décrivent les appareils disponibles au moment de la fabrication.



### AVERTISSEMENT !

Les gaz d'échappement du moteur de cet appareil contiennent des produits chimiques reconnus, dans l'état de Californie, comme susceptibles de provoquer le cancer, des anomalies congénitales et d'autres troubles de la reproduction.

## Table des matières

	PAGE		PAGE		PAGE
Sécurité .....	FR_3	Remplissage du réservoir à carburant .....	FR_7	Utilisation .....	FR_10
Nomenclature .....	5	Démarrage du moteur .....	FR_8	Entretien .....	FR_11
Caractéristiques techniques .....	5	Arrêt du moteur .....	FR_9	Remisage à long terme .....	FR_14
Assemblage .....	6	Réglage du ralenti du moteur .....	FR_9	Guide de dépannage .....	FR_16
Mélange de carburant .....	FR_7	Contrôle de l'état de l'appareil .....	FR_9	Déclaration de garantie .....	FR_19

### IMPORTANT !

Les procédures d'utilisation décrites dans ce manuel visent à vous aider à tirer le maximum de votre appareil et à vous protéger (vous-même et les autres) contre les blessures. Ces procédures constituent uniquement des consignes de sécurité couvrant la plupart des conditions d'utilisation, et ne remplacent en aucun cas les autres mesures de sécurité et lois en vigueur dans votre région. Pour toute question sur votre appareil ou pour toute clarification sur les renseignements contenus dans le présent manuel, votre revendeur Shindaiwa se fera un plaisir de vous aider. Pour toute information complémentaire, vous pouvez également contacter Shindaiwa Inc. à l'adresse imprimée au verso du manuel.

## Mises en garde

Vous trouverez des "mises en garde" tout au long du manuel.

**DANGER !**

Un énoncé précédé de la mention « DANGER » contient des informations à prendre en compte pour éviter des blessures graves, voire mortelles.

**AVERTISSEMENT !**

Un énoncé précédé du symbole triangulaire de mise en garde et du mot « AVERTISSEMENT » contient des informations à prendre en compte pour éviter des blessures graves.

### IMPORTANT !

Un énoncé précédé de la mention « IMPORTANT » contient des informations d'une importance particulière.

**MISE EN GARDE !**

Un énoncé précédé du mot « MISE EN GARDE » contient des informations dont il faut tenir compte pour éviter d'endommager l'appareil.

### REMARQUE :

Un énoncé précédé du mot « REMARQUE » contient des informations utiles pouvant faciliter votre travail.

## Étiquettes au fonctionnement et à la sécurité



Lire et suivre les consignes exposées dans le présent manuel et s'assurer que les utilisateurs de l'appareil font de même. Dans le cas contraire, des blessures physiques graves ou une défaillance de l'appareil pourraient s'ensuivre. Conserver le manuel pour référence ultérieure.



Assurez-vous que personne n'est dans 15 m / 50 pieds de la machine tandis qu'il est utilisé.



Prenez garde d'objets jetés ou a ricoché.



Gardez des pieds loin de la lame. La rotation de la lame peut causer la blessure. La lame peut continuer à tourner après que l'unité est arrêtée.



Toujours porter un casque de sécurité afin de réduire le risque de blessure à la tête pendant l'utilisation de cet appareil. Par ailleurs, toujours porter des dispositifs de protection des yeux et des oreilles. Shindaiwa recommande aux utilisateurs de porter une visière de protection afin de protéger correctement les yeux et le visage.



# Sécurité


## Sécurité au travail

L'appareil fonctionne à très haute vitesse et peuvent causer de sérieux dommages et de sérieuses blessures s'ils sont mal utilisés ou si on en fait un emploi abusif. *Ne jamais laisser l'appareil entre les mains d'une personne qui n'a pas lu le mode d'emploi.*

## Demeurer vigilant

Vous devez être physiquement et mentalement alerte pour utiliser cet appareil en toute sécurité.

**AVERTISSEMENT**  Ne jamais utiliser de l'équipement motorisé si vous êtes fatigué, sous l'influence d'alcool, de drogues ou de toute autre substance qui pourrait nuire à votre concentration ou à votre jugement. 

**AVERTISSEMENT !**  Ne jamais installer d'accessoires non approuvés. Ne jamais utiliser des accessoires dont l'installation sur cet appareil n'est pas homologué par Shindaiwa.

## AVERTISSEMENT ! Faire preuve de jugement

**TOUJOURS** porter un dispositif de protection des yeux pour se protéger contre les objets projetés.

**NE JAMAIS** faire fonctionner le moteur lors du transport de l'appareil.

**TOUJOURS** dégager votre espace de travail de tout rebut ou débris dissimulé qui pourrait être projeté sur vous-même ou sur toute personne à proximité.

**TOUJOURS** tenir l'appareil aussi propre que possible. Enlever toute accumulation d'herbes, terre, etc.

**NE JAMAIS** faire fonctionner le moteur à l'intérieur ! S'assurer qu'il y a toujours une bonne ventilation. Les gaz émanant du tuyau d'échappement peuvent causer des blessures graves, voire mortelles.

**TOUJOURS** utiliser des outils de coupe adéquats pour la tâche à accomplir.

**TOUJOURS** arrêter l'appareil s'il se met à vibrer ou s'il devient instable. Inspecter l'appareil pour détecter toute pièce ou accessoires brisés, mal installés ou manquants éventuels.

**TOUJOURS** tenir l'appareil fermement avec les deux mains pour couper ou émonder et garder le contrôle en tout temps.

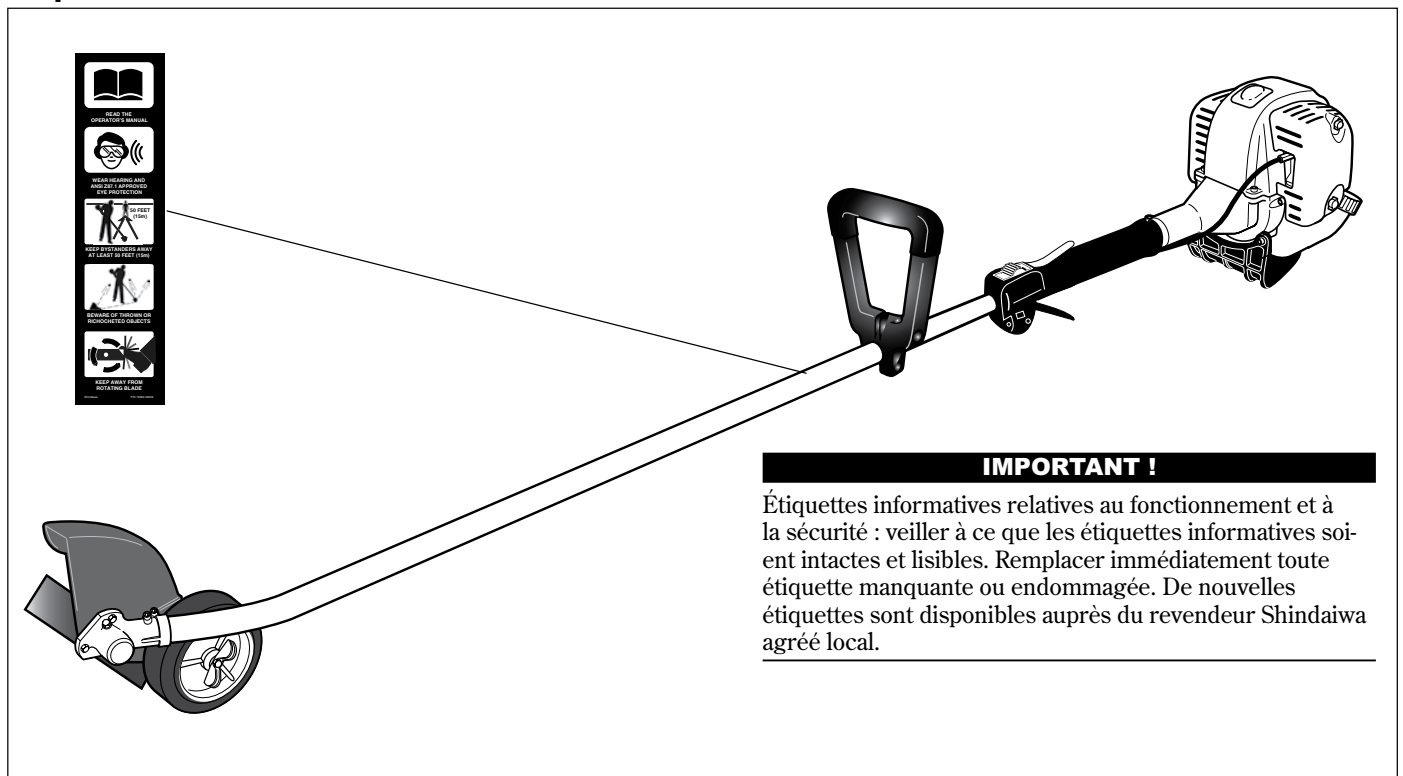
**TOUJOURS** garder les poignées propres.

**TOUJOURS** débrancher le fil de bougie avant de faire des travaux d'entretien.

**TOUJOURS** arrêter l'appareil immédiatement si la lame se coince pendant la coupe. endommagée ! Pousser la branche ou l'arbre pour décoincer et dégager la lame.

Français

## Étiquettes de sécurité



**IMPORTANT !**

Étiquettes informatives relatives au fonctionnement et à la sécurité : veiller à ce que les étiquettes informatives soient intactes et lisibles. Remplacer immédiatement toute étiquette manquante ou endommagée. De nouvelles étiquettes sont disponibles auprès du revendeur Shindaiwa agréé local.



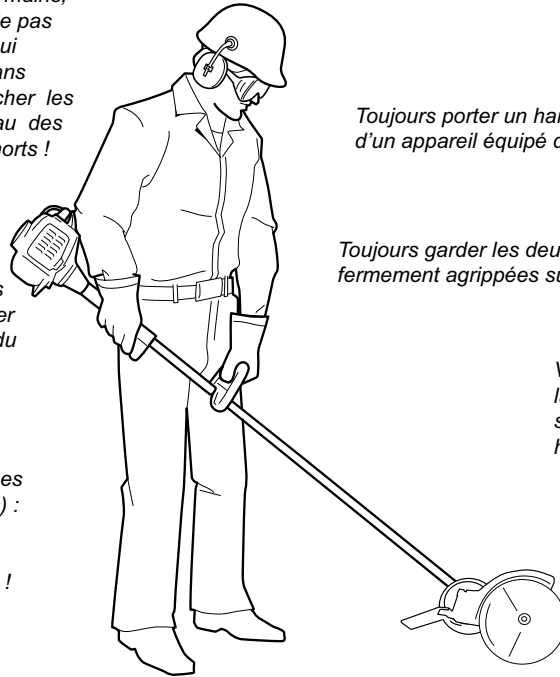
## Sécurité (suite)

### Équipement complet de l'utilisateur

Porter des vêtements ajustés pour protéger vos bras et jambes. Les gants assurent une protection supplémentaire des mains, et sont fortement recommandés. Ne pas porter de vêtements ou de bijoux qui pourraient facilement se coincer dans l'appareil ou les broussailles. Attacher les cheveux longs au-dessus du niveau des épaules. **NE JAMAIS** porter de shorts !

Garder le pied ferme et ne pas tendre le bras trop loin—Garder l'équilibre à tout moment lors du fonctionnement de l'appareil.

Porter des chaussures appropriées (bottes ou souliers antidérapants) : ne pas porter de sandales ou de chaussures à bouts ouverts. Ne jamais utiliser l'appareil nu-pieds !



Porter un dispositif de protection pour les oreilles et un chapeau à large bord ou un casque.

Toujours porter un harnais lors de l'utilisation d'un appareil équipé d'une lame.

Toujours garder les deux mains fermement agrippées sur l'appareil.

Veiller à rester éloigné du fil de coupe ou de la lame en rotation à tout moment, et ne jamais soulever d'accessoire mobile plus haut qu'à hauteur de taille.

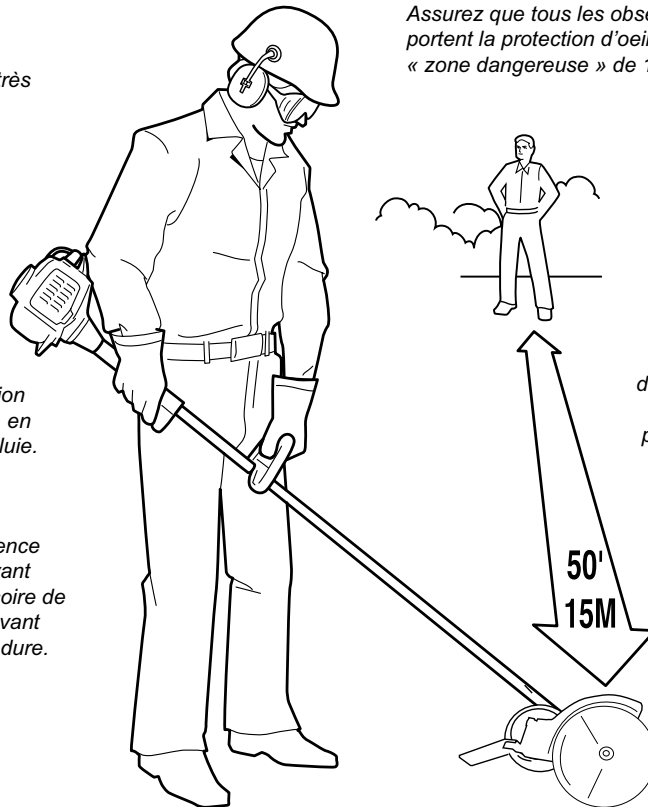
Toujours s'assurer que le carter de l'accessoire de coupe approprié est correctement installé et en bon état.

### Tenir compte de l'environnement de travail

Éviter toute utilisation prolongée à température très chaude ou très froide.

Faire extrêmement attention en cas de terrain glissant, en particulier par temps de pluie.

Tenir compte en permanence des objets et débris pouvant être projetés par l'accessoire de coupe en rotation ou pouvant rebondir sur une surface dure.



Assurez que tous les observateurs portent la protection d'oeil dans la « zone dangereuse » de 15 mètres .

En cas d'utilisation en terrain rocailleux ou près de câbles ou de clôtures en fil de fer, faire extrêmement attention à ne pas faire entrer l'accessoire de coupe en contact avec de tels objets.

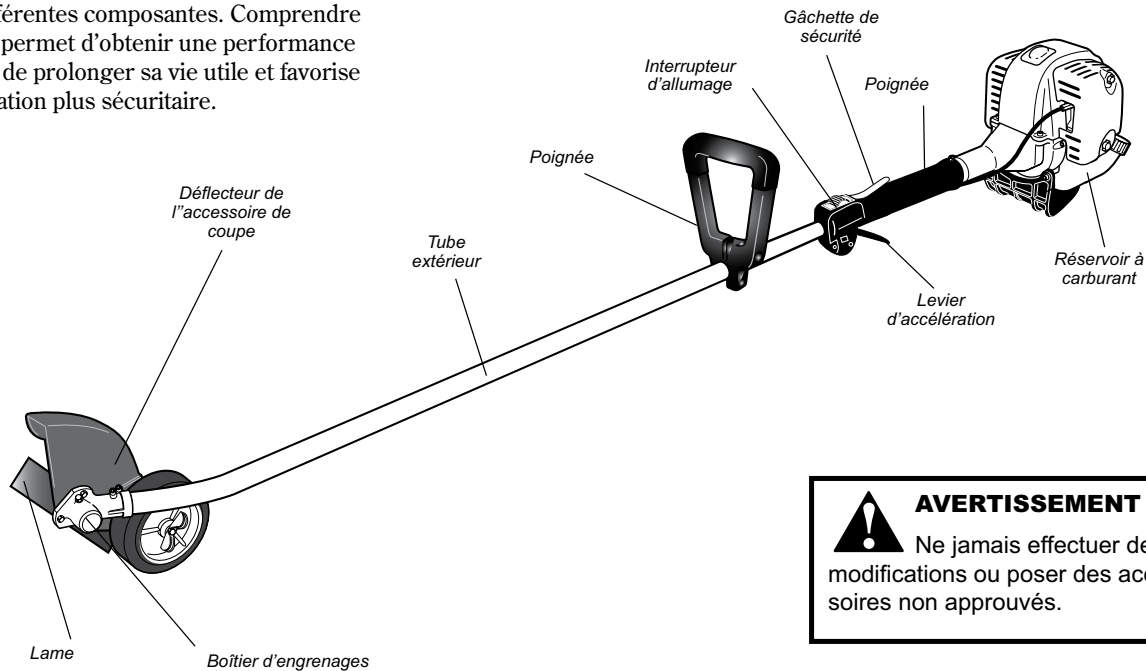
Réduire les risques de blessures des personnes à proximité par projection de débris. S'assurer que personne ne se trouve à moins de 15 mètres—soit environ 16 pas—d'un accessoire en cours d'utilisation.

En cas de contact avec un objet dur, arrêter le moteur et inspecter l'accessoire de coupe.

Toujours s'assurer que le carter de l'accessoire de coupe approprié est correctement installé.

## Nomenclature

En utilisant les illustrations d'accompagnement comme guide, se familiariser avec l'appareil et ses différentes composantes. Comprendre l'appareil permet d'obtenir une performance optimale, de prolonger sa vie utile et favorise une utilisation plus sécuritaire.



**AVERTISSEMENT !**  
Ne jamais effectuer des modifications ou poser des accessoires non approuvés.

## Caractéristiques techniques

<b>Modèle du moteur</b>	<b>SF2510E</b>
<b>Peso sin Combustible</b> (Accesorios incluidos)	6.1 kg / 13.4 libras
<b>Type de moteur</b>	4-temps, refroidissement à air, moteur à essence, cylindre vertical
<b>Alésage x course</b>	34 x 27 mm / 1.3 x 1.1 in.
<b>Cylindrée</b>	24.5cc/1.5 cu. in.
<b>Régime moteur maximal</b>	0.8 kW / 1.1 HP @ 7500 rpm (min <sup>-1</sup> )
<b>Vitesse du ralenti ( recommandée )</b>	3,000 (±250) min <sup>-1</sup>
<b>Rapport essence/huile</b>	50:1 avec de l'huile pour moteur à deux temps de catégorie ISO-L-EGD ou JASO FC
<b>Carburateur</b>	Walbro WYL, à diaphragme
<b>Capacité du réservoir à carburant</b>	590 ml / 20,0 oz.
<b>Allumage</b>	entièrement électronique, programmé
<b>Bougie**</b>	NGK CMR5H
	Écart d'électrode
	0.6 - 0.7 mm / .024 - .028 in.
	Moment de torsion
	100-150 kg cm / 9.8 - 14.7 N·m
<b>Type de filtre à air</b>	Pré-filtre : mousse ; filtre principal : élément sec non réversible
<b>Démarrage</b>	Poignée de lanceur
<b>Arrêt</b>	Commutateur à glissoire
<b>Type de transmission</b>	Automatique, embrayage centrifuge avec pignon conique
<b>Période de conformité aux normes d'émission EPA*</b>	Catégorie A

Les caractéristiques techniques sont susceptibles d'être modifiées sans préavis.

\* La conformité aux normes d'émissions EPA, mentionnée sur l'étiquette de contrôle des émissions située sur le moteur, indique le nombre d'heures de fonctionnement pour lesquelles le moteur est conforme aux exigences fédérales concernant les émissions. Catégorie C = 50 heures (Modéré), B = 125 heures (Intermédiaire) et A = 300 heures (Étendu).

\*\*La bougie NGK CMR5H répond également aux exigences en matière de conformité électromagnétique (CEM).

## Assemblage

### Avant l'assemblage

Avant d'assembler l'appareil, s'assurer que toutes les pièces requises pour l'unité sont présentes :

- Assemblage du tube extérieur
- Défecteur de l'accessoire de coupe

- **Lame du coupe-bordures**
- **Kit d'outils:** Les kits d'outils varient par modèle et ils peuvent inclure une clé hexagonale, une clé bougie et destonillador, et une clé anglaise. Inspectez l'unité et les composants à la recherche de dommages.

### IMPORTANT!

Les termes « gauche », « à gauche » et « vers la gauche » ; « droite », « à droite » et « vers la droite » ; « avant » et « arrière » font référence à la direction telle que vue par l'opérateur lors d'une utilisation normale de l'appareil.

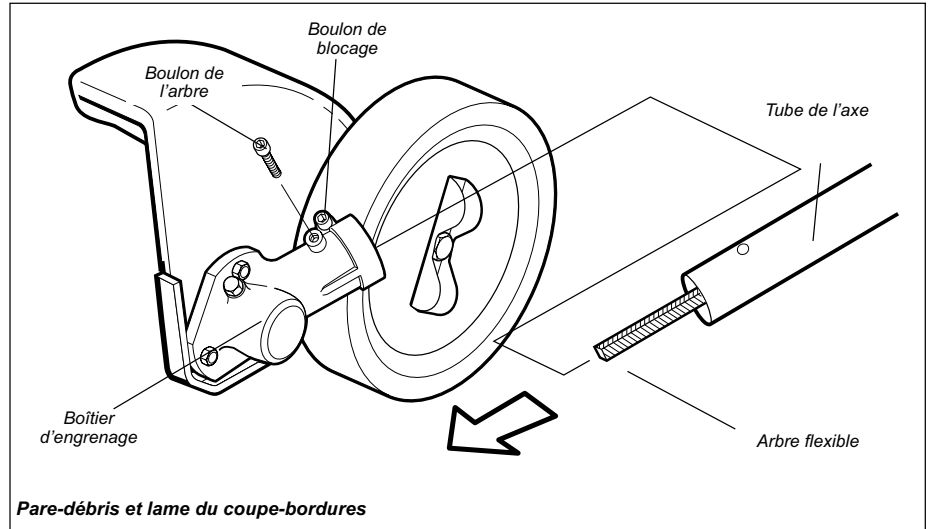
### Pare-débris et lame du coupe-bordures

1. Desserrer le boulon de blocage du boîtier d'engrenage.
2. Enlever le boulon de l'arbre.
3. Glisser le boîtier d'engrenage orienté comme indiqué sur le tube de l'axe en puits assurant que l'arbre flexible est engagée dans le boîtier d'engrenage.

#### NOTE :

Il peut être nécessaire de tirer l'arbre flexible du tube de l'axe, et l'insérer dans le boîtier d'engrenage avant le glissement de l'accessoire de coupe sur le tube de l'axe.

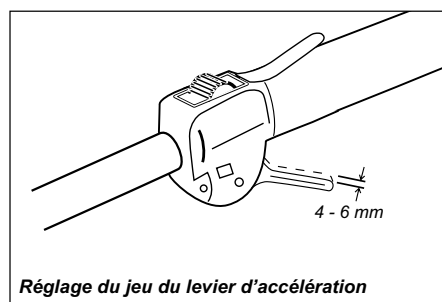
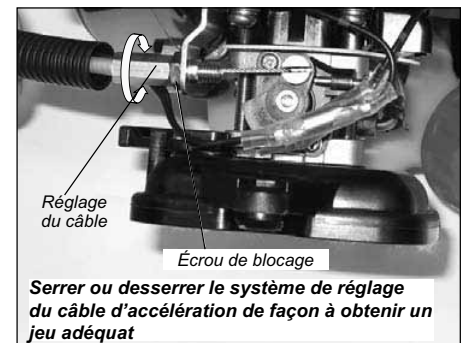
4. Réinstaller et serrer fermement le boulon de l'arbre.
5. Serrez le boulon de blocage et le moment de torsion à 52 - 69 livres de pouce.



### Réglage du jeu du levier d'accélération

Le jeu du levier d'accélération doit être réglé à environ 4-6 mm (3/16" - 1/4"). S'assurer que le levier d'accélération fonctionne en douceur, sans se coincer. S'il est nécessaire de régler le jeu du levier d'accélération, suivre les instructions fournies par les procédures et illustrations ci-dessous.

1. Desserrer les boutons du couvercle du filtre à air et retirer le couvercle du filtre à air.
2. Serrer ou desserrer le système de réglage du câble d'accélération de façon à obtenir un jeu adéquat de 4 - 6 mm (3/16 - 1/4 in.).
3. Serrer l'écrou de blocage.
4. Réinstaller le couvercle du filtre à air.



## Mélange de carburant

### MISE EN GARDE !

- Ne jamais utiliser un carburant contenant plus de 10 % d'alcool par volume. Certains carburants contiennent de l'alcool comme oxygénant. Le carburant oxygéné peut causer l'augmentation des températures de fonctionnement. Dans certaines situations, le carburant à base d'alcool peut également faire diminuer les propriétés lubrifiantes de certains mélanges d'huile pour moteur à deux temps.
- Les huiles génériques et certaines huiles pour moteurs hors-bord ne doit jamais être utilisé avec les moteurs de Shindaiwa.

### MISE EN GARDE !

Ce moteur est conçu pour fonctionner avec un mélange d'essence sans plomb et d'huile de catégorie ISO-L-EGD ou JASO FD pour moteur à deux temps seulement, dans une proportion de 50:1. L'utilisation de mélanges d'huile non autorisés risque d'entraîner une accumulation excessive de dépôt de calamine.

- Utiliser uniquement de l'essence sans plomb propre dont l'indice d'octane est égal ou supérieur à 87.
- Mélanger l'essence avec une huile pour moteurs à deux temps dont les caractéristiques sont conformes ou supérieures aux exigences des normes ISO-L-EGD et/ou JASO FD selon un rapport de 50:1.

### MISE EN GARDE !

Le mélange et verse le carburant en plein air où il n'y a aucune étincelle et flammes.

### Exemples de quantités de mélange de carburant à 50:1

U.S.		Metric	
Essence	Huile moteur à deux temps	Essence	Huile moteur à deux temps
États-Unis Gallons	États-Unis Fl.oz.	Litres	cc.
1	2.6	4	80
2	5.2	8	160
5	13	20	400
10	25.6	30	600
20	51.2	50	1000
50	128	100	2000

### IMPORTANT !

Uniquement préparer la quantité dont vous avez besoin dans l'immédiat ! Si le carburant doit être remis plus de 30 jours et que l'huile **ONE** avec stabilisateur n'est pas utilisée, il est préférable de la stabiliser à l'aide d'un produit adapté.

L'huile **ONE** est une huile conforme à la norme JASO FD, et satisfait également aux exigences de la norme ISO-L-EGD relative aux performances. L'huile Shindaiwa One est préconisée pour tous les moteurs à émissions réduites de Shindaiwa, et contient également un stabilisateur.

## Remplissage du réservoir à carburant



### AVERTISSEMENT !

Réduire les risques d'incendie !

- **NE JAMAIS** fumer ou allumer de feu à proximité du moteur.
- **TOUJOURS** arrêter le moteur et le laisser refroidir avant de faire le plein.
- **TOUJOURS** nettoyer tout déversement de carburant et déplacer le moteur à au moins 3 mètres du lieu et de la source de remplissage avant de démarrer !
- **NE JAMAIS** placer de matière inflammable à proximité du silencieux du moteur.
- **NE JAMAIS** utiliser le moteur sans silencieux ou sans pare-étincelles, et sans que ceux-ci ne fonctionnent correctement.
- **LE CARBURANT EST FORTEMENT INFLAMMABLE.**
- Gardez **TOUJOURS** l'essence dans un conteneur approuvé.
- **TOUJOURS** vérifier qu'il n'y a pas de fuites de carburant avant chaque usage. À chaque remplissage, s'assurer que le carburant ne s'écoule pas du bouchon et/ou du réservoir de carburant. En cas de fuite apparente, cesser immédiatement d'utiliser l'appareil. Réparer toute fuite de carburant avant d'utiliser l'appareil.
- **TOUJOURS** déplacer l'appareil à 3 mètres au moins de l'aire de remplissage ou d'autres substances inflammables avant de démarrer le moteur.

1. Placer l'appareil sur une surface plane et stable.
2. Enlever tout débris ou toute saleté du bouchon du réservoir de carburant.

### MISE EN GARDE !

Enlevez le bouchon de réservoir lentement seulement après l'arrêt du moteur.

3. Enlever le bouchon du réservoir et verser du carburant propre dans le réservoir.
4. Remettre le bouchon sur le réservoir de carburant et serrer fermement.
5. Nettoyer tout déversement d'essence avant de démarrer le moteur.

# Démarrage du moteur

## IMPORTANT !

L'allumage du moteur est commandé par un commutateur à deux positions (marche/arrêt) monté sur le corps de l'accélérateur. En général, ce bouton porte l'inscription « I » pour MARCHE et « O » pour ARRÊT.



### AVERTISSEMENT !

Ne jamais démarrer l'appareil en position d'utilisation.

1. Glisser le commutateur d'allumage sur la position « I » (MARCHE).
2. Régler le levier d'accélération en position « ralenti rapide » de la façon suivante :
  - a. Ramener le levier d'accélération en direction de la poignée sur le tube de l'axe.
  - b. Appuyer sur le bouton de blocage de l'accélérateur et le maintenir enfoncé.
  - c. Tout en enfonçant le bouton de blocage de l'accélérateur, relâcher le levier d'accélération

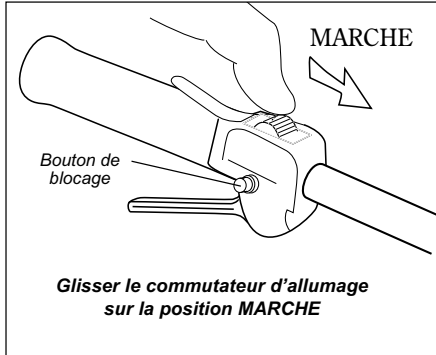
### IMPORTANT !

Le système d'amorçage ne fait qu'injecter du carburant dans le carburateur. Appuyer à plusieurs reprises sur la poire d'amorçage ne risque pas de noyer le moteur avec du carburant.

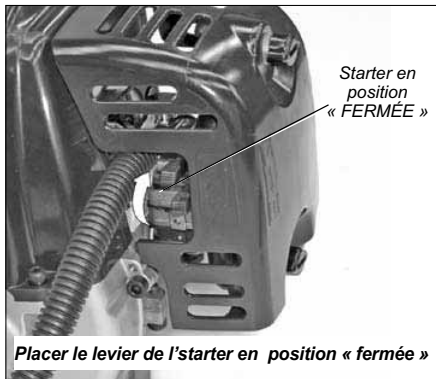
3. Appuyer à plusieurs reprises la pompe d'amorçage du carburateur jusqu'à voir le carburant circuler dans la conduite de retour transparente.
4. Placer le levier de l'starter en position « fermée » si le moteur est froid.
5. Tout en tenant fermement le tube extérieur de la main gauche, de la main droite, tirer sur la poignée du démarreur (vers le haut), lentement, jusqu'à ce que vous sentiez le moteur s'engager.

### MISE EN GARDE !

Ne jamais tirer la corde de démarrage à rappel jusqu'au bout. Tirer la corde de démarrage à rappel risque d'endommager le démarreur.



Glisser le commutateur d'allumage sur la position MARCHE



Placer le levier de l'starter en position « fermée »



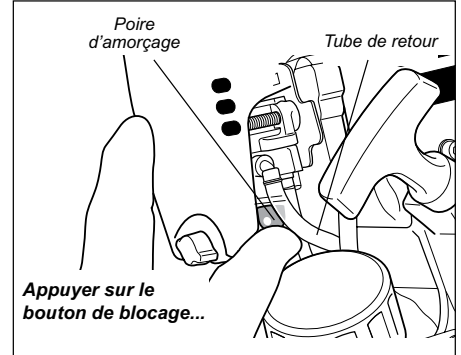
### AVERTISSEMENT !

L'accessoire de coupe risque de tourner lorsque le moteur démarre !

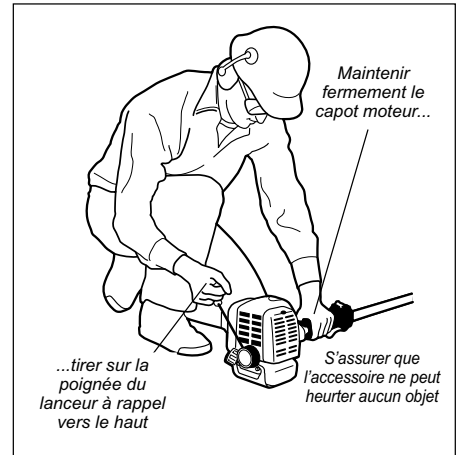
6. Quand le moteur démarre, déplacer lentement le levier de l'étrangleur vers la position « ouverte ». (Si le moteur s'arrête après le premier démarrage, fermer l'étrangleur et recommencer.)
7. L'actionnement du levier d'accélération libère automatiquement le mécanisme du ralenti rapide.

### IMPORTANT !

Si le moteur ne démarre pas après plusieurs tentatives alors que l'starter est en position « fermée », il est peut-être noyé. Consulter la section « Démarrage d'un moteur noyé » de ce manuel.



Appuyer sur le bouton de blocage...



...tirer sur la poignée du lanceur à rappel vers le haut

Maintenir fermement le capot moteur...

S'assurer que l'accessoire ne peut heurter aucun objet



Quand le moteur démarre, déplacer lentement le levier de l'starter vers la position « ouverte »

## Lorsque le moteur démarre...

- Une fois le moteur démarré, le laisser tourner à faible régime pendant 2 à 3 minutes afin de le laisser chauffer avant d'utiliser l'appareil.
- Une fois le moteur chaud, prendre l'appareil et fixer le harnais, le cas échéant.

- Une pression sur le levier d'accélération accélère le mouvement d'oscillation de l'accessoire de coupe ; le relâchement de l'accélérateur permet à l'accessoire de coupe de s'immobiliser. Si

l'accessoire de coupe ne s'immobilise pas alors que le moteur tourne au ralenti, il faut régler le régime de ralenti du carburateur (voir « Réglage du ralenti du moteur », à la page suivante).



## Démarrage du moteur (suite)

### Démarrage d'un moteur noyé

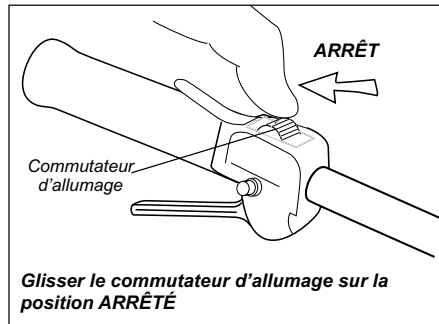
1. Glisser l'interrupteur d'allumage dans la position « O » (ARRÊT).
2. Débrancher le fil de la bougie, puis retirer celle-ci à l'aide de la clé à bougie fournie (tourner la bougie en sens contraire des aiguilles d'une montre pour la desserrer).
  - Si la bougie est encrassée ou imbibée de carburant, la nettoyer si nécessaire.
3. Ouvrir le starter et appuyer complètement sur le levier d'accélération de la main gauche, puis tirer rapidement sur la poignée du lanceur de la main droite pour évacuer l'excédent de carburant de la chambre de combustion.
4. Remplacer la bougie et le resserre fermement avec la clé plate de bougie. Si une clé dynamométrique est

disponible, Consulter la section « Caractéristiques techniques » pour le moment de torsion la bougie. Répéter la procédure de démarrage pour un moteur chaud.

5. Si le moteur ne démarre toujours pas, consulter la section de dépannage.

## Arrêt du moteur

1. Après une séance de travail, laisser tourner le moteur au ralenti 2 à 3 minutes afin qu'il retrouve une température normale.
2. Glisser l'interrupteur en position « O » (ARRÊT).



### IMPORTANT

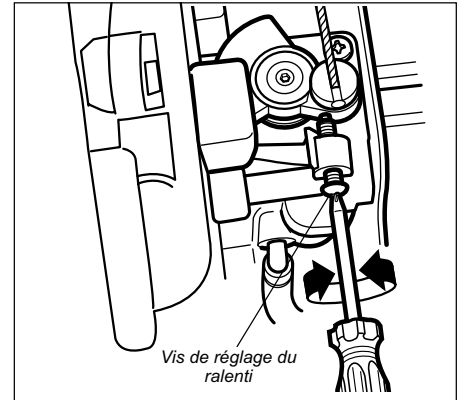
Une fois l'appareil éteint, attendre que la lame soit immobile avant de déposer l'appareil.

## Réglage du ralenti du moteur

Le moteur doit retourner au régime de ralenti dès que le levier d'accélération est relâché. Le régime de ralenti est réglable ; il doit être réglé assez bas pour que l'embrayage se désengage et que l'accessoire de coupe cesse de tourner lorsque le levier d'accélération est relâché.

### Réglage du ralenti

1. Poser l'appareil sur le sol, puis démarrer le moteur et le laisser tourner à bas régime pendant 2 à 3 minutes jusqu'à ce qu'il soit chaud.
2. Si l'accessoire de coupe oscille lorsque le moteur tourne au ralenti, réduire le régime de ralenti en tournant la vis de réglage du ralenti en sens contraire des aiguilles d'une montre.
3. Si un tachymètre est disponible, régler le régime du ralenti aux valeurs inscrites dans la section de « Spécifications ».



### AVERTISSEMENT !

L'accessoire de coupe ne doit JAMAIS tourner quand le moteur est au ralenti ! S'il est impossible de régler le régime de ralenti en suivant les procédures indiquées, retourner l'appareil au vendeur Shindaiwa.

### NOTE

Les réglages du mélange de carburant du carburateur sont réalisés en usine et ne peuvent être modifiés sur le terrain..

## Contrôle de l'état de l'appareil

**NE JAMAIS** faire fonctionner l'appareil sans le carter de l'accessoire de coupe ou autres dispositifs de protection !

Utiliser uniquement des pièces et accessoires autorisés Shindaiwa avec votre taille-bordure Shindaiwa. Ne pas apporter de modifications à l'appareil sans l'autorisation écrite de Shindaiwa, Inc.

**TOUJOURS** s'assurer que l'accessoire de coupe est correctement installé et fermement serré avant toute utilisation.

**NE JAMAIS** utiliser un accessoire de coupe fendillé ou voilé : le remplacer par un outil de coupe en bon état.

**TOUJOURS** s'assurer que l'accessoire de coupe se règle correctement sur le support de l'accessoire approprié. Si un accessoire installé correctement vibre, le remplacer par un nouvel accessoire et vérifier une nouvelle fois.

**TOUJOURS** arrêter le moteur immédiatement et vérifier si l'accessoire de coupe est endommagé après avoir percuté un objet solide, ou si l'appareil devient instable.

**NE PAS** utiliser un accessoire de coupe brisé ou endommagé.

**NE JAMAIS** faire fonctionner le moteur à haut régime sans charge. Cela pourrait endommager le moteur.

**NE JAMAIS** faire fonctionner un appareil dont les attaches ou supports d'accessoire sont usés ou endommagés.



### AVERTISSEMENT !

Un carter d'accessoire de coupe ou tout autre dispositif de protection n'offre pas de garantie de protection contre les ricochets. **TOUJOURS PRENDRE GARDE AUX PROJECTIONS DE DÉBRIS !**

# Utilisation

## Consignes d'utilisation du coupe-bordures



### AVERTISSEMENT !

- Porter des lunettes de sécurité, des pantalons longs et des bottes pendant l'utilisation de l'appareil !
- Toujours arrêter le coupe-bordures et vérifier l'état de la lame si l'appareil percute un objet solide. Ne jamais utiliser le coupe-bordures si la lame est endommagée!
- Avant d'utiliser le coupe-bordures, s'assurer que l'aire de travail est suffisamment maléable pour éviter que la lame s'enlise. Arroser l'aire de travail au besoin.
- Enlever les débris et tout autre obstacle que la lame rotative pourrait projetés.
- Veiller à toujours utiliser le coupe-bordures du côté droit de l'utilisateur.

- Faire tourner l'accessoire à puissance moyenne au-dessus de l'aire de travail avant de pénétrer le sol. Abaisser lentement la lame vers le sol tout en accélérant le régime.
- Ne pas introduire le coupe-bordures trop rapidement dans l'aire de travail pour éviter que le moteur ou la lame ne s'enlise.
- L'utilisation fréquente du coupe-bordures rehausse la beauté d'un espace vert et l'affûtage régulier facilite l'entretien..



### MISE EN GARDE!

L'utilisation du coupe-bordures à faible régime risque de causer l'usure précoce de l'embrayage.

## Régler la profondeur de coupe de la lame

La profondeur de coupe dépend de la taille de l'utilisateur, de l'usure de la lame et de la position de la roue du coupe-bordures.

### Ajustement de la hauteur de la lame:

1. Desserrer le bouton de réglage de la roue.
2. Élever ou abaisser la roue à la position désirée.
3. Serrer fermement le bouton de réglage de la roue.



### AVERTISSEMENT !

Utiliser uniquement les lames de remplacement Shindaiwa.

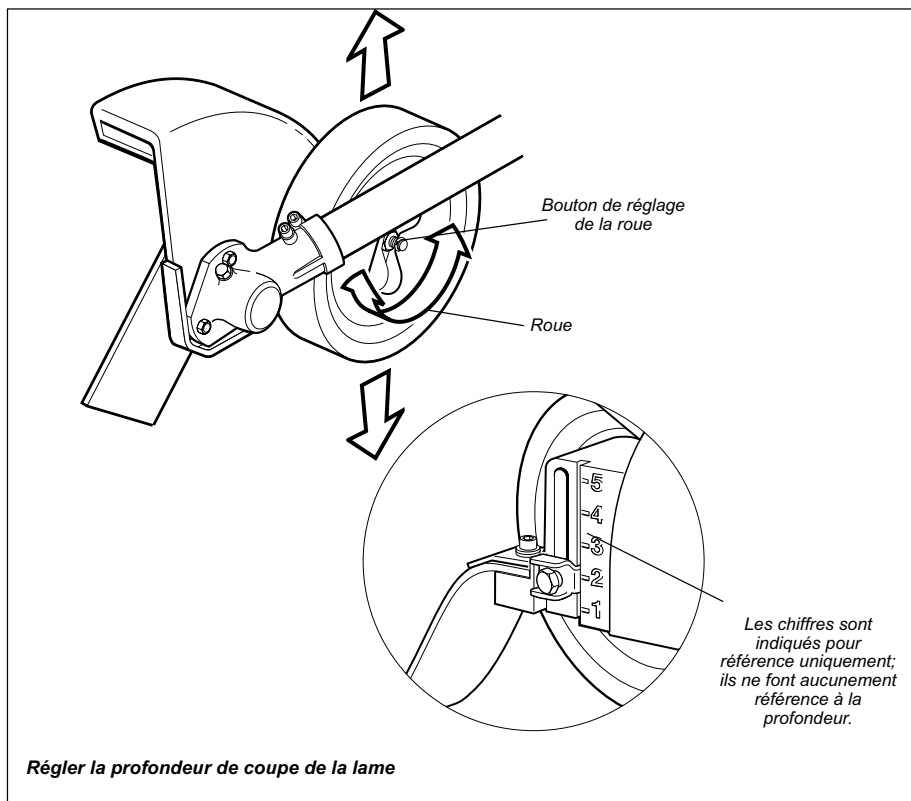


### AVERTISSEMENT !

Ne jamais ajuster la roue pendant que le moteur fonctionne.

### NOTE :

Le réglage de la roue permet également de compenser l'usure de la lame.





# Entretien

## Entretien général

### IMPORTANT !

L'ENTRETIEN, LE REMPLACEMENT OU LA RÉPARATION D'UN DISPOSITIF DE CONTRÔLE DES ÉCHAPPEMENTS ET DES SYSTÈMES PEUT ÊTRE EFFECTUÉ PAR TOUT ÉTABLISSEMENT DE RÉPARATION OU INDIVIDU. CEPENDANT, LES RÉPARATIONS COUVERTES PAR LA GARANTIE DOIVENT ÊTRE EFFECTUÉES PAR UN DÉTAILLANT OU UN CENTRE DE SERVICES AUTORISÉ PAR SHINDAIWA SOCIÉTÉ COMMERCIALE L'UTILISATION DE PIÈCES DONT LE RENDEMENT ET LA DURABILITÉ NE SONT PAS ÉQUIVALENTS AUX PIÈCES UTILISÉES PEUT COMPROMETTRE L'EFFICACITÉ DU SYSTÈME ANTIPOLLUTION ET L'ACCEPTATION D'UNE DEMANDE DE RÉPARATION AU TITRE DE LA GARANTIE.

### NOTE

L'utilisation de pièces de remplacement autres que celles approuvées peut invalider la garantie Shindaiwa.

### Silencieux

Ne jamais faire fonctionner l'appareil sans silencieux ou sans pare-étincelles ou s'ils sont endommagés. S'assurer que le silencieux est fixé correctement et en bon état. Un silencieux usé ou endommagé représente un risque d'incendie et peut causer la perte de l'ouïe.

### Bougie

Garder la bougie et les fils de connexion serrés et propres.

### Entretien quotidien

Suivre la procédure suivante au début de chaque journée de travail :

- Enlever la saleté et les débris sur le moteur, vérifier les ailettes de refroidissement et le filtre à air et les nettoyer au besoin.
- Enlever toute accumulation de saleté ou de débris du silencieux et du réservoir à carburant. Inspecter l'entrée d'air du système de refroidissement à la base du carter de vilebrequin.
- Éliminer toute accumulation de débris. Les accumulations de saleté sur ces pièces peuvent causer la surchauffe du moteur, un incendie ou l'usure précoce de l'appareil.
- Enlever toute accumulation de saleté ou de débris de l'accessoire de coupe.
- Vérifier qu'aucune vis ou composante n'est desserrée ou manquante. S'assurer que l'accessoire de coupe est solidement fixé.



### AVERTISSEMENT !

Avant de procéder à l'entretien, à la réparation ou au nettoyage de l'appareil, s'assurer que le moteur et l'accessoire de coupe sont arrêtés. Débrancher le fil de la bougie avant de procéder à l'entretien ou à la réparation.

### Attaches

S'assurer que les écrous, boulons et vis (excepté les vis de réglage du carburateur) sont serrés.

### Filtre à air

Le moteur C4 alimentant le modèle Shindaiwa est un moteur hybride à 4 temps. En tant que moteur hybride, le moteur est lubrifié par un mélange d'huile, d'essence et d'air du carburateur se déplaçant à l'intérieur du moteur de la même façon que pour la lubrification d'un moteur à 2 temps. Sans le filtre à air à 2 niveaux de filtration haut rendement présent sur tous les moteurs C4, des particules de poussière et des saletés peuvent également se loger dans le moteur, réduisant la vie utile du moteur, accélérant l'usure des soupapes et entraînant la nécessité de régler le jeu des soupapes plus souvent. Pour que le moteur C4 reste puissant et fiable, Shindaiwa recommande de contrôler le filtre à air et procéder à son entretien selon les instructions de la section Entretien toutes les 10 heures ci-dessous.



### AVERTISSEMENT !

Les pièces non approuvées risquent de ne pas fonctionner correctement et de causer des dommages ou des blessures.

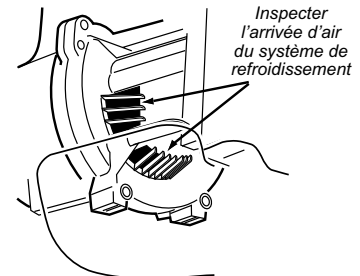
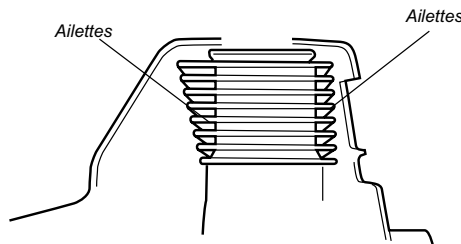
### Lames

Maintenir les lames tranchantes et vérifier l'état de la lame régulièrement. Si les performances d'une lame sont soudainement diminuées, arrêter le moteur et vérifier que la lame n'est pas fendillée ou endommagée. Remplacer IMMÉDIATEMENT toute lame endommagée !



### AVERTISSEMENT !

- Ne jamais réparer une lame endommagée en soudant, en redressant ou en modifiant sa forme initiale. Une lame modifiée peut casser pendant l'utilisation et causer des blessures graves.
- Les lames des débroussailluses Shindaiwa ne sont pas interchangeables. L'utilisation de tout appareil équipé d'une lame ou d'un accessoire non autorisé pour cet appareil présente des risques et peut causer des blessures graves.



Enlever la saleté et les débris sur le moteur, et les ailettes de refroidissement

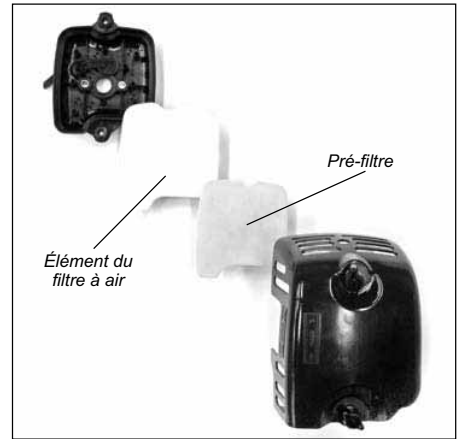
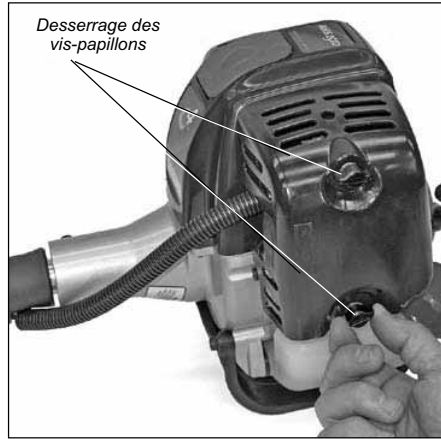
- Vérifier qu'il n'y a pas de fuite de carburant ou d'huile.
- S'assurer que les écrous, boulons et vis (excepté les vis de réglage du régime de ralenti du carburateur) sont serrés.

## Entretien (suite)

### Entretien toutes les 10 heures

(plus souvent dans des conditions difficiles)

1. Enlever le couvercle du filtre à air en desserrant les vis-papillons.
2. Enlever et inspecter le pré-filtre. Si le pré-filtre est tordu ou endommagé, le remplacer par un neuf.
3. Nettoyer le pré-filtre avec de l'eau savonneuse. Laisser sécher avant de remettre en place.
4. Inspecter l'élément du filtre à air. Si l'élément est tordu ou endommagé, le remplacer par un neuf.
5. Taper doucement le filtre sur une surface dure pour ôter les débris de l'élément ou utiliser un jet d'air comprimé de l'intérieur pour enlever les débris de l'élément du filtre à air.
6. Installer l'élément du filtre, le pré-filtre et le couvercle dans l'ordre inverse à l'ordre de retrait.



#### IMPORTANT !

Diriger le courant d'air vers la face intérieure du filtre seulement !

#### MISE EN GARDE !

Ne jamais faire fonctionner l'appareil si l'ensemble du filtre à air est endommagé ou manquant !

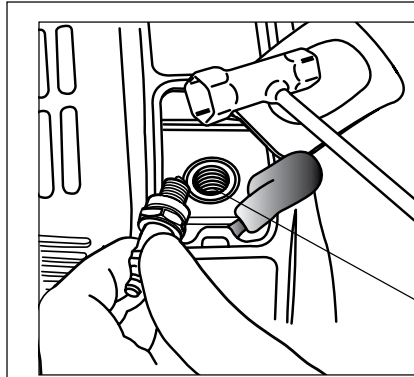
### Entretien toutes les 10 - 15 heures

#### Enlever et nettoyer la bougie.

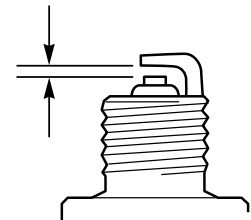
- Enlever et nettoyer la bougie. Consulter la section "Caractéristiques techniques" pour le type correct de bougie d'allumage et pour l'écart d'électrode correct.

#### MISE EN GARDE !

Avant d'enlever la bougie, nettoyer l'aire autour de la bougie afin d'éviter que des saletés ou des poussières ne se logent à l'intérieur du moteur.



0.6-0.7 mm  
(0.024-0.028")



Nettoyer la bougie et vérifier l'écartement des électrodes.

### Entretien toutes les 50 heures

#### Toutes les 50 heures d'utilisation

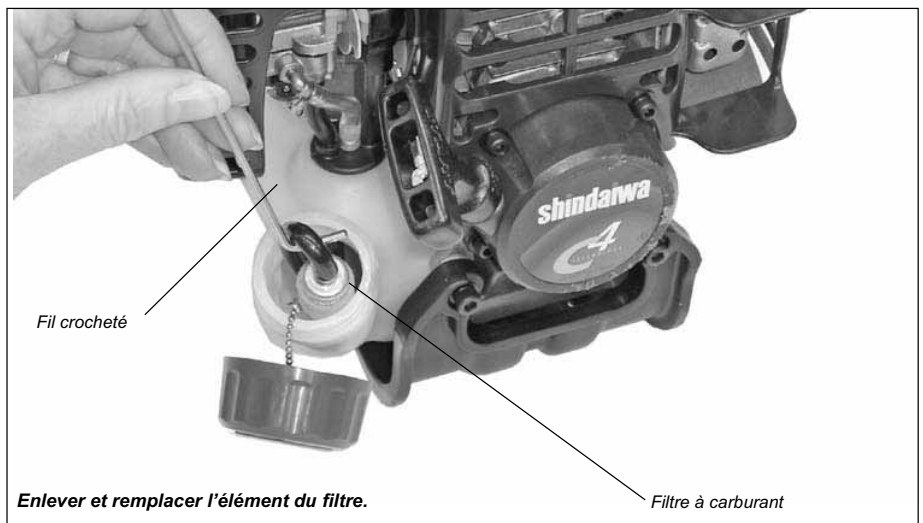
(plus souvent dans des conditions poussiéreuses) :

- Enlever et nettoyer le couvercle du cylindre et enlever les accumulations d'herbe et la saleté logées dans les ailettes du cylindre.

#### Enlever et remplacer l'élément du filtre.

- Utiliser un fil croché pour extraire le filtre à carburant du réservoir à carburant.
- Avant de réinstaller le nouvel élément de filtre, contrôler l'état de tous les composants du système d'alimentation en carburant (conduite d'aspiration du carburant, conduite de retour du carburant, conduite de la mise à l'air libre, bouchon du réservoir et réservoir à carburant).

Si des dommages, des fissures ou d'autres détériorations sont visibles, ne pas utiliser



l'appareil tant qu'il n'a pas été inspecté par un technicien autorisé Shindaiwa.

## Entretien (suite)

### Entretien toutes les 50 heures (suite)

#### Lubrifier l'boîtier d'engrenage

■ Enlever le boulon de l'arbre, le protecteur de boulon, le supports, et le collier de l'arbre de sortie. Insérer de la graisse propre dans le boîtier d'engrenage jusqu'à ce que la graisse souillée soit évacuée. Utiliser seulement de la graisse au lithium comme le lubrifiant pour engrenage Shindaiwa ou un lubrifiant équivalent.

#### Lubrifier l'arbre flexible.

Un manque de lubrification provoquera l'usure rapide de l'arbre flexible et de la gaine intérieure du tube de l'arbre, ce qui augmente les vibrations et réduit fortement la durée de vie de l'appareil. Enlever et lubrifier l'arbre flexible de la manière suivante :

1. Desserrer la vis de serrage du boîtier réducteur.
2. Enlever la vis de centrage du boîtier réducteur.
3. Glisser le boîtier réducteur et le déflecteur hors du tube de l'axe.
4. Extraire l'arbre flexible du tube de l'axe et nettoyer l'arbre abondamment avec du solvant.
5. Inspecter l'arbre soigneusement et le remplacer s'il est usé ou endommagé. Si l'arbre flexible est usé et doit être remplacé, remplacer également la gaine.
6. Enduire l'arbre sur toute la longueur du lubrifiant pour boîtier réducteur Shindaiwa (ou produit équivalent) et réinstaller l'arbre dans le tube de l'axe.

#### REMARQUE :

Pour prolonger la durée de vie du câble flexible, l'inverser « bout pour bout » pendant la réinstallation.

7. Introduire l'arbre flexible dans l'extrémité femelle du pignon du boîtier réducteur.
8. Installer le boîtier réducteur sur le tube de l'axe dans l'ordre inverse de la dépose.

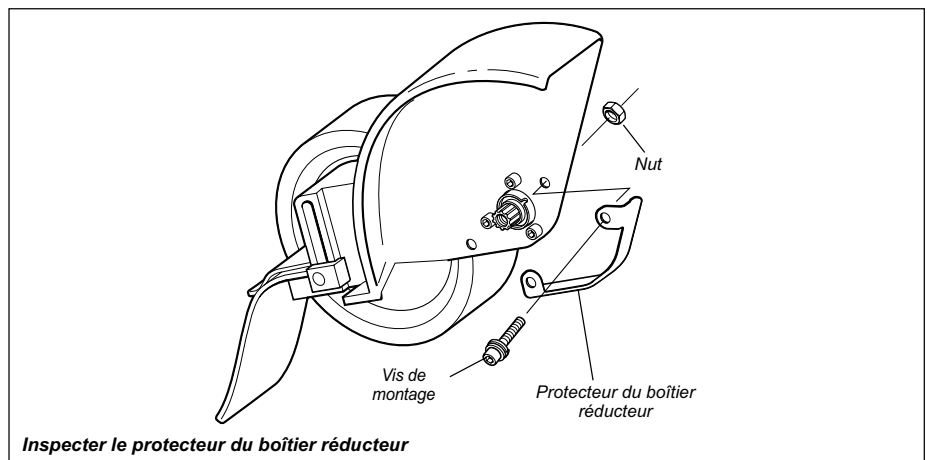
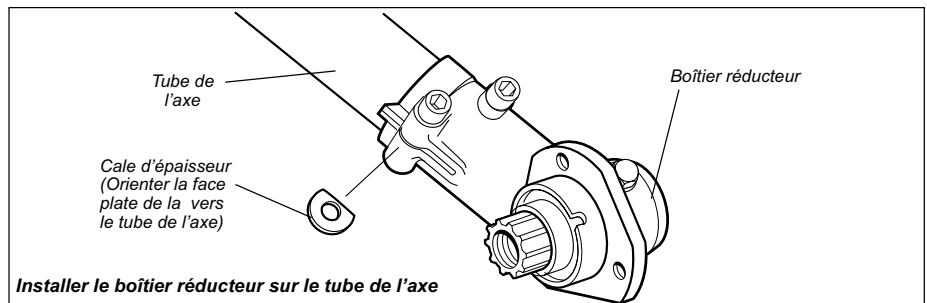
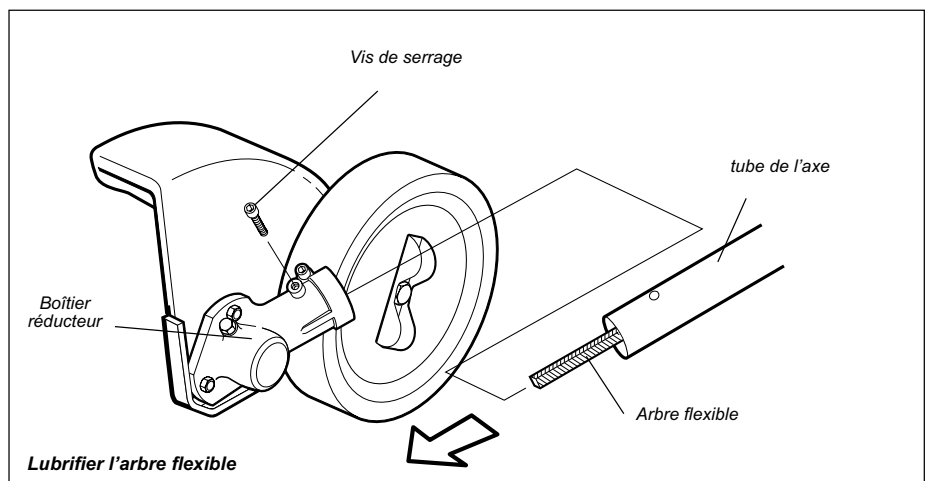
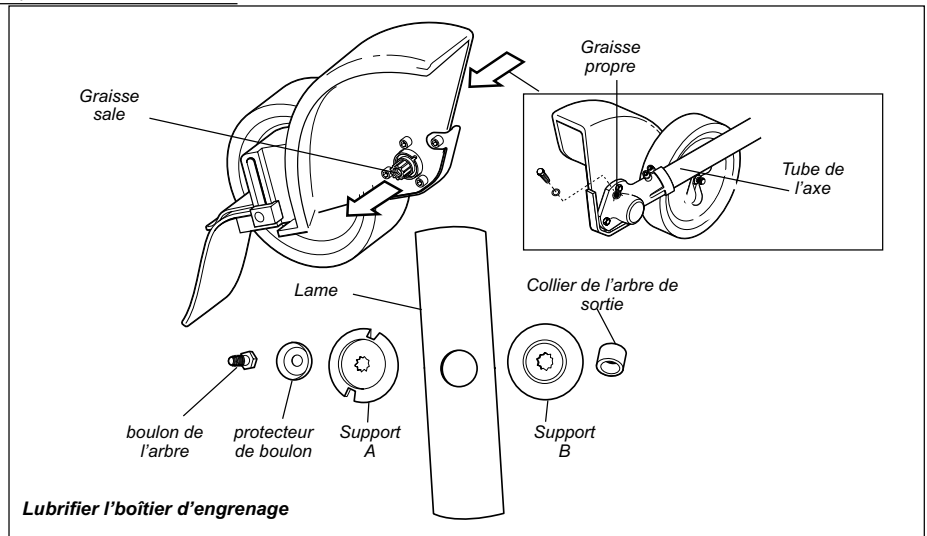
#### MISE EN GARDE !

Orienter la face plate de la cale d'épaisseur vers le tube de l'axe.

#### Inspecter le protecteur du boîtier réducteur

Le protecteur du boîtier réducteur sert à protéger la bride du boîtier réducteur lors d'une utilisation près de trottoirs ou autres surfaces abrasives, et doit être inspecté régulièrement pour vérifier l'absence de dommages ou d'usure excessive.

Lors du remplacement du protecteur, s'assurer que les deux vis de montage sont fermement serrées et que chaque vis est bloquée avec un écrou comme illustré..



## Entretien (suite)

### 139/150-Hour Maintenance

Entretien aux 139 heures, puis toutes les 150 heures ultérieures.

- La chambre de combustion doit être décalaminée et le jeu aux soupapes doit être réglé. Il est fortement recom-

mandé de faire effectuer le réglage par un technicien en réparation formé par Shindaiwa.

- Remplacer la bougie sur une base annuelle : Consulter la section "Caractéristiques techniques" pour le type correct de bougie d'allumage et pour l'écart d'électrode correct..

### Réglage du jeu des soupapes

1. Enlever le couvercle du cylindre, le cache-culbuteur et la bougie. Faire pivoter le vilebrequin tout en observant le piston par l'ouverture de la bougie. Quand le piston est en haut de course de compression (point mort haut), le jeu des soupapes peut être réglé.

#### MISE EN GARDE !

- Un réglage incorrect du jeu des soupapes peut rendre l'appareil difficile à démarrer et/ou risque d'endommager le moteur.
- En l'absence de connaissances sur ce moteur ou en cas d'incapacité d'effectuer cette opération, consulter un revendeur Shindaiwa agréé.



2. Desserrer l'écrou du système de réglage de manière à ce que la vis de réglage à tête creuse hexagonale (Allen) de 2,5 mm puisse tourner librement.
3. Introduire une jauge d'épaisseur de 0,10 mm entre la pointe de la tige de soupape et le cache-culbuteur.
4. Serrer ou desserrer la vis de réglage (sens des aiguilles d'une montre = serrage, sens contraire des aiguilles d'une montre = desserrage) jusqu'à ce que la jauge d'épaisseur soit presque bloquée. Ensuite, serrer ou desserrer la vis de réglage de manière à pouvoir retirer la jauge en ne rencontrant qu'une résistance limitée.
5. Tout en maintenant la vis de réglage en position à l'aide d'une clé Allen, serrer l'écrou à l'aide d'une clé.



6. Faire tourner le moteur manuellement à plusieurs reprises, puis repositionner le piston en compression au point mort haut. Contrôler à nouveau à l'aide d'une jauge d'épaisseur adaptée afin de s'assurer que le réglage du jeu n'a pas été modifié lors du serrage de l'écrou. Régler à nouveau si nécessaire.
7. Reposer le joint du cache-culbuteur afin de garantir une étanchéité parfaite, puis remonter le cache-culbuteur.

#### IMPORTANT !

Si aucun nouveau joint n'est disponible et/ou l'ancien joint n'est pas endommagé, il est possible de réutiliser l'ancien joint. Ne jamais utiliser de joint fissuré ou endommagé !

### Remisage à long terme

Si l'appareil doit être remis plus de 30 jours, procéder comme suit pour le préparer en vue du remisage :

- Nettoyer les pièces externes soigneusement.
- Vider le carburant du carburateur et du réservoir à carburant.

#### IMPORTANT !

Stabiliser le carburant remis à l'aide d'un stabilisateur comme STA-BIL™, si l'huile utilisée ne contient aucun stabilisateur.

- Purger l'excédent de carburant des conduites de carburant et du carburateur.

1. Appuyer sur la pompe d'amorçage jusqu'à ce qu'elle ne fasse plus circuler de carburant.
2. Démarrer et laisser fonctionner le moteur jusqu'à ce qu'il s'arrête de lui-même.
3. Répéter les étapes 1 et 2 jusqu'à ce que le moteur refuse de démarrer.

- Retirer la bougie et verser environ 7 ml d'huile pour moteur à deux temps dans le cylindre, par l'orifice de la bougie. Tirer lentement sur le lanceur à rappel à deux ou trois reprises pour enduire uniformément les parois du cylindre. Réinstaller la bougie.

- Toujours réparer une pièce endommagée ou usée avant le remisage.
- Enlever le filtre à air du carburateur et le nettoyer soigneusement avec de l'eau savonneuse. Laisser sécher avant de réinstaller le filtre à air.
- Remiser l'appareil dans un endroit propre et sans poussière.

#### MISE EN GARDE !

Le carburant laissé dans le carburateur pendant une période prolongée peut nuire au démarrage et accroître les coûts de service et d'entretien.

## Entretien (suite)

### Entretien du pare-étincelles

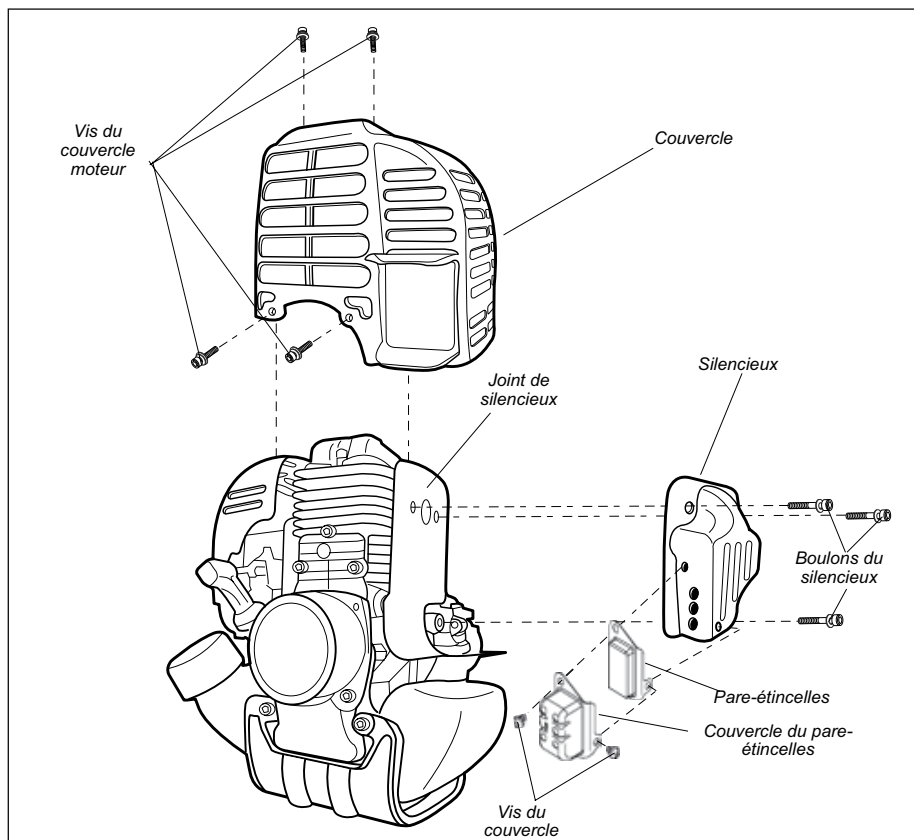
Si le moteur semble devenir peu réactif et manquer de puissance, inspecter et nettoyer le pare-étincelles.



#### AVERTISSEMENT !

Ne jamais faire fonctionner l'appareil sans silencieux ou sans pare-étincelles ou s'ils sont endommagés ! Si le pare-étincelles est endommagé ou absent, il est dangereux d'utiliser l'appareil car il pourrait prendre feu ou causer des troubles auditifs.

1. Avec une clé hexagonale de 3 mm, ôter les 4 vis du couvercle moteur, ainsi que le couvercle moteur..
2. Avec une clé hexagonale de 4 mm, ôter les trois boulons du silencieux, ainsi que le silencieux..
3. Avec un petit tournevis plat, retirer les deux vis maintenant le pare-étincelles et le couvercle sur le silencieux..
4. Avec un petit tournevis plat, retirer les deux vis maintenant le pare-étincelles et le couvercle sur le silencieux.
5. Inspecter l'orifice d'échappement du cylindre afin d'y déceler une éventuelle accumulation de calamine.
6. Réinstaller le pare-étincelles, le silencieux et le couvercle moteur dans l'ordre inverse du démontage.



#### IMPORTANT !

En cas d'accumulation excessive de calamine, consulter un représentant autorisé Shindaiwa.

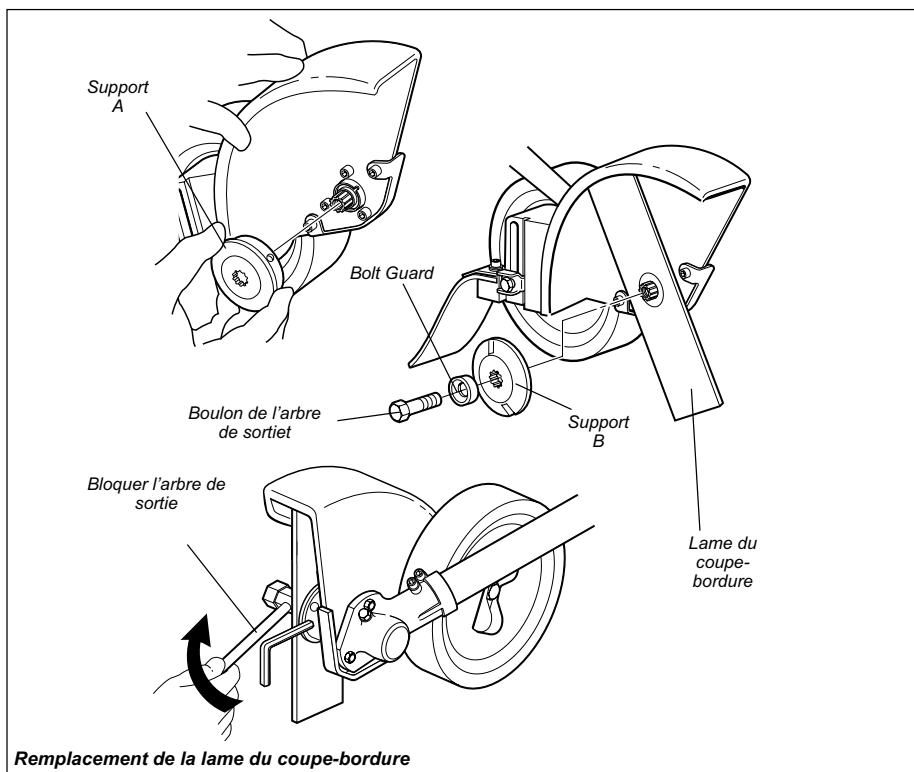
### Remplacement de la lame du coupe-bordure



#### AVERTISSEMENT !

Toujours porter des gants pour manipuler la lame du coupe-bordure.

1. Toujours porter des gants pour manipuler la lame du coupe-bordure.
2. Aligner le trou du A sur le trou du boîtier réducteur correspondant puis utiliser la clé hexagonale pour bloquer temporairement l'arbre de sortie.
3. Utiliser la clé mixte pour desserrer la vis de l'arbre de sortie puis enlever la vis, le support B et la lame du coupe-bordure du boîtier réducteur.
4. Monter la lame du coupe-bordure et le support B sur l'arbre, puis installer le boulon et le protecteur de vis (tourner la vis dans le sens contraire des aiguilles d'une montre pour l'installation).
5. Aligner le trou du support A sur le trou du boîtier réducteur correspondant, puis utiliser la clé hexagonale pour bloquer temporairement l'arbre de sortie.
6. Utiliser la clé mixte pour serrer fermement la vis. Ôter la clé hexagonale.



Remplacement de la lame du coupe-bordure



Points à contrôler	Cause probable	Solution
<p>Le moteur démarre-t-il bien ?</p> <p><b>NON</b> →</p> <p><b>OUI</b> ↓</p>	<p>Lanceur à rappel défectueux.</p> <p>Liquide dans le carter de vilebrequin.</p> <p>Bris interne.</p>	<p>Consulter un représentant autorisé.</p>
<p>Y a-t-il une bonne compression ?</p> <p><b>NON</b> →</p> <p><b>OUI</b> ↓</p>	<p>Bougie desserrée.</p> <p>Usure excessive du cylindre, du piston, des segments.</p>	<p>Serrer et révéifier.</p> <p>Consulter un représentant autorisé.</p>
<p>Le réservoir contient-il de l'essence propre de grade approprié ?</p> <p><b>NON</b> →</p> <p><b>OUI</b> ↓</p>	<p>Essence souillée, éventée ou de mauvaise qualité ; mélange incorrect.</p>	<p>Remplir avec de l'essence sans plomb propre, dont l'indice d'octane à la pompe est égal ou supérieur à 87, mélangée avec de l'huile pour moteur à deux temps de première qualité selon un rapport de 50 :1.</p>
<p>L'essence est-elle visible dans le tuyau de renvoi lors de l'amorçage ?</p> <p><b>NON</b> →</p> <p><b>OUI</b> ↓</p>	<p>Vérifier si le filtre à essence et/ou l'orifice d'aération sont encrassés.</p>	<p>Remplacer le filtre à essence ou le reniflard au besoin. Redémarrer.</p>
<p>Y a-t-il une étincelle à la borne du fil de bougie ?</p> <p><b>NON</b> →</p> <p><b>OUI</b> ↓</p>	<p>Le commutateur se trouve sur la position « Arrêt » (« O »).</p> <p>Mauvaise mise à la masse.</p> <p>Transistor défectueux.</p>	<p>Placer le commutateur en position de marche (« I ») et redémarrer.</p> <p>Consulter un représentant autorisé Shindaiwa.</p>
<p>Vérifier la bougie.</p>	<p>Si la bougie est humide, il y a peut-être un excédent d'essence dans le cylindre.</p> <p>La bougie peut être encrassée ou mal ajustée.</p> <p>La bougie peut être brisée ou de catégorie inappropriée.</p>	<p>Lancer le moteur sans la bougie, remettre la bougie en place et redémarrer.</p> <p>Nettoyer et régler l'écartement de la bougie. Consulter la section " <i>Caractéristiques techniques</i> " pour l'écart d'électrode correct. Redémarrer.</p> <p>Remplacer la bougie. Consulter la section " <i>Caractéristiques techniques</i> " pour le type correct de bougie. Redémarrer.</p>

Points à contrôler	Cause probable	Solution
<p>Le moteur surchauffe-t-il ?</p>	<p>Utilisation abusive de l'appareil. Le mélange du carburateur est trop pauvre. Rapport huile / essence inapproprié.  Ventilateur, boîtier de ventilation, ailettes du cylindre sales ou endommagés.</p>	<p>Ralentir le régime de coupe. Consulter un représentant autorisé.  Remplir avec de l'essence sans plomb propre, dont l'indice d'octane à la pompe est égal ou supérieur à 87, mélangée avec de une huile de première qualité selon un rapport de 50 :1.  Nettoyer, réparer ou remplacer selon le cas.</p>
<p>Le moteur fonctionne de façon brusque à tous les régimes. Présence éventuelle de fumée d'échappement noire et / ou d'essence non brûlée à l'échappement.</p>	<p>Dépôts de calamine dans la chambre de combustion. Filtre à air obstrué. Bougie desserrée ou endommagée.  Fuite d'air ou conduite d'essence obstruée. Eau dans l'essence. Grippage du piston. Carburateur et / ou diaphragme défectueux.</p>	<p>Consulter un représentant autorisé. Nettoyer ou remplacer le filtre à air. Resserrer ou remplacer la bougie. Consulter la section " <i>Caractéristiques techniques</i> " pour le type correct de bougie d'allumage. Redémarrer. Réparer ou remplacer le filtre et/ou la conduite d'essence. Remplir avec un mélange huile/ essence récent. Consulter un représentant autorisé.</p>
<p>Le moteur cogne.</p>	<p>Surchauffe Essence inappropriée.  Dépôts de calamine dans la chambre de combustion.</p>	<p>Voir ci-dessus. Vérifier l'indice d'octane, vérifier si l'essence contient de l'alcool. Remplir selon le besoin. Consulter un représentant autorisé.</p>

Français



Points à contrôler	Cause probable	Solution
Faible accélération.	<ul style="list-style-type: none"> <li>Filtre à air obstrué.</li> <li>Filtre à essence obstrué.</li> <li>Frein de chaîne engagé.</li> <li>Mélange essence/air pauvre.</li> <li>Régime de ralenti trop bas.</li> </ul>	<ul style="list-style-type: none"> <li>Nettoyer ou remplacer le filtre à air.</li> <li>Remplacer le filtre à essence.</li> <li>Inspecter et/ou tester le frein. Consulter un représentant autorisé.</li> <li>Consulter un représentant autorisé.</li> <li>Régler le régime du ralenti aux valeurs inscrites dans la section de Spécifications.</li> </ul>
Le moteur s'arrête brusquement.	<ul style="list-style-type: none"> <li>Commutateur en position d'arrêt.</li> <li>Réservoir à essence vide.</li> <li>Filtre à essence obstrué.</li> <li>Bougie court-circuitée ou mauvaise connexion.</li> <li>Eau dans l'essence.</li> <li>Échec d'allumage.</li> <li>Grippage du piston.</li> </ul>	<ul style="list-style-type: none"> <li>Remettre le contact et redémarrer.</li> <li>Faire le plein. Consulter la section " Remplissage du réservoir de carburant ".</li> <li>Remplacer le filtre à essence.</li> <li>Nettoyer ou remplacer la bougie. Consulter la section " Caractéristiques techniques " pour le type correct de bougie d'allumage. Resserrer la borne.</li> <li>Vidanger le réservoir et faire le plein avec de l'essence propre. Consulter la section " Mélange de carburant "</li> <li>Remplacer le système d'allumage.</li> <li>Consulter un représentant autorisé.</li> </ul>
Moteur difficile à arrêter.	<ul style="list-style-type: none"> <li>Fil de masse (d'arrêt) débranché, ou commutateur défectueux.</li> <li>Bougie inappropriée entraînant une surchauffe.</li> <li>Surchauffe du moteur.</li> </ul>	<ul style="list-style-type: none"> <li>Vérifier et remplacer au besoin.</li> <li>Remplacer la bougie. Consulter la section " Caractéristiques techniques " pour le type correct de bougie d'allumage.</li> <li>Laisser refroidir le moteur en le laissant tourner au ralenti.</li> </ul>
L'accessoire de coupe tourne même si le moteur est au ralenti.	<ul style="list-style-type: none"> <li>Régime de ralenti trop élevé.</li> <li>Ressort d'embrayage défectueux ou moyeu usé.</li> <li>Support de l'accessoire desserré.</li> </ul>	<ul style="list-style-type: none"> <li>Régler le régime du ralenti aux valeurs inscrites dans la section de Spécifications.</li> <li>Remplacer le ressort / les moyeux au besoin et vérifier la vitesse de ralenti.</li> <li>Inspecter et resserrer les vis.</li> </ul>
Vibration excessive.	<ul style="list-style-type: none"> <li>Accessoire de coupe déformé ou endommagé.</li> <li>Boîtier d'engrenages desserré.</li> <li>Axe d'entraînement courbé/bagues usées.</li> <li>Le fil de coupe est incorrectement enroulé autour de la bobine.</li> </ul>	<ul style="list-style-type: none"> <li>Examiner et remplacer l'accessoire de coupe au besoin.</li> <li>Serrer le boîtier réducteur.</li> <li>Inspecter et remplacer, si nécessaire.</li> <li>Rembobiner le fil de coupe.</li> </ul>
L'accessoire de coupe ne tourne pas.	<ul style="list-style-type: none"> <li>L'axe n'est pas installé dans la tête motorisée ou le boîtier réducteur.</li> <li>Axe brisé.</li> <li>Boîtier réducteur endommagé.</li> </ul>	<ul style="list-style-type: none"> <li>Inspecter et réinstaller au besoin.</li> <li>Consulter un représentant autorisé.</li> </ul>

# Déclaration de garantie du dispositif antipollution

## Vos droits et obligations en vertu de la garantie

Le California Air Resources Board, l'Agence de protection de l'environnement des États-Unis (EPA) et Shindaiwa Corporation sont heureux de vous expliquer la garantie du système de contrôle des émissions de gaz d'échappement et d'évaporation sur votre nouveau petit moteur hors route.

En California, les nouveaux moteurs d'utilitaires doivent être conçus, construits et équipés de manière à répondre aux normes antipollution les plus strictes de cet État. Dans les autres États, les moteurs d'utilitaires fabriqués après 1997 doivent être conformes aux normes les plus contraignantes de l'EPA. Shindaiwa Corporation doit garantir le système antipollution de l'outil pour les périodes susmentionnées sauf en cas d'abus, de négligence ou d'entretien inadéquat.

Le système de contrôle des émissions de gaz d'échappement et d'évaporation de votre moteur inclut des pièces telles que le carburateur, le réservoir de carburant, le système d'allumage et, le cas échéant, le pot catalytique. Ces composantes sont énumérées ci-dessous.

Lorsque la garantie s'applique, Shindaiwa Corporation s'engage à réparer l'appareil gratuitement, y compris le coût du diagnostic, des pièces et de la main-d'œuvre.

## Couverture de la garantie des fabricants

La garantie du dispositif antipollution du moteur couvre l'appareil pendant une durée de deux ans à compter de la date de livraison quand il est vendu aux États-Unis. Pendant la période de garantie, Shindaiwa Corporation peut, à sa discrétion, réparer ou remplacer toute composante défectueuse du dispositif antipollution. Pendant la période de garantie originale, les droits sont réputés transférés aux propriétaires subséquents du produit.

## Couverture de la garantie

1. Composantes internes du carburateur.
  - Soupape d'accélérateur, pointeau du jet principal, membrane
2. Réservoir de carburant
3. Composants du système d'allumage
  - Bobine d'allumage
  - Volant
4. Pot catalytique (si présent à l'origine)

Le dispositif antipollution de votre appareil Shindaiwa peut également comprendre certains tubes et connecteurs.

## Responsabilités du propriétaire à l'égard de la garantie

En tant que propriétaire de l'appareil, vous êtes responsables d'effectuer l'entretien requis dans le manuel d'utilisation. Shindaiwa Corporation recommande de conserver tous les reçus d'entretien de l'appareil ; toutefois, Shindaiwa Corporation ne peut refuser une réclamation au titre de la garantie par défaut de soumettre les reçus d'entretien ou d'avoir effectué les entretiens recommandés. Shindaiwa Corporation se réserve le droit de refuser toute réclamation au titre de la garantie si l'appareil ou une pièce a fait défaut en raison d'abus, de négligence, d'entretien inadéquat ou de modifications non approuvées. Le propriétaire de l'appareil est responsable de consulter un technicien agréé de Shindaiwa Corporation en cas de problème. Les travaux au titre de la garantie doivent être terminés dans un délai raisonnable qui ne dépasse pas 30 jours.

Pour toute question sur vos droits et obligations au titre de la garantie, contactez un représentant du service à la clientèle Shindaiwa au numéro suivant : (503) 692-3070 ou le distributeur Shindaiwa de votre localité.

## Domages indirects

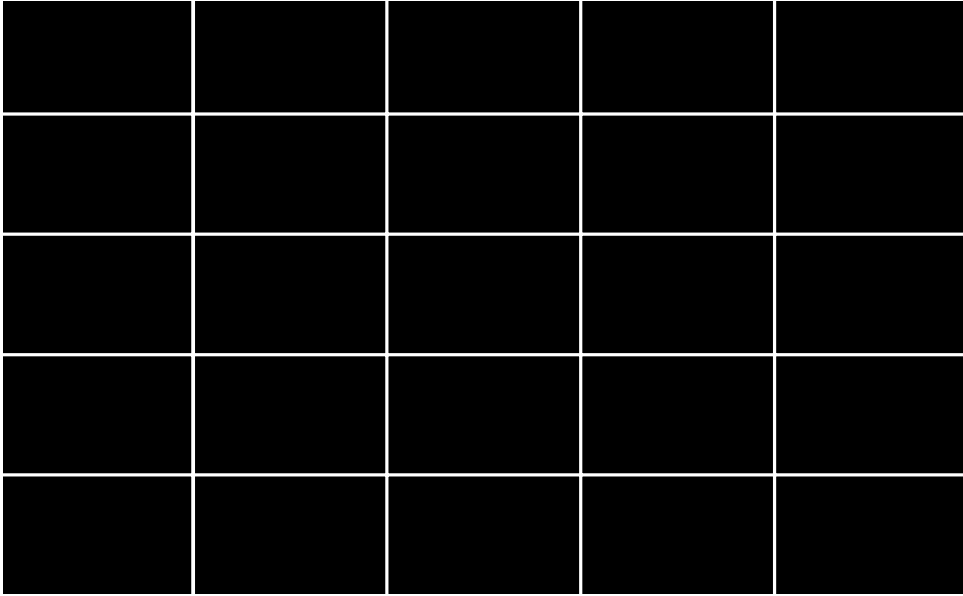
Dans l'éventualité où d'autres composantes du produit seraient endommagées en raison d'une défaillance d'une pièce couverte par la garantie, Shindaiwa Corporation réparera ou remplacera lesdites composantes gratuitement.

## Exclusions

5. Défaillances attribuables à de l'abus, de la négligence ou un entretien inadéquat.
6. Défaillances causées par l'utilisation de pièces ou d'accessoires modifiés ou non approuvés.

## La présente garantie est administrée par

Shindaiwa Inc.  
11975 S.W. Herman Rd.  
Tualatin, OR 97062  
États-Unis  
(503) 692-3164



**shindaiwa®**

Shindaiwa Inc.  
11975 S.W. Herman Rd.  
Tualatin, Oregon 97062  
Telephone: 503 692-3070  
Fax:503 692-6696  
[www.shindaiwa.com](http://www.shindaiwa.com)

Shindaiwa Corporation  
Head Office: 6-2-11 Ozuka  
Nishi, Asaminami-Ku  
Hiroshima, 731-3167, Japan  
Telephone: 81-82-849-2220  
Fax:81-82-849-2481

©2009 Shindaiwa, Inc.

Shindaiwa is a registered trademark of Shindaiwa, Inc.  
Specifications subject to change without notice.

## Free Manuals Download Website

<http://myh66.com>

<http://usermanuals.us>

<http://www.somanuals.com>

<http://www.4manuals.cc>

<http://www.manual-lib.com>

<http://www.404manual.com>

<http://www.luxmanual.com>

<http://aubethermostatmanual.com>

Golf course search by state

<http://golfingnear.com>

Email search by domain

<http://emailbydomain.com>

Auto manuals search

<http://auto.somanuals.com>

TV manuals search

<http://tv.somanuals.com>