

shindaiwa®

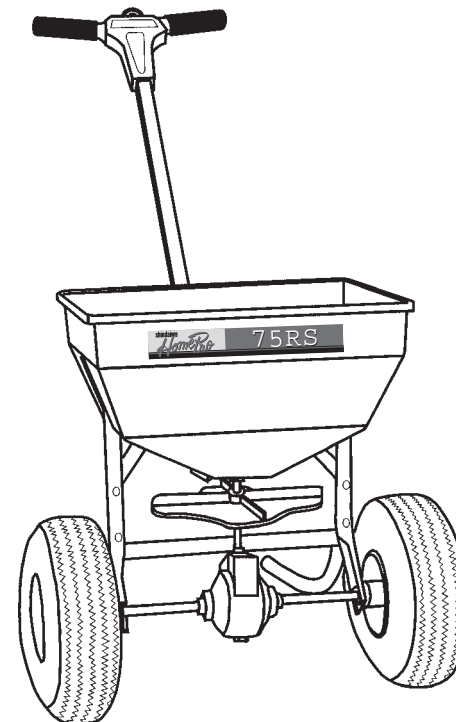
Shindaiwa Inc.
P.O. Box 2810
Tualatin, Oregon 97062
Telephone 503 692-3070
FAX 503 692-6696
www.shindaiwa.com

©2001 Shindaiwa Inc.
Part Number 80045
Printed in U.S.A.

Shindaiwa is a registered trademark
of Shindaiwa, Inc.

**SHINDAIWA OWNER'S/
OPERATOR'S MANUAL**

75RS BROADCAST SPREADER



shindaiwa

Part Number 80045

Contents

	PAGE
Introduction	1
Assembly	2
Operation	4
Settings	6
Rate Conversion	7
Maintenance	8
Fasteners	9
Illustrated Parts List	10
Warranty Statement	11

Introduction

The information contained in this manual describes machines available at the time of production. While every attempt has been made to provide the very latest information about the 75RS, there may be some differences between your spreader and what is described here. Shindaiwa Inc. reserves the right to make changes in production without prior notice, and without obligation to make alterations to spreaders previously manufactured.

If you have any questions regarding your 75RS Spreader, or if you do not understand something in this manual, your Shindaiwa dealer will be glad to assist you. For additional information, you may contact Shindaiwa Inc. at the address printed on the back of this manual.

Prior to Assembly

IMPORTANT!

The terms “left,” “left-hand,” and “LH”; “right,” “right-hand,” and “RH”; “front” and “rear” refer to directions as viewed by the operator during normal operation of the spreader.

Before assembling the spreader, make sure you have all required components. See pages 9 and 10.

- Hopper assembly
- Drive wheel
- Free wheel
- Frame, axle and gearbox assy.
- Handle tube
- T-handle assembly
- Handle braces (2)
- Control rod and wire assembly
- Hardware bag (see page 9 for contents)
- This manual, part number 80045

Carefully inspect all components for damage.

75RS Specifications

Dimensions	
Overall height	22" (55.9 cm)
Wheel track width	22" (55.9 cm)
Handle length	31" (78.7 cm)
Dry weight	18.3 lbs. (8.3 kg)
Hopper capacity 1.3 cubic feet (36.8 liters)
Tires	10" (254 mm) dia., pneumatic
Axle bearing	Nylon
Frame	7/8" (22.2 mm) (welded steel tube)

Assembly

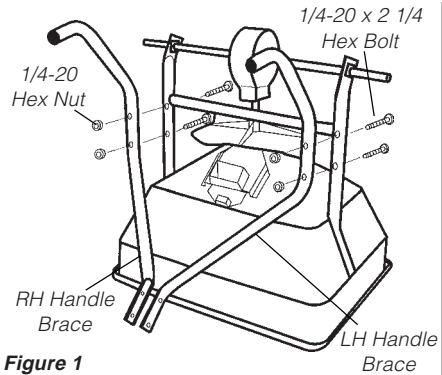


Figure 1

1. Remove the spreader and components from the carton and place the spreader upside down on a padded surface. Install the LH & RH handle braces to frame using four 1/4-20 x 2 1/4" hex bolts and nuts. Do not tighten at this time. See Figure 1.

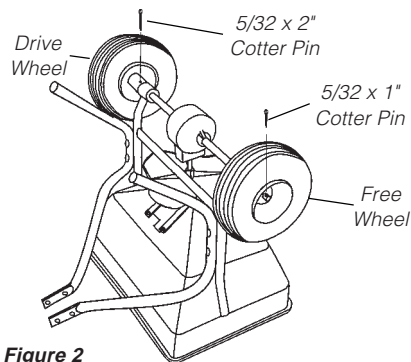


Figure 2

2. Install drive wheel onto the right-hand end of the axle as viewed from the operating position. (You can identify the drive wheel by the cotter pin hole drilled in the hub). The hub must face towards frame. Align the hole in the drive wheel hub and the hole in the axle. Secure drive wheel to axle with the 5/32" x 2" cotter pin. Install the free wheel on the opposite end of the axle. Insert the 5/32" x 1" cotter pin to retain the free wheel. See Figure 2.

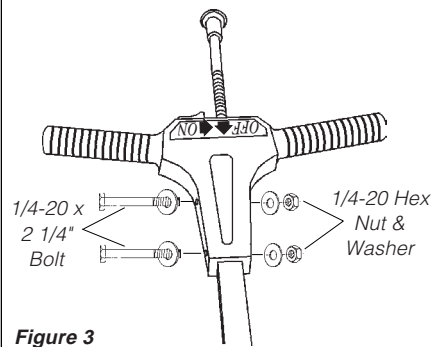


Figure 3

3. Feed control knob/wire through the T-handle until the caution label touches the round hole. See Figure 3.

DO NOT COMPRESS THE SPRING AT THIS TIME.

Feed the T-handle/control wire assembly through the square handle tube towards the locator dot. See Figure 4. Secure the T-handle to the tube with (2) 1/4-20 x 2 1/4" bolts, (4) flat washers, and (2) hex nuts. See Figure 3.

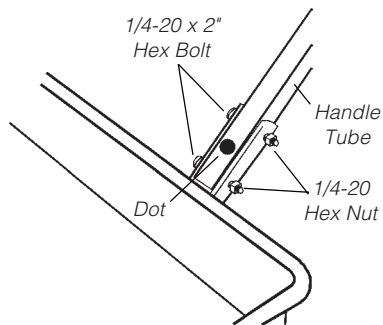


Figure 4

4. Turn the spreader upright and install the handle tube with the dot between the handle braces as shown. Install (2) 1/4 x 1 1/2" hex bolts and nuts. See Figure 4.

The feed control wire must be positioned above the handle brace bolts to operate properly. Securely tighten all nuts and bolts installed in previous steps.

Shindaiwa Limited Warranty

Shindaiwa Inc. manufactures its products to superior quality standards to afford our customers the highest level of satisfaction. In keeping with this goal, Shindaiwa Inc. warrants this HomePro™ 75RS Spreader to the original purchaser as follows:

Warranty Period

- 1 year for Personal/Consumer use.
- 180 days for Commercial/Institutional use.
- 90 days for rental use.

Warranty Administration

Within the covered warranty period, Shindaiwa Inc. will, at their option, repair or replace any defect in material or workmanship, without charge for parts or labor, if this product is presented at an authorized Shindaiwa dealer.

Warranty Exclusions and Limitations

Shindaiwa Inc. assumes no responsibility for damages, loss, or injury resulting from:

- Normal wear and tear.
- Misuse or neglect.
- Modification to or removal of original component parts.

This warranty is limited to the terms

stated herein. Shindaiwa Inc. disclaims all liability for incidental or consequential damages. Some states do not allow the exclusion of incidental or consequential damages, so these limitations may not apply to you.

This warranty gives you specific legal rights, and you may also have other rights which may vary from state to state.

Shindaiwa Inc. reserves the right to change the design or specifications of this product without obligation to modify previously manufactured products.

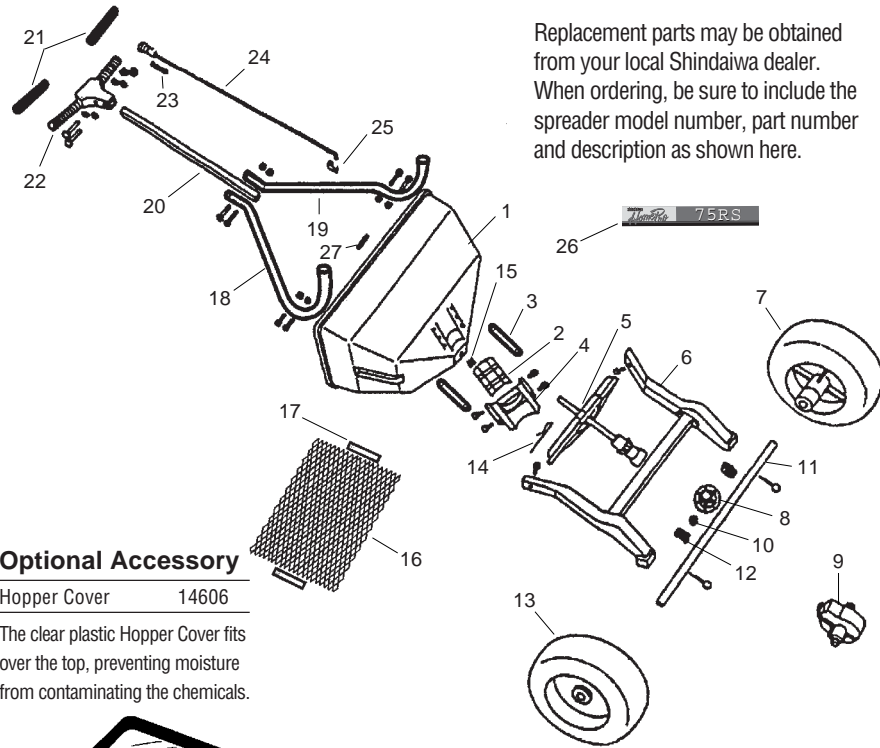
Owner's Responsibilities.

The owner of this product shall demonstrate reasonable care in the use, maintenance, and storage of this Shindaiwa product. If a warrantable failure should occur, the owner shall deliver the product to an authorized Shindaiwa servicing dealer for correction.

To obtain warranty service, proof of purchase must be presented to the authorized Shindaiwa servicing dealer when the product is presented for repairs.

Proof of purchase must include date of purchase and the name and address of the selling dealer.

Parts

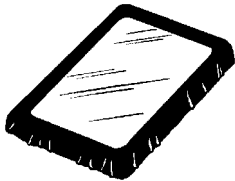


Replacement parts may be obtained from your local Shindaiwa dealer. When ordering, be sure to include the spreader model number, part number and description as shown here.

Optional Accessory

Hopper Cover 14606

The clear plastic Hopper Cover fits over the top, preventing moisture from contaminating the chemicals.



Key No.	Description	Part No.	Key No.	Description	Part No.
	Hopper Assy.	15269-1	14	Agitator	14510
1	Hopper*	15270	15	Impeller Shaft Bearing*	14312-1
2	Shutoff Plate*	14454-1	16	Hopper Screen	14603
3	Shutoff Plate Guide (2)*	15272	17	Screen Clip (2)	14022
4	Rate Cam & Chute Assy.*	14455-1	18	Handle Brace w/Plug-L.H.	15258-1
5	Impeller Assy.	15263	19	Handle Brace w/Plug-R.H.	15261-1
6	Frame Assy.	15262-1	20	Handle Tube	15283-1
7	Drive Wheel w/tire	14939-1	21	Handle Grip (2)	15264
8	Axle Gear	13360	22	T-Handle Assy.	13634-2
9	Gear Cover Assy.	14629	23	Control Knob Spring	14462
10	Axle Collar	13362	24	Control Knob & Wire Assy.	13640-2
11	Axle	15276	25	Wire Retaining Clip	13643-1
12	Axle Bushing (2)	14951	26	Hopper Label*	15275
13	Free Wheel w/tire	14940-1	27	Hopper Plug	15271

*Items included in the Hopper assy.

Assembly, continued

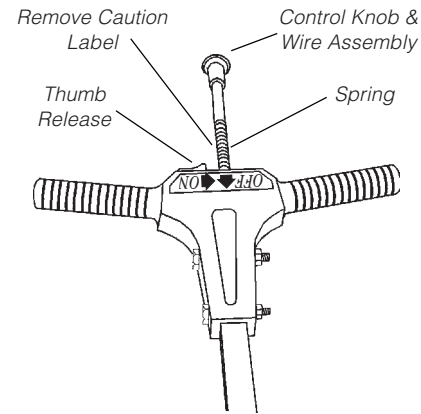


Figure 5

- Remove the caution label, push the thumb release toward the center and push the control knob and spring down until the knob latches. See Figure 5.

Caution!

Once the knob is latched, do not move the thumb release until you have completed step 8!

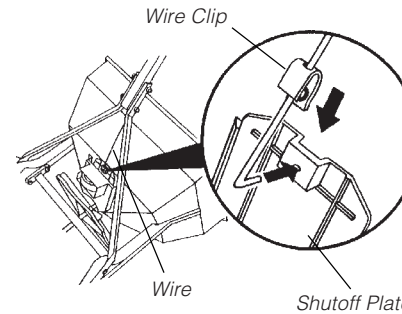


Figure 6

- Slide the wire retaining clip onto the wire. Insert the control wire through the hole in the shutoff plate, then slide the clip over the shutoff plate until the clip locks into place. See Figure 6.

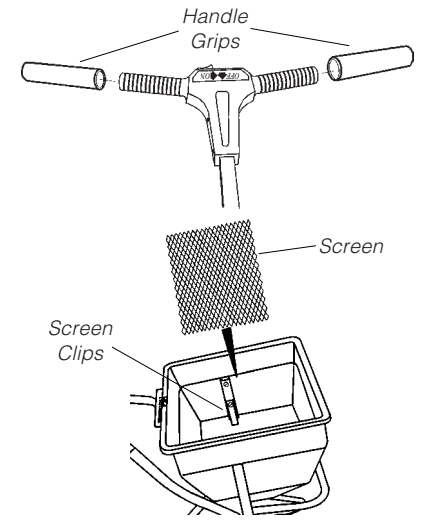


Figure 7

- Install handle grips onto the handle. It is not necessary to use lubricants to do so. Insert screen into hopper by sliding it under the screen clips. See Figure 7.

The 75RS spreader should now be completely assembled and ready for use.

Operation

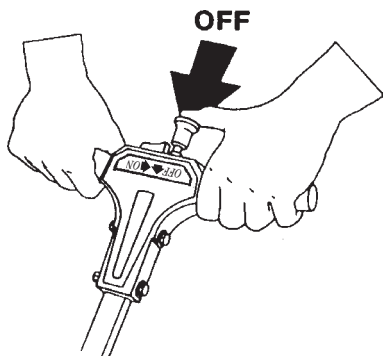


Figure 8

1. Place the spreader on a driveway or sidewalk – not on the lawn. Make sure the spreader is off by pushing the control knob in. See Figure 8.
2. Determine the recommended application and spreader settings of the material to be applied (check the product container).

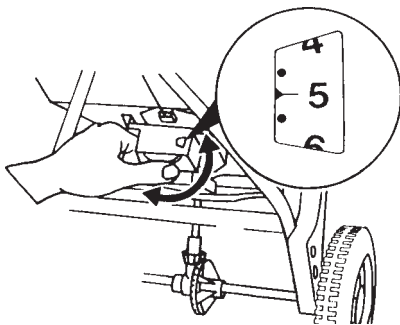


Figure 9

3. Rotate the rate cam to the proper setting. See Figure 9.
4. Fill the hopper with the product to be spread.

IMPORTANT!

Always begin moving the spreader before you open the control by pushing the thumb release to the ON position, and push the control knob in to CLOSE before stopping.

CAUTION!

During operation, always push the spreader; **never pull!**

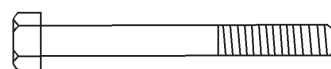
5. Hold the handle so the top of the hopper is level. Start the spreader moving, then push the thumb release to the ON position and begin applying the material. Avoid tipping the spreader; doing so can cause an uneven application.

IMPORTANT!

The settings and swath widths are recommended starting points. Always check the delivery rate and pattern on a small area before treating a large area. Actual delivery rate can vary due to weather conditions, walking speeds, and the condition of the product being applied. See pages 6-7 for details.

Fasteners

The Fastener Bag contains these fasteners. Most are all common parts; replacements are available at local hardware outlets.



1/4-20 x 2 1/4 Hex Bolt
(6 Req.)



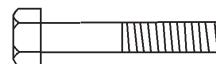
1/4" Flat Washer
(4 Req.)



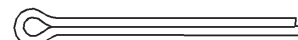
1/4"-20 Nut
(8 Req.)



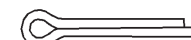
Wire Attachment
Clip (1 Req.)



1/4-20 x 1 1/2" Hex Bolt
(2 Req.)



5/32 x 2" Cotter Pin
(1 Req.)



1/8 x 1" Cotter Pin
(1 Req.)

Maintenance

- Never store unused material in the spreader. Return unused material to its original container.
- Wash the spreader thoroughly after each use. See Figure 12. Remove the gear cover and wash the gears thoroughly. Then dry completely in the sun or a heated area.
- **Lubrication**
 - a. Lubricate the face of the gear teeth with dry graphite. Reinstall the gear cover.
 - b. Lightly oil the axle bearings in the frame. See Figure 13.
 - c. Apply oil to the impeller shaft bearing in the hopper, pivot points on the shut-off plate, and the spring in the housing behind the control plate. See Figure 13.
- Gear mesh should be checked regularly, especially during high-use periods. The clearance between the axle gear and the pinion gear should be very close, but not tight. If adjustment is required:
 - a. Loosen the axle collar set screw and hold the gears together.
 - b. Hold the axle gear lightly against the gear support and tighten the axle collar set screw.
 - c. Spin the drive wheel to make sure the gears run freely and smoothly. See Figure 14.
- Periodically clean the surface of the impeller to remove buildup of material. A buildup could cause the spread pattern to change.
- Maintain tire pressure at 20–25 psi.

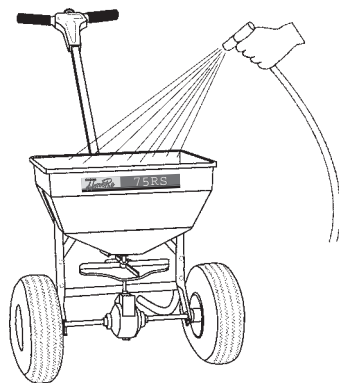


Figure 12

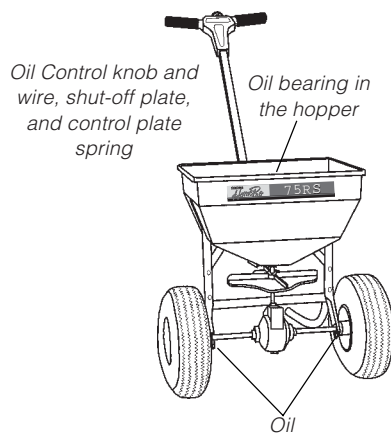


Figure 13

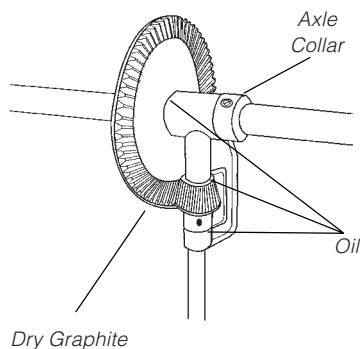


Figure 14

Operation

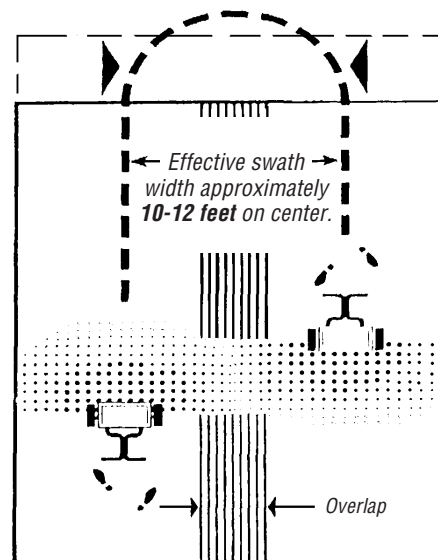


Figure 10

6. Where appropriate, apply header strips around the area to be treated, then push the spreader at a walking speed about 2 1/2 mph (18 feet in five seconds). To decrease the spread width in confined areas, reduce walking speed. Space your trips across the area as shown in Figure 10.
7. When transporting the spreader, make sure the control knob is pushed in and locked.
8. Empty the spreader after each use, and return leftover material to its original container.

Spreader Settings

When determining correct spreader settings, consider:

- **Effective Pattern Width:** The actual width in which the material is applied. Label instructions and settings are useful guides, but only an actual test can provide a reliable and accurate pattern width.
- **Application Rate:** The amount of material applied per 1000 square feet (before you can determine application rate, you must know the effective pattern width).

Effective Pattern Width

You can make a simple visual pattern test by operating the spreader over a non-turf area and evaluating the pattern.

A more accurate method is to place a row of disposable aluminum cake pans about 1 foot apart on centers as shown in Figure 11. Set the rate control at the middle setting (see Operation, Step 3, Figure 11.) and make three or four passes in the same direction. See Figure 11.

Pour the material collected in each cake pan into individual bottles or jars of the same size, then set them side by side in the order they were collected and inspect the containers.

The Effective Pattern Width is the distance out from the spreader to a point where the amount of material is 1/2 the amount in the center pans.

Application Rate

Calculate application rate as follows:

1. Determine the Effective Pattern Width (see the previous page).

For example:

- Effective Pattern Width is determined to be 10 feet.
2. Determine the coverage requirement of the material to be spread in pounds per 100 square feet. This can be calculated as follows:

- a. Divide the weight of a container of material by the recommended square-foot coverage.
- b. Multiply the result by 100 (add two zeros).

For example:

■ According to the label on the container, 25 pounds of material will cover 5000 square feet.

■ Calculate average coverage requirement—

$$25 \text{ lbs} \div 5000 = 000.5 \times 100 = 0.5 \text{ pounds per 100 square feet}$$

3. Measure out an area of 100 square feet (10 by 10 feet).

Weigh out 15 to 20 pounds of material and spread it over the measured 100 square-foot area, applying in 10-foot swaths (10-foot Effective Pattern Width). Weigh the material remaining in the hopper and adjust the discharge chute as required.

Repeat the test until the application rate is correct.

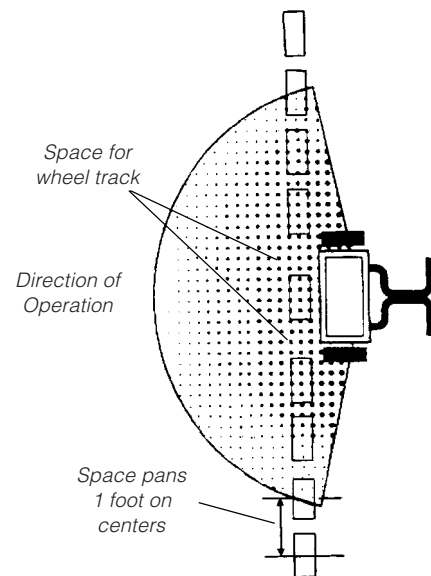


Figure 11

Rate Setting Conversion

The following is a comparison of the settings of a Shindaiwa 75RS with the equivalent approximate settings of other spreaders.

Shindaiwa 75RS	2	3	4	5	6	7	8	9	10	11	12	13	14	15	16	17	18
Scotts Speedy Green	-	-	2	-	3	-	4	-	5	-	6	-	7	-	8	-	-
PrizeLAWN BF-1/CBR III	G	H	J	K	M	N	N1/2	O	P1/2	Q	R	S	T	U	V	X	Z
Lesco Hi-Wheel	E	F	G	H	I	J	K	L	-	-	M	N	O	-	P	R	S
Scotts R8A/SR1/AP	I	J	L	M	O	P	-	Q	-	S	T	U	-	V	W	X	Z

Fertilizer Particle Size	Bag Rate pounds of material used per 1000 sq.ft. of coverage	Approximate Setting	Spread Width (feet)
LARGE, HEAVY PARTICLES	5	6	12
	10	9	12
	15	11	12
MEDIUM, MIXED PARTICLES	5	5	10
	10	7	10
	15	9	10
SMALL PARTICLES (NITROGEN)	1	2	10
	2	4	10
	3	5	10
MIXED-SIZE PARTICLES, SOME FINES	5	6	8
	10	9	8
	15	11	8
LIGHT WEIGHT PARTICLES	5	4	6
	10	5	to
	15	6	8

This charts provides approximate settings of a Shindaiwa 75RS when only the product weight, area coverage, or inspection of the material is available.

Conversions should only be used as guidelines for establishing rate settings. To obtain the most accurate application rate, follow the procedures described in the Effective Pattern Width and Application Rate sections.

The settings shown here are only approximations and will vary with walking speed, turf condition, humidity, etc. Warranties and guarantees of actual coverage or uniformity are neither expressed nor implied.

Free Manuals Download Website

<http://myh66.com>

<http://usermanuals.us>

<http://www.somanuals.com>

<http://www.4manuals.cc>

<http://www.manual-lib.com>

<http://www.404manual.com>

<http://www.luxmanual.com>

<http://aubethermostatmanual.com>

Golf course search by state

<http://golfingnear.com>

Email search by domain

<http://emailbydomain.com>

Auto manuals search

<http://auto.somanuals.com>

TV manuals search

<http://tv.somanuals.com>