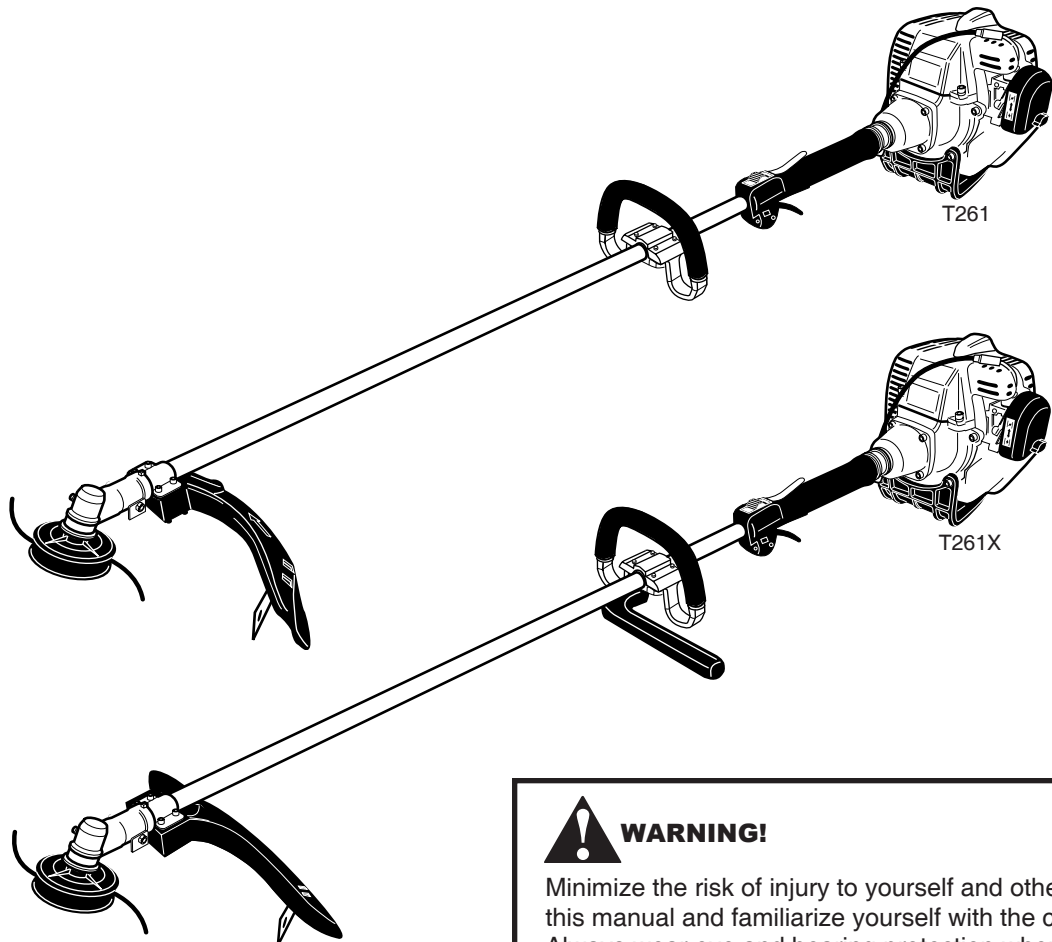


SHINDAIWA OWNER'S/OPERATOR'S MANUAL

T261/EVC TRIMMER T261X/EVC TRIMMER



WARNING!

Minimize the risk of injury to yourself and others! Read this manual and familiarize yourself with the contents. Always wear eye and hearing protection when operating this unit.

shindaiwa

Part Number 81605 Rev. 11/06

Introduction

The Shindaiwa T261 Series hand held power equipment has been designed and built to deliver superior performance and reliability without compromise to quality, comfort, safety or durability.

Shindaiwa engines represent the leading edge of high-performance engine technology, delivering exceptionally high power with remarkably low displacement and weight. As an owner/operator, you'll soon discover for yourself why Shindaiwa is simply in a class by itself!

IMPORTANT!

The information contained in this owner's/operator's manual describes units available at the time of publication.

Shindaiwa Inc. reserves the right to make changes to products without prior notice, and without obligation to make alterations to units previously manufactured.



WARNING!

The engine exhaust from this product contains chemicals known to the State of California to cause cancer, birth defects or other reproductive harm.

Contents

PAGE

Attention Statements	2
General Safety Instructions	3
Safety Labels.....	4
Product Description.....	5
Specifications.....	5
Assembly and Adjustments.....	6
Fuel.....	9
Starting the Engine.....	9
Stopping the Engine	10
Adjusting Engine Idle	10
Checking Unit Condition.....	11
Shoulder Strap.....	11
Cutting Grass.....	11
Using a Blade (T261X)	12
Maintenance	13
Long Term Storage	15
Troubleshooting Guide	16
Emission System Warranty.....	19

Attention Statements

Throughout this manual are special "attention statements".



WARNING!

A statement preceded by the triangular attention symbol and the word "WARNING" contains information that should be acted upon to prevent serious bodily injury.

CAUTION!

A statement preceded by the word "CAUTION" contains information that should be acted upon to prevent mechanical damage.

IMPORTANT!

A statement preceded by the word "IMPORTANT" is one that possesses special significance.

NOTE:

A statement preceded by the word "NOTE" contains information that is handy to know and may make your job easier.



Read and follow this operators manual. Failure to do so could result in serious injury.



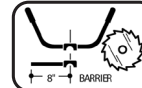
Wear eye and hearing protection at all times during the operation of this unit.



Keep bystanders at least 50 feet (15 m) away during operation.



Beware of thrown or ricocheted objects.



Do not operate this unit with a blade unless the unit is equipped with a Shindaiwa-approved handlebar or barrier.



Always wear a harness when operating this unit with a blade. A harness is also recommended when using trimmer line.



If unit is used as a brushcutter, beware of blade thrust. A jammed blade can cause the unit to jerk suddenly and may cause the operator to lose control of the unit.

IMPORTANT!

The operational procedures described in this manual are intended to help you get the most from this unit as well as to protect you and others from harm. These procedures are guidelines for safe operation under most conditions, and are not intended to replace any safety rules and/or laws that may be in force in your area. If you have questions regarding your T261 series hand held power equipment, or if you do not understand something in this manual, your Shindaiwa dealer will be glad to assist you. You may also contact Shindaiwa, Inc. at the address printed on the back of this Manual.

General Safety Instructions

Work Safely

Shindaiwa trimmers operate at very high speeds and can do serious damage or injury if they are misused or abused. *Never allow a person without training or instruction to operate this unit!*



WARNING!

Never make unauthorized attachment installations. Do not use attachments not approved by Shindaiwa for use on this unit.

Stay Alert

You must be physically and mentally fit to operate this unit safely.



WARNING!



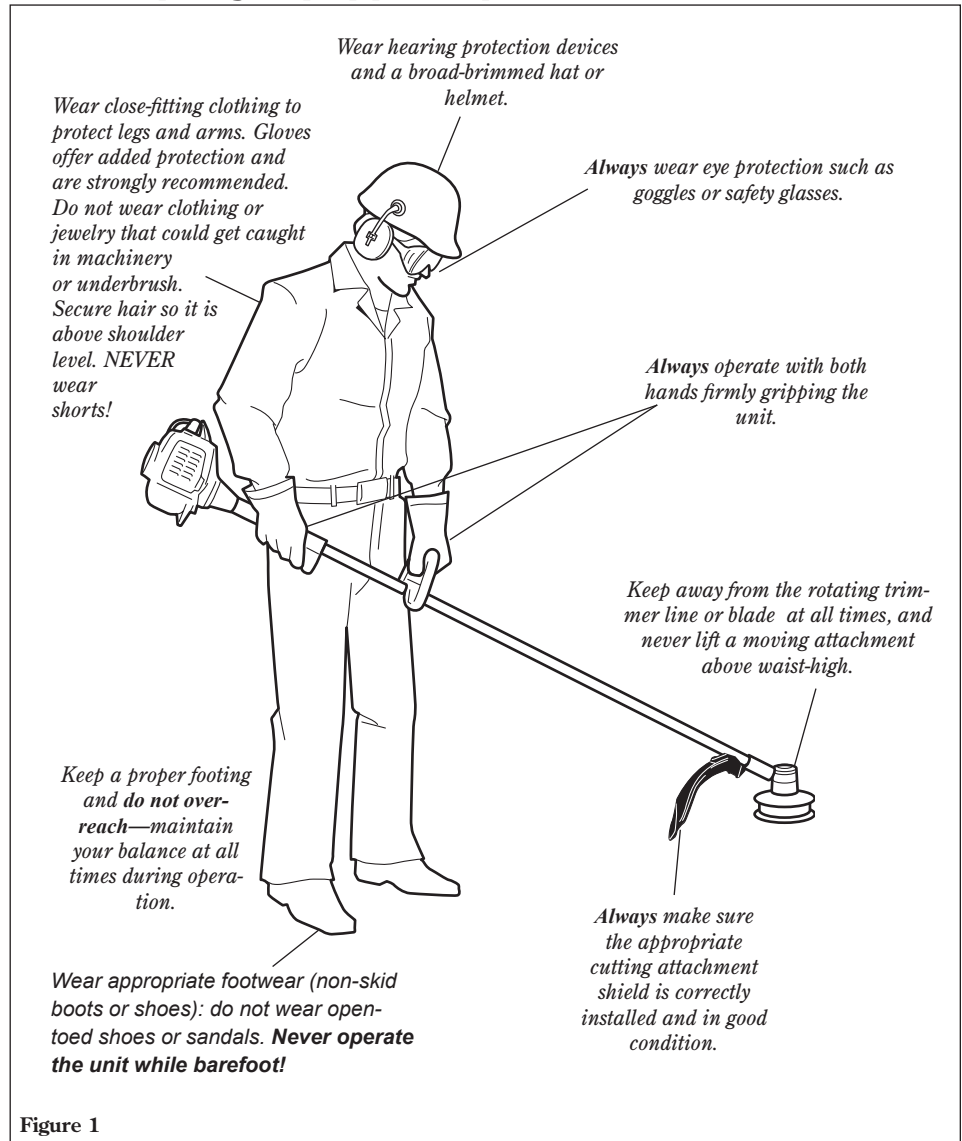
Never operate power equipment of any kind if you are tired or if you are under the influence of alcohol, drugs, medication or any other substance that could affect your ability or judgement.



WARNING! Minimize the Risk of Fire

- **NEVER** smoke or light fires near the engine.
- **ALWAYS** stop the engine and allow it to cool before refueling. Avoid overfilling and wipe off any fuel that may have spilled.
- **ALWAYS** inspect the unit for fuel leaks before each use. During each refill, check that no fuel leaks from around the fuel cap and/or fuel tank. If fuel leaks are evident, stop using the unit immediately. Fuel leaks must be repaired before using the unit.
- **ALWAYS** move the unit to a place well away from a fuel storage area or other readily flammable materials before starting the engine.
- **NEVER** place flammable material close to the engine muffler.
- **NEVER** operate the engine without the spark arrester screen in place.

The Properly Equipped Operator



WARNING! Use Good Judgment

- **ALWAYS** wear eye protection to shield against thrown objects.
- **NEVER** operate the engine when transporting the unit.
- **NEVER** operate the engine indoors! Make sure there is always good ventilation. Fumes from engine exhaust can cause serious injury or death.
- **ALWAYS** clear your work area of trash or hidden debris that could be thrown back at you or toward a bystander.
- **ALWAYS** use the proper cutting tool for the job.
- **ALWAYS** stop the engine immediately if it suddenly begins to vibrate or shake. Inspect for broken, missing or improperly installed parts or attachments.
- **NEVER** extend trimming line beyond the length specified for your unit.
- **ALWAYS** keep the unit as clean as practical. Keep it free of loose vegetation, mud, etc.
- **ALWAYS** hold the unit firmly with both hands when cutting or trimming, and maintain control at all times.
- **ALWAYS** keep the handles clean.
- **ALWAYS** disconnect the spark plug wire before performing any maintenance work.
- **ALWAYS**, if a saw blade should bind fast in a cut, shut off the engine immediately. Push the branch or tree to ease the bind and free the blade.

Be Aware of the Working Environment

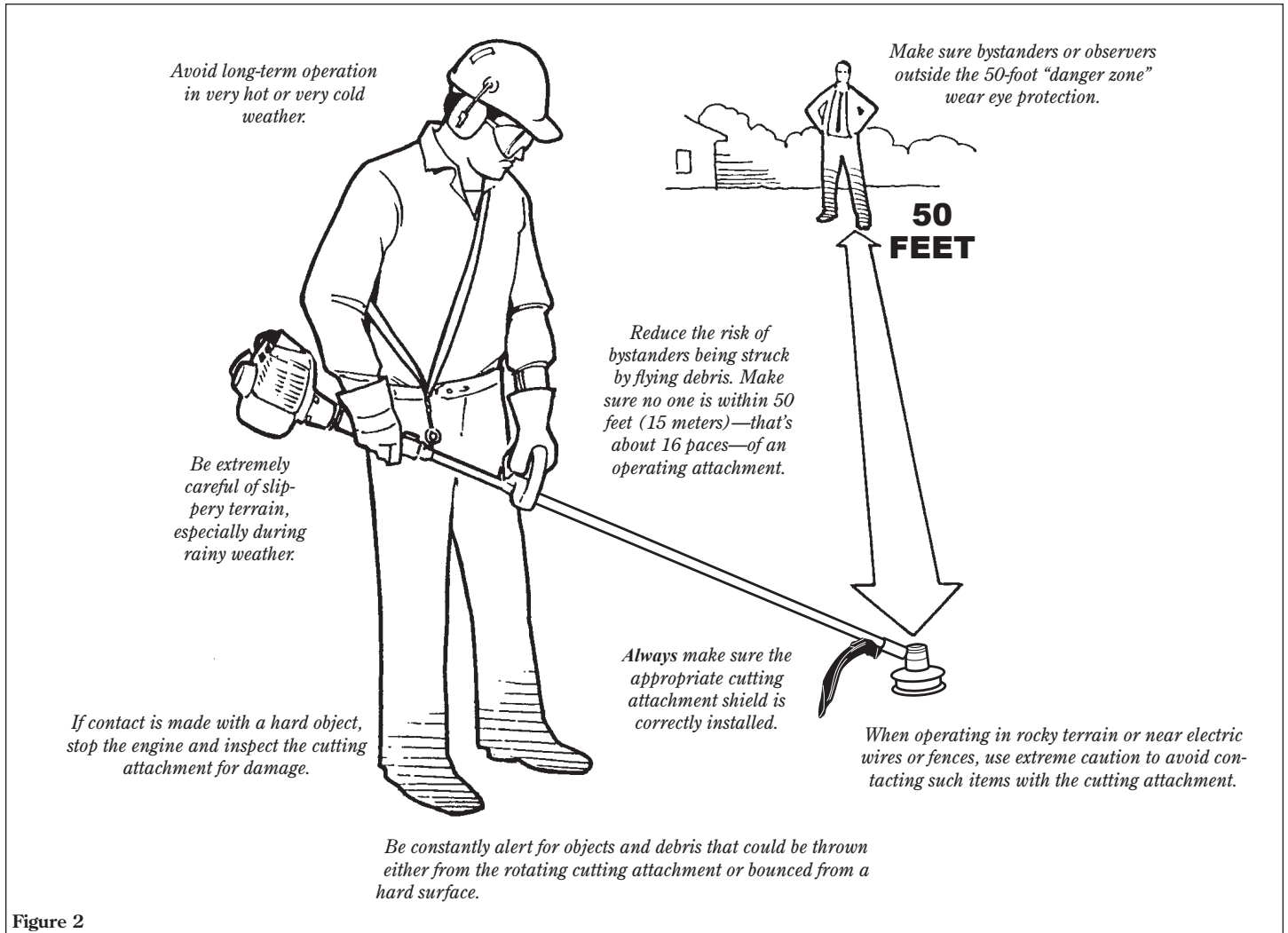


Figure 2

Safety Labels

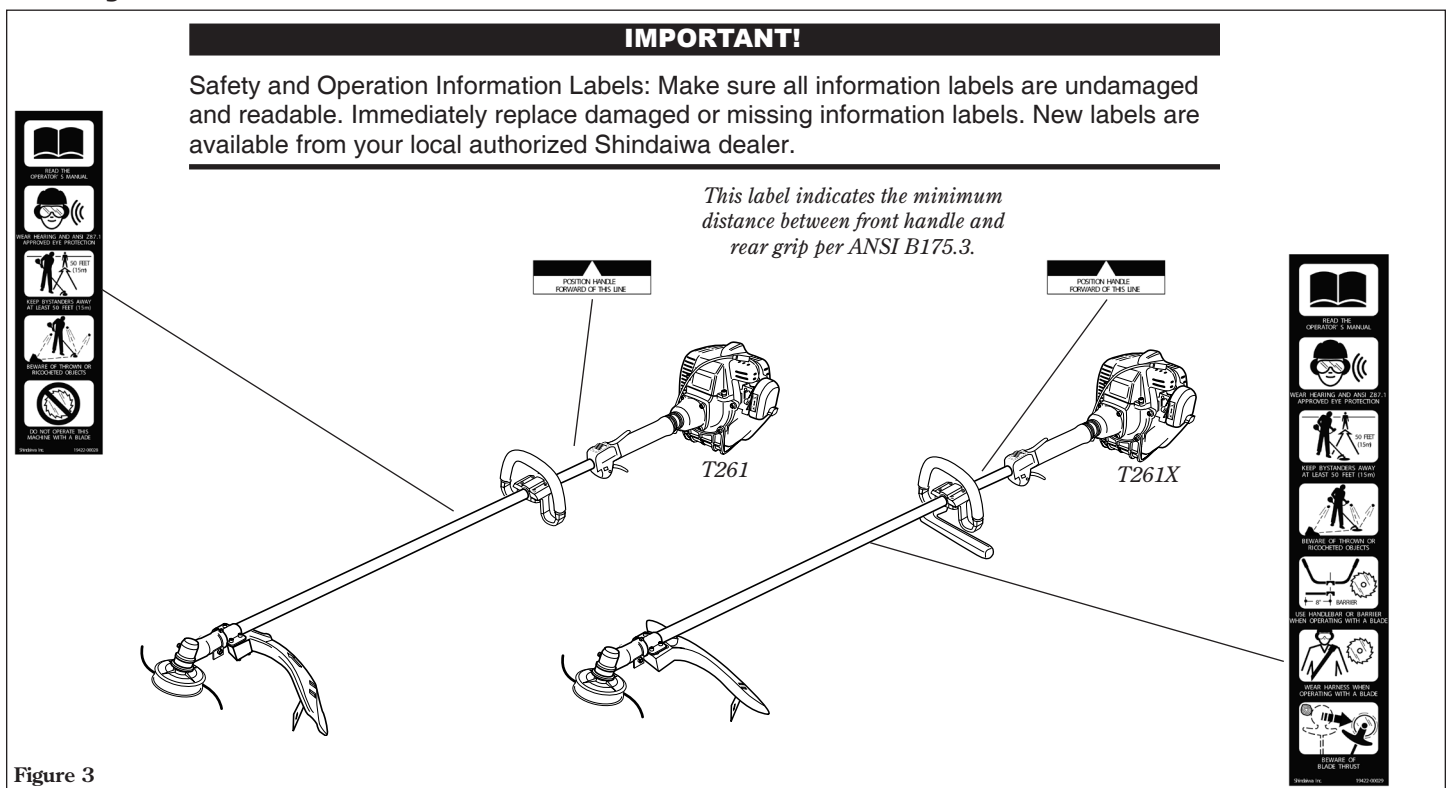


Figure 3

Product Description

Using the accompanying illustrations as a guide, familiarize yourself with this unit and its various components. See Figure 4. Understanding your unit helps ensure top performance, long service life, and safer operation.



WARNING!

Do not make unauthorized modifications or alterations to any of these units or their components.

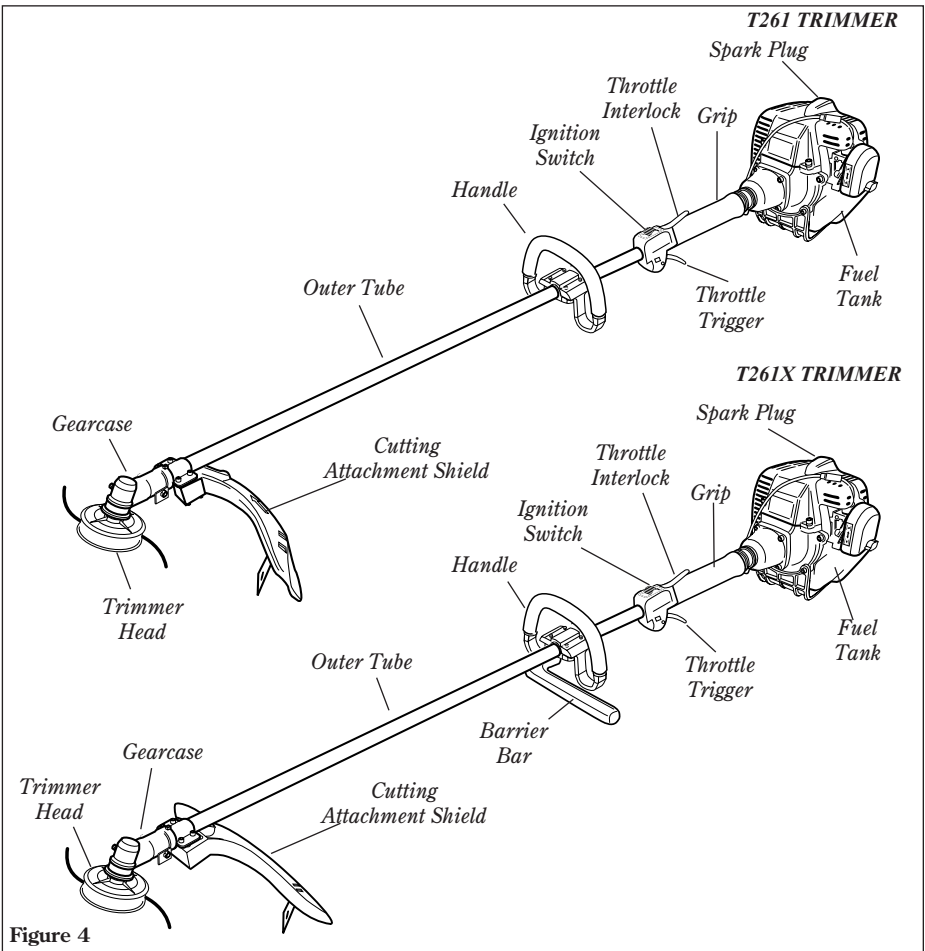



Figure 4

Specifications

T261 dry weight (less attachments).....	12.8 lb./5.8 kg	Spark plug.....	Champion CJ8Y
T261X dry weight (less attachments).....	13.1 lb./5.9 kg	Air cleaner type.....	Non-reversible heavy-duty filter element
Engine model.....	Shindaiwa S260C	Starting method.....	Recoil
Engine type.....	2-cycle, catylist, vertical-cylinder , air cooled	Stopping method.....	Slide switch
Bore x stroke.....	1.3x1.2 in./32x30 mm	Transmission type.....	Automatic, centrifugal clutch w/bevel gear
Displacement.....	1.5 cu. in./24.1 cc	EPA Emission Compliance Period**	Category A
Maximum power.....	1.2 HP/0.9 kW @ 7500 rpm (min ⁻¹)	 * ONE meets or exceeds these specifications and is recommended for all Shindaiwa products.	
Fuel/oil ratio.....	50:1 with ISO-L-EGD or JASO FC class 2-cycle mixing oil*	** The EPA emission compliance referred to on the emission compliance label located on the engine, indicates the number of operating hours for which the engine has been shown to meet Federal emission requirements. Category C = 50 hours (Moderate), B = 125 hours (Intermediate) and A = 300 hours (Extended).	
Carburetor type.....	TK DPN, diaphragm-type		
Fuel tank capacity.....	24.3 oz./720 ml		
Ignition.....	One-piece electronic transistor-controlled		

Specifications are subject to change without notice.

Assembly and Adjustments

This unit comes fully assembled with the exception of the cutting attachment shield and cutting attachment.

Prior to Assembly

Before assembling, make sure you have all the components required for a complete unit and inspect unit and components for any damage.

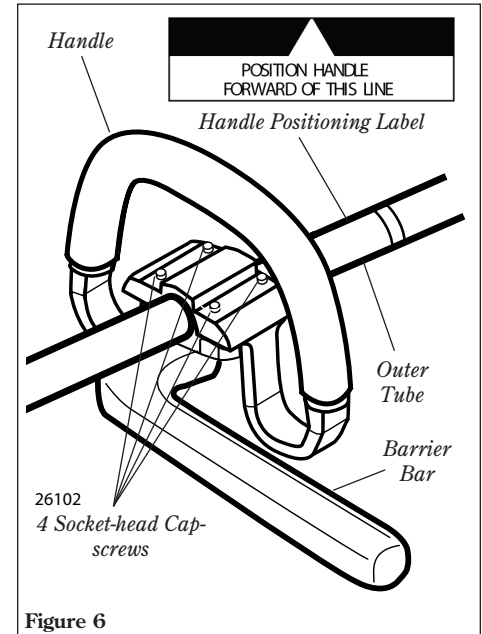
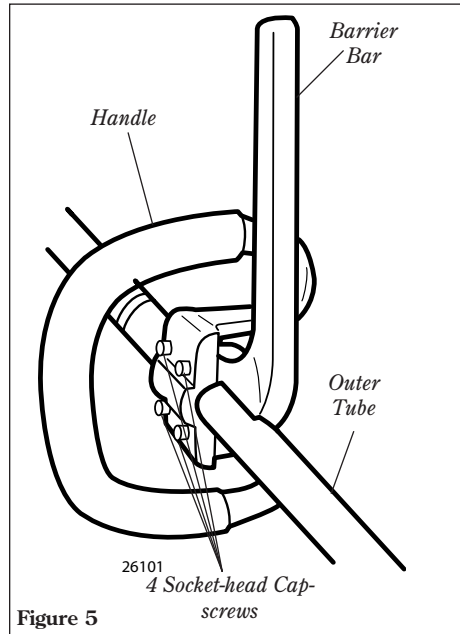
- Engine and shaft assembly
- Cutting attachment shield
- Cutting attachment
- Kit containing cutting attachment shield mounting bracket and hardware, this owner's/operator's manual and tool kit for routine maintenance. Tool kits vary by model and may include a hex wrench set, a spark plug/screwdriver combination wrench, and a spanner.

IMPORTANT!

The terms "left", "left-hand", and "LH"; "right", "right-hand", and "RH"; "front" and "rear" refer to directions as viewed by the operator during normal operation.

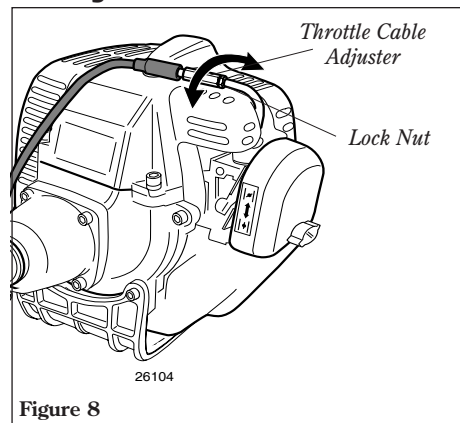
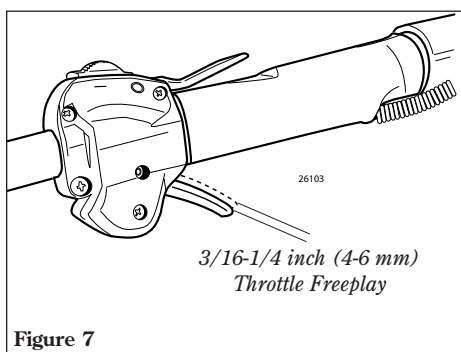
Handle

1. The handle is attached to the outer tube at the factory and positioned in an off-set position. See Figure 5.
2. Loosen the 4 socket-head cap screws on the handle and rotate the handle until the barrier bar is positioned horizontally on the left side of the unit. See Figure 6.
3. Position the handle forward of the Handle Positioning Label at the best position for operator comfort (usually about 10 inches ahead of the throttle housing).
4. Secure the handle by alternately tightening the four socket-head cap screws in a diagonal or "criss-cross" fashion.



Adjust Throttle Lever Free Play

The throttle lever free play should be approximately 3/16-1/4 inch (4-6 mm). See Figure 7. Make sure that the throttle lever operates smoothly without binding. If it becomes necessary to adjust the lever freeplay, follow the procedures and illustrations that follow.



1. Loosen the throttle cable lock nut and rotate the cable adjuster in or out to achieve proper free play of 3/16-1/4 inch (4-6 mm). See Figure 8.
2. Retighten the locknut.

Assembly: Cutting Attachment Shield

Install the Cutting Attachment Shield

1. Insert the cutting attachment shield between the outer tube and the cutting attachment mounting plate. See Figure 9.

NOTE:

It may be necessary to loosen the retaining nut and clamp screw to adjust cutting attachment shield mounting plate.

2. Fit the two shims and the bracket over the outer tube and loosely install the four socket-head screws. See Figure 9.

CAUTION!

Make sure the clamp screw and retaining nut are securely tightened before tightening the four socket-head cap screws.

3. Tighten the four socket-head cap screws to secure the cutting attachment shield.

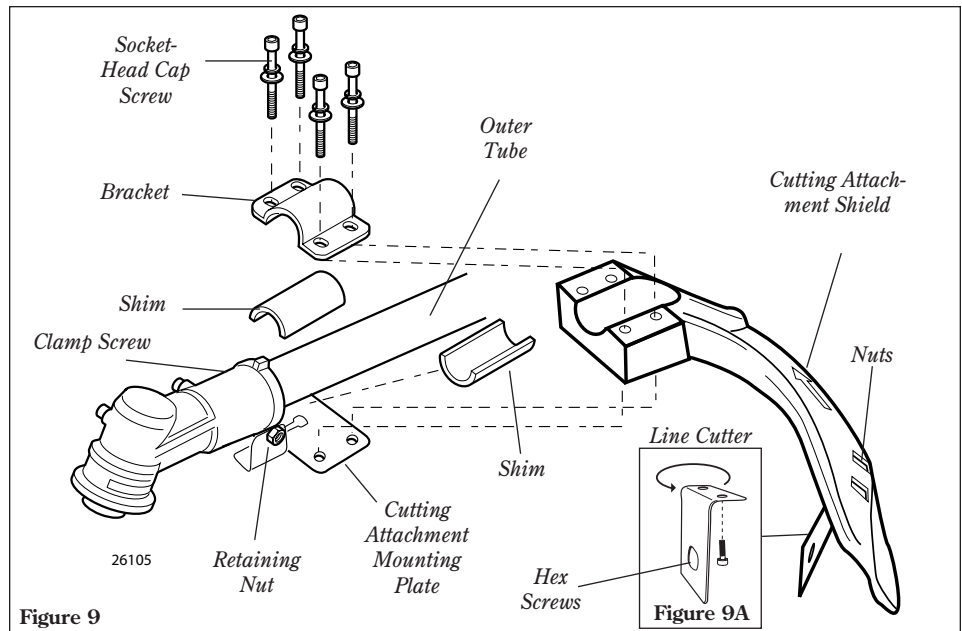


Figure 9

To Change Position of Line Cutter

The line cutter can be positioned in 2 positions to obtain different line length for cutting.

1. Remove the 2 hex screws with a 4mm hex wrench. See Figure 9A.

NOTE:

Be careful to not lose the 2 nuts in the cutting attachment shield, they are not captured.

2. Rotate line cutter. See Figure 9A.
3. Reinstall the two hex screws and tighten them securely.



WARNING!

NEVER operate the unit without the cutting attachment shield installed and tightly secured!



WARNING!

The line cutter is very sharp. Wear gloves to protect your hands when handling.

Assembly: Trimmer Head

Install the Trimmer Head

1. Turn the trimmer over so that the gearcase output shaft faces UP.
2. Remove and discard the black plastic retaining plug from the output shaft. See Figure 10.
3. Rotate the holder until the hole in the holder aligns with the notch on the gearcase. Use the long end of the hex wrench to lock the holder and output shaft. See Figure 10.
4. While holding the hex wrench, thread the trimmer head onto the output shaft, turning counter-clockwise. Using hand pressure only, tighten the trimmer head firmly on the output shaft.

IMPORTANT!

The trimmer head has a left-hand thread. For removal turn the trimmer head clockwise.

5. Remove the hex wrench.
6. Adjust the trimmer line length to reach no further than the line cutter on the cutting attachment shield. Trim to the correct length if necessary.

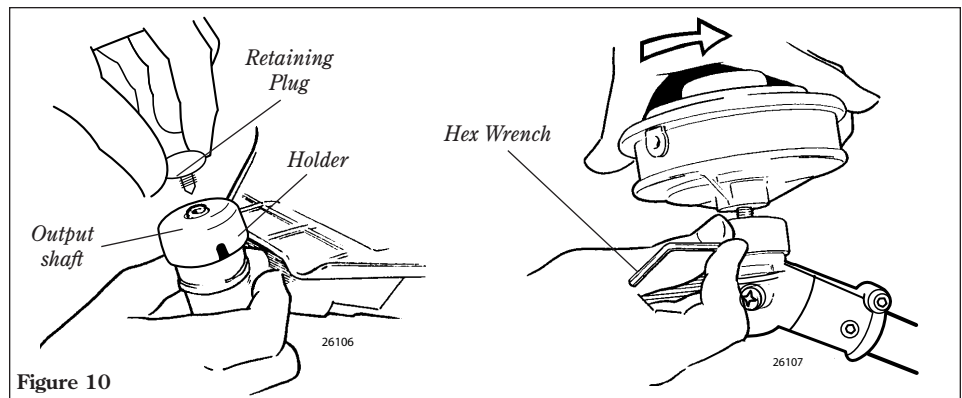


Figure 10



WARNING!

A standard grass trimmer with a loop handle should NEVER be operated with blade-type attachments. For blade use the trimmer must be fitted with a bicycle-type handlebar or a loop handle with a barrier bar that is located in front of the operator to reduce the risk of the operator coming in contact with the cutting attachment (per ANSI B175.3). When using a blade, the unit must also be equipped with a harness or strap.

To install a trimmer head onto a T261X, first remove the shaft bolt, bolt guard and safety clip (see the next page).

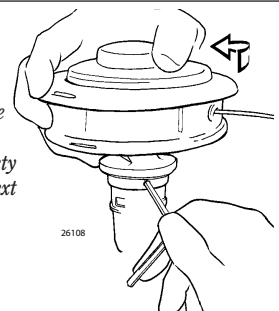


Figure 11

The unit should now be completely assembled and ready for use with a trimmer head.

Assembly: Blade T261X

Mount the Cutting Blade.

Turn the T261X upside down so the gearcase output shaft is facing UP and remove the shaft bolt, bolt guard and holder B from the gearcase shaft.

1. Align the hole in blade holder A with the matching hole in the gearcase flange and then temporarily lock the output shaft by inserting a hex wrench through both holes. See Figure 12.
2. Slide the safety clip off-center. See Figure 13.
3. Fit the blade over the safety clip and then center it over the flange on holder A. See Figure 14.

CAUTION!

Install the blade so its printed surface is visible to the operator when the brushcutter is in the normal operating position.



WARNING!

The blade must fit flat against the holder flange. The blade mounting hole must be centered over the raised boss on blade holder A.

NOTE:

When installing certain blades, it may be necessary to temporarily remove the safety clip.

4. Lock the blade in place by centering the safety clip on the output shaft. See Figure 14.



WARNING!

Never operate the T261X without the safety clip in place!

IMPORTANT!

The machined recess in holder B must completely surround the safety clip, and both holders must be flat against the surface of the blade.

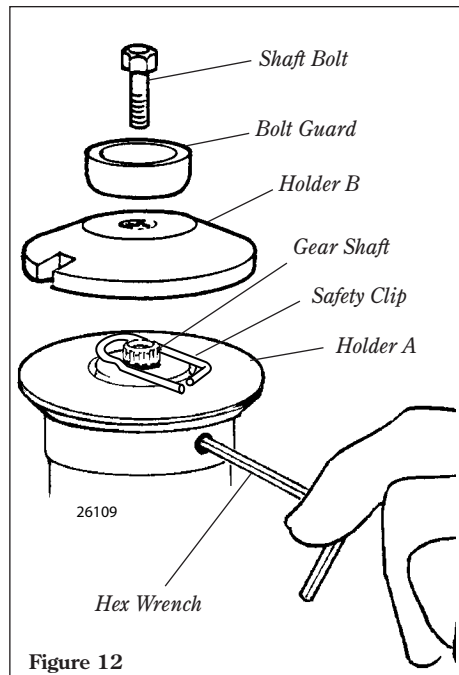


Figure 12

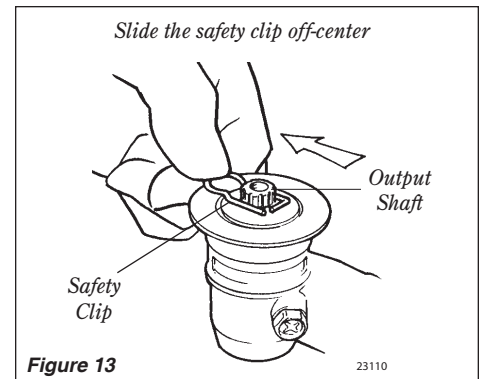


Figure 13

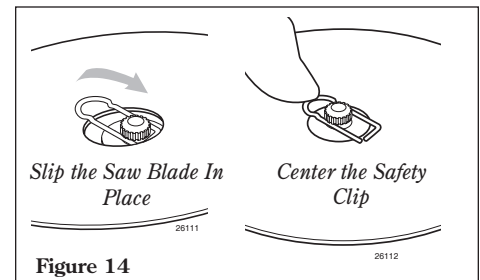


Figure 14

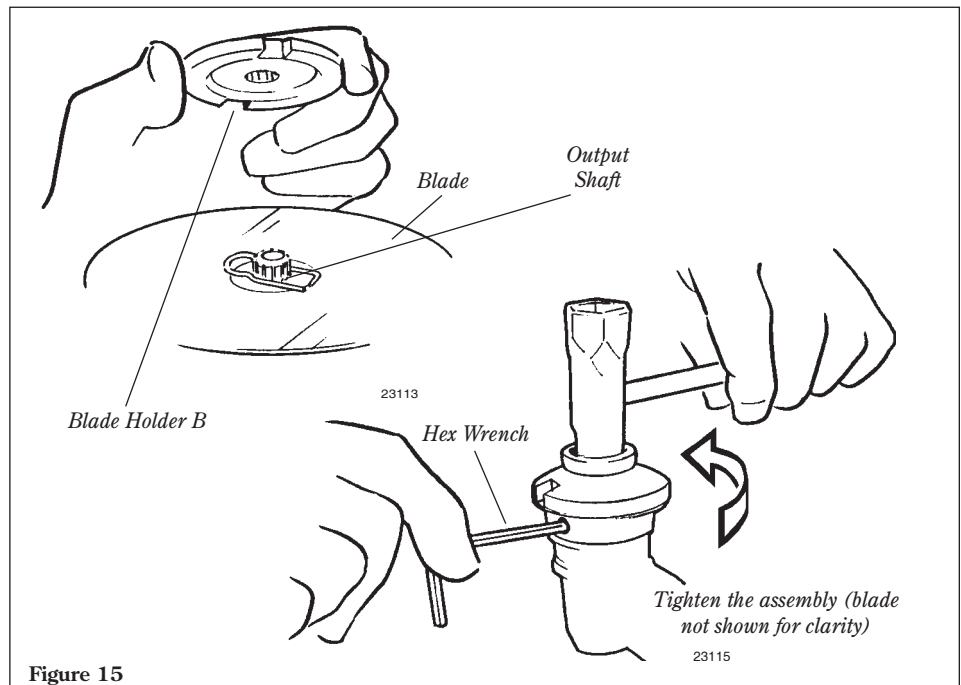


Figure 15

5. Install blade holder B on the output shaft. See Figure 15. The recess in the holder must completely cover the safety clip, and must fit tightly against the blade.
6. Install the bolt guard and then the blade retaining bolt. Using the combination spark plug wrench/screwdriver, tighten the bolt firmly in a counter-clockwise direction.
7. Remove the hex wrench.

The T261X should now be completely assembled and ready for use with a blade.

Mixing Fuel

CAUTION!

Some types of gasoline contain alcohol as an oxygenate. Oxygenated gasoline may cause increased operating temperatures. Under certain conditions, alcohol-based gasoline may also reduce the lubricating qualities of some 2-cycle mixing oils. Never use any type of gasoline containing more than 10% alcohol by volume! Generic oils and some outboard oils may not be intended for use in high-performance C4 engines, and should never be used in your Shindaiwa engine.

CAUTION!

This engine is designed to operate on a 50:1 mixture consisting of unleaded gasoline and ISO-L-EGD or JASO FC class 2-cycle mixing oil only. Use of non-approved mixing oils can lead to excessive carbon deposits.

- Use only fresh, clean unleaded gasoline with a pump octane of 87 or higher.
- Mix all fuel with a 2-cycle air-cooled mixing oil that meets or exceeds ISO-L-EGD and/or JASO FC classified oils at 50:1 gasoline/oil ratio.

Examples of 50:1 mixing quantities

- 1 gallon of gasoline to 2.6 oz. mixing oil
- 5 liters of gasoline to 100 ml. mixing oil

IMPORTANT!

Mix only enough fuel for your immediate needs! If fuel must be stored longer than 30 days and **ONE** oil with fuel stabilizer is not used, it should first be treated with a fuel stabilizer such as StaBil™.

shindaiwa ONE Oil is a registered JASO FC classified oil and also meets or exceeds ISO-L-EGD performance requirements. Shindaiwa One is recommended for use in all Shindaiwa low emissions engines. Shindaiwa One also includes a fuel stabilizer.

Filling the Fuel Tank



WARNING! Minimize the risk of fire!

- STOP engine before refueling.
 - ALWAYS allow the engine to cool before refueling!
 - Wipe all spilled fuel and move the engine at least 10 feet (3 meters) from the fueling point and source before restarting!
 - NEVER start or operate this unit if there is a fuel leak.
- NEVER start or operate this unit if the carburetor, fuel lines, fuel tank and/or fuel tank cap are damaged.
 - NEVER smoke or light any fires near the engine or fuel source!
 - NEVER place any flammable material near the engine muffler!
 - NEVER operate the engine without the muffler and spark arrester in good working condition.

1. Place the trimmer on a flat, level surface.
2. Clear any dirt or other debris from around the fuel filler cap.
3. Remove the fuel cap, and fill the tank with clean, fresh fuel.
4. Reinstall the fuel filler cap and tighten firmly.

Starting the Engine

IMPORTANT!

Engine ignition is controlled by a two position switch mounted on the throttle housing labeled, "I" for ON or START and "O" for OFF or STOP.

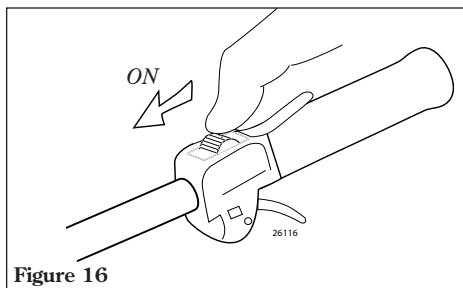


Figure 16

1. Slide the ignition switch to the "I" position (engine ON).

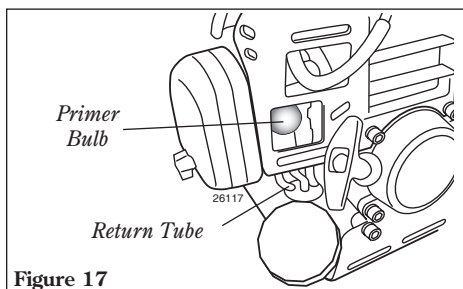


Figure 17

IMPORTANT!

The primer system only pushes fuel through the carburetor. Repeatedly pressing the primer bulb will not flood the engine with fuel.

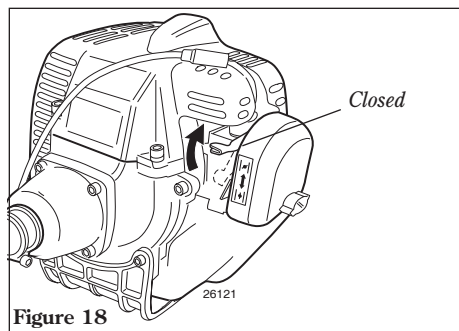


Figure 18

2. Press the primer bulb until fuel can be seen flowing in the transparent return tube.
3. Set the choke lever to the CLOSED position if engine is cold.

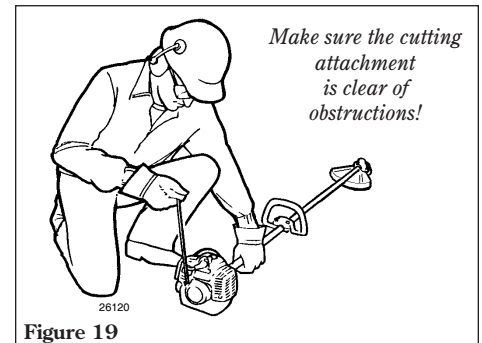


Figure 19

4. While holding the outer tube firmly with left hand, use your other hand to slowly pull the recoil starter handle until resistance is felt, then pull quickly to start the engine.

CAUTION!

Do not pull the recoil starter to the end of the rope travel. Pulling the recoil starter to the end of the rope travel can damage the starter.

Starting the Engine (continued)



WARNING!

The cutting attachment may rotate when the engine is started!

- When the engine starts, slowly move the choke lever to the "OPEN" position. See Figure 20. (If the engine stops after the initial start, close the choke and restart.)

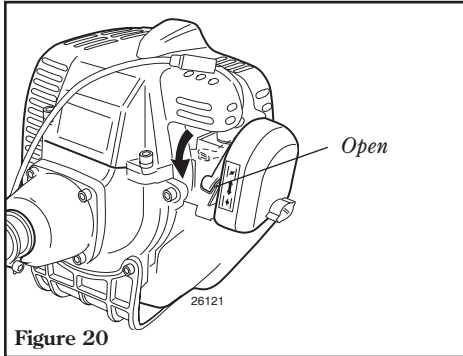


Figure 20



WARNING!

Never start the engine from the operating position.

IMPORTANT!

If the engine fails to start after several attempts with the choke in the closed position, the engine may be flooded with fuel. If flooding is suspected, move the choke lever to the open position and repeatedly pull the recoil starter to remove excess fuel and start the engine. If the engine still fails to start, refer to the troubleshooting section of this manual.

When the Engine Starts

- After the engine starts, allow the engine to warm up at idle 2 or 3 minutes before operating the unit.
- After the engine is warm, pick up the unit and clip on the shoulder strap if so equipped. See page 11.
- Advancing the throttle makes the cutting attachment turn faster; releasing the throttle permits the attachment to stop turning. If the cutting attachment continues to rotate when the engine returns to idle, carburetor idle speed should be adjusted (see "Adjusting Engine Idle" below).

Stopping the Engine

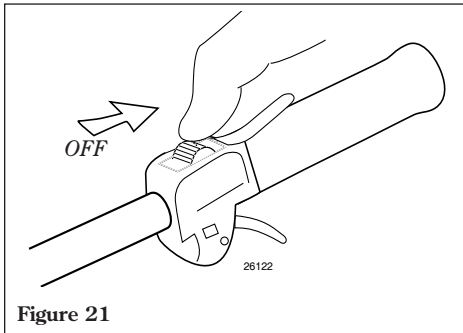


Figure 21

Idle the engine briefly before stopping (about 2 minutes), then slide the ignition switch to the "O" (Engine OFF) position.

Adjusting Engine Idle

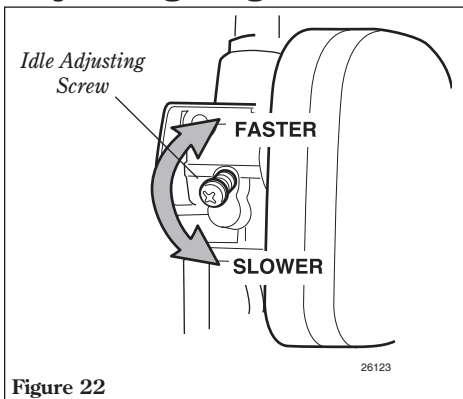


Figure 22

The engine must return to idle speed whenever the throttle lever is released. Idle speed is adjustable, and must be set low enough to permit the engine clutch to disengage the cutting attachment.

Idle Speed Adjustment

- Place the trimmer on the ground, then start the engine, and allow it to idle 2-3 minutes until warm.

- If the attachment rotates when the engine is at idle, reduce the idle speed by turning the idle adjustment screw counter-clockwise. See Figure 22.
- If a tachometer is available, the engine idle speed should be final adjusted to 2,750 (± 250) rpm (min^{-1}).
- Carburetor fuel mixture adjustments are preset at factory and cannot be serviced in the field.



WARNING!

The cutting attachment must NEVER rotate at engine idle! If the idle speed cannot be adjusted by the procedure described here, return the trimmer to your Shindaiwa dealer for inspection.

Checking Unit Condition

Use only authorized Shindaiwa parts and accessories with your Shindaiwa trimmer. Do not make modifications to this unit without written approval from Shindaiwa, Inc.



WARNING!

A cutting attachment shield or other protective device is no guarantee of protection against ricochet. **YOU MUST ALWAYS GUARD AGAINST FLYING DEBRIS!**

ALWAYS make sure the cutting attachment is properly installed and firmly tightened before operation.

NEVER use a cracked or warped cutting attachment: replace it with a serviceable one.

ALWAYS make sure the cutting attachment fits properly into the appropriate attachment holder. If a properly installed attachment vibrates, replace the attachment with new one and re-check.

ALWAYS stop the engine immediately and check for damage if you strike a foreign object or if the unit becomes tangled. Do not operate with broken or damaged equipment.

NEVER allow the engine to run at high RPM without a load. Doing so could damage the engine.

NEVER operate a unit with worn or damaged fasteners or attachment holders.

NEVER operate the unit with the cutting attachment shield or other protective devices removed!

Shoulder Strap

Adjust the shoulder strap so the shoulder pad rests comfortably on the off-side shoulder and the cutting path of the cutting attachment is parallel to the ground. Make sure all hooks and adjustment devices are secure.

T261

NOTE:

Although a shoulder strap accessory is not required for use with a grass trimmer, a shoulder strap can increase operator comfort during extended periods of operation. See Figure 23.

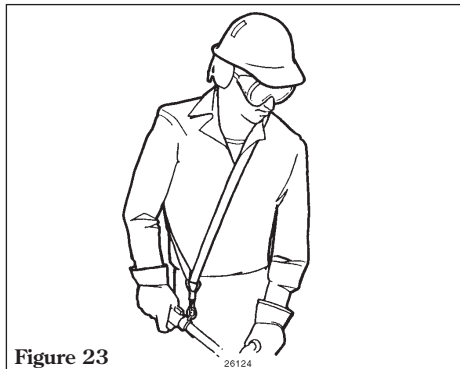


Figure 23

T261X

Operating With A Blade



WARNING!

Always wear a shoulder strap when operating this unit with a blade. A shoulder strap is also recommended when using trimmer line.

NOTE:

Using a shoulder strap when operating this unit with a blade allows you to maintain proper control of the unit and reduces fatigue during extended operation.

Cutting Grass—Units Equipped with a Trimmer Head

Your Shindaiwa unit may be equipped with one of several Shindaiwa trimmer head models, each with features for specific applications and/or operational requirements.

NOTE:

For proper operation, always refer to the instructions accompanying the trimmer head being used. Available trimmer head styles include:

- **Semi-automatic.** Trimmer line is indexed when the operator taps the trimmer head on the ground during operation.
- **Manual.** The operator indexes line manually with the grass trimmer stopped.
- **Fixed.** The operator must stop the unit and add new lengths of trimmer line manually.
- **Flail.** This device, designed for clearing weeds and light brush, features three nylon blades attached to the head by pivots.

NOTE:

Additional hardware may be required to mount the Fixed Line or the Flail type trimmer heads.

CAUTION!

Do not push the rotating line into trees, wire fences or any material that could tangle or break line ends.

Engine Operating Speeds

Operate the unit at full throttle while cutting grass.

CAUTION!

Operation of trimmer without a cutting attachment shield and using excessive line length can lead to premature clutch failure.

CAUTION!

Operation at low RPM can lead to premature clutch failure.

Trimming and Mowing Grass



Figure 24

Hold the trimmer so the trimmer head is angled slightly into the area to be cut. To ensure maximum trimmer-line service life, cut only with the tip of the trimmer line. Cut grass by swinging the trimmer from left to right. Keep the trimmer head horizontal. See Figure 24.

Edging

Tilt the handle about 100° to the left (from horizontal) and move forward, holding the trimmer vertically as shown in Figure 25.

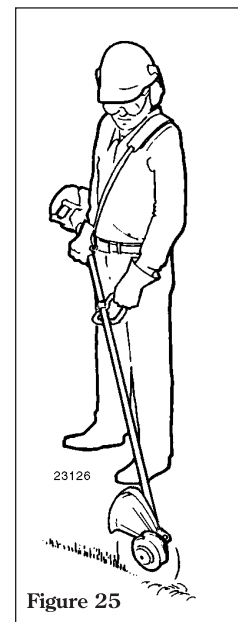


Figure 25

Using a Blade T261X



WARNING!

- Before working with a blade-equipped unit, always inspect and clean the area of objects that could interfere with or damage the blade.
- **Never** use a blade near sidewalks, fence posts, buildings or other objects that could cause injury or damage.
- **Never** use a blade for purposes other than those for which it was designed.
- Whenever you strike a hard object with a blade, always stop the brushcutter and carefully inspect the blade for damage. **NEVER OPERATE THE BRUSHCUTTER WITH A DAMAGED BLADE!**
- A blade-equipped unit must be equipped with a bicycle-type handlebar or barrier bar as well as a harness or shoulder strap.
- **Always** make sure the cutting attachment shield is properly installed before operating this unit.

Blade Thrust

'Blade thrust' is a sudden sideways or backward motion of the brushcutter. Such motion may occur when the blade jams or catches on an object 18568980 such as a sapling tree or tree stump. **BE CONSTANTLY ALERT FOR BLADE THRUST AND GUARD AGAINST ITS EFFECTS!**

Brushcutter Handlebar

A brushcutter handlebar or barrier bar helps prevent the operator from moving forward, or the unit moving rearward, thus preventing inadvertent bodily contact with the blade. **ALWAYS KEEP THE HANDLEBAR OR BARRIER BAR SECURELY IN PLACE ON THE UNIT!**

Brushcutter Shoulder Strap

A shoulder strap provides additional protection against blade thrust. In addition, a shoulder strap gives significant support and comfort to help ensure safe and efficient operation.

When operating a T261X with a blade, make sure both the handle and shoulder strap are adjusted to the size of the operator using the unit.

Engine Operating Speeds

Operate the unit at full throttle while cutting. Best fuel efficiency is obtained by releasing the throttle when swinging back after a cut.

- To prevent possible engine damage, do not allow the brushcutter to run at high speeds without a load.
- Avoid operating the engine at low speeds. Doing so can lead to rapid clutch wear. In addition, slow-speed operation tends to cause grass and debris to wrap around the cutting head.



WARNING!

When cutting wood with a saw, feed the blade slowly — *never strike or "slam" a spinning blade against the wood.*



WARNING!

DO NOT use 2-tooth or non-Shindaiwa approved 4-tooth cutting blades with Shindaiwa trimmers and brushcutters.

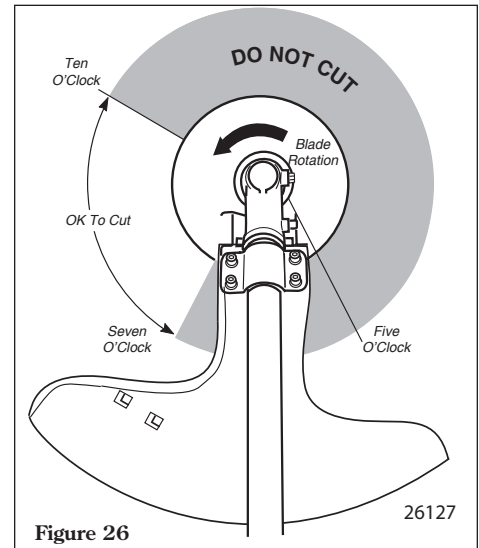


Figure 26

The blade rotates counter-clockwise. For best performance and to minimize being stuck by debris, move the blade from right to left while advancing on your work.

Position the blade so cuts are made between the blade's 7 o'clock and 10 o'clock positions (as viewed from above). **DO NOT** cut between the 10 o'clock and 5 o'clock positions. See Figure 26.

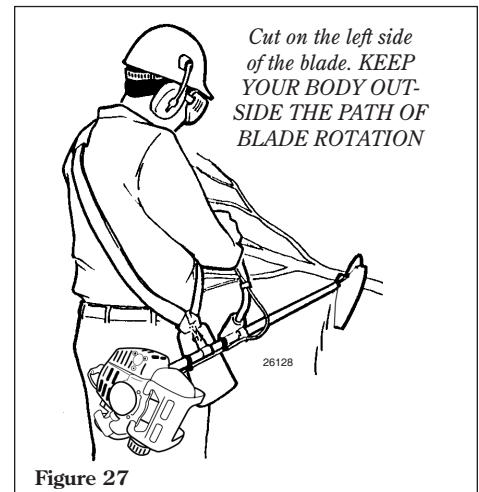


Figure 27

Vertical Cuts

Hold the brushcutter with the blade at a 90° angle to the ground so the blade's bottom edge rotates toward the operator. Move the blade from top to bottom through the cut, and cut *only* with the bottom edge of the blade. See Figure 27.



WARNING!

When making vertical cuts, never allow the blade to exceed waist height.

General Maintenance

IMPORTANT!

MAINTENANCE, REPLACEMENT OR REPAIR OF EMISSION CONTROL DEVICES AND SYSTEMS MAY BE PERFORMED BY ANY REPAIR ESTABLISHMENT OR INDIVIDUAL; HOWEVER, WARRANTY REPAIRS MUST BE PERFORMED BY A DEALER OR SERVICE CENTER AUTHORIZED BY SHINDAIWA CORPORATION. THE USE OF PARTS THAT ARE NOT EQUIVALENT IN PERFORMANCE AND DURABILITY TO AUTHORIZED PARTS MAY IMPAIR THE EFFECTIVENESS OF THE EMISSION CONTROL SYSTEM AND MAY HAVE A BEARING ON THE OUTCOME OF A WARRANTY CLAIM.



WARNING!

Before performing any maintenance, repair or cleaning work on the unit, make sure the engine and cutting attachment are completely stopped. Disconnect the spark plug wire before performing service or maintenance work.



WARNING!

Non-standard parts may not operate properly with your unit and may cause damage and lead to personal injury.

NOTE:

Using non-standard replacement parts could invalidate your Shindaiwa warranty.

Muffler

This unit must never be operated with a faulty or missing spark arrester or muffler. Make sure the muffler is well secured and in good condition. A worn or damaged muffler is a fire hazard and may also cause hearing loss.

Spark Plug

Keep the spark plug and wire connections tight and clean.

Fasteners

Make sure nuts, bolts, and screws (except carburetor adjusting screws) are tight.

Blades

Keep blades sharp and check blade condition frequently. If a blade's performance changes suddenly, stop the engine and check the blade for cracks or other damage. Replace a damaged blade IMMEDIATELY!



WARNING!

- Never repair a damaged blade by welding, straightening, or by modifying its shape. An altered blade may break during operation, resulting in serious personal injury.
- DO NOT use 2-tooth or NON-Shindaiwa approved 4-tooth cutting blades on Shindaiwa trimmers or brushcutters.
- Blades are **not** interchangeable between Shindaiwa edgers and trimmer/brushcutter models. Operating any unit with a blade or attachment not approved for that unit can be hazardous and may cause serious injury.

Daily Maintenance

Prior to each work day, perform the following:

- Remove dirt or debris from the engine, check the cooling fins and air cleaner for clogging and clean them as necessary.

- Carefully remove any accumulation of dirt or debris from the muffler or the fuel tank. Dirt build-up in these areas could cause the engine overheating, induce premature wear, or create a fire hazard.

- Check for loose or missing screws or components. Make sure the cutting attachment is securely fastened.
- Check the entire unit for leaking fuel or grease.

10-Hour Maintenance

Every 10 hours of operation (more frequently in dusty or dirty conditions): Remove the air cleaner element. See Figure 28. Clean or replace as necessary. To clean element: wash it thoroughly in soap and water. Let it dry before reinstalling the element.

CAUTION!

Do not operate the unit if the air cleaner or element is damaged, or if the element is wet.

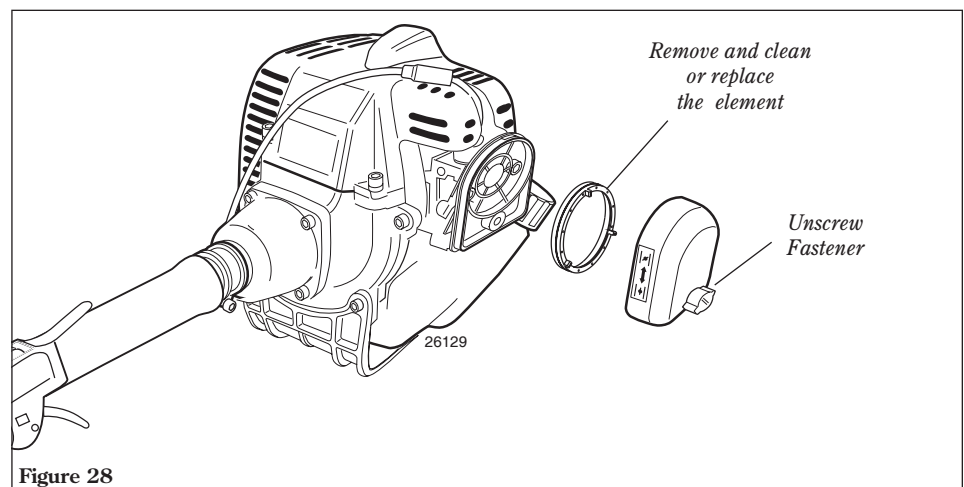
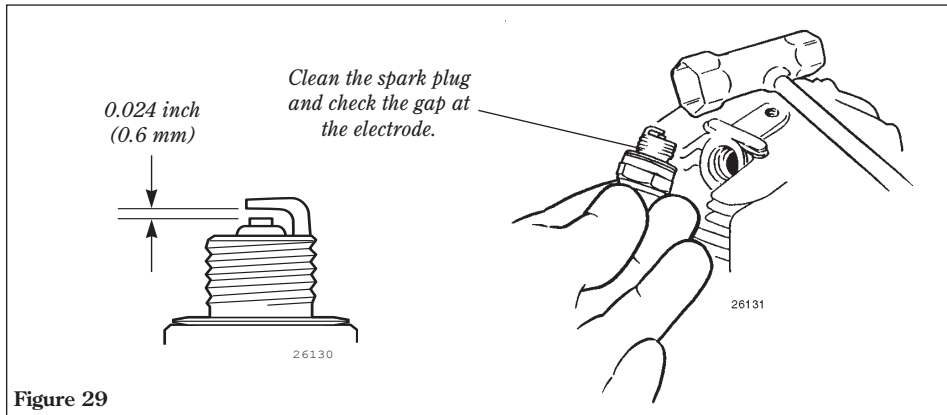


Figure 28

10/15-Hour Maintenance



Every 10 to 15 hours of operation: Remove and clean the spark plug. Adjust the spark plug electrode gap to 0.024 inch (0.6 mm). If the spark plug must be replaced, use only an champion CJ8Y or equivalent type spark plug of the correct heat range. See Figure 29.

CAUTION!

Before removing the spark plug, clean the area around the plug to prevent dirt and debris from getting into the engine's internal parts.

50-Hour Maintenance

Every 50 hours of operation
(more frequently in dusty or dirty conditions):

- Remove and clean the cylinder cover and clean grass and dirt from the cylinder fins.
- Remove the cutting attachment, cutting attachment holder and gear shaft collar. Remove the filler plug from the side of the gearcase and press new grease into the gearcase until old grease is pushed out. Use only lithium-base grease such as Shindaiwa Gear Case Lubricant or equivalent. See Figure 30.
- Lubricate main shaft splines.
- Use a hooked wire to extract the fuel filter from inside the fuel tank. See Figure 31.

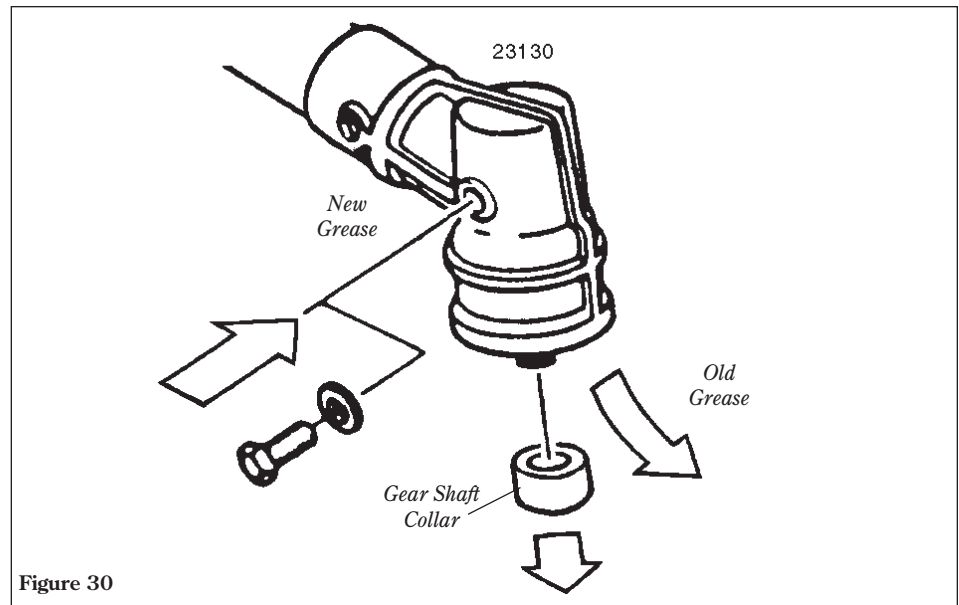


Figure 30

CAUTION!

Make sure you do not pierce the fuel line with the end of the hooked wire. The line is delicate and can be damaged easily.

- Remove and replace the filter element. Before reinstalling the new filter element, inspect the condition of all the fuel system components (fuel pick-up line, fuel return line, tank vent line, tank vent, fuel cap and fuel tank). If damage, splitting or deterioration is noted, the unit should be removed from service until it can be inspected or repaired by a Shindaiwa-trained service technician.

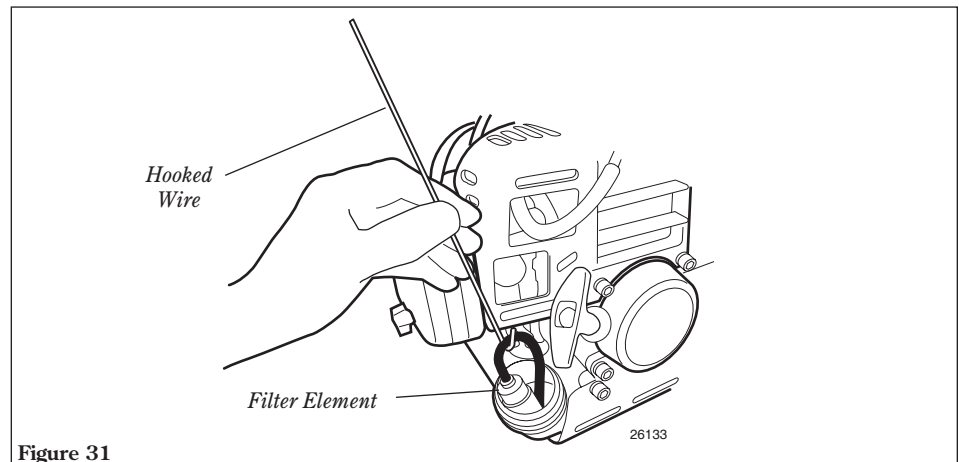


Figure 31

135-Hour Maintenance

Every 135 hours of operation, remove and clean the muffler.



WARNING!

Never operate the machine with a damaged or missing muffler or spark arrester! Operating with missing or damaged exhaust components is a fire hazard and could also damage your hearing.

1. Remove the spark plug boot.
2. Remove the two 4 mm engine cover screws (located at the top of the recoil housing).
3. Loosen the 5 mm engine top cover screw (the screw is captive) and lift the cover from the engine.
4. Remove the two 5 mm muffler screws. Remove the lower muffler screw, then lift the muffler assembly from the engine.

Long Term Storage

Whenever the unit will not be used for 30 days or longer, use the following procedures to prepare it for storage:

- Clean external parts thoroughly.
- Drain all the fuel from the fuel tank.

IMPORTANT!

All stored fuels should be stabilized with a fuel stabilizer such as STA-BIL™, if **ONE** oil with fuel stabilizer is not used.

- Remove the remaining fuel from the fuel lines and carburetor.

Blade Sharpening

When the cutting edges of the blade become dull, they can be resharpened with a few strokes of a file.

In order to keep the blade in balance, all cutting edges must be sharpened equally.

Shindaiwa Tornado® Blade

To sharpen the cutters on a Shindaiwa Tornado Blade, use a 7/32-inch round file. File the leading edge of each tooth to a razor edge. The top plate of each tooth should angle back 30°.

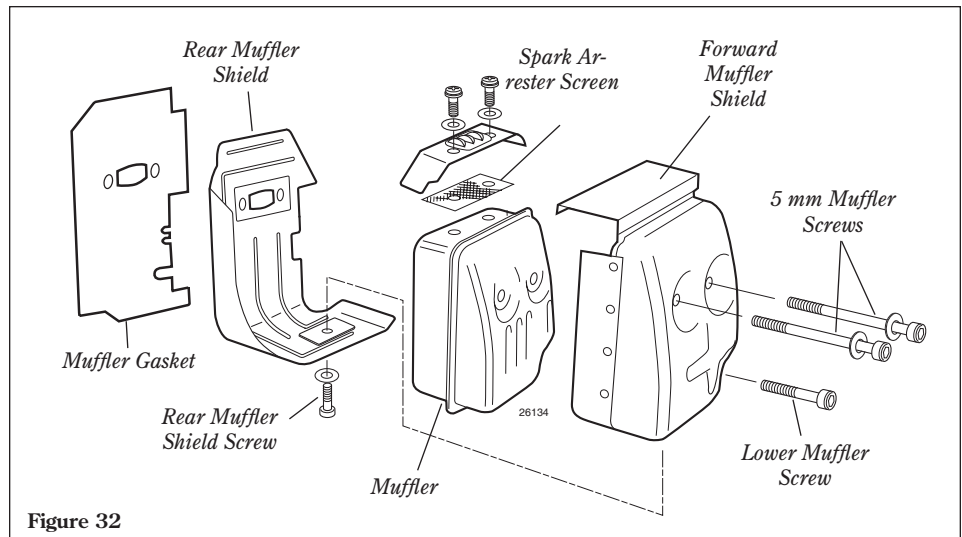


Figure 32

5. Remove the rear muffler shield socket head screw and, while noting the orientation of parts, separate the muffler shield. See Figure 32.
6. Remove the spark arrester screen and clean with a stiff bristle brush.
7. Gently tap the muffler on a wood surface to dislodge any loose carbon.
8. Inspect the cylinder exhaust port for carbon buildup.

IMPORTANT!

If you note excessive carbon buildup, consult with an authorized servicing dealer.

9. Reassemble the muffler in the reverse order of disassembly.

CAUTION!

Gasoline stored in the carburetor for extended periods can cause hard starting and could also lead to increased service and maintenance.

1. Prime the primer bulb until no more fuel is passing through.
2. Start and run the engine until it stops running.
3. Repeat steps 1 and 2 until the engine will no longer start.

- Remove the spark plug and pour about 1/4 ounce of 2-cycle mixing oil into the cylinder through the spark plug hole. Slowly pull the recoil starter 2 or 3 times so oil will evenly coat the interior of the engine. Reinstall the spark plug.

- Before storing the unit, repair or replace any worn or damaged parts.
- Remove the air cleaner element from the carburetor and clean it thoroughly with soap and water. Let dry and reassemble the element.
- Store the unit in a clean, dust-free area.

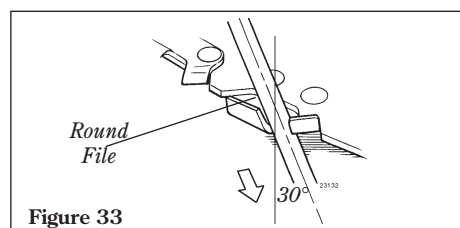


Figure 33



WARNING!

Sharpen only the cutting teeth of a blade. DO NOT alter the contour of the blade in any way.

Multiple-tooth Circular Blade

Use a round file to maintain a radius of 0.04 to 0.06" (1 to 1.5 mm) at the base of each tooth. Cutting edges must be offset equally on each side.

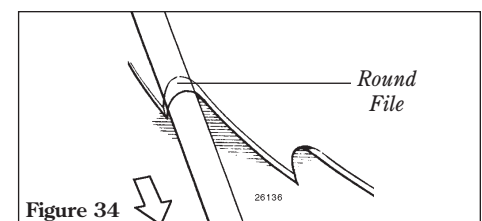


Figure 34

Troubleshooting Guide

ENGINE DOES NOT START

What To Check	Possible Cause	Remedy
Does the engine crank?	NO → Faulty recoil starter. Fluid in the crankcase. Internal damage.	Consult with an authorized servicing dealer.
YES ↓ Good compression?	NO → Loose spark plug. Excess wear on cylinder, piston, rings.	Tighten and retest. Consult with an authorized servicing dealer.
YES ↓ Does the tank contain fresh fuel of the proper grade?	NO → Fuel incorrect, stale, or contaminated; mixture incorrect.	Refill with clean fresh unleaded gasoline with a pump octane of 87 or higher, mixed with Shindaiwa Premium 2-cycle mixing oil at a 50:1 gasoline/oil ratio.
YES ↓ Is fuel visible and moving in the return line when priming?	NO → Check for clogged fuel filter and/or vent.	Replace fuel filter or vent as required. Restart.
YES ↓ Is there spark at the spark plug wire terminal?	NO → The ignition switch is in "O" (OFF) position. Shorted ignition system. Faulty ignition unit.	Move switch to "I" (ON) position and re-start. Consult with an authorized servicing dealer.
YES ↓ Check the spark plug.	If the plug is wet, excess fuel may be in the cylinder. The plug is fouled or improperly gapped. The plug is damaged internally or of the wrong size.	Crank the engine with the plug removed, replace the plug, and re-start. Clean and re-gap the plug to 0.024 inch (0.6 mm). Re-start. Replace the plug with a Champion CJ8 or equivalent type spark plug of the correct heat range.

Troubleshooting Guide (continued)

LOW POWER OUTPUT

What To Check	Possible Cause	Remedy
Is the engine overheating?	Operator is overworking the unit.	Shorten trimmer line. Cut at a slower rate.
	Carburetor mixture is too lean.	Consult with an authorized servicing dealer.
	Improper fuel ratio.	Refill with clean fresh unleaded gasoline with a pump octane of 87 or higher, mixed with Shindaiwa Premium 2-cycle mixing oil at a 50:1 gasoline/oil ratio.
	Fan, fan cover, cylinder fins dirty or damaged. Carbon deposits on the piston or in the muffler.	Consult with an authorized servicing dealer. Consult with an authorized servicing dealer.
Engine is rough at all speeds. May also have black smoke and/or unburned fuel at the exhaust.	Clogged air filter.	Clean or replace the air filter.
	Loose or damaged spark plug.	Tighten or replace the plug with a Champion CJ8 or equivalent type spark plug of the correct heat range.
	Air leakage or clogged fuel line.	Repair or replace filter and/or fuel line.
	Water in the fuel.	Refill with fresh fuel/oil mixture. See Page 9.
	Piston seizure. Faulty carburetor and/or diaphragm.	Consult with an authorized servicing dealer.
Engine is knocking.	Overheating condition.	See above.
	Improper fuel.	Check fuel octane rating; check for presence of alcohol in the fuel. Refuel as necessary. See page 9.
	Carbon deposits in the combustion chamber.	Consult with an authorized servicing dealer.

Troubleshooting Guide (continued)

ADDITIONAL PROBLEMS

Symptom	Possible Cause	Remedy
Poor acceleration.	<ul style="list-style-type: none"> Clogged air filter. Clogged fuel filter. Lean fuel/air mixture. Idle speed set too low. 	<ul style="list-style-type: none"> Clean or replace the air filter. Replace the fuel filter. Consult with an authorized servicing dealer. Adjust: 2,750 (± 250) rpm (min^{-1})
Engine stops abruptly.	<ul style="list-style-type: none"> Switch turned off. Fuel tank empty. Clogged fuel filter. Water in the fuel. Shorted spark plug or loose terminal. Ignition failure. Piston seizure. 	<ul style="list-style-type: none"> Reset the switch and re-start. Refuel. See page 9. Replace filter. Drain; replace with clean fuel. See page 9. Clean or replace spark plug with a Champion CJ8 or equivalent type spark plug of the correct heat range. Replace the ignition unit. Consult with an authorized servicing dealer.
Engine difficult to shut off.	<ul style="list-style-type: none"> Ground (stop) wire is disconnected, or switch is defective. Overheating due to incorrect spark plug. Overheated engine. 	<ul style="list-style-type: none"> Test and replace as required. Replace spark plug with a Champion CJ8 or equivalent spark plug of the correct heat range. Idle engine until cool.
Cutting attachment rotates at engine idle.	<ul style="list-style-type: none"> Engine idle too high. Broken clutch spring or worn clutch spring boss. Loose attachment holder. 	<ul style="list-style-type: none"> Set idle: 2,750 (± 250) rpm (min^{-1}) Replace spring/shoes as required, check idle speed. Inspect and re-tighten holders securely.
Excessive vibration.	<ul style="list-style-type: none"> Warped or damaged cutting attachment. Loose gearcase. Bent main shaft/worn or damaged bushings. 	<ul style="list-style-type: none"> Inspect and replace attachment as required. Tighten gearcase securely. Inspect and replace as necessary.
Cutting attachment will not rotate.	<ul style="list-style-type: none"> Shaft not installed in powerhead or gearcase. Broken shaft. Damaged gearcase. 	<ul style="list-style-type: none"> Inspect and reinstall as required. Consult with an authorized servicing dealer. Consult with an authorized servicing dealer.

Emission System Warranty Statement

Your Warranty Rights and Obligations

The California Air Resources Board, the U.S. Environmental Protection Agency and Shindaiwa Corporation are pleased to explain the exhaust and evaporative emission control system warranty on your new small off-road (non-road) engine.

In California, new small off-road engines must be designed, built, and equipped to meet the State's stringent anti-smog standards. In other states, new 1997 and later non-road engines must meet the Federal EPA's stringent anti-smog standards.

Shindaiwa Corporation must warrant the emission control system on your small off-road engine for the periods of time listed below, provided there has been no abuse, neglect, or improper maintenance of your small off-road engine.

Your engine exhaust and evaporative emission control system includes parts such as the carburetor, fuel tank, the ignition system and, if equipped, the catalytic converter. These components are specifically listed below.

Where a warrantable condition exists, Shindaiwa Corporation will repair your small off-road engine at no cost to you including diagnosis, parts, and labor.

Manufacturer's Warranty Coverage

When sold within the U.S., this engine's emission control system is warranted for a period of two (2) years from the date this product is first delivered to the original retail purchaser.

During the warranty period, Shindaiwa Corporation will, at their option, repair or replace any defective emission-related component on this engine. During the original Warranty Period, these Warranty Rights are automatically transferable to subsequent owners of this product.

What is Covered by this Warranty

1. Carburetor Internal Components
 - Throttle Valve, Needle, Jet, Metering Diaphragm
2. Fuel Tank
3. Ignition System Components
 - Ignition Coil
 - Flywheel Rotor
4. Catalytic Converter (if originally equipped)

The emission control system for your particular Shindaiwa engine may also include certain related hoses and connectors.

Owners Warranty Responsibilities

As the small off-road engine owner, you are responsible for the performance of the required maintenance listed in this owners manual. Shindaiwa Corporation recommends that you retain all receipts covering maintenance on your small off-road engine, but Shindaiwa Corporation cannot deny warranty solely for the lack of receipts or for your failure to ensure the performance of all scheduled maintenance.

As the small off-road engine owner, you should be aware, however, that Shindaiwa Corporation may deny you warranty coverage if your small off-road engine or a part has failed due to abuse, neglect, improper maintenance, or unapproved modifications.

You are responsible for presenting your small off-road engine to an authorized Shindaiwa Dealer as soon as a problem exists. The warranty repairs should be completed in a reasonable amount of time, not to exceed 30 days.

If you have any questions regarding your warranty rights and responsibilities, you should contact a Shindaiwa customer service representative at (503) 692-3070 or your local Shindaiwa Dealer.

Consequential Damages

In the event that other component parts of this product are damaged by the failure of a warranted part, Shindaiwa Corporation will repair or replace such component parts at no charge to you.

What is Not Covered

- Failures caused by abuse, neglect, or improper maintenance procedures.
- Failures caused by the use of modified or non-approved parts or attachments.

This Warranty is Administered by:

Shindaiwa Inc.
11975 S.W. Herman Rd.
Tualatin, OR 97062
(503) 692-3070



Shindaiwa Inc.
1 1975 S.W. Herman Rd.
Tualatin, Oregon 97062
Telephone: 503 692-3070
Fax: 503 692-6696
www.shindaiwa.com

Shindaiwa Corporation
Head Office: 6-2-11 Ozuka
Nishi, Asaminami-ku
Hiroshima, 731-3167, Japan
Telephone: 81-82-849-2220
Fax: 81-82-849-2481

Shindaiwa es una marca registrada de Shindaiwa, Inc.
Especificaciones sujetas a cambio sin previo aviso.

©2006 Shindaiwa, Inc.
Numero 81605
Revisado 11-06
Impresion en Los Estados Unidos de America

Lined area for notes or additional information.

Sus Derechos y Obligaciones de Garantía

La Junta de Recursos de Aire de California, La Agencia de Protección del Ambiente Estadounidense y la Corporación Shindaiwa se complacen en explicar la garantía del sistema de control del escape y evaporación de emisiones de su nuevo motor pequeño (no para el uso en automóviles).

En California, los motores pequeños (no para el uso en automóviles) están diseñados, construidos y equipados para cumplir con las normas exigentes de anti-contaminantes del Estado de California. En otros estados, los motores nuevos (no para el uso en automóviles) de 1997 para adelante deben cumplir las normas federales exigentes de la EPA de anti-contaminantes. La Corporación Shindaiwa debe garantizar el sistema de control de emisión de su motor pequeño (no para el uso en automóviles) durante los periodos mencionados abajo, asumiendo que no haya habido abuso, negligencia o mantenimiento impropio en su motor pequeño (no para el uso en automóviles).

Su sistema de control de escape y evaporación de emisiones incluye partes, tal como el carburador, tanque de combustible, el sistema de encendido, y, si está equipado, el convertidor catalítico. Estos componentes están mencionados específicamente abajo.

Cuando exista una condición bajo garantía, la Corporación Shindaiwa reparará su pequeño motor (no para el uso en automóviles) sin costo alguno para usted incluyendo el diagnóstico, repuestos y mano de obra.

Cobertura de la Garantía del Fabricante

Cuando sea vendido en los Estados Unidos, el sistema de control de emisión de este motor está garantizado por un periodo de dos (2) años desde la fecha en que el producto es entregado por primera vez al comprador minorista original.

Durante el periodo de la garantía, la Corporación Shindaiwa reparará o cambiará, a su discreción, cualquier componente defectuoso relacionado con el sistema de emisión del motor. Durante el periodo original de la garantía, estos derechos de garantía son automáticamente transferibles a propietarios subsiguientes de este producto.

Que Está Cubierto Por Esta Garantía

1. Los componentes internos del carburador.
 - La válvula de aceleración, la aguja, pistón, diafragma medidor.
2. Tanque de combustible
3. Los componentes del sistema de encendido.
 - Rosca del arrancador.
 - Rotor del volante.
4. Convertidor catalítico (si está originalmente equipado).

El sistema de control de emisión de su motor Shindaiwa puede también incluir ciertas mangueras y conexiones particulares.

Responsabilidades de Garantía del Propietario

Como propietario del motor pequeño (no para el uso en automóviles), es usted responsable por el rendimiento del mantenimiento requerido y mencionado en este manual del propietario. La Corporación Shindaiwa recomienda que guarde todo los recibos que demuestren el mantenimiento de su motor pequeño (no para el uso en automóviles), pero la Corporación Shindaiwa no puede negar la garantía solamente por la falta de recibos o por no llevar a cabo los mantenimientos programados.

Como propietario del motor pequeño (no para el uso en automóviles), debe saber que la Corporación Shindaiwa puede negarle la cobertura de garantía si su motor o sus partes han fallado debido a abuso, negligencia, mantenimiento impropio, o modificaciones no autorizadas.

Usted es responsable de presentar su pequeño motor (no para el uso en automóviles) a un centro de servicio Shindaiwa autorizado tan pronto como se presente un problema. Las reparaciones bajo garantía deben ser completadas en un tiempo razonable que no exceda 30 días.

Si tiene alguna pregunta con respecto a sus derechos y responsabilidades de garantía, usted debe contactar a un representante del servicio al cliente de Shindaiwa al (503) 692-3070 o a su centro local de servicio Shindaiwa.

Daos Consiguientes

En el evento de que alguna otra parte de los componentes de este producto estén dañados debido a la falla de alguna parte bajo la garantía, la Corporación Shindaiwa, reparará o cambiará tales partes sin costo alguno para usted.

Que No Está Cubierto

- Fallas causadas por abuso, negligencia, o mantenimiento impropio.
- Fallas causadas por el uso de piezas o accesorios modificados o no autorizados.

Esta garantía es administrada por:

Shindaiwa Inc.
11975 SW Herman Rd
Tualatin, OR 97062
Teléfono: 503 692 3070

Guía Diagnóstico (continuación)
PROBLEMAS ADICIONALES

Remedio	Posible Causa	Síntoma
<p>Limpe o reemplace el filtro de aire.</p> <p>Cambie el filtro de combustible.</p> <p>Consulte con su agente de servicio autorizado.</p> <p>Marcha mínima ajustada muy baja.</p> <p>Ajuste: a 2,750 RPM (± 250) rpm (min^{-1}).</p> <p>Fije el interruptor y vuelva arrancar.</p> <p>Vuelva a llenar. Consulte página 9.</p> <p>Cambie el filtro de combustible.</p> <p>Drene; cambie con combustible limpio.</p> <p>Consulte página 9.</p> <p>Limpe o cambie la bujía por una Champion CJ8 o una equivalente con resistencia al calor correcta. Apriete el terminal.</p> <p>Reemplace el sistema de encendido.</p> <p>Consulte con su agente de servicio autorizado.</p>	<p>Filtro de combustible obstruido.</p> <p>Filtro de combustible obstruido.</p> <p>Agua en el combustible.</p> <p>Bujía defectuosa o terminal flojo.</p> <p>Falla en el sistema de encendido.</p> <p>Pistón trabado.</p> <p>Marcha mínima ajustada muy alta.</p> <p>Resorte del embrague está quebrado o el resorte patrón del embrague está gastado.</p> <p>Cambie los resortes/zapatillas como sea necesario, revise la marcha mínima.</p> <p>Fije la marcha mínima: 2,700 rpm (± 250) rpm (min^{-1}).</p> <p>El soporte del accesorio está flojo.</p> <p>El accesorio de corte gira con el motor en marcha mínima.</p> <p>El eje principal está doblado o los bujes están dañados o gastados.</p> <p>El eje no está instalado en el motor o en la caja de engranajes.</p> <p>Inspeccione y vuelva a instalar como sea necesario.</p> <p>Consulte con su agente de servicio autorizado.</p> <p>Eje quebrado.</p> <p>Caja de engranajes dañada.</p> <p>Consulte con su agente de servicio autorizado.</p>	<p>El motor se apaga abruptamente.</p> <p>El motor se apaga.</p> <p>El interruptor está en la posición de apagado.</p> <p>El tanque de combustible está vacío.</p> <p>El filtro de combustible obstruido.</p> <p>El tanque de combustible está vacío.</p> <p>El motor se apaga.</p> <p>Se hace difícil apagar el motor.</p> <p>Sobrecalentamiento debido a bujía incorrecta.</p> <p>Reemplace la bujía por una Champion CJ8 o una equivalente con resistencia al calor correcta.</p> <p>Motor sobrecalentado.</p> <p>Marcha mínima hasta que entre.</p> <p>El accesorio de corte gira con el motor en marcha mínima.</p> <p>El accesorio de corte gira con el motor en marcha mínima.</p> <p>El accesorio de corte gira con el motor en marcha mínima.</p> <p>Vibración excesiva.</p> <p>El accesorio está dañado o doblado.</p> <p>Inspeccione y cambie el accesorio como sea necesario.</p> <p>Apriete la caja de cambios firmemente.</p> <p>La caja de cambios está floja.</p> <p>El eje principal está doblado o los bujes están dañados o gastados.</p> <p>El cortador no gira.</p>

Que Revisar

¿Se está sobrecalentando el motor?

El operador esta sobre cargando

Posible Causa

La máquina.
La mezcla del carburador es muy pobre.

Remedio

Recorte el cable de nylon.
Corte más despacio.
Consulte con su agente de servicio autorizado.
Vuelva a llenar con combustible fresco, limpio y sin plomo con un octanaje de 87 o superior mezclado con aceite de mezcla para motores de 2 tiempos Shindaiwa en una proporción de 50:1 de gasolina/aceite.
Consulte con su agente de servicio autorizado.

Proporción de combustible inapropiada.

Ventilador, tapa del ventilador, aletas del cilindro están sucios o dañados.
Depósitos de carbón en el pistón o en el silenciador.

Consulte con su agente de servicio autorizado.
Consulte con su agente de servicio autorizado.

El motor funciona

bruscamente en cualquier velocidad. Puede tener humo negro y/o combustible sin usar en el escape.

Filtro de aire obstruido.

Limpie o reemplace el filtro de aire.

Bujía floja o dañada.

Apretete o reemplace la bujía por una Champion CJ8 o una equivalente con resistencia al calor correcta. Vuelva a encender.

Fuga de aire o línea de combustible obstruida.

Repare o cambie el filtro y/o la manguera de combustible.

Agua en el combustible.

Vuelva a llenar con combustible/mezcla de aceite fresca. Consulte página 9.

Pistón trabado.

Consulte con su agente de servicio autorizado.

Carburador defectuoso y/o diáfragma.

El motor está golpeando.

Sobrecalentamiento.

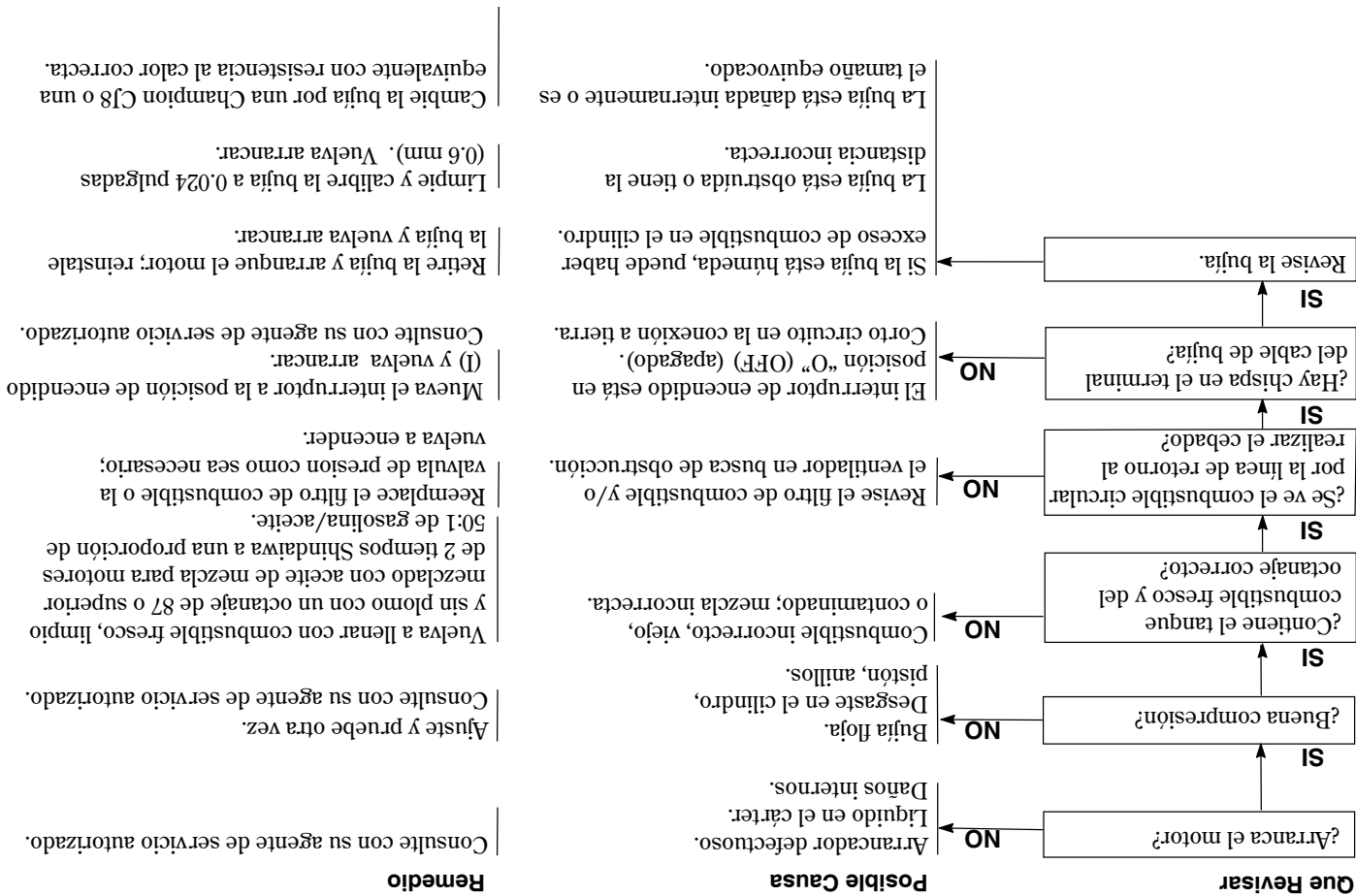
Consulte arriba.

Combustible inadecuado.

Revise el índice de octanaje del combustible. Revise si hay alcohol en el combustible. Vuelva a llenar si es necesario. Consulte página 9.

Depósitos de carbón en la cámara de combustión.

Consulte con su agente de servicio autorizado.



Cada 135 horas de operación, retire y limpie el silenciador.

!ADVERTENCIA!
Nunca opere la máquina con un silenciador o guardachispas dañado o faltante! De lo contrario, puede ser un riesgo de incendio y podría también causar daños a sus oídos.

1. Retire el capuchón de bujía.

2. Retire los dos tornillos de 4mm de la tapa del motor (ubicados encima de la caja del arrancador).

3. Afloje el tornillo de 5mm de la tapa del motor (el tornillo es cautivo) y levante la tapa del motor.

4. Retire los dos tornillos de 5mm del silenciador. Retire el tornillo inferior del silenciador, y luego levante el montaje del silenciador fuera del motor.

5. Retire el tornillo de cabeza allen del silenciador trasero, y mientras observa

Almacenamiento de Largo Plazo

Cada vez que la máquina no va a ser usada por 30 días o más, siga los siguientes procedimientos para preparar su almacenamiento:

- Limpie las partes externas.
- Drene todo combustible en el tanque.

!IMPORTANTE!

Todo combustible almacenado debe estar estabilizado con un estabilizador de combustible tal como STA-BIL, al menos que use aceite con estabilizador de combustible.

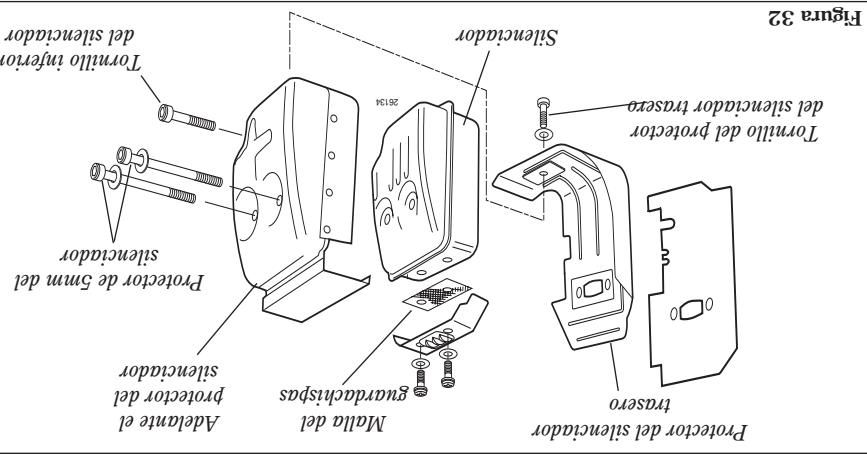
Afilado de Discos

Cuando los bordes de la cuchilla pierdan su filo, pueden ser afilados rápidamente con una lima. Para mantener la cuchilla balanceada, todos los bordes deben ser afilados uniformemente.

Disco Shindaiwa Tornado™

Para afilar los dientes de corte de un disco shindaiwa Tornado™, use una lima redonda de 7/32 pulgadas. Afile el borde superior al de una hoja de afeitar. La superficie superior de cada diente debe tener una inclinación de 30 grados. Consulte la figura 33.

Figura 32



la orientación de las partes, separe el protector del silenciador. Consulte la figura 32.

6. Retire la malla de guardachispas y limpie la con un cepillo de cerdas gruesas.

7. Suavemente toque el silenciador sobre una superficie de madera para deshacerse de cualquier carbón suelto.

!PRECAUCIÓN!

Gasolina almacenada en el carburador por períodos largos puede causar un arranque duro y puede conducir a un aumento en costo de servicio y mantenimiento.

- Retire el resto del combustible y en las tuberías de combustible y carburador.

1. Empuje la bombilla de cebado hasta que el combustible deje de pasar.

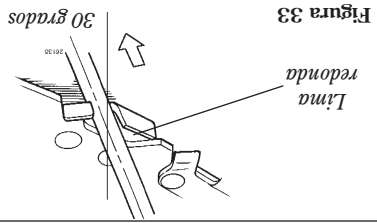
2. Arranque y mantenga prendido el motor hasta que pare de funcionar.

3. Repita los pasos 1 y 2 hasta que el motor ya no arranque.

!ADVERTENCIA!

Afile solamente los dientes de cortar. NO altere de ninguna forma el contorno del disco.

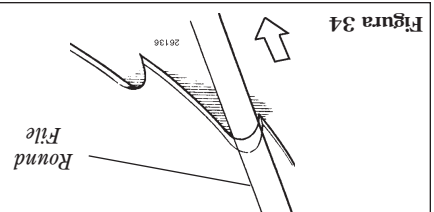
Figura 33



Discos de Dientes Múltiples

Use una lima redonda para mantener un radio de 0.04 a 0.06 pulgadas (1 a 1.5mm) en la base de cada diente. Los dientes deben quedar igualmente descentrados por cada lado.

Figura 34



- Retire la bujía y vierta aproximadamente 1/4 de onza de aceite de mezcla para motores de 2 tiempos en el cilindro a través del agujero de la bujía. Lentamente jale el arrancador 2 ó 3 veces para que el aceite se aplique uniformemente en el interior del motor. Reinstele la bujía.
- Antes de almacenar la máquina, repare o cambie cualquier pieza dañada o gastada.
- Retire el elemento del filtro de aire y limpie minuciosamente con agua y jabón. Deje que seque y vuelva a ensamblar el elemento.
- Almacene la máquina en un sitio limpio y libre de polvo.

!IMPORTANTE!

8. Inspeccione el escape del cilindro en busca de acumulación de carbón.

Si nota acumulación excesiva de carbón, consulte con su centro de servicio o distribuidor autorizado Shindaiwa.

9. Vuelva a ensamblar el silenciador en forma reversa al orden de desmontaje.

Mantenimiento cada 10/15-Horas

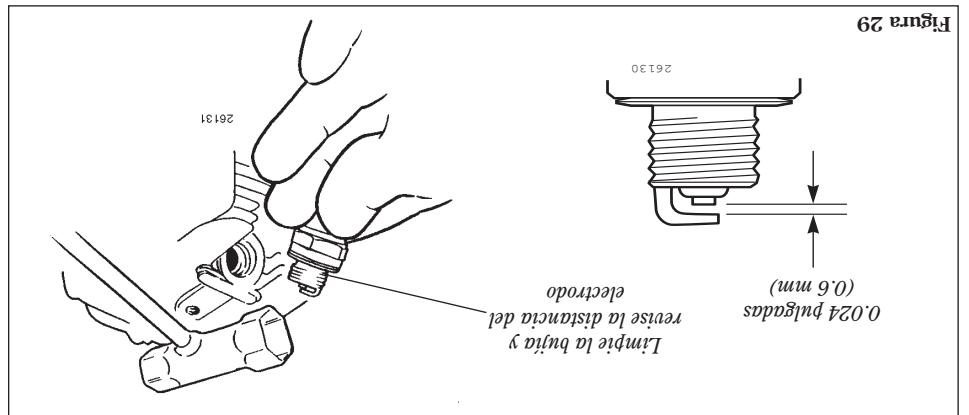


Figura 29

Cada 10 ó 15 horas de operación:
 Retire y limpie la bujía. Ajuste la distancia del electrodo a 0.024 pulgadas (0.6 mm). Si la bujía necesita ser reemplazada, use solamente una bujía Champion CJ8V o una bujía equivalente con resistencia al calor correcta. Consulte la figura 29.

!PRECAUCIÓN!

Antes de retirar la bujía, limpie alrededor de la misma para evitar que entre polvo o suciedad a las partes internas del motor.

Mantenimiento Cada 50-Horas

Cada 50 horas de operación:
 (más frecuentemente bajo condiciones sucias o polvorientas):

- Retire y limpie la tapa del cilindro y limpie la maleza y la suciedad en las aletas del cilindro.

- Retire el accesorio de corte, el soporte del accesorio de corte y el collar de la caja de engranajes.

Retire la tuerca del alimentador del costado de la caja de engranajes e introduzca grasa nueva a la caja hasta que la grasa usada salga.

Use solamente grasa a base de litio, tal como grasa Shindaiwa para Caja de Engranajes o su equivalente. Consulte la figura 30.

- Lubrique las estrías del eje principal.

- Use un gancho de alambre para extraer el filtro de combustible del tanque de combustible. Consulte la figura 31.

Retire y reemplace el elemento del filtro. Antes de reinstalar el filtro, inspeccione la condición de todo los componentes del sistema de combustible (manguera de alimentación, manguera del ventilador, ventilador, tapa y tanque). Si descubre daños, quebraduras o deterioración, retire la unidad de operación hasta que pueda ser inspeccionada o reparada por un técnico de servicio entrenado por Shindaiwa.

!PRECAUCIÓN!
 Asegure de no perforar la tubería de combustible con la punta del gancho de alambre, pues esta línea es delicada y se puede dañar fácilmente.

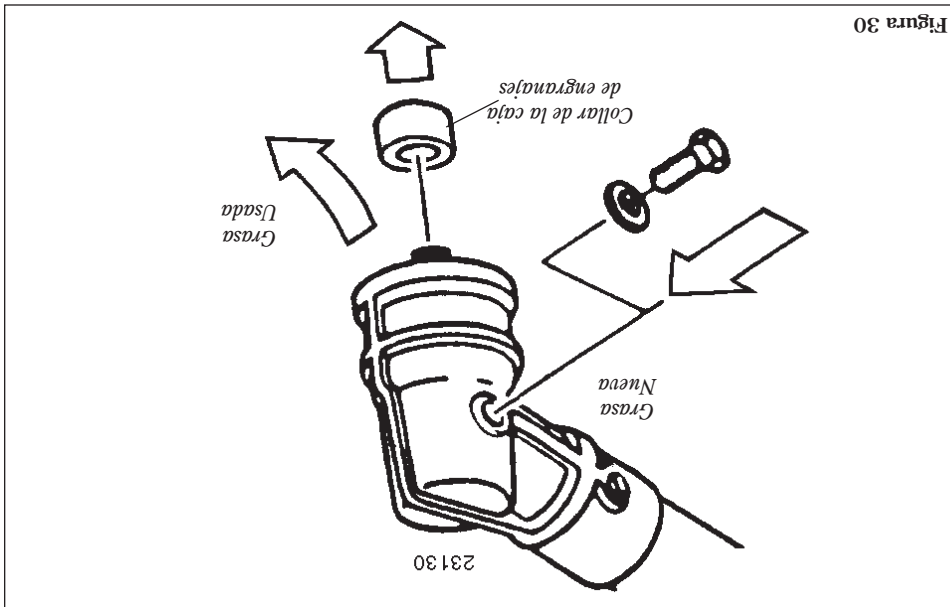


Figura 30

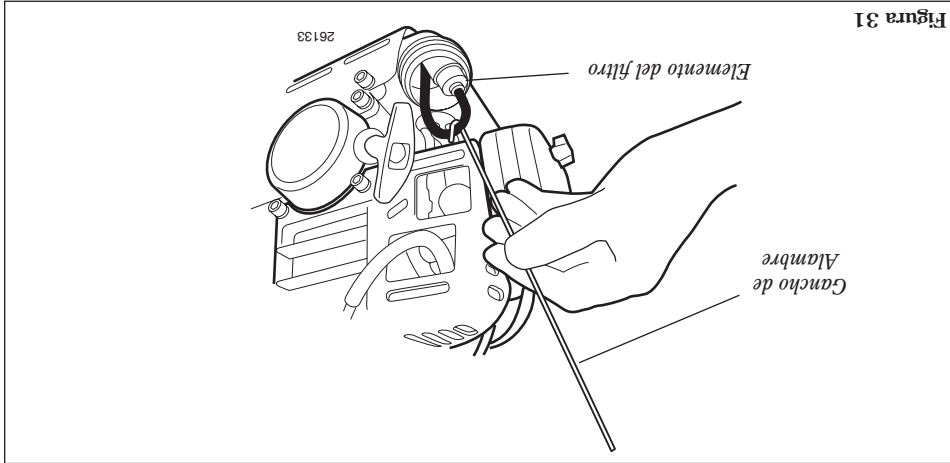



Figura 31

Mantenimiento General

¡IMPORTANTE!
 EL MANTENIMIENTO, REEMPLAZO O REPARACION DE LOS SISTEMAS Y DISPOSITIVOS DE CONTROL DE EMISION PUEDEN SER EFECTUADOS POR CUALQUIER ESTABLECIMIENTO O INDIVIDUO; SIN EMBARGO, LAS REPARACIONES DE GARANTIA DEBEN SER EFECTUADAS POR SU CENTRO DE SERVICIO O DISTRIBUIDOR AUTORIZADO POR Shindaiwa Corporation. EL USO DE PARTES QUE NO SON EQUIVALENTES EN RENDIMIENTO Y DURABILIDAD A LAS PARTES AUTORIZADAS PUEDEN AFECTAR LA EFECTIVIDAD DE SU SISTEMA DE CONTROL DE EMISION Y PUEDE INFLUENCIAR EL RESULTADO DE SU RECLAMO DE GARANTIA.

¡ADVERTENCIA!



Antes de efectuar mantenimiento, reparación o limpieza de la máquina, cerciórese de que el motor y el accesorio de corte estén completamente desconectados. Desconecte el cable de bujía antes de efectuar servicio de mantenimiento.

Mantenimiento Diario

Antes de cada día de trabajo, efectúe lo siguiente:

- Retire toda suciedad y despojo del motor, revise las aletas de entrada y el filtro de aire y límpielos de ser necesario.


Mantenimiento Cada 10-Horas

Cada 10 horas de operación (más frecuentemente bajo condiciones sucias o polvorientas):

- Retire el elemento del filtro de aire. Consulte la figura 28. Limpie o reemplácelo como sea necesario. Para lavar el elemento: Laveo meticulosamente con agua y jabón. Deje que seque antes de reinstalarlo.


¡PRECAUCIÓN!
 No opere esta máquina si el filtro de aire está sucio, dañado o si está húmedo.

¡ADVERTENCIA!




Cuchillas
 Mantenga los discos afilados y revise la condición del disco frecuentemente. Si el rendimiento de un disco cambia repentinamente, pare el motor y revise el disco en busca de rajaduras u otro daño. Reemplácelo si el disco está dañado. **¡IMEDIATAMENTE!**

¡ADVERTENCIA!



- Nunca repare un disco dañado soldándolo, enderezándolo o modificándolo su forma. Una vez alterada la operación y ocasionar lesiones personales serias.
- No use discos de corte de 2 dientes o discos de corte de 4 dientes en no aprobados por Shindaiwa en su desmalezadora o podadora Shindaiwa.
- Los discos de corte no son intercambiables entre las bordeadoras o desmalezadoras. El uso de cualquiera unidad con discos o accesorios no aprobados para la respectiva unidad pueden ser peligrosos y ocasionar lesiones graves.

¡ADVERTENCIA!



Los repuestos no estándar pueden causar daño y conducir a una lesión personal.

NOTA :
 El usar repuestos no estándar podría invalidar su garantía Shindaiwa.

Silenciador
 Esta máquina nunca debe ser operada con un guardachispas o silenciador defectuoso o faltante. Cerciórese de que el silenciador esté bien asegurado y en buena condición. Un silenciador usado o dañado es un riesgo de incendio y puede causar la pérdida de audición.

Bujía
 Mantenga la bujía y las conexiones de cable apretadas y limpias.

Sujetadores
 Cerciórese de que las tuercas, pernos y tornillos (a excepción de los tornillos de ajuste del carburador) estén apretados.

- Cuidadosamente, retire cualquier acumulación de suciedad o despojo del silenciador y del tanque de combustible. La acumulación de suciedad en dichas áreas puede ocasionar el sobrecalentamiento del motor, inducir el gasto prematuro o crear un riesgo de incendio.
- Revise que no falten tornillos y que el accesorio de corte esté firmemente asegurado.
- Revise la máquina entera en busca de goteo de combustible o grasa.

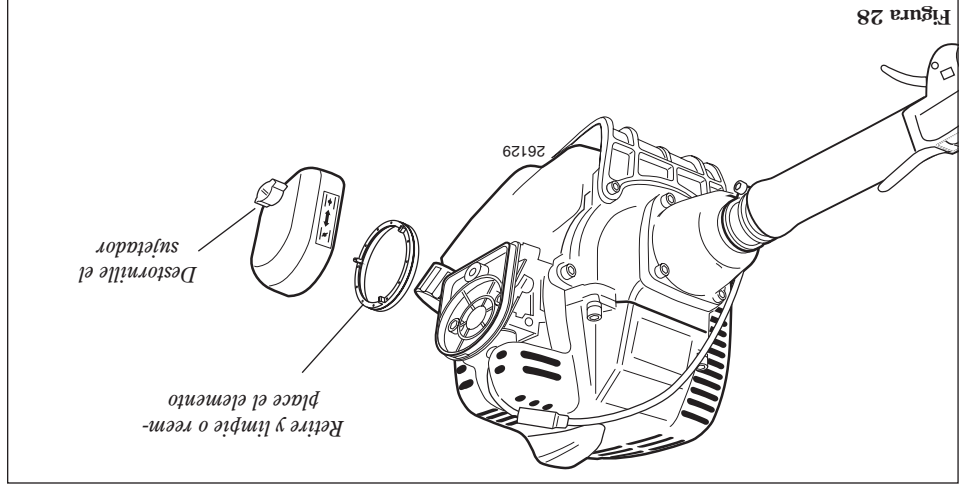


Figura 28

La correa de hombro ofrece protección adicional contra los rebotes de la cuchilla. Además, brinda un gran soporte y comodidad para una operación segura y eficiente. Cuando use una T231X con cuchilla, cerciórese que el mango y la correa de hombro estén ajustados a la talla del operador que usa la unidad.

Correa de Hombro Para Desmalezadora

Mango Tipo Bicicleta Para Desmalezadora

El mango tipo bicicleta para desmalezadora ayuda a prevenir que el operario se mueva hacia adelante o que la unidad se mueva hacia atrás, impidiendo así el contacto del cuerpo con el accesorio de corte. SIEMPRE MANTENGA EL MANGO ASEGUADO EN SU SITIO EN LA UNIDAD!

Alerta del Rebote de Disco y Protección Contra sus Efectos

El rebote de disco es un movimiento repentino de lado a lado o hacia atrás de la desmalezadora. Tal movimiento puede ocurrir cuando el disco se enreda o coje un objeto tal como ramas o troncos de árbol. ESTE CONSTANTEMENTE ALERTA DEL REBOTE DE DISCO Y PROTEJASE CONTRA SUS EFECTOS!

Rebote de Disco

- Antes de trabajar con una unidad equipada con un disco, siempre inspeccione y limpie los objetos en el área que puedan interferir o dañar el disco.
- NUNCA use un disco cerca de veredas, cercas, edificios u otros objetos que puedan causar lesiones o daños.
- NUNCA use un disco para ningún otro propósito aparte del cual ha sido diseñado.
- Cuando golpee un objeto sólido con un disco, siempre pare el motor y cuidadosamente inspeccione el disco en busca de daños. NUNCA OPERE LA DESMALEZADORA CON UN DISCO DAÑADO!
- Una unidad equipada con un disco debe estar equipada con un mango tipo bicicleta, así también como con un arnés o correa.
- SIEMPRE cerciore que el protector del accesorio de corte esté propiamente instalado antes de operar la unidad.

!ADVERTENCIA!

Usando un disco (T261X)

Velocidades de Operación del Motor

Opere el motor a máxima potencia mientras corte. Para mayor eficiencia de combustible, suelte el acelerador cuando voltee de regreso después de un corte.

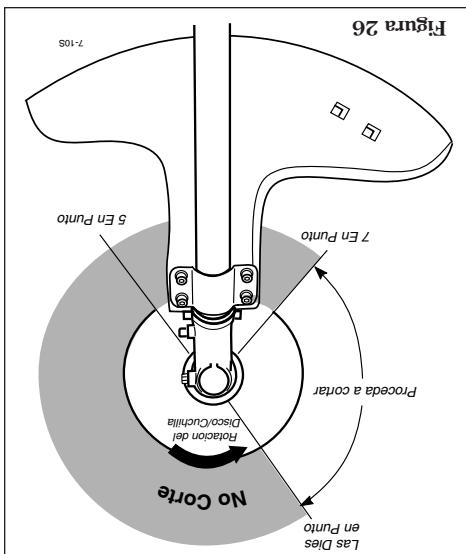
- Para evitar posibles daños al motor, no permita que la desmalezadora funcione a altas velocidades sin carga
- Evite operar el accesorio a velocidades altas bajas. De lo contrario, puede conducir a un desgaste rápido del embrague. Adicionalmente, la operación a baja velocidad tiende a hacer que el cabezal de corte se enrede con césped y despojos.

!ADVERTENCIA!

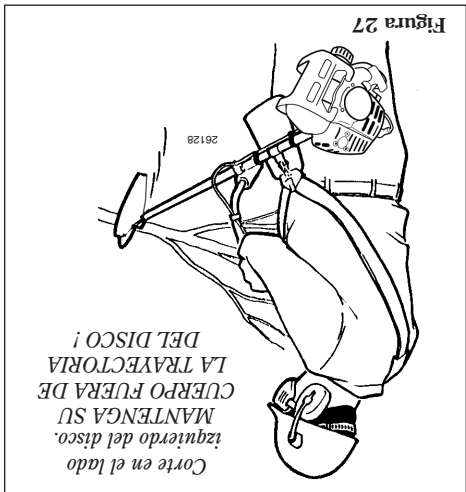
Cuando corte madera con un disco, presione el disco lentamente. Nunca golpee o choque un disco en rotación contra la madera.

!ADVERTENCIA!

NO USE discos de corte de dos dientes o discos shindaiwa con su desmalezadora.



El disco gira en dirección contraria a las agujas del reloj. Para máximo rendimiento y para reducir el ser golpeado por despojos, mueva el disco de derecha a izquierda mientras avanza en su trabajo. Ubique el disco de tal manera que los cortes se realicen entre las 7 horas y las 10 horas (agujas de un reloj). NO CORTE entre las 10 horas y 5 horas. Consulte la figura 26.



Cortes Verticales

Sostenga la desmalezadora con el disco a un ángulo de 90 grados con respecto al suelo, de forma que el borde inferior del disco gire hacia el operario. Mueva el disco de arriba para abajo a través del corte, y corte solamente con el borde inferior del disco. Consulte la figura 27.

!ADVERTENCIA!

Al efectuar cortes verticales, nunca permita que el disco sobrepase la altura de su cintura.

Use solamente repuestos y accesorios autorizados por Shindaiwa en su podadora Shindaiwa. No haga modificaciones a la unidad sin la aprobación escrita de Shindaiwa, Inc.

¡ADVERTENCIA!
El protector del accesorio de corte o equipo de protección no garantiza protección contra rebotes. USTED SIEMPRE DEBE PROTEGERSE DE DESPOJOS VOLANTES!

Correa de Arnés

Ajuste la correa de hombro o arnes de tal forma que la almohadilla descansa cómodamente sobre los lados de los hombros y que la trayectoria de corte del accesorio de corte esté paralelo al suelo. Asegure que todo los ganchos y dispositivos de ajuste estén asegurados.

T261

NOTA :

A pesar de que una correa de hombro no es requerida con el uso de podadoras de césped, una correa de hombro puede aumentar la comodidad para el operador durante períodos extensos de operación. Consulte la figura 23.

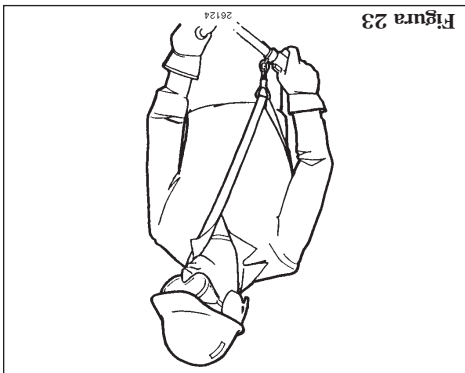


Figura 23

Para la operación adecuada, consulte siempre las instrucciones incluidas en el cabezal de corte. Entre los modelos de cabezales de corte disponibles se incluyen:

NOTA:

■ **Semi-Automático:** La línea de corte es indexada cuando el operador toca el suelo con el cabezal de corte durante el uso.

■ **Manual:** El operador mide manualmente la línea con la recortadora de césped completamente detenida.

■ **Fijo:** El operador debe apagar el motor y añadir manualmente nuevos largos de línea de corte.

■ **Cuchilla Flotante:** Este dispositivo, diseñado para cortar mala hierba o maleza ligera, incluye tres cuchillas de nylon atornilladas al cabezal a través de pivotes.

Herramientas adicionales pueden ser requeridas para montar los cabezales de Línea Fija o de cuchillas flotantes.

Corte de Césped – Máquinas Equipadas con Cabezal de Corte

¡PRECAUCIÓN!
No presione el cable de nylon contra árboles, cercas de alambre atascado o romper el cable.

Velocidades de Operación del Motor
Opere la máquina a aceleración máxima cuando corte césped.

¡PRECAUCIÓN!
Operación a bajas revoluciones por minuto puede conducir a la falla prematura del embrague.

¡PRECAUCIÓN!
Operación a bajas revoluciones puede conducir a la falla prematura del embrague.

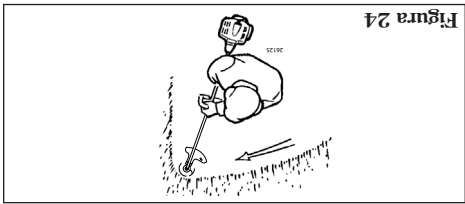


Figura 24

Recorte y Podado de Césped

■ **SIEMPRE** cerciórese de que el accesorio de corte esté apropiadamente instalado y firmemente apretado antes de usar.

■ **NUNCA** use un accesorio de corte rajado o doblado, reemplácelo con un util.

■ **SIEMPRE** cerciórese de que el cabezal encaje apropiadamente dentro del soporte. Si un cabezal apropiadamente instalado vibra, reemplácelo por uno nuevo y pruebe.

■ **NUNCA** opere la unidad sin el protector del accesorio de corte o sin equipo de protección.

■ **SIEMPRE** pare el motor inmediatamente y revise en busca de daños si golpea un objeto extraño o si la unidad se enreda. No opere con equipo dañado o quebrado.

■ **NUNCA** permita que el motor funcione a altas revoluciones sin carga. De lo contrario, podría dañar el motor.

■ **NUNCA** use la máquina con sujetadores o soportes de accesorios desgastados o dañados.

■ **SIEMPRE** pare el motor inmediatamente y revise en busca de daños si golpea un objeto extraño o si la unidad se enreda. No opere con equipo dañado o quebrado.

■ **NUNCA** permita que el motor funcione a altas revoluciones sin carga. De lo contrario, podría dañar el motor.

■ **NUNCA** use la máquina con sujetadores o soportes de accesorios desgastados o dañados.

■ **NUNCA** opere la unidad sin el protector del accesorio de corte o sin equipo de protección.

La T261X Operando Con Una Cuchilla

¡ADVERTENCIA!

Siempre use una correa de hombro cuando opere esta unidad con una cuchilla.

Una correa de hombro es también recomendada cuando use cable de nylon.

NOTA :

El usar una correa de hombro al operar esta unidad con una cuchilla, le permite mantener un control propio de la unidad y reduce la fatiga durante extensa operación.

Sostenga la podadora de tal forma que el cabezal esté en ángulo al área de corte. Para obtener máxima vida útil del cable de nylon, corte solamente con la punta del cable. Corte

césped moviendo el cabezal de izquierda a derecha. Mantenga

el cabezal horizontalmente. Consulte la figura 24.

Bordes

Incline el mango más o menos a 100° hacia la izquierda (desde la posición horizontal) y avance hacia adelante, sosteniendo la podadora verticalmente como se demuestra en la figura 25.

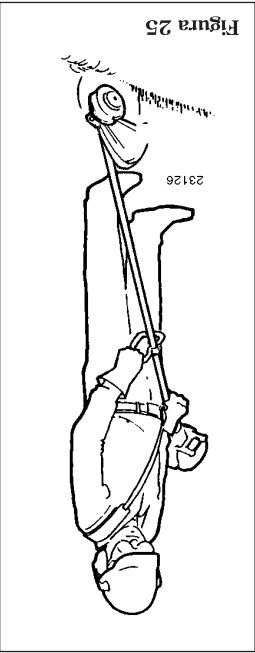


Figura 25

Arranque del Motor (continuación)

!ADVERTENCIA!

El accesorio de corte puede que gire cuando encienda el motor!

!ADVERTENCIA!

Nunca arranque el motor desde la posición de operación.

- Después de que arranque el motor, permita que caliente en marcha mínima por 2 ó 3 minutos antes de usar la máquina.
- Después de que caliente el motor, levante la máquina y asegure el arnés si así está equipada. Consulte la página 11.
- Adelantando el acelerador hace que el accesorio de corte gire más rápido; liberando el acelerador permite que el accesorio pare de girar. Si el accesorio de corte continúa girando cuando el motor regresa a marcha mínima, la velocidad mínima del carburador debe ser ajustada. (Consulte "Ajuste de Marcha Mínima" a continuación)

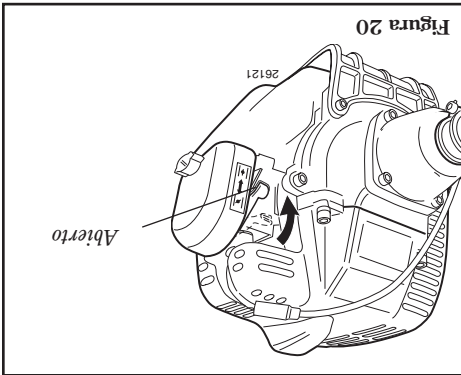


Figura 20

- 5. Cuando arranque el motor, mueva la palanca del cebador a la posición "OPEN" (abierto). Consulte la figura 16. (Si el motor para después del arranque inicial, cierre la palanca del cebador y vuelva a arrancar).

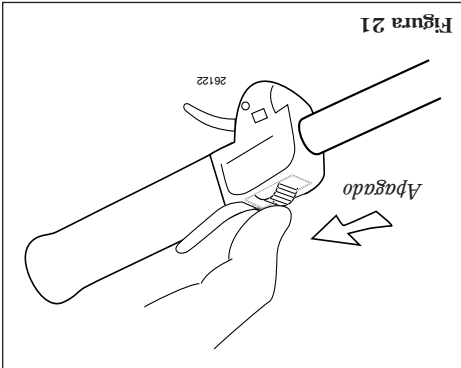


Figura 21

Ponga el motor en marcha mínima por dos o tres minutos antes de apagarlo, luego deslice el interruptor de ignición a la posición "O" (motor apagado).

Parada del Motor

Ajuste de Marcha Mínima del Motor

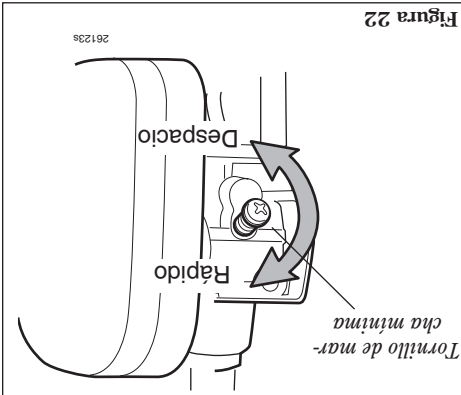


Figura 22

El motor debe retornar a marcha mínima cuando la palanca del acelerador es liberada. La marcha mínima es ajustable y debe ser suficientemente mínima para permitir que el embrague del motor libere el accesorio de corte.

Ajuste de Marcha Mínima



!ADVERTENCIA!

El accesorio de corte NUNCA debe girar en marcha mínima!

Si la marcha mínima no puede ser ajustada por el procedimiento descrito aquí, entónces devuelva la podadora a su distribuidor Shindaiwa para inspección.

1. Coloque la podadora en el suelo, luego encienda el motor y déjelo funcionar en marcha mínima durante 2 ó 3 minutos hasta que caliente.
2. Si el accesorio de corte gira mientras el motor está en marcha mínima, reduzca la marcha mínima, girando el tornillo de ajuste de marcha mínima en el sentido contrario a las agujas del reloj. Consulte la figura 22.
3. Si tiene un tacómetro disponible, la marcha mínima se debe ajustar a 2,750 rpm (± 250) rpm (min^{-1}).
4. Los ajustes de mezcla de carburador son preajustados en la fábrica y no pueden ser cambiados en el campo.

!PRECAUCIÓN!
Algunas gasolinas contienen alcohol como un oxigenante. Combustibles oxigenados pueden aumentar la temperatura del motor durante su funcionamiento. Bajo ciertas condiciones, combustible con alcohol puede reducir la calidad lubricante de algunos aceites de mezcla. Nunca use ningún combustible que contenga más de 10% de alcohol por volumen! Aceites genéricos y algunos aceites para motores fuera de borda pueden ser usados en su motor, y no deben ser usados en su motor Shindaiwa!

!PRECAUCIÓN!
Este motor está diseñado solamente para funcionar con una mezcla de 50:1 de gasolina sin plomo y aceite de mezcla. ISO-L-FC clasificado y también cumple o excede los requisitos de rendimiento de ISO-L-EGD. Shindaiwa One es recomendado para el uso en todo los motores Shindaiwa de baja emisión. Shindaiwa One también incluye el estabilizador de combustible.

- Use solamente gasolina fresca, limpia y sin plomo, con índice de octanaje de 87 o superior.
- Mezcle todo el combustible con aceite de mezcla para motores de 2 tiempos entrados por aire que cumpla o exceda aceites clasificados ISO-L-EDG y/o JASO FC a proporción de 50:1 gasolina/aceite.
- Ejemplos de cantidades de mezcla a proporción de 50:1
 - 1 galón de gasolina por 2,6 onzas de aceite de mezcla
 - 5 litros de gasolina por 100 ml de aceite de mezcla

Llenando el Tanque de Combustible

!ADVERTENCIA!
Disminuya el riesgo de incendios!

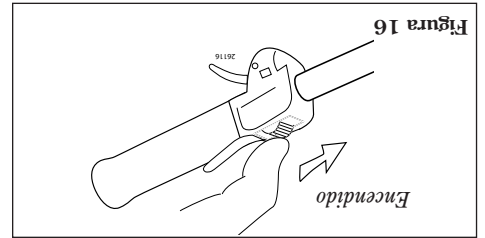


- SIEMPRE detenga el motor y permita que enfrie antes de volver a llenar el tanque de combustible.
- Limpie todo derrame de combustible y aje el motor por lo menos 10 pies (3 metros) del depósito de combustible antes de volver a prender el motor!
- Nunca comience u opere esta máquina si existe una pérdida de combustible.

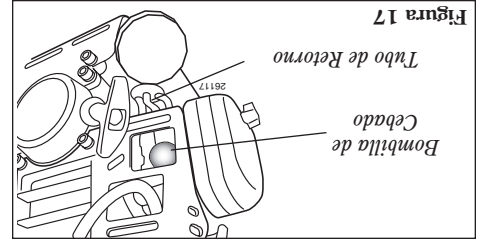
- Nunca encienda u opere esta máquina si el carburador, líneas de combustible y/o tapa de tanque o tanque de combustible se encuentran dañados.
- Nunca fume o encienda fuegos cerca del motor o del combustible!
- Nunca coloque material inflamable cerca del silenciador del motor!
- Nunca opere el motor sin antes comprobar que el silenciador y el guardachispas estén funcionando adecuadamente.

Arranque del Motor

!IMPORTANTE!
El encendido del motor está controlado por un interruptor de dos posiciones montado en el mango del acelerador indicado "I" (encendido o arranque) y "O" (apagado o pare).

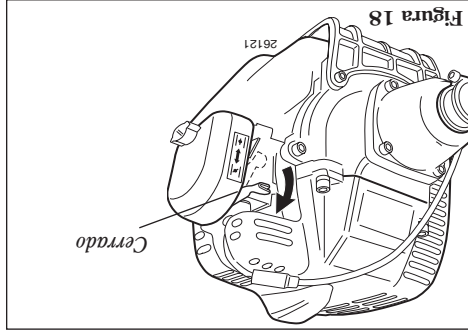


1. Deslice el interruptor hacia la posición 'I' (motor encendido).



2. Presione la bombilla de cebado hasta que vea pasar combustible por el tubo de retorno transparente.

!IMPORTANTE!
La bombilla de cebado solamente empuja combustible a través del carburador. Presionando repetidamente la bombilla de cebado no ahogará el motor con combustible.



3. Posicione la palanca del cebador en la posición CLOSED (cerrado) si el motor está frío.

!IMPORTANTE!
Mezcle solamente el combustible necesario para uso inmediato! De ser necesario almacenar el combustible por más de 30 días, y si no se está usando aceite con estabilizador de combustible EGD o JASO FC. El uso de aceites de mezcla no autorizados puede conducir a excesos de depósitos de carbón.

1. Posicione la máquina sobre una superficie plana y nivelada.
2. Retire cualquier suciedad o despojos alrededor de la tapa de combustible.
3. Retire la tapa de combustible y llene el tanque con combustible fresco y limpio.
4. Reinstale la tapa de combustible y apriete firmemente.

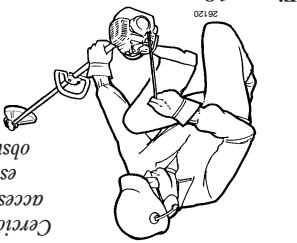


Figura 19
Cerciórese de que el accesorio de corte esté libre de obstrucciones!

4. Mientras sostiene el tubo exterior firmemente con una mano, jale despacio la cuerda del arrancador recular hasta que sienta resistencia, luego jale rápidamente para arrancar el motor.

!PRECAUCIÓN!
No jale el arrancador recular hasta el final de la cuerda. De lo contrario, puede dañar el arrancador.

Ensamblaje: Disco/Cuchilla T261X

Monte la Cuchilla de Corte

1. Alinee la muesca en el Soporte "A" con la muesca correspondiente en el borde de la caja de engranajes y luego insertando la llave hexagonal a traves asegurando temporalmente el eje de salida de la caja de engranajes y luego deslice el reten de seguridad fuera del centro. Consulte la figura 13.
2. Deslice el reten de seguridad fuera del centro. Consulte la figura 13.
3. Encaje la cuchilla sobre el reten de seguridad y luego centrolo sobre el borde del Soporte "A". Consulte la figura 14.

!PRECAUCIÓN!

Instale el disco de tal manera que su superficie impresa sea visible al operador cuando la unidad esté en la posición normal de operación.

!ADVERTENCIA!

El disco debe encajar en forma plana contra el borde del sujetador. La muesca de montaje del disco debe estar centrada sobre el patrón elevado en el sujetador de disco A.

NOTA:

Cuando instale ciertos discos, pueda que sea necesario retirar temporalmente el reten de seguridad.

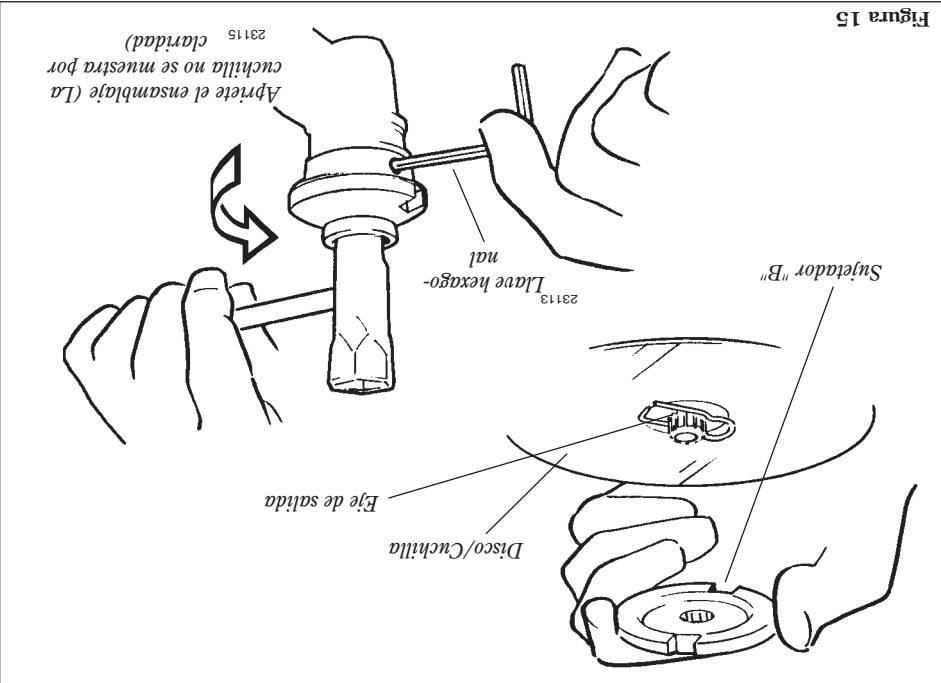
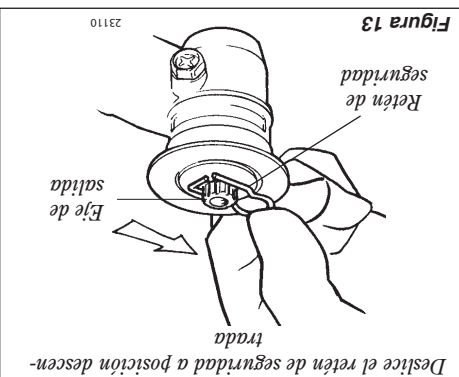
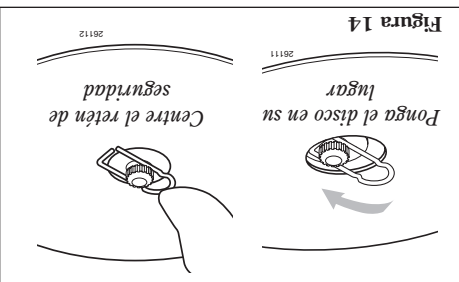
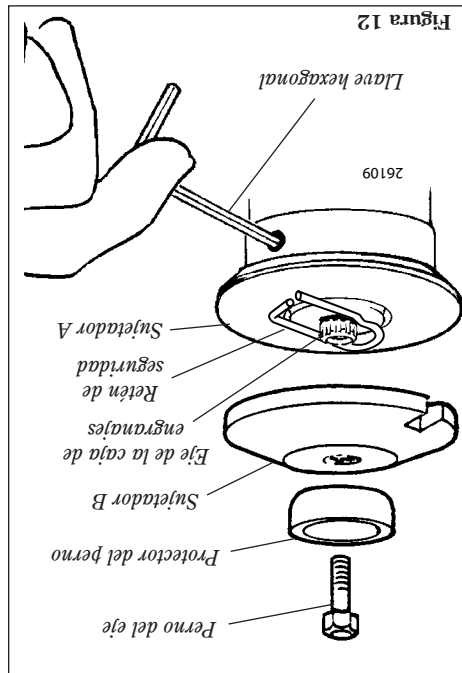
4. Asegure el disco en su lugar centrando el reten de seguridad en el eje de salida. Consulte la figura 14.

!ADVERTENCIA!

Nunca opere la T261 sin el reten de seguridad instalado.

!IMPORTANTE!

El reborde en el sujetador B debe rodear completamente el reten de seguridad, y ambos sujetadores deben estar planos contra la superficie del disco.



5. Instale el sujetador B en el eje de salida. Consulte la figura 15. El reborde en el soporte debe cubrir completamente el reten de seguridad, y debe encajar apretadamente contra la cuchilla.
6. Instale el protector de perno y luego el perno de retencion de la cuchilla. Usando la llave de bujía/destornillador combinado, apriete el perno firmemente en direccion contraria a las agujas del reloj.
7. Retire la llave hexagonal.

La T261X debe estar ahora completamente ensamblada y lista para ser usada con una cuchilla.

Ensamblaje: Protector del accesorio de corte

Instale el protector del accesorio de corte

1. Inserte el protector del accesorio de corte entre el tubo exterior y la placa de montaje. Consulte la figura 9.

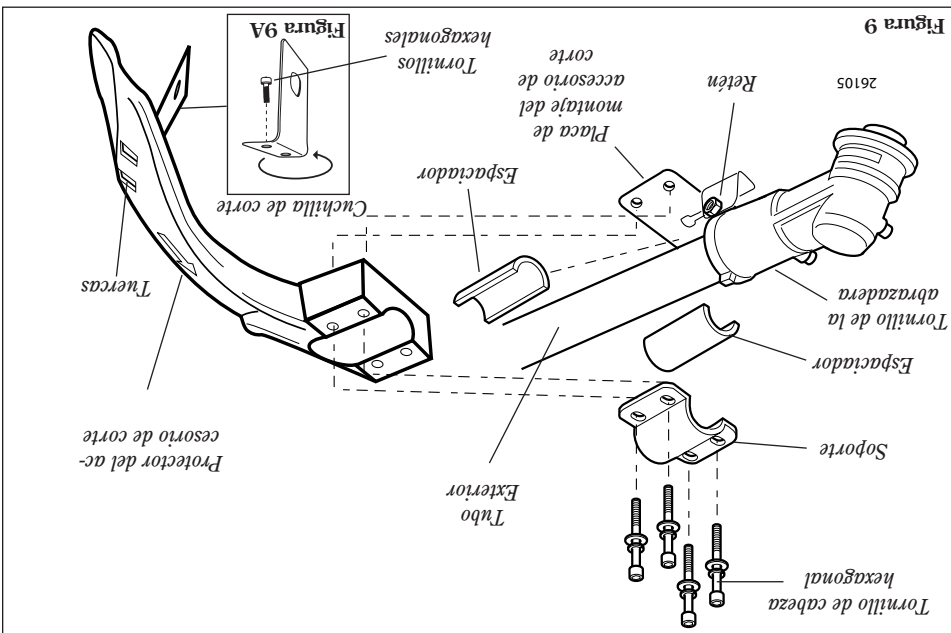
NOTA:

Pueda que sea necesario aflojar el retén y el tornillo sujetador para ajustar la placa de montaje del protector del accesorio de corte. Coloque los dos espaciadores y el soporte sobre el tubo exterior e instale sin ajustar los cuatro tornillos de cabeza allen para asegurar el protector de la cabeza.

!PRECAUCIÓN!
Asegúrese de que el tornillo sujetador y el retén estén debidamente apretados antes de apretar los cuatro tornillos de cabeza allen.

3. Apriete los cuatro tornillos de cabeza allen para asegurar el protector del accesorio de corte.

!ADVERTENCIA!
NUNCA opere la unidad sin el protector del accesorio de corte instalado y asegurado firmemente.



Para cambiar la posición de la cuchilla de corte.

1. Retire los dos tornillos con una llave hexagonal de 4mm. Consulte la figura 9A.

NOTA:

Tenga cuidado y no pierda las dos tuercas en el protector del accesorio de corte, las tuercas no están capturadas.

2. Gire la cuchilla de corte. Consulte la figura 9A.

3. Reinstale los dos tornillos y apriete los firmemente.

Ensamblaje: Cabezal de Corte

Instalación del Cabezal de Corte

1. Voltee la máquina de tal forma que el eje de salida de la caja de cambios esté cara arriba.
2. Retire y desesche la tapa protectora de plástico negro del eje de salida. Consulte la figura 10.
3. Gire el soporte hasta que el hueco en el soporte se alinee con la muesca en la caja de cambios. Use el lado largo de la llave hexagonal para asegurar el soporte y el eje de salida. Consulte la figura 10.
4. Mientras sostiene la llave hexagonal, enrósque el cabezal de corte sobre el eje de salida, girando en dirección contraria a las agujas del reloj. Usando presión manual solamente, apriete el cabezal de recorte firmemente en el eje de salida.

!IMPORTANTE!

El cabezal de corte tiene una rosca izquierda. Para retirarlo, gire el cabezal en dirección de las agujas del reloj.

5. Retire la llave hexagonal.

6. Ajuste el largo de la línea de corte para que alcance no más allá de la cuchilla de corte en el protector. Recorte el largo correcto si es necesario.



!ADVERTENCIA!

Una podadora de grama normal con mango circular NUNCA debe ser operada con accesorios tipo cuchilla. Para usar cuchilla, la podadora debe estar equipada con un mango tipo bicicleta frente del operario para reducir el riesgo de que el operario entre en contacto con el accesorio de corte (Norma ANSI B175.3). Cuando use una cuchilla, la unidad debe estar equipada con un arnés o correa.

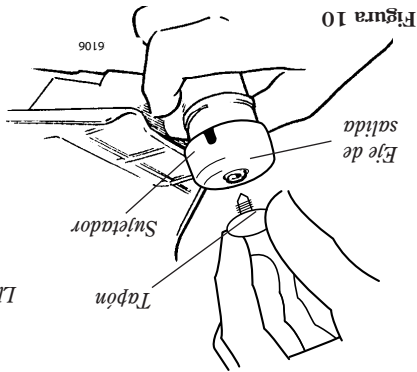
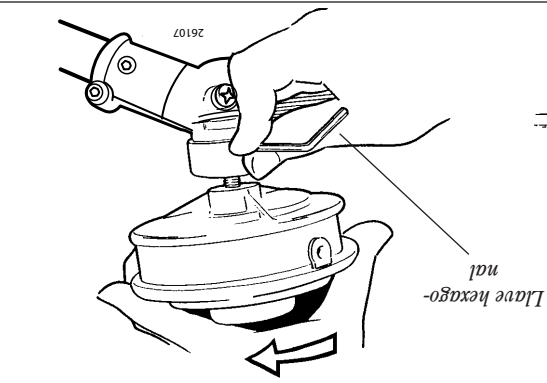


Figura 10



T261X

Figura 11

La unidad debe ahora estar completamente ensamblada y lista para ser usada con un cabezal.

Ensamblaje y Ajustes

Esta unidad viene completamente ensamblada con la excepción del accesorio de corte y el protector del accesorio de corte.

Antes de Ensamblar

Antes de ensamblar, cerciórese de que tenga todos los componentes necesarios para armar una máquina completa e inspeccione la unidad y componentes en busca de daños.

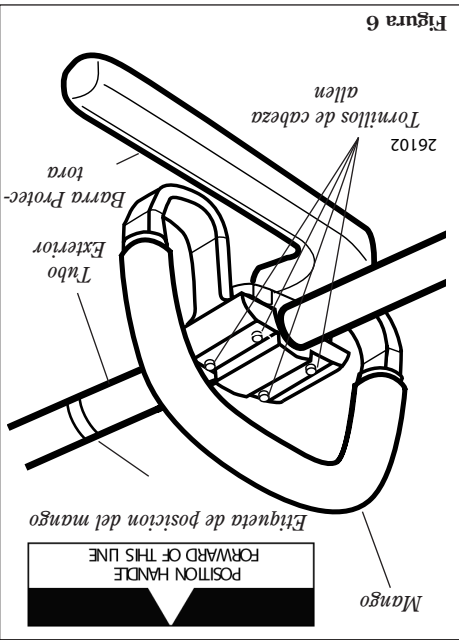
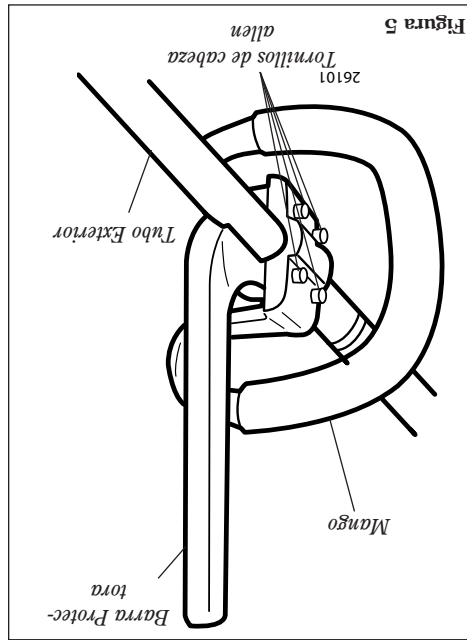
- Ensamblaje del motor y eje
- Protector del Accesorio de Corte
- Accesorio de corte
- Kit conteniendo el soporte y utensillos de metal para montar el protector del accesorio de corte, este manual del propietario/operador y juego de herramientas para mantenimiento rutinario. Los kits de herramientas varían por modelo y pueden incluir una llave hexagonal, llave bujía y destornillador, y una llave inglesa.

Los términos "izquierda", "mano izquierda", y "LH"; "derecha", "mano derecha", y "RH"; "delantera" y "trasera", indican direcciones desde el punto de vista del operador durante la operación normal de este producto.

¡IMPORTANTE!

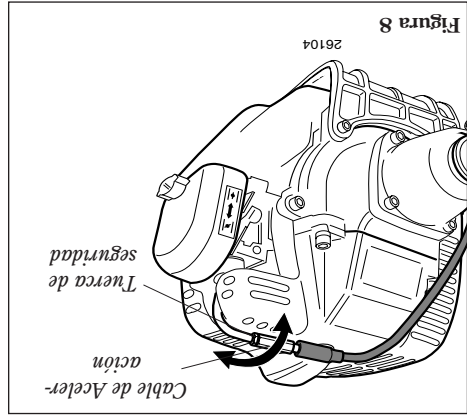
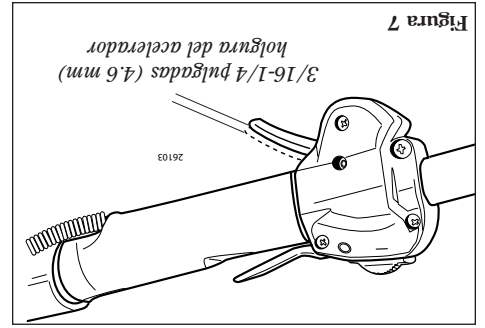
Mango

1. La fábrica instala el mango en el tubo exterior y lo posiciona en la posición de apagado. Consulte la figura 5.
2. Aloje los cuatro tornillos de cabeza allen en el mango y rote el mango hasta que la barra protectora esté posicionada horizontalmente al lado izquierdo de la máquina. Consulte la figura 6.
3. Posicione el mango hacia adelante a la posición más cómoda para el operador (usualmente a 10 pulgadas más allá de la caja del acelerador).
4. Asegure el mango ajustando alteradamente los cuatro tornillos de cabeza allen en forma diagonal o cruzada.



Ajuste la holgura del acelerador

La holgura del gatillo debe ser aproximadamente de 3/16-1/4 pulgadas (4.6 mm). Consulte la figura 7. Cerciórese que el gatillo de aceleración opere suavemente sin trabarse. Si es necesario ajustar la holgura, siga los procedimientos e ilustraciones a continuación.



1. Aloje las tuercas trabadoras del cable de aceleración y ajuste hacia adentro o hacia afuera para lograr una holgura propia de 3/16-1/4 pulg (4.6 mm). Consulte la figura 8.
2. Ajuste las tuercas trabadoras.

T261 Peso sin combustible (sin accesorios).....	12,8 libras/5,8 kg
T261X Peso sin combustible (sin accesorios).....	13,1 libras/5,9kg
Modelo de motor.....	Shindaiwa S260C
Tipo de motor.....	2 tiempos, catalizador, cilindro vertical, enfriado por aire
Díametro x Carrera.....	1,3 x 1,2 pulg./32 mm x 30 mm
Cilindrada.....	1,5 pulg. Cúbicas/24,1cc
Potencia Máxima.....	1,2 HP/0,9 kW @7500 rpm (min-1)
Combustible/Aceite.....	50:1 con ISO-L-EGD o JASO FC
Tipo de Carburador.....	TK DPN, tipo diafragma
Capacidad del Tanque de Combustible.....	24,3 onzas/720 ml
Sistema de Encendido.....	Transistor controlado
por una pieza electrónica	

Especificaciones sujetas a cambio sin previo aviso.

* El cumplimiento de emisiones EPA referido en la etiqueta en el motor, indica el número de horas de operación por la cual el motor ha demostrado cumplir con los requisitos federales de emisiones. Categoría C = 50 horas (Moderado), B = 125 horas (Intermedio) y A = 300 horas (Extendido).

Shindaiwa
 * cumple o excede estas especificaciones y es recomendado para todo los productos de Shindaiwa.

Champion CJ8Y Buja..... Elemento no reversible de uso pesado

Filtro de Aire.....

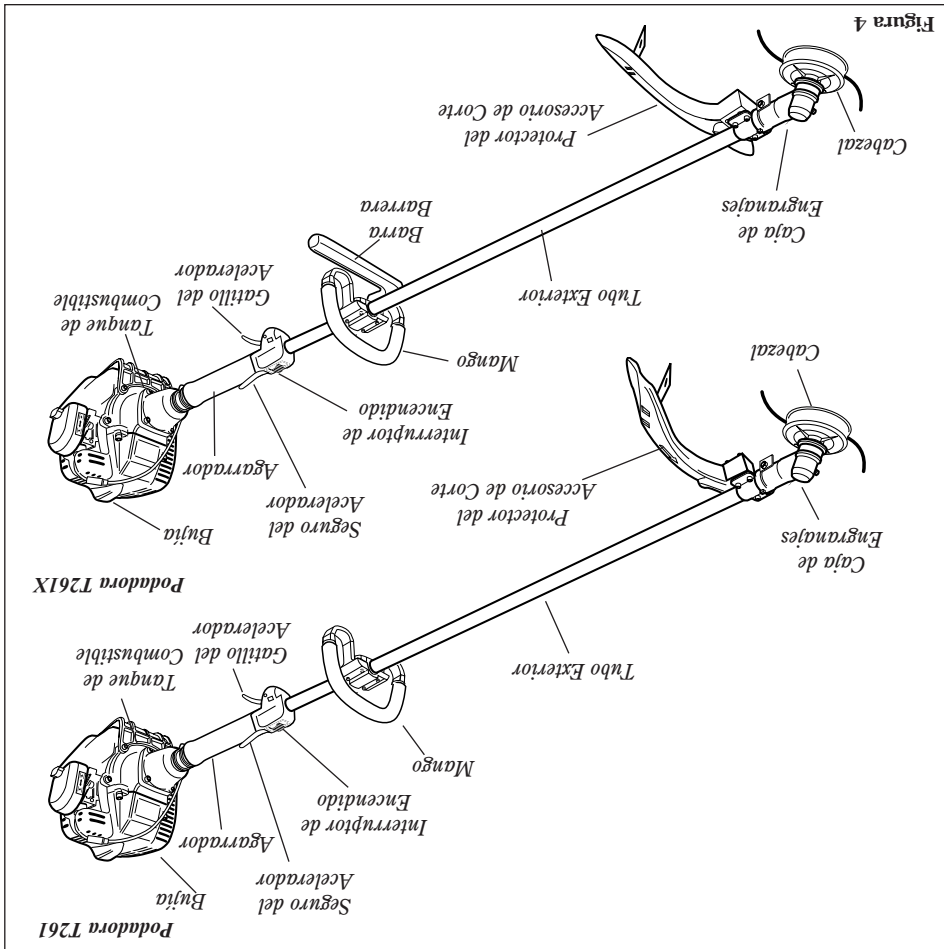
Metodo de Arranque..... Interruptor

Metodo de Parada..... Automática, embrague centrífugo

Tipo de Transmisión..... con engranajes helicoidales

Cumplimiento con Regulaciones de EPA*..... Categoría A

Especificaciones



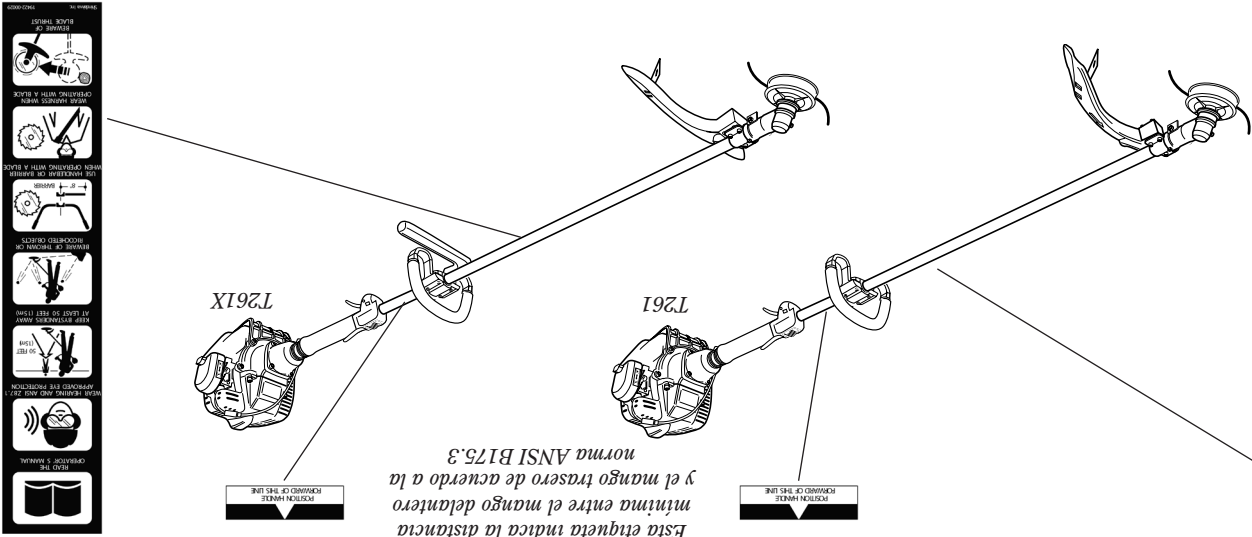
Descripción del Producto

Use las ilustraciones como guía, familiarícese con esta unidad y sus varios componentes. Consulte la figura 4. Conociendo la unidad le ayudará a obtener alto rendimiento, vida útil más prolongada y operación con seguridad.

!ADVERTENCIA!

No haga modificaciones o alteraciones no autorizadas a ninguna de estas máquinas ni a sus componentes.

Figura 3



Esta etiqueta indica la distancia mínima entre el mango delantero y el mango trasero de acuerdo a la norma ANSI B175.3

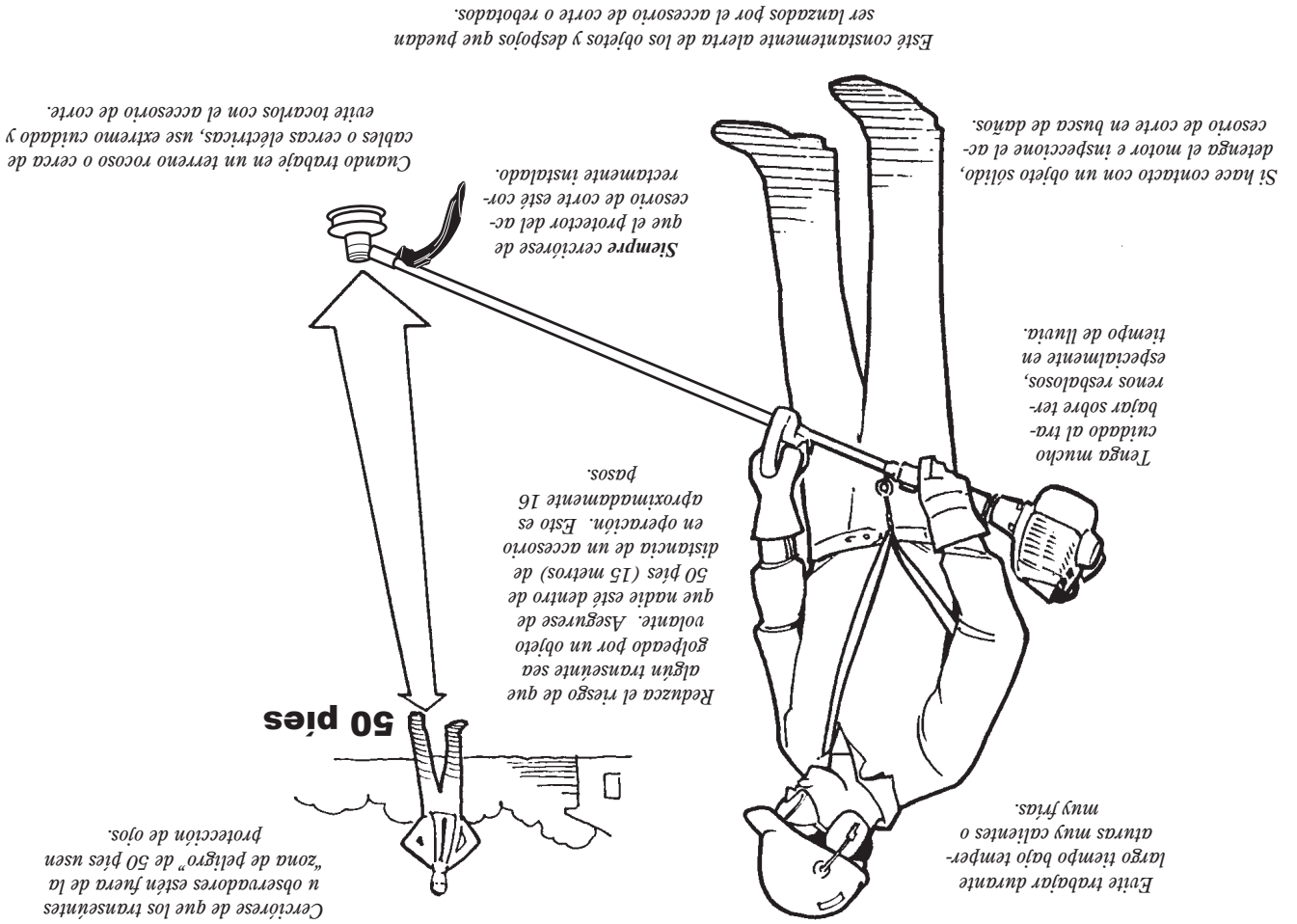
Etiquetas de Seguridad y de Información de Operación: Asegúrese que toda las etiquetas estén libres de daños y legibles. Reemplace inmediatamente etiquetas dañadas o faltantes. Etiquetas nuevas están disponibles en su centro de servicio local autorizado de Shindaiwa.

¡IMPORTANTE!

Etiquetas de Seguridad



Figura 2



Evite trabajar durante largo tiempo bajo temperaturas muy calientes o muy frías.

Tenga mucho cuidado al trabajar sobre terrenos resbalosos, especialmente en tiempo de lluvia.

Si hace contacto con un objeto sólido, detenga el motor e inspeccione el accesorio de corte en busca de daños.

Siempre cerciórese de que el protector del accesorio de corte esté correctamente instalado.

Reduzca el riesgo de que algún transeúnte sea golpeado por un objeto volante. Asegúrese de que nadie esté dentro de 50 pies (15 metros) de distancia de un accesorio en operación. Esto es aproximadamente 16 pasos.

Cuando trabaje en un terreno rocoso o cerca de cables o cercas eléctricas, use extremo cuidado y evite tocarlos con el accesorio de corte.

Cerciórese de que los transeúntes u observadores estén fuera de la "zona de peligro" de 50 pies usen protección de ojos.

Este constantemente alerta de los objetos y despojos que puedan ser lanzados por el accesorio de corte o rebotados.

de Seguridad El Operario Debidamente Equipado

Trabaje con cuidado
 Podadoras Shindaiwa operan a velocidades altas y pueden causar daños o lesiones serias si son mal usadas o abusadas. Nunca permita que una persona sin entrenamiento o instrucción opere esta unidad!

!ADVERTENCIA!
 Nunca instale accesos-rios no autorizados. No use accesorios no aprobados por Shindaiwa en esta unidad.

Mantengase Alerta
 Usted debe estar en optimas condiciones fisica y mental para operar esta maquina en forma segura.

!ADVERTENCIA!
 Nunca opere ninguna maquina motorizada si esta cansado o si esta bajo la influencia de alcohol, drogas o medicamentos o cualquier otra sustancia que pueda afectar su habilidad y juicio.

!ADVERTENCIA!
 Disminuya El Riesgo de Incendios.

- NUNCA fume ni encienda fuegos cerca del motor.
- SIEMPRE pare el motor y permita que se enfríe antes de volver a llenar el tanque. Evite sobrellenar el tanque y limpie cualquier derrame de combustible.

- SIEMPRE : inspeccione la máquina por pérdidas de combustible, antes de cada uso. Durante cada llenado, verifique posibles pérdidas alrededor de la tapa o tanque de combustible. Si existen pérdidas de combustible evi- perdas, pare inmediatamente el motor. Pérdidas de combustible deben de ser reparadas antes de cada uso.

- SIEMPRE aleje la máquina del área de combustible o de otros materiales inflamables antes de arrancar el motor.
- NUNCA coloque materiales inflamables cerca del silenciador de la máquina.
- NUNCA opere el motor sin la malla del guardachispas en su lugar.

Use ropa de su talla para proteger su piernas y brazos. Los guantes siempre proveen protección adicional y son altamente recomendados. No use ropa holgada o joyas que puedan atascarse en la máquina o en la vegetación. Amárrese el caballo largo de tal forma que esté sobre el nivel de los hombros. NUNCA use pantalones cortos.

Use un protector auditivo y un casco o sombrero. Siempre use protección para los ojos tal como lentes de seguridad para protegerse de objetos lanzados. Siempre opere con ambas manos sujetando el mango firmemente. Manténgase alejado de la línea de corte o disco en rotación en todo momento, y nunca levante un accesorio en rotación más arriba de su cintura.

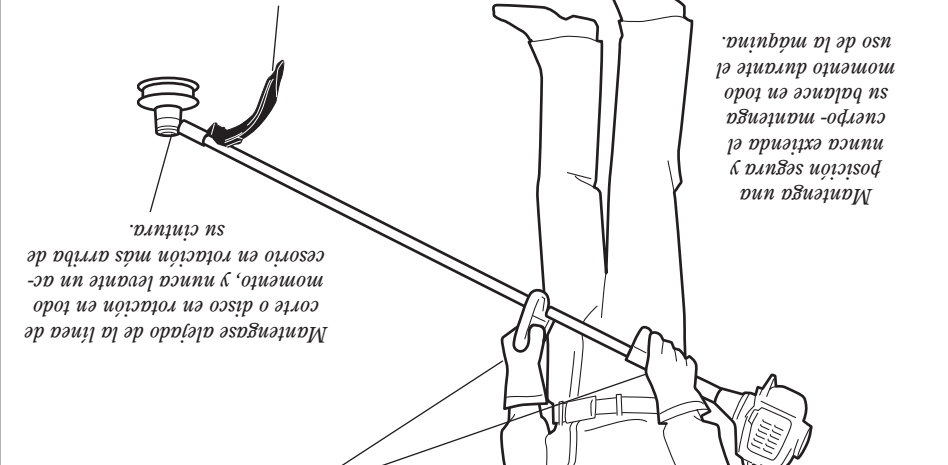


Figura 1

!ADVERTENCIA!
 Use Buen Juicio!

- SIEMPRE use protección para los ojos como escudo contra objetos lanzados.
- NUNCA opere el motor cuando transporte la unidad.
- NUNCA opere la unidad en el interior. Cerciórese que siempre haya buena ventilación. El humo o gases del escape del motor pueden causar serias lesiones o la muerte.
- SIEMPRE mantenga su área de trabajo libre de basura u objetos que pueden rebotar contra usted o contra transeúntes.
- SIEMPRE use el accesorio de corte apropiado.
- SIEMPRE pare el motor inmediatamente si repentinamente empieza a vibrar. Inspeccione el accesorio de corte por partes quebradas, faltantes o instaladas incorrectamente.
- NUNCA extienda el cable de nylon más allá de lo especificado para su máquina.
- SIEMPRE mantenga la máquina lo más limpia posible. Manténgala libre de vegetación, barro, etc.
- SIEMPRE sujete la máquina firmemente con ambas manos cuando corte o recorte, y mantenga el control en todo momento.
- SIEMPRE mantenga los mangos limpios.
- SIEMPRE desconecte el cable de bujía antes de hacer mantenimiento a la máquina.
- SIEMPRE, si el disco/cuchilla se enreda en un corte, apague el motor inmediatamente. Saque la rama o árbol para liberar el disco/cuchilla.

Introducción

La Podadora Shindaiwa Serie T261 ha sido diseñada y construida para suministrar un rendimiento superior sin comprometer calidad, comodidad ni durabilidad. Los motores Shindaiwa representan la tecnología líder de motores de alto rendimiento, de poco peso y pequeña cilindrada con excepcional alta potencia. Como propietario/operario, usted no tardará en comprobar que Shindaiwa es la única máquina en esta clase!

!IMPORTANTE!

La información contenida en este manual describe unidades disponibles a la fecha de su publicación.

Shindaiwa Inc. se reserva el derecho de realizar cambios a sus productos sin previo aviso, y sin la obligación de hacer modificaciones a máquinas fabricadas previamente.



!ADVERTENCIA!

Las emisiones emitidas por el tubo de escape de este producto contienen sustancias químicas que en el estado de California son consideradas como causantes de cáncer, defectos congénitos u otros efectos nocivos a la reproducción humana.

Contenido

Página

Declaraciones de Seguridad	2
Información de Seguridad	3
Etiquetas de Seguridad	4
Descripción del Producto	5
Especificaciones	5
Ensamblaje y Ajustes	6
Combustible	9
Arranque del Motor	9
Parada del Motor	10
Ajuste de Marcha Mínima	10
Verifique de la Condición de la Unidad	11
Correa de Arnes	11
Corte de Césped con	11
Usando un Disco (T261X)	12
Mantenimiento	13
Almacenamiento de Largo Plazo	15
Guía Diagnóstico	16
Garantía del Sistema de Emisiones	19

Declaraciones De Seguridad

A través de este manual se encuentran "declaraciones de seguridad" especiales.



!ADVERTENCIA!

Toda información precedida por un símbolo triangular de advertencia y la palabra **ADVERTENCIA!** contiene información que se deben cumplir para evitar lesiones.

!PRECAUCIÓN!

Toda información precedida por la palabra **PRECAUCIÓN!** contiene información que se debe cumplir para evitar daños mecánicos.

!IMPORTANTE!

Toda información precedida por la palabra "IMPORTANTE" contiene información especial y significativa.

NOTA:

Toda información precedida por la palabra "NOTA" contiene información útil que puede hacer su trabajo más fácil.



Lea y siga las recomendaciones de este manual del operario. De no hacerlo podrá resultar en lesiones graves.



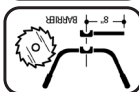
Use protección para los ojos y protección para los oídos en todo momento que este operando esta máquina.



Mantenga a los transeúntes a una distancia mínima de 15 metros (50 pies) mientras la máquina este en operación.



Manténgase alerta por objetos lanzados o rebotes.



No opere esta unidad con un disco/cuchilla al menos que este equipada con un mango aprobado por Shindaiwa.



Siempre use un arnés cuando opere esta unidad con disco/cuchilla. Un arnés también es recomendado cuando use cable de nylon.



Si esta unidad se usa como una desmalezadora, manténgase alerta por los rebotes del disco. Un disco atascado puede causar movimientos repentinos y puede que el operador pierda control de la máquina.

!IMPORTANTE!

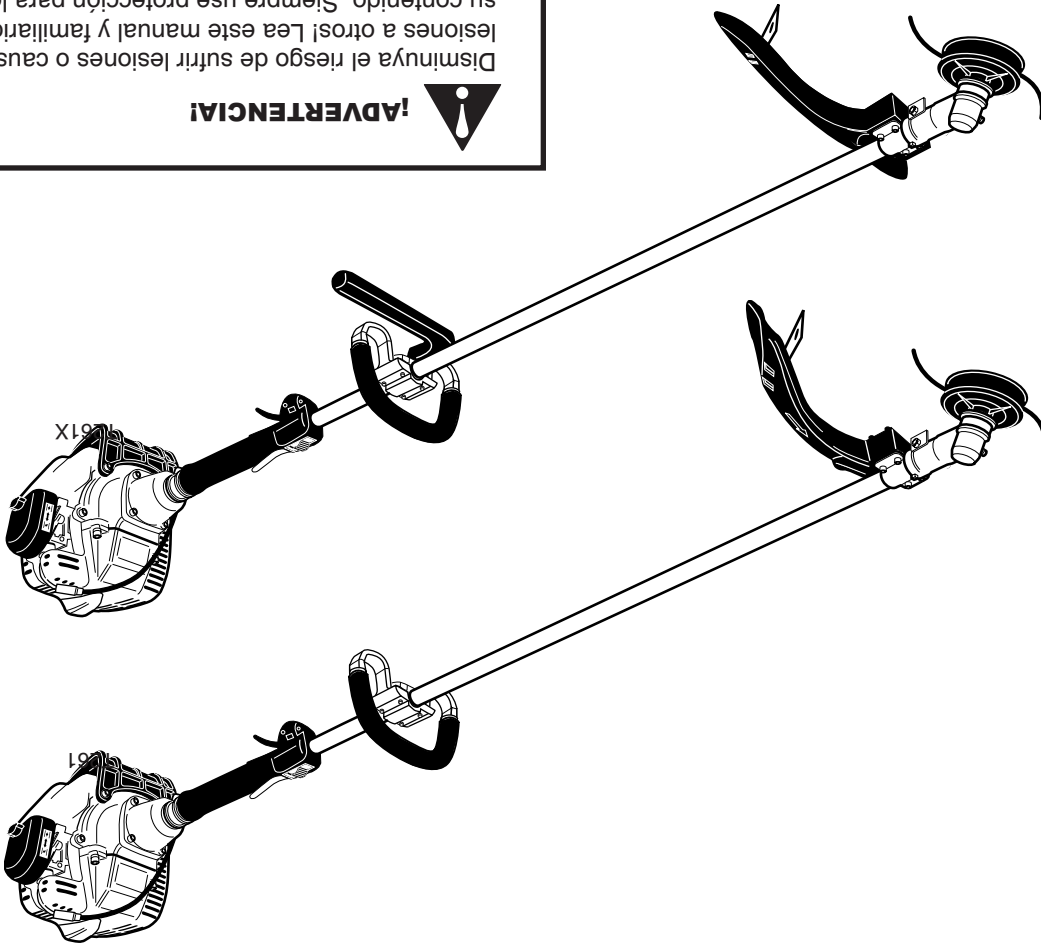
El propósito de los procedimientos operacionales descritos en este manual es ayudarle a obtener el más alto rendimiento de su máquina y proteger a usted y a otras personas de sufrir lesiones. Estos procedimientos son pautas operativas para una operación segura bajo la mayoría de condiciones y no tienen el propósito de substituir las normas y/o leyes vigentes en su área.

Si tiene alguna pregunta relacionada con su Serie T261 o si no entiende alguna información contenida en este manual, consulte a su distribuidor Shindaiwa, quien le atenderá con gusto. También puede comunicarse con Shindaiwa Inc. a la dirección que aparece en la contra portada de este manual.

shindaiwa

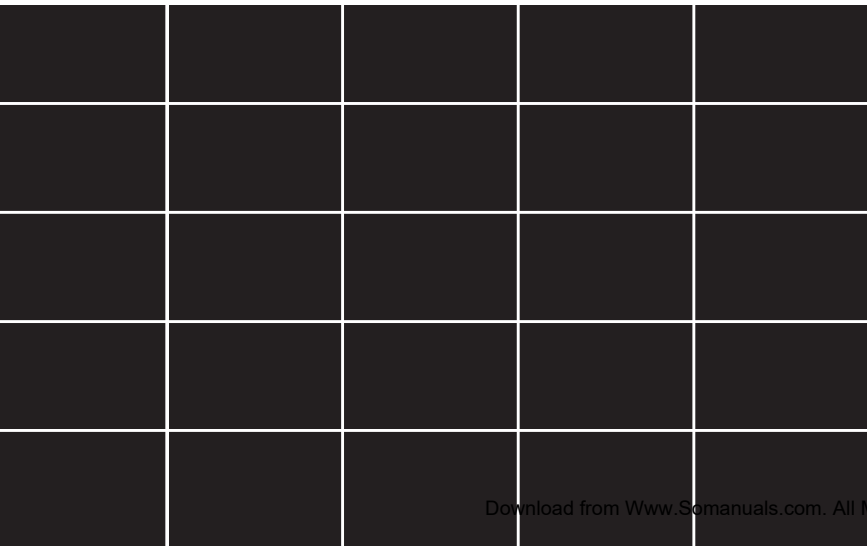
!ADVERTENCIA!

Disminuya el riesgo de sufrir lesiones o causar lesiones a otros! Lea este manual y familiarícese con su contenido. Siempre use protección para los ojos y oídos cuando opere esta máquina.



Podadora T261/EVC Podadora T261X/EVC

Manual Del Propietario/Operador Shindaiwa



Free Manuals Download Website

<http://myh66.com>

<http://usermanuals.us>

<http://www.somanuals.com>

<http://www.4manuals.cc>

<http://www.manual-lib.com>

<http://www.404manual.com>

<http://www.luxmanual.com>

<http://aubethermostatmanual.com>

Golf course search by state

<http://golfingnear.com>

Email search by domain

<http://emailbydomain.com>

Auto manuals search

<http://auto.somanuals.com>

TV manuals search

<http://tv.somanuals.com>