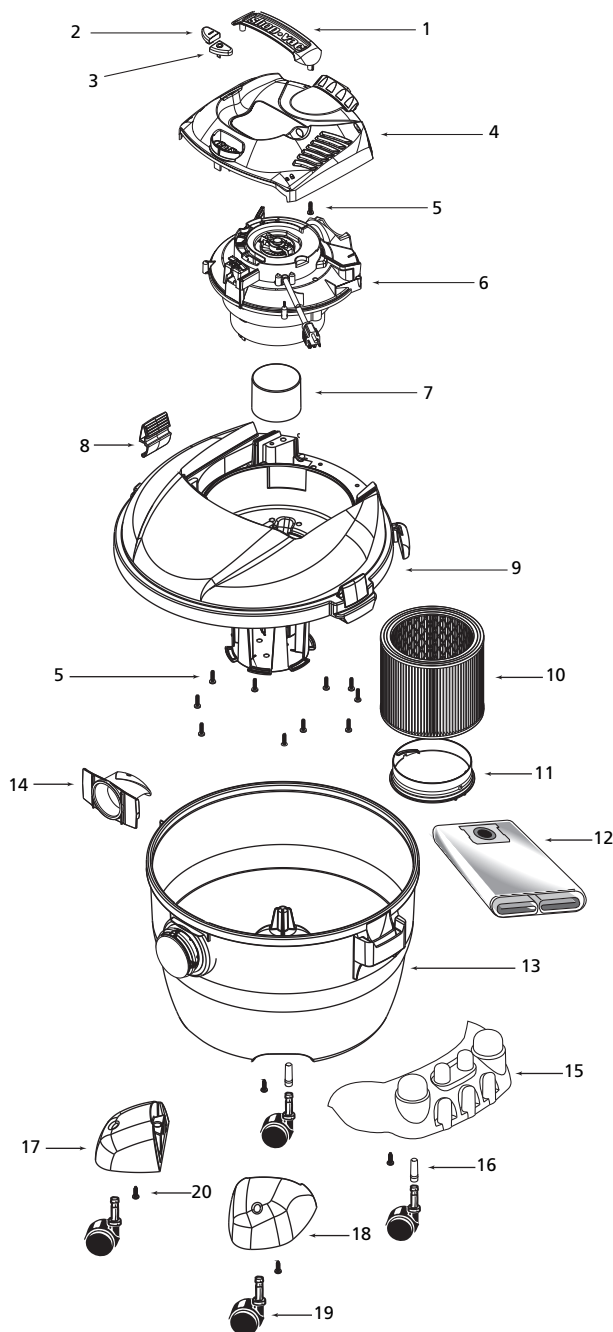


87L Series

Model 87L350



ITEM	DESCRIPTION	PART NO.
1	Handle	3751000
2	Switch Button - On	7414200
3	Switch Button - Off	7414210
4	Motor Cover Assembly	3743053
5	Screw 10 x 3/4" Trilobe T25 HD	1516599
6	Power Unit Assembly	8130397
7	Float	3545000
8	Lid Latch	7444500
9	Lid Cage & Latch Assembly	1944389
10	Cartridge Filter	9030462
11	Filter Retainer	3008000
12	Collection Bag	9066162
13	Tank Assembly	1027097
14	Inlet Deflector	7413100
15	Rear Caster Dolly	7431135
16	Retainer	8565500
17	Casterfoot A	8568000
18	Casterfoot B	8568010
19	Caster	6774200
20	Screw 10 x 3/4" SL Hex Head	1503999

STANDARD ACCESSORIES

- 8' x 1-1/4" Lock On® hose
- (2) 1-1/4" Extension wands
- 10" Wet/dry nozzle
- Gulper nozzle
- Crevice tool

THREE-YEAR HOME USE WARRANTY

Your Shop-Vac® vacuum cleaner is warranted in normal household use, in accordance with the User Manual, against original defects in material and workmanship for a period of three years from date of purchase. Should this product be used for commercial or rental use, a 90 day limited warranty will apply. Shop-Vac Corporation warrants placing this vacuum cleaner in correct operating condition, by repair or parts replacement, during the warranty period, without charge. This warranty does not cover accessories. Use of non-recommended filters and/or accessories may void the manufacturer's warranty.

For product service contact Shop-Vac Corporation, Customer Service, at (570) 326-3557 or e-mail service@shopvac.com. Shop-Vac assumes no responsibility for damage or faulty performance caused by misuse or careless handling, or where repairs or modifications have been made or attempted by others. Proof of purchase date is required. This warranty gives you specific legal rights, and you may also have other rights, which vary from state to state. This warranty is void outside of the United States.

Free Manuals Download Website

<http://myh66.com>

<http://usermanuals.us>

<http://www.somanuals.com>

<http://www.4manuals.cc>

<http://www.manual-lib.com>

<http://www.404manual.com>

<http://www.luxmanual.com>

<http://aubethermostatmanual.com>

Golf course search by state

<http://golfingnear.com>

Email search by domain

<http://emailbydomain.com>

Auto manuals search

<http://auto.somanuals.com>

TV manuals search

<http://tv.somanuals.com>