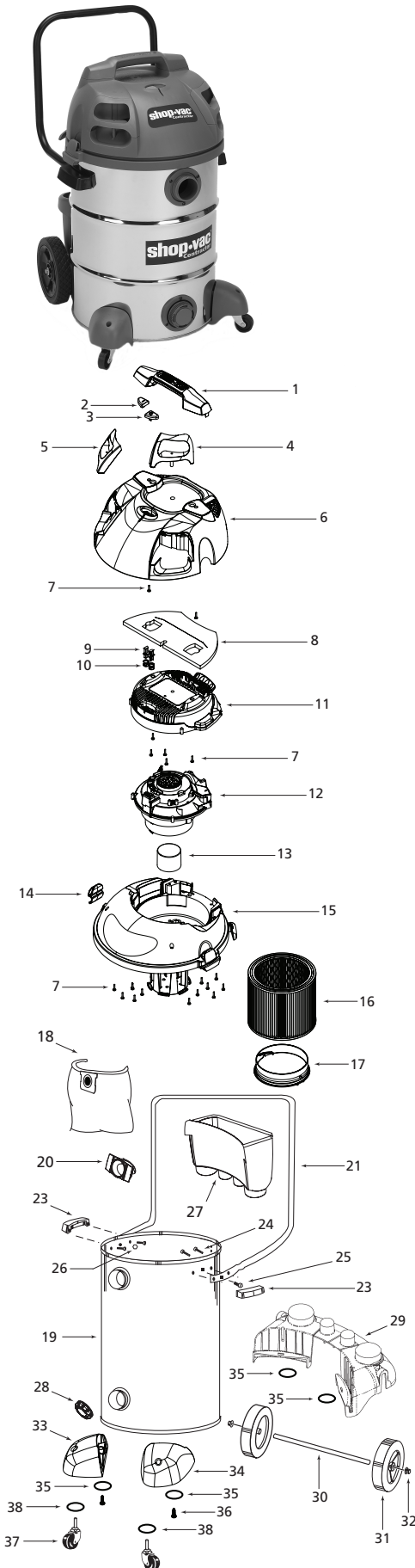


Series 90LN

Model 90LN650C



ITEM	DESCRIPTION	PART NO.
1	Handle	3753580
2	Switch Button - I	7441515
3	Switch Button - O	7441520
4	Grill - Right	3748560
5	Grill - Left	3748550
6	Outer Motor Cover Assembly	1944354
7	Screw 10 x 3/4" Trilobe Twin Lead	1517699
8	Foam Insert Cover	1290534
9	Switch Button Extension	7414250
10	Spring	2802899
11	Inner Motor Cover	1944350
12	Power Unit Assembly	8135697
13	Float	3545000
14	Lid Latch	7441604
15	Lid Cage and Latch Assembly	1944351
16	Cartridge Filter	9030411
17	Filter Retainer	3008000
18	Collection Bag	9066311
19	Tank Assembly	5165197
20	Inlet Deflector	7413100
21	Carriage Handle	2088100
22	Handle and Hardware Package (includes 23-26)	9355596
23	Side Tank Handle	9355100
24	Screw #10 x 3/4" Hex Head	1503999
25	Bolt 1/4" - 20 x 1/2"	6401299
26	1/4" - Hex Nut	1300199
27	Accessory Basket	7415112
28	Drain Cover	7446802
29	Rear Wheel Dolly	3487502
30	Axle	2442400
31	8" Wheel	2425010
32	Cap Nut	4300299
33	Caster Foot A	8568103
34	Caster Foot B	8568113
35	Washer	2781018
36	Screw #10 x 1" SL Hex Head	1509699
37	Caster	6773900
38	Washer	0704399

*Replacement parts may differ from original equipment.

FIVE-YEAR HOME USE WARRANTY

Your Shop-Vac® vacuum cleaner is warranted in normal household use, in accordance with the User Manual, against original defects in material and workmanship for a period of five years from date of purchase. Should this product be used for commercial or rental use, a 90 day limited warranty will apply. Shop-Vac Corporation warrants placing this vacuum cleaner in correct operating condition, by repair or parts replacement, during the warranty period, without charge. This warranty does not cover accessories. Use of non-recommended filters and/or accessories may void the manufacturer's warranty. For product service contact Shop-Vac Corporation, Customer Service, at 1-888-822-4644 or e-mail service@shopvac.com. Shop-Vac® assumes no responsibility for damage or faulty performance caused by misuse or careless handling, or where repairs or modifications have been made or attempted by others. Proof of purchase date is required. This warranty gives you specific legal rights, and you may also have other rights, which vary from state to state. This warranty is void outside of the United States and Canada.

Free Manuals Download Website

<http://myh66.com>

<http://usermanuals.us>

<http://www.somanuals.com>

<http://www.4manuals.cc>

<http://www.manual-lib.com>

<http://www.404manual.com>

<http://www.luxmanual.com>

<http://aubethermostatmanual.com>

Golf course search by state

<http://golfingnear.com>

Email search by domain

<http://emailbydomain.com>

Auto manuals search

<http://auto.somanuals.com>

TV manuals search

<http://tv.somanuals.com>