

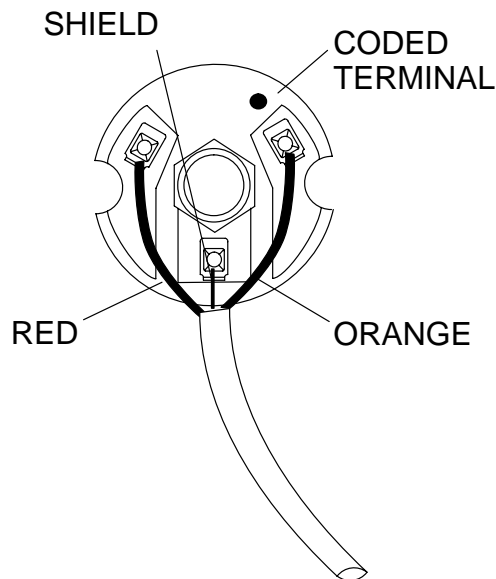
REPLACEMENT UNIDIRECTIONAL DYNAMIC CARTRIDGE

The Shure Model R89 is a unidirectional dynamic cartridge and is a direct replacement for the cartridge in Shure Model 522 Base Station microphones.

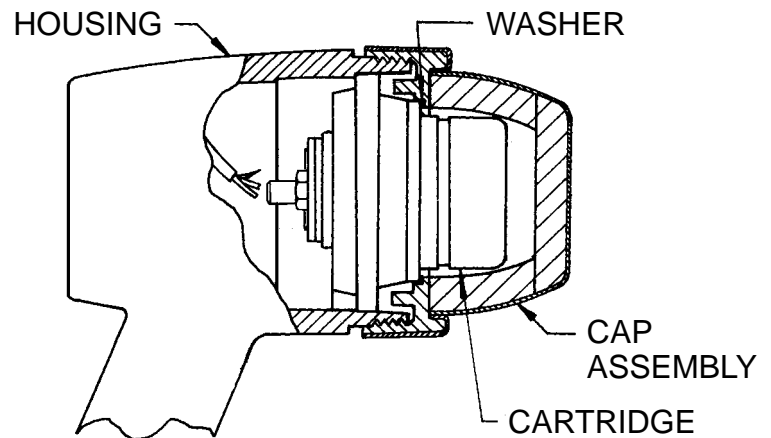
Installation and Connections

To replace the R89 in the Shure Model 522, proceed as follows:

1. Firmly hold the upper part of the microphone housing and unscrew (turn counter-clockwise) the cap assembly and washer. See Figure 1.
2. Remove the old cartridge from the microphone housing.
3. Note the connections of the colored leads and the cartridge's terminals. Unsolder the red, orange, and shield leads from the old cartridge.
4. Connect the red, orange, and shield leads to the replacement cartridge.
5. Place the new cartridge into the microphone housing, making sure that it is properly seated.
6. Reassemble the washer and cap assembly. Tighten the cap securely.



CARTRIDGE
CONNECTIONS



MICROPHONE HOUSING

REPLACEMENT CARTRIDGE
FIGURE 1

Free Manuals Download Website

<http://myh66.com>

<http://usermanuals.us>

<http://www.somanuals.com>

<http://www.4manuals.cc>

<http://www.manual-lib.com>

<http://www.404manual.com>

<http://www.luxmanual.com>

<http://aubethermostatmanual.com>

Golf course search by state

<http://golfingnear.com>

Email search by domain

<http://emailbydomain.com>

Auto manuals search

<http://auto.somanuals.com>

TV manuals search

<http://tv.somanuals.com>