

mellerware®

# SIGMA 4 slice toaster

makes life easier



Stainless steel housing

LED backlit buttons

Cancel, reheat and  
defrost settings

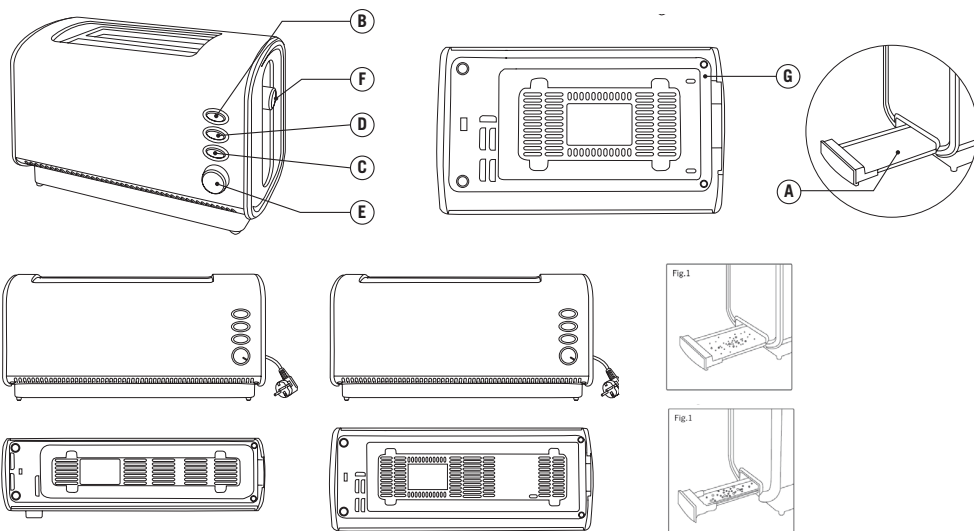


complies with  
INTERNATIONAL  
IEC60335  
SAFETY SPECIFICATIONS

**m**  
1200W

2 YEAR  
GUARANTEE

Model:  
24405



## Description

- A. Crumb tray
- B. Cancel button
- C. Reheat button
- D. Defrost button
- E. Toasting level selector knob
- F. Loading lever
- G. Cord housing

## Safety advice and warnings

- Read these instructions carefully before switching on the appliance and keep them for future reference. Failure to follow and observe these instructions may result in an accident.
- Clean all the parts of the product that will be in contact with food, as indicated in the cleaning section, before use.

### Use or working environment:

- The appliance should be used and kept over a flat and stable surface.
- Locate the appliance on a horizontal, flat and stable surface which can support its weight.
- Bread can catch fire therefore the appliance must not be used near inflammable materials such as curtains, furniture...

## Electric safety:

- Do not use the appliance if the cable or plug is damaged.
- Ensure that the voltage indicated on the nameplate matches the mains voltage before plugging in the appliance.
- Connect the appliance to a base with an earth socket withstanding a minimum of 10 amperes.
- The appliance's plug must fit into the mains socket properly. Do not alter the plug. Do not use plug adaptors.
- Do not use or store the appliance outdoors.
- If any of the appliance casings breaks, immediately disconnect the appliance from the mains to prevent the possibility of an electric shock.
- Do not use the appliance if it has fallen on the floor, if there are visible signs of damage or if it has a leak.
- Never use the electric wire to lift up, carry or unplug the appliance.
- Do not wrap the cable around the appliance.
- Ensure that the electric cable does not get trapped or tangled.
- Do not allow the connection cable to come into contact with the appliance's



hot surfaces.

- Do not touch the plug with wet hands.

### Personal safety:

- The temperature of the accessible surfaces may be high when the appliance is in use.

### Use and care:

- Fully unroll the appliance's power cable before each use.
- Do not use the appliance if the on/off switch does not work.
- Do not move the appliance while in use.
- Do not turn the appliance over while it is in use or connected to the mains.
- Disconnect the appliance from the mains when not in use and before undertaking any cleaning task.
- This appliance is for household use only, not professional or industrial use.
- Children should be supervised to ensure that they do not play with the appliance.
- Ensure that this product is not used by the disabled, children or people unused to its handling.
- This appliance should be stored out of reach of children and/or the disabled.
- Do not store or transport the appliance if it is still hot.
- Any misuse or failure to follow the instructions for use renders the guarantee and the manufacturer's liability null and void.

### Instructions for use

#### Before use:

- Before using this product for the first time, it is advisable to test it without bread.
- Some parts of the appliance have been lightly greased. Consequently, the first time the appliance is used a light smoke may be detected.

#### Use:

- Connect the appliance to the mains.
- Put the slice/slices of bread into the appliance.
- Use the select knob to reach the desired toasting level.
- Start the appliance by sliding the loading lever down until a "click" is heard.
- The pilot light comes on.
- The slice/slices will be automatically centred

for a uniform toasting.

- In order to minimize the generation of acrilamida during the cooking process, avoid to reach dark brown colours on the foodstuffs.
- After the selected toasting time the appliance will switch off automatically.

### Cancel function:

- The cancel function allows the interruption of the use of the appliance. To do this, press the button (B).

### Reheat function:

- The reheat function is for reheating previously toasted bread. To do this, press the corresponding function button (C), place the toast and move the loading lever down.

### Defrost function:

- The defrost function is used for defrosting food in the oven's inner cavity.
- The defrost function is for defrosting slices of bread. To do this, press the corresponding function button (D), place the frozen slice of bread and move the loading lever down. Once you have finished using the appliance:
- Unplug the appliance to the mains.
- Clean the appliance Cord housing
- This appliance has a cable compartment situated on its posterior.

### Cleaning

- Disconnect the appliance from the mains and let it cool before undertaking any cleaning task.
- Clean the equipment with a damp cloth with a few drops of washing-up liquid and then dry.
- Do not use solvents, or products with an acid or base pH such as bleach, or abrasive products, for cleaning the appliance.
- Do not submerge the appliance in water or any other liquid, or place it under a running tap.
- Never submerge the connector in water or any other liquid or place it under running water.
- During the cleaning process, take special care with the blades, as they are very sharp.
- It is advisable to clean the appliance regularly and remove any food remains.





- We recommend cleaning the appliance regularly as the fat accumulated in it, especially in the filters, reduces the product's performance and increases the risk of fire.
- If the appliance is not in good condition of cleanliness, its surface may degrade and inexorably affect the duration of the appliance's useful life and could become unsafe to use.
- The appliance is suitable for cleaning in hot soapy water or in a dishwasher (using a soft cleaning program): Crumb tray
- This appliance has a tray which allows the crumbs to be caught inside the appliance.
- Remove the appliance's tray (Fig 1)
- Pour away the contents of the tray.
- Gently shake the appliance to eliminate any other breadcrumbs still inside the appliance.
- Replace the tray in the appliance.
- Anomalies and repair
- Take the appliance to an authorised technical support service if problems arise. Do not try to dismantle or repair without assistance, as this may be dangerous.
- If the connection to the mains has been damaged, it must be replaced and you should proceed as you would in the case of damage.
- Manual Planets.indb 14 28/06/11 15:33 For EU product versions and/or in case that it is requested in your country: Ecology and recyclability of the product
- The materials of which the packaging of this appliance consists are included in a collection, classification and recycling system. Should you wish to dispose of them, use the appropriate public containers for each type of material.
- The product does not contain concentrations of substances that could be considered harmful to the environment





## creative housewares

 20 Tekstiel Street, Parow, Cape Town, 7493, South Africa  
 P.O. Box 6156 Parow East, 7501, South Africa  
 +27 21 931 8117     +27 21 931 4058  
Service Centre Helpline: 086 111 5006  
 [www.creativehousewares.co.za](http://www.creativehousewares.co.za)

## Free Manuals Download Website

<http://myh66.com>

<http://usermanuals.us>

<http://www.somanuals.com>

<http://www.4manuals.cc>

<http://www.manual-lib.com>

<http://www.404manual.com>

<http://www.luxmanual.com>

<http://aubethermostatmanual.com>

Golf course search by state

<http://golfingnear.com>

Email search by domain

<http://emailbydomain.com>

Auto manuals search

<http://auto.somanuals.com>

TV manuals search

<http://tv.somanuals.com>