

Sun Odyssey 40.3



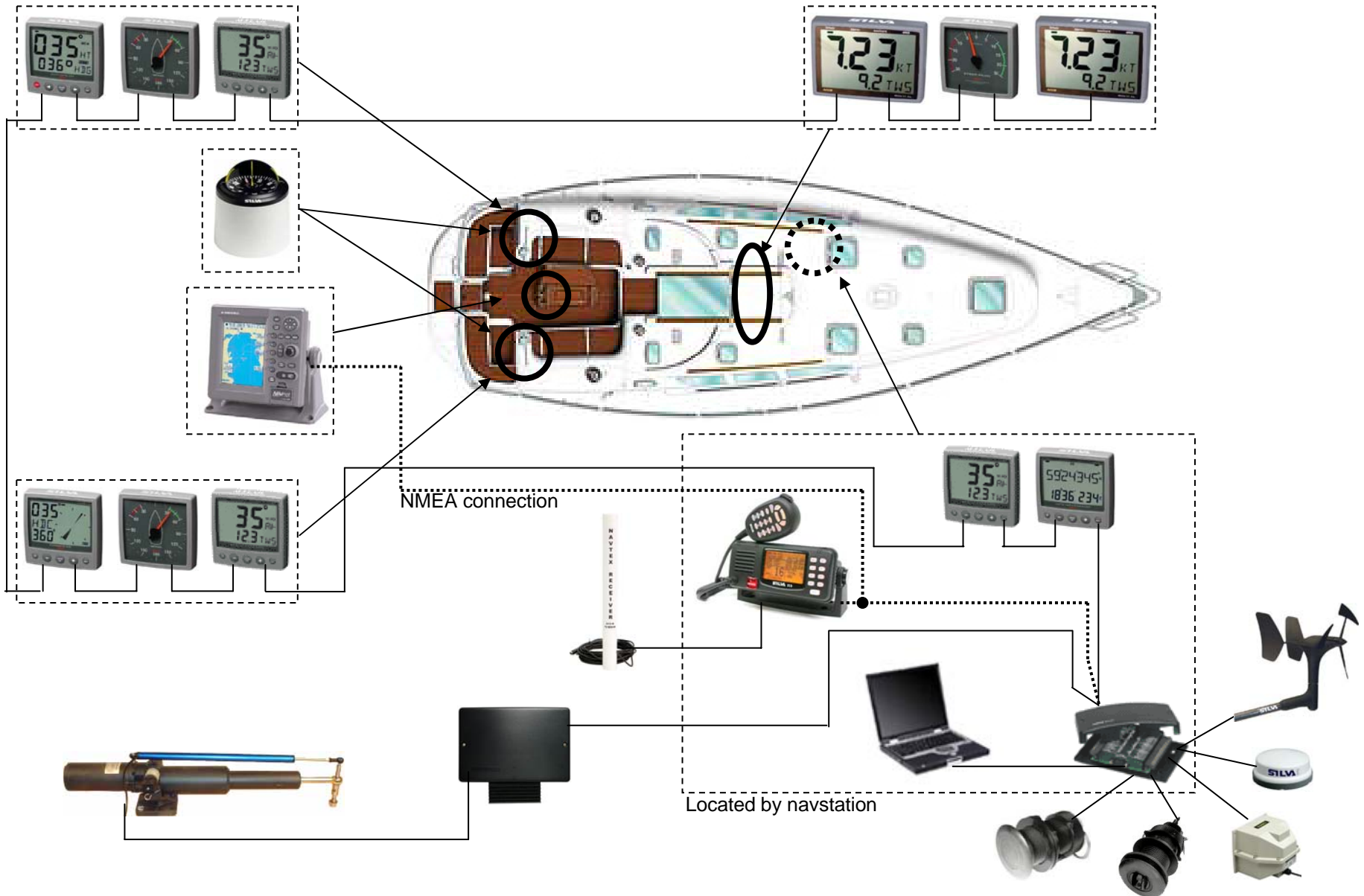
NAR

performance by NEXUS NETWORK

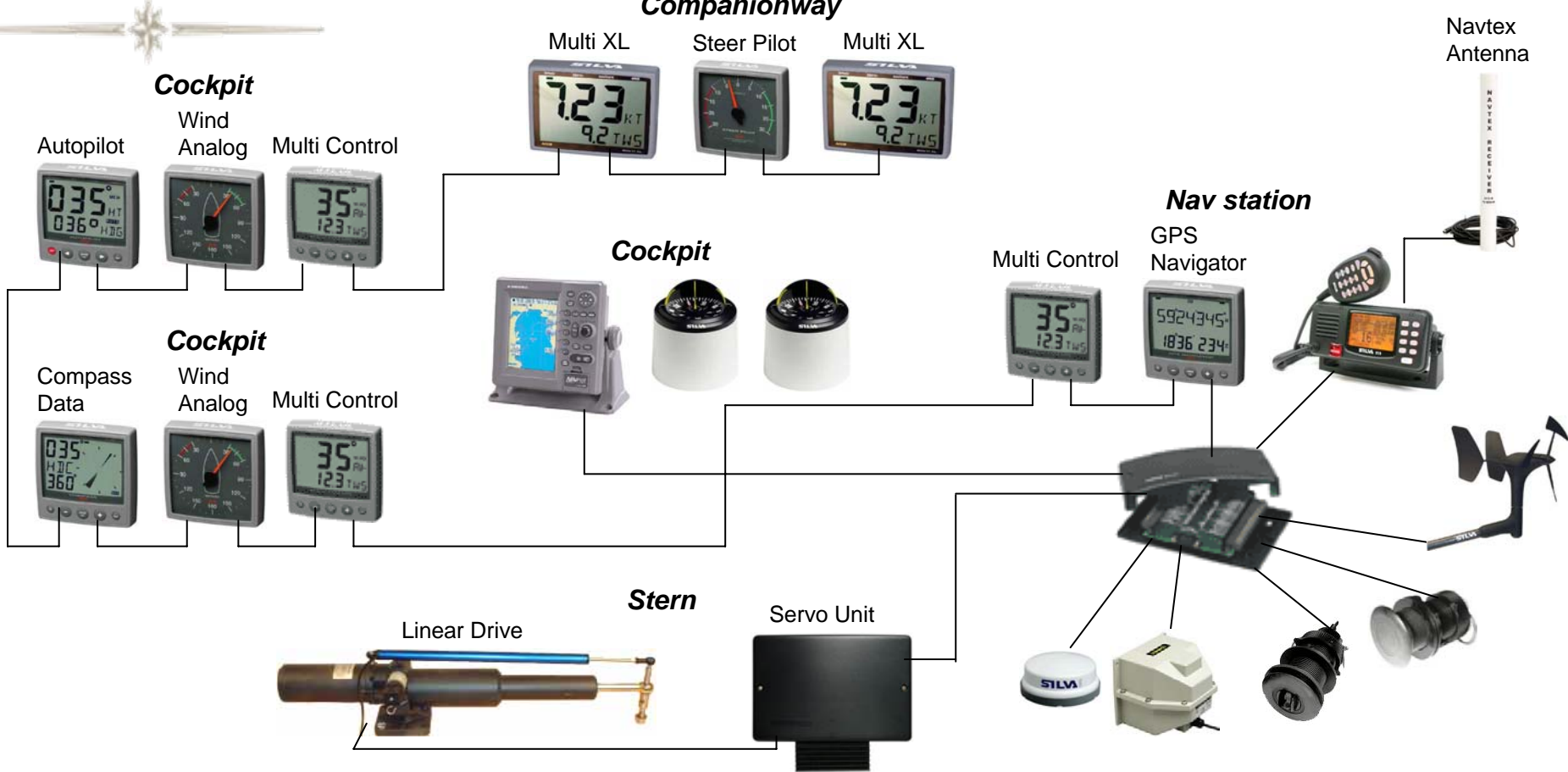
System Suggestion



SILVA
Get out there™



Sun Odyssey 40.3



Q: Product name:	Part no.	Price/pcs:	Q: Product name:	Part no.:	Price/pcs:	Product name:	Part no.:	Price/pcs	
1 Multi Control incl. Server log transducer depth transducer	22118-21		1 Steer Pilot	22115-02		1 Autopilot Instr.	22117-7		
1 Compass transd. 45°			20860	2 Multi XL	21680-1		1 Linear Drive	69989-12	
1 GPS antenna			21970	1 GPS Navigator	22117-6		1 Servo Unit	21035-2	
1 Wind transducer	20721		2 Compass 125	35074-1751		1 S15	28012		
			1 Compass Data	22117-5		1 Navtex antenna	28075		
			2 Analog Wind	22115-01					
			2 Multi Control	22117-3					
Total:							XXXX:-		

Sun Odyssey 40.3

Instrument Panel (no predrilled holes)



Network Connection box



4-Pole Connector



Q: Product name: Part no. Price/pcs:

1	Instr. Panel	21754-4720
x	Connection Box	21556
x	Connector	20966

Total: **XXXX:-**

Left Cockpit



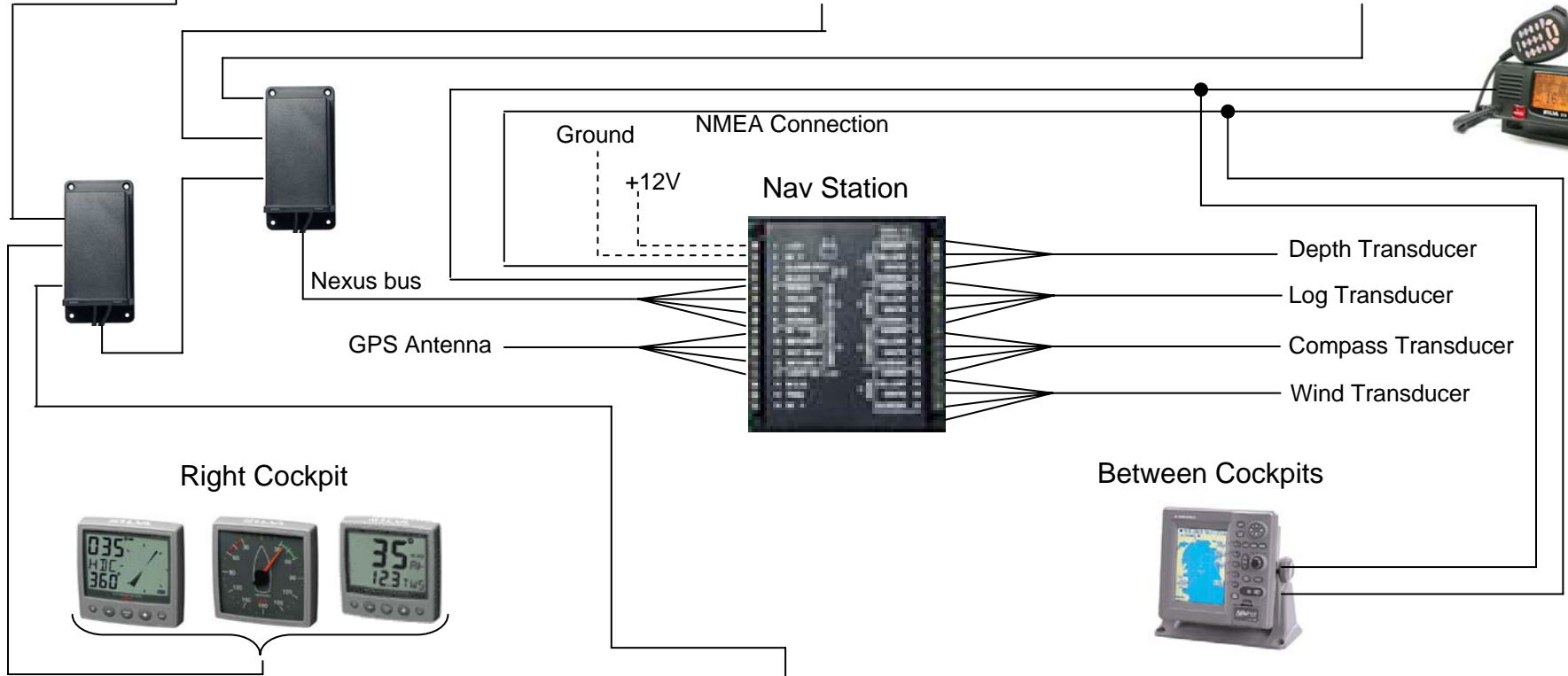
Companionway



Nav Station



Nav Station



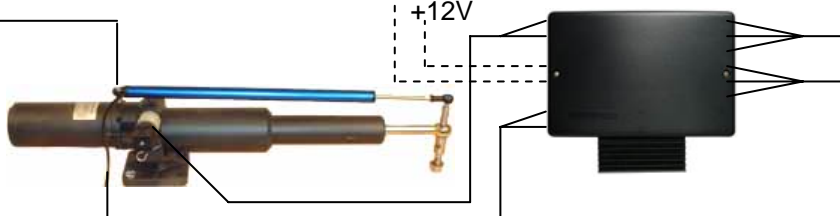
Right Cockpit



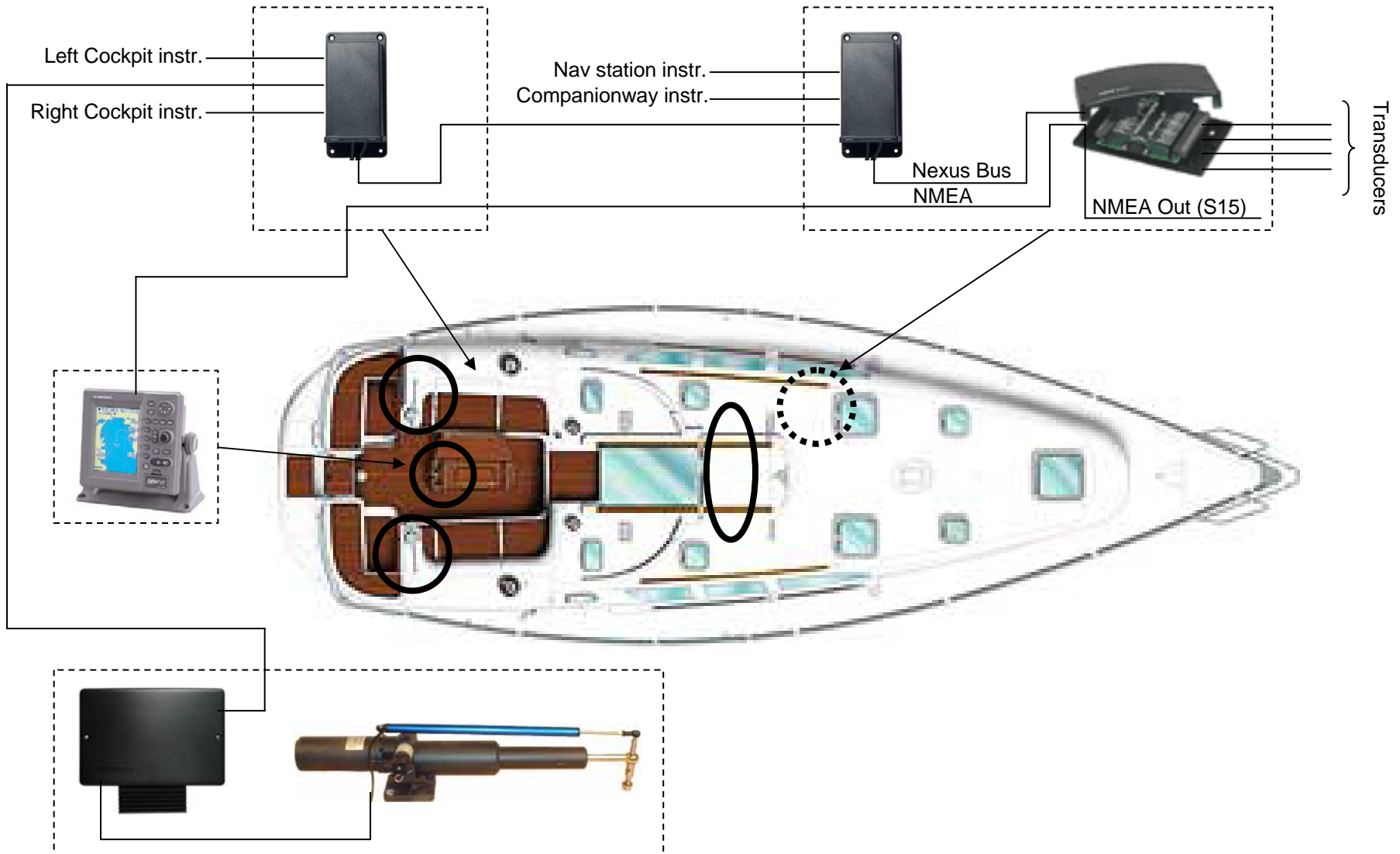
Between Cockpits



Stern



Note: If chart plotter shall send out NMEA to the server, the GPS antenna must be connected directly to the back of the GPS Navigator instrument located by the Nav Station. A second wire must then be drawn from the chart plotter to the servers NMEA In.



Free Manuals Download Website

<http://myh66.com>

<http://usermanuals.us>

<http://www.somanuals.com>

<http://www.4manuals.cc>

<http://www.manual-lib.com>

<http://www.404manual.com>

<http://www.luxmanual.com>

<http://aubethermostatmanual.com>

Golf course search by state

<http://golfingnear.com>

Email search by domain

<http://emailbydomain.com>

Auto manuals search

<http://auto.somanuals.com>

TV manuals search

<http://tv.somanuals.com>