

Wake-Up Light



GB **Wake-Up Light**
IE Operating instructions



Index

Introduction2

- Information for these operating instructions 2
- Copyright 2
- Proper use. 2
- Warnings 3

Safety4

- Basic Safety Instructions 4
- Danger from electric shock. 5
- Danger of hearing damage 5
- Interaction with batteries 6

General description7

- Device summary 7
- Remote control 8
- Display 9

Setting up and connecting .10

- Safety instructions. 10
- Package contents and transportation inspection 10
- Unpacking 10
- Disposal of the packaging 11
- Requirements for the set-up location 11
- Electrical connections 12
- Inserting back-up batteries 12
- Activating the remote control battery 13
- Changing the remote control battery 13
- Providing mains power 13
- VHF wire antenna 13
- Connecting the headphones 13

Handling and operation ...14

- Switching On and Off 14
- Setting the time 14
- Adjusting the volume 15
- Radio operation 15
- Playback music from an iPod/iPhone 17
- Playback of external audio devices 19
- Playback of nature sounds 19
- Mood lighting 19
- Reading lamp 20
- Alarm Function 21

Cleaning25

- Safety instructions. 25
- Cleaning the housing 25

Storage/Disposal25

- Storage 25
- Disposal of the device 25
- Disposing of the batteries 25

Troubleshooting26

- Safety instructions. 26
- Malfunction causes and remedies .26

Appendix27

- Information regarding the EC conformity declaration 27
- Technical data 28
- Warranty 29
- Service 29
- Importer 29

Introduction

Information for these operating instructions

These operating instructions are a component of the KH 2600 Wake-Up Light (henceforth designated as the device) and they supply you with important information about the intended use, safety and connection as well as operation of the device .

The operating instructions must be constantly kept available close to the device. They are to be read and applied by everyone assigned to operate and trouble-shoot the device.

Keep these operating instructions and hand them over with the device to any future owners.

Copyright

This documentation is copyright protected.

Any copying or reproduction, including extracts, as well as the reproduction of images, also in an altered state, is not permitted without express written permission from the manufacturer.

iPhone, iPod, iPod classic, iPod nano, iPod shuffle, and iPod touch are brand names of Apple Inc., registered in the USA and other countries.

Proper use

This device is intended only for reception of VHF radio programmes, for the connection of external devices (i.e. MP3 players) and iPod/iPhone and for alarms by means of audible signals, nature sounds, radio or music from an iPod/iPhone, in enclosed spaces. This device is not intended for any other use or for uses beyond those mentioned.

WARNING

Danger from unintended use!

Danger can come from the device if used for unintended purposes and/or other types of use.

- ▶ Use the device exclusively for intended purposes.
- ▶ Observe the procedures described in these operating instructions.

Claims of any kind resulting from damage caused by improper use, incompetent repairs, unauthorized modifications or the use of non-approved spare parts will not be acknowledged.

The operator alone bears liability.

Warnings

In the current operating instructions the following warnings are used:

DANGER

A warning at this danger level indicates a threatening dangerous situation.

If the dangerous situation is not avoided, it could result in death or serious injury.

- ▶ Follow the instructions given in this warning notice to avoid the risks of death or serious injury to people.

WARNING

A warning of this danger level signifies a possible dangerous situation.

If the dangerous situation is not avoided it can lead to injuries.

- ▶ The directives in this warning are there to avoid personal injuries.

IMPORTANT

A warning of this danger level signifies possible property damage.

If the situation is not avoided it can lead to property damage.

- ▶ The directives in this warning are there to avoid property damage.

NOTICE

- ▶ A notice signifies additional information that assists in the handling of the device.

Safety

In this chapter you receive important safety information regarding handling of the device.

This device complies with the statutory safety regulations. Incorrect usage can, however, lead to personal injury and property damage.

Basic Safety Instructions

For safe handling of the device observe the following safety information:

- Before use check the device for visible external damage. Do not put into operation a device that is damaged or has been dropped.
- Never use the device if the lamp housing is damaged, broken or missing.
- Damaged cables or connections should be replaced by authorized qualified persons or by the customer service department.
- Persons who, due to their physical, intellectual or motor abilities, are incapable of operating the device safely may only use the device under supervision or direction from a responsible person.
- Only permit children to use the device under supervision.
- Repairs should only be carried out by authorized specialist companies or by the customer service department. Incompetent repairs can result in significant risks for the user. In addition warranty claims become void.
- A repair to the device during the warranty period may only be carried out by a customer service department authorized by the manufacturer otherwise no additional warranty claims can be considered for subsequent damages.
- Defective components may only be replaced with original replacement parts. Only by using original replacement parts can you guarantee that the safety requirements are complied with.
- Protect the device from moisture and liquid penetration. Never submerge the device in water, never locate the device in the close vicinity of water and never place any objects filled with liquids (such as vases) on the device.

- Do not operate the device close to open flames (e.g. candles).
- Avoid direct sunlight.
- Do not use the device when the room temperature is below 10° C or above 35° C.
- If you have previously suffered from severe depression or are suffering from such at present, consult your doctor before you use the device.
- Always pull on the power plug when disconnecting from the wall socket, never pull on the connection cable.
- If malfunctions occur or thunder storms threaten pull the power plug from the wall socket.

Danger from electric shock

DANGER

Risk of fatal electrocution!

A life-threatening situation can arise from contact with live wires or components!

Observe the following safety instructions to avoid electric shock hazards:

- ▶ Do not use the device if the mains power plug or the connection cable are damaged.
- ▶ Do not, under any circumstances, open the device housing. The risk of an electric shock is present if the power carrying connections are touched or the electrical and mechanical construction is changed.

Danger of hearing damage

WARNING



Danger from extreme volumes!

Listening to loud music via connected headphones can result in hearing damage.

- ▶ Avoid extreme volumes, especially over long periods of time, when you are using headphones.

Interaction with batteries

WARNING

Danger from improper use!

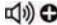
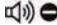







For safe handling of batteries observe the following safety instructions:

- ▶ Do not throw batteries into a fire.
- ▶ Do not short circuit batteries.
- ▶ Do not attempt to recharge batteries.
- ▶ Regularly check the condition of the batteries. Leaking battery acid can cause permanent damage to the device. Special caution should be shown when handling damaged or leaking batteries. Danger from acid burns! Wear protective gloves.
- ▶ Store batteries in a place inaccessible to children. When swallowed seek immediate medical attention.
- ▶ Remove the batteries from the device and the remote control if you do not intend to use the device for an extended period of time.

General description

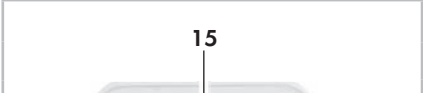




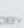
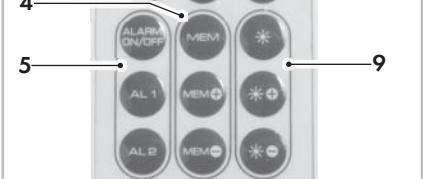

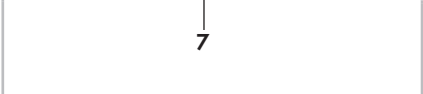














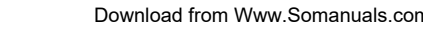
Device summary

For the following see the diagrams on the fold out sides.

- 1 Lamp housing
- 2 Halogen lamp (42 W, E27)
- 3 Mood light (3 LEDs: green, blue and red)
- 4 Display
- 5 Station for iPod/iPhone
- 6  button: Volume increase
- 7  button: Volume decrease
- 8 SNOOZE Button: Activate snooze function / set the mood light colour
- 9  button: Reduce light intensity
- 10  button: Increase light intensity
- 11  button: Title skip forwards / fast forward play (iPod/iPhone) / station search (Radio) / selection of nature sounds 1-4
- 12 FUNC.: Select function
- 13  button: Title skip backwards / fast backward play (iPod/iPhone) / station search (Radio) / selection of nature sounds 1-4
- 14 SLEEP button: Set automatic switch off / change between 12h/24h time of day display
- 15  button: Playback start / stop
- 16 Alarm2/UP button: Programme alarm 2 / memory slot selection upwards
- 17 MEMORY/TIME button: Save station (Radio) / setting the time in standby mode / stop playback of iPod/iPhone
- 18 Alarm1/DOWN button: Programme alarm 1 / memory slot selection downwards
- 19  button: Switch lamp on/off / activate wake-up light function during wake time programming
- 20 /ALARM OFF button: Switch device on/off / switch alarm off (Alarm)
- 21 Headphones connection socket
- 22 AUX IN: Audio input for the connection of an external device
- 23 Mains connection cable
- 24 Wire antenna for VHF reception
- 25 Temperature sensor
- 26 Battery compartment

Remote control

All device functions can be carried out with the remote control.

	1  : Standby
	2  : Fast play forward
	3  : Fast play backwards
	4 Memory control: MEM: Programming stations MEM +: Selecting memory slot MEM -: Selecting memory slot
	5 Alarm control: Alarm ON/OFF AL1: Programme alarm 1 / memory slot selection downwards AL2: Programme alarm2 / memory slot selection upwards
	6 TIME: Set time of day
	7 SNOOZE: Activate snooze function
	8 SLEEP: Automatic switch off
	9 Lamp control:  : Lamp ON/OFF  : brighter  : darker
	10  : Volume decrease
	11  : Stop
	12  : Volume increase
	13  : Play/Pause
	14 FUNC: Select function
	15 COLOR: Select mood light colour

Display

The symbols in the display have the following meanings:

Symbol	Meaning
	Alarm 1 activated
	Alarm 2 activated
	Alarm tone
	Radio function
	Lamp / wake-up light function
	Nature sound 1
	Nature sound 2
	Nature sound 3
	Nature sound 4
	Stereo reception
	iPod/iPhone function
	Automatic switch off activated
	External audio device
FM	VHF reception
TEMP 	Temperature Display
MEMORY 	Memory slot indicator
	Light intensity indicator
	Volume level indicator
SNOOZE	Snooze function activated

Setting up and connecting

Safety instructions

WARNING

Damage may occur to people and property when operating the device!

Observe the following safety information to avoid any risks:

- ▶ Packaging material should not be used as a play thing. There is a risk of suffocation!
- ▶ To avoid risks to persons and property, pay attention to the requirements for the set-up location and the electrical connections.

Package contents and transportation inspection

The device is delivered with the following components as standard:

- Wake-Up Light
- Remote control with battery (CR 2032, 3V)
- 2 x Batteries type AA, 1.5 V
- 5 x Adapter docks for iPod/iPhone
- Operating instructions

NOTICE

- ▶ Check the contents to make sure everything is there and for visible damage.
- ▶ If the items supplied are incomplete, or damaged due to defective packaging or transportation, contact the Service Hotline (see chapter **Service**).

Unpacking

- ◆ Remove all parts of the device and the operating instructions from the box.
- ◆ Remove all packing material.

Disposal of the packaging

The packaging protects the device from transport damage. The packaging materials are chosen from an environmentally friendly and disposal technological point of view and are therefore recyclable.



The recirculation of packaging into the material circuit saves on raw material and reduces generated waste. Dispose of packaging material that is no longer needed according to the regionally established regulations.

NOTICE

- ▶ If possible preserve the device's original packaging during the warranty period so that in the case of a warranty claim you can package the device properly for return.

Requirements for the set-up location

For safe and fault free operation of the device, the set-up location must fulfill the following conditions:

- Place the device on a firm, flat and level surface.
- To avoid overheating maintain a free space of at least 15 cm around and 40 cm above the device.
- Do not position the device in a dusty, hot, wet or very humid environment or in the vicinity of flammable materials.
- Protect the device from vibration.
- The surfaces of furniture may contain components that could affect and soften the rubber feet on the device. If necessary, place an anti-slip mat or similar under the rubber feet of the device.
- The wall socket must be easily accessible so that, in an emergency, the plug can be quickly withdrawn from the socket.

Electrical connections

- Before connecting the device, compare the connection data (voltage and frequency) on the rating plate of the device with that of your power supply network. This data must tally in order to avoid damage to the device.
- Make sure that the device's connection cable is not damaged and is not laying over hot surfaces and/or sharp edges.
- Make sure that the connection cable is not tightly stretched or bent.
- Do not allow the connection cord to hang over edges (Trip wire effect).

Inserting back-up batteries

By inserting the batteries you can avoid the loss of programmed time of day and alarm wake time in the event of a possible power outage. The batteries make sure that the internal clock continues to run even during a power outage. When power is restored the correct time appears automatically in the display ④.

NOTICE

- ▶ The back-up batteries only save the time of day and the programmed wake time. All other functions are only possible with mains power operation.
- ▶ The device can also be operated without batteries.
- ◆ Slide the access cover of the battery compartment ②6 on the underside of the device in the direction of the arrow and remove the access cover.
- ◆ Insert 2 batteries type AA (supplied) into the battery compartment. Make sure that you observe the polarity as depicted in the battery compartment.
- ◆ Close the battery compartment by replacing the access cover, slide back in and allow it to lock into place.

Activating the remote control battery

The remote control battery is already inserted when delivered.

- ◆ Activate the battery by removing the isolation strip.

Changing the remote control battery

- ◆ Press, with the fingernail, the recess (A) to the right and, at the same time, pull the battery compartment out.
- ◆ Insert a 3 V battery type CR 2032 in the battery compartment. The side with the marking "+" points upwards.
- ◆ Slide the battery compartment completely back into the remote control.



Providing mains power

- ◆ Place the device approx. 40 to 50 cm away from your head (i.e. on the bedside table).
- ◆ Plug the mains power plug into a wall socket. In the display ④ the time of day (0:00 o'clock) and the temperature will be shown.

VHF wire antenna

- ◆ For VHF reception completely unfold the wire antenna ②④.

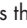

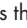

Connecting the headphones

- ◆ If required you can connect headphones (with a 3.5 mm jackplug) to the connection socket ②① on the rear panel of the device. The speakers then switch off automatically.


Handling and operation

In this chapter you receive important information for the handling and operation of the device.

Switching On and Off





- ◆ Press the /ALARM OFF button **20** or the  button on the remote control to switch the device on. The display **4** is activated.
- ◆ Press the /ALARM OFF button **20** or the  button on the remote control to switch the device off. In the display **4** is shown the time of day, the temperature and a programmed alarm time (**Standby mode**).

NOTICE

- ▶ The /ALARM OFF button **20** does not completely disconnect the device from the mains power. To completely disconnect the device from the mains power the mains power cable plug **23** must be pulled from the mains socket.

Setting the time

Prerequisite: The device is in standby mode.

- ◆ Press the MEMORY/TIME button **17** or the TIME button on the remote control. The hour indicator in the display **4** blinks.
- ◆ Press the SLEEP button **14** for approx. 2 seconds to switch between the 12h/24h time of day display.
- ◆ Set, with the  button **11** or the  button **13**, the current time of day hour. With each button press the time changes by one hour. Holding down the respective button for more than 2 seconds starts the speed setting.
- ◆ Press the MEMORY/TIME button **17** or the TIME button on the remote control. The minute indicator in the display **4** blinks.
- ◆ Set, with the  button **11** or the  button **13**, the current time of day minutes. With each button press the time changes by one minute. Holding down the respective button for more than 2 seconds starts the speed setting.
- ◆ Press the MEMORY/TIME button **17** or the TIME button on the remote control to confirm the time input or wait for approx. 7 seconds after which the time input will be automatically confirmed.

NOTICE

- ▶ The time of day will revert back to 0:00 o'clock if the device is disconnected from the mains power supply with no back-up batteries inserted or if the back-up batteries are too weak.

Adjusting the volume

Prerequisite: The device is switched on.

- ◆ Press the + button **6** or - button **7** on the device or on the remote control to adjust the volume. The set volume level is shown below and to the right in the display **4**.

NOTICE

- ▶ The set volume applies for all functions.
- ▶ The volume you have selected will also be saved automatically as the volume for the wake function.

Radio operation

NOTICE

- ▶ For a good radio reception the wire antenna **24** must be completely uncoiled. Adjust the antenna, whilst in radio operation, to the best reception.

Switching on the radio

- ◆ Press the /ALARM OFF button **20** or the button on the remote control to switch the device on.
- ◆ Press the FUNC. button **12** several times to select the radio function. In the display **4** appears the symbol and the current reception frequency of the set station.



Manual station selection

- ◆ Press the button **11** or button **13** briefly to set the frequency of the desired station gradually with each button press.

Automatic station search

- ◆ Press and hold down the button **11** or button **13** for at least two seconds. The device automatically searches for the nearest station with sufficient reception quality.

NOTICE

- ▶ If the reception quality is especially high, in the display **4** appears the stereo symbol .

Saving stations manually

The device has 20 memory slots available for station frequencies. To save a station frequency proceed as follows:

- ◆ Press the /ALARM OFF button **20** or the button on the remote control to switch the device on.
- ◆ Press the FUNC. button **12** several times to select the radio function.
- ◆ Select a station with the **▶|** button **11** or the **|◀** button **13**.
- ◆ Press the MEMORY/TIME button **17** or the MEM button on the remote control. "MEMORY" appears in the display **4** and "01" blinks.
- ◆ Press the ALARM1/ALARM2 button or the MEM-/MEM+ button on the remote control to select the desired memory slot between 01 and 20.
- ◆ Press the MEMORY/TIME button **17** or the MEM button on the remote control again to save the reception frequency of the set station to the selected memory slot.



NOTICE

- ▶ If no input is made within approx. 5 seconds after the MEMORY/TIME button or the MEM button on the remote control is pressed the "MEMORY 01" indicator in the display goes out and the current station is not saved.

Selecting a saved radio station

- ◆ Press the /ALARM OFF button **20** or the button on the remote control to switch the device on.
- ◆ Press the FUNC. button **12** several times to select the radio function.
- ◆ Select with the ALARM1/ALARM2 buttons or the MEM-/MEM+ buttons on the remote control the desired memory slot for the saved station between 01 and 20.



Playback music from an iPod/iPhone

With the station **5** you can use the device as a speaker for your iPod/iPhone. If you insert the iPod/iPhone in the station it will, in addition, be automatically charged.

The device is equipped with 5 adapters for the station thus even the most current iPod/iPhone models will, in any case, fit into the station. The adapters, provided with numbers, are on the rear panel. In the table you will find, itemized, the adapter that is to be used for your model.

You can use the station for the following iPod and iPhone models:

Model	Type	Adapter
5G iPod (with video)	30GB	9
U2 iPod with video	30GB	9
iPod classic	80GB, 120GB	9
iPod touch	8GB & 16GB	14
iPod touch 2G	8GB, 16GB, & 32GB	14
iPod touch (Fall 2009)	16GB, 32GB, & 64GB	14
iPhone 3G	8GB & 16GB	15
iPhone 3GS	16GB & 32GB	15
iPod nano (4th generation)	8GB & 16GB	17
iPod nano (5th generation)	8GB & 16GB	18

IMPORTANT

Damaging of the device or the iPods/iPhones!

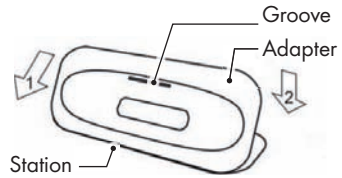
Inserting the iPods/iPhones without an adapter can result in damage to the device and/or the iPods/iPhones.

- ▶ Place the iPod/iPhone in the station only with the proper adapter.
- ▶ In the event that the proper adapter has not been provided get in touch with the Service-Hotline (see chapter **Service**).

Inserting / removing the adapter in / from the station

Select from the table the required adapter and place it in the station dock as follows:


- ◆ Lay the front edge of the adapter on the front edge of the dock.
- ◆ Press the rear edge downwards until you hear a light "click".





To remove the adapter from the dock proceed as follows:

- ◆ Grip with the thumbnail in the groove and lift the adapter out of the dock.

Playback of music

- ◆ Insert your iPod and/or iPhone into the station **5**.
- ◆ Press the FUNC. button **12** several times to select the iPod/iPhone function. In the display **4** appears the symbol  and the music playback can begin.

Title skip and fast forward / backward

- ◆ Press the ►► button **11** on the device or on the remote control to skip to the beginning of the next title.
- ◆ Press the ◀◀ button **13** on the device or on the remote control to skip to the beginning of the current title. Press the ◀◀ button **13** a second time to skip to the beginning of the previous title.
- ◆ Hold down the ►► button **11** or ◀◀ button **13** for fast forward / backward.
- ◆ Press the MEMORY/TIME  button **17** or the  button on the remote control to stop playback.


Charging the iPod/iPhone

If your iPod/iPhone is inserted into the station it will charge automatically until the battery is full.

NOTICE

- The iPod/iPhone will not charge via the back-up battery.






Playback of external audio devices





- ◆ Connect an external audio device, for example, an MP3 player to the 3.5 mm jackplug socket AUX IN **22** on the rear panel of the device.
- ◆ Press the FUNC. button **12** several times to select the AUX function. 
- ◆ Start playback of the external audio device and set the volume.

NOTICE

- ▶ Follow the operating instructions for the external audio device.

Playback of nature sounds

- ◆ Press the /ALARM OFF button **20** or the  button on the remote control to switch the device on.
- Press the FUNC. button **12** several times to select the nature sounds function .
- ◆ Select with the | button **11** or the  button **13** between the following 4 nature sounds:

	Rain
	Babbling brook
	Seagulls
	Rural life

Mood lighting

- ◆ Press the SNOOZE button **8** on the device to switch on the mood lighting. The LEDs light up in the following sequence:
blue → red → red + blue → green → green + blue → red + green → all LEDs → etc.
- ◆ Press the SNOOZE button **8** again when the desired colour lights up to set this colour permanently.
- ◆ Press the SNOOZE button **8** once more to switch off the mood lighting.

NOTICE

- ▶ Instead of the SNOOZE button **8** the COLOUR button on the remote control can also be used.
- ▶ The colour setting via the SNOOZE button **8** will not work if the SNOOZE function has been activated.

Reading lamp

You can use the device as a reading lamp.

- ◆ Press the ☀ button 19 on the device or on the remote control to switch the lamp on and off.
- ◆ Press the ☀ + / ☀ - button to set the brightness. The symbol ☀ and the light intensity (00 to 20) are shown in the display 4.

NOTICE

- ▶ If you have set the light intensity to 00 you can, by all means, set a higher value, the lamp remains, however, switched off and must be switched back on via the ☀ button 19 on the device or on the remote control.
- ▶ The light intensity that you have selected will also be saved automatically as the light intensity for the wake function.

Replacing the halogen lamp

The halogen lamp 2 must be replaced if it is defective or the light intensity decreases.

⚠ DANGER

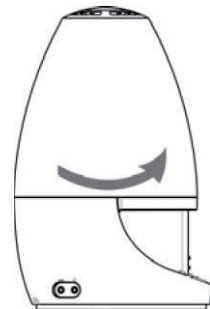
Risk of fatal electrocution!

- ▶ Pull the plug from the mains socket before you change the halogen lamp 2.

NOTICE

- ▶ The halogen lamp 2 must only be replaced with one of the same lamp type: E27 42 W.

- ◆ Turn the lamp housing 1 in the direction of the arrow and lift it upwards.
- ◆ Unscrew the defective halogen lamp from the lamp socket.
- ◆ Screw a new 42 W halogen lamp into the lamp socket.
- ◆ Place the lamp housing 1 carefully from above and turn it in the opposite direction to the arrow to attach.





Alarm Function

When setting the wake time you configure the light intensity, the wake sound and the volume. In the 30 minutes before the set wake time the light intensity increases slowly to the selected level. When the set wake time is reached the sound level increases, within 90 seconds, slowly to the selected volume.

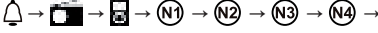
Programming alarm wake times

The device has two alarms available. All settings for both alarms can be carried out independently from each other. You can choose whether, at the programmed time, an alarm tone or a variety of nature sounds should be played, whether the radio should sound out or music from an iPod/iPhone or an external audio device should be played.

Prerequisite: The device is in standby mode.

- ◆ Press the ALARM1/DOWN button **18**/ALARM2/UP button **16** on the device or the AL1/AL2 button on the remote control. The hour indicator in the display **4** blinks.
 
- ◆ Set with the ►► button **11** or the ◄◄ button **13** the hour. With each button press the time changes by one hour. Holding down the respective button for more than two seconds starts the speed setting.
- ◆ Press the ALARM1/DOWN button **18**/ALARM2/UP button **16** on the device or the AL1/AL2 button on the remote control. The minute indicator in the display **4** blinks.
 
- ◆ Set with the ►► button **11** or the ◄◄ button **13** the minutes. With each button press the time changes by one minute. Holding down the respective button for more than two seconds starts the speed setting.
- ◆ Press the ALARM1/DOWN button **18**/ALARM2/UP button **16** on the device or the AL1/AL2 button on the remote control again to confirm the setting.

Setting the wake tone

- ◆ Press the ►►| button **11** or the |◄◄ button **13** repeatedly to select a wake tone:


delete. (For an explanation of the symbols see chapter **Display**.)
- ◆ Press the ☀ button to activate, in addition, the wake-up light function.



NOTICE

- ▶ Set the volume that you want to be woken with as described in the chapter **Setting the volume**.
- ▶ Set the light intensity that you want to be woken with as described in the chapter **Reading lamp**.
- ▶ The wake-up light function can only be activated together with a wake tone. The light intensity increases in the 30 minutes before the set wake time and the ☀ symbol blinks in the display **4**.
- ▶ To be woken with the wake-up light only the volume must be set to 00.
- ◆ Press the ALARM1/DOWN button **18**/ALARM2/UP button **16** on the device or the AL1/AL2 button on the remote control again to confirm the setting or wait approx. 7 seconds and the alarm will be confirmed automatically.

The symbol for the selected wake tone blinks in the display and the alarm goes off via the speaker with the arrival of the wake time.

NOTICE

- ▶ If you want to use music from your iPod/iPhone as the wake tone select a title on the iPod/iPhone (or an album and/or playback list) that is to be used as a wake tone. Your choice will be played back when the set wake time arrives.

Switching the alarm off

Snooze function ("SNOOZE" function)

- ◆ Whilst the alarm is sounding press the SNOOZE button **8** to temporarily switch off the alarm. In the display **4** appears the notice **SNOOZE**. After 9 minutes the alarm sounds again.



(In the diagram on the right both alarm 1 and alarm 2 are programmed. The alarm 2 goes off and the symbol blinks.)

Switching the alarm off

When the programmed time is reached the alarm continues to sound until it is switched off.

- ◆ Press the **⏸**/ALARM OFF button **20** or the **⏸** button on the remote control to switch the alarm off.
- ◆ Press the **☀** button if you have activated the wake-up light function.

NOTICE

- ▶ The alarm goes off again within 24 hours.

Fast switch on/off of the alarm

Prerequisite: The device is in standby mode.

- ◆ Press the ALARM1/DOWN button **18**/ALARM2/UP button **16** on the device or the AL1/AL 2 button on the remote control continually until the alarm symbol **1**/**2** in the display appears/disappears.

NOTICE

- ▶ The last selected alarm settings remain saved.


Deleting wake times

- ◆ Press the ALARM1/DOWN button **18**/ALARM2/UP button **16** on the device or the AL1/AL 2 button on the remote control three times until the alarm symbol in the display **4** blinks.
- ◆ Press the ►► button **11** or the ◀◀ button **13** until no more wake tones appear in the display **4**.
- ◆ Press the ALARM1/DOWN button **18**/ALARM2/UP button **16** on the device or the AL1/AL2 button on the remote control again or wait approx. 10 seconds. There are no more wake times programmed.

Automatic Switch-off ("SLEEP" function)

With the sleep function you can listen to your favourite music or your favourite station whilst falling asleep. The device switches itself off after a time between 10 and 90 minutes.

Prerequisite: The device is set to either the radio, AUX IN or iPod/iPhone function.

- ◆ Press the SLEEP button **14**. In the display **4** appears the symbol  and the notice **90**.
- ◆ Press the SLEEP button **14** again to reduce the time in increments of 10 minutes with each button press.
Setting options: 90, 80, 70, 60, 50, 40, 30, 20 or 10 minutes. After five seconds the selected setting is saved.
- ◆ Press the SLEEP button **14** again to switch off the "Sleep" function.
- ◆ To end the sleep function before it is automatically ended press the ⏸/ALARM OFF button **20** or the ⏸ button on the remote control.

Cleaning

Safety instructions

⚠ DANGER**Risk of fatal electrocution!**

- ▶ Remove the plug from the mains power socket before cleaning.

IMPORTANT**Damage to the device!**

- ▶ Make sure when you are cleaning the device that no moisture gets inside in order to avoid irreparable damage to it.

Cleaning the housing

- Clean the surfaces of the device with a soft, dry cloth.

Storage/Disposal

Storage

If you do not intend to use the device for an extended period of time disconnect it from the power supply, remove the batteries and store it in a clean, dry location that is not subjected to direct sunlight.

Disposal of the device



Do not dispose of the device in your normal domestic waste. This product is subject to the European directive 2002/96/EC-WEEE (Waste Electrical and Electronic Equipment).

Dispose of the device through an approved disposal centre or at your community waste facility. Observe the currently applicable regulations. In case of doubt, please contact your waste disposal centre.

Disposing of the batteries

Do not dispose of the batteries with household waste. Every consumer is legally obligated to hand in batteries at a collection centre in his/her community/district or a dealer. This obligation is intended to ensure that batteries are disposed of in an environmentally friendly manner. Hand batteries in only when they are fully discharged.

Troubleshooting

In this chapter you will receive important information for malfunction localization and remedies. Observe the instructions in order to avoid danger and damage.

Safety instructions

⚠ WARNING

Observe the following safety information to avoid danger and property damage:

- ▶ Repairs to electronic devices may only be carried out by specialists who have been trained by the manufacturer. Considerable danger to the consumer and damage to the device can occur as a result of incorrect repairs.

Malfunction causes and remedies

The following table will help with localizing and remedying minor malfunctions:

Defect	Possible cause	Solution
The display is showing nothing.	The plug is not inserted.	Insert the plug into the mains power socket.
	Mains power socket is not supplying power.	Check the circuit fuse.
No sound.	The volume is set to minimum.	Increase the volume with the button 6 on the device or on the remote control.
	Headphones are connected.	Remove the headphones plug from the connection socket 21 .
	Playback of the audio device has not been started.	Start playback of the audio device.
Noisy radio reception	The radio station is not properly tuned in.	Tune the station correctly with the button 11 or the button 13 .
	Reception is too weak.	Try to improve reception by moving the wire antenna 23 .

Defect	Possible cause	Solution
The alarm does not go off.	The alarm time is incorrectly programmed.	Check the programmed wake time.
	The alarm is not programmed.	Programme the alarm correctly.
	The device is not in standby mode.	Switch the device to the standby mode before you go to sleep.
iPod/iPhone does not charge.	The mains power plug is not plugged in.	Insert the plug into the mains power socket.

NOTICE

- If you cannot solve the problem with the aforementioned methods, please contact Customer Service.

Appendix

Information regarding the EC conformity declaration


This device complies regarding conformance to the basic requirements and other relevant regulations of the European directive for electromagnetic compatibility 2004/108/EC, the low voltage directive 2006/95/EC as well as the Eco-design directive 2009/125/EC (Supplement 1275/2008 Appendix II, Nr.1)



The complete original declaration of conformity can be obtained from the importer.

GB
IE

Technical data

Operational voltage	220-240 V / 50 Hz	
Backup batteries	2 x 1.5 V Typ "AA" (supplied)	
Remote control Battery:	3 V, CR 2032	
Power consumption		
Operation with light	50	W
Operation without light	10	W
Standby	approx. 1.7	W
Speaker power output:	2 x 1 W (with 10 % harmonic distortion)	
Headphone Output Voltage	max. 120 mV	
Radio frequency range (VHF)	87.5 - 108 MHz	
Lamp E27	max. 42	W
Operating temperature	+10 - +35	°C
Humidity (no condensation)	5 - 90	%
Dimensions (H x W x D)	29 x 17.5 x 19.5	cm
Weight	approx. 1650	g
Protection class	II 	

Warranty

You receive a 3-year warranty for this device as of the purchase date. This device has been manufactured with care and meticulously examined before delivery.

Please retain your receipt as proof of purchase. In the case of a warranty claim, please get in touch by telephone with our service department. Only in this way can a post-free dispatch for your goods be assured.

NOTICE

- ▶ The warranty adjustment is valid only for material or manufacturing defects not, however, for transport damage, wear and tear or for damage to breakable parts, i.e. switches or rechargeable batteries.

This product is for private use only and is not intended for commercial applications. In the event of misuse and improper handling, use of force and interference not carried out by our authorized service branch, the warranty will become void..

Your statutory rights are not restricted in any way by this warranty. The warranty period is not extended by repairs effected under warranty. This applies also to replaced and repaired parts.

Damages or defects discovered after purchase are to be reported directly after unpacking, at the latest two days after the purchase date.

Repairs carried out after the lapse of the warranty period are subject to charge.

Service

GB DES UK LTD

Tel.: 0871 5000 700 (£ 0.10 / minute)

e-mail: support.uk@kompernass.com

IE Kompernass Service Ireland

Tel: 1850 930 412 (0,082 EUR/Min.)

Standard call rates apply. Mobile operators may vary.

e-mail: support.ie@kompernass.com

Importer

KOMPERNASS GMBH

BURGSTRASSE 21

44867 BOCHUM, GERMANY

www.kompernass.com

Free Manuals Download Website

<http://myh66.com>

<http://usermanuals.us>

<http://www.somanuals.com>

<http://www.4manuals.cc>

<http://www.manual-lib.com>

<http://www.404manual.com>

<http://www.luxmanual.com>

<http://aubethermostatmanual.com>

Golf course search by state

<http://golfingnear.com>

Email search by domain

<http://emailbydomain.com>

Auto manuals search

<http://auto.somanuals.com>

TV manuals search

<http://tv.somanuals.com>