



Illustrated Parts List

Model Series

098900

TYPE NUMBERS
0101 through 2254.

TABLE OF CONTENTS

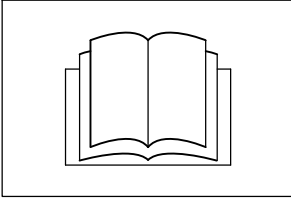
Air Cleaner	5
Blower Housing/Shrouds	7
Brake	6
Camshaft	3
Carburetor	4
Controls	5
Crankcase Cover/Sump	3
Crankshaft	3
Cylinder	2
Cylinder Head	2
Exhaust System	6
Flywheel	7
Fuel Supply	4
Gasket Set – Engine	2
Gasket Set – Valve	2
Governor Spring	5
Ignition	5
Lubrication	2
Operator’s Manual	2
Piston/Rings/Connecting Rod	3
Rewind Starter	7
Warning Label	2

PRINTED IN U.S.A.

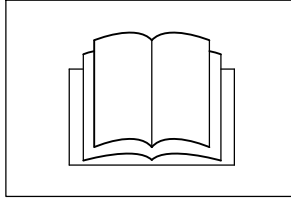


COPYRIGHT by BRIGGS & STRATTON CORPORATION
All rights reserved. No part of this material may be reproduced or transmitted, in any form or by any means, electronic or mechanical, including photocopying, recording or by any information storage and retrieval system, without permission in writing from Briggs & Stratton Corporation.

1058 OPERATOR'S MANUAL



1330 REPAIR MANUAL

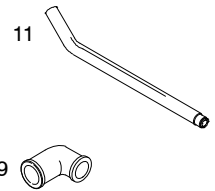
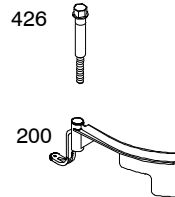
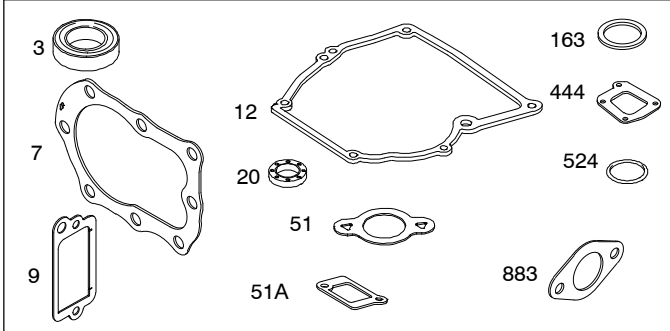


1319 WARNING LABEL

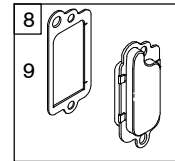
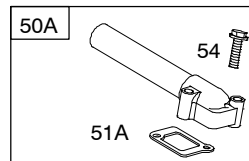
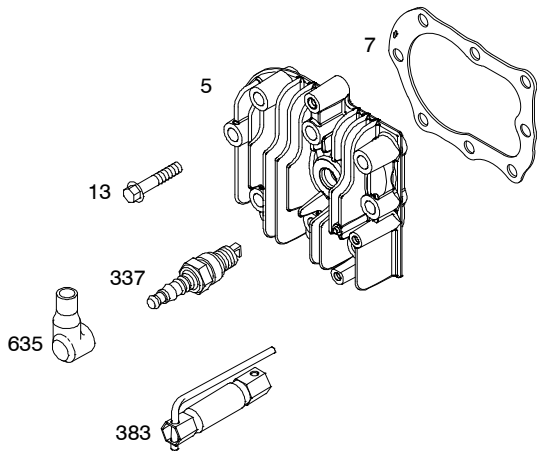
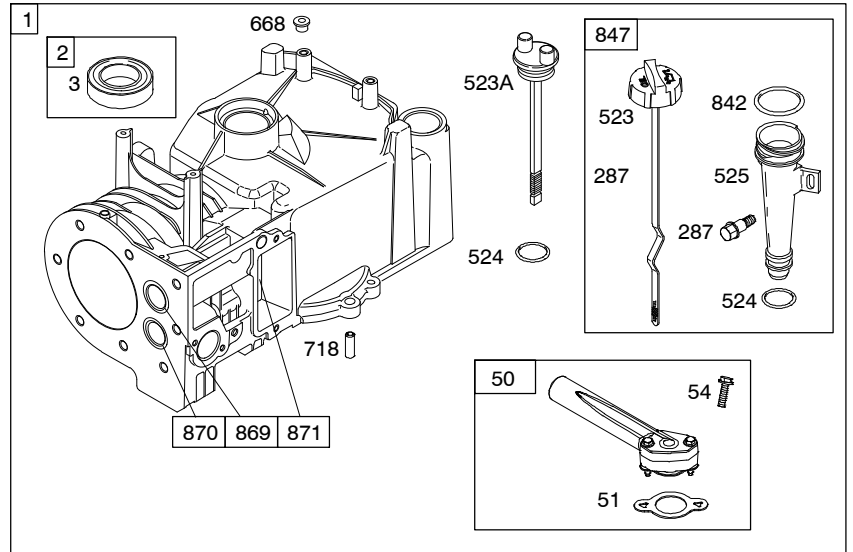
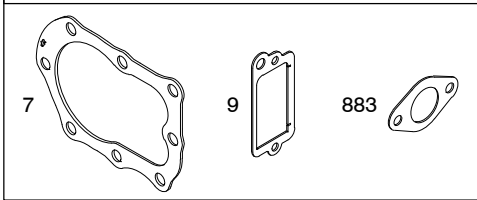
WARNING	
	Read and follow Operating Instructions before running engine.
	Gasoline is flammable. Allow engine to cool at least 2 minutes before refueling.
	Engines emit carbon monoxide, DO NOT run in enclosed area.
	Muffler area temperature may exceed 150°F. Do not touch hot parts.

REQUIRED when replacing parts with warning labels affixed.

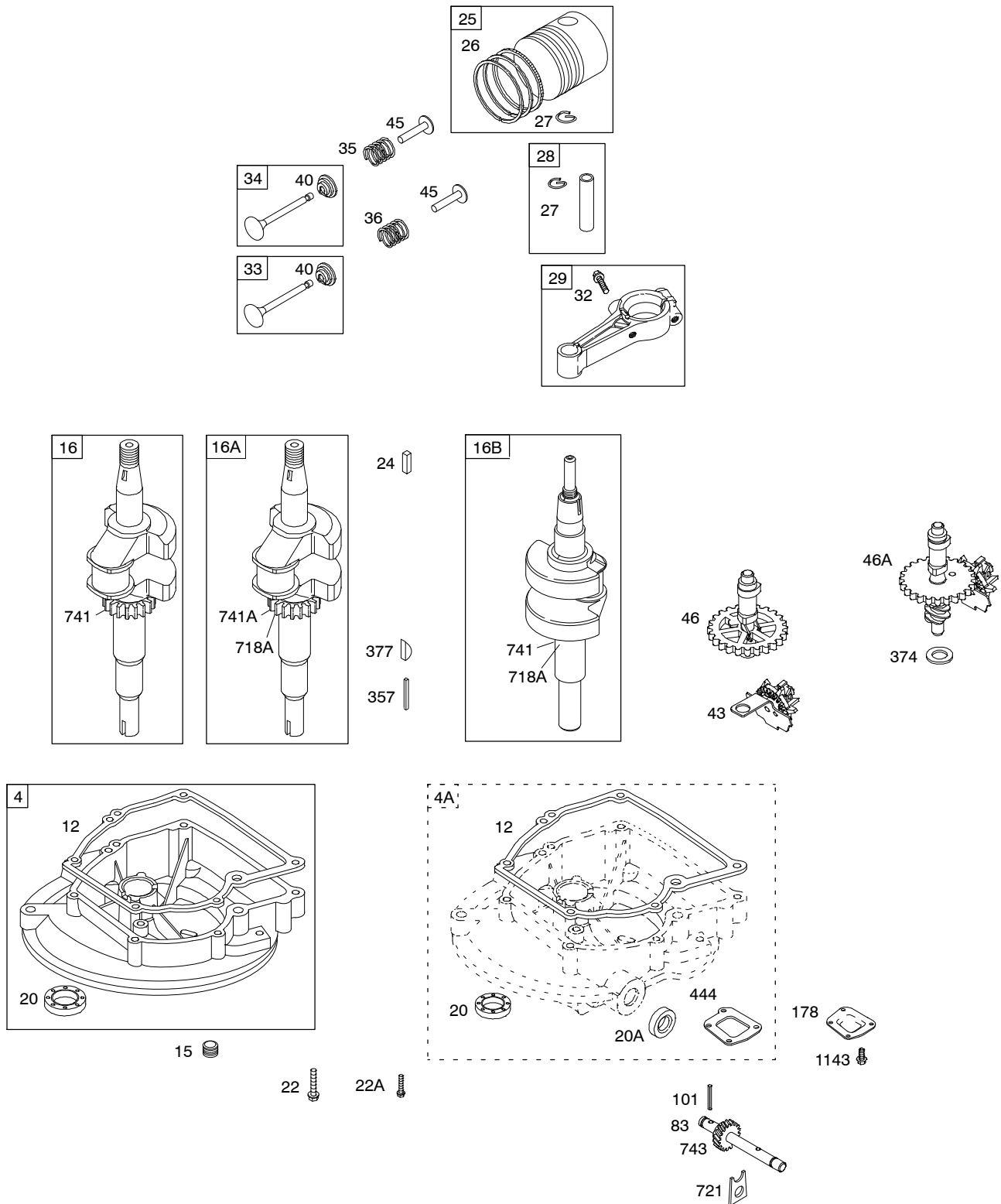
358 ENGINE GASKET SET



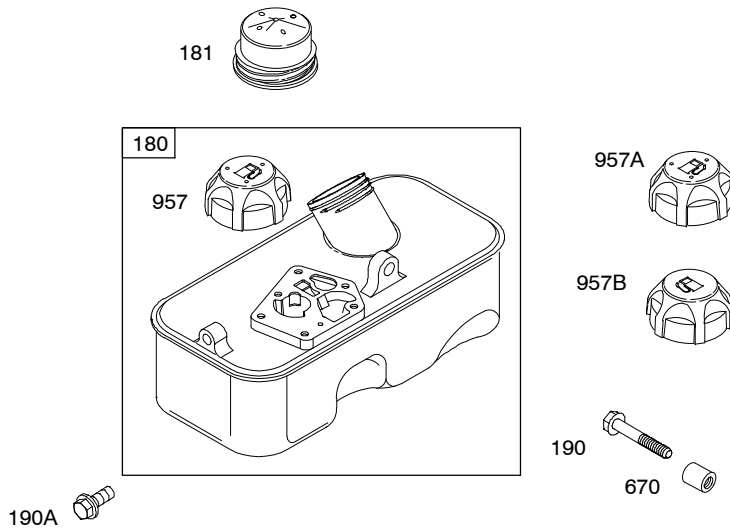
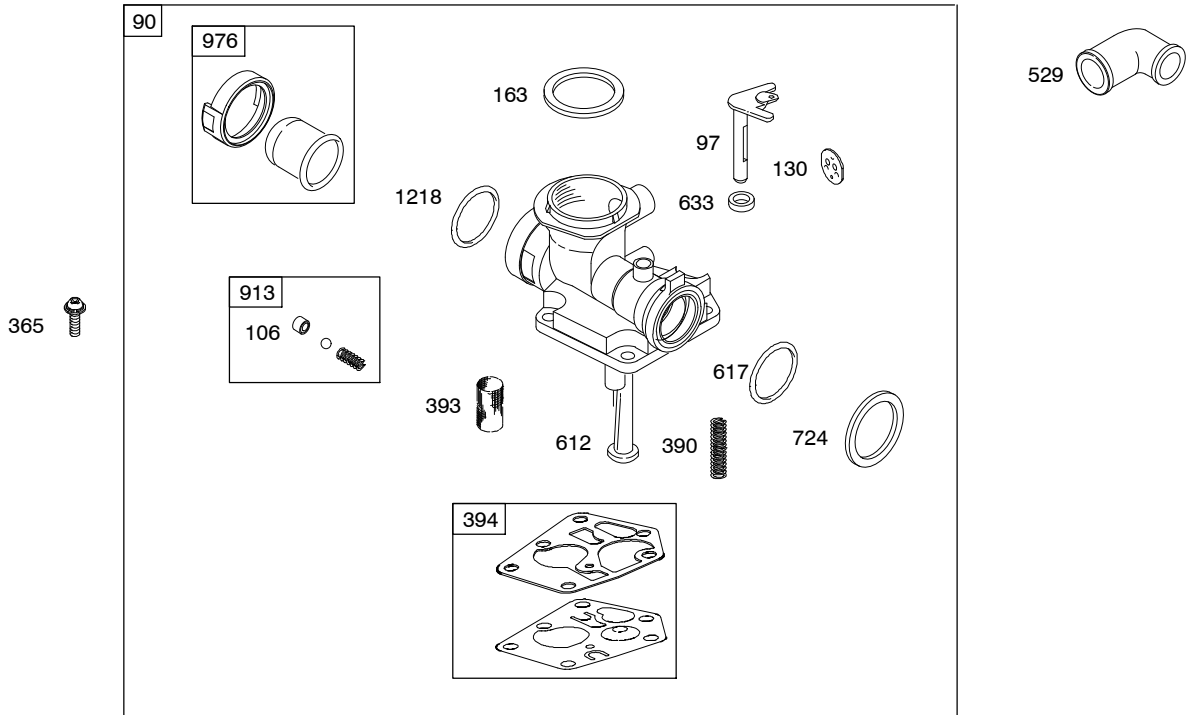
1095 VALVE GASKET SET



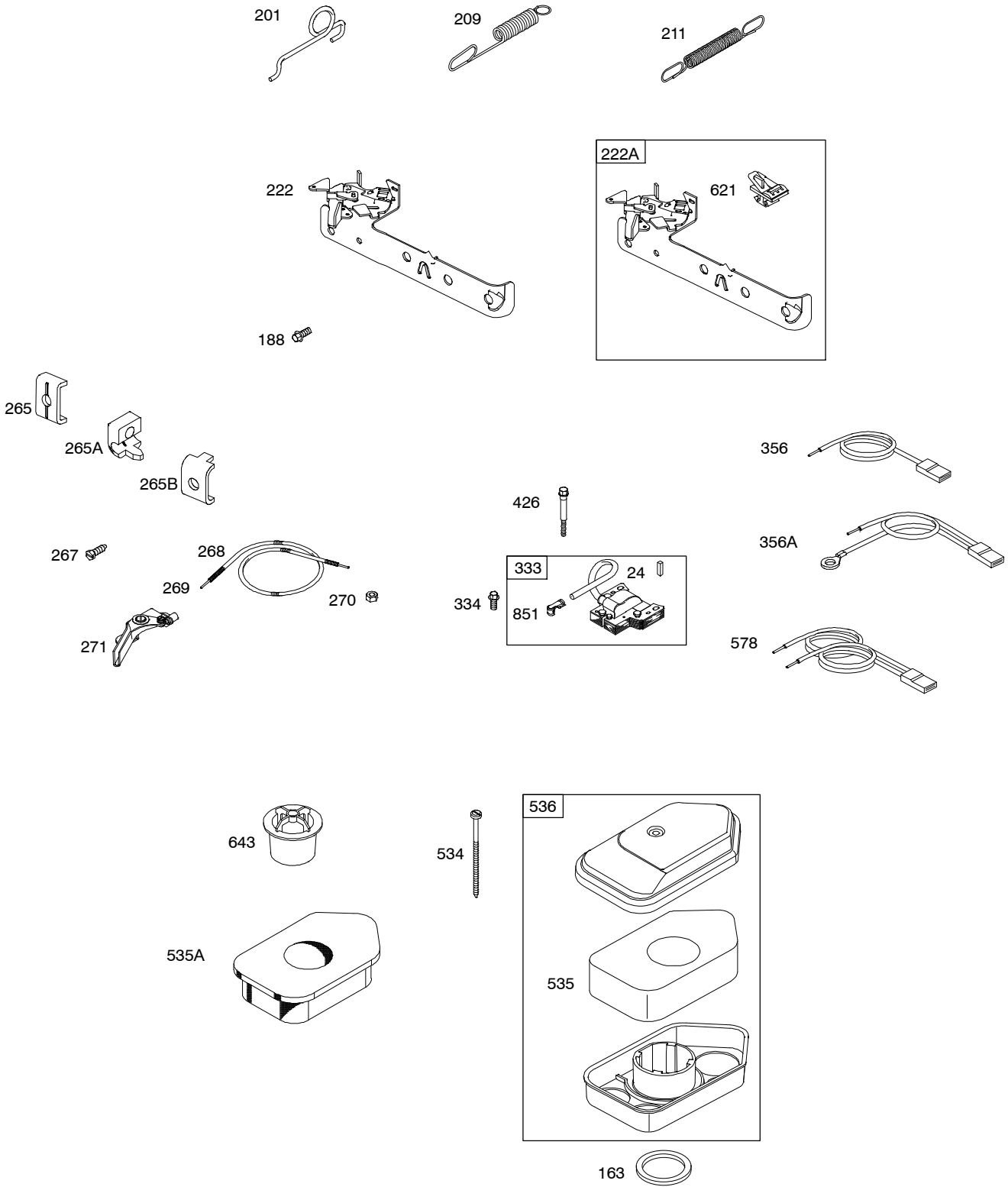
Illustrations cover a range of engines. Parts shown without corresponding text may not be used on your specific engine.



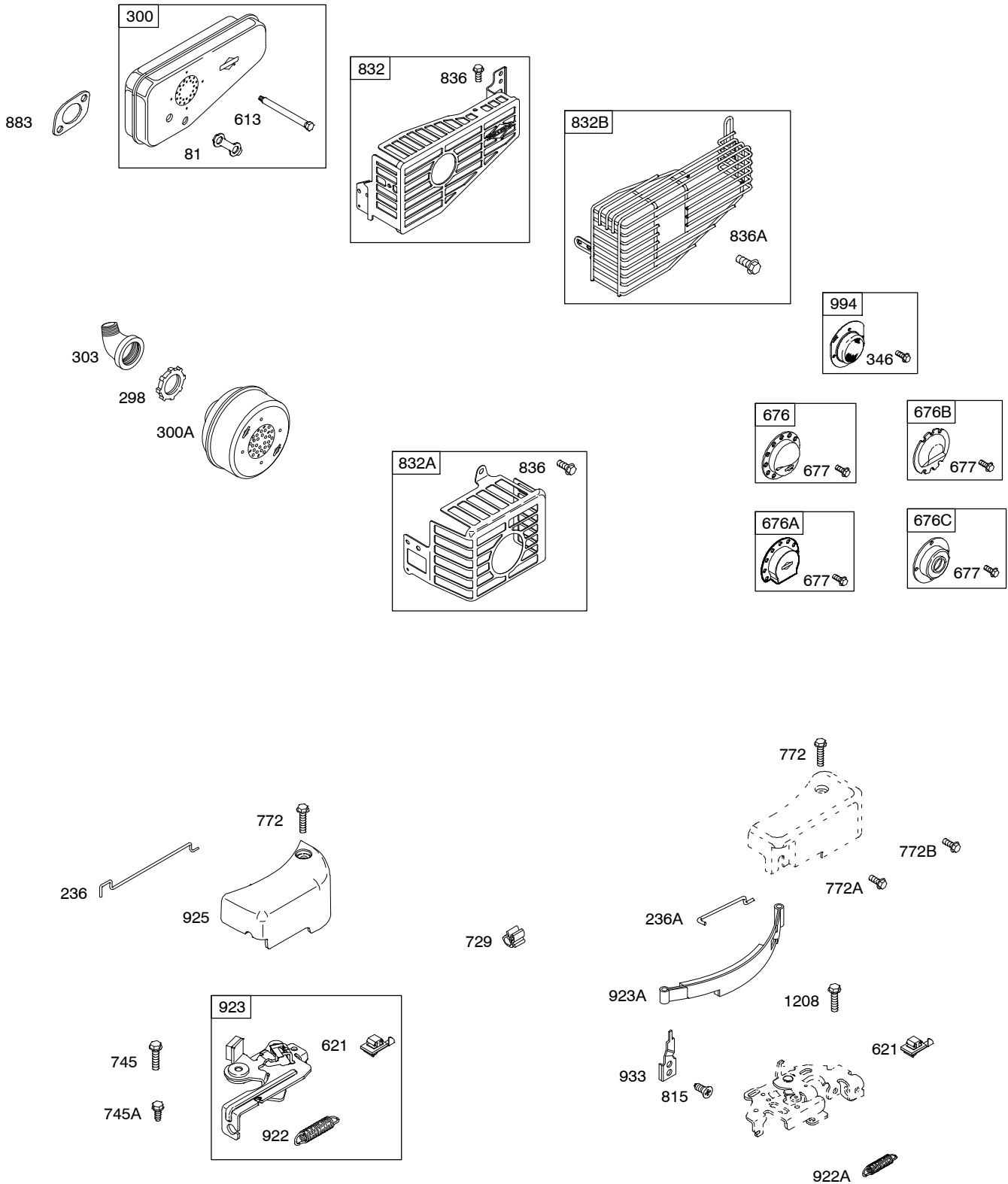
Illustrations cover a range of engines. Parts shown without corresponding text may not be used on your specific engine.



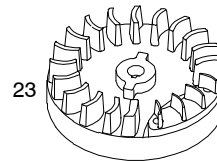
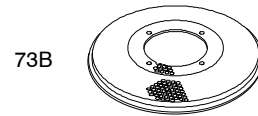
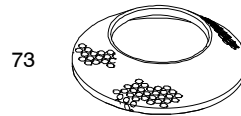
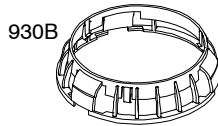
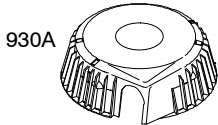
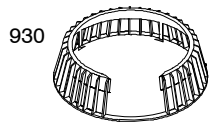
Illustrations cover a range of engines. Parts shown without corresponding text may not be used on your specific engine.
0235-4 Assemblies include all parts shown in frames. 08/08/2008



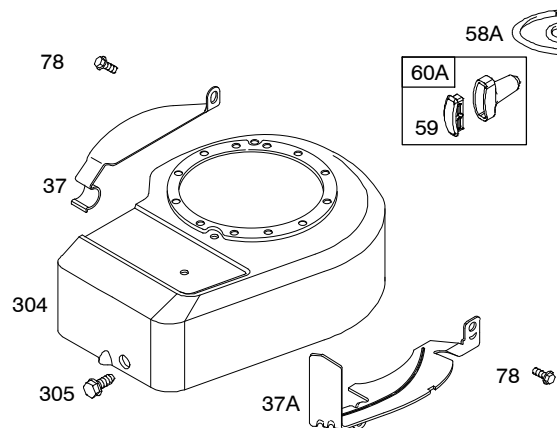
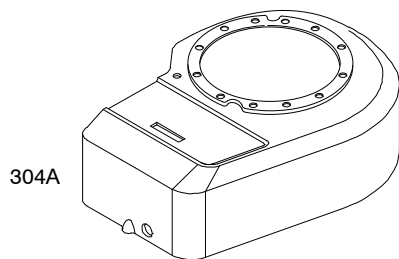
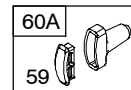
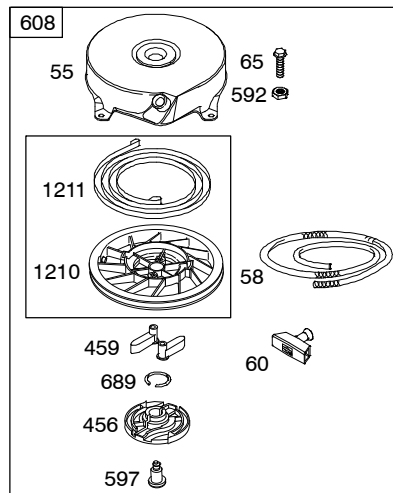
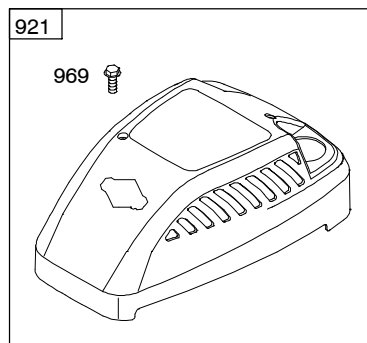
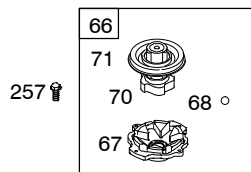
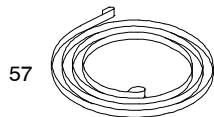
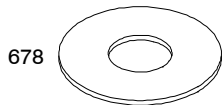
Illustrations cover a range of engines. Parts shown without corresponding text may not be used on your specific engine.
0235-5 Assemblies include all parts shown in frames. 08/08/2008



Illustrations cover a range of engines. Parts shown without corresponding text may not be used on your specific engine.



1036 EMISSIONS LABEL



Illustrations cover a range of engines. Parts shown without corresponding text may not be used on your specific engine.
 0235-7 Assemblies include all parts shown in frames. 08/08/2008

098900

REF. NO.	PART NO.	DESCRIPTION	REF. NO.	PART NO.	DESCRIPTION	REF. NO.	PART NO.	DESCRIPTION
1	699653	Cylinder Assembly			----- Note -----			793062 Crankshaft
2	399269	Kit-Bushing/Seal (Magneto Side)			796211 Crankshaft (Used After Code Date 08071300).			Used on Type No(s). 0115, 0120, 0123, 0128, 0129, 0131, 0132, 0144, 0145, 0151, 0197, 0198, 0306, 0308, 0312, 0313, 0320, 0321, 0323, 0326, 0337, 0338, 0344, 0347, 0350, 0353, 0354, 0358, 0366, 0371, 0373, 0374, 0378, 0380, 0381, 0383, 0386, 0388, 0389, 0395, 0401, 0837, 1144, 1316, 1516, 1644, 2023, 2044, 2045, 2047, 2064, 2098, 2137, 2144, 2147, 2181, 2186, 2213, 2216, 2227, 2232, 2235, 2236, 2238, 2240.
3	★299819S	Seal-Oil (Magneto Side)			Used on Type No(s). 1616, 2013, 2032, 2065, 2078, 2086, 2087, 2100, 2101, 2166, 2178, 2180, 2250, 2251, 2253, 2254.			
4	698691	Sump-Engine (Used After Code Date 02111200).			----- Note -----			
		----- Note -----			395384 Sump-Engine (Used Before Code Date 02111300).			
4A		Sump-Engine (NO LONGER AVAILABLE)			796213 Crankshaft (Used After Code Date 08071300).			
5	790169	Head-Cylinder			Used on Type No(s). 1618.			
7	★△698717	Gasket-Cylinder Head	16A	692990	Crankshaft			
8	791781	Breather Assembly			Used on Type No(s). 0899, 1110, 2026, 2027, 2028, 2029, 2066, 2077, 2085, 2093, 2097, 2099, 2109, 2125, 2163, 2179, 2192, 2194, 2198, 2203, 2207, 2209, 2215, 2229, 2231, 2242, 2243, 2244, 2246.			
9	★△695890	Gasket-Breather			----- Note -----			793062 Crankshaft (Used Before Code Date 08071400).
10	691666	Screw (Breather Assembly)			692990 Crankshaft (Used Before Code Date 08071400).			Used on Type No(s). 1616, 2013, 2032, 2065, 2078, 2086, 2087, 2100, 2101, 2166, 2178, 2180, 2250, 2251, 2253, 2254.
11	691245	Tube-Breather			Used on Type No(s). 1602, 1615, 1650, 1651, 2000, 2001, 2002, 2011, 2012, 2030, 2031, 2033, 2063, 2069, 2070, 2139, 2210, 2239, 2249, 2252.			692991 Crankshaft Used on Type No(s). 1603, 1607, 1612, 2010, 2024, 2025, 2050, 2202, 2211, 2212, 2214, 2217, 2222, 2224, 2225, 2228, 2234, 2237, 2247, 2248.
12	★692218	Gasket-Crankcase (Standard) (.015" Thick)						
		----- Note -----						
		★270895 Gasket-Crankcase (.005" Thick)						
		★270896 Gasket-Crankcase (.009" Thick)						
13	691640	Screw (Cylinder Head)						
15	691680	Plug-Oil Drain						
16	796212	Crankshaft (Used After Code Date 08071300).						
		Used on Type No(s). 1602, 1615, 1650, 1651, 2000, 2001, 2002, 2011, 2012, 2030, 2031, 2033, 2063, 2069, 2070, 2139, 2210, 2239, 2249, 2252.						

★ Engine Gasket Set-Reference 358

△ Valve Gasket Set-Reference 1095

Illustrations cover a range of engines. Parts shown without corresponding text may not be used on your specific engine.

0235-8

Assemblies include all parts shown in frames.

08/08/2008

REF. NO.	PART NO.	DESCRIPTION	REF. NO.	PART NO.	DESCRIPTION	REF. NO.	PART NO.	DESCRIPTION		
16B	492748	Crankshaft ----- Note ----- 496069 Crankshaft Used on Type No(s). 0130, 2030. 690805 Crankshaft Used on Type No(s). 0125, 0139, 0140, 0143, 0148, 0167, 0322, 0328, 0364, 0402, 0866, 0891, 1303, 1304, 1305, 1318, 1518, 2043. 493618 Crankshaft Used on Type No(s). 0119, 0137, 0141, 0341, 0359, 0382.	23	795549	Flywheel ----- Note ----- 795695 Flywheel (Used After Code Date 08012900). Used on Type No(s). 1602, 1603, 2069, 2250, 2251. 690843 Flywheel (Used Before Code Date 08013000). Used on Type No(s). 1602, 1603, 2069, 2250, 2251. 690843 Flywheel Used on Type No(s). 0115, 0132, 0137, 0138, 0139, 0141, 0143, 0145, 0328, 0345, 0346, 0347, 0358, 0364, 0369, 0382, 0386, 0395, 0890, 1302, 1303, 1304, 1305, 1446, 2043, 2044, 2045, 2047, 2050, 2146, 2147, 2186, 2222, 2224, 2228.					792532 Piston Assembly (.020" Oversize) (Used After Code Date 92092800). 298906 Piston Assembly (.020" Oversize) (Used Before Code Date 92092900).
20	*391483S	Seal-Oil (PTO Side)	24	222698S	Key-Flywheel	26	790909	Ring Set (Standard) (Used After Code Date 04111400). ----- Note ----- 699658 Ring Set (Standard) (Used After Code Date 030803000 and Before Code Date 04111500). 498680 Ring Set (Standard) (Used After Code Date 92092800 and Before Code Date 03080400). 298982 Ring Set (Standard) (Used Before Code Date 92092900).		
20A	*691952	Seal-Oil (PTO Side) (Auxiliary PTO)	25	790908	Piston Assembly (Standard) (Used After Code Date 04111400). ----- Note ----- 699657 Piston Assembly (Standard) (Used After Code Date 030803000 and Before Code Date 04111500). 790908 Piston Assembly (Standard) (Used After Code Date 92092800 and Before Code Date 03080400). 793214 Piston Assembly (Standard) (Used Before Code Date 92092900).			795134 Ring Set (.020" Oversize) (Used After Code Date 04111400). 498682 Ring Set (.020" Oversize) (Used After Code Date 96020500 and Before Code Date 04111500). 298984 Ring Set (.020" Oversize) (Used Before Code Date 96020600).		
22	692551	Screw (Crankcase Cover/Sump) (1 3/16" Long)				27	691588	Lock-Piston Pin		
22A	691108	Screw (Crankcase Cover/Sump) (3/4" Long)				28	699659	Pin-Piston (Standard) (Used After Code Date 03080300). ----- Note ----- 298909 Pin-Piston (Standard) (Used Before Code Date 03080400).		

★ Engine Gasket Set-Reference 358

△ Valve Gasket Set-Reference 1095

Illustrations cover a range of engines. Parts shown without corresponding text may not be used on your specific engine.

0235-9

Assemblies include all parts shown in frames.

08/08/2008

098900

REF. NO.	PART NO.	DESCRIPTION	REF. NO.	PART NO.	DESCRIPTION	REF. NO.	PART NO.	DESCRIPTION
29	699655	Rod-Connecting (Standard)	50A	693446	Manifold-Intake (Used Before Code Date 03080400).	78	692198	Screw (Flywheel Guard)
32	691664	Screw (Connecting Rod)	51	*699649	Gasket-Intake (Used After Code Date 03080300).	81	691179	Lock-Muffler Screw
33	296676	Valve-Exhaust	51A	270345S	Gasket-Intake (Used Before Code Date 03080400).	83	691240	Shaft-Auxiliary Drive ----- Note ----- 690506 Shaft-Auxiliary Drive Used on Type No(s). 0396, 1350, 1650, 2196.
34	296677	Valve-Intake	54	691111	Screw (Intake Manifold)			690514 Shaft-Auxiliary Drive Used on Type No(s). 0147, 0317, 0319, 0390, 0399, 0407, 2207.
35	690520	Spring-Valve (Intake)	55	692144	Housing-Rewind Starter			691249 Shaft-Auxiliary Drive Used on Type No(s). 0117, 0133, 0149, 0371, 0373, 0374, 0378, 0849, 2049, 2178, 2211.
36	690520	Spring-Valve (Exhaust)	56	281336S	Pulley-Starter	90	498809	Carburetor (Used After Code Date 96051900). ----- Note ----- 494775 Carburetor (Used Before Code Date 96052000).
37	690482	Guard-Flywheel (Carburetor Side)	57	490179	Spring-Rewind Starter			97 691931 Shaft-Throttle
37A	691209	Guard-Flywheel (Muffler Side)	58	697316	Rope-Starter (88 5/8" Long)			101 691623 Pin-Shaft
40	692194	Retainer-Valve	58A	691921	Rope-Starter (70" Long)			106 691901 Seat-Inlet
43	698690	Slinger-Governor/Oil (Used After Code Date 02110400). ----- Note ----- 691983 Slinger-Governor/Oil (Used Before Code Date 02110500).	59	396892	Insert-Grip			130 691190 Valve-Throttle
45	691762	Tappet-Valve	60	691915	Grip-Starter Rope			163 *271139S Gasket-Air Cleaner
46	691998	Camshaft	60A	393152	Grip-Starter Rope			178 690398 Cover-Drive Gear
46A	690645	Camshaft (Clockwise) Used on Type No(s). 0123, 0165, 0371, 0373, 0374, 0378, 0865, 1351, 1551, 1651, 2065, 2178. ----- Note ----- 690644 Camshaft (Counterclockwise) Used on Type No(s). 0114, 0117, 0121, 0126, 0127, 0133, 0147, 0149, 0166, 0317, 0319, 0390, 0394, 0396, 0399, 0407, 0849, 1350, 1650, 2026, 2027, 2049, 2066, 2194, 2196, 2207, 2211.	65	690837	Screw (Rewind Starter)			180 494406 Tank-Fuel
50	699644	Manifold-Intake (Used After Code Date 03080300).	66	399671	Clutch-Starter (Used Before Code Date 97060600).			181 493982S Cap-Fuel Tank
			67	394897	Housing-Clutch (Used Before Code Date 97060600).			188 692198 Screw (Control Bracket)
			68	691604	Ball-Clutch (Used Before Code Date 97060600).			190 691640 Screw (Fuel Tank) (1 3/4" Long)
			70	691945	Ratchet-Clutch			190A 691108 Screw (Fuel Tank) (9/16" Long)
			71	691359	Cover-Ratchet (Used Before Code Date 97060600).			200 691912 Blade-Governor
			73	699850	Screen-Rotating (Used After Code Date 97060500).			201 690347 Link-Air Vane
			73B	691725	Screen-Rotating (Used Before Code Date 97060600).			
			74	690345	Screw (Rotating Screen)			
			75	691736	Washer (Flywheel)			

* Engine Gasket Set-Reference 358

Δ Valve Gasket Set-Reference 1095

Illustrations cover a range of engines. Parts shown without corresponding text may not be used on your specific engine.

0235-10

Assemblies include all parts shown in frames.

08/08/2008

REF. NO.	PART NO.	DESCRIPTION	REF. NO.	PART NO.	DESCRIPTION	REF. NO.	PART NO.	DESCRIPTION
209	691297	Spring-Governor (Used After Code Date 96051900). ----- Note ----- 262760 Spring-Governor (Used Before Code Date 96052000). 690251 Spring-Governor (Used After Code Date 96051900). Used on Type No(s). 0120, 0121, 0123, 0125, 0126, 0127, 0128, 0131, 0140, 0141, 0144, 0147, 0148, 0150, 0151, 0166, 0167, 0197, 0312, 0313, 0314, 0317, 0319, 0320, 0325, 0347, 0353, 0366, 0367, 0370, 0379, 0380, 0382, 0383, 0386, 0388, 0390, 0392, 0393, 0396, 0397, 0398, 0399, 0401, 0891, 1144, 1315, 1316, 1318, 1350, 1351, 1515, 1516, 1518, 1551, 1612, 1615, 1616, 1618, 1644, 1650, 1651, 2002, 2012, 2023, 2024, 2025, 2026, 2027, 2044, 2066, 2078, 2086, 2087, 2093, 2097, 2100, 2101, 2125, 2139, 2147, 2166, 2179, 2180, 2181, 2186, 2192, 2193, 2194, 2196, 2197, 2198, 2209, 2212, 2214, 2227, 2229, 2231, 2232, 2234, 2235, 2243, 2253.			692211 Spring-Governor (Used Before Code Date 96052000). Used on Type No(s). 0120, 0121, 0123, 0125, 0126, 0127, 0128, 0131, 0140, 0147, 0148, 0150, 0151, 0166, 0167, 0197, 0312, 0313, 0314, 0317, 0319, 0320, 0325, 0353, 0358, 0362, 0366, 0367, 0370, 0371, 0373, 0379, 0380, 0383, 0388, 0390, 0392, 0393, 0394, 0396, 0397, 0398, 0399, 0401, 1144, 1305, 1315, 1316, 1318, 1350, 1351, 2222. 690252 Spring-Governor (Used After Code Date 96051900). Used on Type No(s). 0115, 0129, 0132, 0137, 0138, 0139, 0143, 0145, 0307, 0322, 0328, 0345, 0346, 0352, 0363, 0364, 0368, 0369, 0372, 0377, 0381, 0395, 0402, 0890, 1302, 1303, 1304, 1446, 1472, 1477, 2043, 2050, 2146, 2168, 2224. 262942 Spring-Governor (Used Before Code Date 96052000). Used on Type No(s). 0115, 0132, 0137, 0139, 0143, 0307, 0322, 0328, 0352, 0363, 0364, 0368, 0372, 0377, 0381, 0395, 0402, 1304.			262943 Spring-Governor (Used Before Code Date 96052000). Used on Type No(s). 0129, 0138, 0345, 0346, 0369, 1302, 1303. 690254 Spring-Governor (Used After Code Date 96051900). Used on Type No(s). 0358, 0362, 0371, 0394, 1305, 2013, 2045, 2047, 2147, 2178, 2250, 2251. 692531 Spring-Governor (Used Before Code Date 96052000). Used on Type No(s). 0141, 0309, 0376, 0385, 0403. 691861 Spring-Governor (Used After Code Date 96051900). Used on Type No(s). 0373, 0374, 0378, 2238. 690253 Spring-Governor (Used Before Code Date 96052000). Used on Type No(s). 0373, 0374, 0378. 690250 Spring-Governor Used on Type No(s). 1602, 1603, 2032, 2063, 2069, 2077, 2163E1, 2202, 2210, 2215, 2225, 2246. 692698 Spring-Governor Used on Type No(s). 2222, 2228. 691862 Spring-Governor Used on Type No(s). 0145, 2163B1.

★ Engine Gasket Set-Reference 358

△ Valve Gasket Set-Reference 1095

Illustrations cover a range of engines. Parts shown without corresponding text may not be used on your specific engine.
0235-11 **Assemblies include all parts shown in frames.** 08/08/2008

098900

REF. NO.	PART NO.	DESCRIPTION	REF. NO.	PART NO.	DESCRIPTION	REF. NO.	PART NO.	DESCRIPTION	
211	691859	Spring-Governed Idle	236A	691826	Link-Lockout (Used Before Code Date 97071400).	304A	694051	Housing-Blower (Non Compliance Engines) Used on Type No(s). 2013.	
222	691446	Bracket-Control Used on Type No(s). 0101, 0110, 0114, 0117, 0119, 0121, 0123, 0125, 0126, 0127, 0128, 0129, 0130, 0131, 0133, 0134, 0140, 0142, 0147, 0148, 0149, 0150, 0151, 0165, 0166, 0167, 0168, 0197, 0198, 0199, 0300, 0310, 0312, 0313, 0314, 0317, 0319, 0320, 0321, 0323, 0325, 0330, 0334, 0337, 0341, 0350, 0355, 0360, 0361, 0362, 0365, 0370, 0371, 0376, 0379, 0380, 0383, 0388, 0390, 0391, 0392, 0393, 0394, 0396, 0397, 0398, 0399, 0404, 0407, 0810, 0837, 0849, 0865, 0866, 0891, 0899, 1110, 1607, 2000, 2001, 2002, 2010, 2023, 2024, 2025, 2026, 2027, 2029, 2030, 2031, 2032, 2042, 2049, 2065, 2066, 2068, 2093, 2097, 2098, 2099, 2100, 2103, 2110, 2125, 2137, 2139, 2179, 2180, 2181, 2191, 2192, 2193, 2194, 2196, 2197, 2198, 2204, 2207, 2209, 2211, 2212, 2213, 2217, 2229, 2234, 2235, 2236, 2237, 2238, 2240, 2244, 2247, 2248, 2253, 2254.	257	691660	Screw (Starter Clutch)	305	692198	Screw (Blower Housing)	
			265	692179	Clamp-Casing	332	690662	Nut (Flywheel)	
			265A	690798	Clamp-Casing	333	793281	Armature-Magneto	
			265B	691024	Clamp-Casing	334	691061	Screw (Magneto Armature)	
			267	691044	Screw (Casing Clamp)	337	802592S	Plug-Spark ----- Note ----- 697451 Plug-Spark Used on Type No(s). 1615, 1650, 1651, 2002, 2011, 2012, 2013, 2023, 2024, 2031, 2032, 2033, 2063, 2064, 2065, 2069, 2070, 2085, 2086, 2087, 2093, 2097, 2101, 2103, 2137, 2139, 2163, 2166, 2178, 2180, 2181, 2186, 2192, 2194, 2210, 2216, 2225, 2232, 2246, 2248, 2249, 2251, 2253.	
			268	691025	Casing-Control Wire (Cut To Required Length)	346	690661	Screw (Spark Arrestor)	
			269	691026	Wire-Control (Cut To Required Length)	356	692390	Wire-Stop	
			270	691027	Nut (Control Wire Casing)	356A	398808	Wire-Stop	
			271	691028	Lever-Control	357	692191	Key-Drive Pulley	
			287	691002	Screw (Dipstick Tube)	358	794209	Gasket Set-Engine	
			298	691720	Locknut-Muffler/Elbow	363	19069	Puller-Flywheel	
			300	692307	Muffler (Super Lo Tone)	365	790029	Screw (Carburetor)	
			300A	394569S	Muffler (Round Lo Tone)	374	691074	Washer (Camshaft)	
			303	690291	Elbow-Exhaust				
			304	691484	Housing-Blower (Compliance Engines) ----- Note ----- 692536 Housing- Blower (Non Compliance Engines) Used on Type No(s). 1602, 1603, 2011, 2012, 2028, 2033, 2044, 2045, 2047, 2050, 2063, 2064, 2065, 2069, 2070, 2077, 2078, 2085, 2086, 2087, 2101, 2109, 2144, 2147, 2163, 2178, 2186, 2202, 2203, 2210, 2214, 2215, 2216, 2222, 2224, 2225, 2227, 2228, 2232, 2239, 2242, 2243, 2246, 2249, 2250, 2251, 2252.				
222A	691445	Bracket-Control							
236	691867	Link-Lockout (Used After Code Date 97071300).							

★ Engine Gasket Set-Reference 358

△ Valve Gasket Set-Reference 1095

Illustrations cover a range of engines. Parts shown without corresponding text may not be used on your specific engine.

0235-12

Assemblies include all parts shown in frames.

08/08/2008

REF. NO.	PART NO.	DESCRIPTION	REF. NO.	PART NO.	DESCRIPTION	REF. NO.	PART NO.	DESCRIPTION		
377	692193	Key-Woodruff	612	496046S	Tube-Pick Up	677	690661	Screw (Muffler Deflector)		
383	89838S	Wrench-Spark Plug	613	691413	Screw (Muffler)	678	691924	Spacer-Rewind		
390	691839	Spring-Choke Diaphragm	617	270344S	Seal-O Ring (Intake Manifold)	689	691855	Spring-Friction		
393	691837	Screen-Carburetor	621	692310	Switch-Stop	718	690959	Pin-Locating (Cylinder)		
394	795083	Diaphragm-Carburetor (Used After Code Date 07080800). ----- Note ----- 495770 Diaphragm- Carburetor (Used Before Code Date 07080900).	633	691321	Seal-Choke/Throttle Shaft (Throttle)	718A	499047	Pin-Locating (Crankshaft) (Used Before Code Date 08071400).		
426	691107	Screw (Governor Blade)	635	66538S	Boot-Spark Plug	721	690397	Stop-Shaft		
444	★691868	Gasket-Drive Gear Cover	643	691911	Retainer-Air Filter	724	697478	Retainer-Seal		
455	691236	Cup-Flywheel	668	692889	Spacer (Cylinder)	729	690586	Clip-Wire		
456	692299	Plate-Pawl Friction	670	691633	Spacer-Fuel Tank (Non Compliance Engines) (13/16" Long) (Used After Code Date 97071300).	741	796210	Gear-Timing (Used After Code Date 08071300).		
459	281505S	Pawl-Ratchet			----- Note ----- 691631 Spacer-Fuel Tank (Compliance Engines) (11/16" Long) (Used Before Code Date 97071400).	741A	691805	Gear-Timing (Used Before Code Date 08071400).		
523	692040	Dipstick			676	396548	Deflector-Muffler Used on Type No(s). 0132, 0319, 0328, 0369, 2069.	743	690516	Gear-Drive ----- Note ----- 691772 Gear-Drive (Counterclockwise) Used on Type No(s). 0114, 0117, 0121, 0126, 0127, 0133, 0147, 0149, 0166, 0317, 0319, 0390, 0394, 0396, 0399, 0407, 0849, 1350, 1650, 2026, 2027, 2049, 2066, 2194, 2196, 2207, 2211.
523A	691913	Dipstick	676A	393760	Deflector-Muffler Used on Type No(s). 0317, 0341, 0346, 0402, 0890, 1446, 2027, 2146, 2202, 2225, 2231.	745	691146	Screw (Brake) (7/8" Long)		
524	★691876	Seal-Dipstick Tube	676B	393756	Deflector-Muffler Used on Type No(s). 0147, 0322, 0341, 0345, 0359, 0381, 0382, 1315, 1316, 1318, 1350, 1351, 1515, 1516, 1518, 1612, 1615, 1616, 1618, 1650, 1651, 2027, 2045, 2214.	745A	690859	Screw (Brake) (1/2" Long)		
525	691320	Tube-Dipstick	676C	397931	Deflector-Muffler Used on Type No(s). 0374, 0378, 2178, 2211.	772	691183	Screw (Linkage Cover) (3/4" Long) (Top)		
529	692189	Grommet				772A	690345	Screw (Linkage Cover) (7/16" Long) (Front)		
534	691417	Screw (Air Cleaner)								
535	698369	Filter-Air Cleaner Foam (Used After Code Date 02101000).								
535A	272235S	Filter-Air Cleaner Foam (Used Before Code Date 02101100).								
536	698472	Cleaner-Air								
578	398153	Wire Assembly								
592	690800	Nut (Rewind Starter)								
597	691696	Screw (Pawl Friction Plate)								
608	690101	Starter-Rewind (70" Rope) ----- Note ----- 499706 Starter-Rope (88 5/8" Rope) 499925 Starter- Rewind (88 5/8" Rope) Used on Type No(s). 0890.								

★ Engine Gasket Set-Reference 358

△ Valve Gasket Set-Reference 1095

Illustrations cover a range of engines. Parts shown without corresponding text may not be used on your specific engine.
0235-13 Assemblies include all parts shown in frames. 08/08/2008

098900

REF. NO.	PART NO.	DESCRIPTION	REF. NO.	PART NO.	DESCRIPTION	REF. NO.	PART NO.	DESCRIPTION
772B	691111	Screw (Linkage Cover) (1 1/8" Long) (Front)	871	699643	Bushing-Valve Guide (Exhaust Valve) (Used After Code Date 03080300).	957B	791129	Cap-Fuel Tank (Black) Used on Type No(s). 2011, 2050, 2224, 2228.
815	690324	Screw (Band Brake Pivot)			----- Note -----	969	694046	Screw (Blower Housing Cover) (2 1/3" Long) Used on Type No(s). 2013.
832	699299	Guard-Muffler			231348 Bushing-Valve Guide (Exhaust Valve) (Used Before Code Date 03080400).	976	694394	Primer-Carburetor
832A	699670	Guard-Muffler	883	★Δ691880	Gasket-Exhaust	994	398067	Arrestor-Spark
832B	790743	Guard-Muffler	913	494409	Seat-Check Valve	1036		Label-Emissions (Available From A Briggs & Stratton Authorized Dealer)
836	690664	Screw (Muffler Guard) (13/32" Long)	921	694044	Cover-Blower Housing Used on Type No(s). 2013.	1058	277038	Operator's Manual
836A	790745	Screw (Muffler Guard) (1/2" Long)	922	692135	Spring-Brake (Used After Code Date 97071300).	1095	498526	Gasket Set-Valve
842	★691870	Seal-O Ring (Dipstick Tube)	922A	691809	Spring-Brake (Used Before Code Date 97071400).	1143	691141	Screw (Drive Gear Cover)
847	691440	Dipstick/Tube Assembly	923	691487	Brake	1208	691146	Screw (Brake Bracket)
851	493880S	Terminal-Spark Plug	923A	394867	Brake	1210	499901	Pulley/Spring Assembly (Pulley)
869	699641	Seat-Valve (Intake) (Used After Code Date 03080300).	925	691349	Cover-Linkage (Used After Code Date 97071300).	1211	499901	Pulley/Spring Assembly (Spring)
		----- Note -----	930	691330	Guard-Rewind	1218	695866	Seal-O Ring (Carburetor)
		691701 Seat-Valve (Intake) (Used Before Code Date 03080400).	930A	690601	Guard-Rewind	1319	794467	Label-Warning
870	699642	Seat-Valve (Exhaust) (Used After Code Date 03080300).	930B	691348	Guard-Rewind	1330	270962	Repair Manual
		----- Note -----	933	690428	Pivot-Band Brake			
		691702 Seat-Valve (Exhaust) (Used Before Code Date 03080400).	957	497929S	Cap-Fuel Tank (Black)			
			957A	692050	Cap-Fuel Tank (Red) Used on Type No(s). 0149, 0165, 0849, 1110, 2049, 2065.			

★ Engine Gasket Set-Reference 358

Δ Valve Gasket Set-Reference 1095

Illustrations cover a range of engines. Parts shown without corresponding text may not be used on your specific engine.

0235-14

Assemblies include all parts shown in frames.

08/08/2008



Free Manuals Download Website

<http://myh66.com>

<http://usermanuals.us>

<http://www.somanuals.com>

<http://www.4manuals.cc>

<http://www.manual-lib.com>

<http://www.404manual.com>

<http://www.luxmanual.com>

<http://aubethermostatmanual.com>

Golf course search by state

<http://golfingnear.com>

Email search by domain

<http://emailbydomain.com>

Auto manuals search

<http://auto.somanuals.com>

TV manuals search

<http://tv.somanuals.com>