



Illustrated Parts List

Model Series

204400

TYPE NUMBERS
0036 through 0536.

TABLE OF CONTENTS

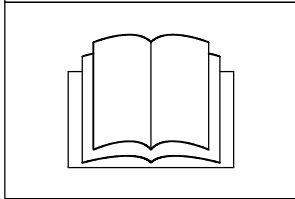
Air Cleaner	5
Alternator	9
Blower Housing/Shrouds	6
Camshaft	2
Carburetor	4
Controls	7
Crankcase Cover	2
Crankshaft	2
Cylinder	2
Cylinder Head	3
Electric Starter	8
Exhaust System	5
Flywheel	6
Fuel Supply	8
Gasket Set - Engine	3
Gasket Set - Valve	3
Governor Spring	7
Ignition	9
Kit - Carburetor Overhaul	4
Lubrication	2
Operator's Manual	2
Piston/Rings/Connecting Rod	2
Rewind Starter	6
Valves	3
Warning Label	2



PRINTED IN U.S.A.

COPYRIGHT by BRIGGS & STRATTON CORPORATION
All rights reserved. No part of this material may be reproduced or transmitted, in any form or by any means, electronic or mechanical, including photocopying, recording or by any information storage and retrieval system, without permission in writing from Briggs & Stratton Corporation.

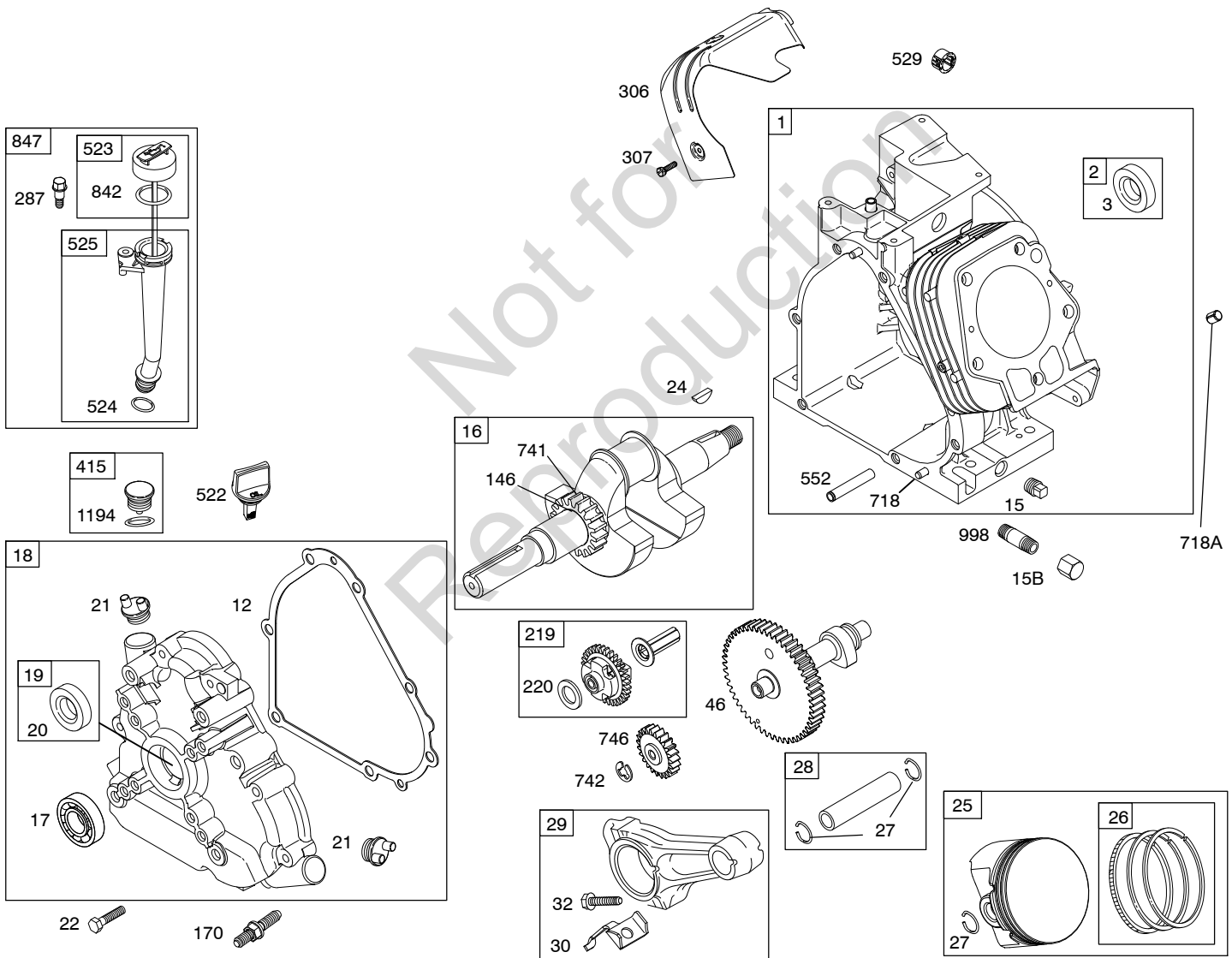
1058 OPERATOR'S MANUAL



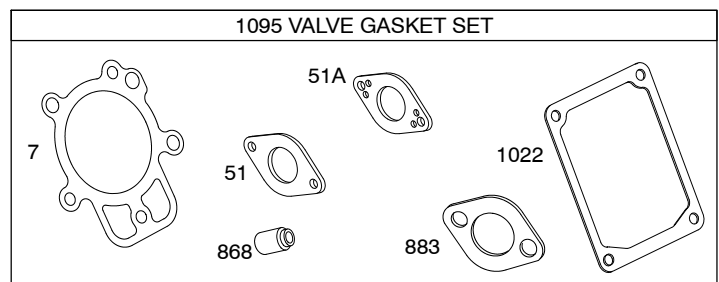
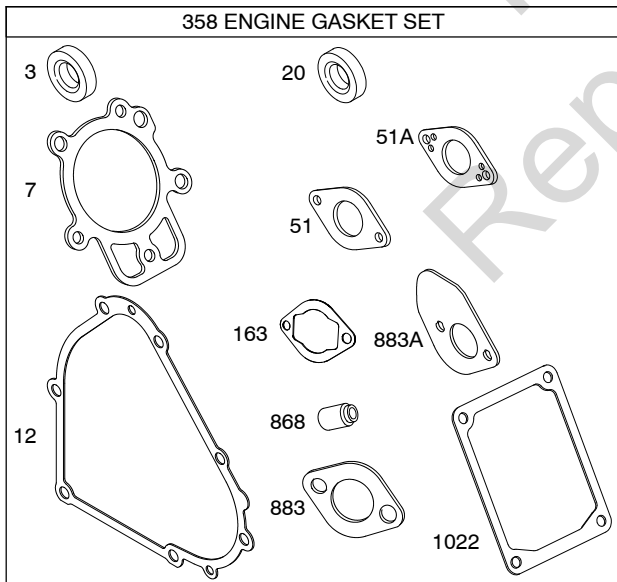
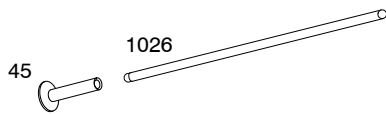
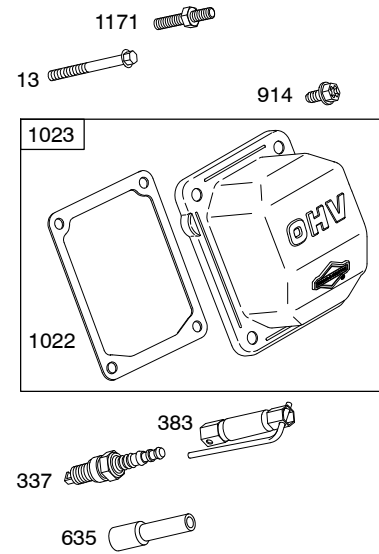
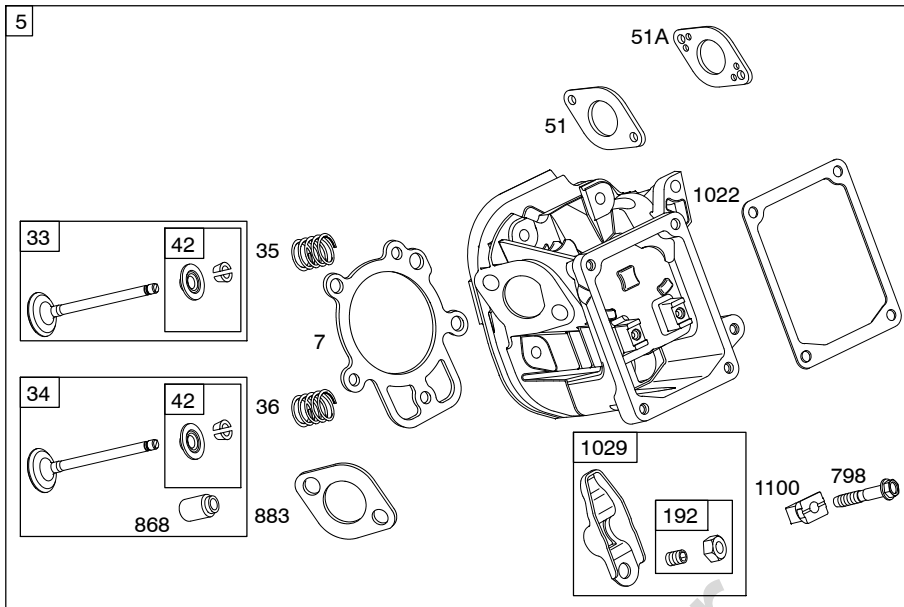
1319 WARNING LABEL

WARNING	
	Read and follow Operating Instructions before running engine.
	Gasoline is flammable. Allow engine to cool at least 2 minutes before refueling.
	Engines emit carbon monoxide, DO NOT run in enclosed area.
	Muffler area temperature may exceed 150°F. Do not touch hot parts.

REQUIRED when replacing parts with warning labels affixed.

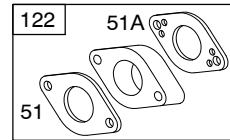
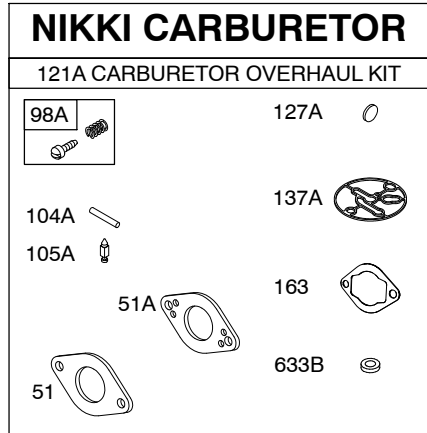
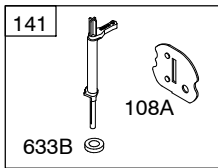
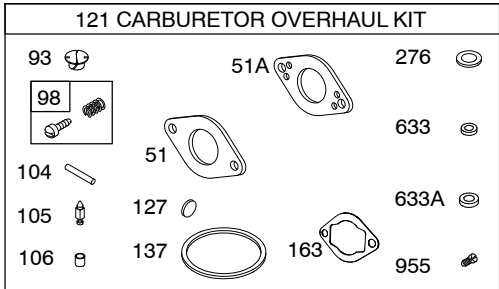
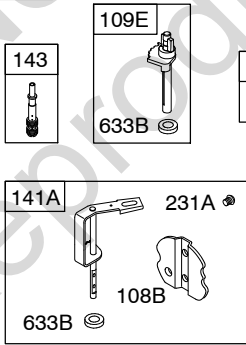
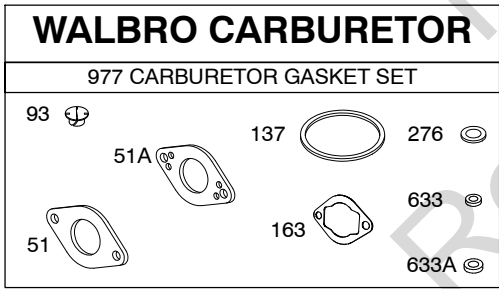
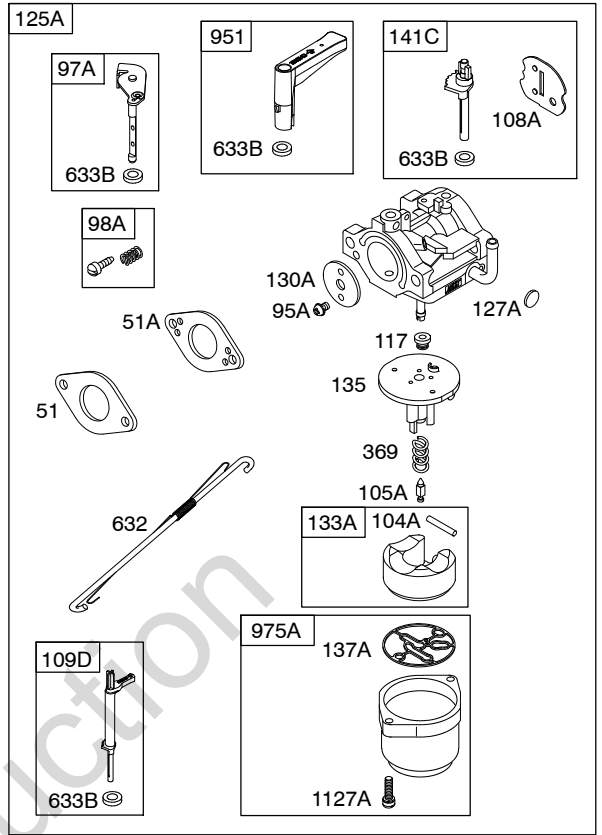
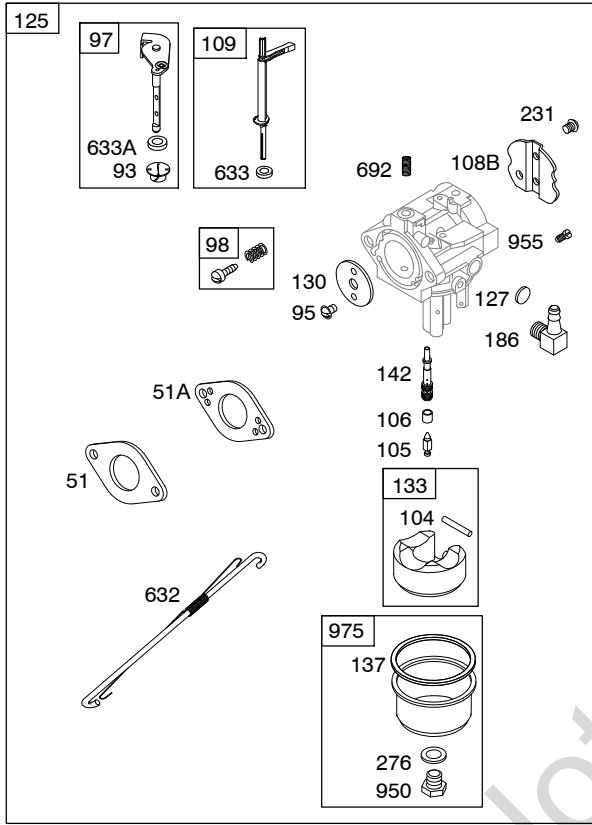


Illustrations cover a range of engines. Parts shown without corresponding text may not be used on your specific engine.
 6444-2 Assemblies include all parts shown in frames. 10/07/2008

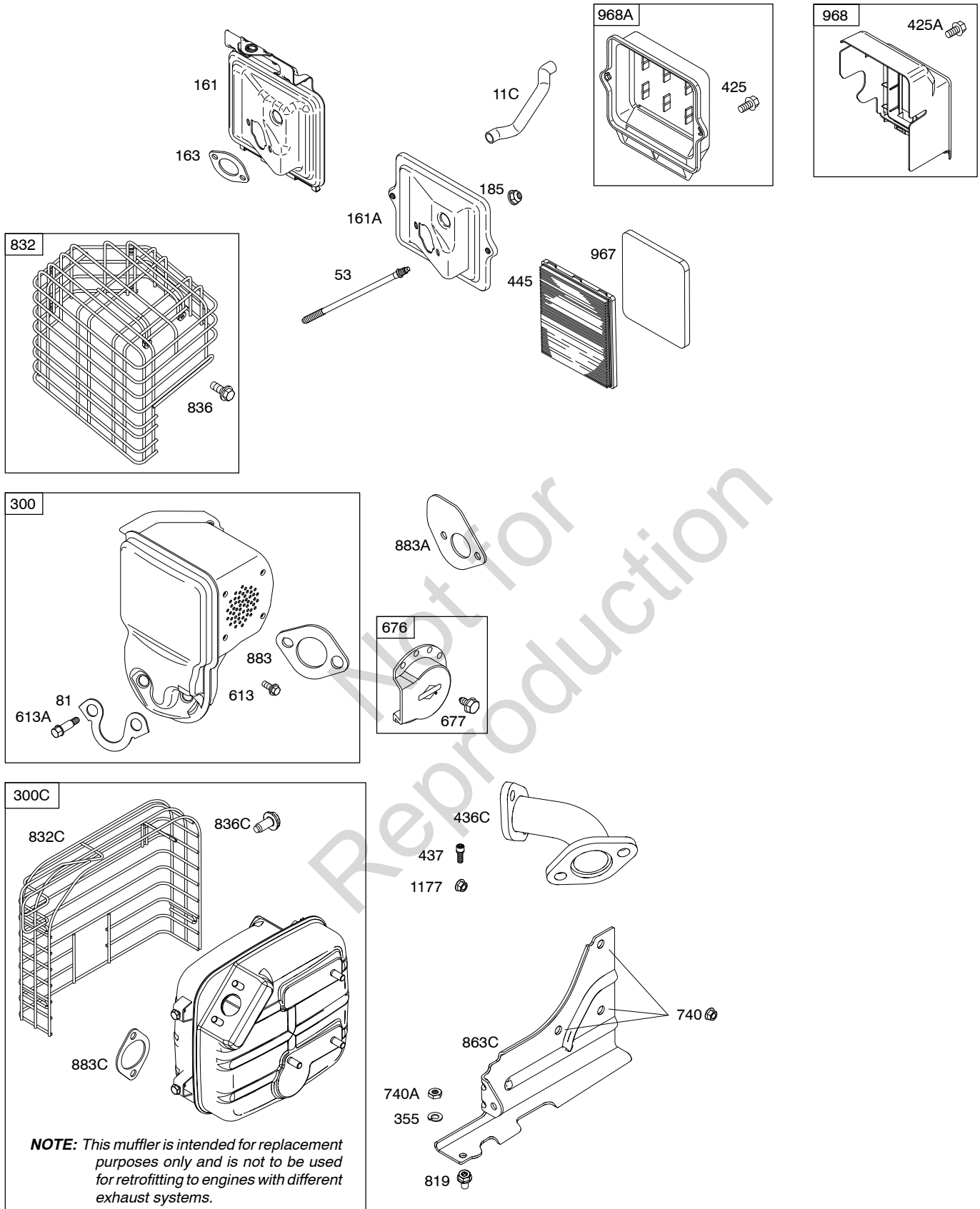


Illustrations cover a range of engines. Parts shown without corresponding text may not be used on your specific engine.
 6444-3 Assemblies include all parts shown in frames. 10/07/2008

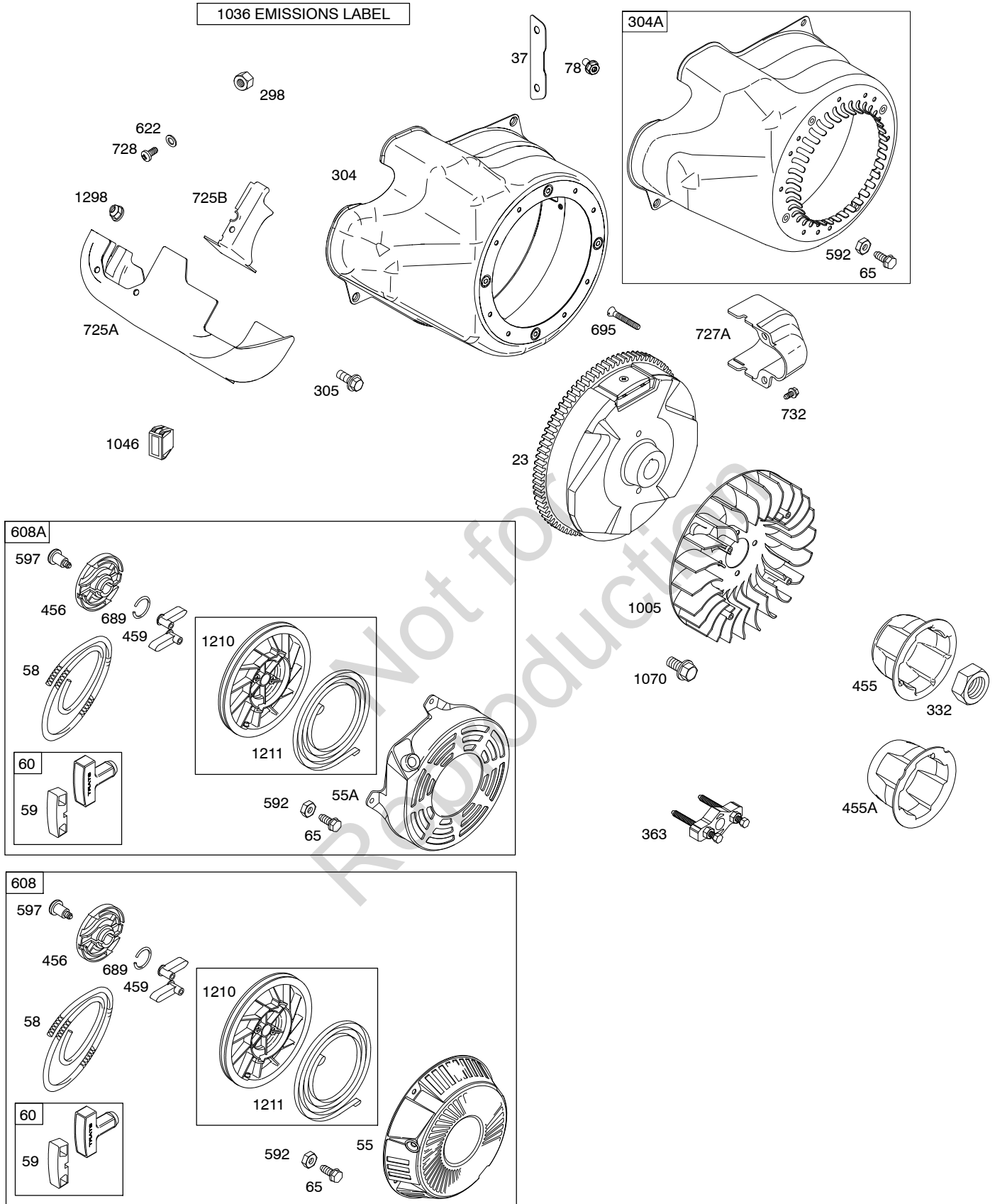
GHOSTED PARTS ARE NOT SERVICEABLE
AND ARE SHOWN FOR REFERENCE ONLY.



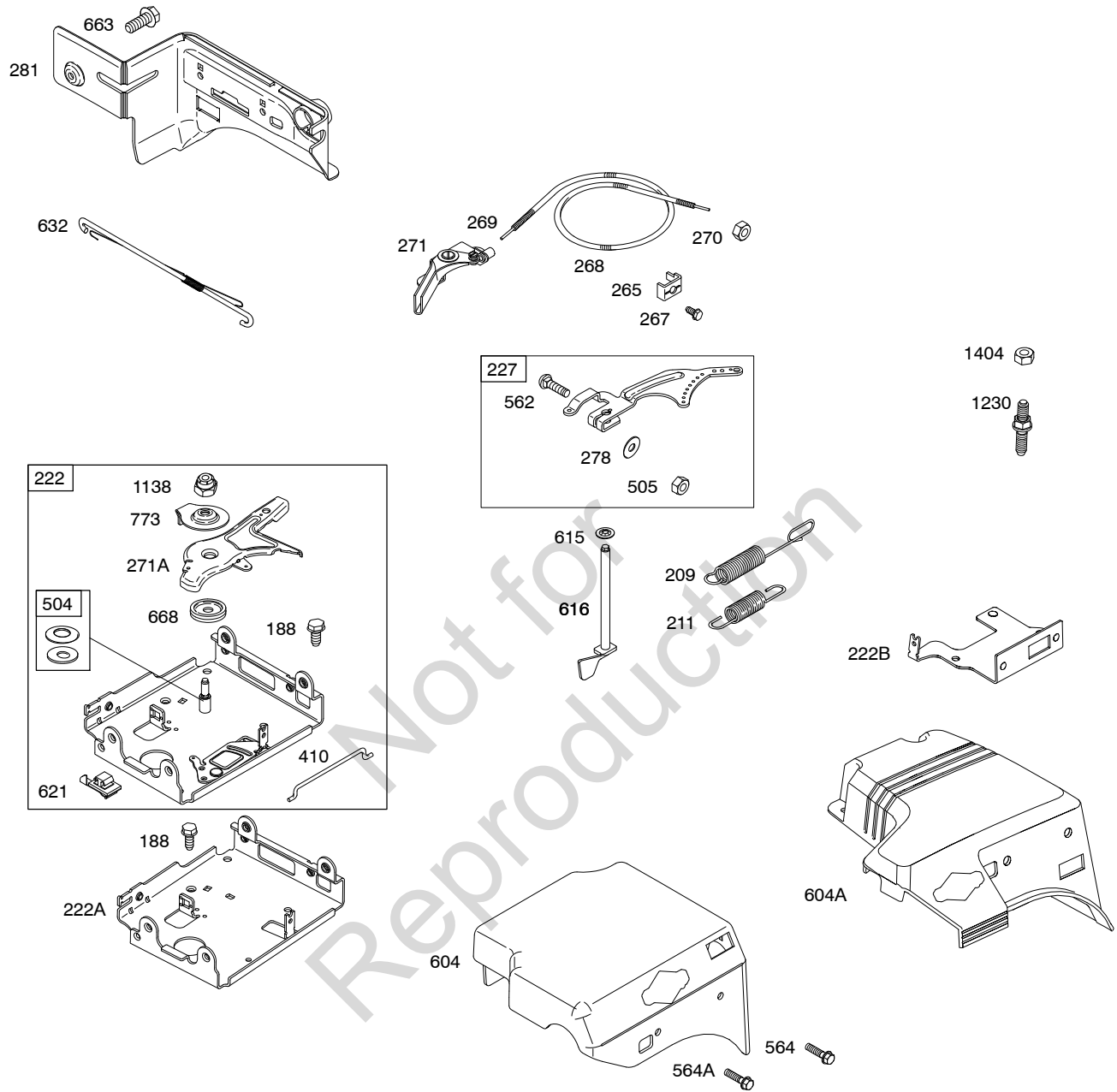
Illustrations cover a range of engines. Parts shown without corresponding text may not be used on your specific engine. Assemblies include all parts shown in frames.



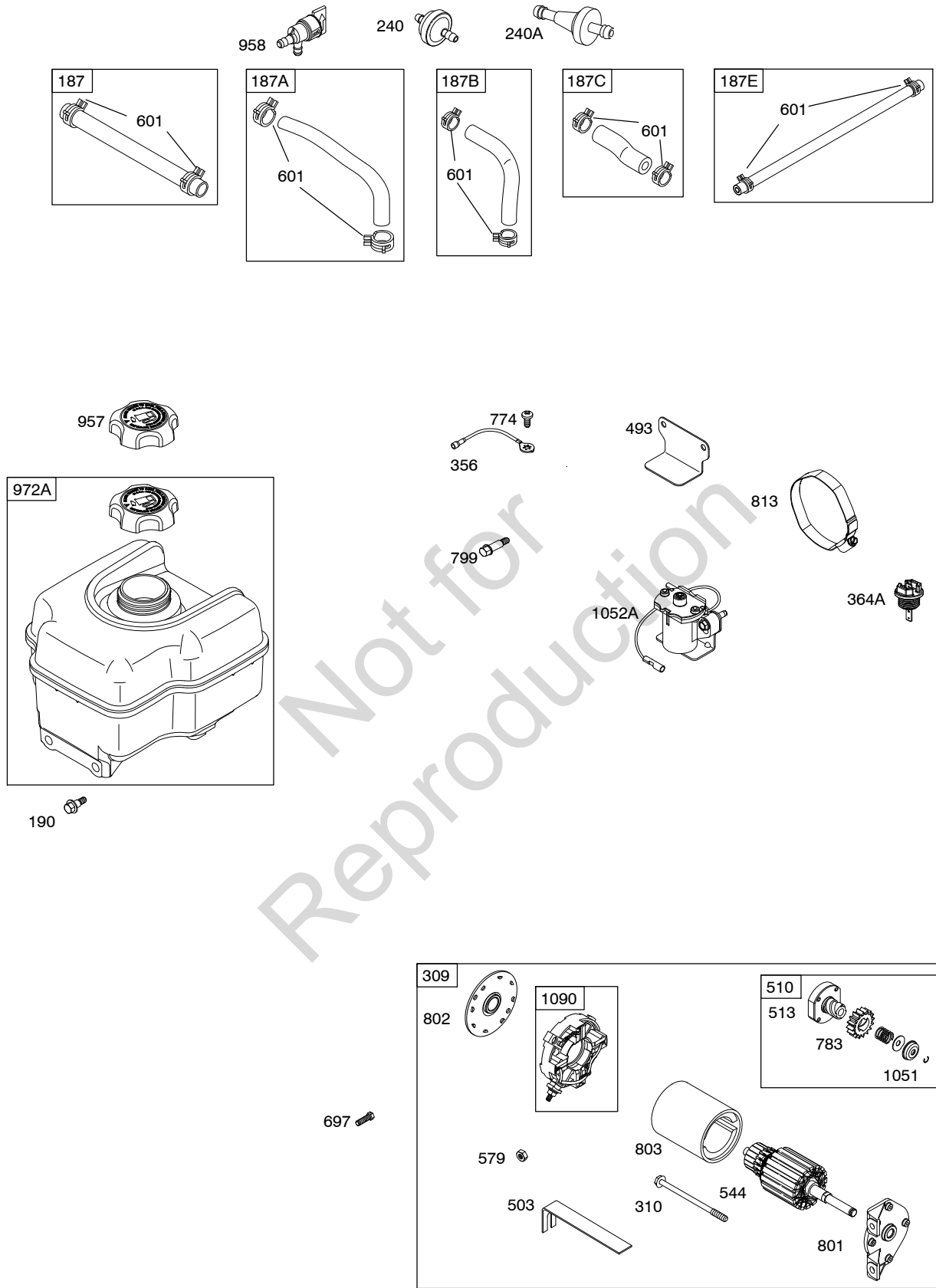
Illustrations cover a range of engines. Parts shown without corresponding text may not be used on your specific engine.
 6444-5 Assemblies include all parts shown in frames. 10/07/2008





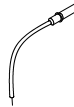
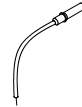
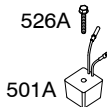
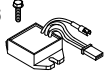
Illustrations cover a range of engines. Parts shown without corresponding text may not be used on your specific engine.
 6444-6 Assemblies include all parts shown in frames. 10/07/2008




Illustrations cover a range of engines. Parts shown without corresponding text may not be used on your specific engine.
 6444-7 Assemblies include all parts shown in frames. 10/07/2008

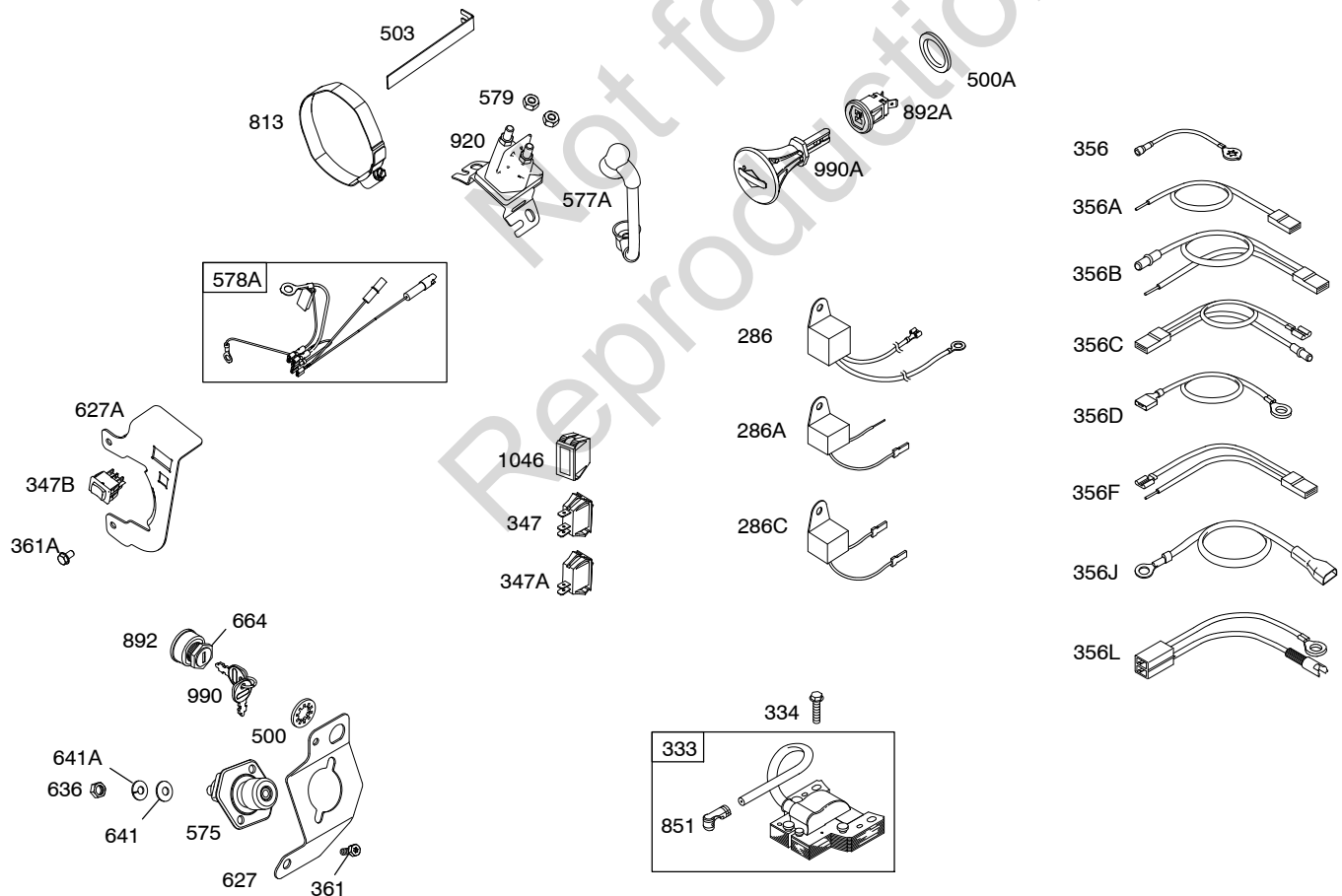


Not for
Reproduction

DC ONLY	10 - 16 AMP
474A 	474D 
578 	578 
526A 501A 	526 501 

NOTE: All stators use a No. 1119 mounting screw. 

NOTE: The proper flywheel part number and/or the alternator magnet size will determine the alternator type or output. See repair instruction manual for additional information.



204400

REF. NO.	PART NO.	DESCRIPTION	REF. NO.	PART NO.	DESCRIPTION	REF. NO.	PART NO.	DESCRIPTION
1	794849	Cylinder Assembly ----- Note ----- 793617 Cylinder Assembly Used on Type No(s). 0179.	16	794717	Crankshaft Used on Type No(s). 0036, 0100, 0105, 0110, 0155, 0160, 0536. ----- Note ----- 794716 Crankshaft Used on Type No(s). 0114, 0115, 0117, 0125, 0157, 0159.	23	794814	Flywheel ----- Note ----- 695485 Flywheel Used on Type No(s). 0110, 0115, 0129, 0141, 0143, 0154, 0157, 0164, 0168, 0177, 0179, 0214, 0278.
2	698340	Kit-Bushing/Seal (Magneto Side)				24	222698S	Key-Flywheel
3	★391086S	Seal-Oil (Magneto Side)				25	792117	Piston Assembly (Standard) ----- Note ----- 792144 Piston Assembly (.020" Oversize) 793794 Piston Assembly Used on Type No(s). 0179.
5	793009	Head-Cylinder						793797 Piston Assembly (.020" Oversize) Used on Type No(s). 0179.
7	★Δ694872	Gasket-Cylinder Head ----- Note ----- ★Δ 697690 Gasket- Cylinder Head Used on Type No(s). 0179.						792026 Ring Set (Standard) (Used After Code Date 05080900). ----- Note ----- 694004 Ring Set (Used Before Code Date 05081000). 792073 Ring Set (.020" Oversize) (Used After Code Date 05080900). 694008 Ring Set (.020" Oversize) (Used Before Code Date 05081000). 793319 Ring Set Used on Type No(s). 0179.
11C	696796	Tube-Breather						793324 Ring Set (.020" Oversize) Used on Type No(s). 0179.
12	★694953	Gasket-Crankcase	17	695434	Bearing-Ball			
13	690360	Screw (Cylinder Head)	18	791965	Cover-Crankcase ----- Note ----- 791412 Cover- Crankcase (Ball Bearing Cover) Used on Type No(s). 0036, 0110, 0175, 0213, 0214, 0536.			
15	691686	Plug-Oil Drain (Square Head)	19	698340	Kit-Bushing/Seal (PTO Side)			
15B	695757	Plug-Oil Drain Used on Type No(s). 0276, 0417, 0529.	20	★391086S	Seal-Oil (PTO Side)			
			21	281658S	Cap-Oil Fill			
			22	695174	Screw (CrankcaseCover- Sump)			

★ Included in Engine Gasket Set-Ref. No. 358.

● Included in Carburetor Overhaul Kit-Ref. No. 121 or 121A.

◆ Included in Carburetor Gasket Set-Ref. No. 977.

Δ Included in Valve Gasket Set-Ref. No. 1095.

Illustrations cover a range of engines. Parts shown without corresponding text may not be used on your specific engine.

6444-10

Assemblies include all parts shown in frames.

10/07/2008

REF. NO.	PART NO.	DESCRIPTION	REF. NO.	PART NO.	DESCRIPTION	REF. NO.	PART NO.	DESCRIPTION
27	690975	Lock-Piston Pin	95	691636	Screw	133	494381	Float-Carburetor
28	696581	Pin-Piston			(Throttle Valve)	133A	694914	Float-Carburetor
29	694691	Rod-Connecting	95A	690718	Screw	135	696142	Tube-Fuel Transfer
30	694692	Dipper-Connecting Rod			(Throttle Valve)	137♦♦	281165S	Gasket-Float Bowl
32	690976	Screw (Connecting Rod)	97	695325	Shaft-Throttle	137A	695426	Gasket-Float Bowl
33	499596	Valve-Exhaust	97A	696387	Shaft-Throttle	141	696145	Kit-Choke Shaft
34	792200	Valve-Intake	98	495800	Kit-Idle Speed	141A	698457	Kit-Choke Shaft
35	694865	Spring-Valve (Intake)	98A	695408	Kit-Idle Speed	141C	699979	Kit-Choke Shaft
36	694865	Spring-Valve (Exhaust)	104	690525	Pin-Float Hinge	142	695528	Nozzle-Carburetor (Standard)
37	790730	Guard-Flywheel	104A	694918	Pin-Float Hinge	143	695529	Nozzle-Carburetor (High Altitude)
42	499586	Keeper-Valve	105	691782	Valve-Float Needle	146	690979	Key-Timing
45	690977	Tappet-Valve	105A	696136	Valve-Float Needle	161	695384	Base-Air Cleaner (Metal)
46	790958	Camshaft	106	690577	Seat-Inlet	161A	699960	Base-Air Cleaner (Metal)
51★♦♦	694874	Gasket-Intake	108A	696143	Valve-Choke			Used on Type No(s). 0163, 0164, 0168, 0171, 0177, 0178, 0179, 0278.
51A★♦♦	694875	Gasket-Intake	108B	696209	Valve-Choke (Used Before Code Date 04020500). Used on Type No(s). 0109, 0118, 0129, 0130, 0134, 0136, 0141, 0142, 0143, 0145, 0147, 0149, 0153, 0154, 0156.			----- Note ----- 699960 Base-Air Cleaner (Metal) (Used After Code Date 04020400). Used on Type No(s). 0109, 0118, 0129, 0130, 0134, 0136, 0141, 0142, 0143, 0145, 0147, 0149, 0153, 0154, 0156. 694870 Base-Air Cleaner (Metal) (Used Before Code Date 04020500). Used on Type No(s). 0109, 0118, 0129, 0130, 0134, 0136, 0141, 0142, 0143, 0145, 0147, 0149, 0153, 0154, 0156.
53	694869	Stud (Carburetor)	109	695331	Shaft-Choke	163★♦♦	692277	Gasket-Air Cleaner
55	695288	Housing-Rewind Starter	109D	790149	Shaft-Choke	170	695296	Stud (Crankcase Cover/Sump)
55A	691421	Housing-Rewind Starter	109E	696735	Shaft-Choke			
58	693389	Rope-Starter (Cut To Required Length)	109G	790077	Shaft-Choke			
59	805957	Insert-Grip	117	696134	Jet-Main (Standard)			
60	490652	Grip-Starter Rope	118	696135	Jet-Main (High Altitude)			
65	690837	Screw (Rewind Starter)	121	695441	Kit-Carburetor Overhaul (Walbro)			
		----- Note ----- 690759 Screw (Rewind Starter) Used on Type No(s). 0110, 0115, 0129, 0141, 0143, 0154, 0157, 0164, 0168, 0177, 0179, 0214, 0278.	121A	696146	Kit-Carburetor Overhaul (Nikki)			
78	690372	Screw (Cover Flywheel Guard)	122	694876	Spacer-Carburetor Carburetor (For Service of Complete Carburetor, See Ref 125A)			
81	695400	Lock-Muffler Screw	125A	699966	Carburetor			
93	♦♦690602	Bushing-Throttle Shaft (Walbro)	127	694524	Plug-Welch			
			127A	690727	Plug-Welch			
			130	690468	Valve-Throttle			
			130A	696139	Valve-Throttle			

★ Included in Engine Gasket Set-Ref. No. 358.

● Included in Carburetor Overhaul Kit-Ref. No. 121 or 121A.

♦ Included in Carburetor Gasket Set-Ref. No. 977.

△ Included in Valve Gasket Set-Ref. No. 1095.

Illustrations cover a range of engines. Parts shown without corresponding text may not be used on your specific engine.

6444-11

Assemblies include all parts shown in frames.

10/07/2008

204400

REF. NO.	PART NO.	DESCRIPTION	REF. NO.	PART NO.	DESCRIPTION	REF. NO.	PART NO.	DESCRIPTION
185	690958	Nut (Air Cleaner Base)	222	695380	Bracket-Control	281	697268	Panel-Control (Used After Code Date 01102800).
186	692317	Connector-Hose	222A	694866	Bracket-Control Used on Type No(s). 0109, 0118, 0119, 0125, 0129, 0130, 0134, 0136, 0141, 0142, 0143, 0145, 0146, 0147, 0149, 0150, 0151, 0153, 0154, 0156, 0162, 0163, 0164.	----- Note ----- 695294 Panel-Control (Used Before Code Date 01102900).		
187	791766	Line-Fuel (15 Inches Long)(Cut To Required Length)	222B	791753	Bracket-Control	286	695186	Module-Oil Sensor (Used Before Code Date 03010600). Used on Type No(s). 0109, 0118, 0119, 0130, 0134, 0136, 0142, 0145, 0146, 0147, 0149, 0150, 0151.
187A	791869	Line-Fuel (Used After Code Date 05063000). ----- Note ----- 695429 Line-Fuel (Used Before Code Date 05070100).	227	694864	Lever-Governor Control	286A	696058	Module-Oil Sensor (Used Before Code Date 03010600). Used on Type No(s). 0143.
187B	791834	Line-Fuel (Used After Code Date 05063000). ----- Note ----- 695482 Line-Fuel (Used Before Code Date 05070100).	231	691636	Screw (Choke Valve)	286C	699951	Module-Oil Sensor (Used After Code Date 03010500). Used on Type No(s). 0109, 0118, 0119, 0129, 0130, 0134, 0136, 0141, 0142, 0143, 0145, 0146, 0147, 0149, 0150, 0151, 0153, 0154, 0156, 0162, 0164, 0178, 0278.
187C	791871	Line-Fuel (Used After Code Date 05063000). ----- Note ----- 695483 Line-Fuel (Used Before Code Date 05070100).	231A	690718	Screw (Choke Valve)	287	691693	Screw (Dipstick Tube)
187E	791745	Line-Fuel (23 Inches Long)(Cut To Required Length)	240	298090S	Filter-Fuel Used on Type No(s). 0109, 0119, 0125, 0130, 0134, 0136, 0141, 0142, 0147.	298	698838	Locknut-Muffler/Elbow
188	690877	Screw (Control Bracket)	265	691024	Clamp-Casing	300	697252	Muffler
190	692127	Screw (Fuel Tank)	267	692577	Screw (Casing Clamp)	300C	793701	Muffler (This muffler is intended for replacement purposes only and is not to be used for retrofitting to engines with different exhaust systems)
192	690083	Adjuster-Rocker Arm	268	691025	Casing-Control Wire (Cut To Required Length)			
209	694867	Spring-Governor ----- Note ----- 696638 Spring-Governor Used on Type No(s). 0114, 0115, 0125, 0157.	269	691026	Wire-Control (Cut To Required Length)			
211	695307	Spring-Governed Idle	270	691027	Nut (Control Wire Casing)			
219	693578	Gear-Governor	271	691028	Lever-Control			
220	691724	Washer (Governor Gear)	271A	695381	Lever-Control			
			276	692255	Washer-Sealing			
			278	792008	Washer (Governor Control Lever)			

★ Included in Engine Gasket Set-Ref. No. 358.

● Included in Carburetor Overhaul Kit-Ref. No. 121 or 121A.

◆ Included in Carburetor Gasket Set-Ref. No. 977.

△ Included in Valve Gasket Set-Ref. No. 1095.

Illustrations cover a range of engines. Parts shown without corresponding text may not be used on your specific engine.

6444-12

Assemblies include all parts shown in frames.

10/07/2008

REF. NO.	PART NO.	DESCRIPTION	REF. NO.	PART NO.	DESCRIPTION	REF. NO.	PART NO.	DESCRIPTION
304	791478	Housing-Blower ----- Note ----- 791478 Housing-Blower (Used Before Code Date 03012200). Used on Type No(s). 0156. 791478 Housing-Blower (Used Before Code Date 01081400). Used on Type No(s). 0109.	309	695479	Motor-Starter ----- Note ----- 794498 Motor-Starter Used on Type No(s). 0164, 0168, 0179, 0177E1.	356C	695295	Wire-Stop
304A	791481	Housing-Blower (Used After Code Date 03012100). Used on Type No(s). 0156. ----- Note ----- 791481 Housing-Blower (Used After Code Date 01081300). Used on Type No(s). 0109.	310	690323	Screw (Starter Motor)	356D	695366	Wire-Stop Used on Type No(s). 0143. ----- Note ----- 695366 Wire-Stop (Used After Code Date 03010500 and Before Code Date 03072400). Used on Type No(s). 0109, 0118, 0119, 0129, 0130, 0134, 0136, 0141, 0142, 0145, 0146, 0147, 0149, 0150, 0151, 0153, 0154, 0156.
305	691108	Screw (Blower Housing) ----- Note ----- 691125 Screw (Blower Housing) Used on Type No(s). 0142, 0147, 0154, 0156, 0163, 0164, 0168, 0171.	332	694685	Nut (Flywheel)	356F	697336	Wire-Stop Used on Type No(s). 0115, 0143, 0157.
306	697240	Shield-Cylinder (Used After Code Date 01102800). ----- Note ----- 696698 Shield-Cylinder (Used Before Code Date 01102900).	333	492341	Armature-Magneto	356J	699994	Wire-Stop Used on Type No(s). 0143, 0162, 0164, 0178, 0278. ----- Note ----- 699994 Wire-Stop (Used After Code Date 03072300). Used on Type No(s). 0109, 0118, 0119, 0129, 0130, 0134, 0136, 0141, 0142, 0145, 0146, 0147, 0149, 0150, 0151, 0153, 0154, 0156.
307	691108	Screw (Cylinder Shield) (M4) ----- Note ----- 691660 Screw (Cylinder Shield) (1/4-20)	334	691061	Screw (Magneto Armature)	356L	792609	Wire-Stop
			337	491055S	Plug-Spark ----- Note ----- 691043 Plug-Spark Used on Type No(s). 0105, 0118, 0536.	358	695438	Gasket Set-Engine
			347	698338	Switch-Rocker Used on Type No(s). 0125, 0155, 0163, 0168, 0171, 0177, 0179.	361	691681	Screw (Starting Switch) Used on Type No(s). 0109.
			347A	697854	Switch-Rocker Used on Type No(s). 0109, 0118, 0119, 0129, 0130, 0134, 0136, 0141, 0142, 0145, 0146, 0147, 0149, 0150, 0151, 0153, 0154, 0156, 0162, 0164, 0178, 0278.	361A	690297	Screw (Starting Switch)
			347B	790949	Switch-Rocker			
			355	691075	Washer (Muffler Bracket)			
			356	692603	Wire-Stop			
			356A	692390	Wire-Stop			
			356B	695815	Wire-Stop Used on Type No(s). 0036, 0114, 0117, 0160, 0213, 0214.			

★ Included in Engine Gasket Set-Ref. No. 358.

● Included in Carburetor Overhaul Kit-Ref. No. 121 or 121A.

◆ Included in Carburetor Gasket Set-Ref. No. 977.

△ Included in Valve Gasket Set-Ref. No. 1095.

Illustrations cover a range of engines. Parts shown without corresponding text may not be used on your specific engine.

6444-13

Assemblies include all parts shown in frames.

10/07/2008

204400

REF. NO.	PART NO.	DESCRIPTION	REF. NO.	PART NO.	DESCRIPTION	REF. NO.	PART NO.	DESCRIPTION
363	19203	Puller-Flywheel	456	692299	Plate-Pawl Friction	523	695344	Dipstick
364A	699947	Terminal-Oil Plug Used on Type No(s). 0109, 0118, 0119, 0129, 0130, 0134, 0136, 0141, 0142, 0143, 0145, 0146, 0147, 0149, 0150, 0151, 0153, 0154, 0156, 0162, 0164, 0178, 0278.	459	281505S	Pawl-Ratchet	524	691876	Seal-Dipstick Tube
369	695422	Spring-Float Bowl	474A	695730	Alternator (3 Amps DC) Used on Type No(s). 0115, 0141, 0143, 0154, 0157, 0214, 0278.	525	695343	Tube-Dipstick
383	19374S	Wrench-Spark Plug	474D	695466	Alternator (10 Amp Regulator) Used on Type No(s). 0110.	526	690297	Screw (Regulator) Used on Type No(s). 0110.
410	695382	Link-Control	493	694861	Bracket-Mounting ----- Note ----- 691177 Bracket- Mounting Used on Type No(s). 0110, 0157.	526A	690326	Screw (Regulator) Used on Type No(s). 0157.
415	691363	Plug	500	691086	Washer (Key Switch)	529	791822	Grommet
425	694515	Screw (Air Cleaner Cover)	500A	792613	Washer (Key Switch)	544	692034	Armature-Starter
425A	790043	Screw (Air Cleaner Cover)	501	691185	Regulator Used on Type No(s). 0110.	552	694674	Bushing-Governor Crank
436C	792374	Manifold-Exhaust	501A	691188	Regulator Used on Type No(s). 0157.	562	793216	Bolt (Governor Control Lever)
437	696705	Screw (Exhaust Manifold)	503	691532	Strap-Starter	564	692577	Screw (Control Cover)
445	491588S	Filter-Air Cleaner Cartridge	504	695383	Washer Set-Friction	564A	692198	Screw (Control Cover)
455	694683	Cup-Flywheel ----- Note ----- 694683 Cup-Flywheel (Used Before Code Date 03012100). Used on Type No(s). 0156.	505	691251	Nut (Governor Control Lever)	575	692303	Switch-Starting
455A	697357	Cup-Flywheel Used on Type No(s). 0109, 0178. ----- Note ----- 697357 Cup-Flywheel (Used After Code Date 03012100). Used on Type No(s). 0156.	510	693699	Drive-Starter	577A	690795	Cable-Starter
			513	692024	Clutch-Drive	578	692306	Wire Assembly
			522	697689	Plug-Dipstick/Fill Used on Type No(s). 0130, 0134, 0149, 0150, 0151, 0164, 0168.	578A	790948	Wire Assembly
						579	691029	Nut (Starter Cable)
						592	690800	Nut (Rewind Starter)
						597	691696	Screw (Pawl Friction Plate)
						601	791850	Clamp-Hose

★ Included in Engine Gasket Set-Ref. No. 358.

● Included in Carburetor Overhaul Kit-Ref. No. 121 or 121A.

◆ Included in Carburetor Gasket Set-Ref. No. 977.

△ Included in Valve Gasket Set-Ref. No. 1095.

Illustrations cover a range of engines. Parts shown without corresponding text may not be used on your specific engine.

6444-14

Assemblies include all parts shown in frames.

10/07/2008

REF. NO.	PART NO.	DESCRIPTION	REF. NO.	PART NO.	DESCRIPTION	REF. NO.	PART NO.	DESCRIPTION
604	697326	Cover-Control Used on Type No(s). 0145. ----- Note ----- 697326 Cover-Control (Used Before Code Date 05071800). Used on Type No(s). 0109, 0147, 0149, 0150, 0151, 0163, 0164. 697326 Cover-Control (Used After Code Date 01061000 and Before Code Date 05071800). Used on Type No(s). 0118, 0119, 0125, 0129, 0130, 0134, 0142, 0143. 696078 Cover-Control (Used Before Code Date 01061100). Used on Type No(s). 0118, 0119, 0125, 0129, 0130, 0134, 0142, 0143.	608	695287	Starter-Rewind ----- Note ----- 697356 Starter- Rewind Used on Type No(s). 0109, 0178. 697356 Starter- Rewind (Used After Code Date 03012100). Used on Type No(s). 0156. 695287 Starter- Rewind (Used Before Code Date 03012200). Used on Type No(s). 0156.	668	694257	Spacer (Control Bracket)
			608A	497680	Starter-Rewind	676	393761	Deflector-Muffler
			613	695312	Screw (Muffler)	677	690367	Screw (Muffler Deflector)
			613A	695399	Screw (Muffler)	689	691855	Spring-Friction
			615	694676	Retainer-Governor Shaft	692	691301	Spring-Detent
			616	694675	Crank-Governor	695	698807	Screw (Ring Gear)
			621	692310	Switch-Stop	697	690372	Screw (Drive Cap)
			622	698839	Washer (Heat Shield)	718	690959	Pin-Locating (Head)
			627	696064	Bracket-Stopswitch	718A	695178	Pin-Locating (Head)
			627A	792608	Bracket-Stopswitch	725A	698836	Shield-Heat Used on Type No(s). 0142, 0147, 0154, 0156, 0163, 0164, 0168, 0171.
			632	694868	Link-Throttle (Walbro)	725B	698837	Shield-Heat Used on Type No(s). 0142, 0147, 0154, 0156, 0163, 0164, 0168.
					----- Note ----- 695917 Link-Throttle (Nikki)	727A	697465	Cover-Starter Drive
			633	♦♦690597	Seal-Choke/Throttle Shaft	728	696763	Screw (Heat Shield)
			633A	♦♦691326	Seal-Choke/Throttle Shaft	732	691097	Screw (Starter Drive Cover)
			633B	♦690998	Seal-Choke/Throttle Shaft	740	710090	Nut (Muffler Bracket)
			635	691909	Boot-Spark Plug	740A	793859	Nut (Muffler Bracket)
			636	696198	Nut (Starting Switch)	741	691288	Gear-Timing
			641	691075	Washer (Starting Switch)	742	692564	Retainer-E Ring
			641A	690282	Washer (Starting Switch)	746	694679	Gear-Idler
			663	692577	Screw (Control Panel)	773	694258	Retainer
			664	691087	Nut (Key Switch)	774	695447	Screw (Stop Wire)
						783	693713	Gear-Pinion
						798	697890	Screw (Rocker Arm)
						799	695446	Screw
						801	694482	Cap-Drive
						802	691286	Cap-End
						803		Housing-Starter (Not Serviced Separately, Order Starter Motor 695479)
						813	690635	Clamp
						819	690352	Screw (Muffler Bracket)
604A	791752	Cover-Control Used on Type No(s). 0168, 0171, 0177, 0178, 0278. ----- Note ----- 791752 Cover-Control (Used After Code Date 05071700). Used on Type No(s). 0109, 0119, 0125, 0129, 0134, 0142, 0143, 0147, 0150, 0151, 0154, 0156, 0163, 0164						

★ Included in Engine Gasket Set-Ref. No. 358.

● Included in Carburetor Overhaul Kit-Ref. No. 121 or 121A.

◆ Included in Carburetor Gasket Set-Ref. No. 977.

△ Included in Valve Gasket Set-Ref. No. 1095.

Illustrations cover a range of engines. Parts shown without corresponding text may not be used on your specific engine.

6444-15

Assemblies include all parts shown in frames.

10/07/2008

204400

REF. NO.	PART NO.	DESCRIPTION	REF. NO.	PART NO.	DESCRIPTION	REF. NO.	PART NO.	DESCRIPTION
832	795035	Guard-Muffler	967	491435S	Filter-Pre Cleaner	1090	691293	Retainer-Brush
832C	792380	Guard-Muffler	968	790959	Cover-Air Cleaner	1095	695440	Gasket Set-Valve
836	695312	Screw (Muffler Guard) (Used After Code Date 01061000).	968A	692321	Cover-Air Cleaner	1100	791959	Pivot-Rocker Arm
		----- Note -----	972A	694260	Tank-Fuel (Plastic)	1119	691058	Screw (Alternator)
		690367 Screw (Muffler Guard) (Used Before Code Date 01061100).	975	495933	Bowl-Float			----- Note -----
836C	710023	Screw (Muffler Guard)	975A	696138	Bowl-Float			691183 Screw (Alternator) Used on Type No(s). 0110, 0115, 0129, 0141, 0143, 0154, 0157, 0214, 0278.
842	691031	Seal-O Ring (Dipstick Tube)	977	695439	Gasket Set-Carburetor (Walbro)			
847	695342	Dipstick/Tube Assembly	990	691959	Key Set			
851	692424	Terminal-Spark Plug	990A	695756	Key Set			
863C	793700	Bracket-Muffler	998	696683	Pipe-Oil			
868	★Δ690968	Seal-Valve	1005	694684	Fan-Flywheel	1127A	695407	Screw (Float Bowl)
883	★Δ695398	Gasket-Exhaust	1022	★Δ690971	Gasket-Rocker Cover			
883A	★697255	Gasket-Exhaust	1023	697691	Cover-Rocker Arm	1138	694255	Nut (Control Bracket)
883C	710250	Gasket-Exhaust	1026	695177	Rod-Push			
892	392833	Switch-Key	1029	690972	Arm-Rocker	1171	696754	Stud (Rocker Cover) Used on Type No(s). 0134, 0142, 0147, 0150, 0151, 0154, 0156, 0163, 0164, 0168, 0171, 0177, 0178, 0179, 0278.
892A	791944	Switch-Key	1036		Label-Emissions (Available From A Briggs & Stratton Authorized Dealer)			
914	693732	Screw (Rocker Cover)	1046	691337	Plug-Blower Housing Used on Type No(s). 0143.			
920	691656	Solenoid-Starter	1051	691265	Ring-Retaining	1177	710090	Nut (Muffler)
950	695407	Screw-Float Bowl ----- Note -----	1052A	791159	Sensor-Oil			
		691657 Screw-Float Bowl Used on Type No(s). 0036, 0100, 0110, 0114.	1058	277040	Manual-Operator's ----- Note -----	1194	691876	Seal-O Ring (Plug)
951	699961	Shaft-Choke			MS3780 Manual- Operator's Used on Type No(s). 0105, 0136, 0141, 0153, 0156E1, 0162, 0536.	1210	498144	Pulley/Spring Assembly (Pulley)
955	695659	Plug-Carburetor			MS3797 Manual- Operator's Used on Type No(s). 0154, 0156E2, 0178, 0213, 0214, 0276, 0278, 0417, 0529.	1211	498144	Pulley/Spring Assembly (Spring)
957	792647	Cap-Fuel Tank (Plastic)	1070	691183	Screw (Flywheel Fan)	1230	791754	Stud (Control Bracket)
958	698180	Valve-Fuel Shut Off (Plastic)				1298	696757	Nut (Heat Shield)
						1319	794467	Label-Warning
						1404	696757	Nut (Control Cover)

★ Included in Engine Gasket Set-Ref. No. 358.

● Included in Carburetor Overhaul Kit-Ref. No. 121 or 121A.

◆ Included in Carburetor Gasket Set-Ref. No. 977.

▲ Included in Valve Gasket Set-Ref. No. 1095.

Illustrations cover a range of engines. Parts shown without corresponding text may not be used on your specific engine.

6444-16

Assemblies include all parts shown in frames.

10/07/2008

Not for
Reproduction

Not for
Reproduction

Not for
Reproduction

Not for
Reproduction



Free Manuals Download Website

<http://myh66.com>

<http://usermanuals.us>

<http://www.somanuals.com>

<http://www.4manuals.cc>

<http://www.manual-lib.com>

<http://www.404manual.com>

<http://www.luxmanual.com>

<http://aubethermostatmanual.com>

Golf course search by state

<http://golfingnear.com>

Email search by domain

<http://emailbydomain.com>

Auto manuals search

<http://auto.somanuals.com>

TV manuals search

<http://tv.somanuals.com>