



Illustrated Parts List

Model Series

210400

TYPE NUMBERS
0035 through 0570.

TABLE OF CONTENTS

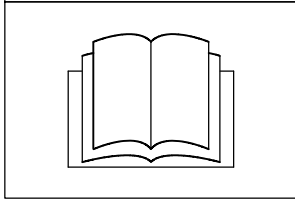
Air Cleaner	5
Alternator	10
Blower Housing/Shrouds	7
Camshaft	2
Carburetor	4
Controls	8
Crankcase Cover	2
Crankshaft	2
Cylinder	2
Cylinder Head	3
Electric Starter	9
Exhaust System	6
Flywheel	7
Fuel Supply	9
Gasket Set - Engine	3
Gasket Set - Valve	3
Governor Spring	8
Ignition	10
Kit-Carburetor Overhaul	4
Lubrication	2
Operator's Manual	2
Piston/Rings/Connecting Rod	2
Rewind Starter	7
Valves	3
Warning Label	2



PRINTED IN U.S.A.

COPYRIGHT by BRIGGS & STRATTON CORPORATION
All rights reserved. No part of this material may be reproduced or transmitted, in any form or by any means, electronic or mechanical, including photocopying, recording or by any information storage and retrieval system, without permission in writing from Briggs & Stratton Corporation.

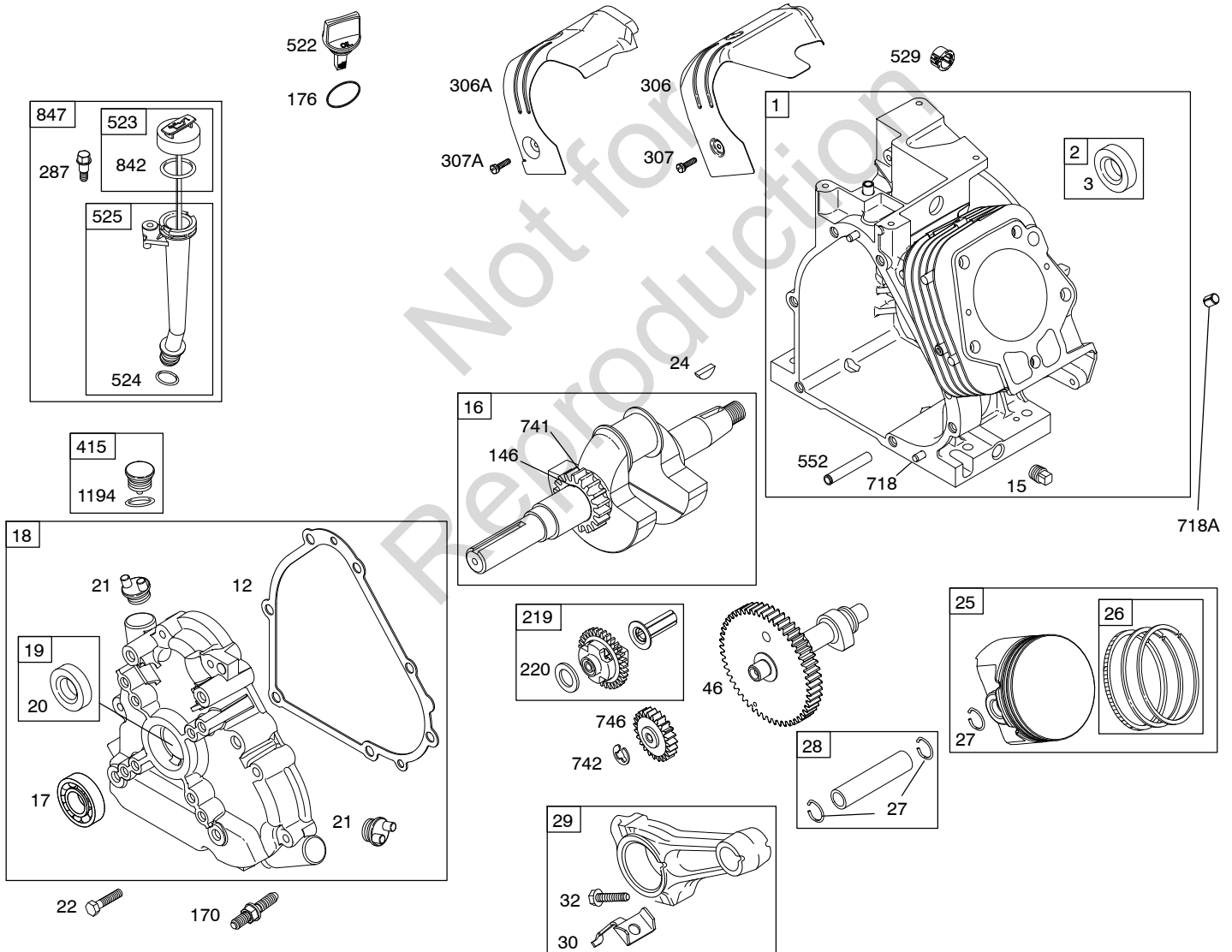
1058 OPERATOR'S MANUAL



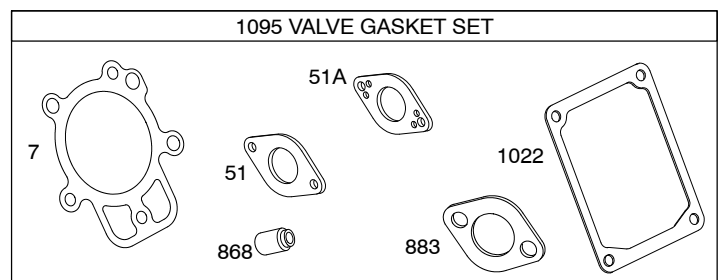
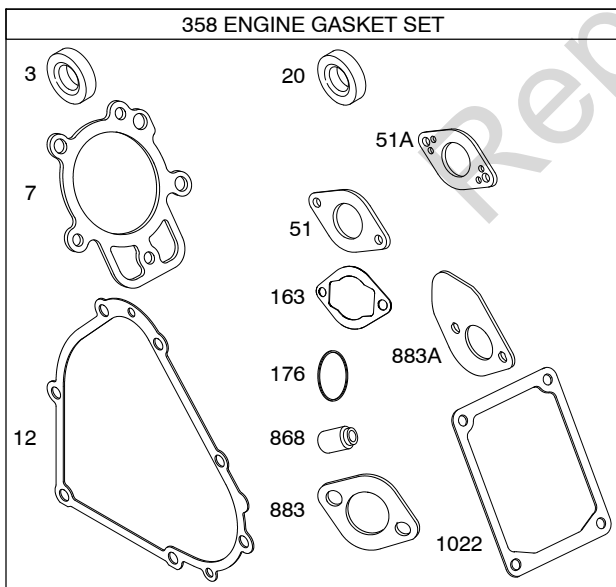
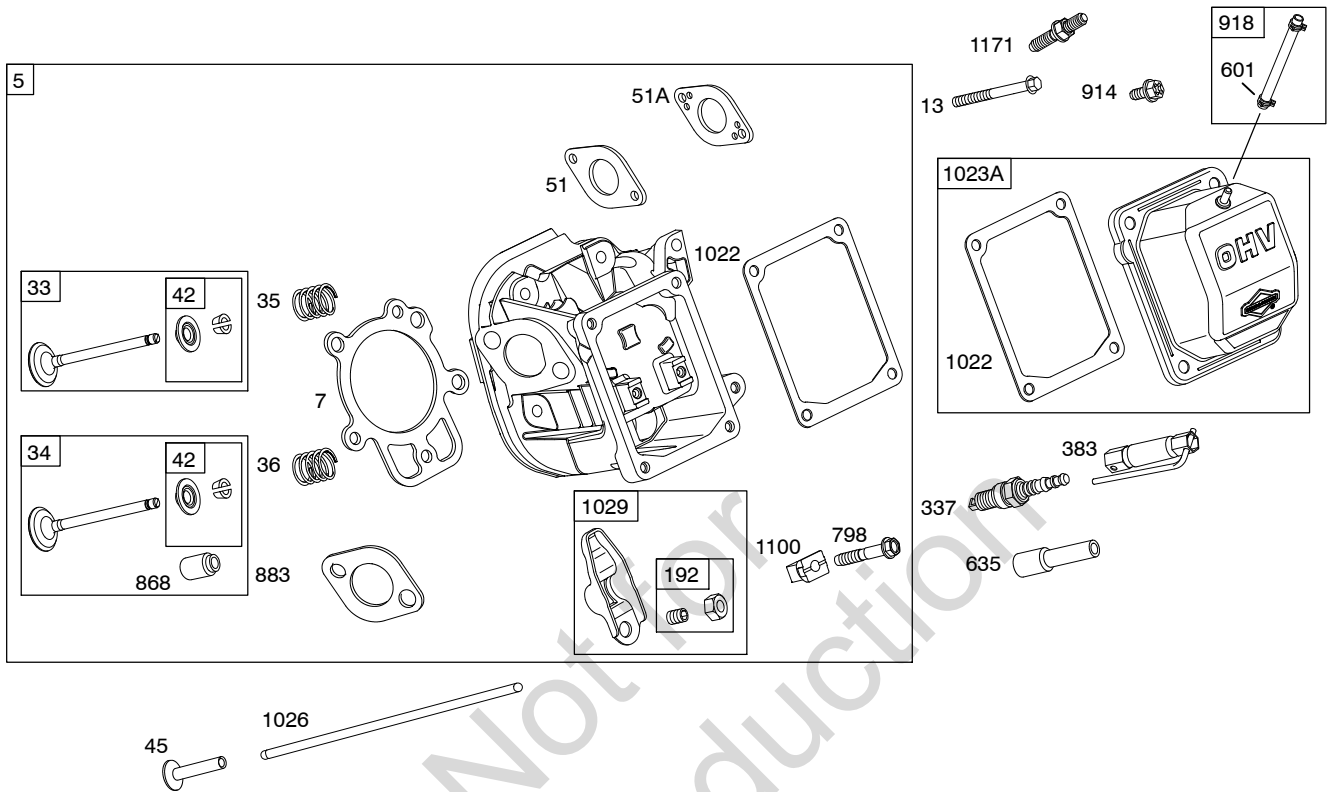
1319 WARNING LABEL

WARNING	
	Read and follow Operating instructions before running engine.
	Gasoline is flammable. Allow engine to cool at least 2 minutes before refueling.
	Engines emit carbon monoxide, DO NOT run in enclosed area.
	Muffler area temperature may exceed 150°F. Do not touch hot parts.

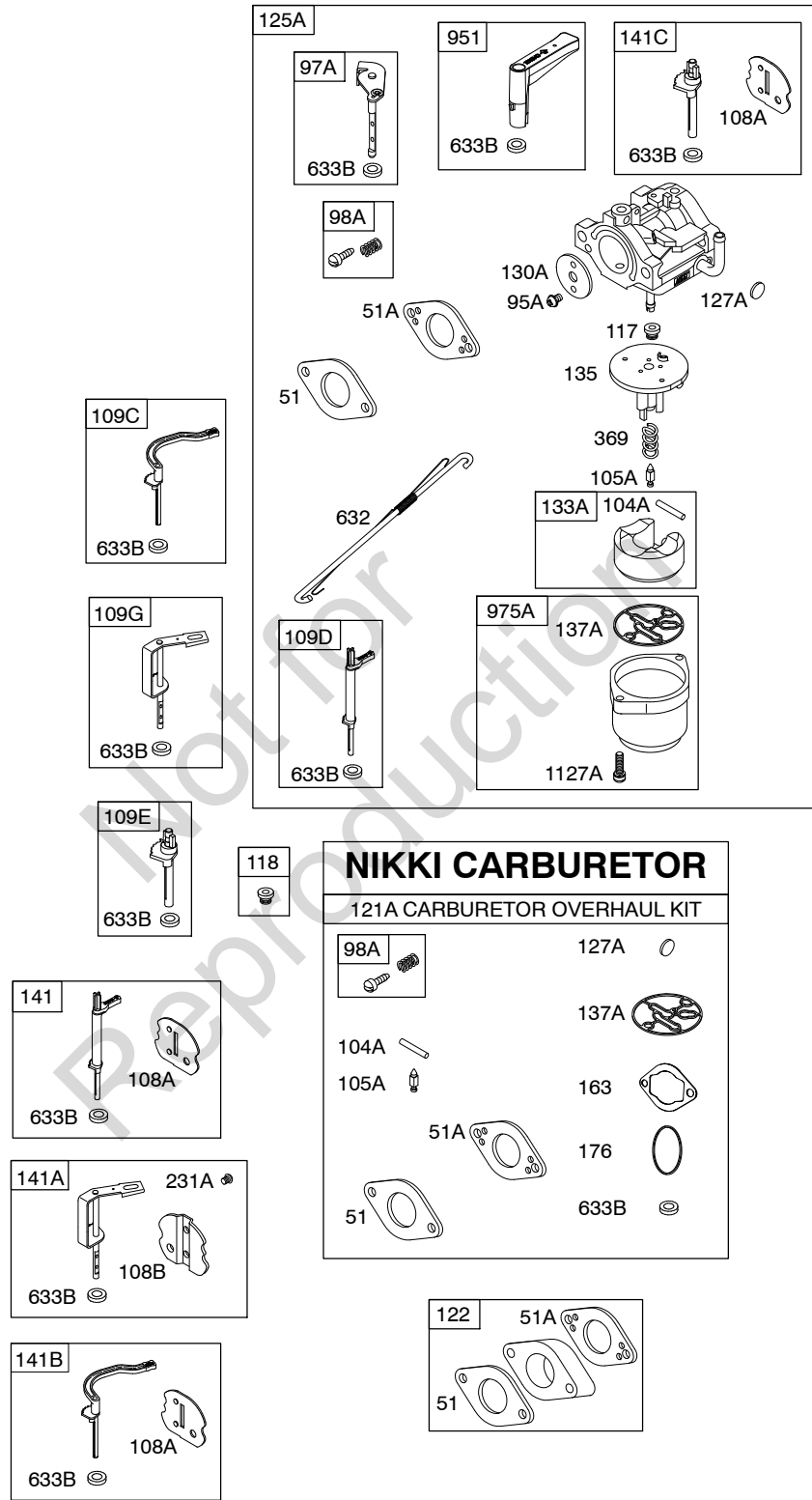
REQUIRED when replacing parts with warning labels affixed.



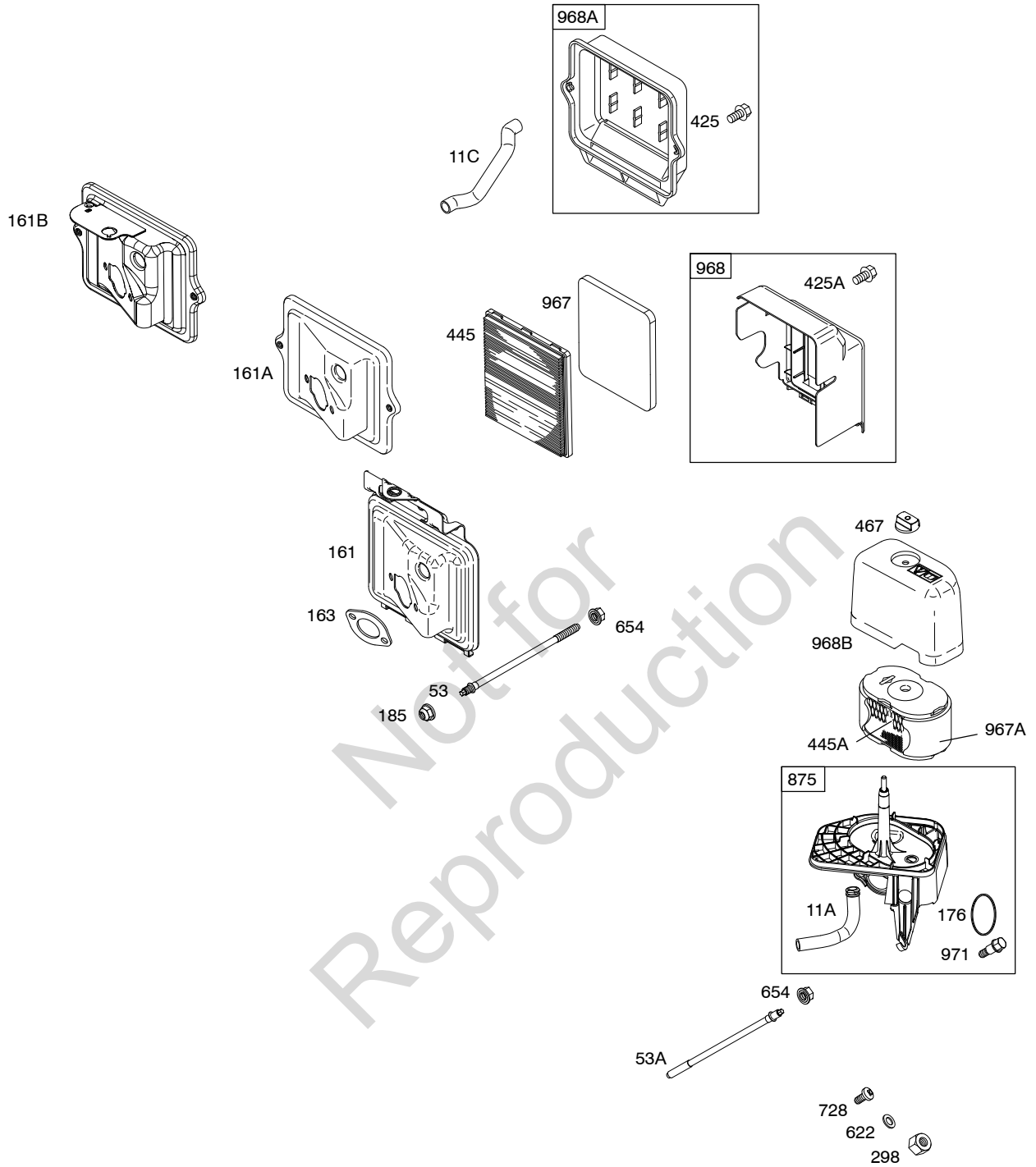
Illustrations cover a range of engines. Parts shown without corresponding text may not be used on your specific engine.
 5121-2 Assemblies include all parts shown in frames. 10/07/2008



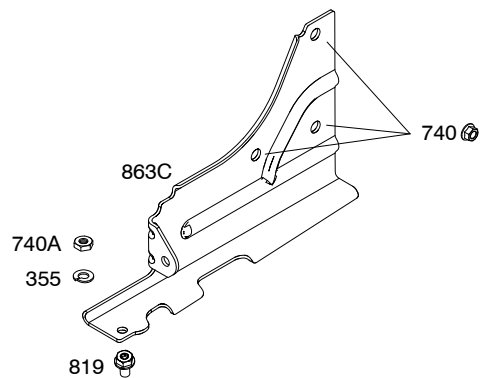
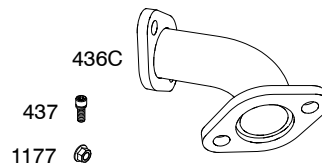
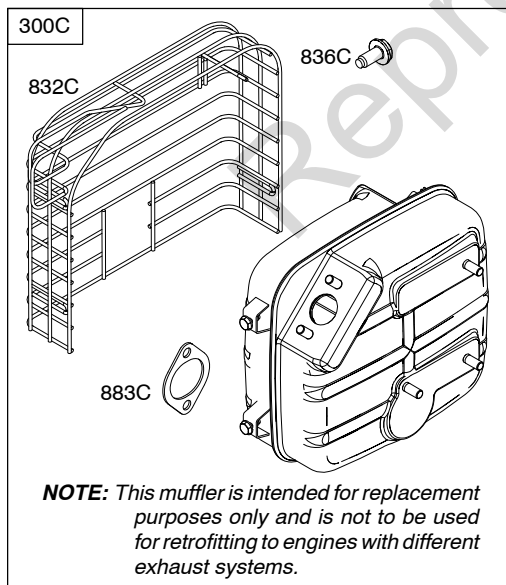
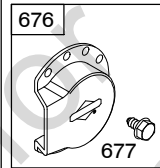
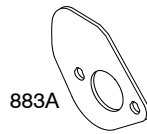
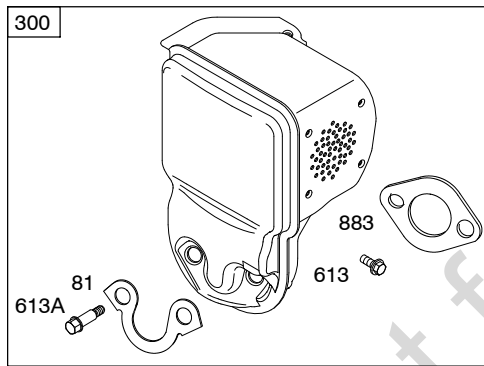
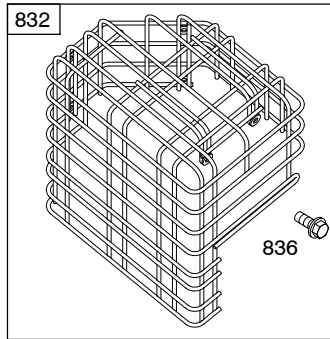
Illustrations cover a range of engines. Parts shown without corresponding text may not be used on your specific engine.
 5121-3 Assemblies include all parts shown in frames. 10/07/2008



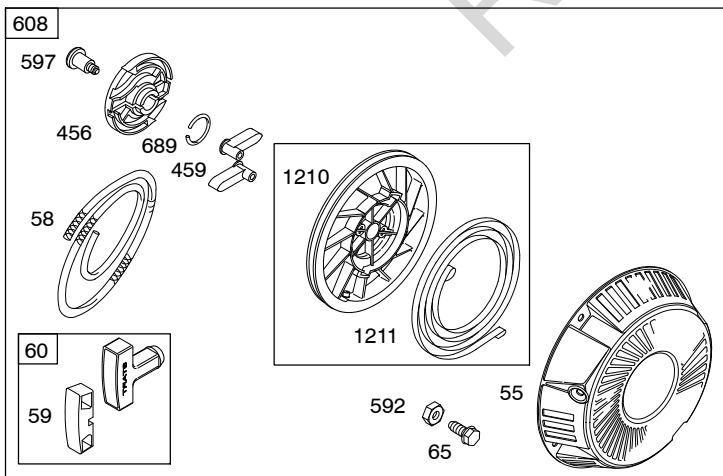
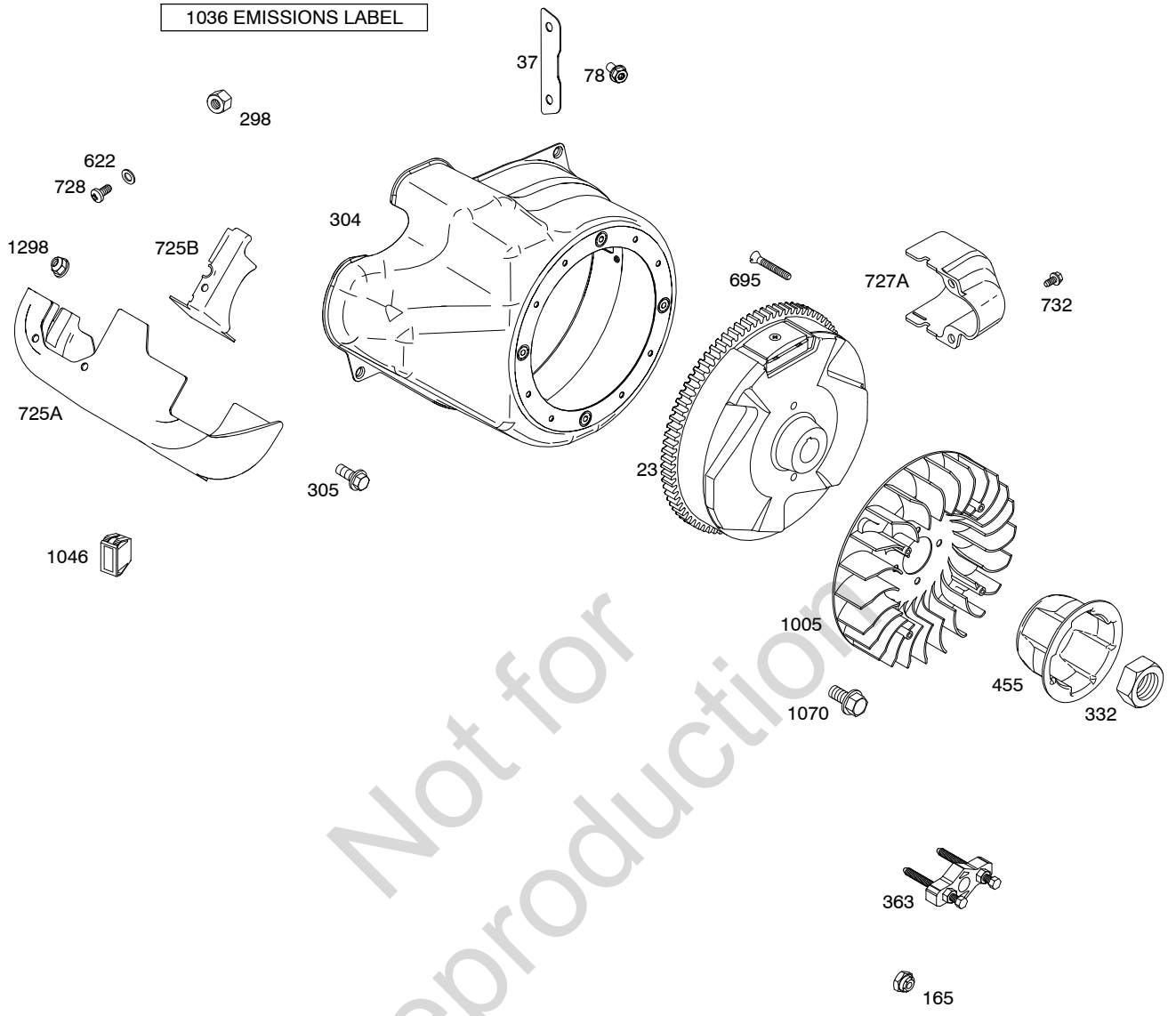
Illustrations cover a range of engines. Parts shown without corresponding text may not be used on your specific engine.
 5121-4 Assemblies include all parts shown in frames. 10/07/2008



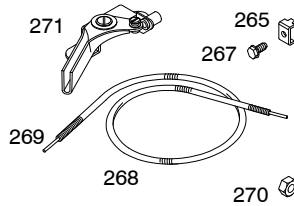
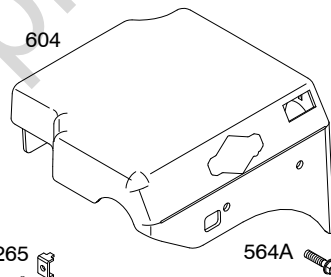
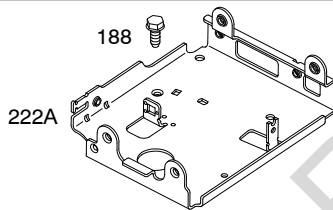
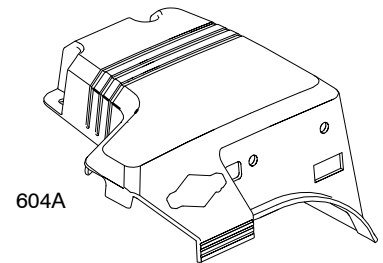
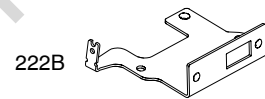
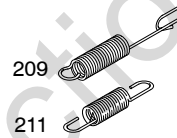
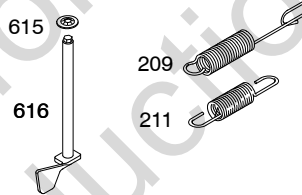
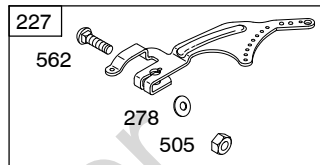
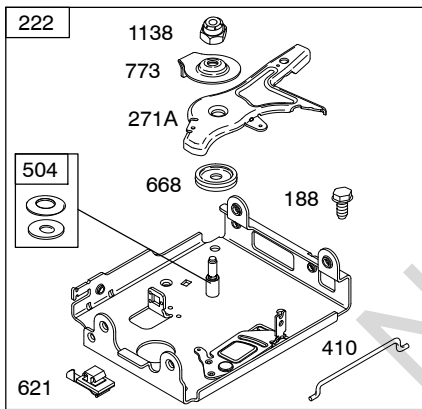
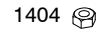
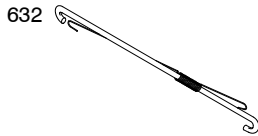
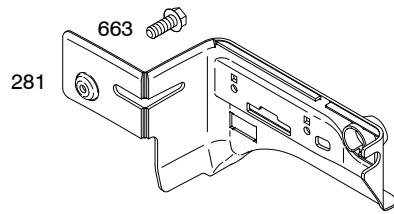
Illustrations cover a range of engines. Parts shown without corresponding text may not be used on your specific engine.
 5121-5 Assemblies include all parts shown in frames. 10/07/2008



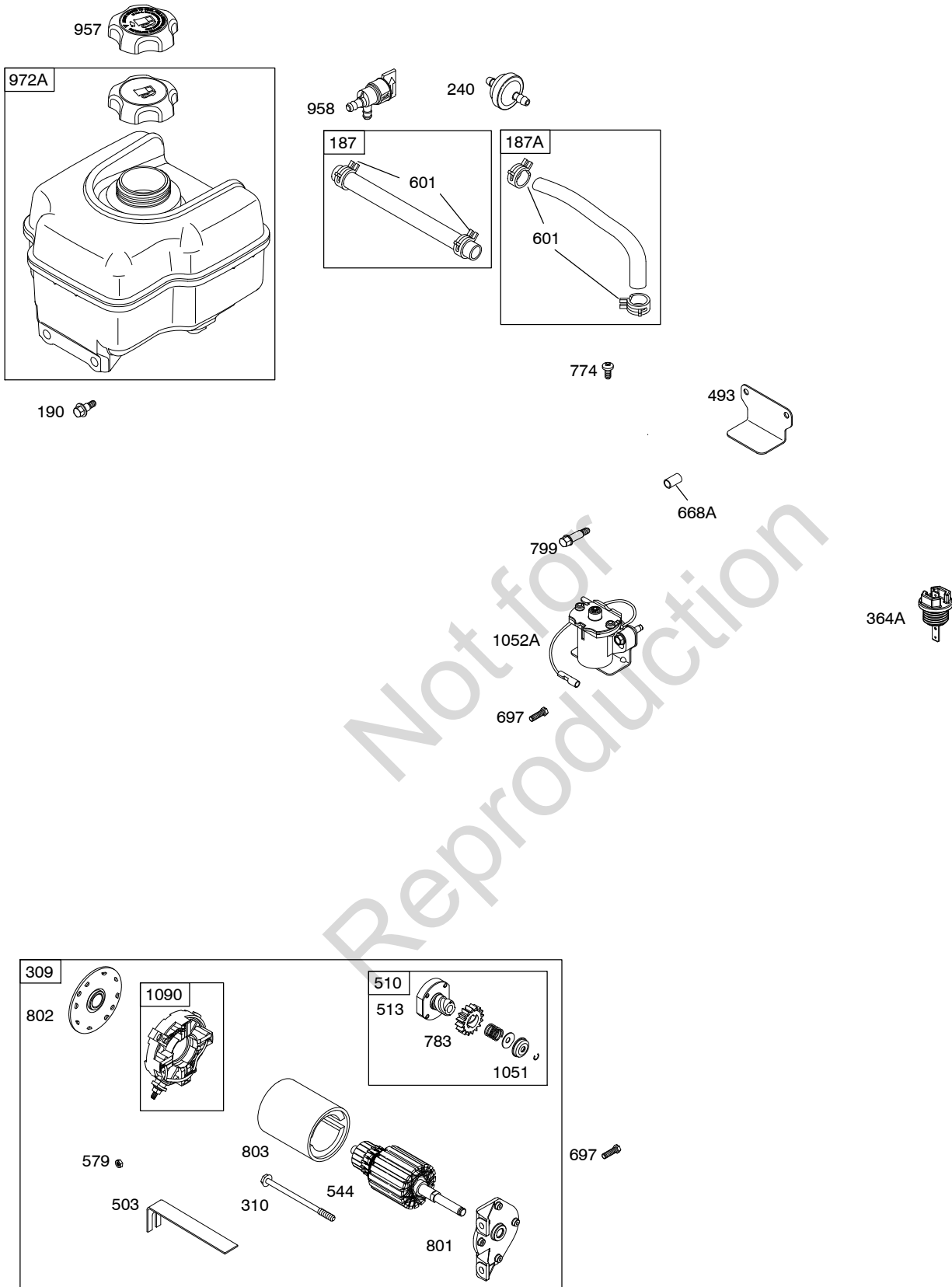
1036 EMISSIONS LABEL



Illustrations cover a range of engines. Parts shown without corresponding text may not be used on your specific engine.
 5121-7 Assemblies include all parts shown in frames. 10/07/2008



Illustrations cover a range of engines. Parts shown without corresponding text may not be used on your specific engine.
 5121-8 Assemblies include all parts shown in frames. 10/07/2008



Illustrations cover a range of engines. Parts shown without corresponding text may not be used on your specific engine.
 5121-9 Assemblies include all parts shown in frames. 10/07/2008

DC ONLY	10 - 16 AMP
474A 	474D
578 	578

NOTE: All stators use a No. 1119 mounting screw.

NOTE: The proper flywheel part number and/or the alternator magnet size will determine the alternator type or output. See repair instruction manual for additional information.

526
501

1054

813

493A

799A

286

286A

286C

1046

347

347A

334

333

851

892

664

990

500

641A

636

641

575

627

361

356

356A

356B

356C

356D

356E

356H

356J

356K

356L

REF. NO.	PART NO.	DESCRIPTION	REF. NO.	PART NO.	DESCRIPTION	REF. NO.	PART NO.	DESCRIPTION
1	793617	Cylinder Assembly	18	791412	Cover-Crankcase	24	222698S	Key-Flywheel
2	698340	Kit-Bushing/Seal (Magneto Side)			Used on Type No(s). 0035, 0036, 0046, 0125, 0141, 0187, 0192, 0194, 0535, 0536, 0546.	25	793794	Piston Assembly (Standard) (Used After Code Date 06102900).
3	★391086S	Seal-Oil (Magneto Side)						----- Note -----
5	793009	Head-Cylinder						793318 Piston Assembly (Standard) (Used Before Code Date 06103000).
7	★Δ697690	Gasket-Cylinder Head			----- Note -----			
11A	695305	Tube-Breather Used on Type No(s). 0186.			791965 Cover- Crankcase Used on Type No(s). 0070, 0100, 0105, 0110, 0111, 0114, 0124, 0127, 0131, 0132, 0134, 0135, 0136, 0137, 0138, 0140, 0142, 0145, 0150, 0152, 0186, 0188, 0193, 0570.			793797 Piston Assembly (.020" Oversize) (Used After Code Date 06102900).
11C	696796	Tube-Breather						697695 Piston Assembly (.020" Oversize) (Used Before Code Date 06103000).
12	★694953	Gasket-Crankcase	19	698340	Kit-Bushing/Seal (PTO Side)			
13	690360	Screw	20	★391086S	Seal-Oil (PTO Side)	26	793319	Ring Set (Standard) (Used After Code Date 06061800).
15	691686	Plug-Oil Drain	21	281658S	Cap-Oil Fill			----- Note -----
16	794717	Crankshaft Used on Type No(s). 0036, 0100, 0105, 0110, 0124, 0125, 0141, 0187, 0192, 0194, 0536.	22	695174	Screw (Crankcase Cover/Sump)			697692 Ring Set (Standard) (Used Before Code Date 06061900).
		----- Note -----	23	794814	Flywheel Used on Type No(s). 0035, 0036, 0046, 0070, 0100, 0105, 0111, 0114, 0124, 0125, 0131, 0135, 0136, 0145, 0150, 0186, 0187, 0188, 0192, 0194, 0535, 0536, 0546, 0570.			793324 Ring Set (.020" Oversize) (Used After Code Date 06061800).
		694678 Crankshaft Used on Type No(s). 0070, 0111, 0114, 0127, 0134, 0135, 0136, 0137, 0138, 0140, 0142, 0145, 0150, 0188, 0570.						697698 Ring Set (.020" Oversize) (Used Before Code Date 06061900).
		695818 Crankshaft Used on Type No(s). 0035, 0535.						697698 Ring Set (.020" Oversize) (Used Before Code Date 06061900).
		794716 Crankshaft Used on Type No(s). 0046, 0131, 0132, 0152, 0186, 0193, 0546.						697698 Ring Set (.020" Oversize) (Used Before Code Date 06061900).
17	695434	Bearing-Ball Used on Type No(s). 0035, 0036, 0046, 0125, 0141, 0187, 0192, 0194, 0535, 0536, 0546.						27 690975 Lock-Piston Pin
								28 696581 Pin-Piston
								29 694691 Rod-Connecting
								30 694692 Dipper-Connecting Rod
								32 690976 Screw (Connecting Rod)
								33 499596 Valve-Exhaust
								34 792200 Valve-Intake

★ Included in Engine Gasket Set-Ref. No. 358.

Δ Included in Valve Gasket Set-Ref. No. 1095.

● Included in Carburetor Overhaul Kit-Ref. No. 121A.

Illustrations cover a range of engines. Parts shown without corresponding text may not be used on your specific engine.

5121-11

Assemblies include all parts shown in frames.

10/07/2008

210400

REF. NO.	PART NO.	DESCRIPTION	REF. NO.	PART NO.	DESCRIPTION	REF. NO.	PART NO.	DESCRIPTION
35	694865	Spring-Valve (Intake)	121A	696146	Kit-Carburetor Overhaul (Nikki Carburetor)	188	690877	Screw (Control Bracket)
36	694865	Spring-Valve (Exhaust)	122	694876	Spacer-Carburetor	190	692127	Screw (Fuel Tank)
37	790730	Guard-Flywheel	125		Carburetor (To Service Complete Carburetor, See Referece Number 125A)	192	690083	Adjuster-Rocker Arm
42	499586	Keeper-Valve	125A	699966	Carburetor ----- Note ----- 695920 Carburetor Used on Type No(s). 0186.	209	694867	Spring-Governor ----- Note ----- 695491 Spring Governor Used on Type No(s). 0046, 0186, 0546.
45	690977	Tappet-Valve	127A	690727	Plug-Welch	211	695307	Spring-Governor Idle
46	790958	Camshaft	130A	696139	Valve-Throttle	219	693578	Gear-Governor
51	694874	Gasket-Intake	133A	694914	Float-Carburetor	220	691724	Washer (Governor Gear)
51A	694875	Gasket-Intake	135	696142	Tube-Fuel Transfer	222	695380	Bracket-Control Used on Type No(s). 0035, 0036, 0100, 0105, 0110, 0124, 0125, 0131, 0132, 0141, 0152, 0187, 0192, 0193, 0194, 0535, 0536.
53	694869	Stud (Carburetor)	137A	695426	Gasket-Float Bowl	222A	694866	Bracket-Control Used on Type No(s). 0046, 0070, 0111, 0114, 0127, 0134, 0135, 0136, 0137, 0140, 0145, 0150, 0186, 0546, 0570.
53A	695433	Stud (Carburetor) Used on Type No(s). 0186.	141	696145	Shaft-Choke	222B	791753	Bracket-Control
55	695288	Housing-Rewind Starter	141A	698457	Shaft-Choke	227	694864	Lever-Governor Control
58	693389	Rope-Starter (Cut to Required Length)	141B	696144	Shaft-Choke	231A	690718	Screw (Choke Valve)
59	805957	Insert-Grip	141C	699979	Shaft-Choke	240	394358S	Filter-Fuel
60	490652	Grip-Starter Rope	146	690979	Key-Timing	265	691024	Clamp-Casing Used on Type No(s). 0124, 0125, 0131, 0132, 0187, 0192.
65	691696	Screw (Rewind Starter) ----- Note ----- 690759 Screw (Rewind Starter) Used on Type No(s). 0125, 0127, 0132, 0134, 0135, 0137, 0138, 0140, 0141, 0142, 0152, 0192, 0193.	161	695384	Base-Air Cleaner	267	692577	Screw (Casing Clamp)
78	690372	Screw (Cover Flywheel Guard)	161A	694870	Base-Air Cleaner	268	691025	Casing-Control Wire (Cut to Required Length)
81	695400	Lock-Muffler Screw	161B	699960	Base-Air Cleaner	269	691026	Wire-Control (Cut to Required Length)
95A	690718	Screw (Throttle Valve)	163	692277	Gasket-Air Cleaner	270	691027	Nut (Control Wire Casing)
97A	696387	Shaft-Throttle	165	694685	Nut (Ring Gear)	271	691028	Lever-Control
98A	695408	Kit-Idle Speed	170	695296	Stud (Cover-Crankcase)	271A	695381	Lever-Control
104A	694918	Pin-Float Hinge	176	691876	Seal-O Ring (Air Cleaner Base) ----- Note ----- 691917 Seal-O Ring (Air Cleaner Base) Used on Type No(s). 0186.	278	792008	Washer (Governor Control Lever)
105A	696136	Valve-Float Needle	185	690958	Nut (Air Cleaner Base)			
108A	696143	Valve-Choke	187	791766	Line-Fuel (15 Inches Long) (Cut To Required Length)			
108B	696209	Valve-Choke	187A	791869	Line-Fuel (Used After Code Date 05063000). ----- Note ----- 695429 Line-Fuel (Used Before Code Date 05070100).			
109C	790148	Shaft-Choke						
109D	790149	Shaft-Choke						
109E	696735	Shaft-Choke						
109G	790077	Shaft-Choke						
117	696134	Jet-Main (Standard)						
118	696135	Jet-Main (High Altitude)						

★ Included in Engine Gasket Set-Ref. No. 358.

△ Included in Valve Gasket Set-Ref. No. 1095.

● Included in Carburetor Overhaul Kit-Ref. No. 121A.

Illustrations cover a range of engines. Parts shown without corresponding text may not be used on your specific engine.
5121-12 Assemblies include all parts shown in frames. 10/07/2008

REF. NO.	PART NO.	DESCRIPTION	REF. NO.	PART NO.	DESCRIPTION	REF. NO.	PART NO.	DESCRIPTION
281	697268	Panel-Control (Used After Code Date 01102800). ----- Note ----- 695294 Panel-Control (Used Before Code Date 01102900).	304	791478	Housing-Blower	355	691075	Washer (Muffler Bracket)
286	695186	Module-Oil Sensor (Used Before Code Date 03010600). Used on Type No(s). 0070, 0111, 0114, 0135.	305	691108	Screw (Blower Housing)	356	692603	Wire-Stop Used on Type No(s). 0046, 0070, 0111, 0114, 0124, 0125, 0135, 0136, 0137, 0138, 0140, 0142, 0145, 0150, 0186, 0188, 0192, 0546, 0570.
286A	696058	Module-Oil Sensor (Used Before Code Date 03082000). Used on Type No(s). 0140.	306A	697240	Shield-Cylinder (Used After Code Date 01102800).	356A	692390	Wire-Stop Used on Type No(s). 0035, 0036, 0100, 0105, 0110, 0131, 0141, 0194, 0535, 0536.
286C	699951	Module-Oil Sensor Used on Type No(s). 0134, 0136, 0137, 0142, 0145, 0150, 0570. ----- Note ----- 699951 Module-Oil Sensor (Used After Code Date 03010500). Used on Type No(s). 0070, 0111, 0114, 0135. 699951 Module-Oil Sensor (Used After Code Date 03081900). Used on Type No(s). 0140.	307	691108	Screw (Cylinder Shield)	356B	695815	Wire-Stop
287	691693	Screw (Dipstick Tube) Used on Type No(s). 0046, 0124, 0132, 0134, 0152, 0186, 0193, 0546.	307A	691660	Screw (Cylinder Shield)	356C	695295	Wire-Stop Used on Type No(s). 0046, 0070, 0111, 0114, 0124, 0125, 0135, 0137, 0140, 0150, 0186, 0192, 0546, 0570.
298	698838	Locknut-Muffler/Elbow	309	695479	Motor-Starter Used on Type No(s). 0127, 0132, 0134, 0140, 0141, 0142, 0152, 0193. ----- Note ----- 794498 Motor-Starter Used on Type No(s). 0137, 0138.	356D	695366	Wire-Stop Used on Type No(s). 0070, 0111, 0114, 0140, 0570.
300	697252	Muffler ----- Note ----- 698101 Muffler Used on Type No(s). 0150.	310	690323	Bolt (Starter Motor)	356E	697336	Wire-Stop Used on Type No(s). 0132, 0134, 0152. ----- Note ----- 699340 Wire-Stop Used on Type No(s). 0140, 0187.
300C	793701	Muffler (This muffler is intended for replacement purposes only and is not to be used for retrofitting to engines with different exhaust systems)	332	694685	Nut (Flywheel)	356H	696482	Wire-Stop Used on Type No(s). 0046, 0070, 0111, 0114, 0124, 0135, 0136, 0137, 0138, 0142, 0145, 0150, 0186, 0188, 0546, 0570.
			333	492341	Armature-Magneto	356J	699994	Wire-Stop
			334	691061	Screw (Magneto Armature)	356K	697397	Wire-Stop Used on Type No(s). 0127, 0132, 0135, 0193.
			337	491055S	Plug-Spark ----- Note ----- 691043 Plug-Spark Used on Type No(s). 0105, 0125, 0535, 0536, 0546.	356L	792609	Wire-Stop
			347	697854	Switch-Rocker Used on Type No(s). 0070, 0111, 0114, 0135, 0136, 0137, 0140, 0142, 0145, 0150, 0570.			
			347A	698338	Switch-Rocker Used on Type No(s). 0046, 0124, 0125, 0138, 0186, 0188, 0192, 0546.			
			347B	790949	Switch-Rocker Used on Type No(s). 0132, 0134, 0152, 0193.			

★ Included in Engine Gasket Set-Ref. No. 358.

● Included in Carburetor Overhaul Kit-Ref. No. 121A.

△ Included in Valve Gasket Set-Ref. No. 1095.

Illustrations cover a range of engines. Parts shown without corresponding text may not be used on your specific engine.

210400

REF. NO.	PART NO.	DESCRIPTION	REF. NO.	PART NO.	DESCRIPTION	REF. NO.	PART NO.	DESCRIPTION
358	695438	Gasket Set-Engine	500	691086	Washer (Key Switch)	615	694676	Retainer-Governor Shaft
361	691681	Screw (Starting Switch)	500A	792613	Washer (Key Switch)			(Governor Gear)
361A	690297	Screw (Starting Switch)	501	691185	Regulator	616	694675	Crank-Governor
363	19203	Puller-Flywheel			Used on Type No(s). 0132, 0142, 0152, 0193.	621	692310	Switch-Stop
364A	699947	Terminal-Oil Plug	503	691532	Strap-Starter	622	698839	Washer (Heat Shield)
369	695422	Spring-Float Bowl	504	695383	Washer Set-Friction	627	696064	Panel
383	19374S	Wrench-Spark Plug	505	691251	Nut (Governor Control Lever)	627A	792608	Panel
410	695382	Link-Control	510	693699	Drive Starter	632	695917	Link-Throttle (Use With Nikki Carburetor)
415	691363	Plug	513	692024	Clutch-Drive	633B	690998	Seal-Choke/Throttle Shaft
425	694515	Screw (Air Cleaner Cover)	522	697689	Plug-Dipstick/Fill Used on Type No(s). 0114, 0136, 0137.	635	691909	Boot-Spark Plug
425A	790043	Screw (Air Cleaner Cover)	523	695344	Dipstick	636	691029	Nut (Starting Switch) (1/4" Diameter)
436C	792374	Manifold-Exhaust	524	691876	Seal-Dipstick Tube			----- Note -----
437	696705	Screw (Exhaust Manifold)	525	695343	Tube-Dipstick			696198 Nut
445	491588S	Filter-Air Cleaner Cartridge	526	690297	Screw (Regulator)			(Starting Switch) (5/16" Diameter)
445A	695302	Filer-Air Cleaner Cartridge Used on Type No(s). 0186.	529	791822	Grommet	641	691075	Washer (Starting Switch)
455	694683	Cup-Flywheel	544	692034	Armature Starter	641A	690282	Washer (Starting Switch)
		----- Note ----- 697357 Cup-Flywheel Used on Type No(s). 0145.	552	694674	Bushing-Governor Crank			654 690958 Nut (Carburetor)
456	692299	Plate-Pawl Friction	562	793216	Bolt (Governor Control Lever)			663 692577 Screw (Control Panel)
459	281505S	Pawl-Ratchet	564	692577	Screw (Control Cover)			----- Note -----
467	691668	Knob-Air-Cleaner Used on Type No(s). 0186.	564A	692198	Screw (Control Cover)			690372 Screw (Control Panel) Used on Type No(s). 0134, 0152.
474A	695730	Alternator (DC Only) Used on Type No(s). 0134.	575	692303	Switch-Starter	664	691087	Nut (Key Switch)
474D	695466	Alternator (10-16 Amp Regulated)) Used on Type No(s). 0132, 0142, 0152, 0193.	577	690630	Cable Starter	668	694257	Spacer (Control Bracket)
493	694861	Bracket-Mounting Used on Type No(s). 0070, 0111, 0114, 0134, 0135, 0140.	577A	690795	Cable Starter	668A	693604	Spacer
493A	691177	Bracket-Mounting Used on Type No(s). 0132, 0142, 0152, 0193.	578	692306	Wire Assembly	676	393761	Deflector-Muffler (Side Out)
			578A	790948	Wire Assembly	677	690661	Screw (Muffler Deflector)
			579	691029	Nut (Starter Cable)	689	691855	Spring-Friction
			592	690800	Nut (Rewind Starter)	695	698807	Screw (Ring Gear)
			597	691696	Screw (Pawl Friction Plate)	697	690372	Screw (Drive Cap)
			601	791850	Clamp-Hose	718	690959	Pin-Locating
			604	697326	Cover-Control	718A	695178	Pin-Locating
			604A	791752	Cover-Control			
			608	695287	Starter-Rewind			
			613	695312	Screw (Muffler)			
			613A	695399	Screw (Muffler)			

★ Included in Engine Gasket Set-Ref. No. 358.

△ Included in Valve Gasket Set-Ref. No. 1095.

● Included in Carburetor Overhaul Kit-Ref. No. 121A.

Illustrations cover a range of engines. Parts shown without corresponding text may not be used on your specific engine.
5121-14 Assemblies include all parts shown in frames. 10/07/2008

REF. NO.	PART NO.	DESCRIPTION	REF. NO.	PART NO.	DESCRIPTION	REF. NO.	PART NO.	DESCRIPTION
725A	792995	Heat Shield Used on Type No(s). 0136, 0137, 0138, 0145, 0188.	813	690635	Clamp Used on Type No(s). 0132, 0134, 0142, 0152, 0193.	918	791880	Hose-Vacumn
725B	698837	Heat Shield Used on Type No(s). 0136, 0137, 0138, 0145, 0188.	819	690352	Screw (Muffler Bracket)	920	691656	Solenoid-Starter
727A	697465	Cover-Starter Drive	832	795035	Guard-Muffler Used on Type No(s). 0105, 0124, 0125, 0134, 0150, 0192.	951	699961	Lever-Choke
728	696763	Screw (Heat Shield)	832C	792380	Guard-Muffler	957	792647	Cap-Fuel Tank (Plastic)
732	691097	Screw (Starter Drive Cover)	836	690367	Screw (Muffler Guard)	958	698180	Valve-Fuel Shut Off (Plastic)
740	710090	Nut (Muffler Bracket)	836C	710023	Screw (Muffler Guard)			Used on Type No(s). 0035, 0036, 0046, 0100, 0105, 0110, 0124, 0125, 0131, 0132, 0141, 0152, 0186, 0187, 0192, 0193, 0194, 0535, 0536, 0546.
740A	793859	Nut (Muffler Bracket)	842	691876	Seal-O Ring (Dipstick Tube)	967	491435S	Filter-Pre Cleaner
741	691288	Gear-Timing			----- Note -----	967A	695303	Filter-Pre Cleaner Used on Type No(s). 0186.
742	692564	Retainer-E Ring			691031 Seal-O Ring (Dipstick Tube)	968	790959	Cover-Air Cleaner
746	694679	Gear-Idler			Used on Type No(s). 0046, 0124, 0186, 0546.	968A	692321	Cover-Air Cleaner
773	694258	Retainer				968B	695301	Cover-Air Cleaner
774	695447	Screw (Stop Wire)				971	695181	Screw (Air Cleaner Base To Carburetor)
783	693713	Gear-Pinion	847	695342	Dipstick/Tube Assembly Used on Type No(s). 0046, 0124, 0186, 0546.	972A	694260	Tank-Fuel (Plastic)
798	697890	Screw (Rocker Arm)				975A	696138	Bowl-Float
799	690297	Screw (Oil Sensor) Used on Type No(s). 0070, 0111, 0114, 0132, 0134, 0136, 0137, 0140, 0142, 0145, 0150, 0152, 0193, 0570.	851	692424	Terminal-Spark Plug	990	691959	Key Set
			863C	793700	Bracket-Muffler	990A	695756	Key Set
			868	★△690968	Seal-Valve	1005	694684	Fan-Flywheel
			875	695304	Base-Air Cleaner (Plastic) Used on Type No(s). 0186.	1022	★△690971	Gasket-Rocker Cover
799A	695446	Screw (Oil Sensor) Used on Type No(s). 0111, 0140.	883	★△695398	Gasket-Exhaust	1023A	697691	Cover-Rocker Arm
801	694482	Cap-Drive	883A	★697255	Gasket-Exhaust	1026	695177	Rod-Push
802	691286	Cap-End	883C	710250	Gasket-Exhaust	1029	690972	Arm-Rocker
803		Housing-Starter (Not Serviced Separately, Order Starter Motor 695479)	892	392833	Switch-Key	1036		Label-Emissions (Available From A Briggs & Stratton Authorized Dealer)
			892A	791944	Switch-Key	1046	691337	Plug-Blower Housing Used on Type No(s). 0127, 0134, 0135, 0140.
			914	693732	Screw (Rocker Cover)			

★ Included in Engine Gasket Set-Ref. No. 358.

● Included in Carburetor Overhaul Kit-Ref. No. 121A.

△ Included in Valve Gasket Set-Ref. No. 1095.

Illustrations cover a range of engines. Parts shown without corresponding text may not be used on your specific engine.

5121-15

Assemblies include all parts shown in frames.

10/07/2008

210400

REF. NO.	PART NO.	DESCRIPTION	REF. NO.	PART NO.	DESCRIPTION	REF. NO.	PART NO.	DESCRIPTION
1051	691265	Ring-Retaining Used on Type No(s). 0127, 0132, 0134, 0137, 0138, 0140, 0141, 0142, 0152, 0193.	1070	690364	Screw (Flywheel Fan)	1194	691876	Seal-O Ring (Plug)
1052A	791159	Sensor Oil	1090	691293	Retainer-Brush	1210	498144	Pulley/Spring Assembly (Pulley)
1054	280275	Tie-Cable	1095	695440	Gasket Set-Valve	1211	498144	Pulley/Spring Assembly (Spring)
1058	277040	Manual-Operator's ----- Note ----- MS3780 Manual- Operator's Used on Type No(s). 0046, 0105, 0192, 0535, 0536, 0546, 0570.	1100	791959	Pivot-Rocker Arm	1230	791754	Stud (Control Bracket)
			1119	691183	Screw (Alternator)	1298	696757	Nut (Heat Shield)
			1127A	695407	Screw-Float Bowl	1319	794467	Label-Warning
			1138	694255	Nut (Control Bracket)	1404	696757	Nut (Control Cover)
			1171	696754	Stud (Rocker Cover)			
			1177	710090	Nut (Muffler)			

★ Included in Engine Gasket Set-Ref. No. 358.

● Included in Carburetor Overhaul Kit-Ref. No. 121A.

△ Included in Valve Gasket Set-Ref. No. 1095.

Illustrations cover a range of engines. Parts shown without corresponding text may not be used on your specific engine.

5121-16

Assemblies include all parts shown in frames.

10/07/2008

Not for
Reproduction

Not for
Reproduction

Not for
Reproduction

Not for
Reproduction



Free Manuals Download Website

<http://myh66.com>

<http://usermanuals.us>

<http://www.somanuals.com>

<http://www.4manuals.cc>

<http://www.manual-lib.com>

<http://www.404manual.com>

<http://www.luxmanual.com>

<http://aubethermostatmanual.com>

Golf course search by state

<http://golfingnear.com>

Email search by domain

<http://emailbydomain.com>

Auto manuals search

<http://auto.somanuals.com>

TV manuals search

<http://tv.somanuals.com>