



Illustrated Parts List

Model Series

219900

TYPE NUMBERS
0110 through 0172.

TABLE OF CONTENTS

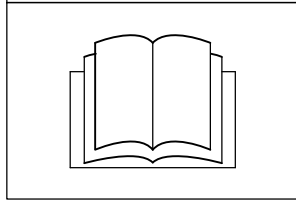
Air Cleaner	6
Alternator	9
Blower Housing	6
Camshaft	3
Carburetor	5
Controls	8
Crankshaft	3
Cylinder	2
Cylinder Head	4
Electric Starter	7
Engine Sump	2
Exhaust System	6
Flywheel	7
Fuel Supply	8
Gasket Set - Engine	4
Gasket Set - Valve	4
Governor Spring	8
Ignition	8
Intake Manifold	4
Kit - Carburetor Overhaul	5
Lubrication	3
Operator's Manual	2
Piston, Rings, Connecting Rod	3
Rewind Starter	7
Valves	4
Warning Label	2

PRINTED IN U.S.A.



COPYRIGHT by BRIGGS & STRATTON CORPORATION
All rights reserved. No part of this material may be reproduced or transmitted,
in any form or by any means, electronic or mechanical, including photocopying,
recording or by any information storage and retrieval system, without permission
in writing from Briggs & Stratton Corporation.

1058 OPERATOR'S MANUAL

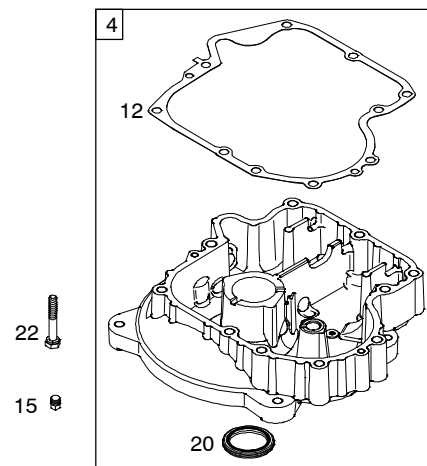
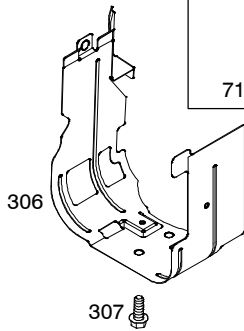
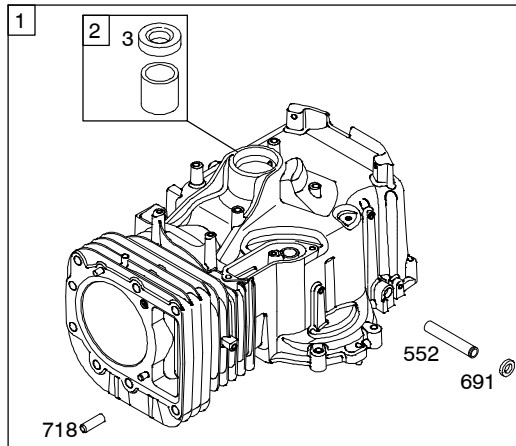


1319 WARNING LABEL

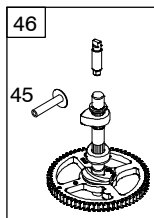
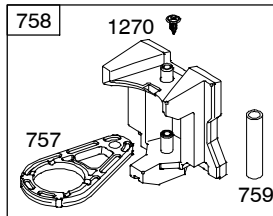
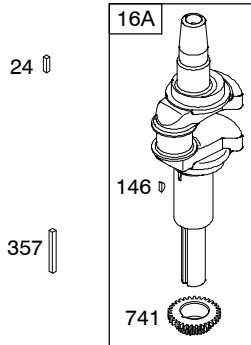
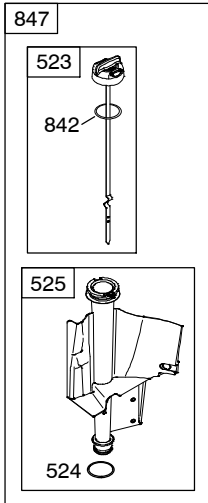
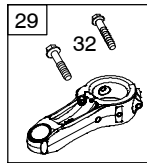
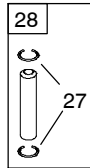
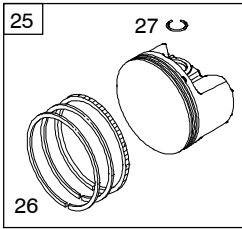
WARNING	
	Read and follow Operating Instructions before running engine.
	Gasoline is flammable. Allow engine to cool at least 2 minutes before refueling.
	Engines emit carbon monoxide, DO NOT run in enclosed area.
	Muffler area temperature may exceed 150°F. Do not touch hot parts.

REQUIRED when replacing parts with warning labels affixed.

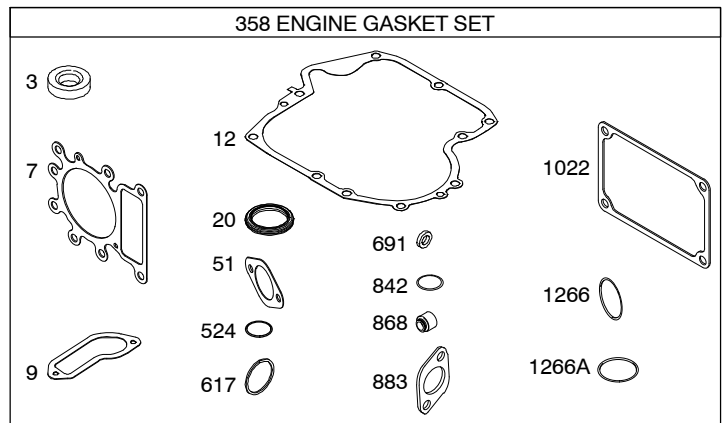
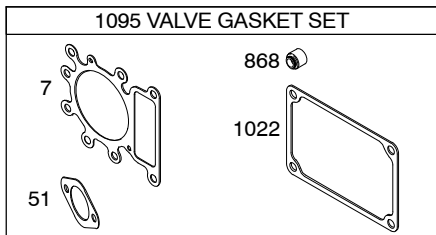
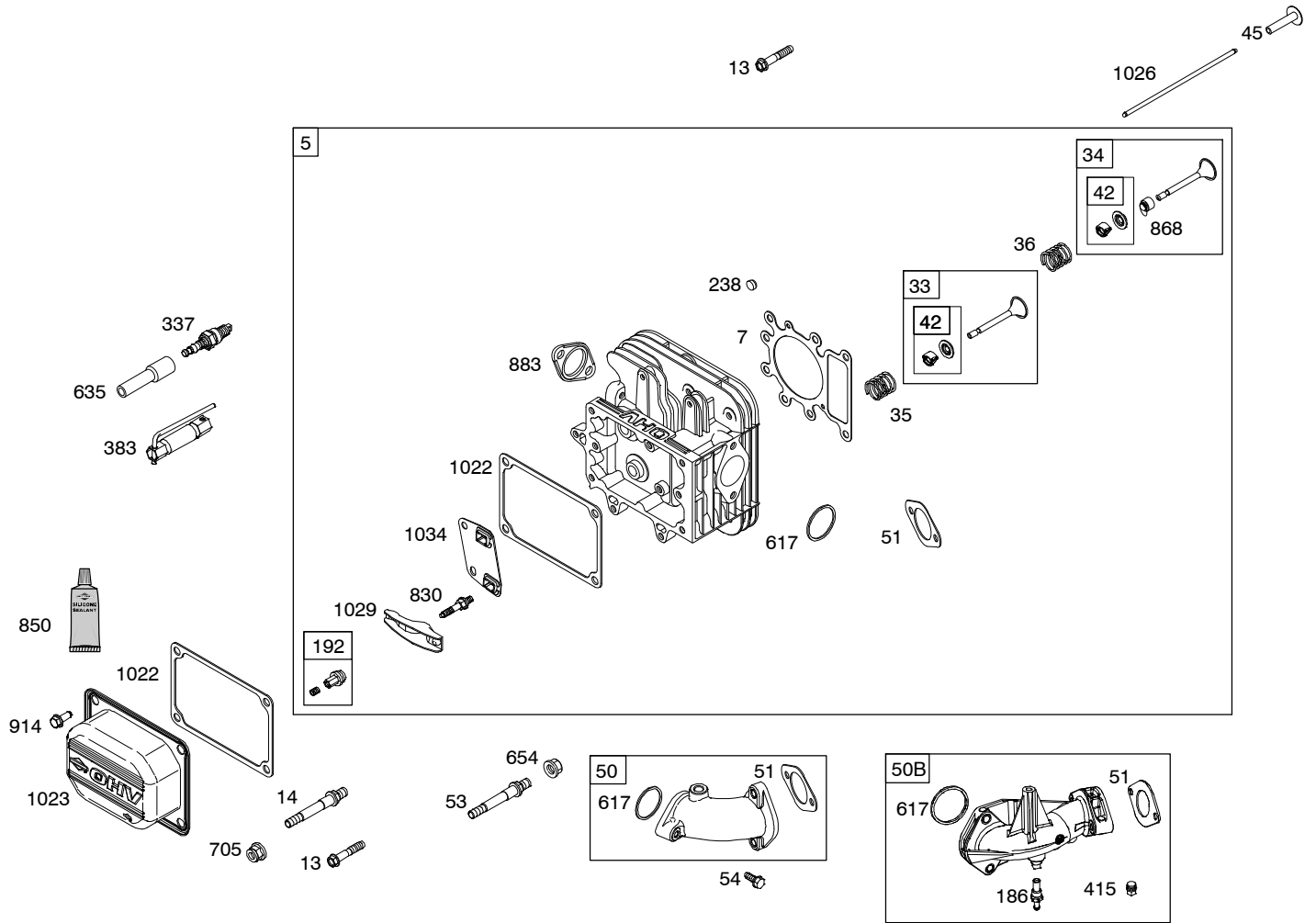
- 11
- 10
- 584
- 9
- 1264
- 1263
- 850



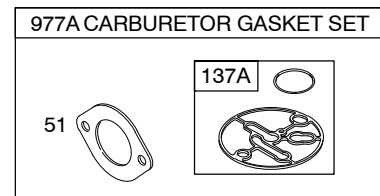
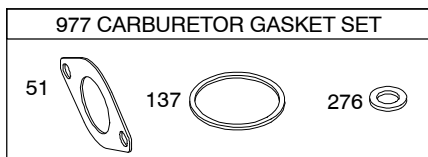
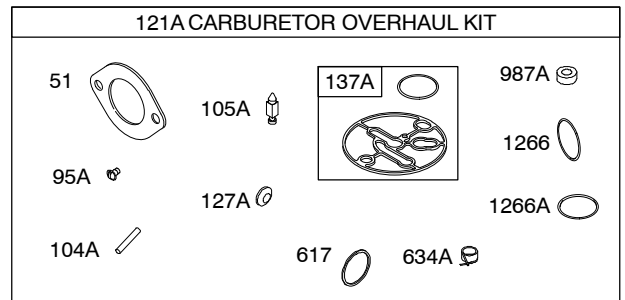
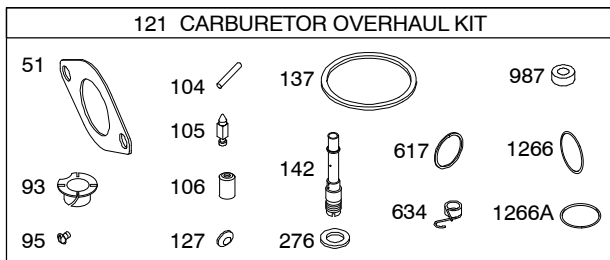
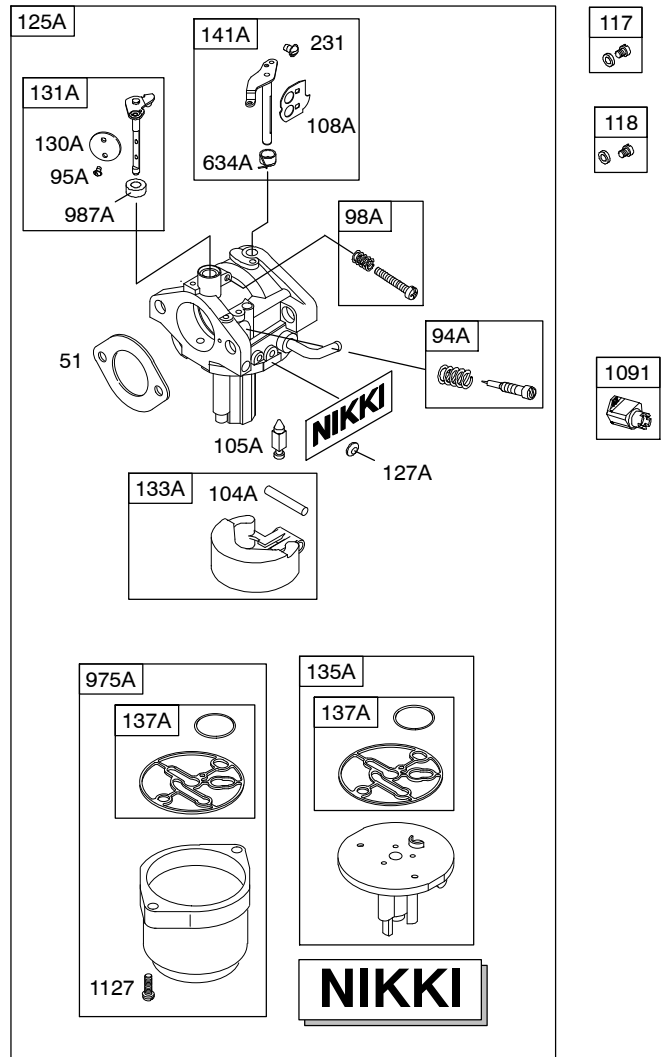
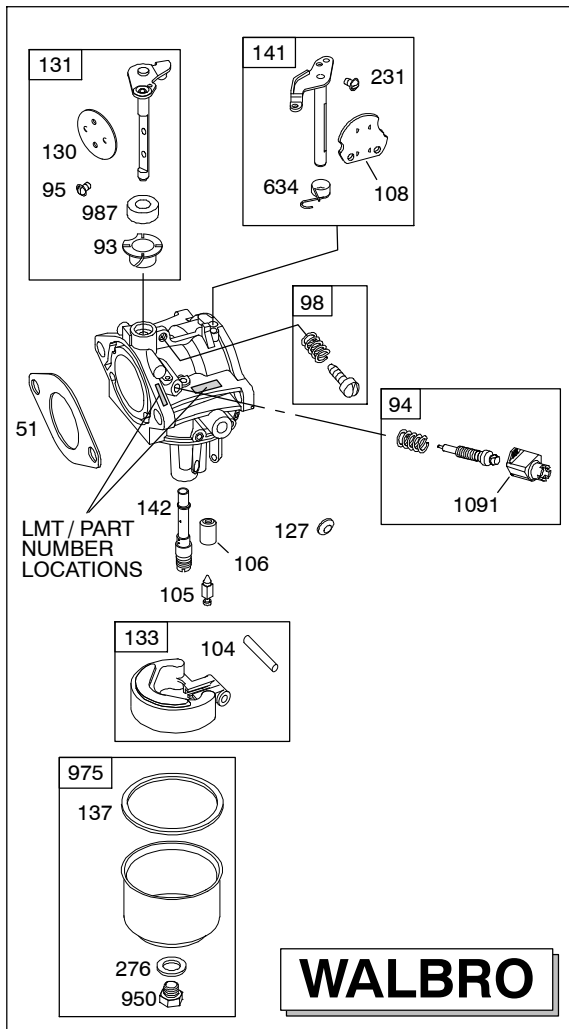
Illustrations cover a range of engines. Parts shown without corresponding text may not be used on your specific engine.



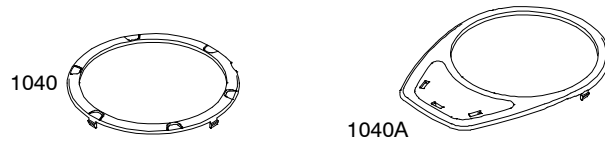
Illustrations cover a range of engines. Parts shown without corresponding text may not be used on your specific engine.
 5713-3 Assemblies include all parts shown in frames. 06/13/2008



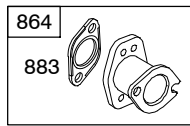
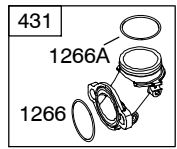
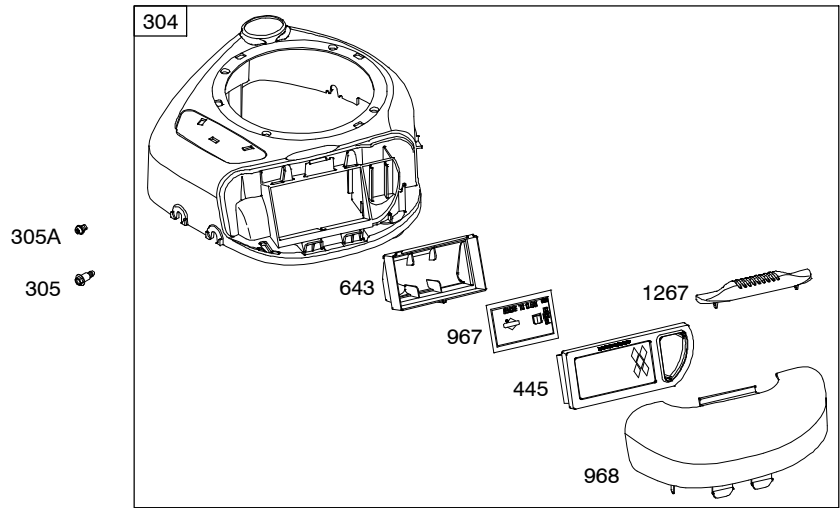
Illustrations cover a range of engines. Parts shown without corresponding text may not be used on your specific engine.



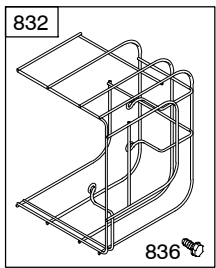
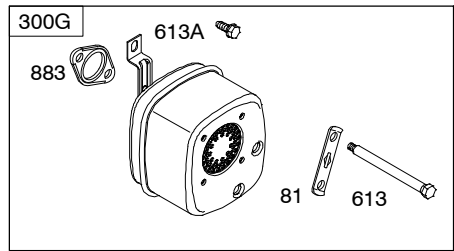
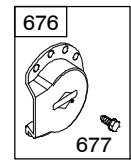
Illustrations cover a range of engines. Parts shown without corresponding text may not be used on your specific engine.



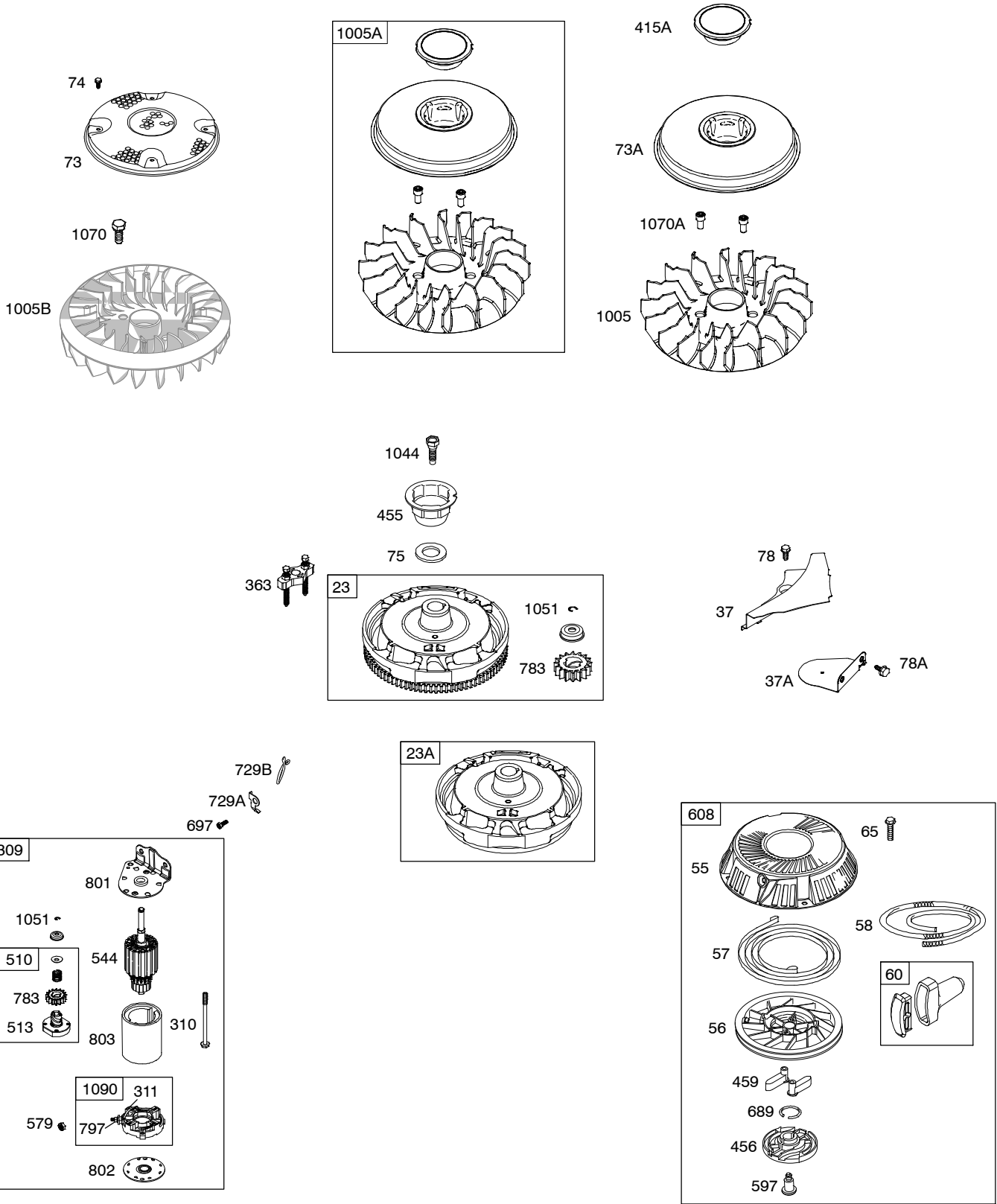
1036 EMISSIONS LABEL



823

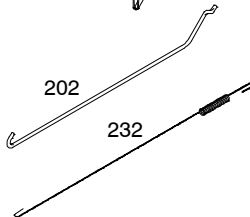
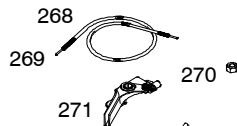
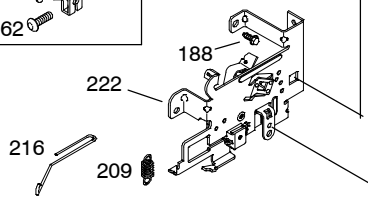
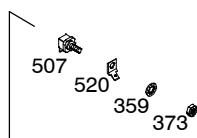
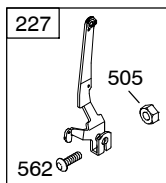
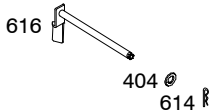
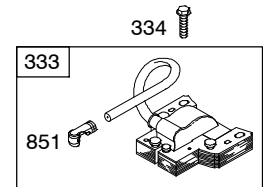
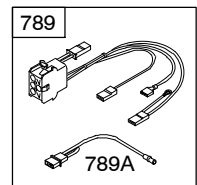
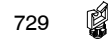
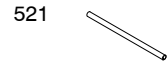
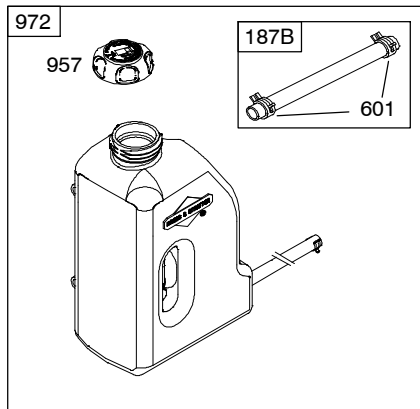
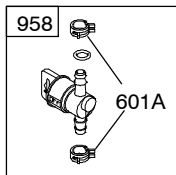
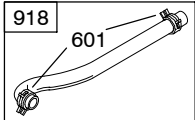
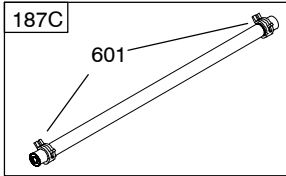
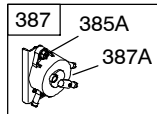
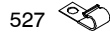
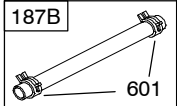
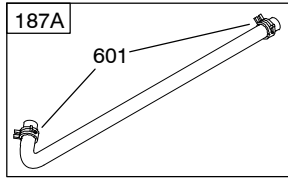
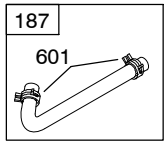


Illustrations cover a range of engines. Parts shown without corresponding text may not be used on your specific engine.

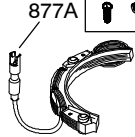





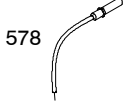

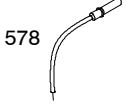

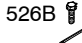
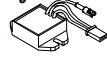



Illustrations cover a range of engines. Parts shown without corresponding text may not be used on your specific engine.

219900



Illustrations cover a range of engines. Parts shown without corresponding text may not be used on your specific engine.
 5713-8 Assemblies include all parts shown in frames. 06/13/2008

DC ONLY		DUAL CIRCUIT		5 - 9 AMP	
474A	1059	474B	1059	474C	1059
					
					

NOTE: All stators use a No. 1119 mounting screw. 

NOTE: The proper flywheel part number and/or the alternator magnet size will determine the alternator type or output. See repair instruction manual for additional information.

Illustrations cover a range of engines. Parts shown without corresponding text may not be used on your specific engine.

219900

REF. NO.	PART NO.	DESCRIPTION	REF. NO.	PART NO.	DESCRIPTION	REF. NO.	PART NO.	DESCRIPTION
1	697377	Cylinder Assembly	23	698282	Flywheel Used on Type No(s). 0111, 0112, 0136.	28	697099	Pin-Piston
2	399265	Kit-Bushing/Seal (Magneto Side)				29	791633	Rod-Connecting (Standard)
3	★391086S	Seal-Oil (Magneto Side)			----- Note -----			----- Note -----
4	697106	Sump-Engine (Used After Code Date 05100200). ----- Note ----- 795940 Sump-Engine (Used Before Code Date 05100200). Must Use Kit 795940, Includes Sump And Counterweight.			698281 Flywheel Used on Type No(s). 0105, 0110, 0114, 0118, 0126, 0170, 0171, 0172. 693557 Flywheel Used on Type No(s). 0123, 0125, 0131. 693556 Flywheel Used on Type No(s). 0124.			697262 Rod- Connecting (.020" Undersize) (Used Before Code Date 05040400).
5	792964	Head-Cylinder	23A	693555	Flywheel Used on Type No(s). 0127, 0134, 0135.	32	791118	Screw (Connecting Rod)
7★	△273280S	Gasket-Cylinder Head				33	791934	Valve-Exhaust (Used After Code Date 06120300). ----- Note -----
9	★697109	Gasket-Breather (Used Before Code Date 07071900). (After Date Code Use Liquid Sealant Reference 850)	24	222698S	Key-Flywheel			695760 Valve-Exhaust (Used Before Code Date 06120400).
			25	792305	Piston Assembly (Standard) ----- Note ----- 792728 Piston Assembly (.020" Oversize)	34	791935	Valve-Intake (Used After Code Date 06120300). ----- Note -----
10	697157	Screw (Breather Assembly)						695761 Valve-Exhaust (Used Before Code Date 06120400).
11	794683	Tube-Breather (Used After Code Date 07071800). ----- Note -----	26	792306	Ring Set (Standard) ----- Note -----	35	691279	Spring-Valve (Intake)
		697113 Tube-Breather (Used Before Code Date 07071900).			792643 Ring Set (.020" Oversize)	36	691279	Spring-Valve (Exhaust)
12	★697110	Gasket-Crankcase (.015" Thick) (Standard)	27	698469	Lock-Piston Pin (Used After Code Date 02100300). ----- Note -----	37	697352	Guard-Flywheel
					698138 Lock-Piston Pin (Used Before Code Date 02100400).	37A	697626	Guard-Flywheel Used on Type No(s). 0124, 0127, 0134, 0135.
13	690360	Screw (Cylinder Head)						
14	790560	Stud (Cylinder Head)						
15	690946	Plug-Oil Drain (3/8" Standard)						
16A	697390	Crankshaft						
20	★791892	Seal-Oil (PTO Side)						
22	692125	Screw (Crankcase Cover/Sump)						

★ Included in Engine Gasket Set-Ref. No. 358.

● Included in Carburetor Overhaul Kit-Ref. No. 121 or 121A.

◆ Included in Carburetor Gasket Set-Ref. No. 977 or 977A.

△ Included in Valve Gasket Set-Ref. No 1095.

Illustrations cover a range of engines. Parts shown without corresponding text may not be used on your specific engine.

5713-10

Assemblies include all parts shown in frames.

06/13/2008

219900

REF. NO.	PART NO.	DESCRIPTION	REF. NO.	PART NO.	DESCRIPTION	REF. NO.	PART NO.	DESCRIPTION
131A	698776	Kit-Throttle Shaft (Nikki)	192	691986	Adjuster-Rocker Arm	240A	691035	Filter-Fuel (Clear, 40 Microns)
133	494381	Float-Carburetor (Walbro)	202	691841	Link-Mechanical Governor			Used on Type No(s). 0110, 0114, 0118, 0127, 0134.
133A	694914	Float-Carburetor (Nikki)	209	692208	Spring-Governor (Green)	265	691024	Clamp-Casing
135A	698780	Tube-Fuel Transfer (Nikki)(Gravity Feed) Used on Type No(s). 0105, 0111, 0112, 0123, 0124, 0125, 0126, 0127, 0131, 0134, 0135, 0136, 0170, 0171, 0172.			Used on Type No(s). 0105, 0110, 0112, 0114, 0118, 0123, 0125.	267	794904	Screw (Casing Clamp)
		----- Note -----			----- Note -----	268	691025	Casing-Control Wire (Cut To Required Length)
		792022 Tube-Fuel Transfer (Nikki)(Pump Feed) Used on Type No(s). 0110, 0114, 0118.			792813 Spring-Governor (Brown) Used on Type No(s). 0124, 0127, 0131, 0134, 0135, 0136.	269	691026	Wire-Control (Cut To Required Length)
137	281165S	Gasket-Float Bowl (Walbro)			792602 Spring-Governor (Red) Used on Type No(s). 0111, 0170.	270	691027	Nut (Control Wire Casing)
137A	698781	Gasket-Float Bowl (Nikki)			691795 Spring-Governor (Yellow) Used on Type No(s). 0126, 0172.	271	691028	Lever-Control
141	790902	Kit-Choke Shaft (Walbro)			260902 Spring-Governor Used on Type No(s). 0171.	276	692255	Washer-Sealing
141A	698778	Kit-Choke Shaft (Nikki)	216	691840	Link-Choke	300G	794660	Muffler Used on Type No(s). 0114, 0124, 0127, 0134, 0135, 0136, 0171.
142	790025	Nozzle-Carburetor (Standard)(Walbro)	222	694042	Bracket-Control	304	698473	Housing-Blower (Black) Used on Type No(s). 0112, 0123, 0124, 0125, 0126, 0131, 0170, 0171, 0172.
143	790028	Nozzle-Carburetor (High Altitude)(Walbro)	227	691374	Lever-Governor Control			----- Note -----
146	691639	Key-Timing						699085 Housing-Blower (Red) Used on Type No(s). 0105, 0110, 0111, 0114, 0118, 0127, 0134, 0135, 0136.
186	794873	Connector-Hose	231	691636	Screw (Choke Valve)	305	697102	Screw (Blower Housing)(Hex Washer, Shoulder Head)
187	791805	Line-Fuel (Formed)(10-1/4 Inches Long)(Cut to Required Length)	232	691842	Spring-Governor Link	305A	793376	Screw (Blower Housing) (Shoulder Bolt)
187A	791806	Line-Fuel (Formed)(21 Inches Long)(Cut to Required Length)	238	691843	Cap-Valve			
187B	791766	Line-Fuel (15 Inches Long)(Cut To Required Length)	240	394358S	Filter-Fuel (White, 75 Microns) Used on Type No(s). 0105, 0111, 0112, 0123, 0124, 0125, 0126, 0131, 0135, 0136, 0170, 0171, 0172.			
187C	791745	Line-Fuel (23 Inches Long)(Cut To Required Length)						
188	691693	Screw (Control Bracket)						

★ Included in Engine Gasket Set-Ref. No. 358.

● Included in Carburetor Overhaul Kit-Ref. No. 121 or 121A.

◆ Included in Carburetor Gasket Set-Ref. No. 977 or 977A.

△ Included in Valve Gasket Set-Ref. No 1095.

Illustrations cover a range of engines. Parts shown without corresponding text may not be used on your specific engine.

5713-12

Assemblies include all parts shown in frames.

06/13/2008

REF. NO.	PART NO.	DESCRIPTION	REF. NO.	PART NO.	DESCRIPTION	REF. NO.	PART NO.	DESCRIPTION
306	697359	Shield-Cylinder	415	690293	Plug	507	691972	Insulator
307	691003	Screw (Cylinder Shield)	415A	794129	Plug (Cover/Retainer)	510	693699	Drive-Starter
309	693551	Motor-Starter Used on Type No(s). 0105, 0110, 0111, 0112, 0114, 0118, 0123, 0125, 0126, 0131, 0136, 0170, 0171, 0172.			(Used After Code Date 07040800).	513	692024	Clutch-Drive
310	690323	Screw (Starter Motor)	431	697122	Elbow-Intake	520	691084	Terminal-Ground
311	497608	Brush Set	445	698413	Filter-Air Cleaner Cartridge (Non Washable)	521	690581	Shield-Cable
333	795315	Armature-Magneto	455	695113	Cup-Flywheel	523	699908	Dipstick
334	691061	Screw (Magneto Armature)	456	695128	Plate-Pawl Friction	524	★691032	Seal-Dipstick Tube
337	491055S	Plug-Spark ----- Note ----- 691043 Plug-Spark Used on Type No(s). 0105, 0110, 0111, 0112, 0114, 0118, 0125, 0126, 0171. 792015 Plug-Spark Used on Type No(s). 0105, 0134.	459	281505S	Pawl-Ratchet	525	697184	Tube-Dipstick ----- Note ----- 697085 Tube-Dipstick Used on Type No(s). 0110, 0114, 0118, 0127, 0134, 0136.
356	697397	Wire-Stop ----- Note ----- 690807 Wire-Stop Used on Type No(s). 0170B1.	474A	696578	Alternator (DC Only) Used on Type No(s). 0110, 0118, 0171.	526A	697088	Screw (Regulator)(5 To 9 Amp Regulated)
356A	398808	Wire-Stop	474B	696459	Alternator (Dual Circuit) Used on Type No(s). 0105, 0114, 0123, 0125, 0126, 0131, 0170, 0172.	526B	697348	Screw
356B	697089	Wire-Stop	474C	696457	Alternator (5 To 9 Amp Regulated) Used on Type No(s). 0111, 0112, 0124, 0136.	527	792167	Clamp-Tube
357	691483	Key-Drive Pulley Used on Type No(s). 0171.	501A	794360	Regulator (5 To 9 Amp Regulated) Used on Type No(s). 0111, 0112, 0136.	544	692034	Armature-Starter
358	697151	Gasket Set-Engine	501B	698315	Regulator (9 Amp Regulated) Used on Type No(s). 0124.	552	697144	Bushing-Governor Crank
359	691077	Washer (Ground Terminal)	505	691251	Nut (Governor Control Lever)	562	691119	Bolt (Governor Control Lever)
363	19203	Puller-Flywheel				578	692306	Wire Assembly
373	691612	Nut (Ground Terminal)				579	691029	Nut (Starter Cable)
383	89838S	Wrench-Spark Plug				584	794682	Cover-Breather Passage (Use With Liquid Sealant Reference 850)
385	694476	Screw (Fuel Pump)				597	691696	Screw (Pawl Friction Plate)
385A	690297	Screw (Fuel Pump)				601	791850	Clamp-Hose
387	697090	Pump-Fuel (Includes Mounting Bracket) Used on Type No(s). 0110, 0114, 0118, 0127, 0134.				601A	691038	Clamp-Hose
387A	808656	Pump-Fuel				608	695058	Starter-Rewind
404	691691	Washer (Governor Crank)				613	691416	Screw (Muffler)
						613A	691678	Screw (Muffler)
						614	691620	Pin-Cotter
						616	692012	Crank-Governor
						617	★692138	Seal-O Ring (Intake Manifold)
						621	692310	Switch-Stop
						634	●690802	Spring/Seal Assembly (Walbro)
						634A	●698779	Spring/Seal Assembly (Nikki)
						635	691909	Boot-Spark Plug
						643	697155	Retainer-Air Filter
						654	690958	Nut (Carburetor)

★ Included in Engine Gasket Set-Ref. No. 358.

● Included in Carburetor Overhaul Kit-Ref. No. 121 or 121A.

◆ Included in Carburetor Gasket Set-Ref. No. 977 or 977A.

△ Included in Valve Gasket Set-Ref. No 1095.

Illustrations cover a range of engines. Parts shown without corresponding text may not be used on your specific engine.

5713-13

Assemblies include all parts shown in frames.

06/13/2008

219900

REF. NO.	PART NO.	DESCRIPTION	REF. NO.	PART NO.	DESCRIPTION	REF. NO.	PART NO.	DESCRIPTION
676	393761	Deflector-Muffler (Side Out) Used on Type No(s). 0127, 0134, 0135, 0136, 0171.	847	790442	Dipstick/Tube Assembly ----- Note ----- 790443 Dipstick/Tube Assembly Used on Type No(s). 0110, 0114, 0118, 0127, 0134, 0136.	972	792168	Tank-Fuel (Plastic) Used on Type No(s). 0114, 0127, 0134, 0136.
677	690661	Screw (Muffler Deflector)	850	100100	Sealant-Liquid (Rocker Cover Gasket and Breather Gasket) (Used After Code Date 07071800).	975	495933	Bowl-Float (Walbro)
689	691855	Spring-Friction	851	692424	Terminal-Spark Plug	975A	698783	Bowl-Float (Nikki)
691	★692407	Seal-Governor Shaft	864	697346	Adapter-Muffler Used on Type No(s). 0114, 0124, 0127, 0134, 0135, 0136, 0171.	977	690192	Gasket Set-Carburetor (Walbro)
697	690372	Screw (Drive Cap)	868	★Δ690968	Seal-Valve	977A	790032	Gasket Set-Carburetor (Nikki)
705	790561	Nut (Fuel Tank)	877	393456	Wire/Connector-Alternator (Dual Circuit)	987	●691326	Seal-Throttle Shaft (Walbro)
718	690959	Pin-Locating	877A	393814	Wire/Connector-Alternator (DC Only)	987A	●698777	Seal-Throttle Shaft (Nikki)
729	691335	Clip-Wire (Wire Retainer)	877B	393537	Wire/Connector-Alternator (5 To 9 Amp Regulated)	1005	794439	Fan-Flywheel (Used After Code Date 07040800).
729A	691224	Clip-Wire (Starter Motor)	878	398661	Harness-Alternator	1005A	794440	Fan-Flywheel (Used Before Code Date 07040900).
729B	694123	Clip-Wire	883	★692236	Gasket-Exhaust	1005B		Fan-Flywheel (No Longer Available) (See Reference 1005A For Service Flywheel Fan).
741	697128	Gear-Timing	914	691108	Screw (Rocker Cover)	1022★Δ272475S		Gasket-Rocker Cover (Used Before Code Date 07091000). (After Date Code Use liquid Sealant Reference 850)
757	793242	Link-Counterweight	918	791851	Hose-Vacuum (Molded)	1023	791079	Cover-Rocker
758	697391	Counterweight (Used After Code Date 05100200). ----- Note ----- 795940 Counterweight (Used Before Code Date 05100300). Must Use Kit 795940, Includes Sump And Counterweight.	950	691657	Screw-Float Bowl (Bottom Of Bowl)	1026	697395	Rod-Push (Exhaust) ----- Note ----- 697394 Rod-Push (Intake)
759	697392	Pin-Counterweight	957	792647	Cap-Fuel Tank (Plastic)	1029	691751	Arm-Rocker
783	693713	Gear-Pinion	958	698183	Valve-Fuel Shut Off (Plastic) Used on Type No(s). 0112, 0127.	1034	690822	Guide-Push Rod
789	698329	Harness-Wiring	967	697292	Filter-Pre Cleaner	1036		Label-Emissions (Available From A Briggs & Stratton Authorized Dealer)
789A	790544	Harness-Wiring	968	697420	Cover-Air Cleaner (Black) ----- Note ----- 697422 Cover-Air Cleaner (Red)			
797	693167	Nut (Brush Retainer)						
801	691283	Cap-Drive						
802	691286	Cap-End						
803		Housing-Starter (Not Serviced Separately, Order Starter Motor 693551)						
823	698941	Screw (Muffler Adapter)						
830	691095	Stud-Rocker Arm						
832	790293	Guard-Muffler						
836	690367	Screw (Muffler Guard)						
842	★691031	Seal-O Ring (Dipstick Tube)						

★ Included in Engine Gasket Set-Ref. No. 358.

● Included in Carburetor Overhaul Kit-Ref. No. 121 or 121A.

◆ Included in Carburetor Gasket Set-Ref. No. 977 or 977A.

Δ Included in Valve Gasket Set-Ref. No. 1095.

Illustrations cover a range of engines. Parts shown without corresponding text may not be used on your specific engine.

5713-14

Assemblies include all parts shown in frames.

06/13/2008

REF. NO.	PART NO.	DESCRIPTION	REF. NO.	PART NO.	DESCRIPTION	REF. NO.	PART NO.	DESCRIPTION
1040	698368	Plate-Trim Used on Type No(s). 0110, 0111, 0112, 0114, 0118, 0170, 0171.	1070	690372	Screw (Flywheel Fan) (Used Before Code Date 07040900).	1263	697124	Reed-Breather
1040A	697381	Plate-Trim Used on Type No(s). 0105, 0136.	1070A	690363	Screw (Flywheel Fan) (Used After Code Date 07040800).	1264	697104	Screw (Breather Reed)
1044	698139	Screw (Flywheel)	1090	691293	Retainer-Brush	1266	★●691917	Seal-O Ring (Intake Elbow)
1051	691265	Ring-Retaining	1091	691333	Cap-Limiter	1266A	★●697123	Seal-O Ring (Intake Elbow)
1054	280275	Tie-Cable	1095	691581	Gasket Set-Valve	1267	697419	Latch-Blower Housing (Black)
1058	276344	Operator's Manual	1119	691183	Screw (Alternator)	----- Note -----		
1059	698516	Kit-Screw/Washer	1127	695407	Screw (Float Bowl)	697424		Latch-Blower Housing (Red)
						1270	793243	Plug-AVS Counterweight
						1319	794467	Label-Warning

★ Included in Engine Gasket Set-Ref. No. 358.

● Included in Carburetor Overhaul Kit-Ref. No. 121 or 121A.

◆ Included in Carburetor Gasket Set-Ref. No. 977 or 977A.

△ Included in Valve Gasket Set-Ref. No 1095.

Illustrations cover a range of engines. Parts shown without corresponding text may not be used on your specific engine.

5713-15

Assemblies include all parts shown in frames.

06/13/2008

Free Manuals Download Website

<http://myh66.com>

<http://usermanuals.us>

<http://www.somanuals.com>

<http://www.4manuals.cc>

<http://www.manual-lib.com>

<http://www.404manual.com>

<http://www.luxmanual.com>

<http://aubethermostatmanual.com>

Golf course search by state

<http://golfingnear.com>

Email search by domain

<http://emailbydomain.com>

Auto manuals search

<http://auto.somanuals.com>

TV manuals search

<http://tv.somanuals.com>