



# Illustrated Parts List

## Model Series

# 31F700

TYPE NUMBERS  
0110 through 0403.

### TABLE OF CONTENTS

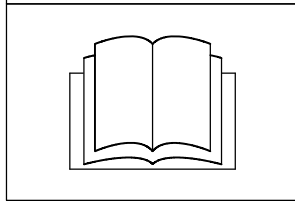
<b>Air Cleaner</b> .....	5
<b>Alternator</b> .....	8
<b>Blower Housing</b> .....	6
<b>Camshaft</b> .....	2
<b>Carburetor</b> .....	4, 5
<b>Controls</b> .....	8
<b>Crankshaft</b> .....	2
<b>Cylinder</b> .....	2
<b>Cylinder Head</b> .....	3
<b>Electric Starter</b> .....	8
<b>Engine Sump</b> .....	2
<b>Exhaust System</b> .....	6
<b>Flywheel</b> .....	7
<b>Fuel Supply</b> .....	5
<b>Gasket Set - Engine</b> .....	2
<b>Gasket Set - Valve</b> .....	3
<b>Governor Spring</b> .....	8
<b>Ignition</b> .....	8
<b>Intake Manifold</b> .....	3
<b>Kit - Carburetor Overhaul</b> .....	4
<b>Lubrication</b> .....	3
<b>Operator's Manual</b> .....	2
<b>Piston, Rings, Connecting Rod</b> .....	2
<b>Rewind Starter</b> .....	7
<b>Valves</b> .....	3
<b>Warning Label</b> .....	2



PRINTED IN U.S.A.

COPYRIGHT by BRIGGS & STRATTON CORPORATION  
All rights reserved. No part of this material may be reproduced or transmitted, in any form or by any means, electronic or mechanical, including photocopying, recording or by any information storage and retrieval system, without permission in writing from Briggs & Stratton Corporation.

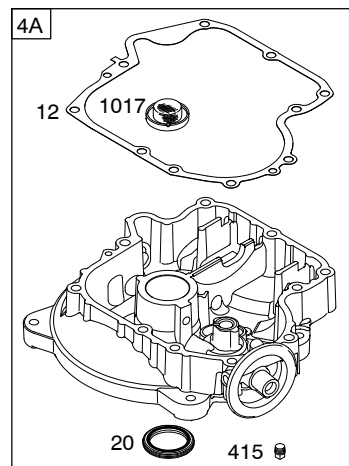
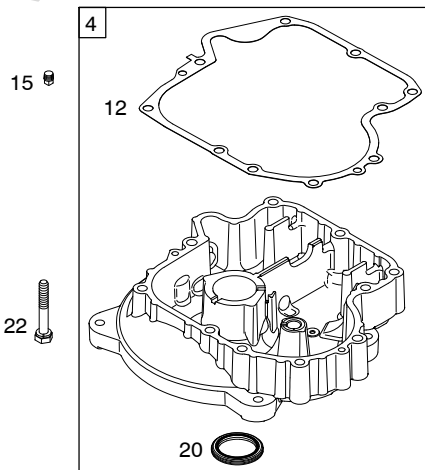
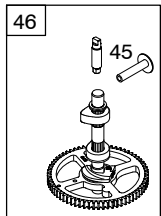
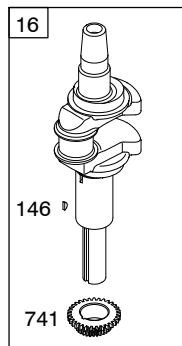
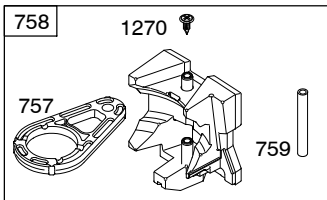
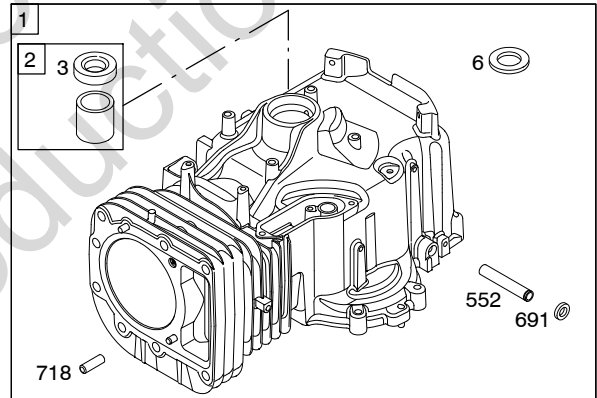
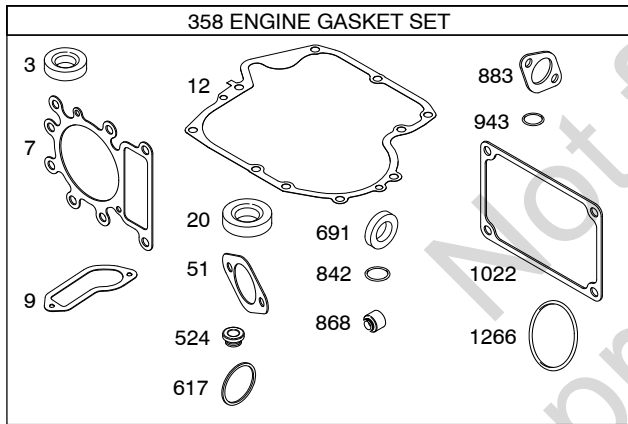
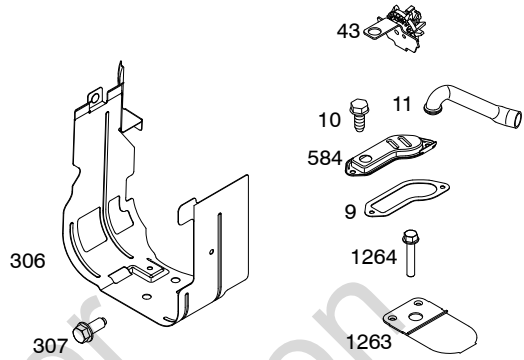
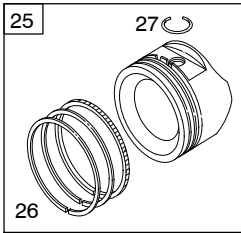
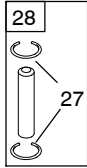
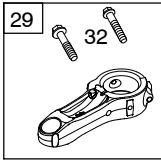
1058 OPERATOR'S MANUAL



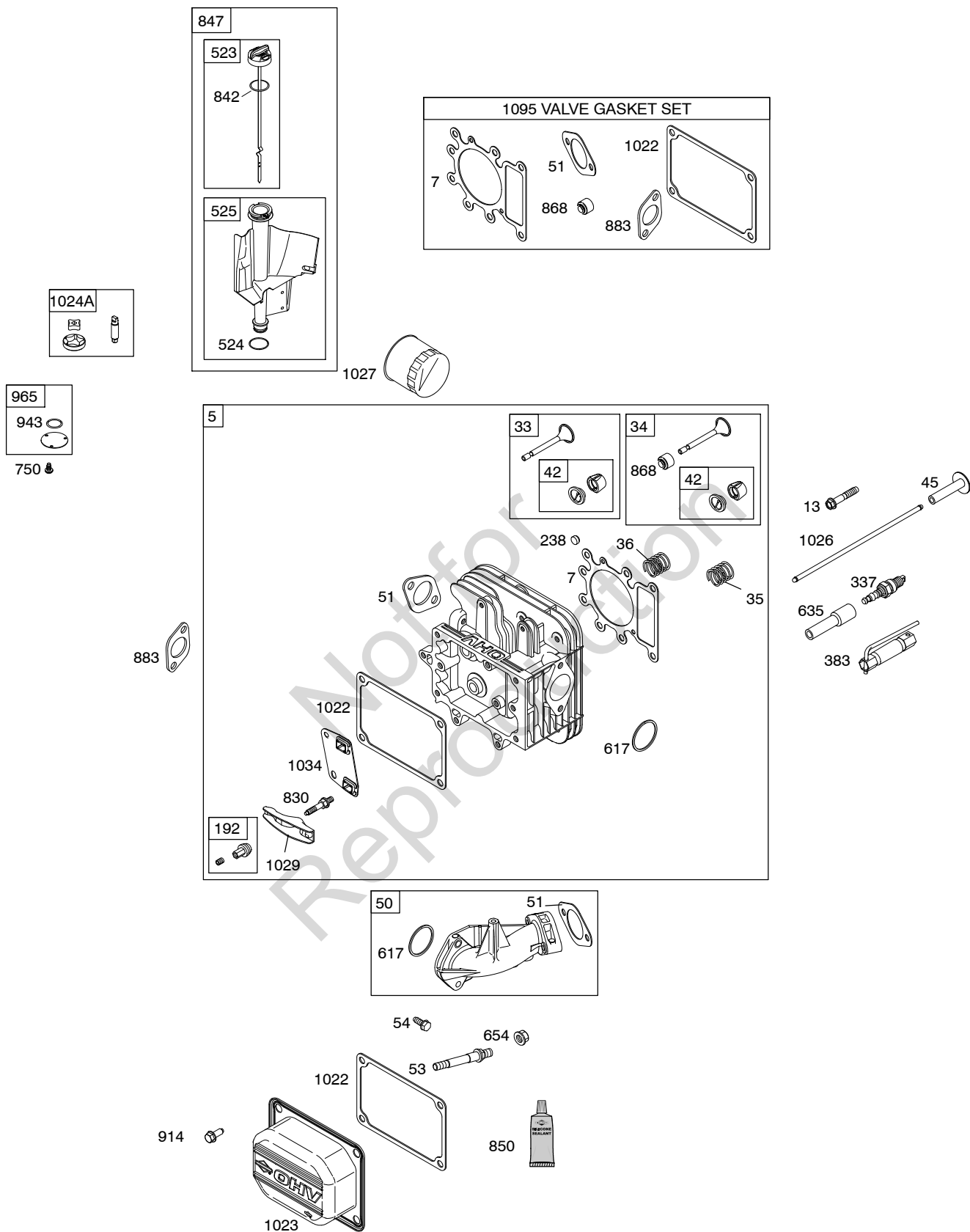
1319 WARNING LABEL

<b>WARNING</b>	
	Read and follow Operating Instructions before running engine.
	Gasoline is flammable. Allow engine to cool at least 2 minutes before refueling.
	Engines emit carbon monoxide, DO NOT run in enclosed area.
	Muffler area temperature may exceed 150°F. Do not touch hot parts.

**REQUIRED** when replacing parts with warning labels affixed.

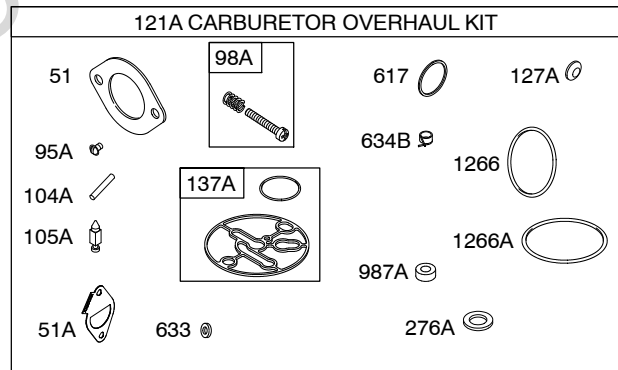
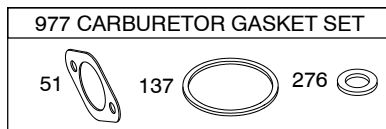
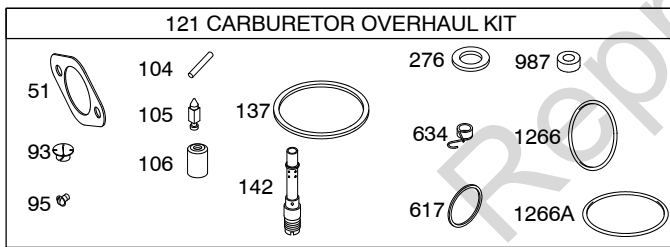
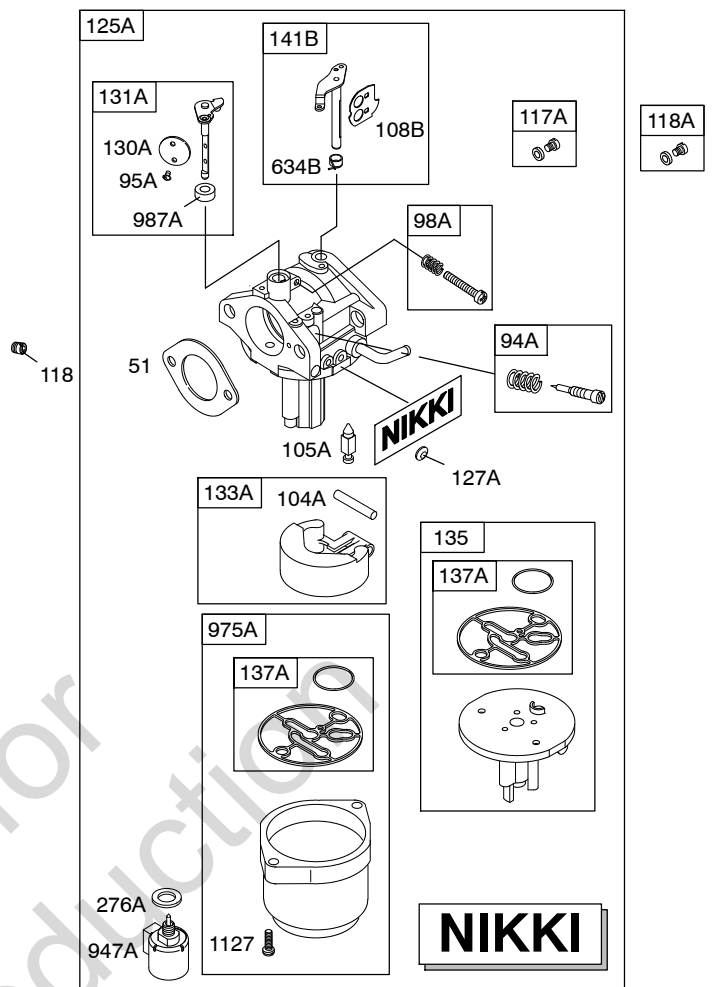
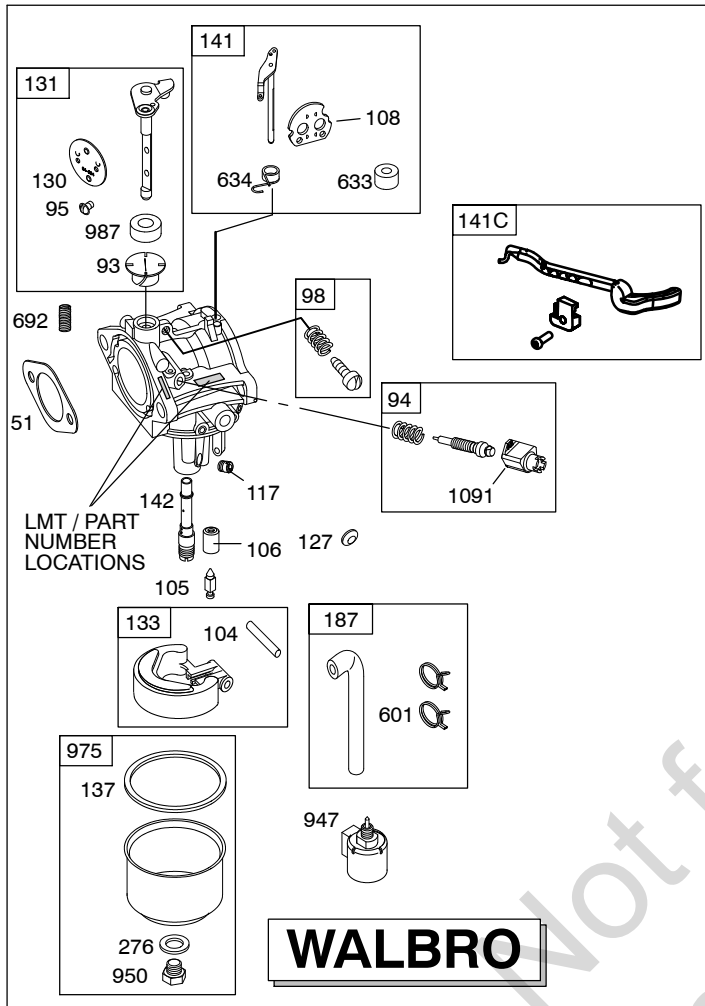


Illustrations cover a range of engines. Parts shown without corresponding text may not be used on your specific engine. 5035-2 Assemblies include all parts shown in frames. 09/29/2008

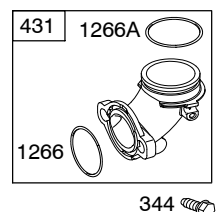
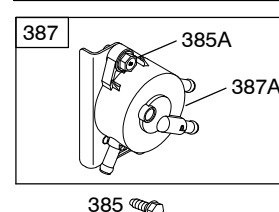
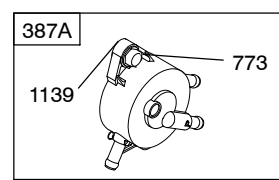
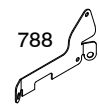
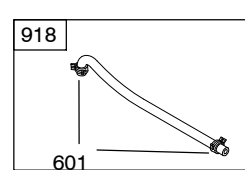
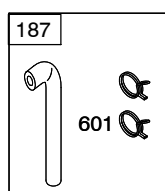
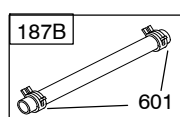
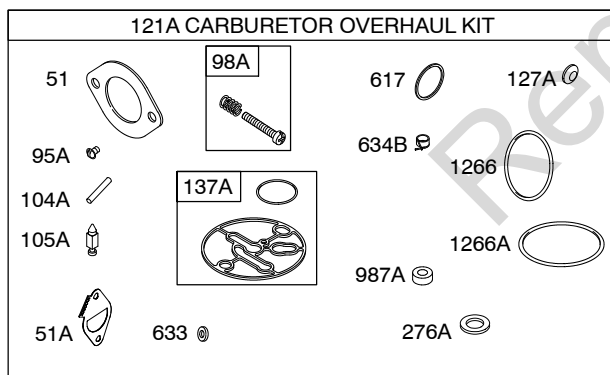
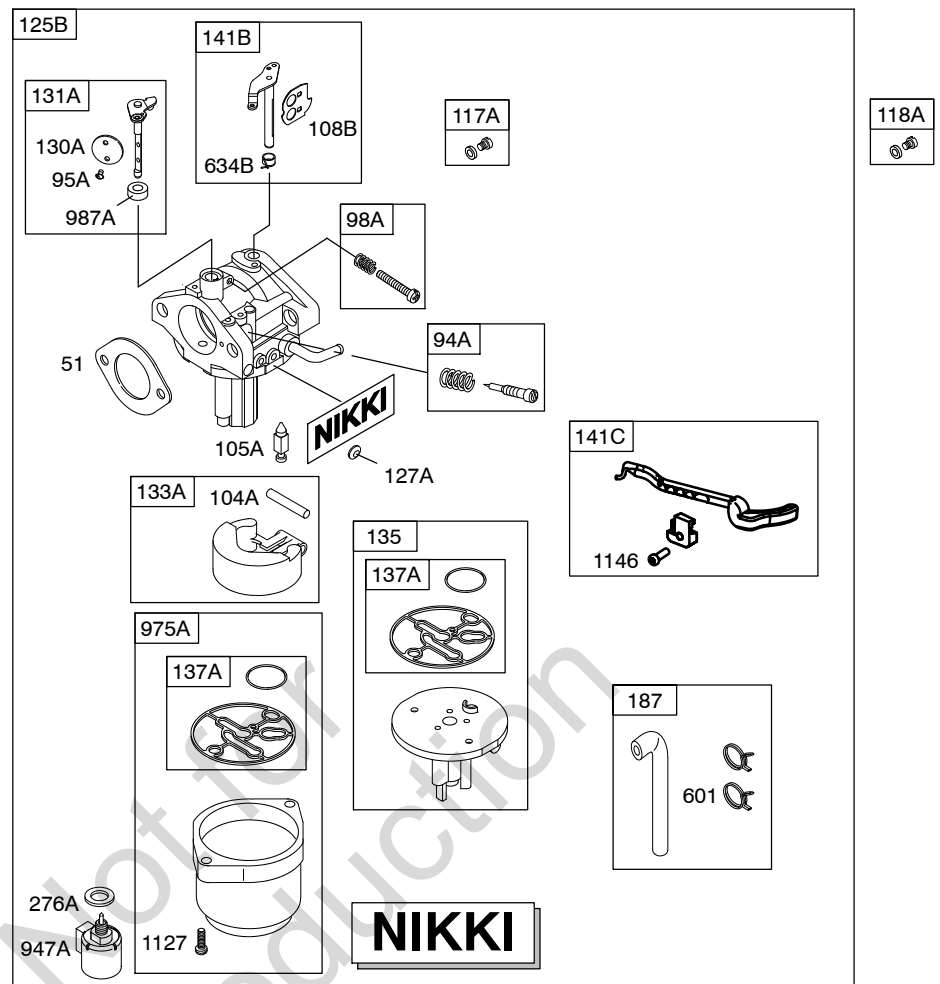


Illustrations cover a range of engines. Parts shown without corresponding text may not be used on your specific engine.

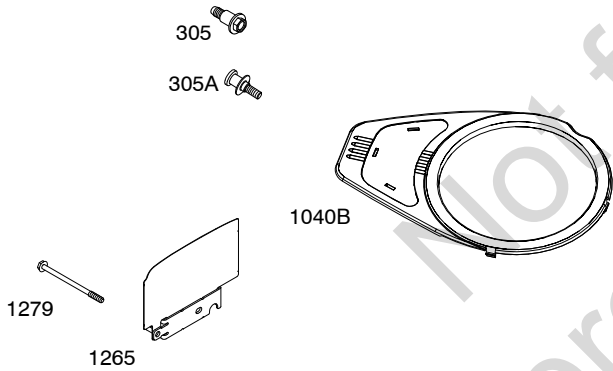
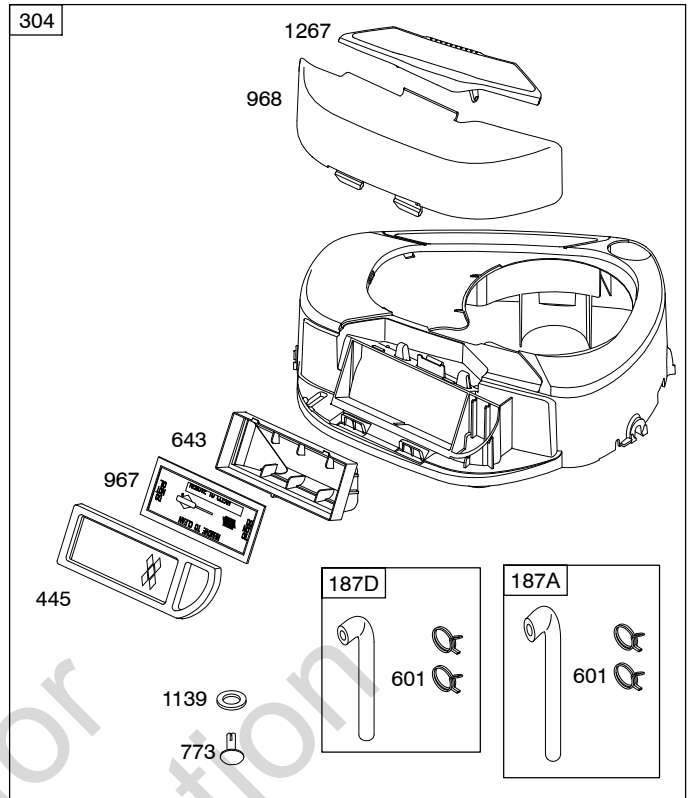
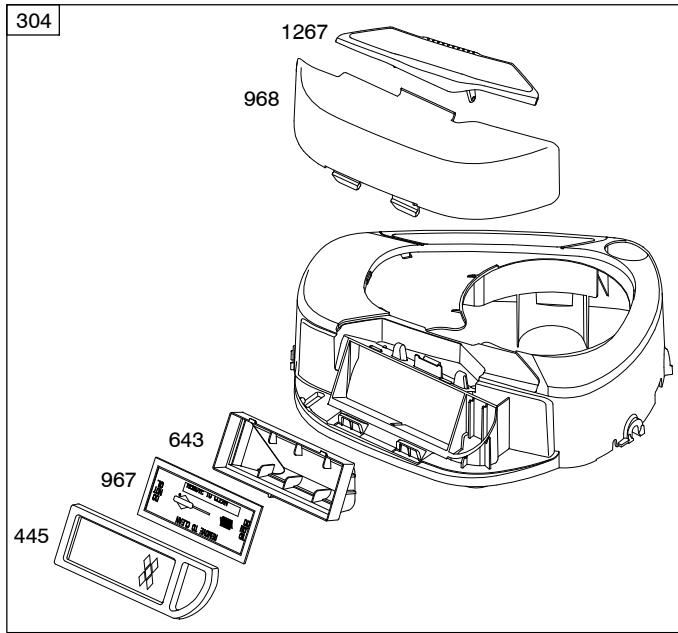
# 31F700



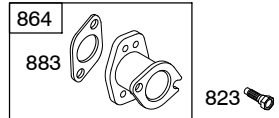
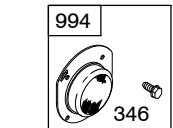
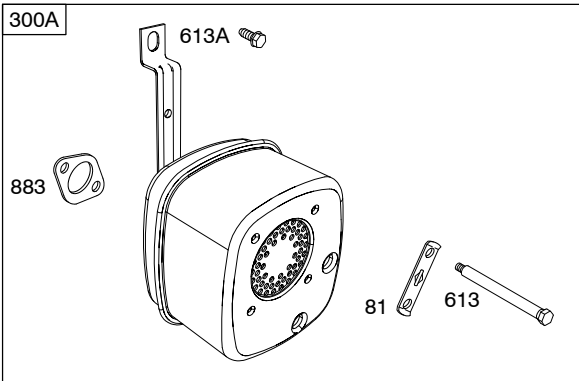
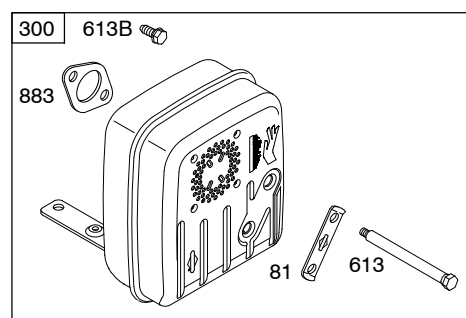
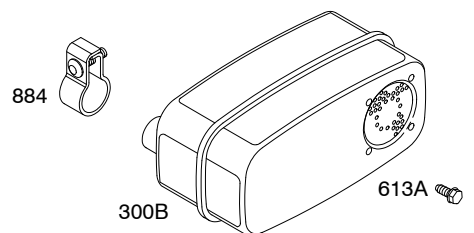
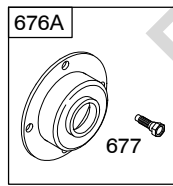
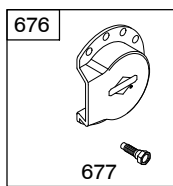
Illustrations cover a range of engines. Parts shown without corresponding text may not be used on your specific engine.  
 5035-4 Assemblies include all parts shown in frames. 09/29/2008



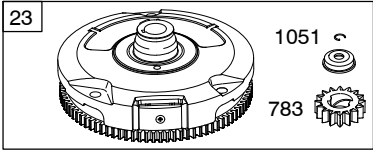
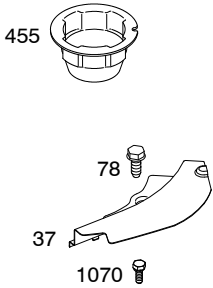
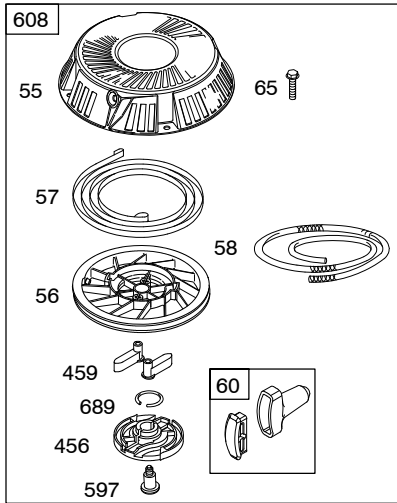
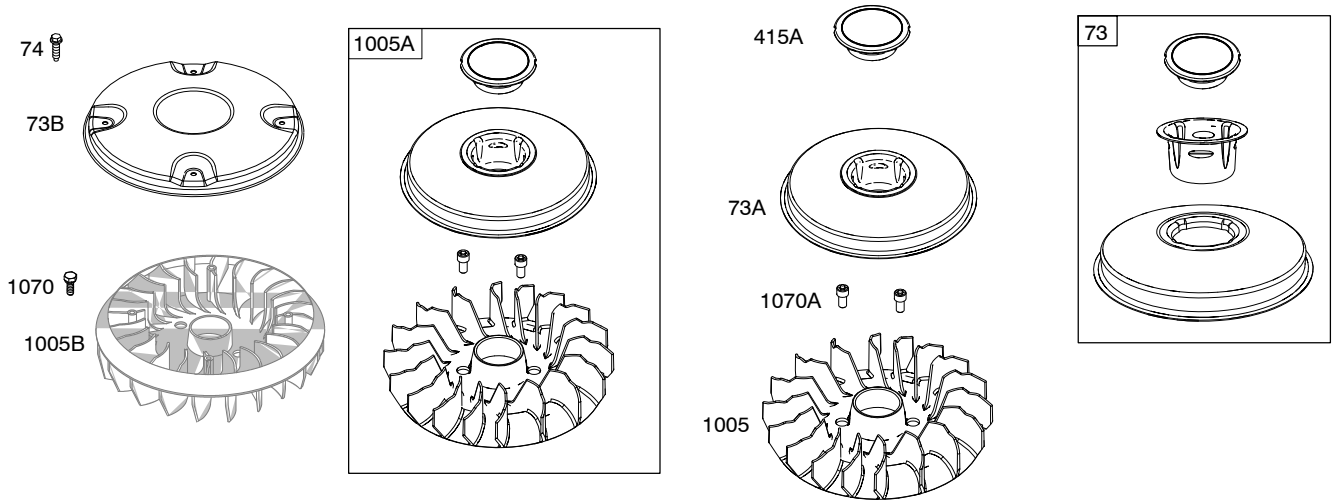
# 31F700



1036 EMISSIONS LABEL




Illustrations cover a range of engines. Parts shown without corresponding text may not be used on your specific engine.  
 5035-6 Assemblies include all parts shown in frames. 09/29/2008



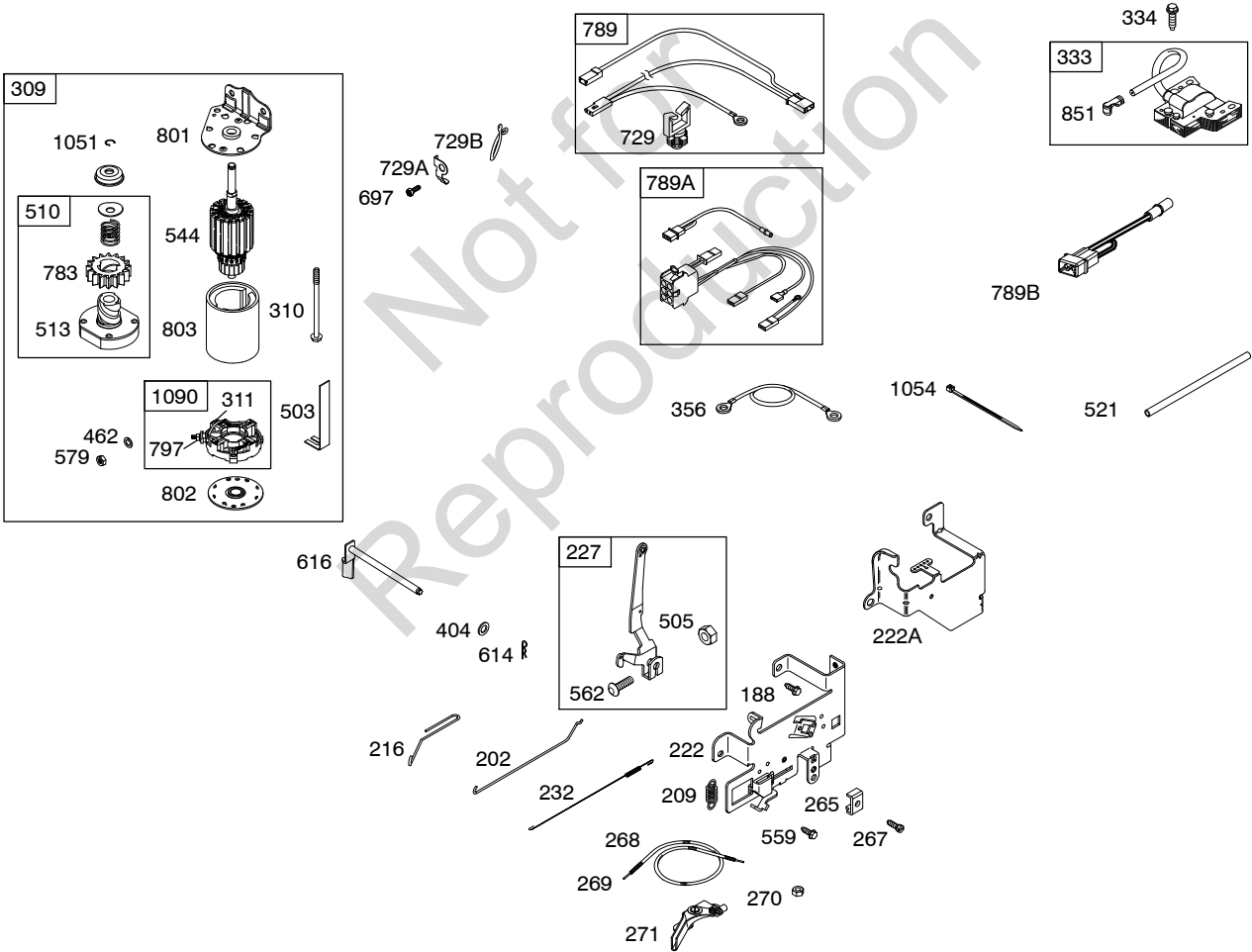
Not for  
Reproduction

# 31F700

DUAL CIRCUIT		TRI CIRCUIT		10 AMP	
474B	1059	474C		474D	1059
877		877B	1059	877C	
878	878A	5/9 AMP REGULATED	501A	578	10/16 AMP REGULATED
		526			526
					501

**NOTE:** All stators use a No. 1119 mounting screw. 

**NOTE:** The proper flywheel part number and/or the alternator magnet size will determine the alternator type or output. See repair instruction manual for additional information.



Illustrations cover a range of engines. Parts shown without corresponding text may not be used on your specific engine. Assemblies include all parts shown in frames.



REF. NO.	PART NO.	DESCRIPTION	REF. NO.	PART NO.	DESCRIPTION	REF. NO.	PART NO.	DESCRIPTION
1	793987	Cylinder Assembly	11	794683	Tube-Breather (Used After Code Date 07071800).	23	693556	Flywheel Used on Type No(s). 0110, 0111, 0112, 0113, 0114, 0124, 0125, 0126, 0130, 0131, 0136, 0161, 0162, 0318, 0403.
2	399265	Kit-Bushing/Seal (Magneto Side)			----- <b>Note</b> ----- <b>697113</b> Tube-Breather (Used Before Code Date 07071900).			----- <b>Note</b> ----- <b>693557</b> Flywheel Used on Type No(s). 0115, 0116, 0123, 0284, 0317.
3	★391086s	Seal-Oil (Magneto Side)	12	★697110	Gasket-Crankcase (.015" Thick) (Standard)			<b>698282</b> Flywheel Used on Type No(s). 0129, 0132.
4	697106	Sump-Engine (Used After Code Date 05100200). ----- <b>Note</b> ----- <b>795903</b> Sump-Engine (Used Before Code Date 05100300). (Must Use Kit 795903, Includes Sump And Counterweight).	13	792988	Screw (Cylinder Head) (Used After Code Date 07010900). ----- <b>Note</b> ----- <b>690360</b> Screw (Used Before Code Date 07011000).	24	222698s	Key-Flywheel
4A	697188	Sump-Engine (Used After Code Date 05100200). Used on Type No(s). 0110, 0111, 0113, 0115, 0116, 0123, 0124, 0125, 0126, 0131, 0136, 0161, 0162, 0284, 0317, 0318, 0403. ----- <b>Note</b> ----- <b>795938</b> Sump-Engine (Used Before Code Date 05100300). Used on Type No(s). 0110, 0111, 0113, 0115, 0116, 0123, 0124, 0125, 0126, 0131, 0136, 0161, 0162, 0284, 0317, 0318, 0403. (Must Use Kit 795938, Includes Sump And Counterweight).	15	690946	Plug-Oil Drain (Square Head) ----- <b>Note</b> ----- <b>691680</b> Plug-Oil Drain (Square Socket) Used on Type No(s). 0318, 0403.	25	796172	Piston Assembly (Standard) (Used After Code Date 08042700). ----- <b>Note</b> ----- <b>791937</b> Piston Assembly (Standard) (Used Before Code Date 08042800). <b>796173</b> Piston Assembly (.020" Oversize) (Used After Code Date 08042700). <b>793019</b> Piston Assembly (.020" Oversize) (Used Before Code Date 08042800).
5	★796025	Head-Cylinder (Used After Code Date 08042700). ----- <b>Note</b> ----- <b>793991</b> Head-Cylinder (Used Before Code Date 08042800).	16	697127	Crankshaft Used on Type No(s). 0112, 0113, 0114, 0123, 0126, 0129, 0130, 0131, 0132, 0161, 0162, 0284, 0317, 0318, 0403. ----- <b>Note</b> ----- <b>793410</b> Crankshaft Used on Type No(s). 0110, 0111, 0115, 0124, 0125. <b>699106</b> Crankshaft Used on Type No(s). 0116.	26	791936	Ring Set (Standard) ----- <b>Note</b> ----- <b>792649</b> Ring Set (.020" Oversize)
6	690310	Washer (Used After Code Date 07070900).	20	★795387	Seal-Oil (PTO Side)			
7	★△794114	Gasket-Cylinder Head	22	692125	Screw (Crankcase Cover/Sump)			
10	697157	Screw (Breather Assembly)						

★ Included in Engine Gasket Set-Ref. No.358.

● Included in Carburetor Overhaul Kit-Ref. No. 121 or 121A.

◆ Included in Carburetor Gasket Set-Ref. No. 977.

△ Included in Valve Gasket Set-Ref. No 1095.

**Illustrations cover a range of engines. Parts shown without corresponding text may not be used on your specific engine.**

5035-9

Assemblies include all parts shown in frames.

09/29/2008

# 31F700

REF. NO.	PART NO.	DESCRIPTION	REF. NO.	PART NO.	DESCRIPTION	REF. NO.	PART NO.	DESCRIPTION
28	796007	Pin-Piston (Standard) (Used After Code Date 08042700). ----- Note ----- 697099 Pin-Piston (Standard) (Used Before Code Date 08042800).	58	695132	Rope-Starter Used on Type No(s). 0115.	98	495800	Kit-Idle Speed
27	698469	Lock-Piston Pin	60	493926	Grip-Starter Rope Used on Type No(s). 0115.	98A	695408	Kit-Idle Speed
29	794122	Rod-Connecting (Standard) Used on Type No(s). 0112, 0113, 0114, 0116, 0123, 0126, 0129, 0130, 0131, 0132, 0136, 0161, 0162, 0284, 0317, 0318, 0403. ----- Note ----- 794571 Rod- Connecting (Standard) Used on Type No(s). 0110, 0111, 0115, 0124, 0125.	65	690759	Screw (Rewind Starter) (Used After Code Date 07040800). Used on Type No(s). 0115. ----- Note ----- 697725 Screw (Rewind Starter) (Used Before Code Date 07040900). Used on Type No(s). 0115.	104	690525	Pin-Float Hinge
32	791118	Screw (Connecting Rod)	73	796308	Screen-Rotating (Used After Code Date 08082600).	104A	694918	Pin-Float Hinge
33	791934	Valve-Exhaust	73A	794437	Screen-Rotating (Used Before Code Date 08082700 and After Code Date 07040800).	105	231855s	Valve-Float Needle
34	791935	Valve-Intake	73B		Screen-Rotating (Used Before Code Date 07040900).	105A	696136	Valve-Float Needle
35	691279	Spring-Valve (Intake)	74	697897	Screw (Rotating Screen) (Used Before Code Date 07040900).	106	690577	Seat-Inlet (Gravity Feed) ----- Note ----- 691780 Seat-Inlet (Pump Feed)
36	691279	Spring-Valve (Exhaust)	78	691003	Screw (Flywheel Guard)	108	692344	Valve-Choke
37	697352	Guard-Flywheel	81	691178	Lock-Muffler Screw	108B	695419	Valve-Choke
42	499586	Keeper-Valve	93	690602	Bushing-Throttle Shaft	117	694352	Jet-Main (Standard)
43	691968	Slinger-Governor/Oil	94	498030	Kit-Idle Mixture	117A	792296	Jet-Main (Standard)(Carburetor Part No. 791722 and 792060) ----- Note ----- 699457 Jet-Main (Standard)(Carburetor Part No. 697203) 843099 Jet-Main (Standard) (Used After Code Date 08051300). Used on Type No(s). 0115, 0162, 0284, 0317.
45	690564	Tappet-Valve	94A	793610	Kit-Idle Mixture			792296 Jet-Main (Standard) (Used Before Code Date 08051400). Used on Type No(s). 0115, 0162, 0284, 0317.
46	793880	Camshaft	95	691636	Screw (Throttle Valve)	118	697228	Jet-Main (High Altitude)
50	690193	Manifold-Intake	95A	690718	Screw (Throttle Valve)			
51★△◆692137		Gasket-Intake						
51A◆692137		Gasket-Intake						
53	690227	Stud (Carburetor)						
54	691148	Screw (Intake Manifold)						
55	695130	Housing-Rewind Starter Used on Type No(s). 0115.						
56	695129	Pulley-Starter Used on Type No(s). 0115.						
57	695131	Spring-Rewind Starter Used on Type No(s). 0115.						

★ Included in Engine Gasket Set-Ref. No.358.

◆ Included in Carburetor Overhaul Kit-Ref. No. 121 or 121A.

◆ Included in Carburetor Gasket Set-Ref. No. 977.

△ Included in Valve Gasket Set-Ref. No 1095.

**Illustrations cover a range of engines. Parts shown without corresponding text may not be used on your specific engine.**

5035-10

Assemblies include all parts shown in frames.

09/29/2008

REF. NO.	PART NO.	DESCRIPTION	REF. NO.	PART NO.	DESCRIPTION	REF. NO.	PART NO.	DESCRIPTION
118A	843099	Jet-Main (High Altitude) (Carburetor Part No. 791722 and 792060) ----- <b>Note</b> ----- 699458 Jet-Main (High Altitude) (Carburetor Part No. 697203) 790890 Jet-Main (High Altitude) (Used After Code Date 08051300). Used on Type No(s). 0115, 0162, 0284, 0317. 843099 Jet-Main (High Altitude) (Used Before Code Date 08051400). Used on Type No(s). 0115, 0162, 0284, 0317.	127A	●690727	Plug-Welch	192	691986	Adjuster-Rocker Arm
			130	691750	Valve-Throttle	202	691841	Link-Mechanical Governor
			130A	699500	Valve-Throttle	209	692208	Spring-Governor (Green) ----- <b>Note</b> ----- 792602 Spring-Governor (Red) Used on Type No(s). 0115, 0126, 0131, 0136. 690576 Spring-Governor (Gold) Used on Type No(s). 0114. 691795 Spring-Governor (Yellow) Used on Type No(s). 0130. 260902 Spring-Governor (Green) Used on Type No(s). 0317.
			131	790901	Kit-Throttle Shaft			
			131A	699501	Kit-Throttle Shaft			
			133	494381	Float-Carburetor			
			133A	694914	Float-Carburetor			
			135	698780	Tube-Fuel Transfer			
			137	◆281165s	Gasket-Float Bowl			
			137A	●698781	Gasket-Float Bowl			
			141A	790902	Kit-Choke Shaft ----- <b>Note</b> ----- 699112 Kit-Choke Shaft Used on Type No(s). 0116.			
			141B	695420	Kit-Choke Shaft			
			141C	793386	Kit-Choke Shaft (Manual Choke)			
			142	●697140	Nozzle-Carburetor (Standard)			
			146	691639	Key-Timing			
			187	791805	Line-Fuel (Formed)(10-1/4 Inches Long)(Cut to Required Length)			
121	697241	Kit-Carburetor Overhaul (Walbro Carburetor)	187A	791806	Line-Fuel (Formed)(21 Inches Long)(Cut to Required Length)	216	691840	Link-Choke
121A	699521	Kit-Carburetor Overhaul (Nikki Carburetor)	187B	791766	Line-Fuel (Cut To Required Length)	222	694042	Bracket-Control
125A	792358	Carburetor (Nikki)(Gravity Feed) ----- <b>Note</b> ----- 796109 Carburetor (Nikki Carburetor) (Used After Code Date 08051300). Used on Type No(s). 0115, 0162, 0284, 0317. 792358 Carburetor (Nikki Carburetor) (Used Before Code Date 08051400). Used on Type No(s). 0115, 0162, 0284, 0317.	187D	791744	Line-Fuel (Formed)(14 Inches Long)(Cut to Required Length)	222A	694335	Bracket-Control Used on Type No(s). 0116.
			188	691693	Screw (Control Bracket)	227	691374	Lever-Governor Control (Standard) ----- <b>Note</b> ----- 694339 Lever-Governor Control Used on Type No(s). 0116.
125B	794572	Carburetor (Nikki)(Gravity Feed)(Manual Choke)				232	691842	Spring-Governor Link
127	695005	Plug-Welch ----- <b>Note</b> ----- 694524 Plug-Welch Used on Type No(s). 0116.				238	691843	Cap-Valve
						239	491657s	Switch-Oil Pressure Used on Type No(s). 0126, 0318.
						240	394358s	Filter-Fuel (White, 75 Microns) Used on Type No(s). 0110, 0115, 0123, 0162, 0284, 0317.

★ Included in Engine Gasket Set-Ref. No.358.

● Included in Carburetor Overhaul Kit-Ref. No. 121 or 121A.

◆ Included in Carburetor Gasket Set-Ref. No. 977.

△ Included in Valve Gasket Set-Ref. No 1095.

**Illustrations cover a range of engines. Parts shown without corresponding text may not be used on your specific engine.**

5035-11

Assemblies include all parts shown in frames.

09/29/2008

# 31F700

REF. NO.	PART NO.	DESCRIPTION	REF. NO.	PART NO.	DESCRIPTION	REF. NO.	PART NO.	DESCRIPTION
240A	691035	Filter-Fuel (Includes Paper Element With A 40 Micron Rating) Used on Type No(s). 0111, 0112, 0113, 0114, 0116, 0124, 0125, 0126, 0129, 0130, 0131, 0132, 0136, 0161, 0318, 0403.	304	796416	Housing-Blower (Black) (Used After Code Date 08082400). ----- Note ----- 698599 Housing-Blower (Black) (Used Before Code Date 08082500). 790929 Housing-Blower (Red) (Used Before Code Date 08082500).	337	491055s	Plug-Spark Used on Type No(s). 0112, 0113, 0116, 0126, 0129. ----- Note ----- 691043 Plug-Spark Used on Type No(s). 0110, 0111, 0114, 0115, 0123, 0124, 0125, 0130, 0131, 0136, 0161, 0162, 0284, 0317, 0318, 0403.
265	691024	Clamp-Casing	305	697102	Screw (Blower Housing)	344	693675	Screw (Cable Clamp)
267	794904	Screw (Casing Clamp)	305A	697103	Screw (Blower Housing)	346	690661	Screw (Spark Arrestor) Used on Type No(s). 0116.
268	691025	Casing-Control Wire (Cut To Required Length)	306	796006	Shield-Cylinder (Used After Code Date 08042700). ----- Note ----- 697107 Shield-Cylinder (Used Before Code Date 08042800).	356	697089	Wire-Stop
269	691026	Wire-Control (Cut To Required Length)	307	691108	Screw (Cylinder Shield)	358	697191	Gasket Set-Engine
270	691027	Nut (Control Wire Casing)	309	693551	Motor-Starter	363	19203	Puller-Flywheel
271	691028	Lever-Control	310	690323	Screw (Starter Motor)	383	89838s	Wrench-Spark Plug
276	692255	Washer-Sealing	311	497608	Brush Set	385	694476	Screw (Fuel Pump)
276A	695410	Washer-Sealing	333	795315	Armature-Magneto (Used After Code Date 07100200). ----- Note ----- 492341 Armature-Magneto (Used Before Code Date 07100300).	385A	690297	Screw (Fuel Pump)
300	795997	Muffler (Used After Code Date 08042700). Used on Type No(s). 0116, 0126, 0161. ----- Note ----- 697349 Muffler (Used Before Code Date 08042800). Used on Type No(s). 0116, 0126, 0161.	334	691061	Screw (Magneto Armature)	387	697090	Pump-Fuel (Includes Mounting Bracket) (Used Before Code Date 08082500).
300A	795998	Muffler (Used After Code Date 08042700). Used on Type No(s). 0136. ----- Note ----- 698356 Muffler (Used Before Code Date 08042800). Used on Type No(s). 0136.				387A	808656	Pump-Fuel (Used After Code Date 08082400).
300B	498984s	Muffler Used on Type No(s). 0131.				404	691691	Washer (Governor Crank)
						415	794903	Plug (Sump)
						415A	794129	Plug (Cover/Retainer) (Used After Code Date 07040800).

★ Included in Engine Gasket Set-Ref. No.358.

● Included in Carburetor Overhaul Kit-Ref. No. 121 or 121A.

◆ Included in Carburetor Gasket Set-Ref. No. 977.

△ Included in Valve Gasket Set-Ref. No 1095.

**Illustrations cover a range of engines. Parts shown without corresponding text may not be used on your specific engine.**

5035-12

Assemblies include all parts shown in frames.

09/29/2008

REF. NO.	PART NO.	DESCRIPTION	REF. NO.	PART NO.	DESCRIPTION	REF. NO.	PART NO.	DESCRIPTION
431	697122	Elbow-Intake	510	693699	Drive-Starter	562	691119	Bolt
445	698083	Filter-Air Cleaner Cartridge (Non Washable)	513	692024	Clutch-Drive			(Governor Control Lever)
455	695113	Cup-Flywheel Used on Type No(s). 0115.	521	690581	Shield-Cable	578	692306	Wire Assembly Used on Type No(s). 0111, 0124, 0125, 0126, 0161, 0162.
456	695128	Plate-Pawl Friction Used on Type No(s). 0115.	523	699908	Dipstick	579	691029	Nut (Starter Cable)
459	281505s	Pawl-Ratchet Used on Type No(s). 0115.	524	★691032	Seal-Dipstick Tube	584	794682	Cover-Breather Passage (Use With Liquid Sealant Reference 850)
462	691261	Washer (Starter Cable)	525	697184	Tube-Dipstick Used on Type No(s). 0110, 0115, 0123, 0162, 0284, 0317.	597	691696	Screw (Pawl Friction Plate) Used on Type No(s). 0115.
474B	696459	Alternator (Dual Circuit) Used on Type No(s). 0115, 0123, 0284, 0317.			----- Note ----- 697085 Tube-Dipstick Used on Type No(s). 0111, 0112, 0113, 0114, 0116, 0124, 0125, 0126, 0129, 0130, 0131, 0132, 0136, 0161, 0318, 0403.	601	791850	Clamp-Hose
474C	696457	Alternator (Tri Circuit) Used on Type No(s). 0110, 0112, 0113, 0114, 0129, 0130, 0131, 0132, 0136, 0318, 0403.	526	697088	Screw (Regulator) Used on Type No(s). 0110, 0112, 0113, 0114, 0129, 0130, 0131, 0132, 0136, 0318, 0403.	608	695058	Starter-Rewind Used on Type No(s). 0115.
474D	696458	Alternator (10 Amp Circuit) Used on Type No(s). 0111, 0124, 0125, 0126, 0161, 0162.			----- Note ----- 697348 Screw (Regulator) Used on Type No(s). 0111, 0124, 0125, 0126, 0161, 0162.	613	691416	Screw
501	794360	Regulator Used on Type No(s). 0111, 0124, 0125, 0126, 0161, 0162.	544	692034	Armature-Starter	613A	691678	Screw (Muffler) (Muffler)
501A	794360	Regulator Used on Type No(s). 0110, 0112, 0113, 0114, 0129, 0130, 0131, 0132, 0136, 0318, 0403.	552	697144	Bushing-Governor Crank	613B	690297	Screw (Muffler)
503	691532	Strap-Starter	559	695134	Screw (Remote Choke Stop) Used on Type No(s). 0123, 0125, 0161, 0162.	614	691620	Pin-Cotter
505	691251	Nut (Governor Control Lever)			----- Note ----- 697561 Screw (Remote Choke Stop) Used on Type No(s). 0124, 0126.	616	692012	Crank-Governor
						617	★●692138	Seal-O Ring (Intake Manifold)
						633	690597	Seal-Choke/Throttle Shaft Used on Type No(s). 0116.
						634	●690802	Spring/Seal Assembly
						634B	●698779	Spring/Seal Assembly
						635	691909	Boot-Spark Plug
						643	698401	Retainer-Air Filter
						654	690958	Nut (Carburetor)

★ Included in Engine Gasket Set-Ref. No.358.

● Included in Carburetor Overhaul Kit-Ref. No. 121 or 121A.

◆ Included in Carburetor Gasket Set-Ref. No. 977.

△ Included in Valve Gasket Set-Ref. No 1095.

**Illustrations cover a range of engines. Parts shown without corresponding text may not be used on your specific engine.**

5035-13

Assemblies include all parts shown in frames.

09/29/2008

# 31F700

REF. NO.	PART NO.	DESCRIPTION	REF. NO.	PART NO.	DESCRIPTION	REF. NO.	PART NO.	DESCRIPTION
676	795038	Deflector-Muffler Used on Type No(s). 0161.	757	697607	Link-Counterweight	830	691095	Stud-Rocker Arm
		----- Note -----	758	793763	Counterweight (Used After Code Date 05100200).	842	*691031	Seal-O Ring (Dipstick Tube)
		393761 Deflector- Muffler			----- Note -----	847	790442	Dipstick/Tube Assembly
		Used on Type No(s). 0126, 0131.			795903 Counterweight (Used Before Code Date 05100300). (Must Use Kit 795903, Includes Sump And Counterweight).			Used on Type No(s). 0110, 0115, 0123, 0162, 0284, 0317.
676A	396903	Deflector-Muffler Used on Type No(s). 0116, 0136.			795938 Counterweight (Used Before Code Date 05100300). Used on Type No(s). 0110, 0111, 0113, 0115, 0116, 0123, 0124, 0125, 0126, 0131, 0136, 0161, 0162, 0284, 0317, 0318, 0403. (Must Use Kit 795938, Includes Sump And Counterweight).			----- Note ----- 790443 Dipstick/Tube Assembly
677	690661	Screw (Muffler Deflector) Used on Type No(s). 0116, 0126, 0131, 0161.						Used on Type No(s). 0111, 0112, 0113, 0114, 0116, 0124, 0125, 0126, 0129, 0130, 0131, 0132, 0136, 0161, 0318, 0403.
689	691855	Spring-Friction Used on Type No(s). 0115.				850	100100	Sealant-Liquid (Rocker Cover Gasket and Breather Gasket)
691	*692407	Seal-Governor Shaft				851	692424	Terminal-Spark Plug
692	691301	Spring-Detent Used on Type No(s). 0116.				864	794661	Adapter-Muffler Used on Type No(s). 0116, 0126, 0136, 0161.
697	690372	Screw (Drive Cap)	759	697392	Pin-Counterweight			
718	690959	Pin-Locating	773	796448	Retainer (Fuel Pump)	868	*Δ690968	Seal-Valve
729	691335	Clip-Wire (Wire Saddle)	783	693713	Gear-Pinion	877	393456	Wire/Connector- Alternator (Dual Circuit) Used on Type No(s). 0115, 0123, 0284, 0317.
729A	691224	Clip-Wire Used on Type No(s). 0112, 0129, 0130, 0132, 0136.	788	699347	Bracket-Fuel Pump Used on Type No(s). 0116.			
729B	694123	Clip-Wire	789	692037	Harness-Wiring Used on Type No(s). 0110, 0115, 0116, 0123, 0131, 0136, 0161, 0162.	877B	393537	Wire/Connector- Alternator (Tri Circuit) Used on Type No(s). 0110, 0112, 0113, 0114, 0129, 0130, 0131, 0132, 0136, 0318, 0403.
741	697128	Gear-Timing						
750	790832	Screw (Oil Pump Cover)	789A	698329	Harness-Wiring Used on Type No(s). 0126, 0284, 0317, 0318, 0403.	877C	399916	Wire/Connector- Alternator (10 Amp Circuit) Used on Type No(s). 0111, 0124, 0125, 0126, 0161, 0162.
			789B	790544	Harness-Wiring Used on Type No(s). 0318, 0403.			
			797	693167	Nut (Brush Retainer)	878	398661	Harness-Alternator (Dual Circuit) Used on Type No(s). 0115, 0123, 0284, 0317.
			801	691283	Cap-Drive			
			802	691286	Cap-End			
			803		Housing-Starter (Not Serviced Separately, Order Starter Motor 693551)			
			823	698941	Screw (Muffler Adapter)			

\* Included in Engine Gasket Set-Ref. No.358.

● Included in Carburetor Overhaul Kit-Ref. No. 121 or 121A.

◆ Included in Carburetor Gasket Set-Ref. No. 977.

Δ Included in Valve Gasket Set-Ref. No 1095.

**Illustrations cover a range of engines. Parts shown without corresponding text may not be used on your specific engine.**

5035-14

Assemblies include all parts shown in frames.

09/29/2008

REF. NO.	PART NO.	DESCRIPTION	REF. NO.	PART NO.	DESCRIPTION	REF. NO.	PART NO.	DESCRIPTION
<b>878A</b>	<b>691955</b>	Harness-Alternator (Tri Circuit) Used on Type No(s). 0110, 0112, 0113, 0114, 0129, 0130, 0131, 0132, 0318, 0403.	<b>947</b>	<b>694393</b>	Solenoid-Fuel	<b>975</b>	<b>495933</b>	Bowl-Float
			<b>947A</b>	<b>699915</b>	Solenoid-Fuel	<b>975A</b>	<b>699502</b>	Bowl-Float
			<b>950</b>	<b>691657</b>	Screw-Float Bowl	<b>977</b>	<b>690192</b>	Gasket Set-Carburetor
			<b>965</b>	<b>499613</b>	Cover-Oil Pump	<b>987</b>	<b>●691326</b>	Seal-Throttle Shaft
			<b>967</b>	<b>697015</b>	Filter-Pre Cleaner	<b>987A</b>	<b>●698777</b>	Seal-Throttle Shaft
			<b>968</b>	<b>698403</b>	Cover-Air Cleaner (Black) (Used After Code Date 04120500).	<b>994</b>	<b>794945</b>	Arrestor-Spark Used on Type No(s). 0116.
<b>883</b>	<b>★692236</b>	Gasket-Exhaust				<b>1005</b>	<b>796083</b>	Fan-Flywheel (Used After Code Date 07040800).
<b>884</b>	<b>691956</b>	Clamp-Muffler Used on Type No(s). 0131.			<b>----- Note -----</b>	<b>1005A</b>	<b>796201</b>	Fan-Flywheel (Used Before Code Date 07040900).
<b>914</b>	<b>691108</b>	Screw (Rocker Cover)			<b>697084</b> Cover-Air Cleaner (Black) (Used Before Code Date 04120600).	<b>1005B</b>		Fan-Flywheel (No Longer Available) (See Reference1005A For Service Flywheel Fan).
<b>918</b>	<b>791851</b>	Hose-Vacuum			<b>699830</b> Cover-Air Cleaner (Red)			
<b>943</b>	<b>★690589</b>	Seal-O Ring (Oil Pump Cover)						

★ Included in Engine Gasket Set-Ref. No.358.

● Included in Carburetor Overhaul Kit-Ref. No. 121 or 121A.

◆ Included in Carburetor Gasket Set-Ref. No. 977.

△ Included in Valve Gasket Set-Ref. No 1095.

**Illustrations cover a range of engines. Parts shown without corresponding text may not be used on your specific engine.**

5035-15

Assemblies include all parts shown in frames.

09/29/2008

# 31F700

REF. NO.	PART NO.	DESCRIPTION	REF. NO.	PART NO.	DESCRIPTION	REF. NO.	PART NO.	DESCRIPTION
1017	690770	Screen-Oil Pump (Push In)	1040B	699852	Plate-Trim	1263	697124	Reed-Breather
1022★△272475S		Gasket-Rocker Cover (Used Before Code Date 07091000). (After Date Code Use liquid Sealant Reference 850)	1044	698139	Screw (Flywheel)	1264	697104	Screw (Breather Reed)
1023	794659	Cover-Rocker	1051	691265	Ring-Retaining	1265	697125	Support-Blower Housing
1024A	794644	Pump-Oil	1054	280275	Tie-Cable	1266	★●691917	Seal-O Ring (Intake Elbow)
1026	692003	Rod-Push (Intake)	1058	276344	Operator's Manual	1266A	●697123	Seal-O Ring (Intake Elbow)
		----- Note -----	1059	698516	Kit-Screw/Washer	1267	697419	Latch-Blower Housing (Black)
		692011 Rod-Push (Exhaust)	1070	690372	Screw (Flywheel Fan) (Used Before Code Date 07040900).			----- Note -----
1027	492932s	Filter-Oil	1070A	690363	Screw (Flywheel Fan) (Used After Code Date 07040800),			697424 Latch-Blower Housing (Red)
1029	691751	Arm-Rocker	1090	691293	Retainer-Brush	1270	697156	Plug-AVS Counterweight
1034	690822	Guide-Push Rod	1091	691333	Cap-Limiter	1279	691108	Screw (Blower Housing Support)
1036		Label-Emissions (Available From A Briggs & Stratton Authorized Dealer)	1095	794152	Gasket Set-Valve	1319	794467	Label-Warning
1036A	698979	Label-Emissions Used on Type No(s). 0284.	1119	691183	Screw (Alternator)			
			1127	695407	Screw (Float Bowl)			
			1139	796449	Washer			
			1146	793380	Screw (Choke Shaft)			

★ Included in Engine Gasket Set-Ref. No.358.

● Included in Carburetor Overhaul Kit-Ref. No. 121 or 121A.

◆ Included in Carburetor Gasket Set-Ref. No. 977.

△ Included in Valve Gasket Set-Ref. No 1095.

**Illustrations cover a range of engines. Parts shown without corresponding text may not be used on your specific engine.**

5035-16

Assemblies include all parts shown in frames.

09/29/2008



Not for  
Reproduction

Not for  
Reproduction

Not for  
Reproduction

Not for  
Reproduction



## Free Manuals Download Website

<http://myh66.com>

<http://usermanuals.us>

<http://www.somanuals.com>

<http://www.4manuals.cc>

<http://www.manual-lib.com>

<http://www.404manual.com>

<http://www.luxmanual.com>

<http://aubethermostatmanual.com>

Golf course search by state

<http://golfingnear.com>

Email search by domain

<http://emailbydomain.com>

Auto manuals search

<http://auto.somanuals.com>

TV manuals search

<http://tv.somanuals.com>