



Illustrated Parts List

Model Series

31H700

TYPE NUMBERS
0110 Through 0831.

TABLE OF CONTENTS

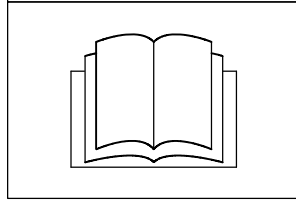
Air Cleaner	6
Alternator	8
Blower Housing	6
Camshaft	2
Carburetor	5
Controls	8
Crankshaft	2
Cylinder	2
Cylinder Head	4
Electric Starter	8
Engine Sump	3
Exhaust System	6
Flywheel	7
Fuel Supply	5
Gasket Set - Engine	4
Gasket Set - Valve	4
Governor Spring	8
Ignition	8
Intake Manifold	4
Kit - Carburetor Overhaul	5
Lubrication	4
Operator's Manual	2
Piston, Rings, Connecting Rod	2
Valves	4
Warning Label	2



PRINTED IN U.S.A.

COPYRIGHT by BRIGGS & STRATTON CORPORATION
All rights reserved. No part of this material may be reproduced or transmitted, in any form or by any means, electronic or mechanical, including photocopying, recording or by any information storage and retrieval system, without permission in writing from Briggs & Stratton Corporation.

1058 OPERATOR'S MANUAL

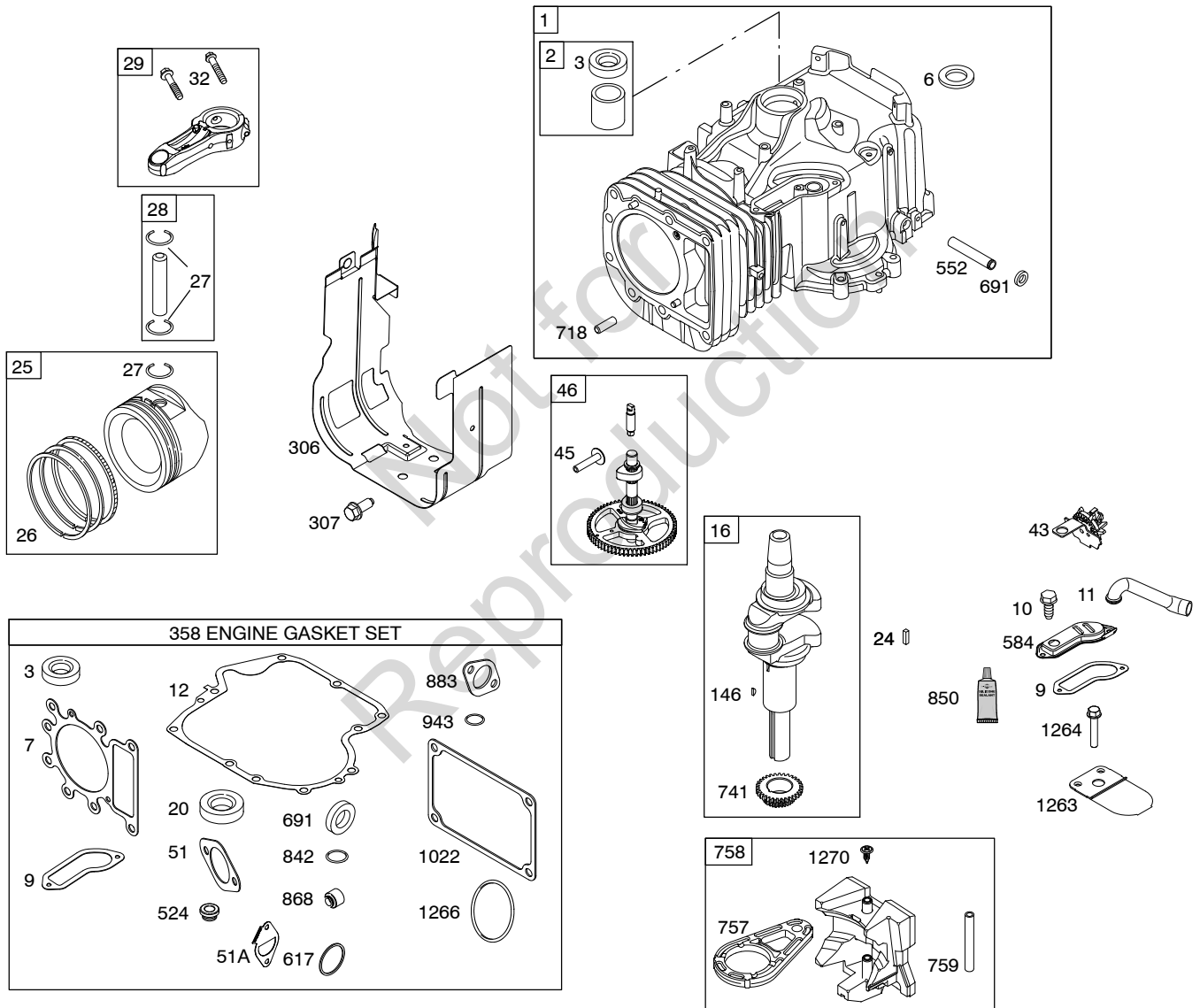


1319 WARNING LABEL

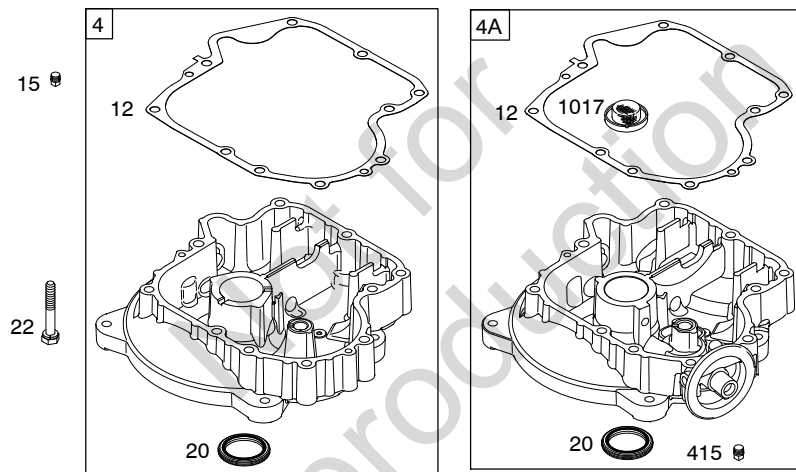
WARNING

- Read and follow Operating Instructions before running engine.
- Gasoline is flammable. Allow engine to cool at least 2 minutes before refueling.
- Engines emit carbon monoxide, **DO NOT** run in enclosed area.
- Muffler area temperature may exceed 150°F. Do not touch hot parts.

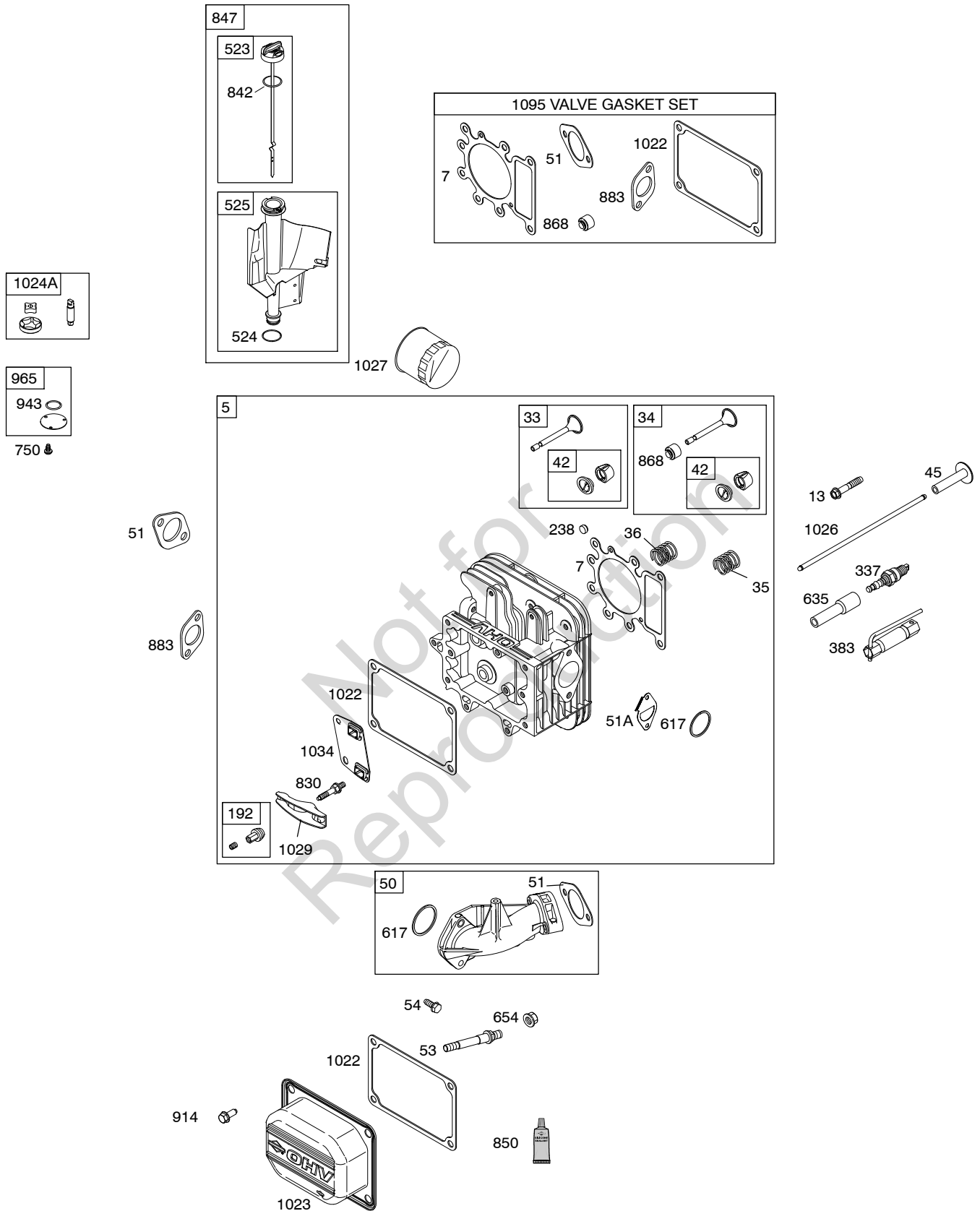
REQUIRED when replacing parts with warning labels affixed.



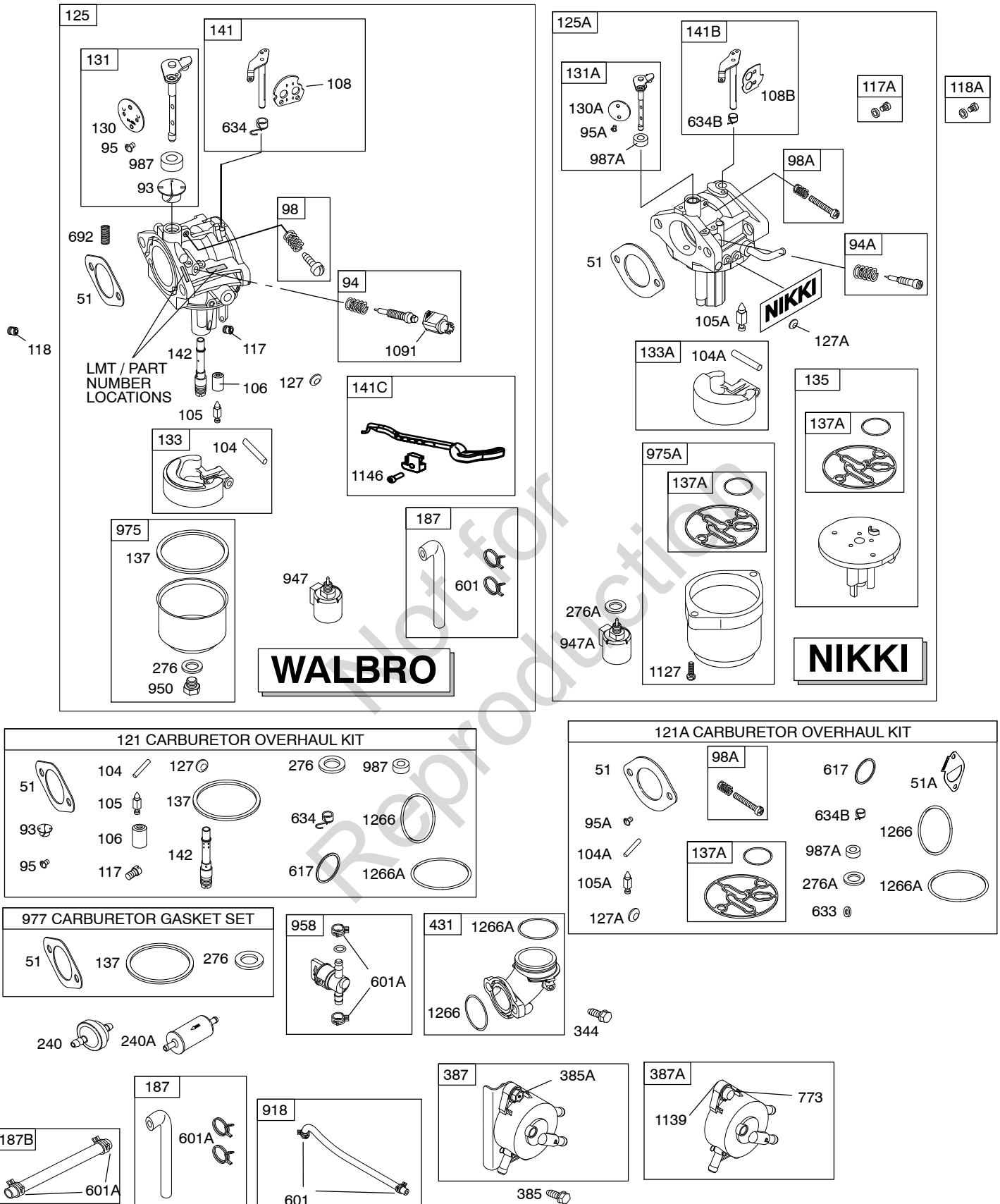
Illustrations cover a range of engines. Parts shown without corresponding text may not be used on your specific engine.
 5174-2 Assemblies include all parts shown in frames. 10/06/2008



5174-3 *Illustrations cover a range of engines. Parts shown without corresponding text may not be used on your specific engine.* Assemblies include all parts shown in frames. 10/06/2008

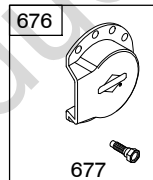
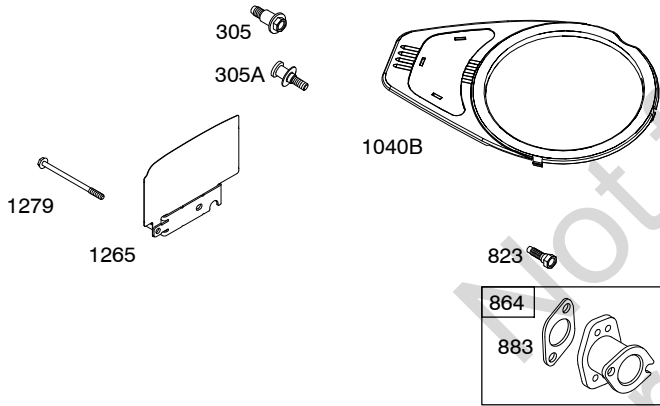
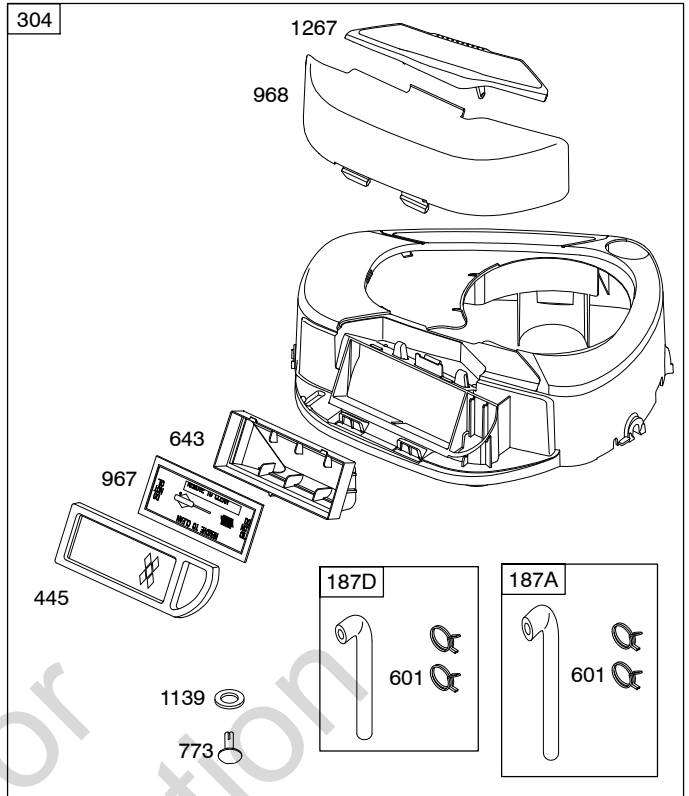
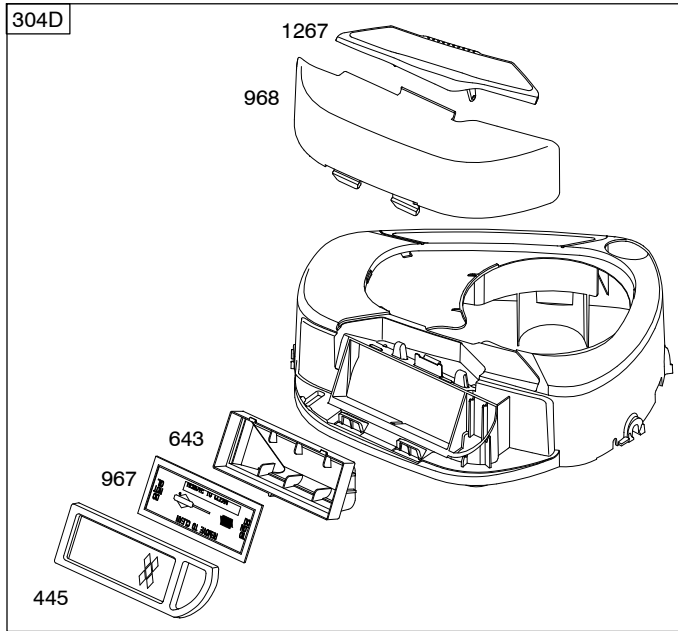


Illustrations cover a range of engines. Parts shown without corresponding text may not be used on your specific engine.
5174-4 Assemblies include all parts shown in frames. **10/06/2008**

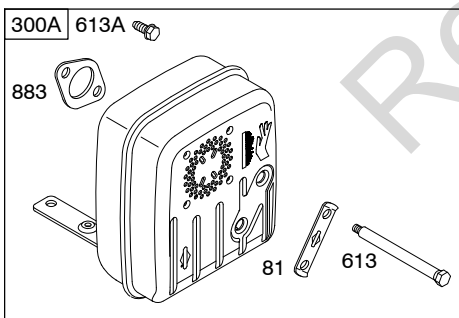


Illustrations cover a range of engines. Parts shown without corresponding text may not be used on your specific engine.
 5174-5 Assemblies include all parts shown in frames. 10/06/2008

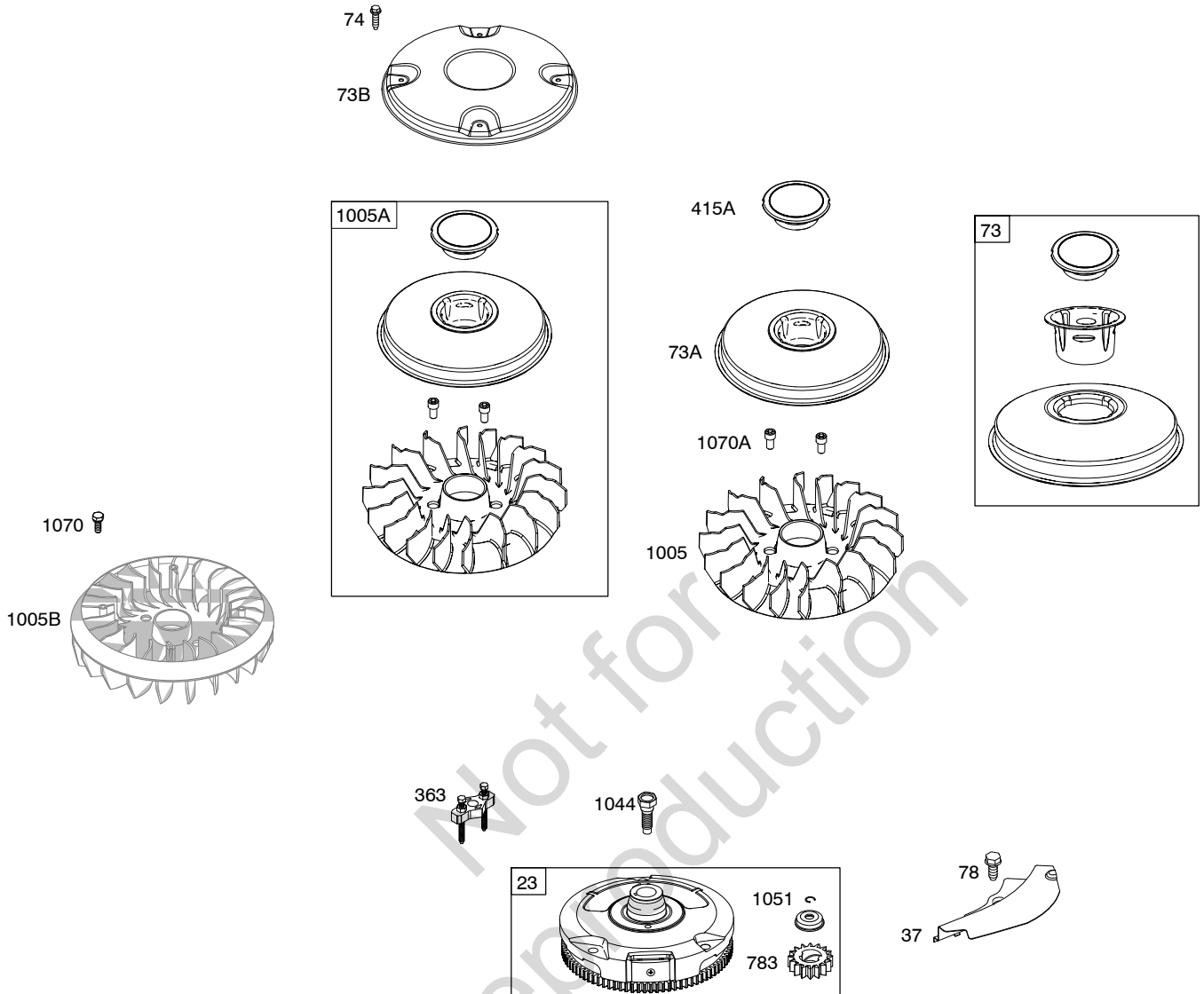
31H700



1036 EMISSIONS LABEL



5174-6 *Illustrations cover a range of engines. Parts shown without corresponding text may not be used on your specific engine.* Assemblies include all parts shown in frames. 10/06/2008



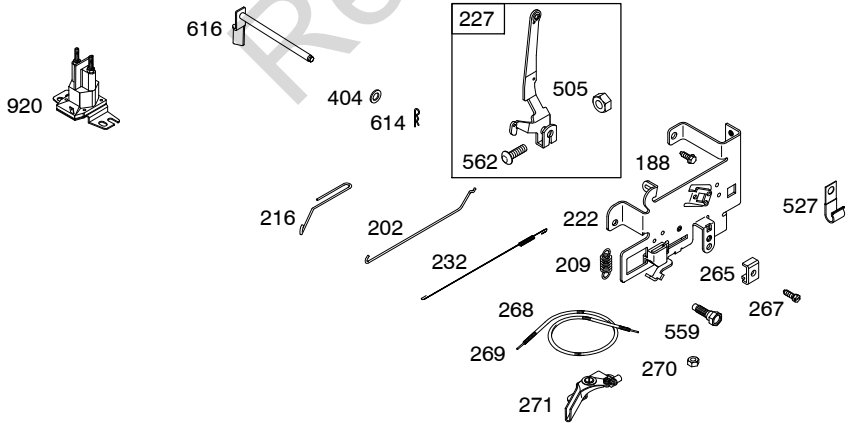
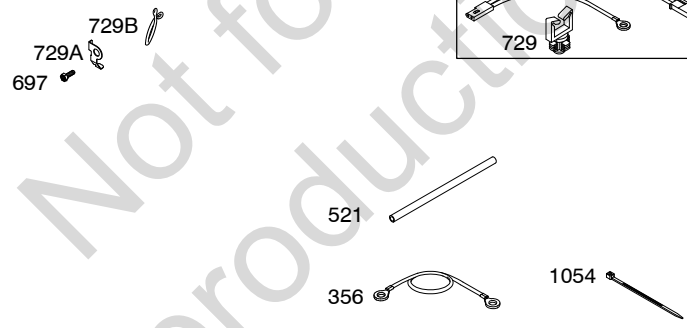
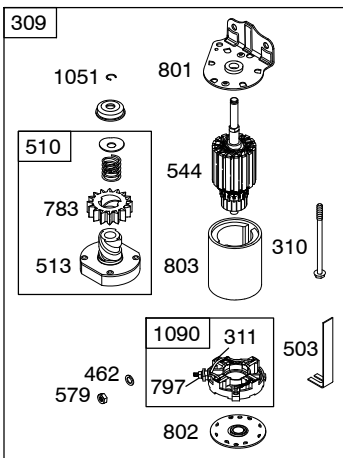
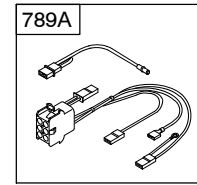
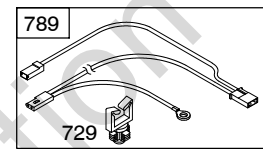
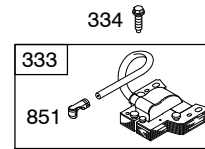
Not for reproduction

31H700

DUAL CIRCUIT		TRI CIRCUIT		10 AMP	
474B	1059	474C	1059	474D	1059
877		877B		877C	
878		878A		578	
		5/9 AMP REGULATED	501A	526	10/16 AMP REGULATED

NOTE: All stators use a No. 1119 mounting screw.

NOTE: The proper flywheel part number and/or the alternator magnet size will determine the alternator type or output. See repair instruction manual for additional information.



Illustrations cover a range of engines. Parts shown without corresponding text may not be used on your specific engine.
 5174-8 Assemblies include all parts shown in frames. 10/06/2008

31H700

REF. NO.	PART NO.	DESCRIPTION	REF. NO.	PART NO.	DESCRIPTION	REF. NO.	PART NO.	DESCRIPTION
27	698469	Lock-Piston Pin	42	499586	Keeper-Valve	108	692344	Valve-Choke
28	796007	Pin-Piston (Standard) (Used After Code Date 08042700).	43	691968	Slinger-Governor/Oil	108B	695419	Valve-Choke
		----- Note -----	45	690564	Tappet-Valve	117	694352	Jet-Main (Standard)
		697099 Pin-Piston (Standard) (Used Before Code Date 08042800).	46	793880	Camshaft	117A	699732	Jet-Main (Standard)
29	791631	Rod-Connecting (Standard)	50	690193	Manifold-Intake			----- Note -----
		----- Note -----	51★△◆692137	Gasket-Intake				843099 Jet-Main (Standard) (Used After Code Date 08051300). Used on Type No(s). 0112, 0114, 0119, 0168, 0177, 0202, 0210, 0228, 0235, 0297, 0605.
		794571 Rod-Connecting (Standard) Used on Type No(s). 0113, 0115, 0117, 0118, 0119, 0120, 0122.	51A	★692137	Gasket-Intake			699732 Jet-Main (Standard) (Used Before Code Date 08051400). Used on Type No(s). 0112, 0114, 0119, 0168, 0177, 0202, 0210, 0228, 0235, 0297, 0605.
32	791118	Screw (Connecting Rod)	53	690227	Stud (Carburetor)			
33	791934	Valve-Exhaust (Used After Code Date 06021200).	54	691148	Screw			
		----- Note -----	73	796308	Screen-Rotating (Used After Code Date 08082600).			
		695760 Valve-Exhaust (Used Before Code Date 06021300).	73A	794437	Screen-Rotating (Used Before Code Date 08082700 and After Code Date 07040800).			
34	791935	Valve-Intake (Used After Code Date 06021200).	73B	697133	Screen-Rotating (Used Before Code Date 07040900).			
		----- Note -----			Service with 796201 Fan-Flywheel).			
		695761 Valve-Intake (Used Before Code Date 06021300).	74	697897	Screw (Rotating Screen) (Used Before Code Date 07040900).			
35	691279	Spring-Valve (Intake)	78	691003	Screw (Flywheel Guard)			
36	691279	Spring-Valve (Exhaust)	81	691178	Lock-Muffler Screw			
37	697352	Guard-Flywheel	93	◆690602	Bushing-Throttle Shaft			
		----- Note -----	94	498030	Kit-Idle Mixture			
		697108 Guard-Flywheel Used on Type No(s). 0101, 0110, 0112, 0113, 0114, 0115, 0117, 0119, 0120, 0168, 0177, 0202, 0210, 0212, 0228, 0235.	94A	793610	Kit-Idle Mixture			
			95	◆691636	Screw (Throttle Valve)			
			95A	◆690718	Screw (Throttle Valve)			
			98	495800	Kit-Idle Speed			
			98A	695408	Kit-Idle Speed			
			104	◆690525	Pin-Float Hinge			
			104A	◆694918	Pin-Float Hinge			
			105	◆231855s	Valve-Float Needle			
			105A	◆696136	Valve-Float Needle			
			106	◆690577	Seat-Inlet (Walbro)(Gravity Feed)			
					----- Note -----			
					◆691780 Seat-Inlet (Walbro)(Pump Feed)			
						118	697228	Jet-Main (High Altitude)
						118A	699458	Jet-Main (High Altitude)
								----- Note -----
								790890 Jet-Main (Standard) (Used After Code Date 08051300). Used on Type No(s). 0112, 0114, 0119, 0168, 0177, 0202, 0210, 0228, 0235, 0297, 0605.
								699458 Jet-Main (High Altitude) (Used Before Code Date 08051400). Used on Type No(s). 0112, 0114, 0119, 0168, 0177, 0202, 0210, 0228, 0235, 0297, 0605.

★ Included in Engine Gasket Set-Ref. No.358.

● Included in Carburetor Overhaul Kit-Ref. No. 121 or 121A.

◆ Included in Carburetor Gasket Set-Ref. No. 977.

△ Included in Valve Gasket Set-Ref. No 1095.

Illustrations cover a range of engines. Parts shown without corresponding text may not be used on your specific engine.

5174-10

Assemblies include all parts shown in frames.

10/06/2008

REF. NO.	PART NO.	DESCRIPTION	REF. NO.	PART NO.	DESCRIPTION	REF. NO.	PART NO.	DESCRIPTION
121	697241	Kit-Carburetor Overhaul (Walbro)	137	281165s	Gasket-Float Bowl	216	691840	Link-Choke
121A	699521	Kit-Carburetor Overhaul (Nikki)	137A	698781	Gasket-Float Bowl	222	694042	Bracket-Control
125	793224	Carburetor (Walbro Carburetor)	141	790902	Kit-Choke Shaft	227	691374	Lever-Governor Control
125A	792358	Carburetor (Nikki Carburetor)	141B	695420	Kit-Choke Shaft	232	691842	Spring-Governor Link
		----- Note -----	141C	793386	Kit-Choke Shaft (Manual Choke)	238	691843	Cap-Valve
		796109 Carburetor (Nikki Carburetor)	142	697140	Nozzle-Carburetor (Standard)	240	394358s	Filter-Fuel (White, 75 Microns) Used on Type No(s). 0112, 0114, 0119, 0168, 0177, 0202, 0210, 0212, 0228, 0235, 0297.
		(Used After Code Date 08051300).	146	691639	Key-Timing	240A	691035	Filter-Fuel (Includes Paper Element With A 40 Micron Rating) Used on Type No(s). 0110, 0113, 0115, 0117, 0118, 0120, 0122, 0830, 0831.
		Used on Type No(s). 0101, 0110, 0112, 0113, 0114, 0115, 0117, 0119, 0120, 0168, 0177, 0202, 0210, 0212, 0228, 0235.	187	791805	Line-Fuel (Formed)(10-1/4 Inches Long)(Cut to Required Length)	265	691024	Clamp-Casing
		792358 Carburetor (Nikki Carburetor)	187A	791806	Line-Fuel (Formed)(21 Inches Long)(Cut to Required Length)	267	794904	Screw (Casing Clamp)
		(Used Before Code Date 08051400).	187B	791766	Line-Fuel (15 Inches Long)(Cut To Required Length)	268	691025	Casing-Control Wire (Cut To Required Length)
		Used on Type No(s). 0101, 0110, 0112, 0113, 0114, 0115, 0117, 0119, 0120, 0168, 0177, 0202, 0210, 0212, 0228, 0235.	187D	791744	Line-Fuel (Formed)(14 Inches Long)(Cut to Required Length)	269	691026	Wire-Control (Cut To Required Length)
127	695005	Plug-Welch (5/16" Diameter)	188	691693	Screw (Control Bracket)	270	691027	Nut (Control Wire Casing)
127A	690727	Plug-Welch	192	691986	Adjuster-Rocker Arm	271	691028	Lever-Control
130	691750	Valve-Throttle	202	691841	Link-Mechanical Governor	276	692255	Washer-Sealing
130A	699500	Valve-Throttle	209	692208	Spring-Governor	276A	695410	Washer-Sealing
131	790901	Kit-Throttle Shaft			----- Note -----			
131A	699501	Kit-Throttle Shaft			260902 Spring-Governor			
133	494381	Float-Carburetor			Used on Type No(s). 0120.			
133A	694914	Float-Carburetor			792602 Spring-Governor			
135	698780	Tube-Fuel Transfer (Nikki)(Gravity Feed)			Used on Type No(s). 0113, 0114.			
		----- Note -----						
		792022 Tube-Fuel Transfer (Nikki)(Pump Feed)						

★ Included in Engine Gasket Set-Ref. No.358.

● Included in Carburetor Overhaul Kit-Ref. No. 121 or 121A.

◆ Included in Carburetor Gasket Set-Ref. No. 977.

△ Included in Valve Gasket Set-Ref. No 1095.

Illustrations cover a range of engines. Parts shown without corresponding text may not be used on your specific engine.

5174-11

Assemblies include all parts shown in frames.

10/06/2008

31H700

REF. NO.	PART NO.	DESCRIPTION	REF. NO.	PART NO.	DESCRIPTION	REF. NO.	PART NO.	DESCRIPTION
300A	795997	Muffler (Used After Code Date 08042700). Used on Type No(s). 0110, 0114. ----- Note ----- 697349 Muffler (Used Before Code Date 08042800). Used on Type No(s). 0110, 0114. 795998 Muffler (Used After Code Date 08042700). Used on Type No(s). 0112. 698356 Muffler (Used Before Code Date 08042800). Used on Type No(s). 0112.	307	691003	Screw (Cylinder Shield)	431	697122	Elbow-Intake
			309	693551	Motor-Starter	445	698083	Filter-Air Cleaner Cartridge (Non Washable) ----- Note ----- 697153 Filter-Air Cleaner Cartridge (Washable) Used on Type No(s). 0202.
			310	690323	Screw (Starter Motor)			
			311	497608	Brush Set	462	691261	Washer (Starter Cable)
			333	795315	Armature-Magneto	474B	696459	Alternator (Dual Circuit) Used on Type No(s). 0177, 0202, 0210, 0212, 0228, 0235, 0297, 0605, 0830.
			334	691061	Screw (Magneto Armature)			
			337	491055s	Plug-Spark Used on Type No(s). 0110, 0112, 0114, 0168, 0210, 0212, 0235, 0605. ----- Note ----- 691043 Plug-Spark Used on Type No(s). 0113, 0115, 0117, 0118, 0119, 0120, 0122, 0177, 0202, 0228, 0297, 0830, 0831.	474C	696457	Alternator (Tri Circuit) Used on Type No(s). 0112, 0114, 0119, 0831.
304	796416	Housing-Blower (Black) (Used After Code Date 08082400). ----- Note ----- 790929 Housing-Blower (Red) (Used Before Code Date 08082500). 698599 Housing-Blower (Black) (Used Before Code Date 08082500).	344	693675	Screw (Cable Clamp) Used on Type No(s). 0113, 0115, 0118, 0122, 0202, 0210, 0212, 0228, 0297.	474D	696458	Alternator (10 Amp Circuit) Used on Type No(s). 0110, 0113, 0115, 0117, 0118, 0120, 0122, 0168.
			356	697089	Wire-Stop	501	691185	Regulator (10/16 Amp Regulated) Used on Type No(s). 0110, 0113, 0115, 0117, 0118, 0120, 0122, 0168.
			358	794150	Gasket Set-Engine			
			363	19203	Puller-Flywheel	501A	794360	Regulator (5/9 Amp Regulated) Used on Type No(s). 0112, 0114, 0119, 0831.
			383	89838s	Wrench-Spark Plug	503	691532	Strap-Starter
			385	694476	Screw (Fuel Pump)			
			385A	690297	Screw (Fuel Pump)			
305	697102	Screw (Blower Housing)	387	697090	Pump-Fuel (Includes Mounting Bracket) (Used Before Code Date 08082500).			
305A	697103	Screw (Blower Housing)	387A	808656	Pump-Fuel (Used After Code Date 08082400).			
306	796006	Shield-Cylinder (Used After Code Date 08042700). ----- Note ----- 697107 Shield-Cylinder (Used Before Code Date 08042800).	404	691691	Washer (Governor Crank)			
			415	694903	Plug (Sump)			
			415A	794129	Plug (Cover/Retainer) (Used After Code Date 07040800).			

★ Included in Engine Gasket Set-Ref. No.358.

● Included in Carburetor Overhaul Kit-Ref. No. 121 or 121A.

◆ Included in Carburetor Gasket Set-Ref. No. 977.

△ Included in Valve Gasket Set-Ref. No 1095.

Illustrations cover a range of engines. Parts shown without corresponding text may not be used on your specific engine.

5174-12

Assemblies include all parts shown in frames.

10/06/2008

REF. NO.	PART NO.	DESCRIPTION	REF. NO.	PART NO.	DESCRIPTION	REF. NO.	PART NO.	DESCRIPTION
505	691251	Nut (Governor Control Lever)	559	697561	Screw (Remote Choke Stop) Used on Type No(s). 0113, 0115, 0210, 0212.	676	393761	Deflector-Muffler Used on Type No(s). 0110, 0112, 0114.
510	693699	Drive-Starter				677	690661	Screw (Muffler Deflector)
513	692024	Clutch-Drive				691	★692407	Seal-Governor Shaft
521	690581	Shield-Cable Used on Type No(s). 0210.				692	690572	Spring-Detent
510	693699	Drive-Starter				697	690372	Screw (Drive Cap)
513	692024	Clutch-Drive				718	690959	Pin-Locating
521	690581	Shield-Cable Used on Type No(s). 0210.	562	691119	Bolt (Governor Control Lever)	729	691335	Clip-Wire (Wire Saddle)
523	699908	Dipstick	578	692306	Wire Assembly Used on Type No(s). 0110, 0113, 0115, 0117, 0118, 0120, 0168.	729A	691224	Clip-Wire (Aluminum Coated Steel)
524	★691032	Seal-Dipstick Tube				729B	694123	Clip-Wire (Nylon)
525	697184	Tube-Dipstick Used on Type No(s). 0112, 0114, 0119, 0168, 0177, 0202, 0210, 0212, 0228, 0235, 0297, 0605.	579	691029	Nut (Starter Cable)	741	697128	Gear-Timing
		----- Note ----- 697085 Tube-Dipstick Used on Type No(s). 0110, 0113, 0115, 0117, 0118, 0120, 0122, 0830, 0831.	584	794682	Cover-Breather Passage (Use With Liquid Sealant Reference 850)	750	790832	Screw (Oil Pump Cover)
526	697348	Screw (Regulator) Used on Type No(s). 0110, 0113, 0115, 0117, 0118, 0120, 0168.	601	791850	Clamp-Hose	757	697607	Link-Counterweight
		----- Note ----- 697088 Screw (Regulator) Used on Type No(s). 0112, 0114, 0119, 0831.	601A	691038	Clamp-Hose	758	793763	Counterweight (Used After Code Date 05100200). ----- Note ----- 795903 Counterweight (Used Before Code Date 05100300). (Must Use Kit 795903, Includes Sump And Counterweight). 795938 Counterweight (Used Before Code Date 05100300). Used on Type No(s). 0110, 0112, 0113, 0114, 0115, 0117, 0118, 0119, 0120, 0122, 0168, 0177, 0202, 0210, 0228, 0235, 0297, 0605, 0830, 0831. (Must Use Kit 795938, Includes Sump And Counterweight).
		----- Note ----- 697088 Screw (Regulator) Used on Type No(s). 0112, 0114, 0119, 0831.	613	691416	Screw (Muffler)			
527	698467	Clamp-Tube (Fuel Line) Used on Type No(s). 0202, 0228, 0297, 0605.	613A	691678	Screw (Muffler)			
544	692034	Armature-Starter						
552	697144	Bushing-Governor Crank	614	691620	Pin-Cotter			
			616	692012	Crank-Governor			
			617	★692138	Seal-O Ring (Intake Manifold)			
			634	●690802	Spring/Seal Assembly			
			634B	●698779	Spring/Seal Assembly			
			635	691909	Boot-Spark Plug			
			643	698401	Retainer-Air Filter			
			654	690958	Nut (Carburetor)			

★ Included in Engine Gasket Set-Ref. No.358.

● Included in Carburetor Overhaul Kit-Ref. No. 121 or 121A.

◆ Included in Carburetor Gasket Set-Ref. No. 977.

△ Included in Valve Gasket Set-Ref. No 1095.

Illustrations cover a range of engines. Parts shown without corresponding text may not be used on your specific engine.

5174-13

Assemblies include all parts shown in frames.

10/06/2008

31H700

REF. NO.	PART NO.	DESCRIPTION	REF. NO.	PART NO.	DESCRIPTION	REF. NO.	PART NO.	DESCRIPTION
759	697392	Pin-Counterweight	851	692424	Terminal-Spark Plug	965	499613	Cover-Oil Pump
773	796448	Retainer	864	794661	Adapter-Muffler			Used on Type No(s).
783	693713	Gear-Pinion	868	★△690968	Seal-Valve			0110, 0112, 0113,
789	692037	Harness-Wiring Used on Type No(s). 0168, 0177, 0210, 0212.	877	393456	Wire/Connector- Alternator (Dual Circuit) Used on Type No(s). 0177, 0202, 0210, 0212, 0228, 0235, 0297, 0605, 0830.			0114, 0115, 0168, 0202, 0210, 0228, 0235, 0297, 0605, 0830, 0831.
789A	698329	Harness-Wiring Used on Type No(s). 0110, 0112, 0113, 0114, 0115, 0117, 0118, 0119, 0120, 0122, 0202, 0228, 0235, 0297, 0605.	877B	393537	Wire/Connector- Alternator (Tri Circuit) Used on Type No(s). 0112, 0114, 0119, 0831.	967	697015	Filter-Pre Cleaner
797	693167	Nut (Brush Retainer)	877C	399916	Wire/Connector- Alternator (10 Amp Circuit) Used on Type No(s). 0110, 0113, 0115, 0117, 0118, 0120, 0122, 0168.	968	698403	Cover-Air Cleaner ----- Note -----
801	691283	Cap-Drive	878	398661	Harness-Alternator (Alternator to Regulator) Used on Type No(s). 0177, 0202, 0210, 0212, 0228, 0235, 0297, 0605, 0830.			698403 Cover-Air Cleaner (Black) (Used After Code Date 08082400). Used on Type No(s). 0202, 0210, 0212, 0228, 0235, 0297, 0830, 0831.
802	691286	Cap-End	878A	691955	Harness-Alternator (Alternator to Regulator) Used on Type No(s). 0112, 0114, 0119, 0831.			697446 Cover-Air Cleaner (Red) (Used Before Code Date 08082500). Used on Type No(s). 0202, 0210, 0212, 0228, 0235.
803		Housing-Starter (Not Serviced Separately, Order Starter Motor 693551)	883	★692236	Gasket-Exhaust			699830 Cover-Air Cleaner (Red) (Used Before Code Date 08082500). Used on Type No(s). 0297, 0830, 0831.
823	698941	Screw (Muffler Adapter)	914	691108	Screw (Rocker Cover)	975	495933	Bowl-Float
830	691095	Stud-Rocker Arm	918	791851	Hose-Vacuum	975A	699502	Bowl-Float
842	★691031	Seal-O Ring (Dipstick Tube)	920	691656	Solenoid-Starter Used on Type No(s). 0114.	977	690192	Gasket Set-Carburetor
847	790442	Dipstick/Tube Assembly Used on Type No(s). 0112, 0114, 0119, 0168, 0177, 0202, 0210, 0212, 0228, 0235, 0297, 0605.	943	★690589	Seal-O Ring (Oil Pump Cover)	987	●691326	Seal-Throttle Shaft
		----- Note ----- 790443 Dipstick/Tube Assembly Used on Type No(s). 0110, 0113, 0115, 0117, 0118, 0120, 0122, 0830, 0831.	947	694393	Solenoid-Fuel	987A	●698777	Seal-Throttle Shaft
850	100100	Sealant-Liquid (Rocker Cover Gasket and Breather Gasket) (Used After Code Date 07071800).	947A	699915	Solenoid-Fuel	1005	796083	Fan-Flywheel (Used After Code Date 07040800).
			950	691657	Screw-Float Bowl	1005A	794436	Fan-Flywheel (Used Before Code Date 07040900).
			958	698183	Valve-Fuel Shut Off (Plastic) Used on Type No(s). 0114.	1005B		Fan-Flywheel (No Longer Available) (See Reference 1005A For Service Flywheel Fan).

★ Included in Engine Gasket Set-Ref. No.358.

● Included in Carburetor Overhaul Kit-Ref. No. 121 or 121A.

◆ Included in Carburetor Gasket Set-Ref. No. 977.

△ Included in Valve Gasket Set-Ref. No 1095.

Illustrations cover a range of engines. Parts shown without corresponding text may not be used on your specific engine.

5174-14

Assemblies include all parts shown in frames.

10/06/2008

REF. NO.	PART NO.	DESCRIPTION	REF. NO.	PART NO.	DESCRIPTION	REF. NO.	PART NO.	DESCRIPTION
1017	690770	Screen-Oil Pump	1036A	698979	Label-Emissions Used on Type No(s). 0114.	1265	697125	Support-Blower Housing
1022	★△272475S	Gasket-Rocker Cover (Used Before Code Date 07091000). (After Date Code Use liquid Sealant Reference 850)	1040B	699852	Plate-Trim Used on Type No(s). 0117, 0118, 0119, 0120, 0122, 0177, 0297, 0605, 0830, 0831.	1266	★●691917	Seal-O Ring (Intake Elbow)
1023	794659	Cover-Rocker (Used After Code Date 05013100). ----- Note ----- 692492 Cover-Rocker (Used Before Code Date 05020100).	1044	698139	Screw (Flywheel)	1266A	●697123	Seal-O Ring (Intake Elbow)
1024A	794644	Pump-Oil	1051	691265	Ring-Retaining	1267	697419	Latch-Blower Housing (Black) ----- Note ----- 697419 Latch-Blower Housing (Black) (Used After Code Date 08082400). Used on Type No(s). 0202, 0210, 0212, 0228, 0235, 0297, 0830, 0831. 697662 Latch-Blower Housing (Red) (Used Before Code Date 08082500). Used on Type No(s). 0202, 0210, 0212, 0228, 0235. 697424 Latch-Blower Housing (Red) (Used Before Code Date 08082500). Used on Type No(s). 0297, 0830, 0831.
1026	692003	Rod-Push (Intake) ----- Note ----- 692011 Rod-Push (Exhaust)	1054	280275	Tie-Cable	1270	697156	Plug-AVS Counterweight
1027	492932s	Filter-Oil Used on Type No(s). 0110, 0112, 0113, 0114, 0115, 0117, 0119, 0168, 0177, 0210, 0228, 0235, 0297, 0605, 0830, 0831. ----- Note ----- 696854 Filter-Oil Used on Type No(s). 0202.	1058	276344	Manual-Owner's	1279	691108	Screw (Blower Housing Support)
1029	691751	Arm-Rocker	1059	698516	Kit-Screw/Washer	1319	794467	Label-Warning
1034	690822	Guide-Push Rod	1070	690372	Screw (Flywheel Fan) (Used Before Code Date 07040900).			
1036		Label-Emission (Available From A Briggs & Stratton Authorized Dealer)	1070A	690363	Screw (Flywheel Fan) (Used After Code Date 07040800).			
			1090	691293	Retainer-Brush			
			1091	691333	Cap-Limiter			
			1095	794152	Gasket Set-Valve			
			1119	691183	Screw (Alternator)			
			1127	695407	Screw (Float Bowl)			
			1139	796449	Washer			
			1146	793380	Screw (Choke Shaft)(Manual Choke)			
			1263	697124	Reed-Breather			
			1264	697104	Screw (Breather Reed)			

★ Included in Engine Gasket Set-Ref. No.358.

● Included in Carburetor Overhaul Kit-Ref. No. 121 or 121A.

◆ Included in Carburetor Gasket Set-Ref. No. 977.

△ Included in Valve Gasket Set-Ref. No 1095.

Illustrations cover a range of engines. Parts shown without corresponding text may not be used on your specific engine.

5174-15

Assemblies include all parts shown in frames.

10/06/2008

Not for
Reproduction



Free Manuals Download Website

<http://myh66.com>

<http://usermanuals.us>

<http://www.somanuals.com>

<http://www.4manuals.cc>

<http://www.manual-lib.com>

<http://www.404manual.com>

<http://www.luxmanual.com>

<http://aubethermostatmanual.com>

Golf course search by state

<http://golfingnear.com>

Email search by domain

<http://emailbydomain.com>

Auto manuals search

<http://auto.somanuals.com>

TV manuals search

<http://tv.somanuals.com>