



122K00

Illustrated Parts List

Model Series

122K00

TYPE NUMBERS
0006 through 3113.

TABLE OF CONTENTS

| | |
|------------------------------|-------|
| Alternator | 6 |
| Air Cleaner | 4 |
| Blower Housing/Shrouds | 5 |
| Camshaft | 2 |
| Carburetor | 3 |
| Controls | 4 |
| Crankshaft | 2 |
| Cylinder | 2 |
| Electric Starter | 6 |
| Electrical | 6 |
| Engine Sump | 2 |
| Exhaust System | 4 |
| Flywheel | 6 |
| Flywheel Brake | 6 |
| Fuel Supply | 3 |
| Governor Spring | 4 |
| Ignition | 6 |
| Kits/Gaskets | 2 & 3 |
| Lubrication | 2 |
| Piston Group | 2 |
| Rewind Starter | 5 |
| Valves | 2 |



PRINTED IN U.S.A.

COPYRIGHT by BRIGGS & STRATTON CORPORATION
All rights reserved. No part of this material may be reproduced or transmitted, in any form or by any means, electronic or mechanical, including photocopying, recording or by any information storage and retrieval system, without permission in writing from Briggs & Stratton Corporation.

122K00

1319 WARNING LABEL



REQUIRED when replacing parts with warning labels affixed.

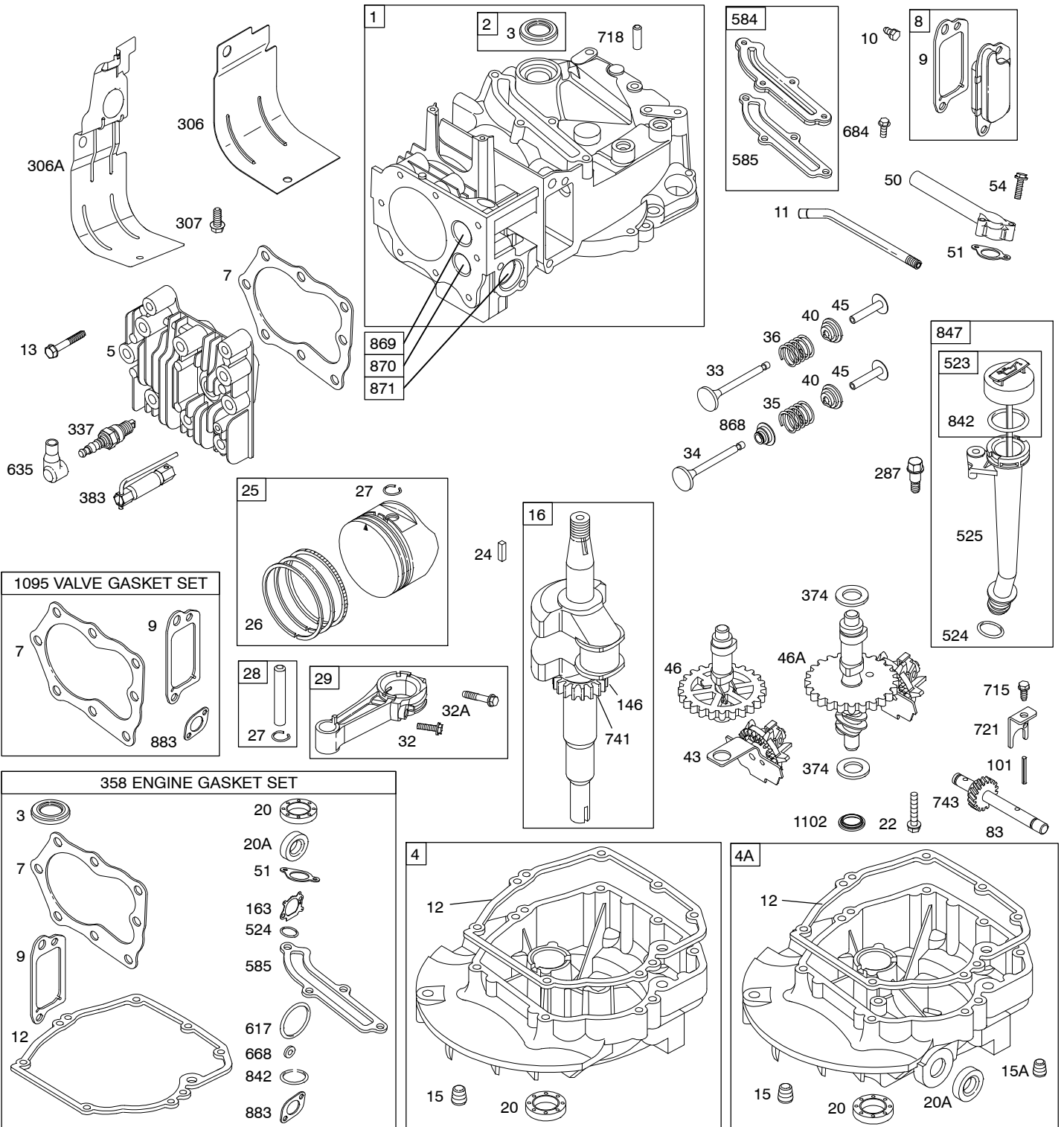
1058 OPERATOR'S MANUAL



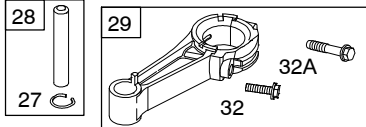
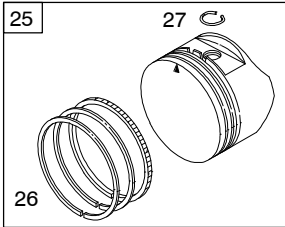
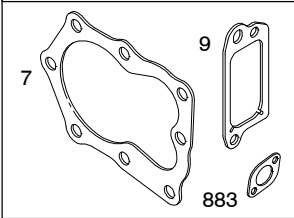
1330 REPAIR MANUAL



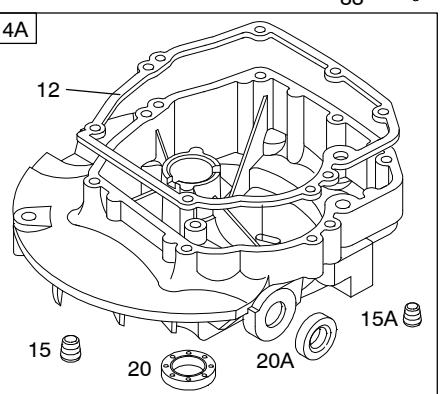
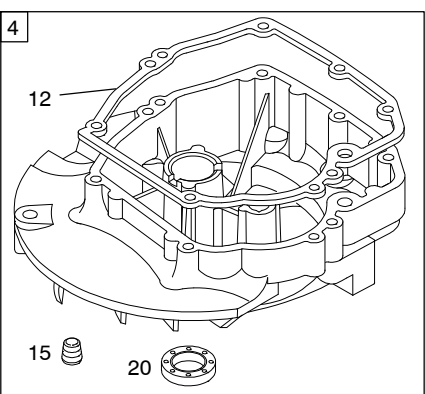
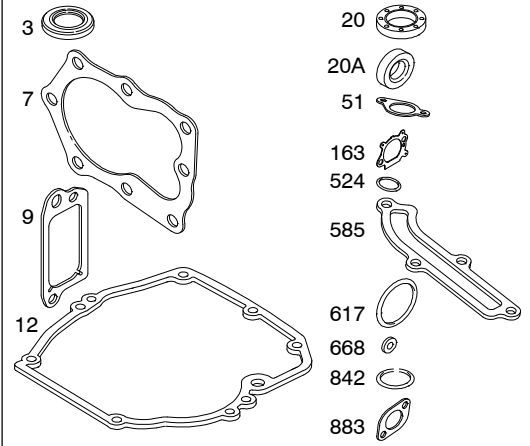
1019 LABEL KIT



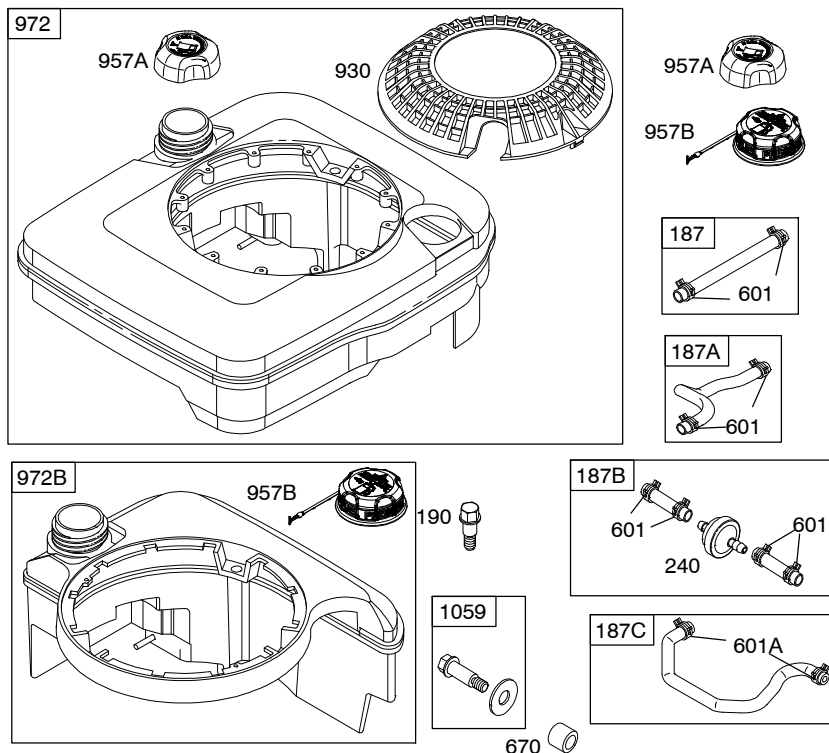
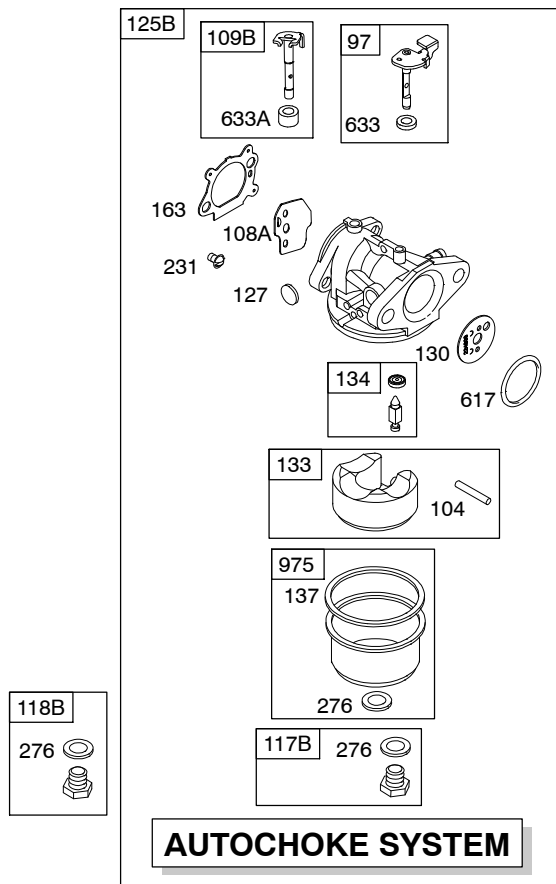
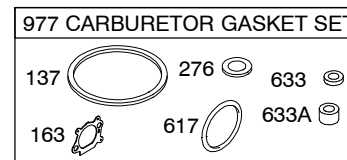
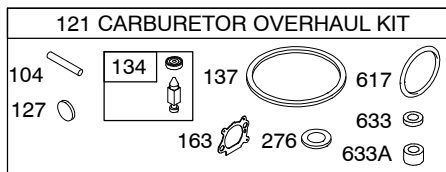
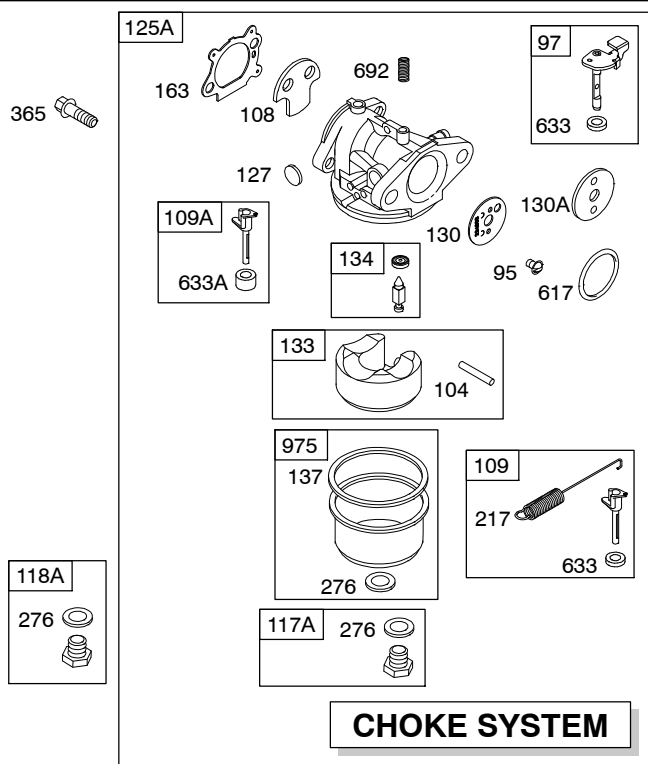
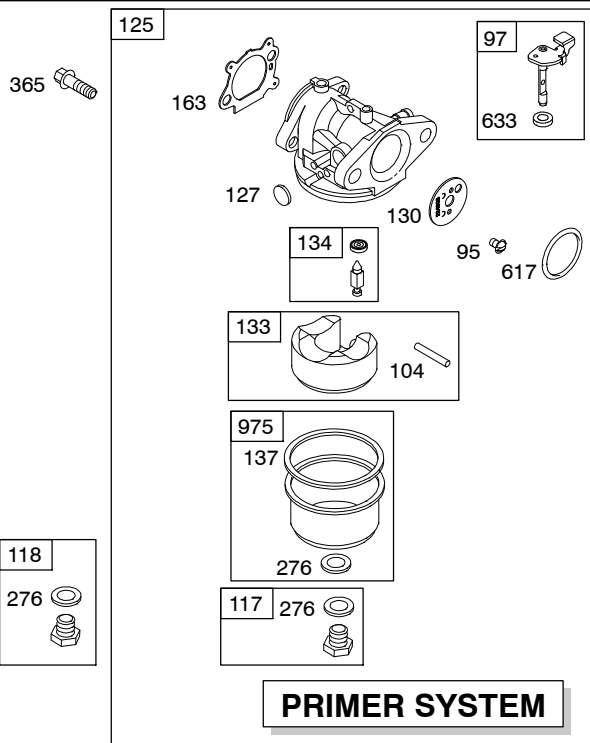
1095 VALVE GASKET SET



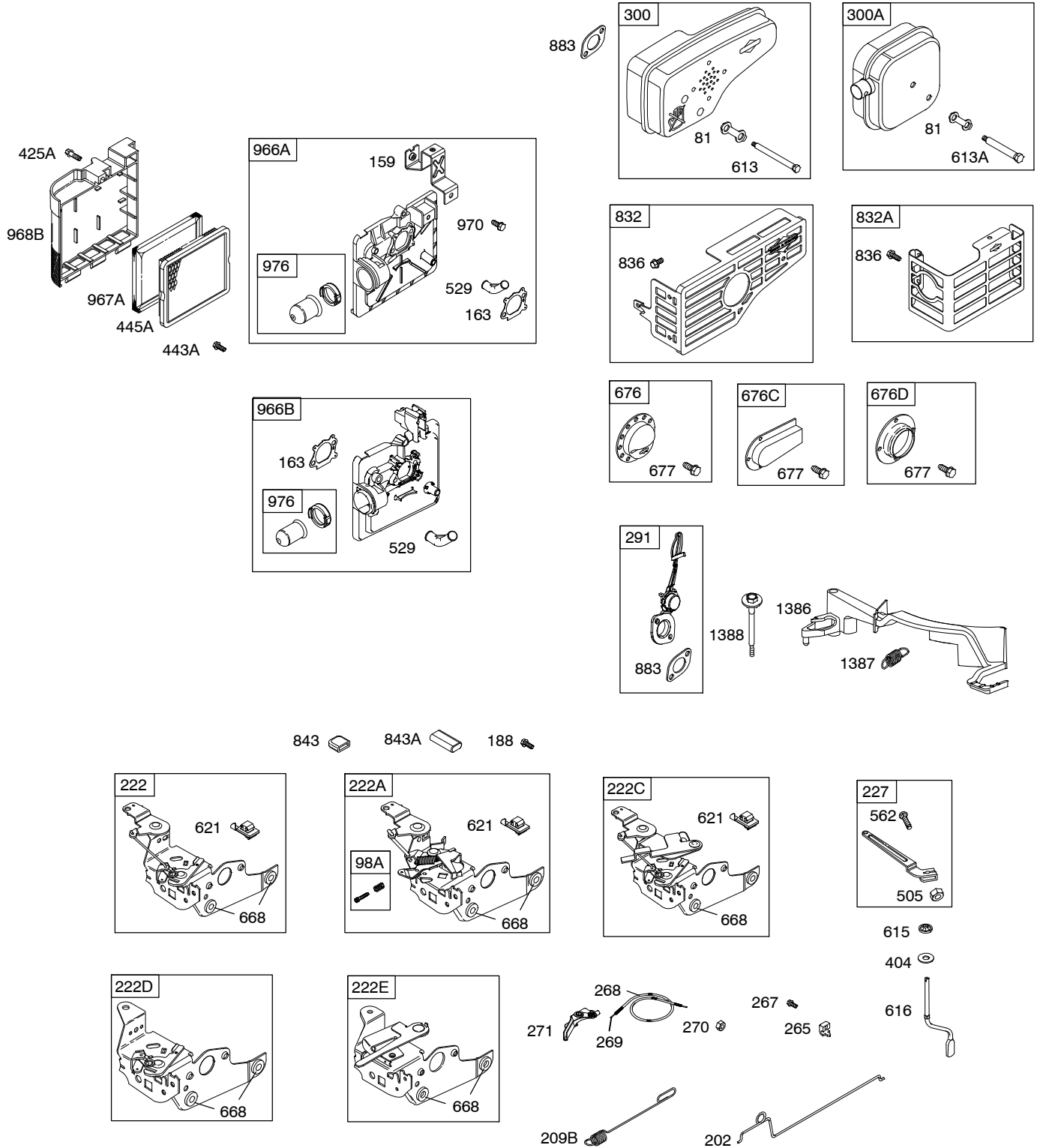
358 ENGINE GASKET SET



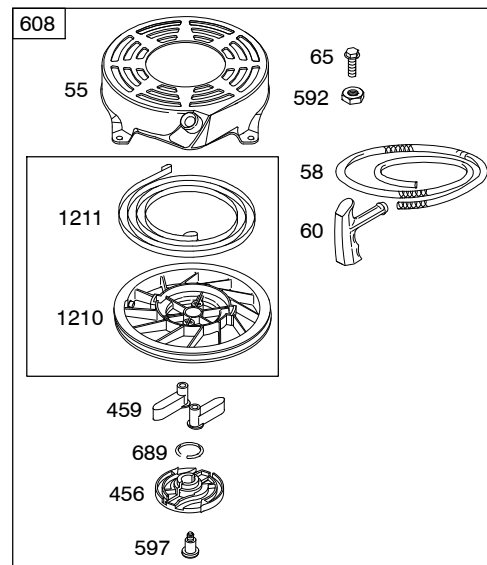
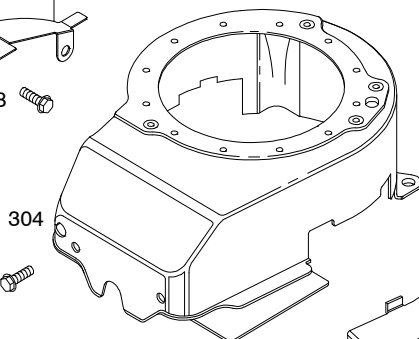
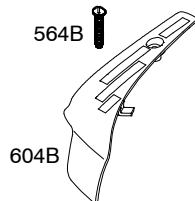
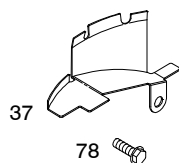
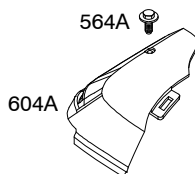
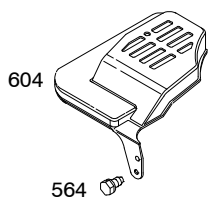
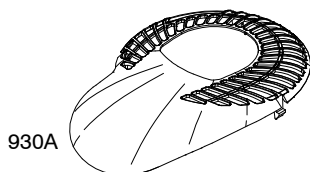
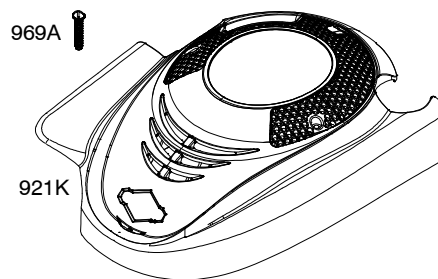
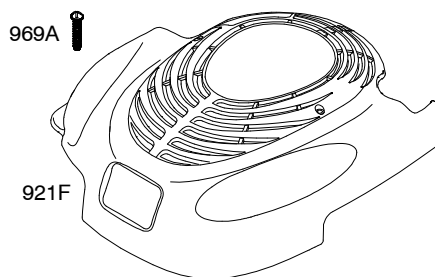
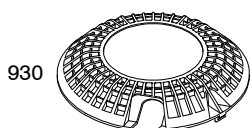
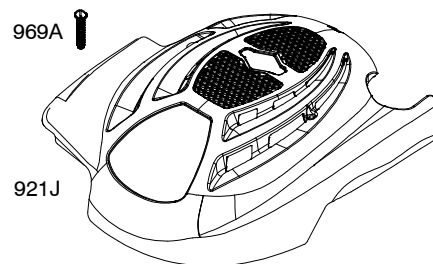
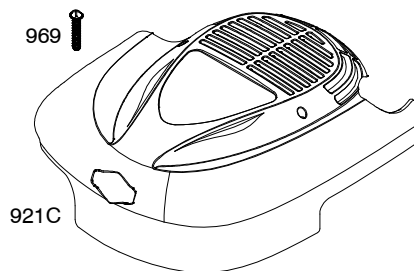
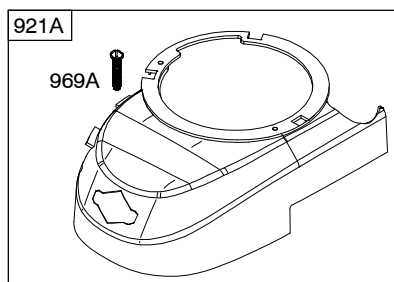
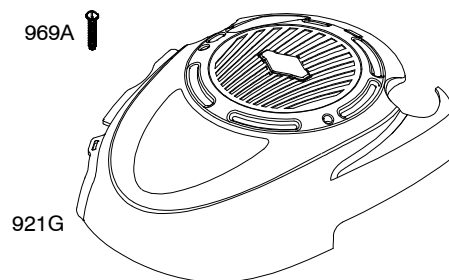
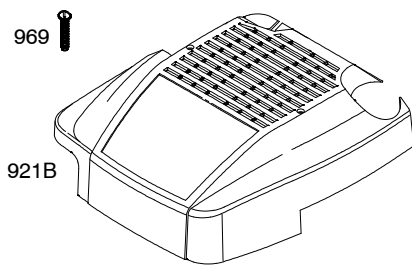
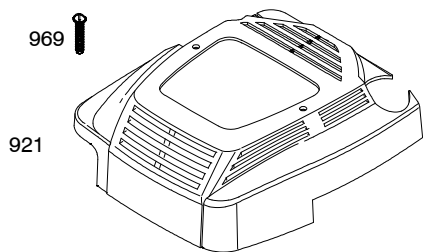
Illustrations cover a range of engines. Parts shown without corresponding text may not be used on your specific engine.
5053-2 Assemblies include all parts shown in frames. **07/09/2008**



Illustrations cover a range of engines. Parts shown without corresponding text may not be used on your specific engine.



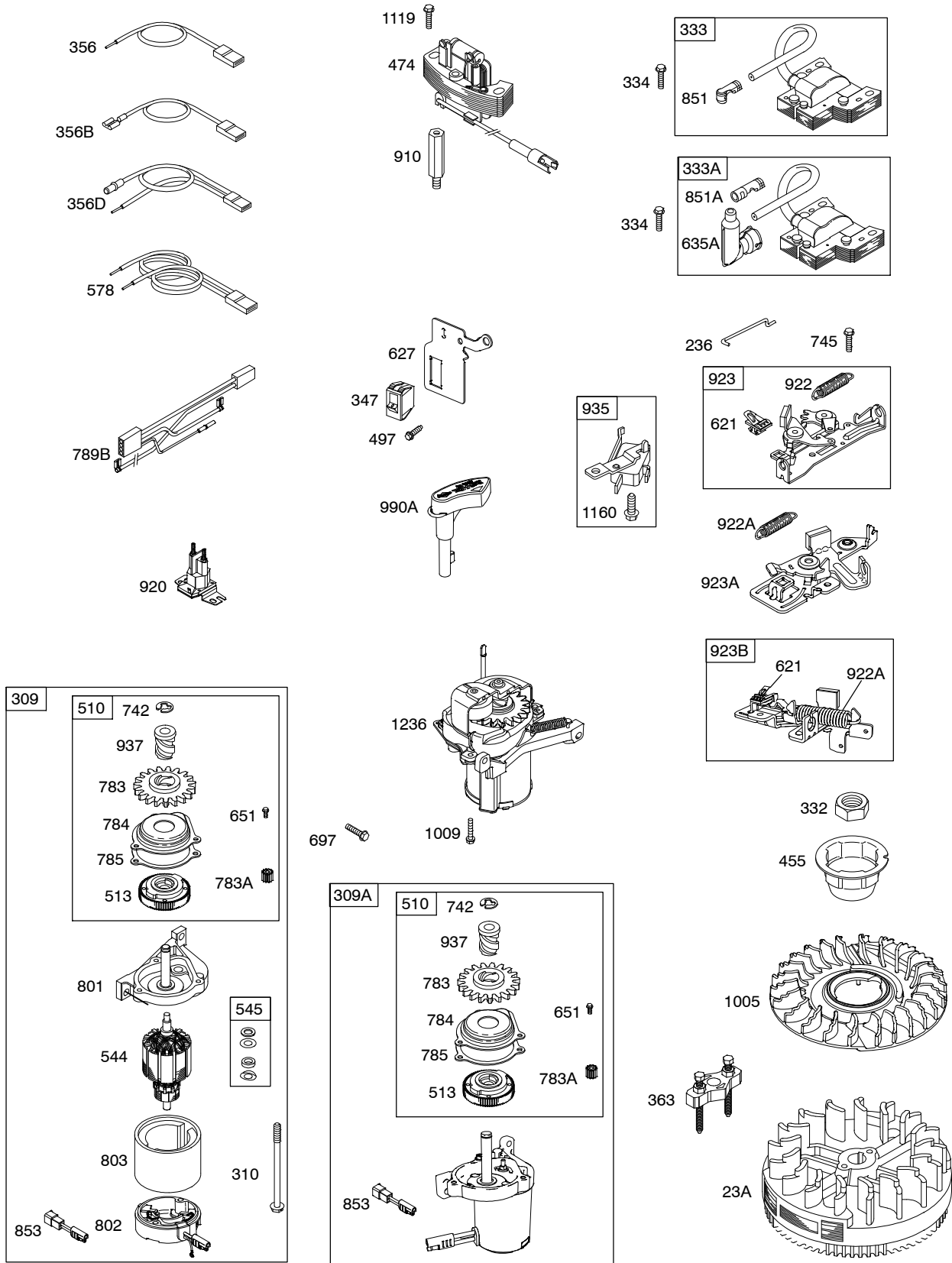
Illustrations cover a range of engines. Parts shown without corresponding text may not be used on your specific engine.
5053-4 Assemblies include all parts shown in frames. **07/09/2008**



1036 EMISSIONS LABEL

Illustrations cover a range of engines. Parts shown without corresponding text may not be used on your specific engine.

122K00



Illustrations cover a range of engines. Parts shown without corresponding text may not be used on your specific engine.
 5053-6 Assemblies include all parts shown in frames. 07/09/2008

| REF. NO. | PART NO. | DESCRIPTION | REF. NO. | PART NO. | DESCRIPTION | REF. NO. | PART NO. | DESCRIPTION |
|----------|----------|---|----------|----------|--|----------|----------|---|
| 1 | 697322 | Cylinder Assembly | 16 | 691451 | Crankshaft | 22 | 691092 | Screw (Crankcase Cover/ Sump) |
| 2 | 399269 | Kit-Bushing/Seal (Magneto Side) | | | ----- Note ----- | | | |
| 3 | ★299819S | Seal-Oil (Magneto Side) | | | 691455 Crankshaft Used on Type No(s). 0006, 0018, 0113, 0122, 0149, 0150, 0152, 0153, 0154, 0217, 0290, 0309, 0329, 0356, 0412, 0518, 3112, 3113. | 23A | 691987 | Flywheel ----- Note ----- |
| 4 | 493279 | Sump-Engine ----- Note ----- 696340 Sump-Engine Used on Type No(s). 0116. 498983 Sump-Engine Used on Type No(s). 0006, 0131, 0154, 3112, 3113. 696294 Sump-Engine Used on Type No(s). 0302. | | | 691450 Crankshaft Used on Type No(s). 0025, 0101, 0340, 0341, 0525, 0572, 0573, 0574, 0577, 0623, 0627, 0628, 0633, 0640, 0680. 691452 Crankshaft Used on Type No(s). 0016, 0141, 0516. | | | 691992 Flywheel Used on Type No(s). 0006, 0114, 0115, 0126, 0129, 0131, 0132, 0134, 0135, 0137, 0138, 0139, 0141, 0154, 0158, 0169, 0217, 0356, 0412, 2349, 3112, 3113. 696291 Flywheel Used on Type No(s). 0302. |
| 4A | 493365 | Sump-Engine (Auxiliary PTO) | | | 691454 Crankshaft Used on Type No(s). 0117, 0119. | 24 | 222698S | Key-Flywheel |
| 5 | 691160 | Head-Cylinder | | | 696009 Crankshaft Used on Type No(s). 0171, 0172. | 25 | 795429 | Piston Assembly (Standard) (Used After Code Date 07090300). ----- Note ----- |
| 7 | ★∅692249 | Gasket-Cylinder Head | | | 691482 Crankshaft Used on Type No(s). 2329, 2334. | | | 791097 Piston Assembly (Standard) (Used Before Code Date 07090400). |
| 8 | 695250 | Breather Assembly | | | 694849 Crankshaft Used on Type No(s). 0126, 0134, 0158, 2349. | | | 795430 Piston Assembly (.020" Oversize) (Used After Code Date 07090300). |
| 9 | ★∅696125 | Gasket-Breather | | | 692717 Crankshaft Used on Type No(s). 0131. | | | 791326 Piston Assembly (.020" Oversize) (Used After Code Date 04102100 and Before Code Date 07040400). |
| 10 | 691125 | Screw (Breather Assembly) | | | 694850 Crankshaft Used on Type No(s). 0132, 0135, 0139. | | | 697341 Piston Assembly (.020" Oversize) (Used Before Code Date 04102200). |
| 11 | 691781 | Tube-Breather | | | 694478 Crankshaft Used on Type No(s). 0353. | | | |
| 12 | ★692232 | Gasket-Crankcase | | | | | | |
| 13 | 690912 | Screw (Cylinder Head) | | | | | | |
| 15 | 691680 | Plug-Oil Drain (Square Socket) | | | | | | |
| 15A | 691093 | Plug-Oil Drain (Hex Socket) | | | | | | |
| | | | 20 | ★399781S | Seal-Oil (PTO Side) | | | |
| | | | 20A | ★691952 | Seal-Oil (PTO Side) (Auxiliary PTO) | | | |

★ Included in Engine Gasket Set-Ref. No.358.

● Included in Carburetor Overhaul Kit-Ref. No. 121.

◆ Included in Carburetor Gasket Set-Ref. No. 977.

∅ Included in Valve Gasket Set-Ref. No 1095.

Illustrations cover a range of engines. Parts shown without corresponding text may not be used on your specific engine.

5053-7

Assemblies include all parts shown in frames.

07/09/2008

122K00

| REF. NO. | PART NO. | DESCRIPTION | REF. NO. | PART NO. | DESCRIPTION | REF. NO. | PART NO. | DESCRIPTION |
|----------|----------|---|----------|----------|---|----------|----------|--|
| 26 | 795431 | Ring Set (Standard) (Used After Code Date 07090300). ----- Note ----- 791098 Ring Set (Standard) (Used After Code Date 04031400 and Before Code Date 07090400). 499425 Ring Set (Standard) (Used Before Code Date 04031500). 795432 Ring Set (.020" Oversize) (Used After Code Date 07090300). 791324 Ring Set (.020" Oversize) (Used After Code Date 04102100 and Before Code Date 07090400). 499427 Ring Set (.020" Oversize) (Used Before Code Date 04102200). | 46 | 691449 | Camshaft | 97 | 493267 | Shaft-Throttle (Metal) ----- Note ----- 696565 Shaft-Throttle (Plastic) |
| | | | 46A | 691460 | Camshaft (Clockwise) Used on Type No(s). 0050. ----- Note ----- 691459 Camshaft (Counterclockwise) Used on Type No(s). 0051, 0117, 0153, 0155. | 98A | 493280 | Kit-Idle Speed |
| | | | | | | 101 | 691623 | Pin-Shaft (Drive Gear) |
| | | | 50 | 497465 | Manifold-Intake | 104 | ●691242 | Pin-Float Hinge |
| | | | 51 | ★272199S | Gasket-Intake | 108 | 691182 | Valve-Choke |
| | | | 54 | 691650 | Screw (Intake Manifold) | 108A | 795935 | Valve-Choke (Used After Code Date 08031200). ----- Note ----- 790844 Valve-Choke (Used Before Code Date 08031300). |
| | | | 55 | 691421 | Housing-Rewind Starter | | | |
| | | | 58 | 697316 | Rope-Starter (Cut To Required Length) | 109 | 494218 | Shaft-Choke |
| | | | 60 | 281434S | Grip-Starter Rope | 109A | 498593 | Shaft-Choke |
| | | | 65 | 690837 | Screw (Rewind Starter) | 109B | 795936 | Shaft-Choke (Used After Code Date 08031200). ----- Note ----- 790843 Shaft-Choke (Used Before Code Date 08031300). |
| | | | 78 | 691108 | Screw (Flywheel Guard) | | | |
| | | | 81 | 691740 | Lock-Muffler Screw | 117 | 498978 | Jet-Main (Standard) ----- Note ----- 494870 Jet-Main (Standard) Used on Type No(s). 0515, 0516, 0518, 0525, 0560. |
| | | | 83 | 690522 | Shaft-Auxiliary Drive Used on Type No(s). 0050, 0051. ----- Note ----- 690527 Shaft-Auxiliary Drive Used on Type No(s). 0153. 691778 Shaft-Auxiliary Drive Used on Type No(s). 0114, 0155. 690521 Shaft-Auxiliary Drive Used on Type No(s). 0117. | | | |
| 27 | 691866 | Lock-Piston Pin | | | | | | |
| 28 | 499423 | Pin-Piston (Standard) | | | | 117A | 498978 | Jet-Main (Standard) ----- Note ----- 498981 Jet-Main (Standard) Used on Type No(s). 0006, 0126, 0129, 0131, 0132, 0134, 0135, 0137, 0138, 0139, 0141, 0154, 0158, 0169, 0217, 0353, 0356, 0412, 2349, 3112, 3113. |
| 29 | 499424 | Rod-Connecting (Standard) | | | | | | |
| 32 | 691664 | Screw (Connecting Rod) | | | | 117B | 697355 | Jet-Main (Standard) |
| 32A | 695759 | Screw (Connecting Rod) | | | | | | |
| 33 | 262651S | Valve-Exhaust | | | | | | |
| 34 | 262652S | Valve-Intake | | | | | | |
| 35 | 691270 | Spring-Valve (Intake) | | | | | | |
| 36 | 691270 | Spring-Valve (Exhaust) | | | | | | |
| 37 | 694086 | Guard-Flywheel | | | | | | |
| 40 | 692194 | Retainer-Valve | 95 | 691636 | Screw (Throttle Valve) | | | |
| 43 | 691997 | Slinger-Governor/Oil | | | | | | |
| 45 | 690548 | Tappet-Valve | | | | | | |

★ Included in Engine Gasket Set-Ref. No.358.

● Included in Carburetor Overhaul Kit-Ref. No. 121.

◆ Included in Carburetor Gasket Set-Ref. No. 977.

⊘ Included in Valve Gasket Set-Ref. No 1095.

Illustrations cover a range of engines. Parts shown without corresponding text may not be used on your specific engine.

5053-8

Assemblies include all parts shown in frames.

07/09/2008

| REF. NO. | PART NO. | DESCRIPTION | REF. NO. | PART NO. | DESCRIPTION | REF. NO. | PART NO. | DESCRIPTION |
|----------|----------|---|----------|----------|---|----------|----------|---|
| 118 | 497466 | Jet–Main (High Altitude) ----- Note ----- 497315 Jet–Main (High Altitude) Used on Type No(s). 0515, 0516, 0518, 0525, 0560. | 127 | ●694468 | Plug–Welch | 209B | 699056 | Spring–Governor ----- Note ----- 691851 Spring– Governor Used on Type No(s). 0110, 0132, 0135, 0177, 0178. 691291 Spring– Governor Used on Type No(s). 0006, 0111, 0114, 0115, 0116, 0117, 0126, 0131, 0134, 0154, 0155, 0158, 0217, 0353, 2349, 3112. 691292 Spring– Governor Used on Type No(s). 0119, 0302, 0309, 0330, 0340, 0341. 691852 Spring– Governor Used on Type No(s). 0171, 0172. 691290 Spring– Governor Used on Type No(s). 0129, 0169, 3113. 793007 Spring– Governor Used on Type No(s). 0138, 0139. 790944 Spring– Governor Used on Type No(s). 0356, 0412. |
| 118A | 498975 | Jet–Main (High Altitude) ----- Note ----- 494870 Jet–Main (High Altitude) Used on Type No(s). 0006, 0126, 0129, 0131, 0132, 0134, 0135, 0137, 0138, 0139, 0141, 0154, 0158, 0169, 0217, 0353, 0356, 0412, 2349, 3112, 3113. | 130 | 696564 | Valve–Throttle | | | |
| 118B | 692677 | Jet–Main (High Altitude) | 130A | 691203 | Valve–Throttle | | | |
| 121 | 498260 | Kit–Carburetor Overhaul | 133 | 398187 | Float–Carburetor | | | |
| 125 | 498170 | Carburetor (Primer System) ----- Note ----- 790821 Carburetor (Primer System) Used on Type No(s). 0515, 0516, 0518, 0525, 0560. | 134 | ●398188 | Kit–Needle/Seat | | | |
| 125A | 499059 | Carburetor (Choke System) ----- Note ----- 790978 Carburetor (Choke System) Used on Type No(s). 0138, 0139. 792253 Carburetor (Choke System) Used on Type No(s). 0006, 0126, 0129, 0131, 0132, 0134, 0135, 0137, 0141, 0154, 0158, 0169, 0217, 0353, 0356, 0412, 2349, 3112, 3113. | 137 | ◆693981 | Gasket–Float Bowl | | | |
| 125B | 790845 | Carburetor (Autochoke System) | 146 | 690979 | Key–Timing | | | |
| | | | 159 | 691753 | Bracket–Air Cleaner Primer | | | |
| | | | 163 | ★◆272653 | Gasket–Air Cleaner | | | |
| | | | 187 | 791766 | Line–Fuel (Cut to Required Length) | | | |
| | | | 187A | 791873 | Line–Fuel (Molded) | | | |
| | | | 187B | 791891 | Line–Fuel (Includes Filter) (Used After Code Date 05063000). ----- Note ----- 692042 Line–Fuel (Includes Filter) (Used Before Code Date 05070100). | | | |
| | | | 187C | 791875 | Line–Fuel (Molded) | | | |
| | | | 188 | 693399 | Screw (Control Bracket) | | | |
| | | | 190 | 690940 | Screw (Fuel Tank) | | | |
| | | | 202 | 691829 | Link–Mechanical Governor | | | |
| | | | | | | 217 | 690354 | Spring–Choke Return |

★ Included in Engine Gasket Set–Ref. No.358.

● Included in Carburetor Overhaul Kit–Ref. No. 121.

◆ Included in Carburetor Gasket Set–Ref. No. 977.

⊘ Included in Valve Gasket Set–Ref. No 1095.

Illustrations cover a range of engines. Parts shown without corresponding text may not be used on your specific engine.

5053–9

Assemblies include all parts shown in frames.

07/09/2008

122K00

| REF. NO. | PART NO. | DESCRIPTION | REF. NO. | PART NO. | DESCRIPTION | REF. NO. | PART NO. | DESCRIPTION |
|----------|----------|--|----------|----------|---|----------|----------|---|
| 222 | 790143 | Bracket-Control (Remote/Manual Friction)(Primer) | 287 | 690940 | Screw (Dipstick Tube) | 305 | 691108 | Screw (Blower Housing) |
| 222A | 692021 | Bracket-Control (Remote Choke A Matic, Non Compliance) | 291 | 790830 | Thermostat | 306 | 690450 | Shield-Cylinder |
| 222C | 692150 | Bracket-Control (Variable Speed) (5 Position Manual Choke) | 300 | 692038 | Muffler (Super Lo Tone) | 306A | 790836 | Shield-Cylinder |
| 222D | 692467 | Bracket-Control (Fixed Speed) | | | ----- Note ----- | 307 | 690345 | Screw (Cylinder Shield) |
| | | ----- Note ----- | | | 790828 Muffler | 309 | 695550 | Motor-Starter (Used Before Code Date 07052900). |
| | | 791128 Bracket-Control (Fixed Speed) Used on Type No(s). 0572, 0573, 0574, 0577, 0623, 0627, 0628, 0633, 0640, 0680. | 300A | 494343S | Muffler (Square Lo Tone) | 309A | 795092 | Motor-Starter (Used After Code Date 07052800). |
| 222E | 692982 | Bracket-Control (Manual Friction 5 Position Manual Choke) | 304 | 695892 | Housing-Blower | | | |
| 227 | 690783 | Lever-Governor Control | | | ----- Note ----- | 310 | 692327 | Bolt (Starter Motor) |
| 231 | 691636 | Screw (Choke Valve) | | | 493293 Housing-Blower | 332 | 690662 | Nut (Flywheel) |
| 236 | 691826 | Link-Lockout | | | Used on Type No(s). 0015, 0016, 0018, 0025, 0050, 0051, 0060, 0113, 0117, 0119, 0122, 0155, 0171, 0172, 0340, 0515, 0516, 0518, 0525, 0560. | 333 | 802574 | Armature-Magneto |
| 240 | 298090S | Filter-Fuel | | | 493294 Housing-Blower | | | ----- Note ----- |
| 265 | 690798 | Clamp-Casing | | | Used on Type No(s). 0006, 0111, 0114, 0115, 0116, 0131, 0132, 0134, 0135, 0139, 0154, 0155, 0158, 0177, 0178, 0217, 0353, 0356, 0412, 2329, 2334, 2349, 3112, 3113. | 333A | 793353 | Armature-Magneto (Snap In Spark Plug Boot) |
| 267 | 691044 | Screw (Casing Clamp) | | | 696298 Housing-Blower | 334 | 691061 | Screw (Magneto Armature) |
| 268 | 691025 | Casing-Control Wire (Cut to Required Length) | | | Used on Type No(s). 0302. | 337 | 802592S | Plug-Spark (Resistor) |
| 269 | 691026 | Wire-Control (Cut to Required Length) | | | 790826 Housing-Blower | | | ----- Note ----- |
| 270 | 691027 | Nut (Control Wire Casing) | | | Used on Type No(s). 0628. | 347 | 691396 | Switch-Rocker |
| 271 | 691028 | Lever-Control | | | 790983 Housing-Blower | 356 | 692390 | Wire-Stop |
| 276 | ◆271716 | Washer-Sealing (Main Jet) | | | Used on Type No(s). 0627. | 356B | 693010 | Wire-Stop |
| | | | | | | 356D | 496381 | Wire-Stop |
| | | | | | | 358 | 497316 | Gasket Set-Engine |
| | | | | | | 363 | 19069 | Flywheel Puller |
| | | | | | | 365 | 691688 | Screw (Carburetor) |
| | | | | | | 374 | 691074 | Washer (Camshaft) |
| | | | | | | 383 | 89838S | Wrench-Spark Plug |
| | | | | | | 404 | 690272 | Washer (Governor Crank) |

★ Included in Engine Gasket Set-Ref. No.358.

● Included in Carburetor Overhaul Kit-Ref. No. 121.

◆ Included in Carburetor Gasket Set-Ref. No. 977.

⊘ Included in Valve Gasket Set-Ref. No 1095.

Illustrations cover a range of engines. Parts shown without corresponding text may not be used on your specific engine.

5053-10

Assemblies include all parts shown in frames.

07/09/2008

| REF. NO. | PART NO. | DESCRIPTION | REF. NO. | PART NO. | DESCRIPTION | REF. NO. | PART NO. | DESCRIPTION |
|----------|----------|------------------------------------|-------------|----------------------------------|--|----------|----------|---|
| 425A | 690670 | Screw (Air Cleaner Cover) | 601 | 791850 | Clamp-Hose | 677 | 690661 | Screw (Muffler Deflector) |
| 443A | 692523 | Screw (Air Cleaner Primer Base) | 601A | 691038 | Clamp-Hose | 684 | 690345 | Screw (Breather Passage Cover) |
| 445A | 491588S | Filter-Air Cleaner Cartridge | 604 | 691757 | Cover-Control | 689 | 691855 | Spring-Detent |
| 455 | 791960 | Cup-Flywheel | 604A | 691344 | Cover-Control | 692 | 690572 | Spring-Friction |
| 456 | 692299 | Plate-Pawl Friction | 604B | 790703 | Cover-Control | 697 | 691127 | Screw (Drive Cap) |
| 459 | 281505S | Plate-Ratchet | 608 | 497680 | Starter-Rewind | 715 | 691147 | Screw (Stop Shaft) |
| 474 | 691991 | Alternator | 613 | 691340 | Screw (Muffler) | 718 | 690959 | Pin-Locating |
| 497 | 690664 | Screw (Stop Switch Bracket) | | | ----- Note ----- 790833 Screw (Muffler) Used on Type No(s). 0627, 0628. | 721 | 690449 | Stop-Shaft |
| 505 | 691251 | Nut (Governor Control Lever) | 613A | 691653 | Screw (Muffler) | 741 | 795755 | Gear-Timing (Plastic) |
| 510 | 795093 | Drive-Starter | 615 | 690340 | Retainer-Governor Shaft | | | ----- Note ----- 794388 Gear-Timing (Use Without Woodruff Key) |
| 513 | 692358 | Clutch-Drive | 616 | 698801 | Crank-Governor | | | (Use Without Woodruff Key) |
| 523 | 499621 | Dipstick | 617★◆270344 | Seal-O Ring (Intake Manifold) | | | | (Used After Code Date 07093000). |
| 524 | ★692296 | Seal-Dipstick Tube | 621 | 692310 | Switch-Stop | | | 790345 Gear-Timing (Use Without Woodruff Key) |
| 525 | 495265 | Tube-Dipstick | 627 | 692872 | Bracket-Stop Switch | | | (Used Before Code Date 07100100). |
| 529 | 691923 | Grommet | | | ----- Note ----- 792565 Bracket-Stop Switch Used on Type No(s). 0126, 0131, 0134, 0158, 0356, 0412, 2329, 2334. | | | 691830 Gear-Timing (Uses Woodruff Key) |
| 544 | 690786 | Armature-Starter | 633 | ◆691321 | Seal-Choke/Throttle Shaft | 742 | 93941 | Retainer-E Ring |
| 545 | 492919 | Washer Set (Starter Motor) | 633A | ◆693867 | Seal-Choke/Throttle Shaft | 743 | 690516 | Gear-Drive (Clockwise) Used on Type No(s). 0050. |
| 562 | 92613 | Bolt (Governor Control Lever) | 635 | 66538S | Boot-Spark Plug | | | ----- Note ----- 691772 Gear-Drive (Counterclockwise) Used on Type No(s). 0051, 0117, 0153, 0155. |
| 564 | 690664 | Screw (Control Cover) | 635A | 793351 | Boot-Spark Plug (Snap On Style) | 745 | 691648 | Screw (Brake) |
| 564A | 691142 | Screw (Control Cover) | 651 | 691660 | Screw (Starter Gear Cover) | 783 | 691918 | Gear-Pinion |
| 564B | 698589 | Screw (Control Cover) | 668 | ★493823 | Spacer (Includes 2) | 783A | 691269 | Gear-Pinion |
| 578 | 398153 | Wire Assembly | 670 | 692294 | Spacer-Fuel Tank | 784 | 795095 | Cover-Starter Gear |
| 584 | 697734 | Cover-Breather Passage | 676 | 396548 | Deflector-Muffler | | | |
| 585 | ★691879 | Gasket-Breather Passage | 676C | 493871 | Deflector-Muffler | | | |
| 592 | 690800 | Nut (Rewind Starter) | 676D | 497682 | Deflector-Muffler | | | |
| 597 | 691696 | Screw (Pawl Friction Plate) | | | | | | |

★ Included in Engine Gasket Set-Ref. No.358.

● Included in Carburetor Overhaul Kit-Ref. No. 121.

◆ Included in Carburetor Gasket Set-Ref. No. 977.

⊘ Included in Valve Gasket Set-Ref. No 1095.

Illustrations cover a range of engines. Parts shown without corresponding text may not be used on your specific engine.

5053-11

Assemblies include all parts shown in frames.

07/09/2008

122K00

| REF. NO. | PART NO. | DESCRIPTION | REF. NO. | PART NO. | DESCRIPTION | REF. NO. | PART NO. | DESCRIPTION |
|--------------|----------|---|----------|----------|---|----------|----------|--|
| 785 | 692352 | Gasket-Starter Cover | 922 | 691831 | Spring-Brake | 966A | 496116 | Base-Air Cleaner Primer |
| 789B | 696547 | Harness-Wiring | 922A | 692135 | Spring-Brake | | | |
| | | ----- Note ----- | 923 | 691994 | Brake | 966B | 792040 | Base-Air Cleaner Primer |
| | | 696546 Harness-Wiring | 923A | 695891 | Brake | | | |
| | | Used on Type No(s). 0135. | | | ----- Note ----- | 967A | 493537S | Filter-Pre Cleaner |
| 801 | 690782 | Cap-Drive | | | 695891 Brake | 968B | 692298 | Cover-Air Cleaner |
| 802 | 695267 | Cap-End | | | (Used Before Code Date 08050100). | 969 | 690700 | Screw (Blower Housing Cover) |
| 803 | 695266 | Housing-Starter | | | Used on Type No(s). 0101, 0112, 0290, 0308, 0309, 0329, 0330, 0337, 0572, 0573, 0574, 0577, 0623, 0628, 0633, 0640, 0680. | 969A | 691138 | Screw (Blower Housing Cover) |
| 832 | 499034 | Guard-Muffler | | | | 970 | 691669 | Screw (Air Cleaner Primer Bracket) |
| 832A | 691424 | Guard-Muffler | | | | 972 | 699392 | Tank-Fuel (Plastic) |
| 836 | 690664 | Screw (Muffler Guard) | 923B | 796136 | Brake | 972B | 699374 | Tank-Fuel ----- Note ----- |
| 842 | ★691031 | Seal-O Ring (Dipstick Tube) | | | (Used After Code Date 08043000). | | | 699387 Tank-Fuel (Plastic) |
| 843 | 691884 | Sleeve-Lever (Control Bracket) | | | Used on Type No(s). 0101, 0112, 0290, 0308, 0309, 0329, 0330, 0337, 0572, 0573, 0574, 0577, 0623, 0628, 0633, 0640, 0680. | | | Used on Type No(s). 0302. |
| 843A | 691895 | Sleeve-Lever (Choke) | | | | 975 | 493640 | Bowl-Float |
| 847 | 692047 | Dipstick/Tube Assembly | | | | 976 | 694395 | Primer-Carburetor |
| 851 | 493880S | Terminal-Spark Plug | | | | 977 | 498261 | Gasket Set-Carburetor |
| 851A | 692424 | Terminal-Spark Plug | | | | 990A | 695951 | Key Set |
| 871 | 262001 | Bushing-Valve Guide (Exhaust) | 925 | 795403 | Cover-Linkage | 1005 | 691346 | Fan-Flywheel |
| | | ----- Note ----- | | | (Used After Code Date 07072200). | 1009 | 696255 | Screw (Starter Motor) |
| | | 63709 Bushing-Valve Guide (Intake) | | | ----- Note ----- | 853 | 695268 | Adapter-Wire |
| 883 ★∅691881 | | Gasket-Exhaust | | | 690595 Cover- Linkage | 868 | 697338 | Seal-Valve |
| 910 | 691094 | Stud (Alternator) | | | (Used Before Code Date 07072300). | 869 | 691155 | Seat-Valve (Intake) |
| 920 | 691656 | Solenoid-Starter | 930 | 691919 | Guard-Rewind (Round) | 870 | 690380 | Seat-Valve (Exhaust) |
| 921 | 497233 | Cover-Blower Housing | 930A | 691345 | Guard-Rewind (Tear Drop) | 1019 | 494256 | Kit-Label ----- Note ----- |
| 921A | 695886 | Cover-Blower Housing | | | | | | 790231 Kit-Label (Touch N Mow) |
| 921B | 692931 | Cover-Blower Housing | | | | | | |
| | | ----- Note ----- | | | | | | |
| | | 692932 Cover-Blower Housing | 935 | 499421 | Switch-Interlock | | | |
| | | Used on Type No(s). 0132, 0135, 0139, 2329, 2334. | 937 | 691325 | Spline-Starter | | | |
| 921C | 695889 | Cover-Blower Housing | 957A | 692046 | Cap-Fuel Tank (Plastic) | | | |
| 921F | 697343 | Cover-Blower Housing | 957B | 699985 | Cap-Fuel Tank (Plastic) | | | |
| 921G | 790701 | Cover-Blower Housing | | | | | | |
| 921J | 790036 | Cover-Blower Housing | | | | | | |
| 921K | 699984 | Cover-Blower Housing | | | | | | |

★ Included in Engine Gasket Set-Ref. No.358.

● Included in Carburetor Overhaul Kit-Ref. No. 121.

◆ Included in Carburetor Gasket Set-Ref. No. 977.

∅ Included in Valve Gasket Set-Ref. No 1095.

Illustrations cover a range of engines. Parts shown without corresponding text may not be used on your specific engine.

5053-12

Assemblies include all parts shown in frames.

07/09/2008

| REF. NO. | PART NO. | DESCRIPTION | REF. NO. | PART NO. | DESCRIPTION | REF. NO. | PART NO. | DESCRIPTION |
|----------|----------|--|----------|----------|---------------------------------------|----------|----------|--|
| 1036 | | Label-Emissions (Available From A Briggs & Statton Authorized Dealer) | 1095 | 498528 | Gasket Set-Valve | 1236 | 695959 | Starter-Machanical (Touch N Mow) |
| 1058 | 277039 | Operator's Manual ----- Note ----- 277101 Operator's Manual (Touch N Mow) | 1102 | 691255 | Pilot-Guide | | | (Do Not Service Individual Parts, Only As A Whole) |
| 1059 | 692311 | Kit-Screw/Washer ----- Note ----- 696293 Kit-Screw/ Washer (Touch N Mow) | 1119 | 692979 | Screw (Alternator) | 1319 | 794467 | Label-Warning |
| | | | 1160 | 690345 | Screw (Interlock Switch) | 1330 | 270962 | Manual-Repair |
| | | | 1210 | 498144 | Pulley/Spring Assembly (Pulley) | 1386 | 790848 | Vane-Air (Autochoke System) |
| | | | 1211 | 498144 | Pulley/Spring Assembly (Spring) | 1387 | 790849 | Spring-Air Vane |
| | | | | | | 1388 | 790850 | Screw (Air Vane) |

★ Included in Engine Gasket Set-Ref. No.358.

● Included in Carburetor Overhaul Kit-Ref. No. 121.

◆ Included in Carburetor Gasket Set-Ref. No. 977.

∅ Included in Valve Gasket Set-Ref. No 1095.

Illustrations cover a range of engines. Parts shown without corresponding text may not be used on your specific engine.

5053-13

Assemblies include all parts shown in frames.

07/09/2008

Free Manuals Download Website

<http://myh66.com>

<http://usermanuals.us>

<http://www.somanuals.com>

<http://www.4manuals.cc>

<http://www.manual-lib.com>

<http://www.404manual.com>

<http://www.luxmanual.com>

<http://aubethermostatmanual.com>

Golf course search by state

<http://golfingnear.com>

Email search by domain

<http://emailbydomain.com>

Auto manuals search

<http://auto.somanuals.com>

TV manuals search

<http://tv.somanuals.com>