

INSTALLATION INSTRUCTIONS

CHIPPER/SHREDDER VACUUM KIT
Mfg. Nos. 1692210, 1692231, 1692353, 9000100

⚠ WARNING

Turn off the engine, let the rotor come to a complete stop and disconnect the spark plug wire before assembling the vacuum kit or changing attachments.

⚠ WARNING

Never remove adapter from the back of the machine while the machine is running or the rotor is turning. The rotor is pinning just inches away from the adapter inlet. Serious injury will result if you put your fingers or foot in the adapter inlet while the rotor is turning!

⚠ WARNING

Never operate the machine without the coupler/hose assembly or plug connected to the adapter.

arrows (or seams) running along the top of the coupler with those on the adapter. Push fully in and turn until it snaps into place.

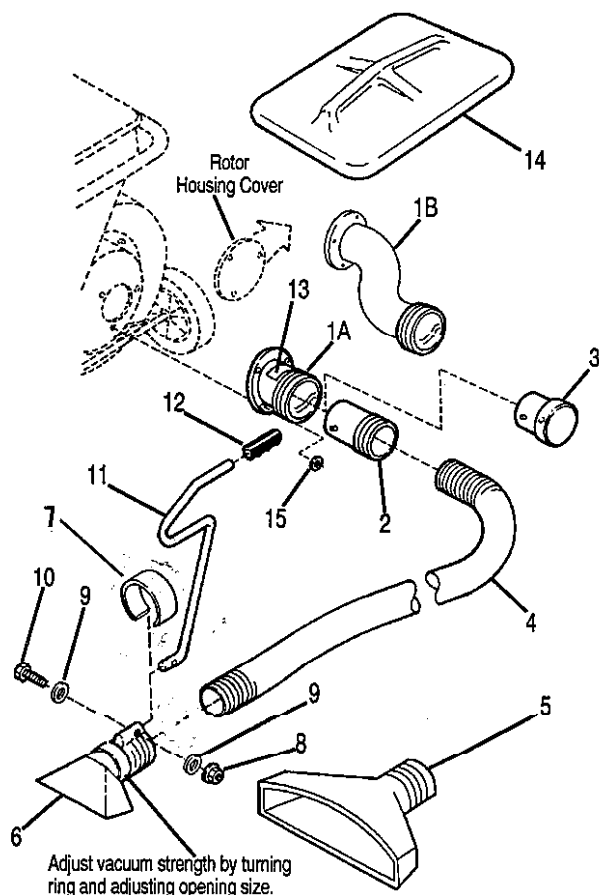
NOTE: Insert plug (3) into adapter when vacuum attachment is not in use. See *Removing the Vacuum Kit on the next page.*

INSTALLATION

1. Remove the rotor housing cover. Retain the screws.
2. Replace the cover with the adapter (1A or 1B) using the screws removed in step 1 and washers (15).
3. Twist the coupler (2) onto the end of the hose (4). Insert the coupler into the adapter by aligning the
4. Slip the grip (12) onto the handle (11). Putting some soap on the handle will make the grip slide on easier.
5. Connect the handle to the nozzle (6) using the screw (10), washers (9) and nut (8).
6. Connect nozzle (6) or leaf tray (5) to the hose.
7. Securely place hopper lid (14) on hopper.

Ref.	Qty.	Part No.	Description
1A	1	1021100	Adapter
1B	1	1713522	Adapter (European Model)
2	1	1023100	Coupler
3	1	1025100	Plug
4	1	1035100	Hose, 10' x 4" Dia.
5	1	1027100	Leaf Tray
6	1	1030100	Nozzle
7	1	1024100	Ring
8	1	1960294	Nut, Hex, Flange, 1/4-20
9	1	1921319	Washer, 1/4
10	1	6041612	Screw, Phillips Hd. 1/4-20 x 1-1/2
11	1	1026100	Handle
12	1	1028100	Grip, Handle
13	1	5001612	Decal, Danger
14	1	1709404*	Hopper Lid (Orange)
	1	1019100*	Hopper Lid (Gold)
	1	1709467*	Hopper Lid (Red)
15	3	1919326	Washer, Flat

* Lid color depends on which kit you've ordered. Only one lid is packaged per kit.



*2480

Figure 1. Kit Parts

FORM - 1709566
PRINTED IN U.S.A.
12/93-SMI

USING THE VACUUM

The vacuum kit lets you take full advantage of the vacuum created by the four fan blades on the rotor fly-wheel. Placing the lid on the hopper directs the suction power to the hose inlet at the bottom of the housing.

Use the vacuum kit to conveniently rake dry leaves and grass clippings into the leaf tray, where the material is sucked through the vacuum hose, shredded in the shredding chamber and expelled out the discharge chute. The hopper lid must be in place for the vacuum to work properly. The clear vacuum hose allows you to monitor the flow of material. The **vacuum** kit works best on dry leaves,

The nozzle and handle can be attached to the end of the hose for, hard to reach places. The strength of the vacuum can be adjusted by turning the sleeve on the nozzle end. Open the sleeve fully for minimum suction power to vacuum leaves over a garden area.

VACUUMING TIPS

- Keep the hose straight for best performance.
- Rake leaves into the tray at a steady rate so that the engine or motor runs at an even level. For best results, do not cram the tray full of leaves.
- Avoid items, such as twigs, that can get caught in the hose.
- If material is wet, allow to dry before vacuuming.

REMOVING THE VACUUM KIT

1. When not using the vacuum kit, turn off the engine, let the motor come to a complete, stop and disconnect the spark plug wire.
2. Rotate the coupler/hose assembly until the seams line up on top, pull until it clicks then unscrew and remove.
3. Insert the plastic plug (3) into the adapter and twist until it seats completely

Free Manuals Download Website

<http://myh66.com>

<http://usermanuals.us>

<http://www.somanuals.com>

<http://www.4manuals.cc>

<http://www.manual-lib.com>

<http://www.404manual.com>

<http://www.luxmanual.com>

<http://aubethermostatmanual.com>

Golf course search by state

<http://golfingnear.com>

Email search by domain

<http://emailbydomain.com>

Auto manuals search

<http://auto.somanuals.com>

TV manuals search

<http://tv.somanuals.com>