

# CHIPPER VACUUM PARTS MANUAL

## **5 HP Manual Start**

Mfg. No. 1692371

Mfg. No. 1692372

## **8 HP Manual Start**

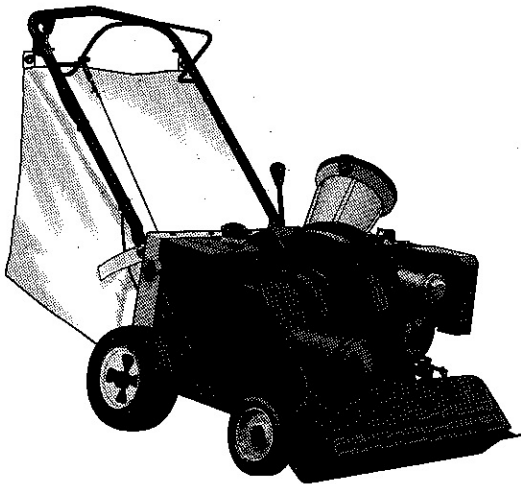
Mfg. No. 1692373

Mfg. No. 1692374

## **8 HP Electric Start**

Mfg. No. 1692466

Mfg. No. 1692467



### Product Identification:

When ordering parts, keep your products serial number and manufacturer's number in mind. Variations may occur in a part between early & later model products, causing the product serial number to be listed in the parts description whenever these variations occur.

Record your I.D. numbers here for quick, future reference.

Product Mfg. No. \_\_\_\_\_ S/N \_\_\_\_\_ Mower Mfg. No. \_\_\_\_\_ S/N \_\_\_\_\_

### Attention:

Standard torques appear in a chart at the end of the manual, while important individual torques are given on specific parts drawings.

CRITICAL and MAJOR notations point out important facts or instructions which relate to personal safety and proper machine operation. Any CRITICAL notation **C** which may appear in this book, pinpoints characteristics which, if not properly followed, can create a safety hazard. Any MAJOR notation **M** which may appear in this book, marks characteristics which, if not properly followed, may result in operating failure, shortened product life, or greatly reduced quality of the unit. For your convenience, assembly notes are included in parts drawings to assist in repair and assembly of unit.

## SIMPLICITY BRAND PRODUCTS

### OILS - SPECIFICALLY BLENDED OF HIGH QUALITY BASE OILS & ADDITIVES.

**Special Worm Gear Oil:** Required for protection of brass gears and mating parts.

- Cold Weather Worm Gear Oil for snowthrowers with worm gear drive. 8 Oz. Bottle, Part #1704638, Case of 12-8 Oz. Bottles, Part #1685406.

**Multi-Purpose Hydraulic/Transmission Oil** for use in most hydraulic applications, and hydrostatic transmissions. Specific Simplicity applications: All hydrostatic transmissions, all bevel gear cases. Case of 12 Quarts, Part #1685516, 2-1/2 Gallon Container, Part #1685539.

**SAE 5W-30 SF/CD Cold Weather Engine Oil** for use in all four cycle and diesel engines at 30° temp. and under. Case of 12 quarts, Part #1685576.

**SAE 15W-40 SF/CD Engine Oil** for gas and diesel engines, warm weather; see engine manufacturer recommendations. Case of 12 quarts, Part #1685554.

**SAE 30W SG/CC Detergent Engine Oil** for use in four cycle lawn and garden engines at operating temp. of 32° and above. Also recommended for use in hydrostatic transmissions where 30W oil is specified. Case of 12 quarts, Part #1685659.

**DEGREASER, DEGRIMER, PARTS CLEANER** removes grease, oil, dirt and grime without harming paint or decals.

1 Quart w/Trigger Spray	1685619
1 Gallon Bottle	1685621
Extension Sprayer for Gallon Bottle	1685623

**TOUCH-UP PAINT** keeps equipment in showroom condition.

Spray Cans	Quarts	Daubers-12 Per Ctn.
<i>For Products Built After 8/1/89.</i>		
"Deep Orange" 13 Oz. Can 1685611 Case 12 Cans 1685614	1685612	1685616 Mixed 6 Deep Or./ 6 White 1/2 Oz. Bottles
"Gloss Black" 13 Oz. Can 1685639 Case 12 Cans 1685640	1685641	N/A
"White" 13 Oz. Can 103049 Case 12 Cans 1685178	1685032	See Above
"Red" 13 Oz. Can 1685722	N/A	N/A

*Consult decal on equipment for proper color.*

## AVAILABLE ACCESSORIES:

**DESIGNER SEAT COVERS** are double stitched, easy care vinyl. Keeps new seats new, makes worn seats look new.

**Small Seat Cover w/Pocket, Part #1685540.** Fits all Rear Engine Riders, FC, RT Series Tractors.

**Large Seat Cover w/Pocket, Part #1685541.** Fits all 12.5 & 16 LT and GT Series Tractors.

**Seat Cover, Part #1685577.** Fits all 18 & 20 GTH Tractors.

**PNEUMATIC TIRE SEAL** seals all leaks including bead leaks and punctures up to 3/16 inch diameters. Prevents flats for tread life of tire. Available in following amounts.

Case of 12 -11 Oz. Tubes	1685537
Case of 24 -11 Oz. Tubes	1685525
5 Gallon Pail	1685527

**HOUR METER KIT, Part #1685535.**

**GREASE GUN KIT** has 12" flexible hose to get into tight spots with ease. Kit contains: gun and 1-8 Oz. tube of grease. Part #1685510. For replacement tube, order Part #103077.

**CHROME "Moon" Hubcaps**

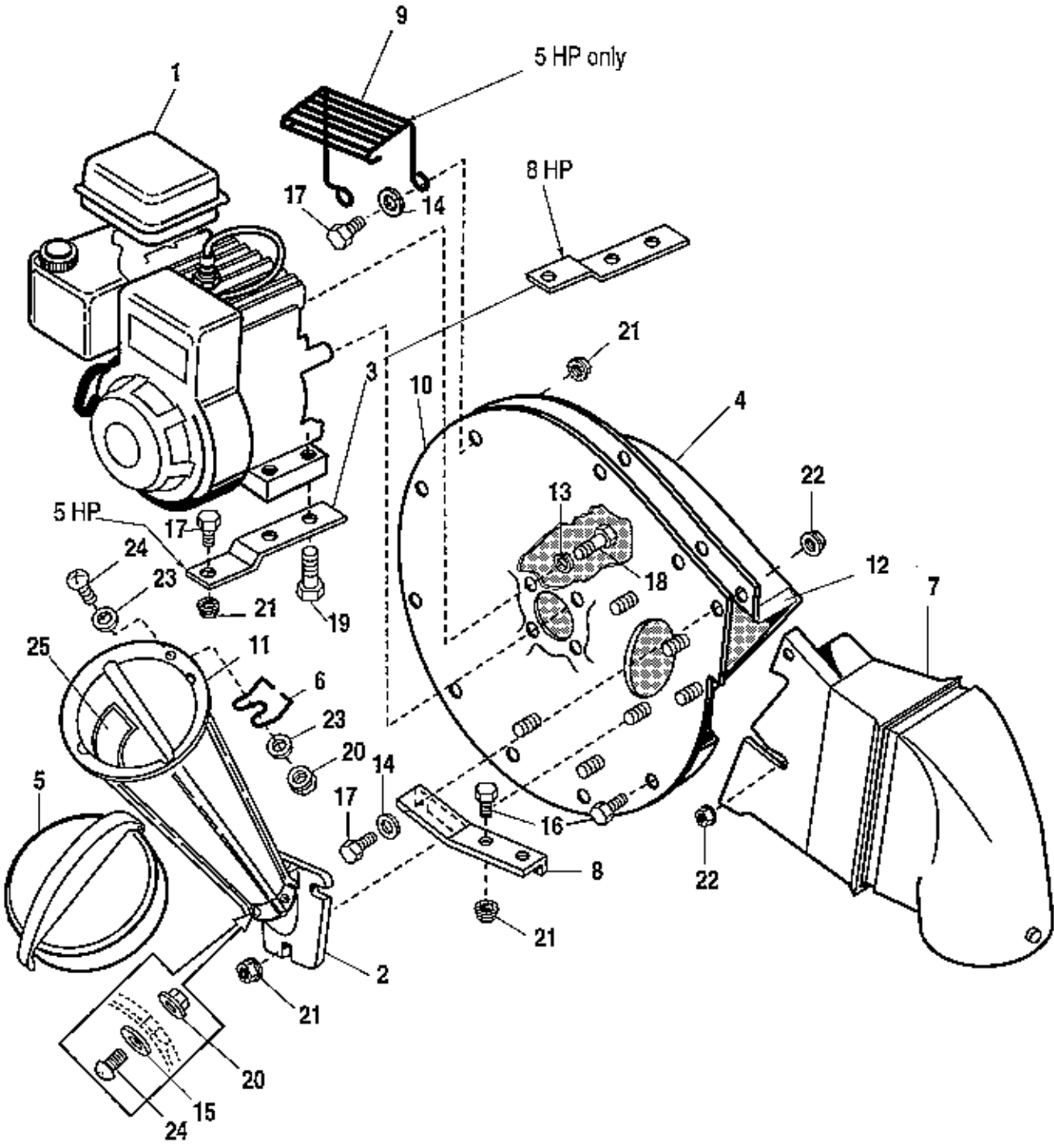
4" Rim	163114
6" Rim	156210
8" Rim	156211
10" Rim	1667782
12" Rim	154505

**Extend Equipment Life - Use Only Genuine Simplicity Parts & Accessories  
Available at Your Local Simplicity Dealer**

# Table of Contents

---

<b>ENGINE, CONE &amp; PLATE ASSEMBLIES.....</b>	<b>2</b>
<b>FRAME &amp; FRONT WHEELS GROUP .....</b>	<b>4</b>
<b>BATTERY &amp; FUEL TANK GROUP.....</b>	<b>6</b>
<b>NOZZLE &amp; FLAP ASSEMBLIES .....</b>	<b>8</b>
<b>HOUSING GROUP .....</b>	<b>10</b>
<b>HANDLES &amp; CONTROLS GROUP.....</b>	<b>12</b>
<b>ROTOR GROUP.....</b>	<b>14</b>
<b>TRANSMISSION &amp; REAR WHEELS GROUP .....</b>	<b>16</b>
<b>TRANSMISSION: CASE &amp; INPUT SHAFT .....</b>	<b>18</b>
<b>TRANSMISSION: REDUCTION SHAFT ASSEMBLY .....</b>	<b>20</b>
<b>TRANSMISSION: SHIFT SHAFT ASSY .....</b>	<b>22</b>
<b>TRANSMISSION: RANGE SHIFT ASSEMBLY .....</b>	<b>24</b>
<b>VACUUM HOSE Kit (Optional).....</b>	<b>26</b>
<b>PART NUMBER INDEX .....</b>	<b>A1</b>



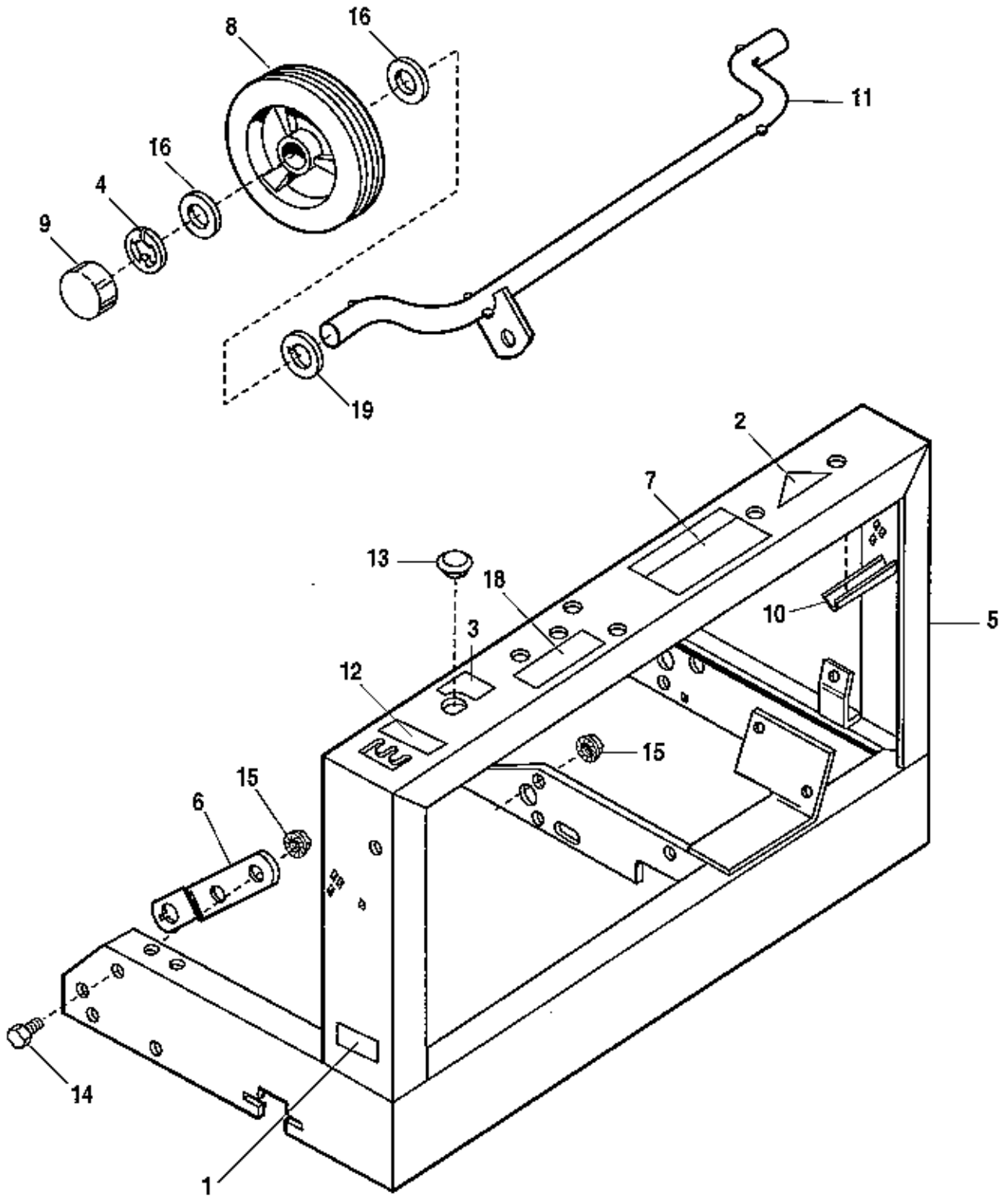
**All Models**

**Engine, Cone & Plate Assemblies**

Ref. No.	Part No.	Qty.	Description
1		1	ENGINE, 5 HP (Briggs & Stratton)
		1	ENGINE, 8 HP (Briggs & Stratton)
		1	ENGINE, 8 HP, Electric Start, (Briggs & Stratton)
2	1713272	1	CASTING, Cone, 3"
3	1713864	1	ENGINE SUPPORT, 5 HP
	1713865	1	ENGINE SUPPORT, 8 HP
4	1713866	1	FAN HOUSING ASSY.
5	1713868	1	CAP, Cone
6	1713869	1	HINGE, Cap
7	1713870	1	TUBE, Discharge
8	1713872	1	BRACE
9	1714033	1	GUARD, Muffler (5 HP only)
10	1714085	1	PLATE ASSY., Engine
11	1714090	1	CONE, 3", Orange
	1714091	1	CONE, 3", Yellow
12	1714344	2	SEAL, Fan Housing
13	1917356	4	LOCKWASHER, 5/16
14	1919326	3	WASHER, 5/16 (Qty. 1 used on 8 HP models)
15	1921319	4	WASHER, 1/4
16	1921332	11	CAPSCREW, Hex Hd., 5/16-18 x 3/4 (Qty. 9 used on 5 HP models)
17	1921333	4	CAPSCREW, Hex Hd., 5/16-18 x 1 (Qty. 2 used on 8 HP models)
18	1921515	4	CAPSCREW, Hex Hd., 5/16-24 x 3/4
19	1928635	2	SCREW, Taptite, 3/8-16 x 1-1/4 (Manual start models only)
20	1930642	5	NUT, 2 Way Lock, 1/4 x 20
21	1931277	16	NUT, Serrated Flange Lock., 5/16-18
22	1928635	2	SCREW, Taptite, 3/8-16 x 1-1/4 (Manual start models only)
	960361	2	SCREW, Taptite, 3/8-16 x 2 (Electric start models only)
23	1960151	2	WASHER, 1/4
24	1960507	5	SCREW, Button Hd. 1/4 x 3/4
25	5001612	1	DECAL, Danger

Ref. No. 25





**All Models**

**Frame & Front Wheels Group**

Ref. No.	Part No.	Qty.	Description
1		1	I.D. PLATE, (Not serviced)
2		1	DECAL, OPEI, (Not serviced)
3	174885	1	FILM, Ignition (Electric start models only)
4	1704420	2	KLIP RING, External (for 5/8 Shaft)
5	1713873	1	FRAME ASSY.
6	1713884	2	BRACKET Axle
7	1713885	1	DECAL, Operating Instructions
8	1713935	2	WHEEL, Front, 8 x 1-3/4
9	1713936	2	HUBCAP, Front Wheels
10	1714032	1	EDGE PROTECTOR
11	1714034	1	AXLE ASSY., Front
12	1714343	1	DECAL, Nozzle height
13	1714480	1	PLUG, Hole, Double "D" (Manual start models only)
14	1921332	4	CAPSCREW, Hex Hd., 5/16-18 x 3/4
15	1931277	6	NUT, Serrated, Flange Lock, 5/16-18
16	1960020	4	WASHER, 5/8
17	1960537	1	WASHER, Keyhole
18	5001612	1	DECAL, Danger

Ref. No. 7

**⚠ CAUTION ⚠**

**OPERATE THIS EQUIPMENT IN A SAFE MANNER & ACCORDING TO THE OPERATOR'S MANUAL, TO AVOID SERIOUS PERSONAL INJURY.**

- USE PROPER SAFETY GOGGLES, NEVER WEAR LOOSE CLOTHING.
- KEEP OBSERVERS CLEAR OF ENTIRE OPERATING AREA.
- KEEP HANDS, FEET, AND FACE CLEAR FROM INLET & DISCHARGE OPENING WHEN EQUIPMENT IS OPERATING.
- DO NOT OPERATE WITHOUT A VACUUM HOSE OR PLUG ATTACHED.
- BEFORE CLEARING BLOCKAGE OR CHANGING VACUUM ATTACHMENTS, STOP THE ENGINE, DISCONNECT SPARK PLUG WIRE AND WAIT FOR ALL MOVING PARTS TO STOP.

Ref. No. 18

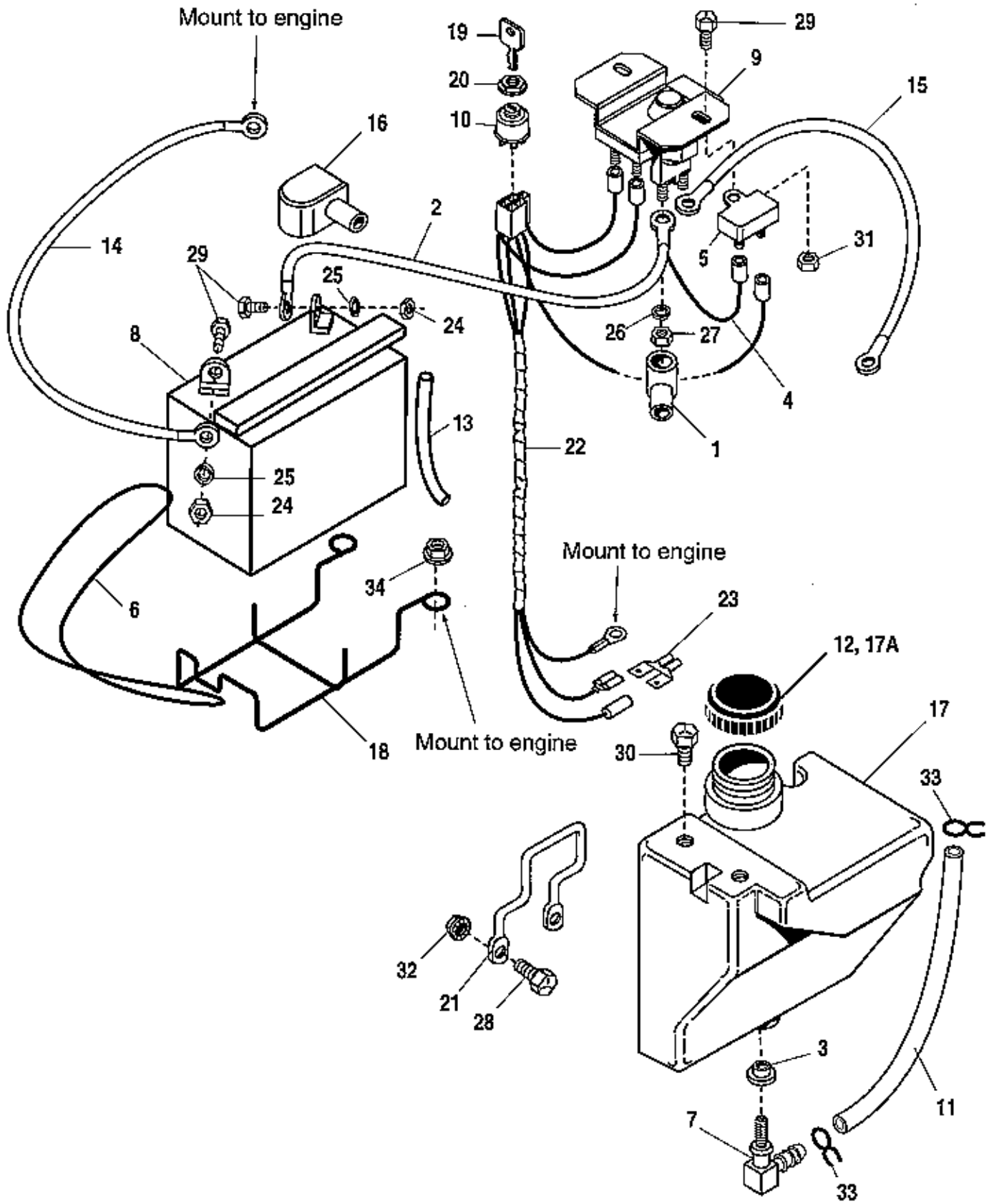
**⚠ DANGER**

**ROTATING CUTTERS**



**KEEP HANDS AND FEET OUT OF THE DISCHARGE AREA AND INLETS!**

**SERIOUS PERSONAL INJURY MAY RESULT!**

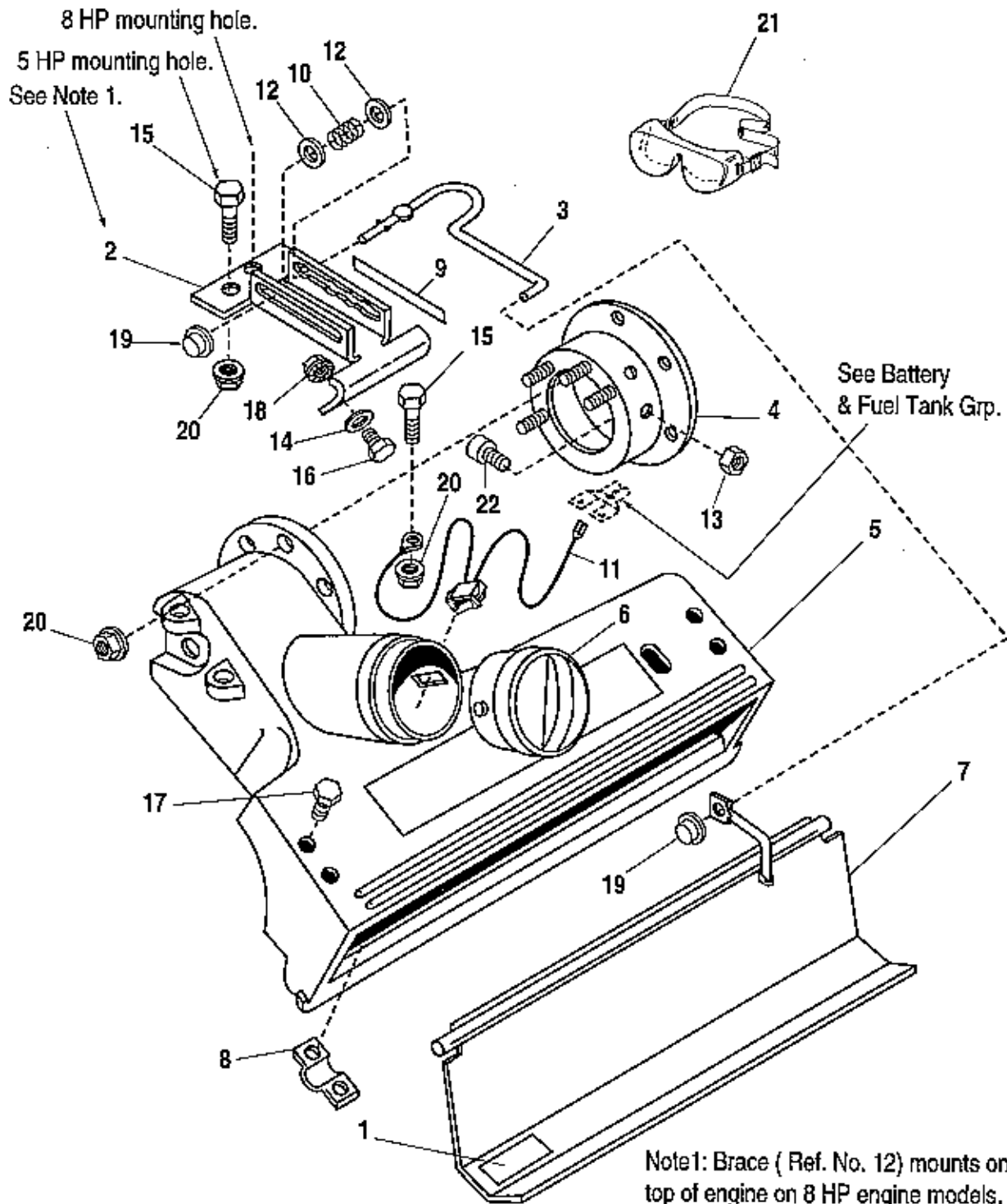




**Battery & Fuel Tank - 8 HP Models**

Ref. No.	Part No.	Qty.	Description
1	122023 *	3	COVER, Terminal
2	1603618*	1	WIRE, Battery to Solenoid, 8"
3	1654930	1	BUSHING, Fuel Tank
4	1665237*	1	WIRE, Circuit Breaker to Tab Adapter
5	1665238*	1	CIRCUIT BREAKER
6	1665872	1	STRAP, Battery
7	1674792	1	ELBOW, Fuel Tank
8	1685215*	1	BATTERY
9	1685290*	1	SOLENOID
10	1686637*	1	IGNITION SWITCH
11	1701841	1	HOSE, Fuel Tank
12	1704366	1	CAP, Fuel Tank, (w/ built in fuel gauge)
13	1704389*	1	HOSE, Drain, 9"
14	1707056 <sup>1</sup>	1	WIRE, Battery to Gound, 15"
15	1707056*	1	WIRE, Solenoid to Starter, 15"
16	1709086*	1	BOOT, Battery
17	1713945	1	FUEL TANK
17A	1714020	1	CAP, Fuel Tank, vented
18	1714031*	1	SUPPORT, Battery
19	1714054*	2	KEY, Ignition Switch
20	1714055*	1	NUT, Ignition Switch
21	1714063	1	SUPPORT, Fuel Tank
22	1714093*	1	WIRING HARNESS
23	1714438*	1	TAB, Adapter
24	1916622*	3	NUT, Hex, 1/4-20
25	1916964*	3	LOCKWASHER, 1/4
26	1917356*	2	LOCKWASHER, 5/16
27	1920263*	2	NUT, Hex, 5/16-24
28	1921332	2	CAPSCREW, Hex Hd., 5/16-18 x 3/4
29	1923341*	6	CAPSCREW, Hex Hd. 1/4-20 x 3/4
30	1931648	2	SCREW, Hex Whizlock, 5/16-18 x 1/2
31	1930642*	2	NUT, 2-way Lock, 1/4-20
32	1931277	2	NUT, Serrated, Flange Lock, 5/16-18
33	1960112	2	CLAMP, Hose
34	1960339*	2	NUT, Hex, Large Flange, "C" Lock, 3/8-16

\* Used on electric start models only.



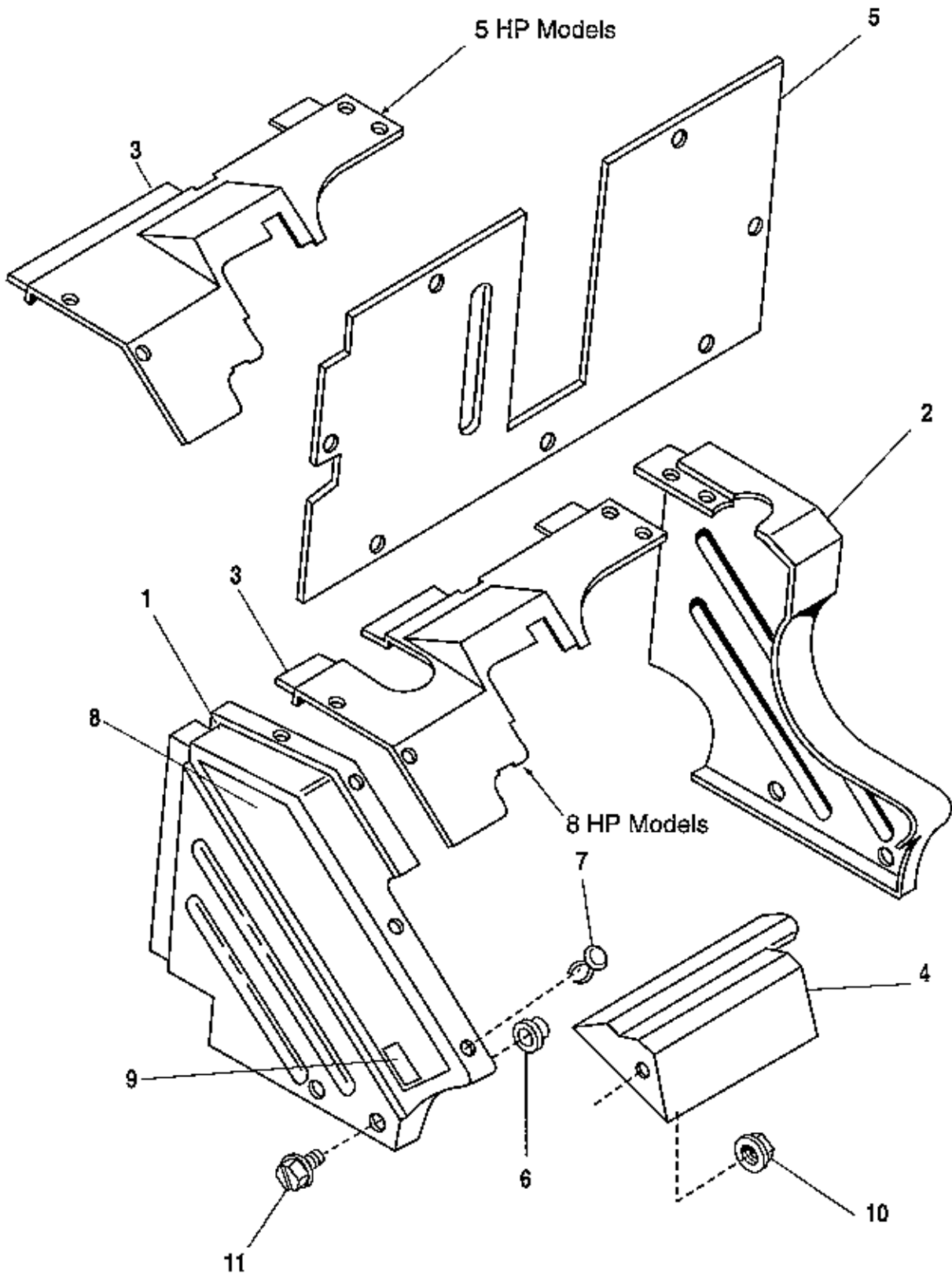
Note 1: Brace ( Ref. No. 12) mounts on top of engine on 8 HP engine models, and below engine on 5 HP models.

Nozzle & Flap Assemblies

Ref. No.	Part No.	Qty.	Description
1	1709529	1	DECAL, Danger
2	1713921	1	BRACE
3	1713923	1	ROD, Flap
4	1713925	1	SHREDDER HOUSING ASSY.
5	1713927	1	NOZZLE, (Simplicity)
	1713928	1	NOZZLE, (Baker)
6	1713929	1	PLUG, Nozzle
7	1713930	1	FLAP ASSY.
8	1713934	2	CLAMP, Shaft
9	1714342	1	DECAL, Nozzle Opening
10	1714345	1	SPRING
11	1714348	1	SWITCH, Interlock N.C.
12	1919326	2	WASHER, 5/16
13	1919436	2	NUT, Nylock, 5/16- 18
14	1920263	1	WASHER, 5/16
15	1921221	2	CAPSCREW, Hex Hd., 5/16-18 x 1/2
16	1921332	1	CAPSCREW, Hex, Hd., 5/16-18 x 3/4
17	1930416	4	SCREW, Taptite, #10-32 x 3/8
18	1931277	2	NUT, Serrated, Flange Lock, 5/16-18
19	1932718	2	PUSH NUT, 5/16
20	1935048	5	NUT, Hex, Flange Lock, 5/16-18
21	2005612	1	GOGGLES
22	6005100	2	CAPSCREW, Hex, Socket Hd., 5/16-18 x 1/2

Ref. No. 1



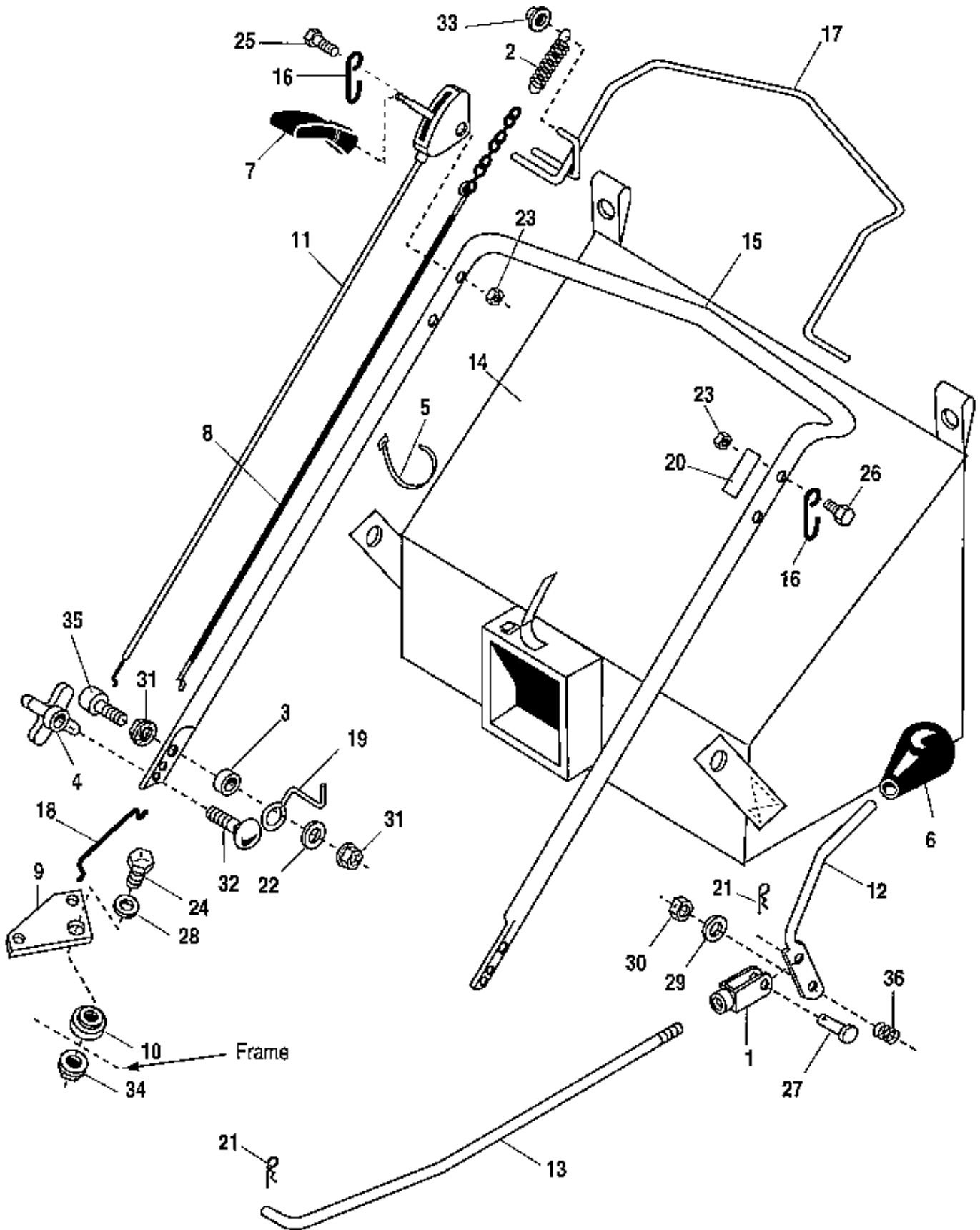


**All Models**

**Housing Group**

---

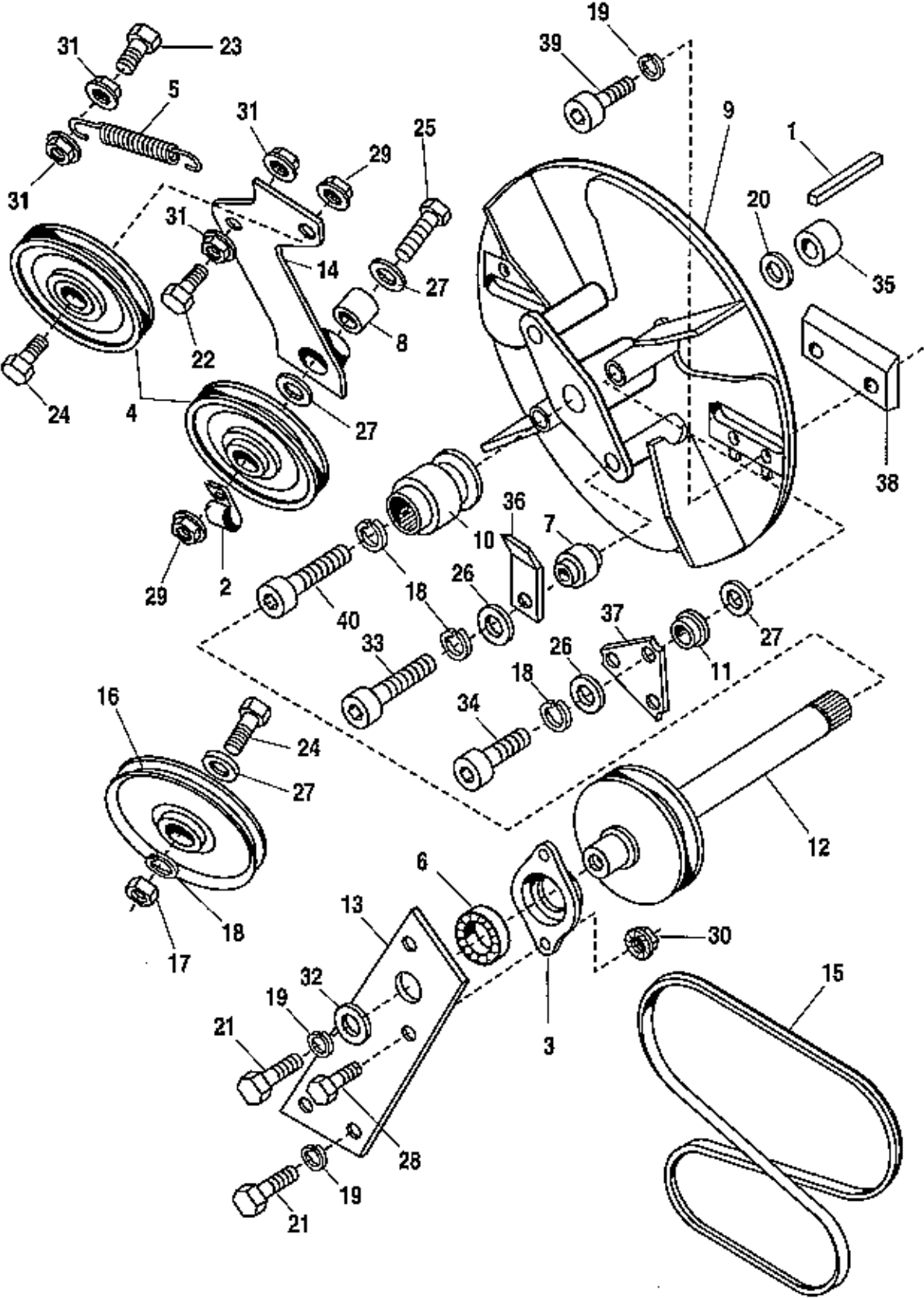
<b>Ref. No.</b>	<b>Part No.</b>	<b>Qty.</b>	<b>Description</b>
1	1714133	1	COVER, R.H.
2	1714134	1	COVER, L.H.
3	1714232	1	COVER, Top (8 HP models only)
	1714135	1	COVER, Top (5 HP models only)
4	1714136	1	COVER, Bottom
5	1714166	1	COVER, Rear
6	1714205	4	GROMMET, Front Mount
7	1714206	14	FASTENER, Panel
8	1714225	1	DECAL (Simplicity 525)
	1714226	1	DECAL (Baker 525)
	1714227	1	DECAL (Simplicity 825)
	1714228	1	DECAL (Baker 825)
9	1714229	1	DECAL, Electric Start
10	1935048	1	NUT, Hex, Flange Lock, 5/16-18
11	1960001	4	SCREW, Plastite, #10-14 x 5/8



**All Models****Handles & Controls Group**

---

<b>Ref. No.</b>	<b>Part No.</b>	<b>Qty.</b>	<b>Description</b>
1	108157	1	CLEVIS
2	118495	1	SPRING
3	1665889	2	SPACER
4	1670578	2	KNOB, Handle
5	1701011	2	TIE, Self-locking
6	1713843	1	KNOB, Handle, Height Adjustment
7	1713846	1	HANDLE, Shift Control
8	1713914	1	CABLE, Traction
9	1713915	1	BELLCRANK
10	1713916	1	SPACER, Pivot
11	1713917	1	CABLE, Shift Control
12	1713919	1	HANDLE, Height Adjustment
13	1713920	1	ROD
14	1713940	1	BAG
15	1713941	1	HANDLE
16	1713942	2	HOOK, Bag
17	1713943	1	BAIL ASSY.
18	1713944	1	LINK, Traction
19	1713953	1	GUIDE, Cable
20	1714451	1	DECAL, Clutch Bail
21	1918196	2	PIN, Quick
22	1919326	1	WASHER, 5/16
23	1920397	2	NUT, Hex Nylock, 1/4-20
24	1921333	1	CAPSCREW, Hex Hd., 5/16-18 x 1
25	1921963	1	CAPSCREW, Hex Hd., 1/4-20 x 2
26	1922837	1	CAPSCREW, Hex Hd., 1/4-20 x 1-1/2
27	1923087	1	PIN, Yoke
28	1924874	1	WASHER, 5/16
29	1924940	1	WASHER, 3/8
30	1930651	1	NUT, Center Lock, 3/8-16
31	1931277	4	NUT, Serrated, Flange, 5/16-18
32	1931333	2	CARRIAGE BOLT, 5/16-18 x 3/4
33	1932718	1	PUSH NUT, Pal, 5/16
34	1935048	1	NUT, Hex, Flange Lock, 5/16-18
35	1960539	2	CAPSCREW, Hex, Socket Hd., 5/16-18 x 1-3/4
36	8191047	1	SPRING

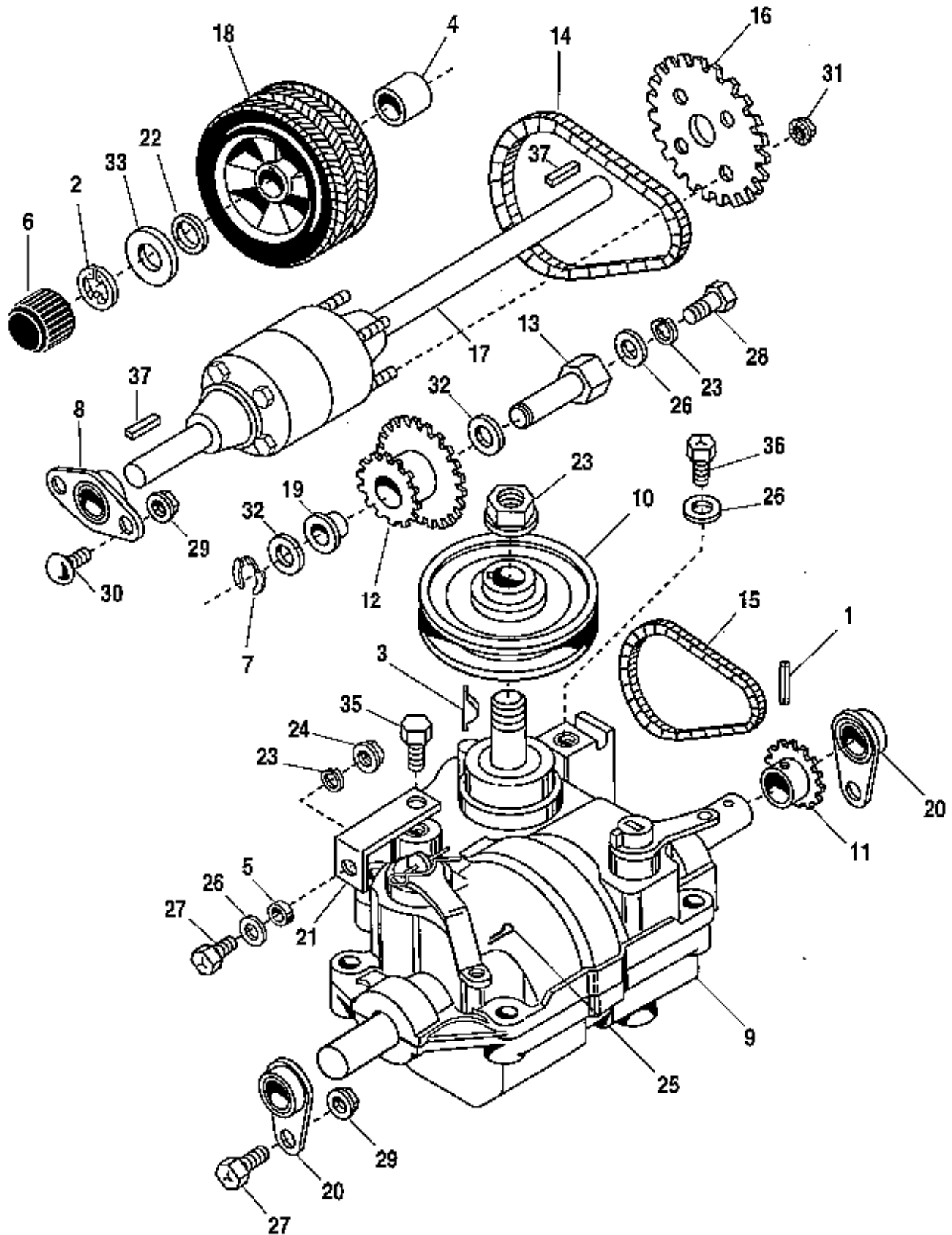




## All Models

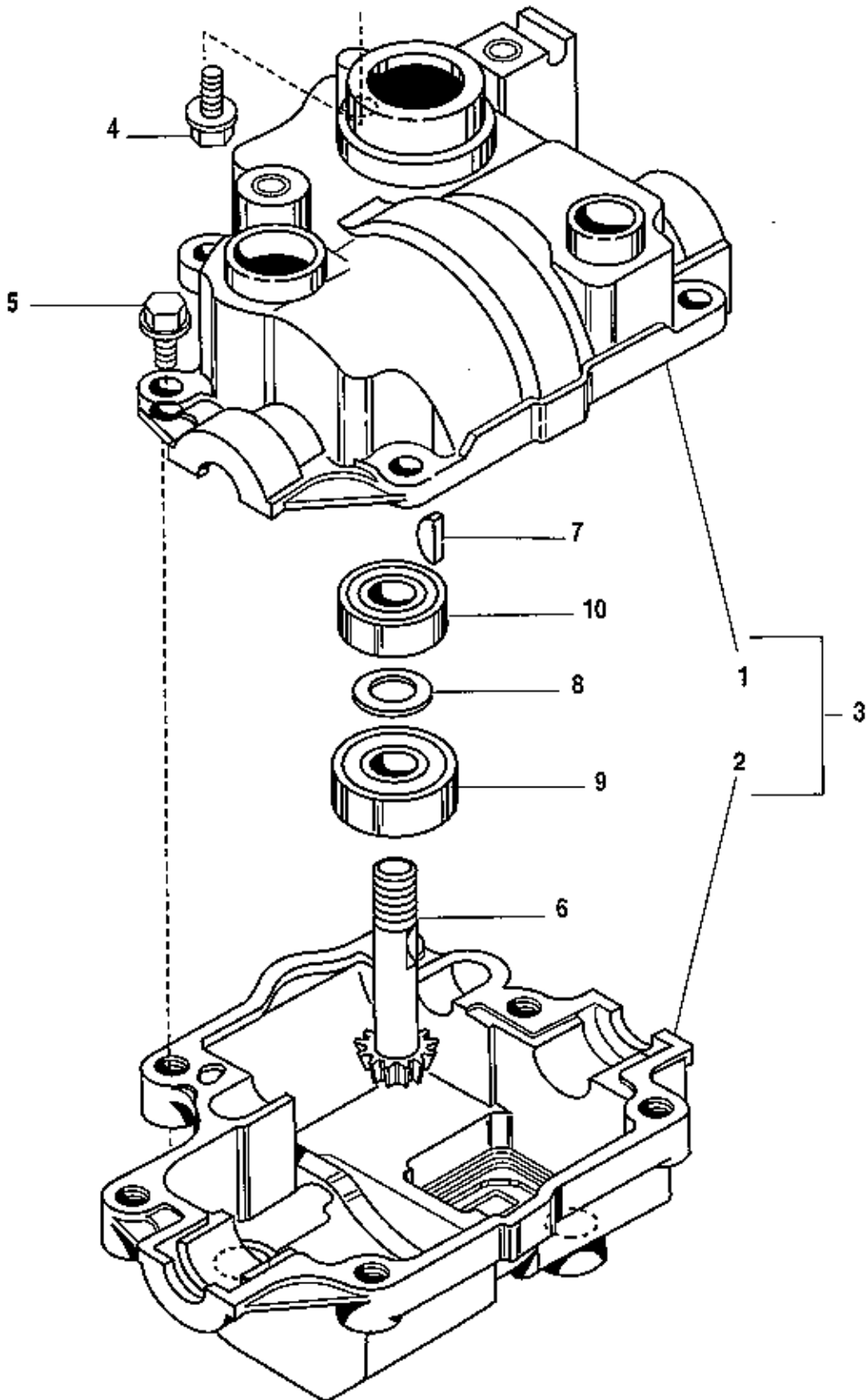
### Rotor Group

Ref. No.	Part No.	Qty.	Description
1	905100	1	KEY, 1/4 sq. x 2-1/4
2	926271	1	CLAMP, Cable
3	1667341	1	RETAINER, Bearing
4	1668827	2	IDLER PULLEY, "V"
5	1704442	1	SPRING
6	1705897	1	BALL BEARING
7	1709525	2	SPACER
8	1709614	1	SPACER, Tube
9	1713886	1	ROTOR ASSY.
10	1713890	1	HUB ASSY.
11	1713893	2	BUSHING, Flanged
12	1713894	1	SHAFT ASSY.
13	1713897	1	PLATE, Bearing
14	1713898	1	IDLER ARM ASSY.
15	1713901	1	"V"-BELT, 60"
16	1714092	1	IDLER PULLEY, Flat, 4"
17	1916950	1	NUT, Hex Hd., 3/8-16
18	1916965	4	LOCKWASHER, 3/8
19	1917356	7	LOCKWASHER, 5/16
20	1918267	1	WASHER (Used on 8 HP models only)
21	1921332	4	CAPSCREW, Hex Hd., 5/16-18 x 3/4
22	1921333	2	CAPSCREW, Hex Hd., 5/16-18 x 1
23	1921969	1	CAPSCREW, Hex Hd., 3/8-16 x 1-1/2
24	1921971	2	CAPSCREW, Hex Hd., 3/8-16 x 1-3/4
25	1921973	1	CAPSCREW, Hex Hd., 3/8-16 x 2-3/4
26	1922755	4	WASHER, 3/8
27	1924940	5	WASHER, Flat 3/8
28	1925205	2	CAPSCREW, Hex Hd., 5/16 -18 x 5/8
29	1930645	2	NUT, Hex, Flange "C" Lock, 3/8-16
30	1931277	2	NUT, Serrated, Flange Lock, 5/16-18
31	1931277	4	NUT, Hex, Flange Lock, 5/16-18
32	1960141	1	WASHER, 5/16
33	1960508	2	CAPSCREW, Hex, Socket Hd., 3/8-16 x 2
34	1960543	2	CAPSCREW, Hex, Socket Hd., 3/8-16 x 1-1/4
35	3299100	1	SPACER (Used on 5 HP models only)
36	3307100	2	"J" HAMMER
37	3307612	2	HAMMER, Triangle
38	3315612	2	KNIFE, Chipper
39	6005612	4	CAPSCREW, Hex, Socket Hd., 5/16 x 5/8
40	6516100	1	CAPSCREW, Hex, Socket Hd., 3/8-24 x 2



**All Models****Transmission & Rear Wheels Group**

<b>Ref. No.</b>	<b>Part No.</b>	<b>Qty.</b>	<b>Description</b>
1	916001	1	PIN, Spring, 3/16 x 1
2	927794	2	RETAINER RING, External "E", #75
3	960397	1	KEY, Hi-Pro, 1/8 x 1/2
4	1663180	2	SPACER
5	1665844	1	SPACER
6	1673333	2	HUBCAP, Rear Wheel
7	1708554	1	KLIP RING, 3/8
8	1712345	2	BEARING, Flanged
9	1713838	1	TRANSMISSION
10	1713902	1	PULLEY ASSY.
11	1713905	1	SPROCKET, 10T
12	1713906	1	SPROCKET, Idler
13	1713909	1	SHAFT, Sprocket
14	1713910	1	CHAIN, 60 Pitch
15	1713911	1	CHAIN, 29 Pitch
16	1713912	1	SPROCKET, 54T
17	1713913	1	DIFFERENTIAL, Axle
18	1713937	2	WHEEL, Rear, 10 x 3.5
19	1714139	2	BUSHING, Bronze, Flange, 3/8
20	1714202	2	BALL BUSHING ASSY.
21	1714397	1	STRAP, Torque
22	1911386	2	WASHER, 3/4
23	1917356	2	LOCKWASHER 5/16
24	1917372	1	NUT, Hex Hd., 5/16-18
25	1918451	1	COTTER PIN, 1/8 x 3/4
26	1919381	3	WASHER, 5/16
27	1921332	3	CAPSCREW, Hex Hd, 5/16-18 x 3/4
28	1923325	1	CAPSCREW, 5/16-18 x 7/8
29	1931277	6	NUT, Hex, Flange Lock, 5/16-18
30	1931333	4	CARRIAGE BOLT, 5/16-18 x 3/4
31	1935048	4	NUT, Flange Lock, 5/16 -18
32	1960103	2	WASHER, 3/8
33	1960202	2	WASHER, 3/4
34	1960314	1	NUT, Lock, M10
35	1960541	1	SCREW, Taptite 5/16-18 x 3/4
36	1960541	1	SCREW, Taptite, 5/16-18 x 3/4
37	8221042	2	KEY, 3/16 sq. x 1-1/2



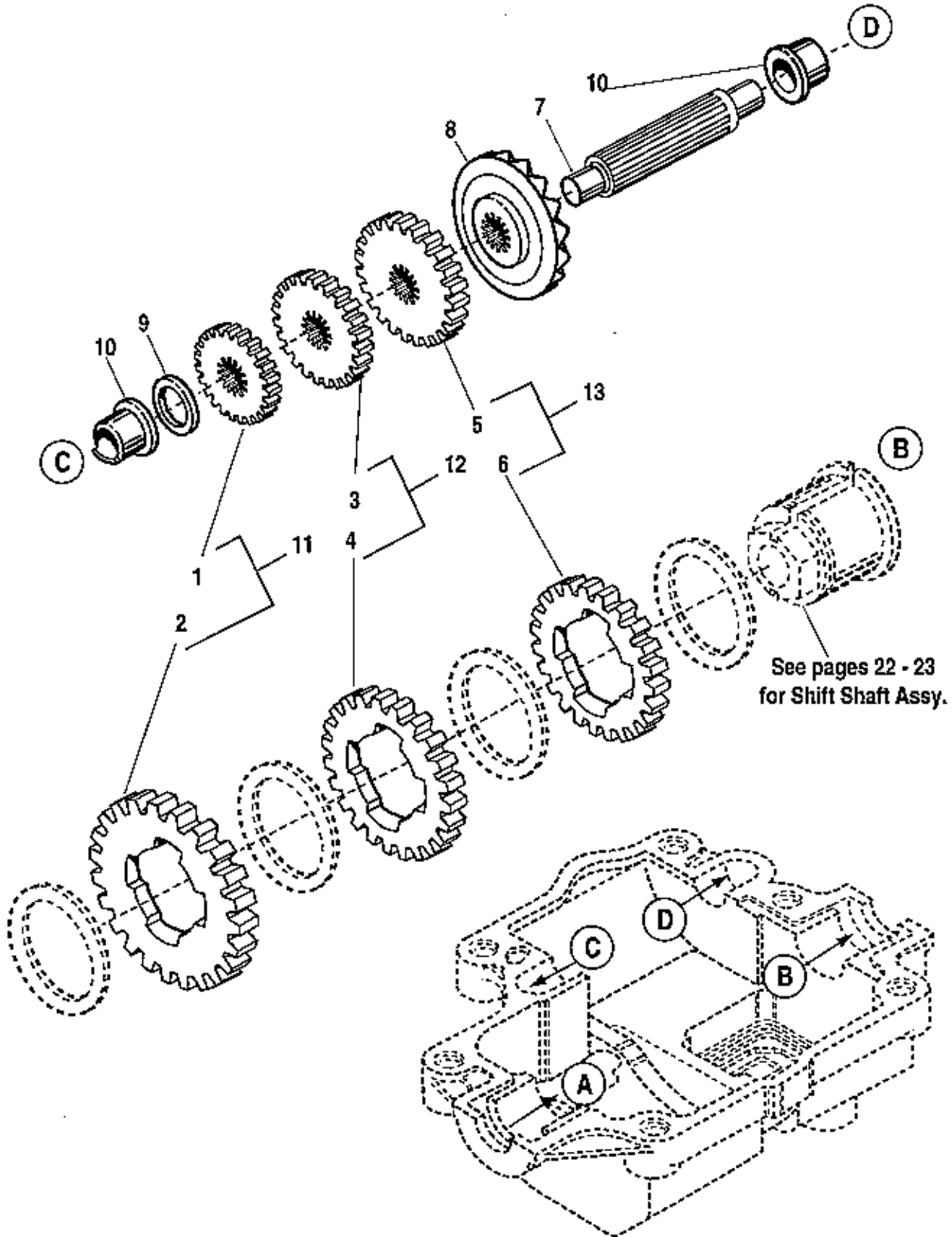
**All Models**

**Transmission: Case & Input Shaft**

---

<b>Ref. No.</b>	<b>Part No.</b>	<b>Qty.</b>	<b>Description</b>
1		1	CASE, Upper (See Ref. No. 3)
2		1	CASE, Lower (See Ref. No. 3)
3	1714653	1	TRANSMISSION CASE KIT
4	1714654	1	SCREW, Self-tapping
5	1714655	6	SCREW, Self-tapping
6	1714656	1	SHAFT, Input
7	1714657	1	WOODRUFF KEY
8	1714658	1	WASHER
9	1714659	1	BALL BEARING
10	1714660	1	BALL BEARING

**Transmission: Reduction Shaft Assembly**

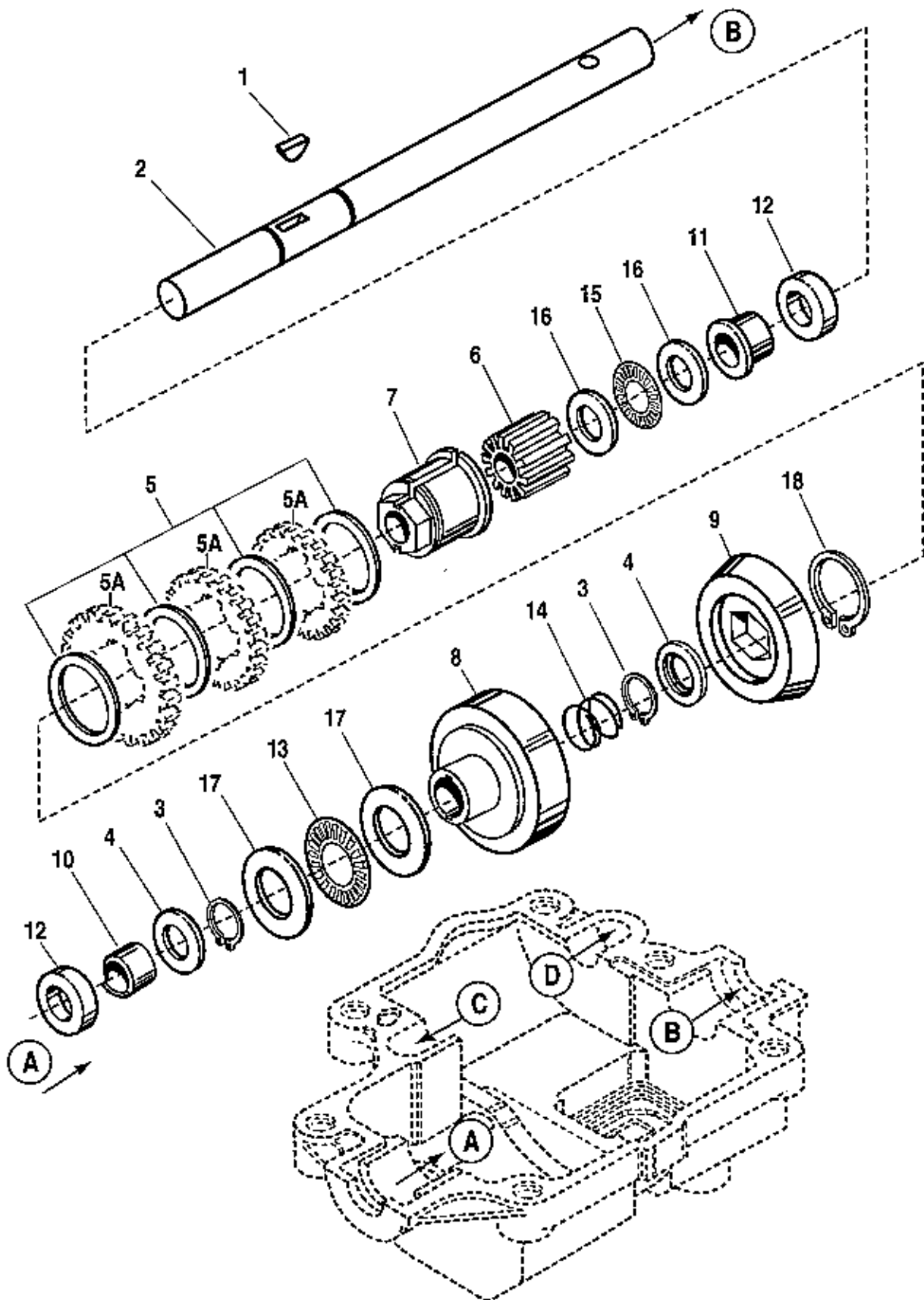


**All Models**

**Transmission: Reduction Shaft Assembly**

---

<b>Ref. No.</b>	<b>Part No.</b>	<b>Qty.</b>	<b>Description</b>
1		1	GEAR (See Ref. No. 11)
2		1	GEAR (See Ref. No. 11)
3		1	GEAR (See Ref. No. 12)
4		1	GEAR (See Ref. No. 12)
5		1	GEAR (See Ref. No. 13)
6		1	GEAR (See Ref. No. 13)
7	1714661	1	SHAFT, Reduction
8	1714662	1	RING GEAR
9	1714663	1	WASHER
10	1714664	1	BUSHING SET (not available individually)
11	1714665	1	GEAR SET (Incl. Ref. Nos. 1 & 2)
12	1714666	1	GEAR SET (Incl. Ref. Nos. 3 & 4)
13	1714667	1	GEAR SET (Incl. Ref. Nos. 5 & 6)





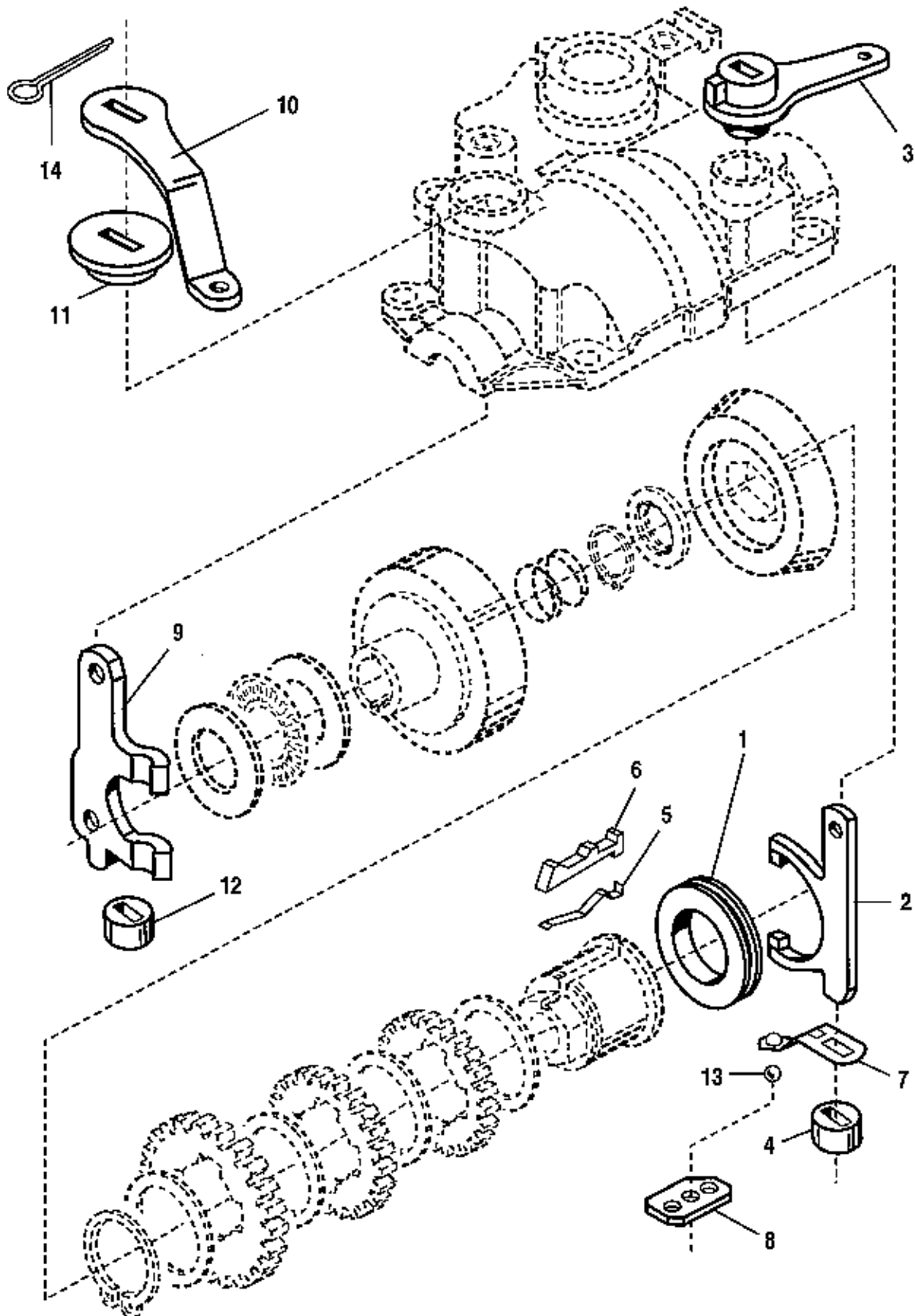
## All Models

### Transmission: Shift Shaft Assembly

---

Ref. No.	Part No.	Qty.	Description
1	1714657	1	KEY, Woodruff
2	1714668	1	AXLE, Shaft
3	1714669	2	RING
4	1714670	2	WASHER, Retainer
5	1714671	4	WASHER
5A	*	*	GEAR SET
6	1714672	1	SUPPORT, Key
7	1714673	1	COLLAR, Shift
8	1714674	1	CONE, Cave
9	1714675	1	CONE
10	1714676	1	BUSHING
11	1714677	1	BUSHING
12	1714678	2	SEAL
13	1714679	1	THRUST NEEDLE
14	1714680	1	SPRING, Return
15	1714681	1	THRUST NEEDLE
16	1714682	2	WASHER, Thrust
17	1714683	2	WASHER, Thrust
18	1714684	1	RING

\* Available in sets only. See Ref. Nos. 11, 12 & 13 on pages 20 & 21.

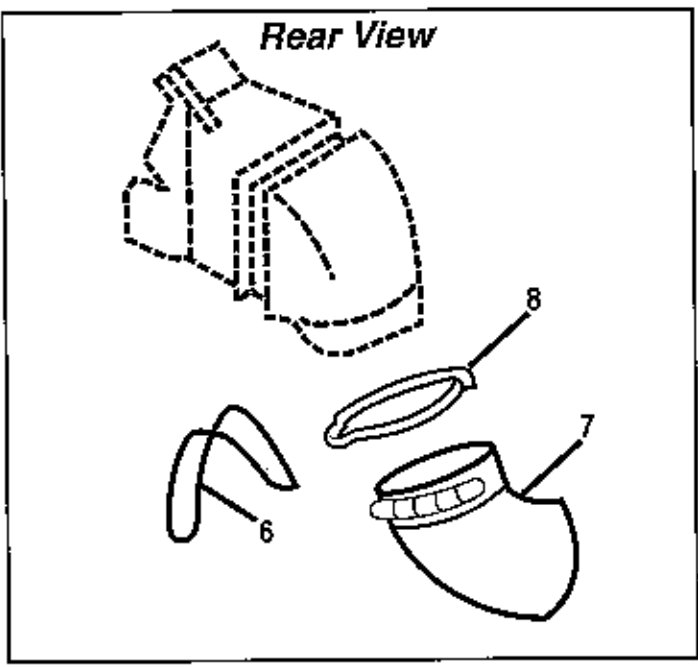
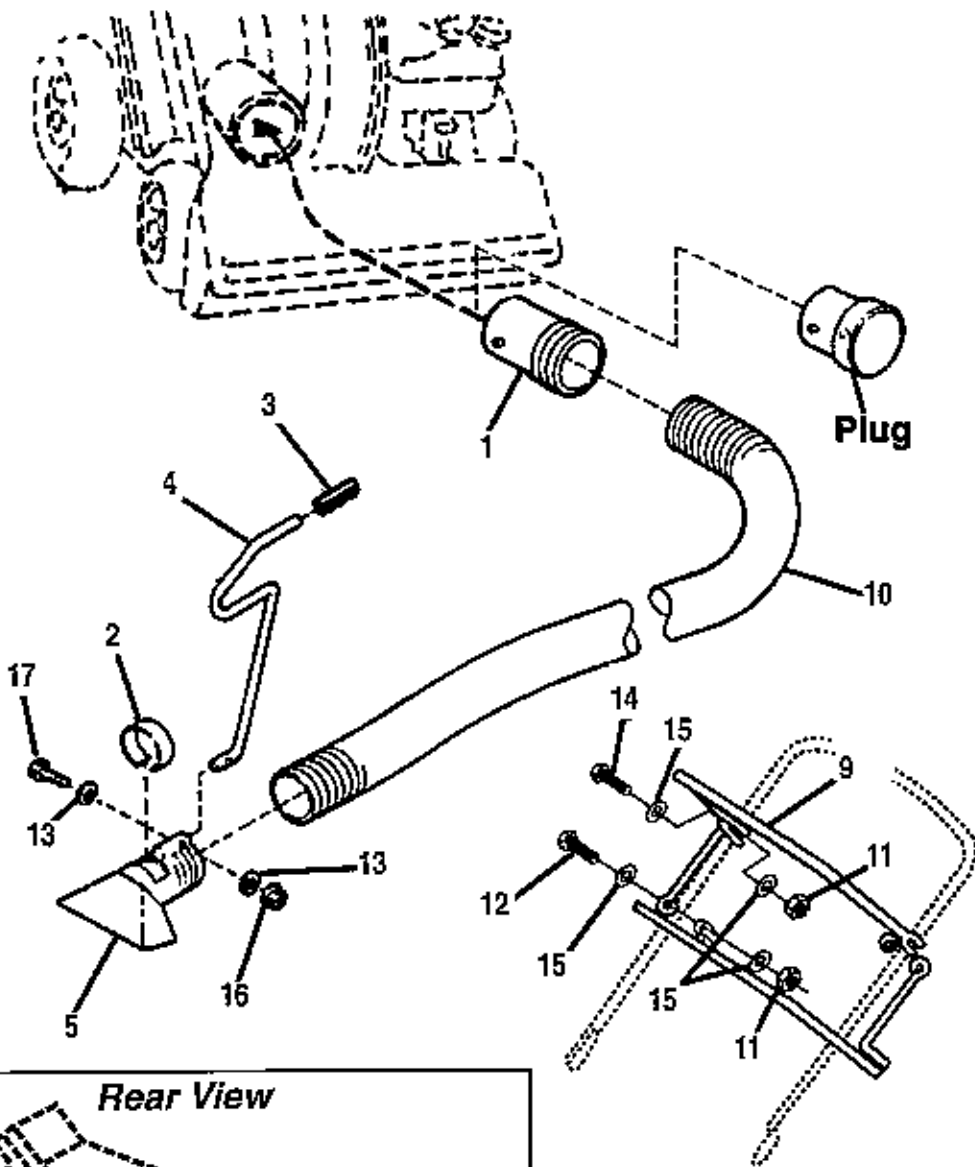


## All Models

### Transmission: Range Shift Assembly

---

Ref. No.	Part No.	Qty.	Description
1	1714685	1	COLLAR, Sliding
2	1714686	1	FORK, Shift
3	1714687	1	ARM, Shift
4	1714688	1	SUPPORT, Fork
5	1714689	2	SPRING, Shift
6	1714690	2	KEY, Shift
7	1714691	1	SPRING
8	1714692	1	PLATE
9	1714693	1	FORK, Clutch
10	1714694	1	ARM, Clutch
11	1714695	1	SUPPORT, Upper Clutch
12	1714696	1	SUPPORT, Fork
13	1714698	1	BALL, 1/8
14	1918451	1	PIN, Cotter



Vacuum Hose

---

Ref. No.	Part No.	Qty.	Description
1	1023100	1	COUPLER
2	1024100	1	RING, Plastic
3	1025100	1	GRIP
4	1026100	1	HANDLE
5	1030100	1	NOZZLE
6	1665872	1	STRAP, Rubber
7	1713871	1	ELBOW
8	1714341	1	RING
9	1714357	2	HOSE CARRIER, Half
10	1714432	1	HOSE, 4" Diameter x 20' Long
11	1919438	6	NUT, Esna, 5/26-18
12	1921221	4	CAPSCREW, 5/16-18 x 1-1/2
13	1921319	2	WASHER
14	1921719	4	CAPSCREW, 5/16-18 x 2-1/2
15	1960044	12	WASHER
16	1960294	1	NUT, Whizlock, 1/4-20
17	6041612	1	SCREW, 14-20 x 1-1/2



**Notes**

---

**INDEX**

Part Number	Ref. No. & Page No.	Part Number	Ref. No. & Page No.	Part Number	Ref. No. & Page No.	Part Number	Ref. No. & Page No.
108157	1-13	1709614	8-15	1713934	8-9	1714357	9-27
118495	2-13	1712345	8-17	1713935	8-5	1714397	21-17
122023	1-7	1713272	2-3	1713936	9-5	1714432	10-27
174885	3-5	1713838	9-17	1713937	18-17	1714438	23-7
905100	1-15	1713843	6-13	1713940	14-13	1714451	20-13
916001	1-17	1713846	7-13	1713941	15-13	1714480	13-5
926271	2-15	1713864	3-3	1713942	16-13	1714653	3-19
927794	2-17	1713865	3-3	1713943	17-13	1714654	4-19
960361	22-3	1713866	4-3	1713944	18-13	1714655	5-19
960397	3-17	1713868	5-3	1713945	17-7	1714656	6-19
1023100	1-27	1713869	6-3	1713953	19-13	1714657	7-19
1024100	2-27	1713870	7-3	1714020	17A-7	1714657	1-23
1025100	3-27	1713871	7-27	1714031	18-7	1714658	8-19
1026100	4-27	1713872	8-3	1714032	10-5	1714659	9-19
1030100	5-27	1713873	5-5	1714033	9-3	1714660	10-19
1603618	2-7	1713884	6-5	1714034	11-5	1714661	7-21
1654930	3-7	1713885	7-5	1714054	19-7	1714662	8-21
1663180	4-17	1713886	9-15	1714055	20-7	1714663	9-21
1665237	4-7	1713890	10-15	1714063	21-7	1714664	10-21
1665238	5-7	1713893	11-15	1714085	10-3	1714665	11-21
1665844	5-17	1713894	12-15	1714090	11-3	1714666	12-21
1665872	6-7	1713897	13-15	1714091	11-3	1714667	13-21
1665872	6-27	1713898	14-15	1714092	16-15	1714668	2-23
1665889	3-13	1713901	15-15	1714093	22-7	1714669	3-23
1667341	3-15	1713902	10-17	1714133	1-11	1714670	4-23
1668827	4-15	1713905	11-17	1714134	2-11	1714671	5-23
1670578	4-13	1713906	12-17	1714135	3-11	1714672	6-23
1673333	6-17	1713909	13-17	1714136	4-11	1714673	7-23
1674792	7-7	1713910	14-17	1714139	19-17	1714674	8-23
1685215	8-7	1713911	15-17	1714166	5-11	1714675	9-23
1685290	9-7	1713912	16-17	1714202	20-17	1714676	10-23
1686637	10-7	1713913	17-17	1714205	6-11	1714677	11-23
1701011	5-13	1713914	8-13	1714206	7-11	1714678	12-23
1701841	11-7	1713915	9-13	1714224	8-11	1714679	13-23
1704366	12-7	1713916	10-13	1714225	8-11	1714680	14-23
1704389	13-7	1713917	11-13	1714226	8-11	1714681	15-23
1704420	4-5	1713919	12-13	1714228	8-11	1714682	16-23
1704442	5-15	1713920	13-13	1714229	9-11	1714683	17-23
1705897	6-15	1713921	2-9	1714232	3-11	1714684	18-23
1707056	14-7	1713923	3-9	1714341	8-27	1714685	1-25
1707056	15-7	1713925	4-9	1714342	9-9	1714686	2-25
1708554	7-17	1713927	5-9	1714343	12-5	1714687	3-25
1709086	16-7	1713928	5-9	1714344	12-3	1714688	4-25
1709525	7-15	1713929	6-9	1714345	10-9	1714689	5-25
1709529	1-9	1713930	7-9	1714348	11-9	1714690	6-25






# INDEX

Part Number	Ref. No. & Page No.	Part Number	Ref. No. & Page No.	Part Number	Ref. No. & Page No.	Part Number	Ref. No. & Page No.
1714691	7-25	1920283	14-9	1924940	27-15	1960044	15-27
1714692	8-25	1920397	23-13	1925205	28-15	1960103	32-17
1714693	9-25	1921221	15-9	1928635	19-3	1960112	33-7
1714694	10-25	1921221	12-27	1928635	22-3	1960141	32-15
1714695	11-25	1921319	15-3	1930416	17-9	1960151	23-3
1714696	12-25	1921319	13-27	1930642	20-3	1960202	33-17
1714697	13-25	1921332	16-3	1930642	31-7	1960294	16-27
1714698	14-25	1921332	14-5	1930645	29-15	1960314	34-17
1911386	22-17	1921332	28-7	1930651	30-13	1960339	34-7
1916622	24-7	1921332	16-9	1931277	21-3	1960507	24-3
1916950	17-15	1921332	21-15	1931277	15-5	1960508	33-15
1916964	25-7	1921332	27-17	1931277	32-7	1960537	17-5
1916965	18-15	1921333	17-3	1931277	18-9	1960539	35-13
1917356	13-3	1921333	24-13	1931277	31-13	1960541	35-17
1917356	26-7	1921333	22-15	1931277	30-15	1960541	36-17
1917356	19-15	1921515	18-3	1931277	31-15	1960543	34-15
1917356	23-17	1921719	14-27	1931277	29-17	2005612	21-9
1917372	24-17	1921963	25-13	1931333	32-13	3299100	35-15
1918196	21-13	1921969	23-15	1931333	30-17	3307100	36-15
1918267	20-15	1921971	24-15	1931648	30-7	3307612	37-15
1918451	25-17	1921973	25-15	1932718	19-9	3315612	38-15
1919326	14-3	1922755	26-15	1932718	33-13	5001612	25-3
1919326	12-9	1922837	26-13	1935048	20-9	5001612	18-5
1919326	22-13	1923087	27-13	1935048	10-11	6005100	22-9
1919381	26-17	1923325	28-17	1935048	34-13	6005612	39-15
1919438	13-9	1923341	29-7	1935048	31-17	6041612	17-27
1919438	11-27	1924874	28-13	1960001	11-11	6516100	40-15
1920263	27-7	1924940	29-13	1960020	16-5	8191047	36-13
						8221042	37-17



**TORQUE SPECIFICATIONS FOR  
STANDARD MACHINE HARDWARE  
TOLERANCE ±20%**

SIZE	SAE GRADE #2 		SAE GRADE #5 		SAE GRADE #8 	
	<u>In./Lbs.</u> Ft./Lbs.	Nm.	<u>In./Lbs.</u> Ft./Lbs.	Nm.	<u>In./Lbs.</u> Ft./Lbs.	Nm.
8-32	19	2.1	30	3.4	41	4.6
8-36	20	2.3	31	3.5	43	4.9
10-24	27	3.1	43	4.9	60	6.8
10-32	31	3.5	49	5.5	68	7.7
1/4-20	66	7.6	8	10.9	12	16.3
1/4-28	76	8.6	10	13.6	14	19.
5/16-18	11	15.	17	23.1	25	34.
5/16-24	12	16.3	19	25.8	25	34.
3/8-16	20	27.2	30	40.8	45	61.2
3/8-24	23	31.3	35	47.6	50	68.
7/16-14	30	40.8	50	68.	70	95.2
7/16-20	35	47.6	55	74.8	80	108.8
1/2-13	50	68.	75	102.	110	149.6
1/2-20	55	74.8	90	122.4	120	163.2
9/16-12	65	88.4	110	149.6	150	204.
9/16-18	75	102.	120	163.2	170	231.2
5/8-11	90	122.4	150	204.	220	299.2
5/8-18	100	136.	180	244.8	240	326.4
3/4-10	160	217.6	260	353.6	386	525.
3/4-16	180	244.8	300	408.	420	571.2
7/8-9	140	190.4	400	544.	600	816.
7/8-14	155	210.8	440	598.4	660	897.6
1-8	220	299.2	580	788.8	900	1,224.
1-12	240	326.4	640	870.4	1,000	1,360.

**NOTE:**

- These torque values are to be used for all hardware excluding: locknuts, self-tapping screws, thread forming screws, sheet metal screws and socket head setscrews.
- Recommended seating torque values for locknuts:
  - For prevailing torque locknuts - use 65% of grade 5 torques.
  - For flange whizlock nuts (and screws) - use 135% of grade 5 torques.
- Unless otherwise noted on assembly drawings all torque values must meet this specification.

**BOLT HEAD MARKING  
S.A.E. GRADE:**



**Baker**<sup>™</sup>

500 N. Spring Street, P.O. Box 997 • Port Washington, WI 53074-0997

TP-1393  
Printed In USA  
10/94

## Free Manuals Download Website

<http://myh66.com>

<http://usermanuals.us>

<http://www.somanuals.com>

<http://www.4manuals.cc>

<http://www.manual-lib.com>

<http://www.404manual.com>

<http://www.luxmanual.com>

<http://aubethermostatmanual.com>

Golf course search by state

<http://golfingnear.com>

Email search by domain

<http://emailbydomain.com>

Auto manuals search

<http://auto.somanuals.com>

TV manuals search

<http://tv.somanuals.com>