

Parts Manual for

SNAPPER®

SHREDDER GRINDER CHIPPER
SERIES 0



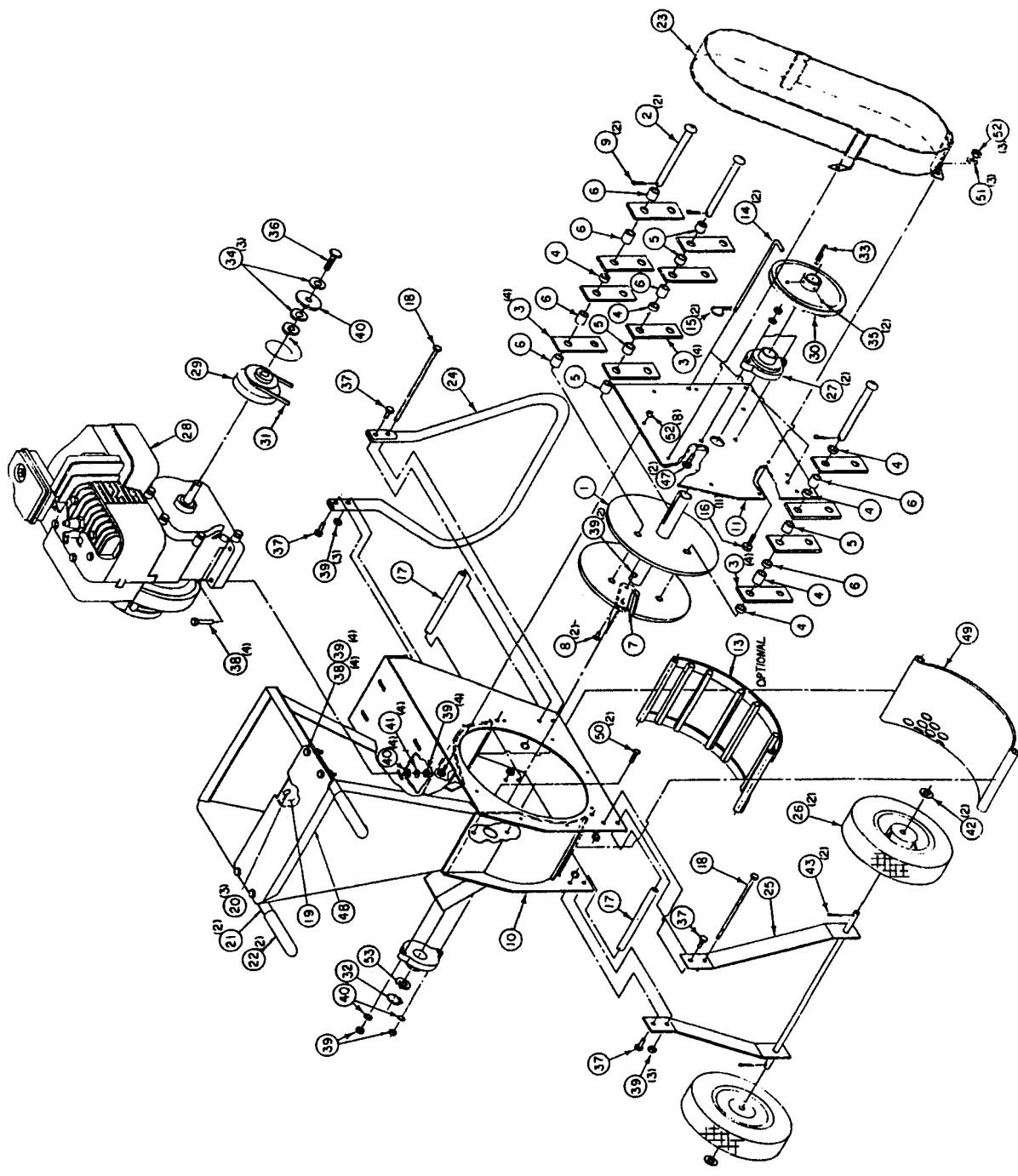
MODEL
SG3000

PARTS FOR THIS MACHINE MUST BE ORDERED FROM:
1189 Old Schuylkill Road * P.O. Box 111 * Parker Ford, PA 19457-0111
Phone: (610) 495-7181 or (800) 348-1117, Fax: (610) 495-5951

SNAPPER®McDonough, GA., 30253 U.S.A.

COPYRIGHT © 1999
SNAPPER INC.
ALL RIGHTS RESERVED

MANUAL No. 0-6163 (I.R. 08/02/99)



PARTS LIST SG 3000 SHREDDER GRINDER

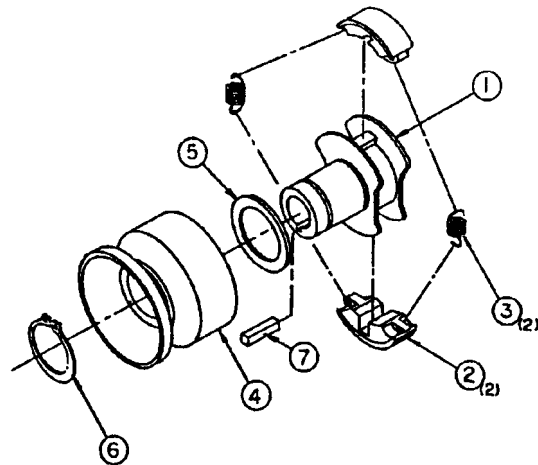
Item No.	Part No.	Description	Quantity
1	40843	Rotor Weldment	1
2	40844	Hammer Rod	3
3	40802	Hammer	12
4	40805	Spacer 5/16" LG	6
5	40804	Spacer 5/8" LG	5
6	40803	Spacer 7/8" LG	7
7	40847	Chipper Knife	1
8	40848	5/16-18 x 1" Flat Hd. Socket Cap Screw	2
9	40849	3/16" x 1-1/4" LG Cotter Pin	3
10	40750	Main Body Assembly	1
11	40842	Cover Plate	1
13	40845	Bar Screen	Optional
14	40846	Screen Rod	2
15	11773	Hair Cotter 3/32"	2
16	90072	1/4-20 x 5/8" Hex Hd. Cap Screw	11
17	40833	Pipe Spacer	2
18	40850	5/16-18 x 7-1/2" LG Hex Hd. Cap Screw	2
19	40834	Hopper Flex Guard	1
20	40801	Push Type Tie Button	2
21	40829	Handle	2
22	40800	Handle Grip	2
23	40798	Belt Guard	1
24	40835	Front Foot	1
25	40836	Axle Assembly	1
26	40830	8 x 1.75 Wheel	2
27	40821	Bearing	2
28	40837	3 HP Engine	1
29	40887	Centrifugal Clutch	1
30	40831	Sheave A550 x 1	1
31	40838	V-Belt 4L-390	1
32	40851	Retaining Ring	1
33	13250	Shaft Key 1/4" x 1"	1
34	40898	1/4" Split Lockwasher	3
35	90201	5/16-18 x 5/16" Set Screw	2
36	40899	1/4-28 x 3/4" Hex Hd. Cap Screw	1
37	76934	5/16-18 x 3/4" Hex Hd. Cap Screw	4
38	76935	5/16-18 x 1-1/2" Hex Hd. Cap Screw	8
39	90194	5/16-18 Grip-Co Lock Nut	18
40	90692	5/16" Flatwasher	10
41	90391	5/16" Internal Lockwasher	4
42	90705	1/2" Flatwasher	2
43	90042	1/8 x 1-1/4" Cotter Pin	2
47	90636	5/16-18 x 1" Hex Hd. Cap Screw	2
48	40839	Hopper Lid	1
49	40840	1" Screen	1
50	40852	5/16-18 x 1" Milled Hd. Cap Screw	2
51	90598	1/4" Flat Washer	3
52	40853	1/4-20 Flex Lock Nuts Cap Pltd.	11
53*	40825	1 1/2" O.D. x 1 1/64" I.D. x .050 Thk Shim	1

* A variety of shims with different thicknesses are available.

Parts Manual for

SNAPPER®

SG3000 SHREDDER GRINDER CHIPPER SERIES 0



CLUTCH PARTS LIST, 3/4" BORE - 3 HP & 5 HP ENGINES Complete Part 40887

Key No.	Part No.	Description	Quantity
1	40878	Hub Assembly	1
2	40879	Shoe	2
3	40880	Spring	2
4	40881	Drum Assembly	1
5	40792	Washer	1
6	40791	Retaining Ring	1
7	10061	Shaft Key	1

COPYRIGHT © 1999
SNAPPER INC.
ALL RIGHTS RESERVED

SNAPPER McDonough, GA., 30253 U.S.A.

Free Manuals Download Website

<http://myh66.com>

<http://usermanuals.us>

<http://www.somanuals.com>

<http://www.4manuals.cc>

<http://www.manual-lib.com>

<http://www.404manual.com>

<http://www.luxmanual.com>

<http://aubethermostatmanual.com>

Golf course search by state

<http://golfingnear.com>

Email search by domain

<http://emailbydomain.com>

Auto manuals search

<http://auto.somanuals.com>

TV manuals search

<http://tv.somanuals.com>